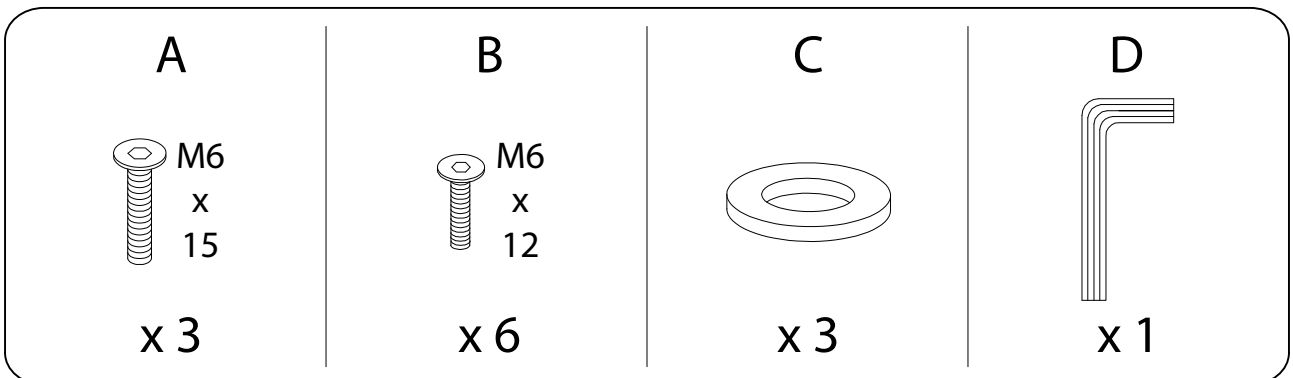
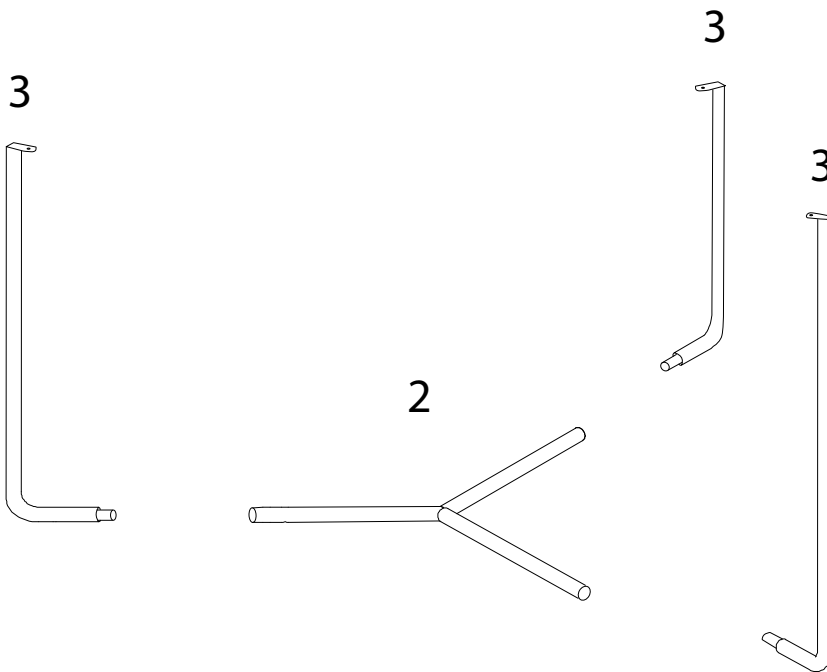
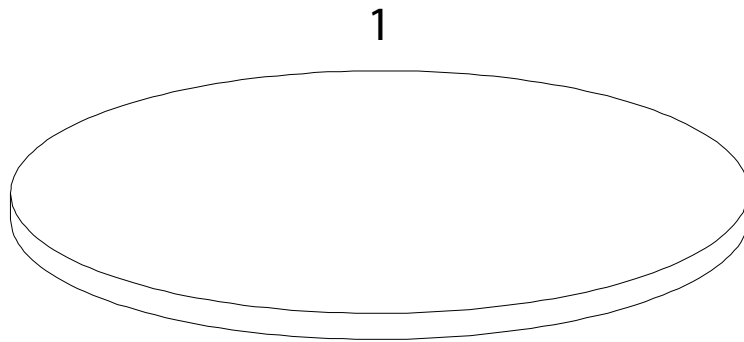
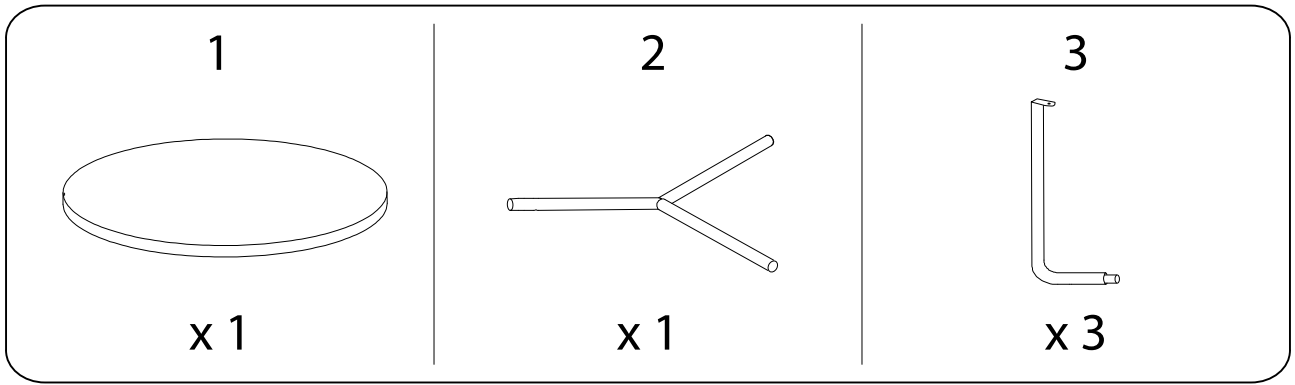
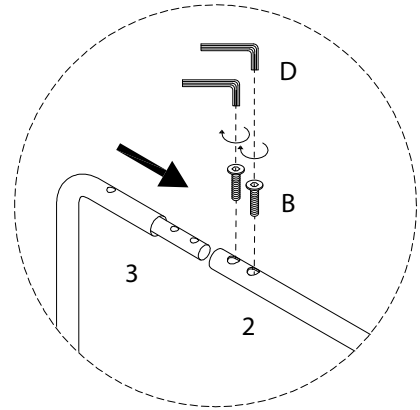
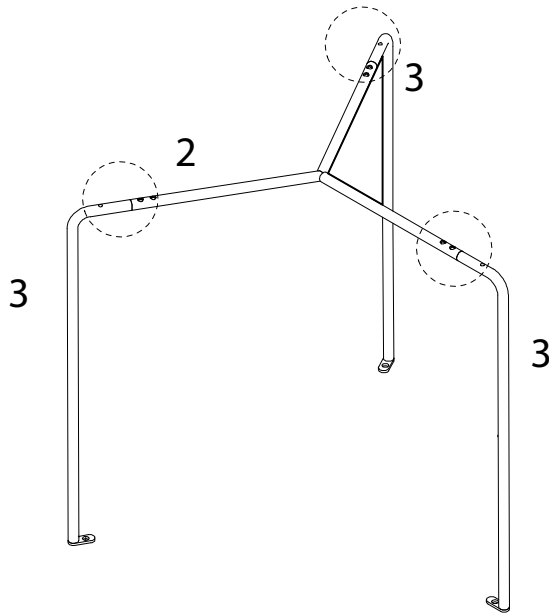
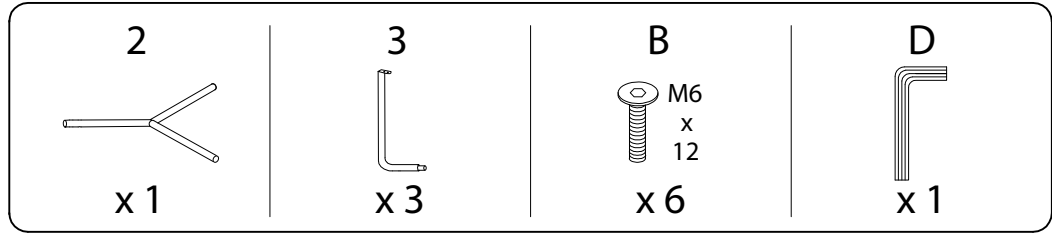


Diagram illustrating assembly instructions and safety warnings:

- Warning 1:** A warning triangle with an exclamation mark is positioned above a box containing:
  - An icon of an L-shaped metal bracket.
  - An icon of a power drill with a diagonal line through it, indicating that a power drill should not be used.
- Warning 2:** A second warning triangle with an exclamation mark is positioned above a box containing:
  - An icon of a rectangular block being placed on a textured surface.
  - An icon of a rectangular block with a diagonal line through it, indicating that the block should not be placed on a soft or uneven surface.
- Time:** A clock icon is shown next to the text "30'", indicating a 30-minute assembly time.
- Person:** An icon of a person is shown next to the number "1", indicating that one person is required for assembly.



1



2

