

ASSEMBLY INSTRUCTION

Thank you for purchasing this quality product. Be sure to check all packing material carefully for small parts which may have come loose inside the carton during shipment. Separate, identify and count all parts and hardware. Compare with the parts list to be sure all parts are present.

IMPORTANT : PLEASE READ INSTRUCTION BEFORE STARTING THE ASSEMBLY.

"DO NOT TIGHTEN SCREWS UNTIL COMPLETELY ASSEMBLED"

"DO NOT OVERTIGHT ANY HARDWARE"

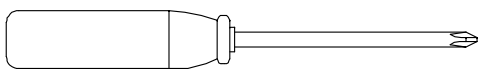
WARNING : SMALL PARTS AND HARDWARE NOT FOR CHILDREN UNDER 3 YEARS. ADULT ASSEMBLY REQUIRED.

TABLE OF CONTENTS

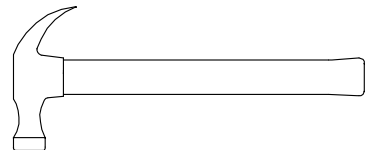
HARDWARES LIST	PAGE 2 - 3
PARTS LIST	PAGE 3 - 5
PARTS' LOCATION	PAGE 6
ASSEMBLY STEPS	PAGE 7 - 26
ASSEMBLY COMPLETED	PAGE 26
ANTI-TIPPING INSTALLMENT INSTRUCTIONS	PAGE 27
PAY ATTENTION ITEMS	PAGE 28

ASSEMBLY TOOLS REQUIRED

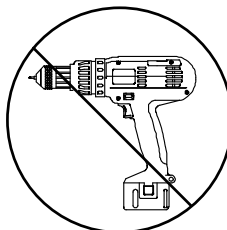
1. Screwdriver (not provide)



2. Hammer (not provide)




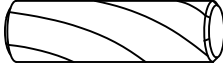
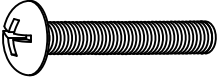
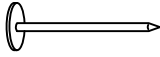
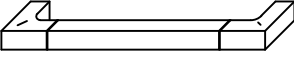
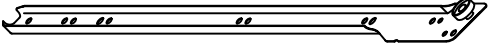
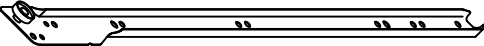


Skip the power drill this time.





ASSEMBLY INSTRUCTION

HARDWARES LIST

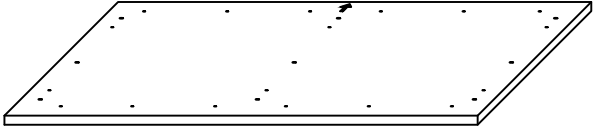
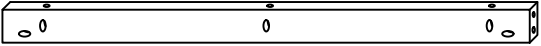
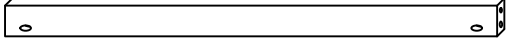
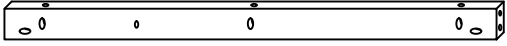
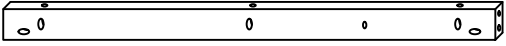
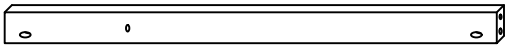
ITEM	DESCRIPTION	DRAWING	QTY
A	MINIFIX CAM LOCK		76 PCS
B	MINIFIX CAM BOLT		76 PCS
C	WOOD DOWEL (M8 x 25MM)		34 PCS
D	WOOD DOWEL (M6 x 25MM)		48 PCS
E	TRUSS M-SCREW (20MM)		12 PCS
F	6/8" NAIL		24 PCS
G	HANDLE		6 PCS
H	LEFT DRAWER SLIDE		6 PCS
I	RIGHT DRAWER SLIDE		6 PCS

ASSEMBLY INSTRUCTION

HARDWARES LIST

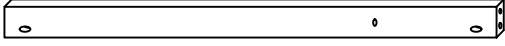
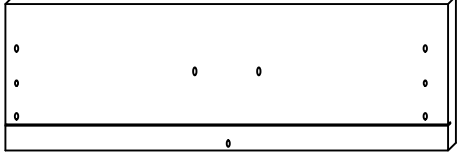
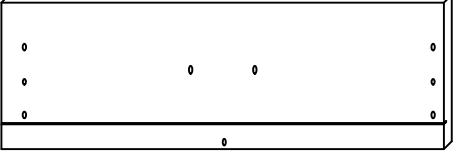
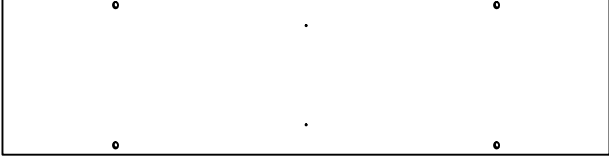
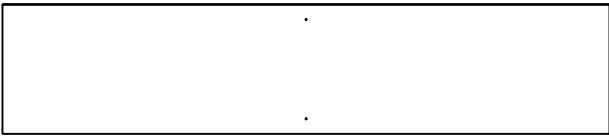
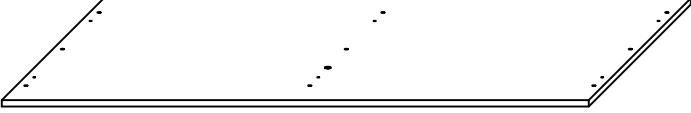
ITEM	DESCRIPTION	DRAWING	QTY
J	CSK SCREW M3 x 10mm		48 PCS
K	PLASTIC STRIP (H SHAPE)		1 PC

PARTS LIST (BOX 1)

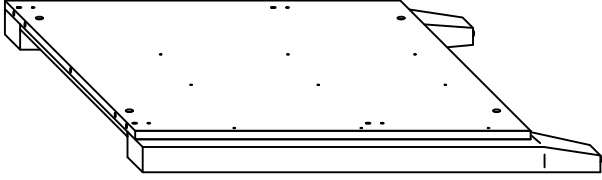

ITEM	DESCRIPTION	DRAWING	QTY
D1	TOP PANEL (WITH '↑' STICKER)		1 PC
D5	FRONT TOP SUPPORT RAIL		2 PCS
D6	FRONT CENTRE SUPPORT RAIL		2 PCS
D7	BACK TOP SUPPORT RAIL (L)		1 PC
D8	BACK TOP SUPPORT RAIL (R)		1 PC
D9	BACK CENTRE SUPPORT RAIL (L)		1 PC

ASSEMBLY INSTRUCTION

PARTS LIST (BOX 1)

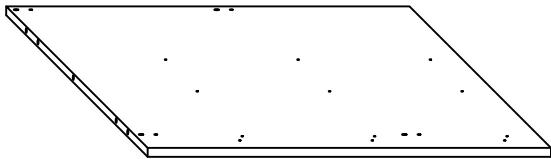
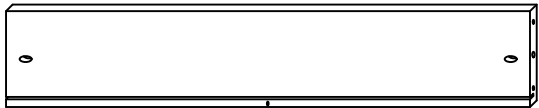

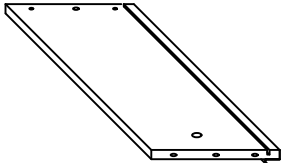
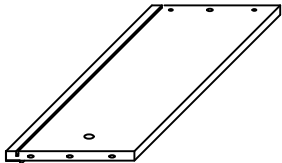
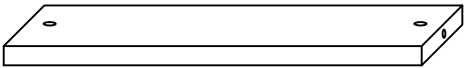
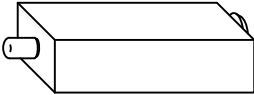
ITEM	DESCRIPTION	DRAWING	QTY
D10	BACK CENTRE SUPPORT RAIL (R)		1 PC
D14	LEFT DRAWER HEAD		3 PCS
D15	RIGHT DRAWER HEAD		3 PCS
D18A	UPPER BACK PANEL		1 PC
D18B	LOWER BACK PANEL		1 PC
D19	BOTTOM PANEL		1 PC

PARTS LIST (BOX 2)

ITEM	DESCRIPTION	DRAWING	QTY
D2	LEFT PANEL		1 PC
D3	RIGHT PANEL		1 PC

ASSEMBLY INSTRUCTION

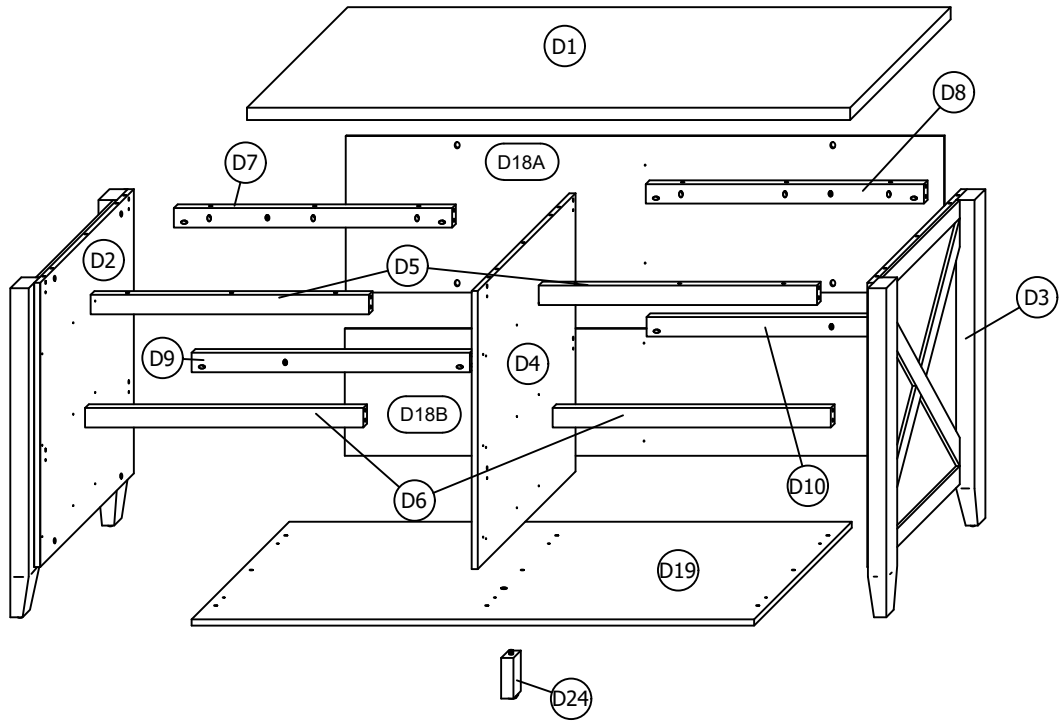
PARTS LIST (BOX 2)

ITEM	DESCRIPTION	DRAWING	QTY
D4	CENTRE PANEL		1 PC
D16	DRAWER BACK PANEL		6 PCS
D17	DRAWER BOTTOM PANEL		6 PCS
19	DRAWER LEFT PANEL		6 PCS
20	DRAWER RIGHT PANEL		6 PCS
21	DRAWER BOTTOM SUPPORT RAIL		6 PCS
D24	CENTRE SUPPORT LEG (WITH PLASTIC COVER)		1 PC

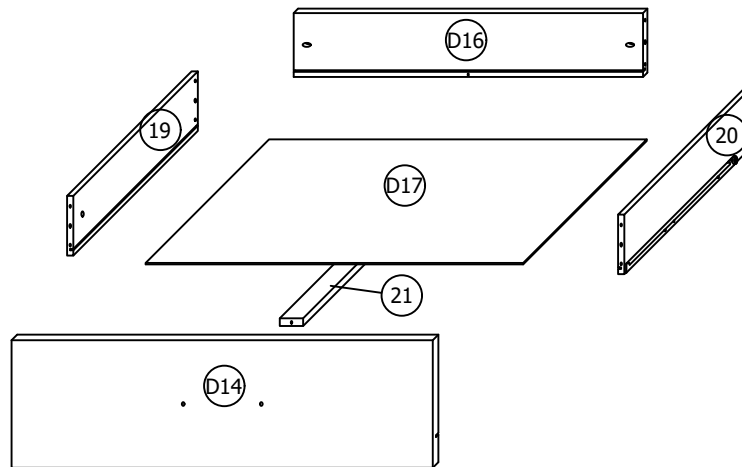
ASSEMBLY INSTRUCTION

PARTS ' LOCATION

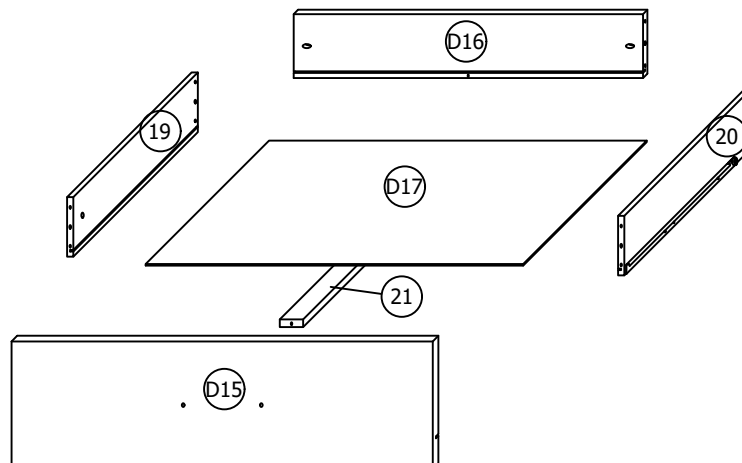
DRESSER x 1 PC



DRAWER x 3 PCS



DRAWER x 3 PCS

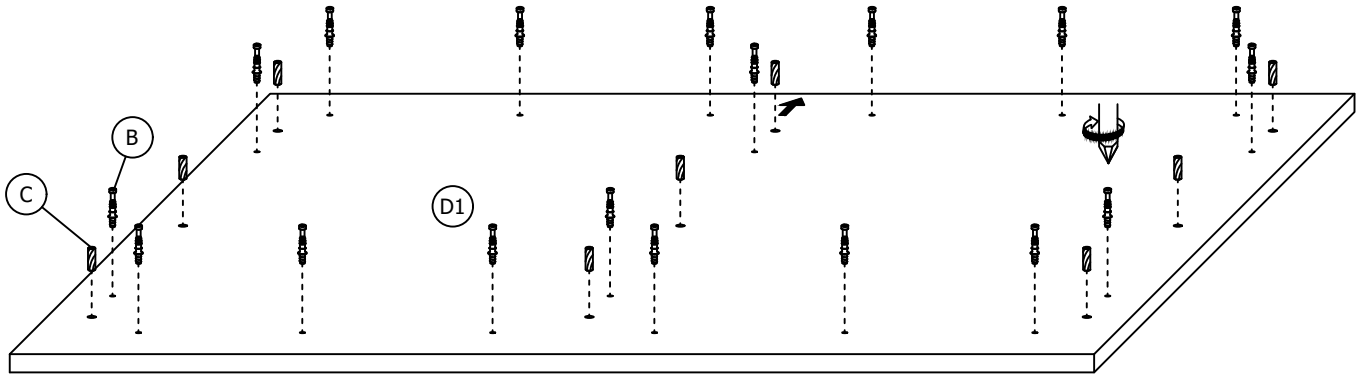


ASSEMBLY INSTRUCTION

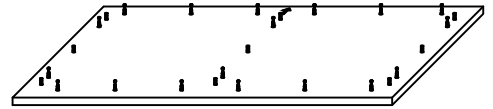
ASSEMBLY STEPS

STEP 1

Insert 18 pieces (B), 9 pieces (C) to (D1) as shown.

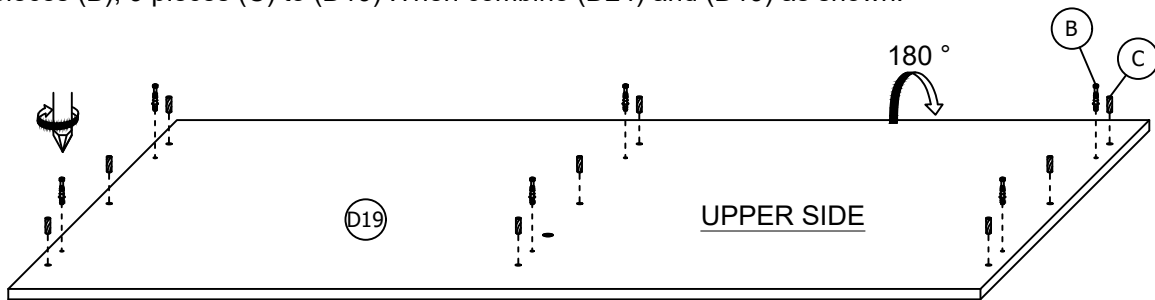


Assembled looks

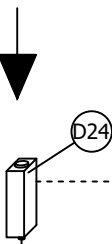
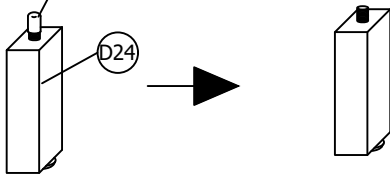


STEP 2

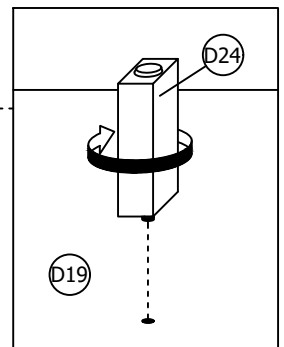
Insert 6 pieces (B), 9 pieces (C) to (D19). Then combine (D24) and (D19) as shown.



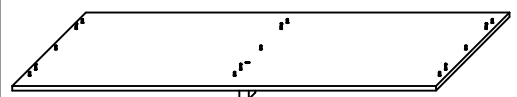
Take off this plastic cover before assembly



LOWER SIDE



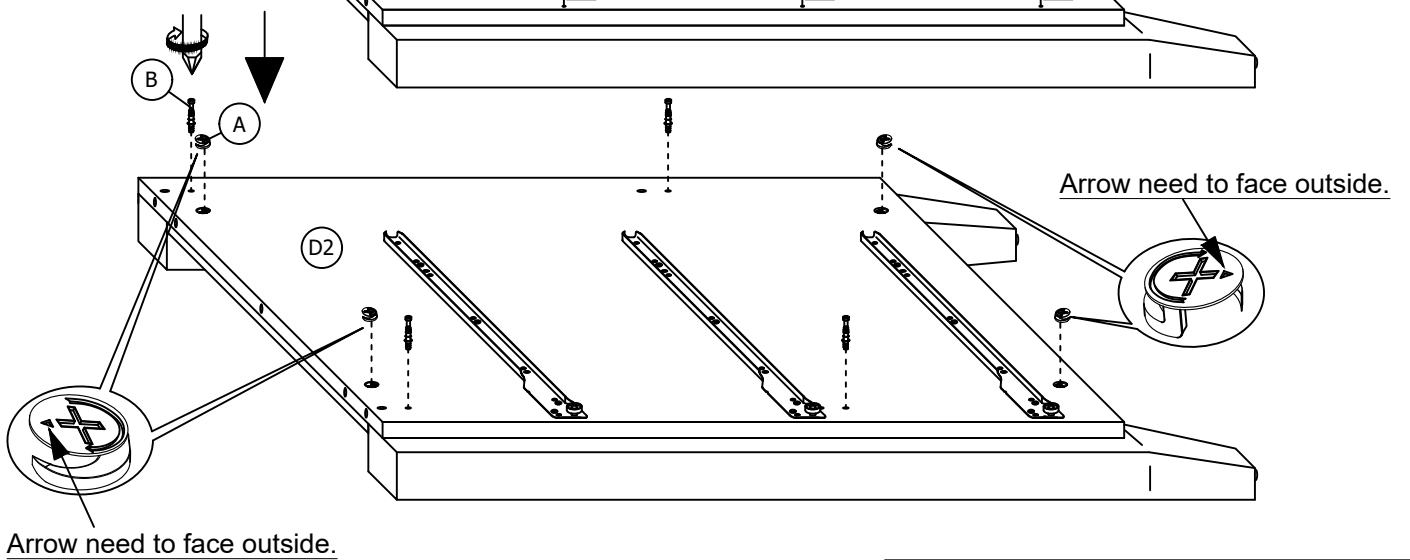
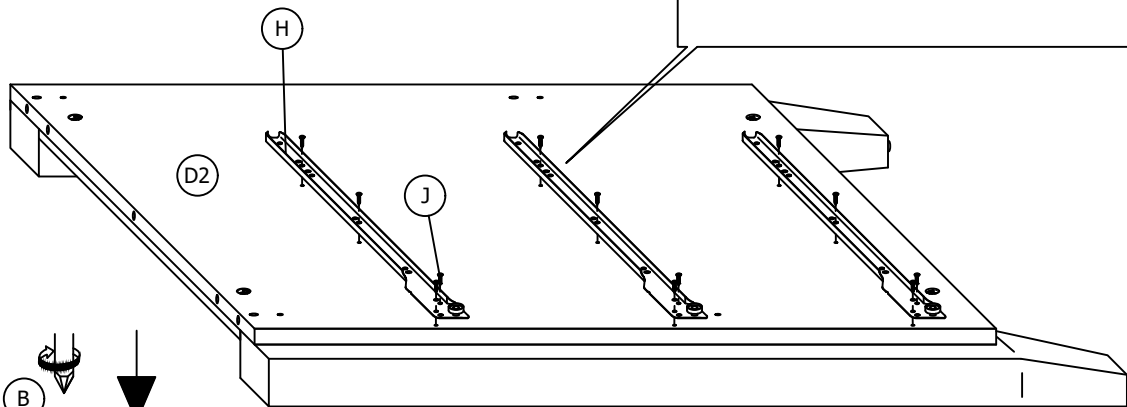
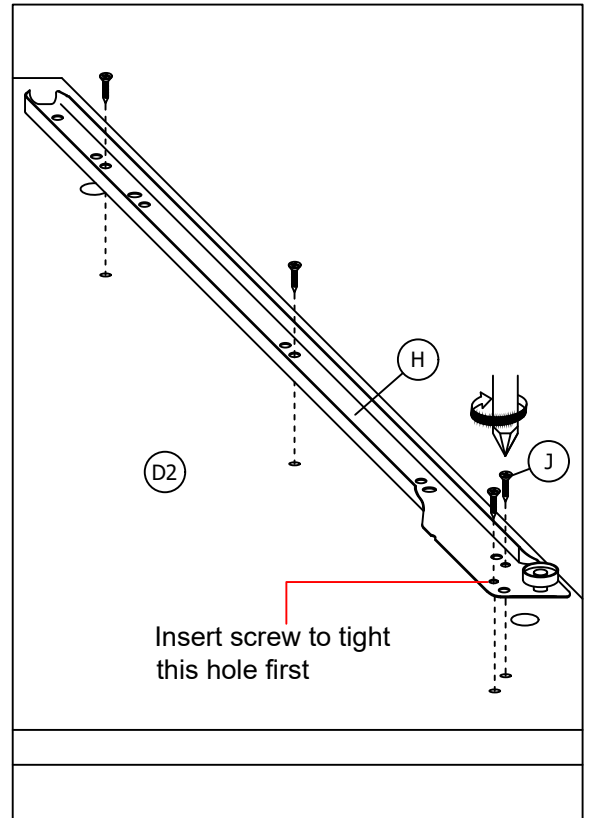
Assembled looks



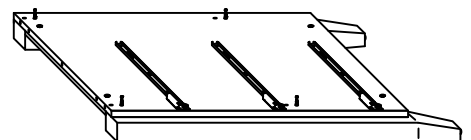
ASSEMBLY INSTRUCTION

STEP 3

Fix 3 pieces (H) to (D2) by using 12 pieces (J). Then insert 4 pieces (A),(B) to (D2) as shown.



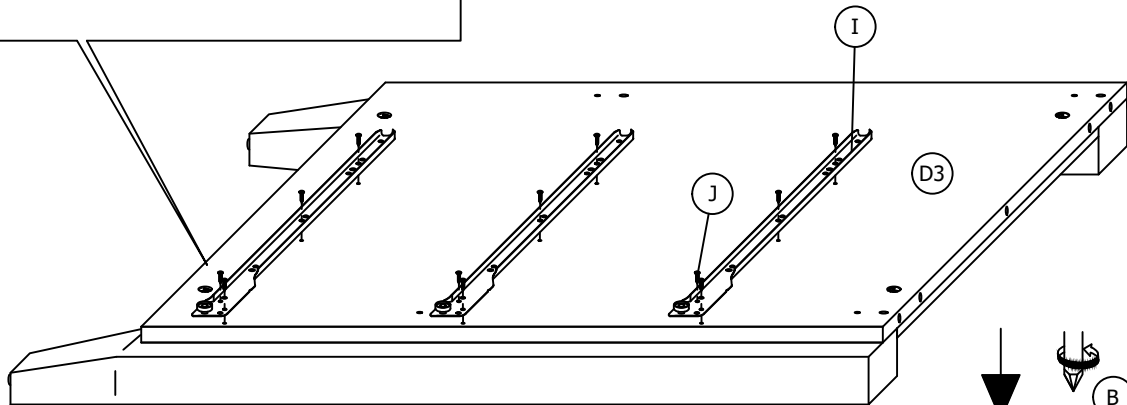
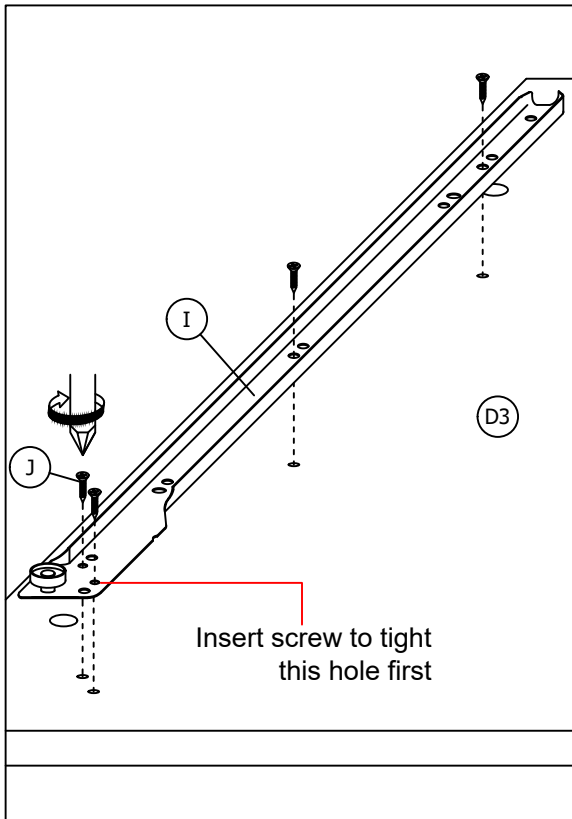
Assembled looks



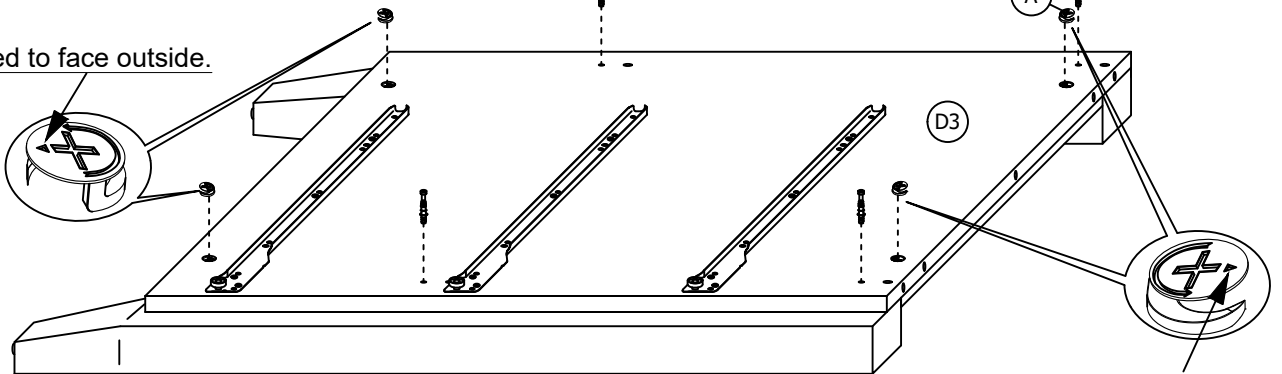
ASSEMBLY INSTRUCTION

STEP 4

Fix 3 pieces (I) to (D3) by using 12 pieces (J) . Insert 4 pieces (A),(B) to (D3) as shown.

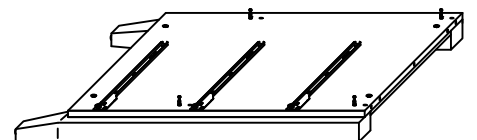


Arrow need to face outside.



Arrow need to face outside.

Assembled looks

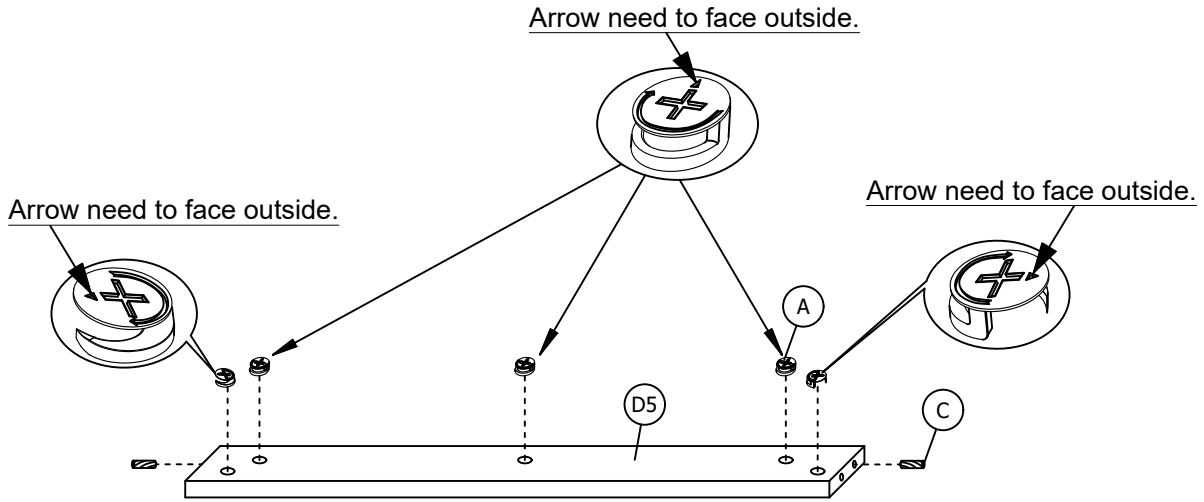


ASSEMBLY INSTRUCTION

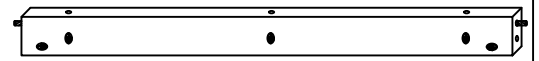
STEP 5

Insert 5 pieces (A) and 2 pieces (C) to the (D5) as shown.

x 2



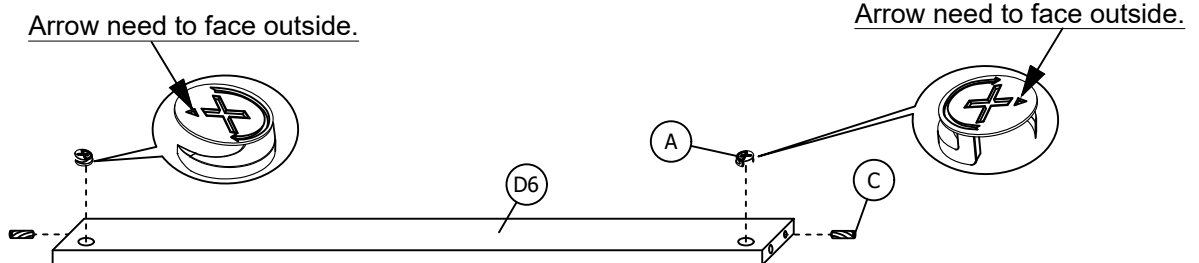
Assembled looks



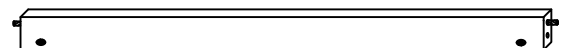
STEP 6

Insert 2 pieces (A) and (C) to the (D6) as shown.

x 2



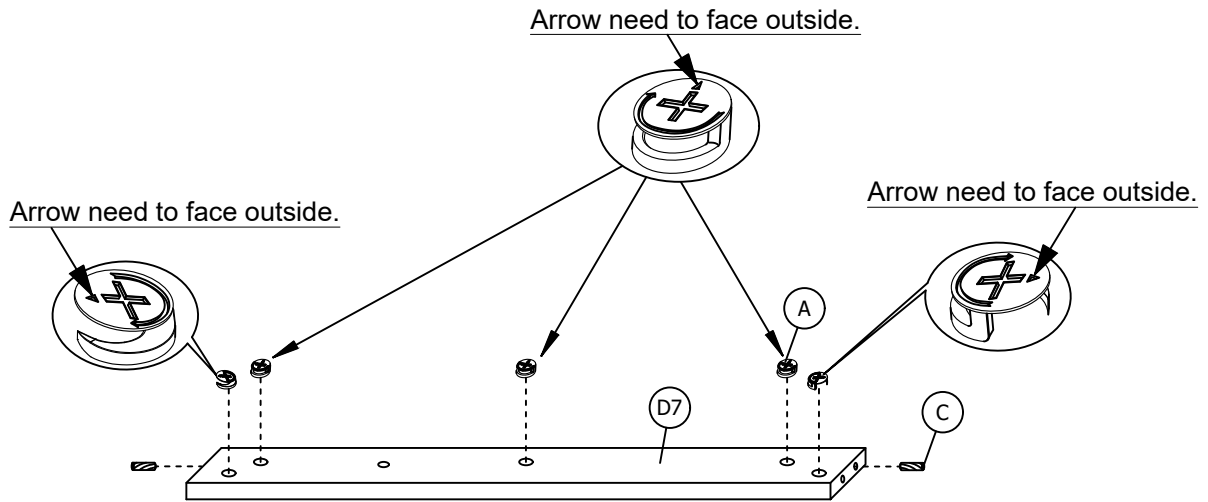
Assembled looks



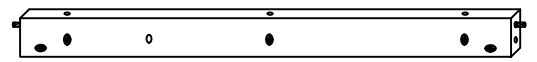
ASSEMBLY INSTRUCTION

STEP 7

Insert 5 pieces (A), 2 pieces (C) to the (D7) as shown.

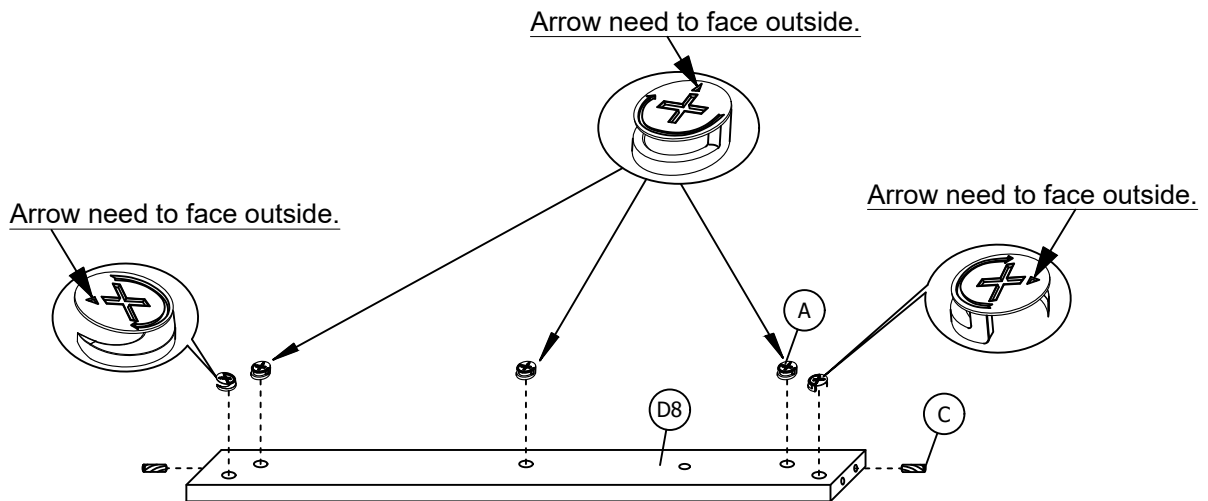


Assembled looks

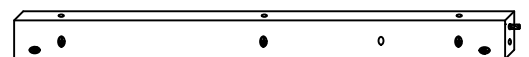


STEP 8

Insert 5 pieces (A), 2 pieces (C) to the (D8) as shown.



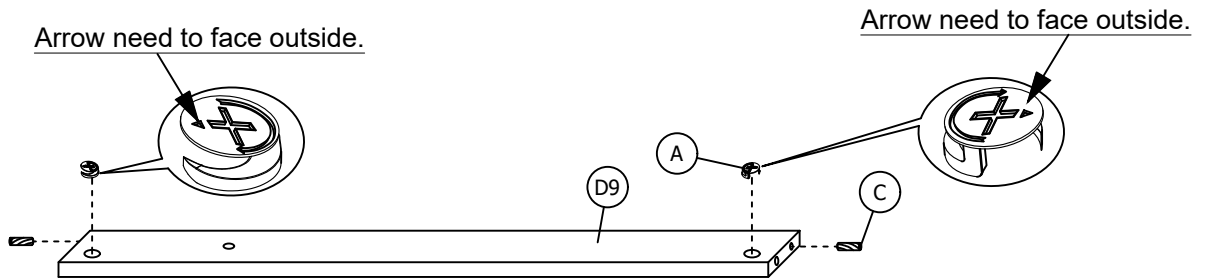
Assembled looks



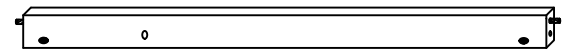
ASSEMBLY INSTRUCTION

STEP 9

Insert 2 pieces (A),(C) to the (D9) as shown.

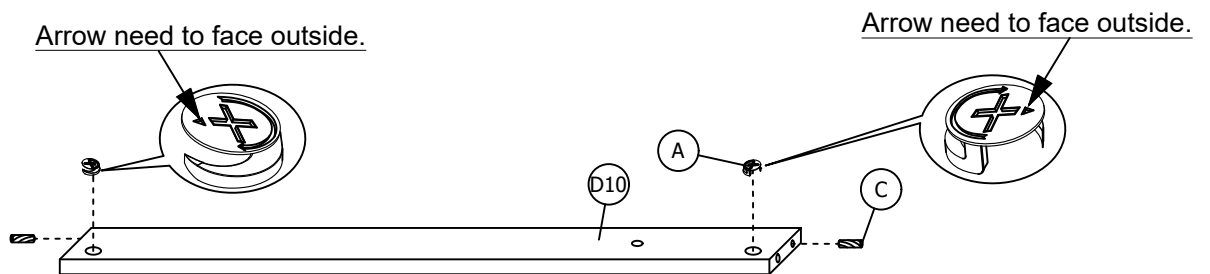


Assembled looks

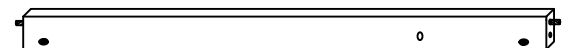


STEP 10

Insert 2 pieces (A),(C) to the (D10) as shown.



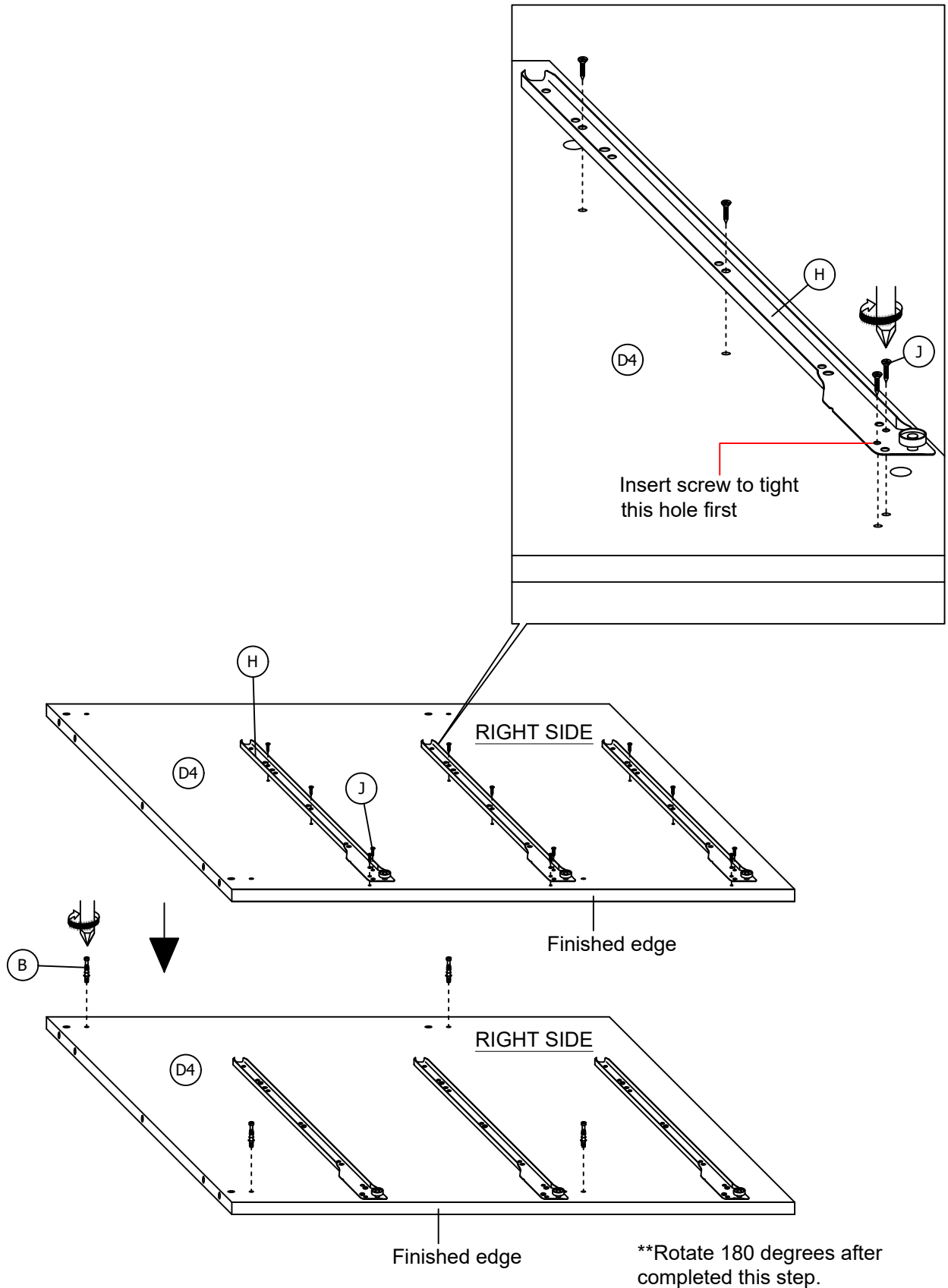
Assembled looks



ASSEMBLY INSTRUCTION

STEP 11

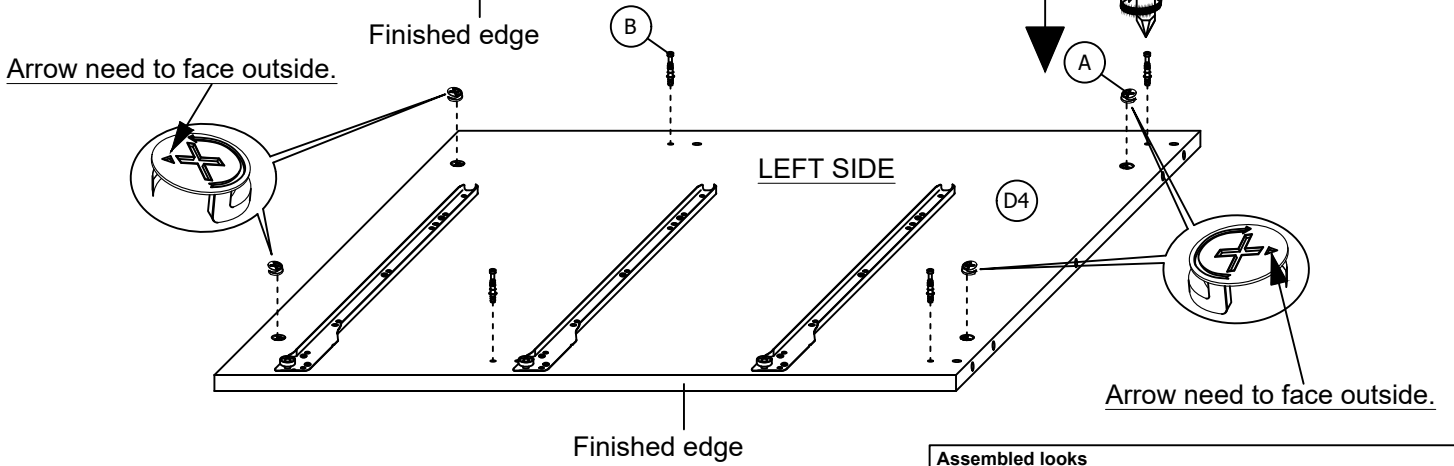
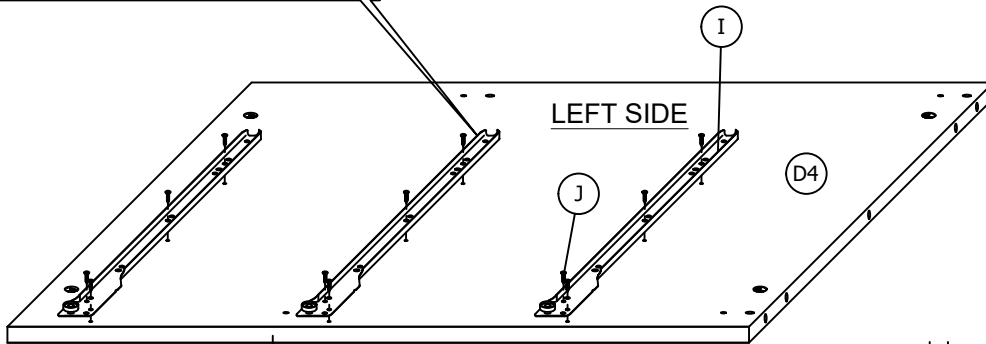
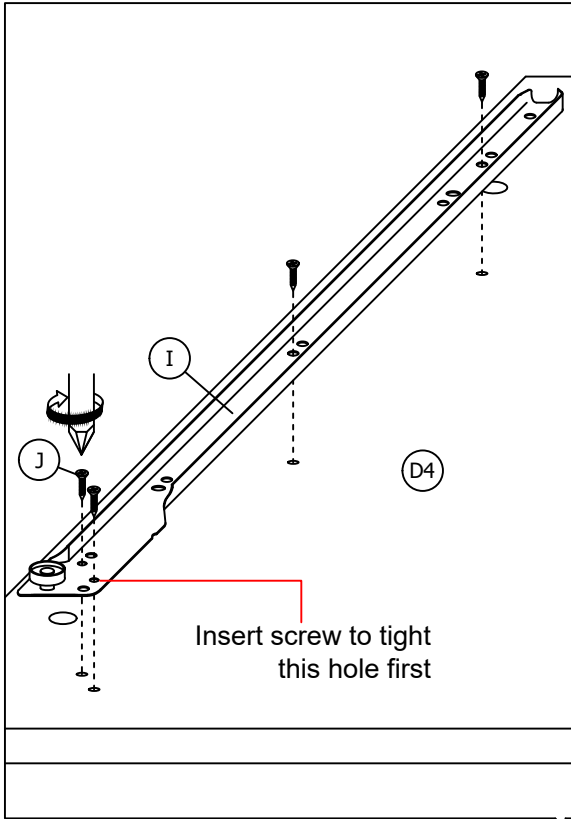
Fix remaining 3 pieces (H) to the right side of (D4) by using 12 pieces (J) . Then insert 4 pieces (B) as shown.



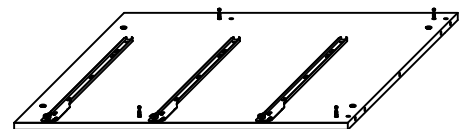
ASSEMBLY INSTRUCTION

STEP 12

Fix remaining 3 pieces (I) to the left side of (D4) by using 12 pieces (J). Then Insert 4 pieces (A) and (B) as shown.



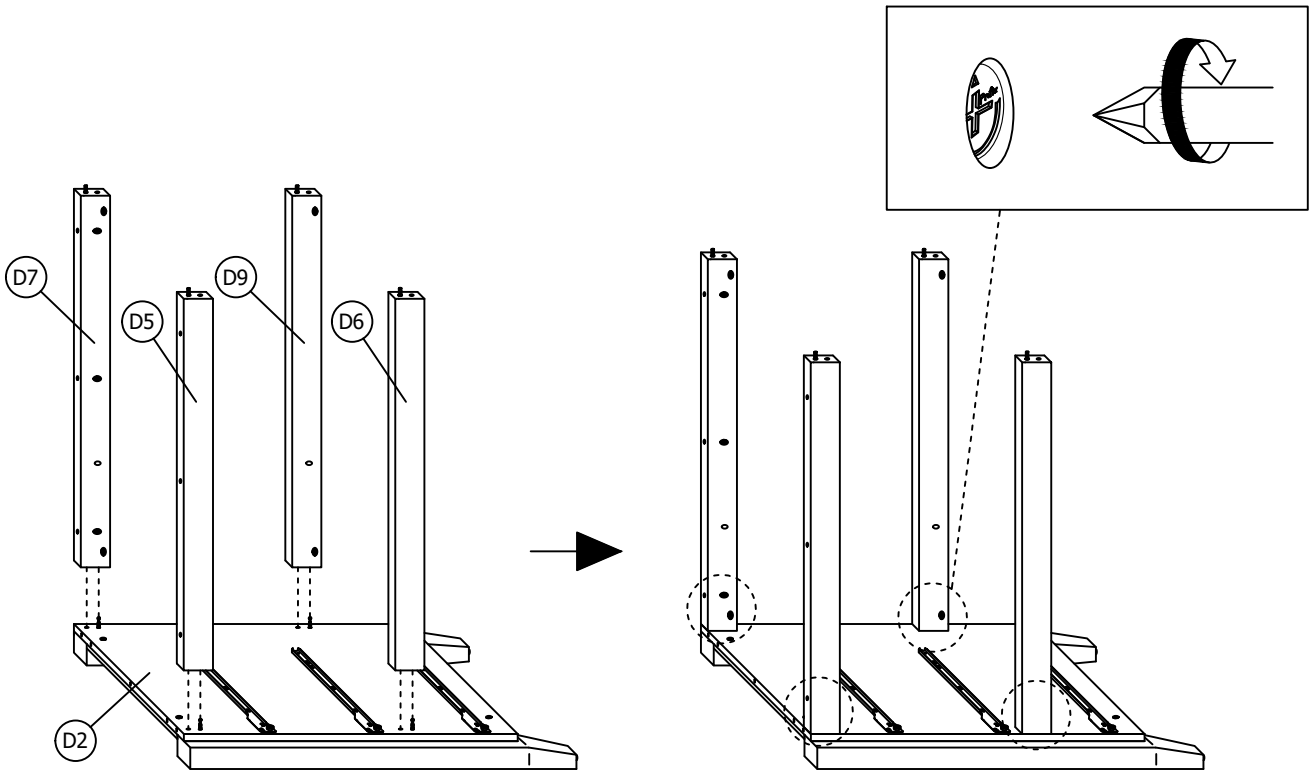
Assembled looks



ASSEMBLY INSTRUCTION

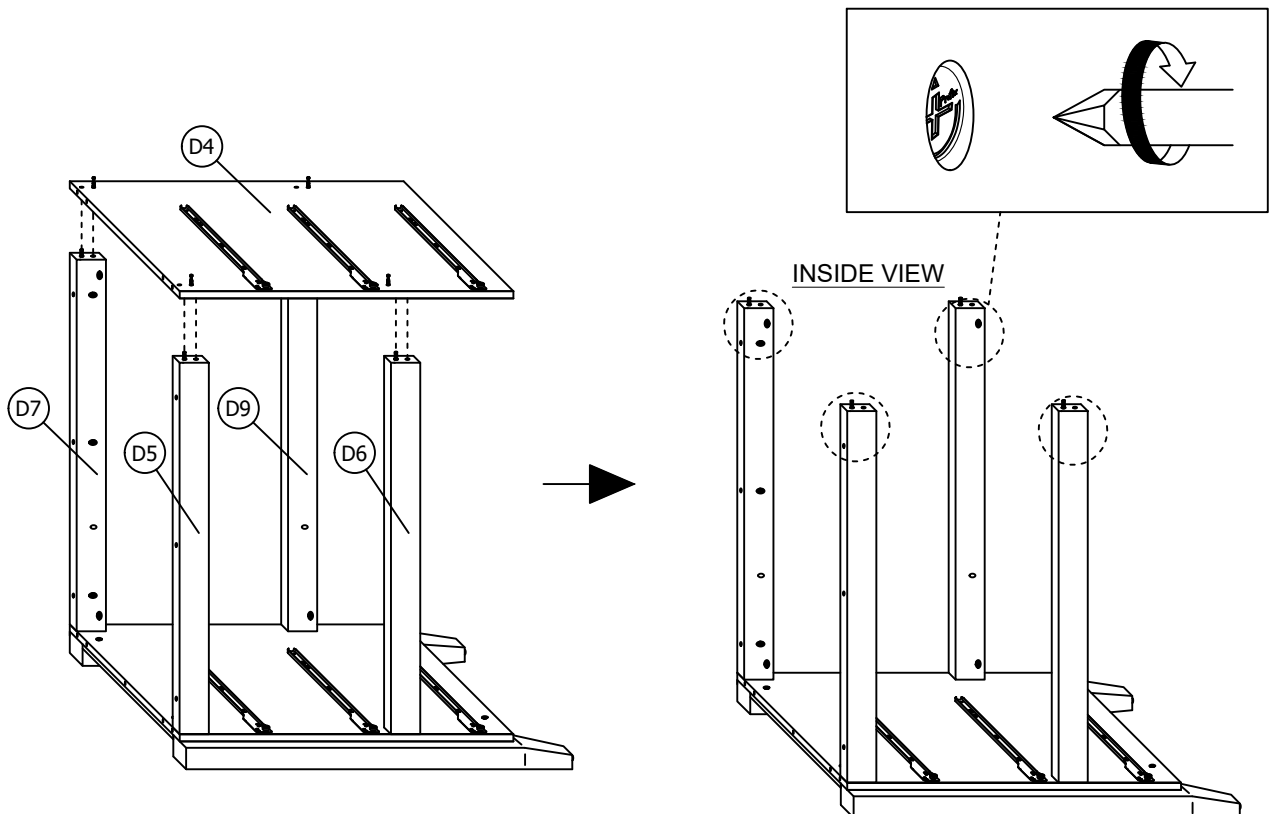
STEP 13

Combine (D5),(D6),(D7) and (D9) to the (D2) then tighten the 4 pieces (A)-(pre insert in step 5,6,7 and 9) as shown.



STEP 14

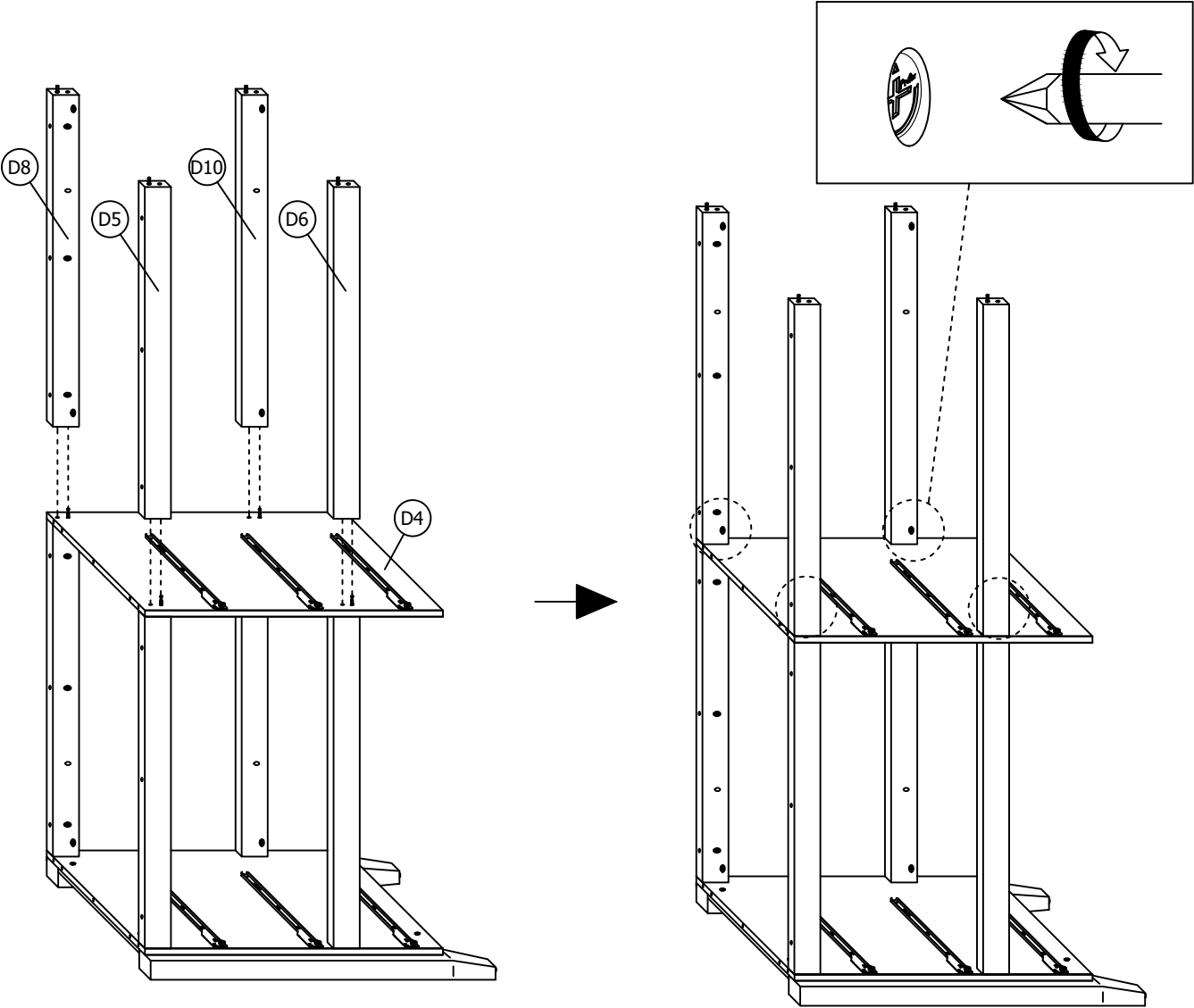
Combine (D4) to the (D5),(D6),(D7),(D9) then tighten the another 4 pieces (A)-(pre insert in step 5,6,7 and 9) as shown.



ASSEMBLY INSTRUCTION

STEP 15

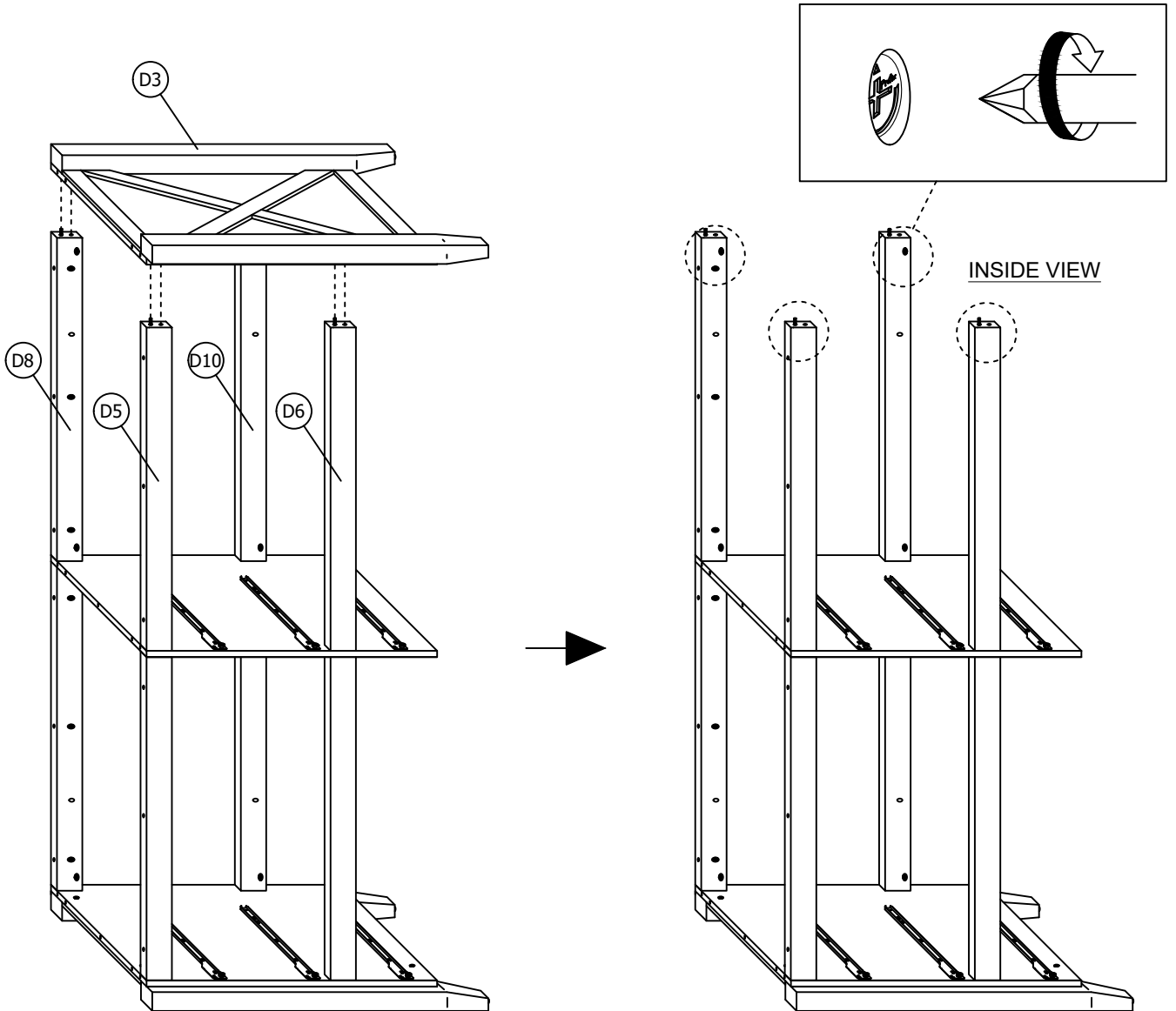
Combine (D5),(D6),(D8) and (D10) to the (D4) then tighten the 4 pieces (A)-(pre insert in step 5,6,8 and 10) as shown.



ASSEMBLY INSTRUCTION

STEP 16

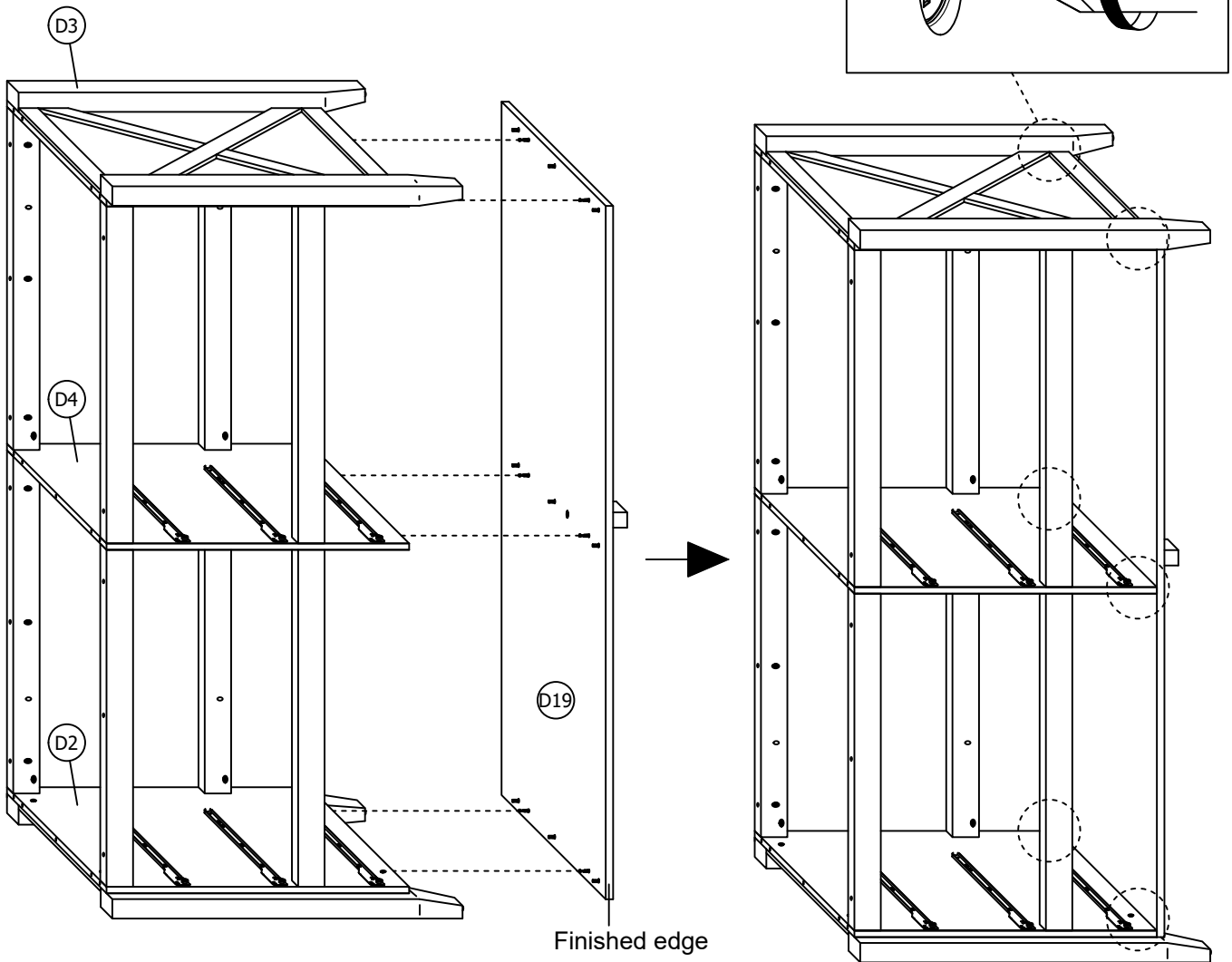
Combine (D3) to the (D5),(D6),(D8) and (D10) then tighten the another 4 pieces (A)-(pre insert in step 5,6,8 and 10) as shown.



ASSEMBLY INSTRUCTION

STEP 17

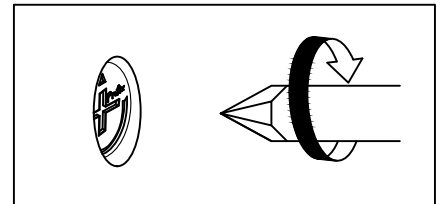
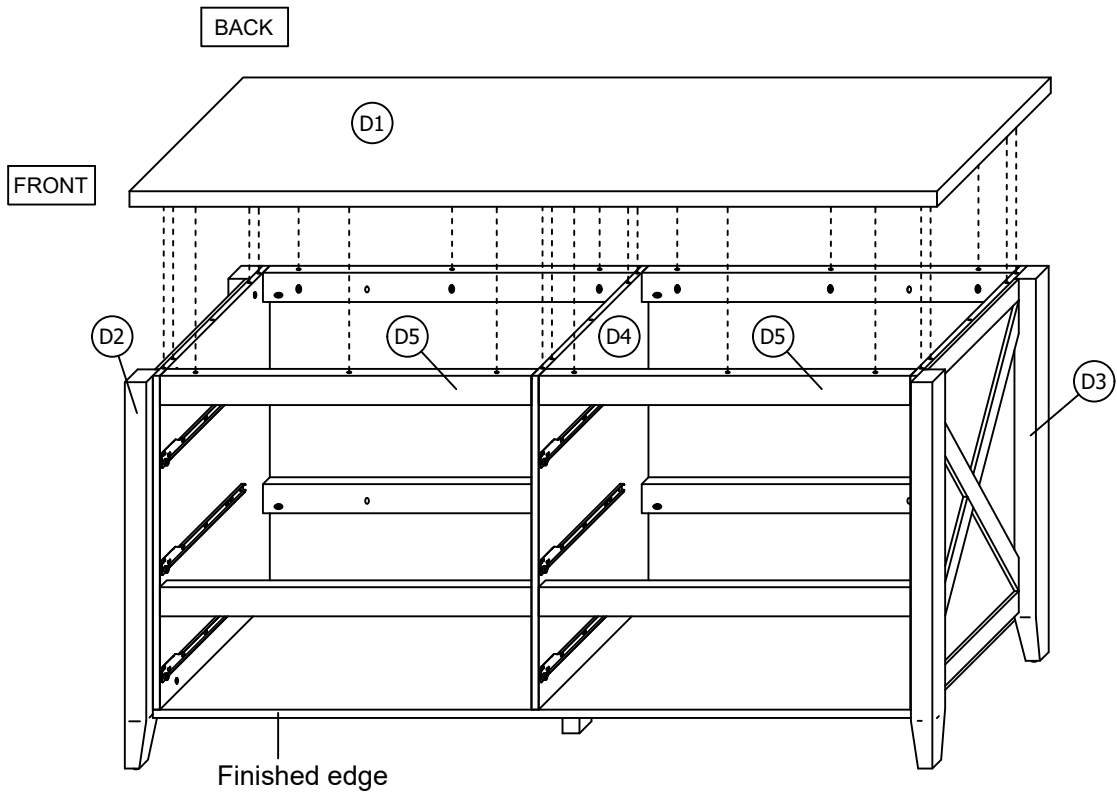
Combine (D19) to the (D2),(D3),(D4) then tighten the 6 pieces (A)-(pre insert in step 3,4,12) as shown.



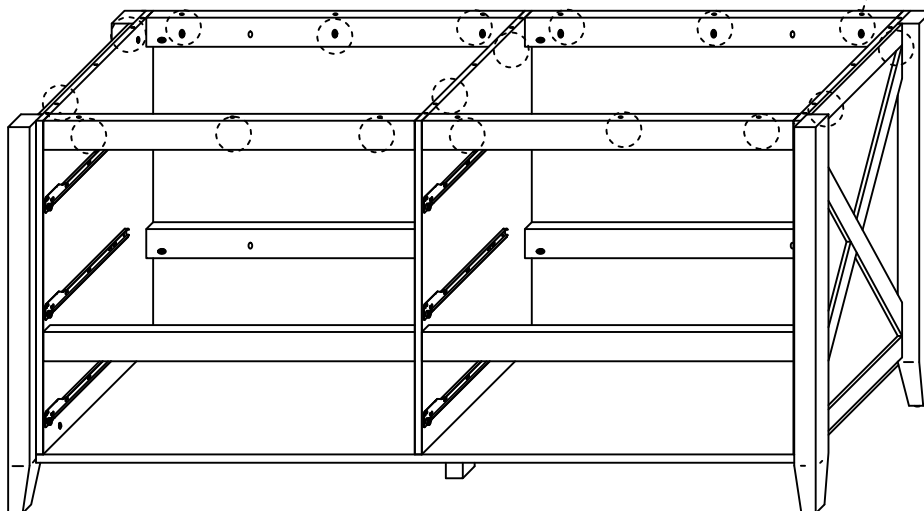
ASSEMBLY INSTRUCTION

STEP 18

Combine (D1) to the (D2),(D3),(D4),(D5),(D7) and (D8) then tighten the 18 pieces (A)-(pre insert in step 3,4,5,7,8 and 12) as shown.



INSIDE VIEW

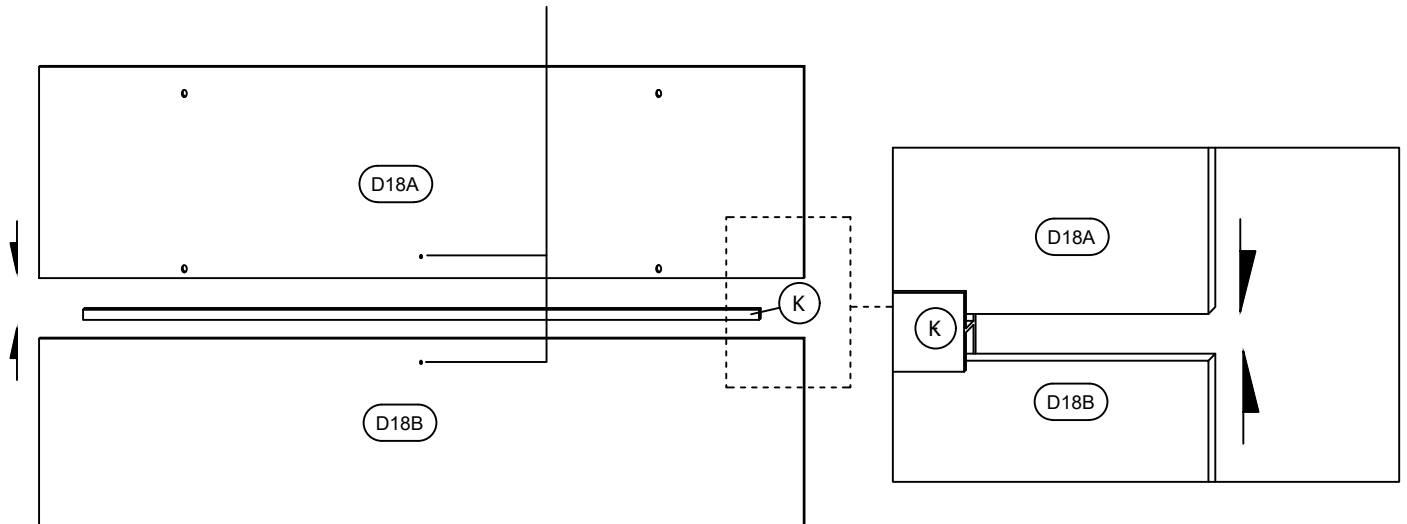


ASSEMBLY INSTRUCTION

STEP 19

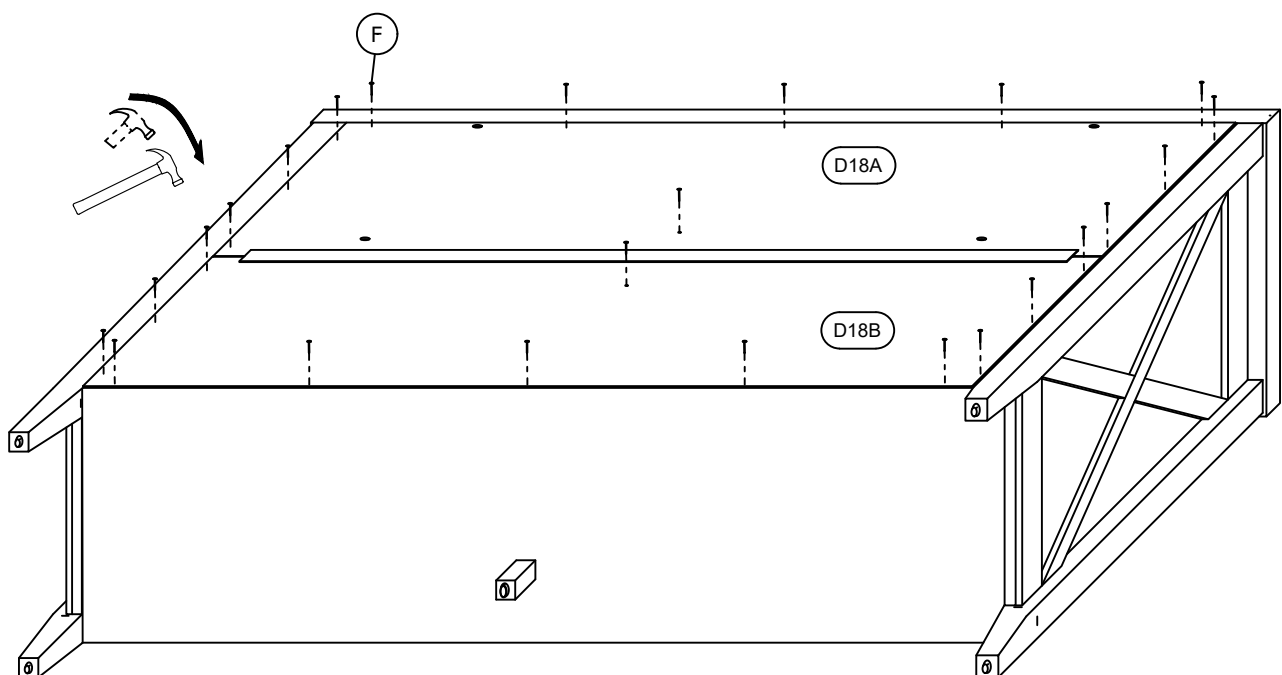
Put the (D18A) and (D18B) to the gap of (K) as shown. Direction of the side with colored paper must be the same.

This side closer to the hole needs to face inside



STEP 20

Insert the 24 pieces (F) to fix the (D18A) and (D18B) as shown. Colored paper face to outside. To prevent blocking (D2) and (D3), make sure the (K) at the middle of (D18A) and (D18B), do not over left or right.

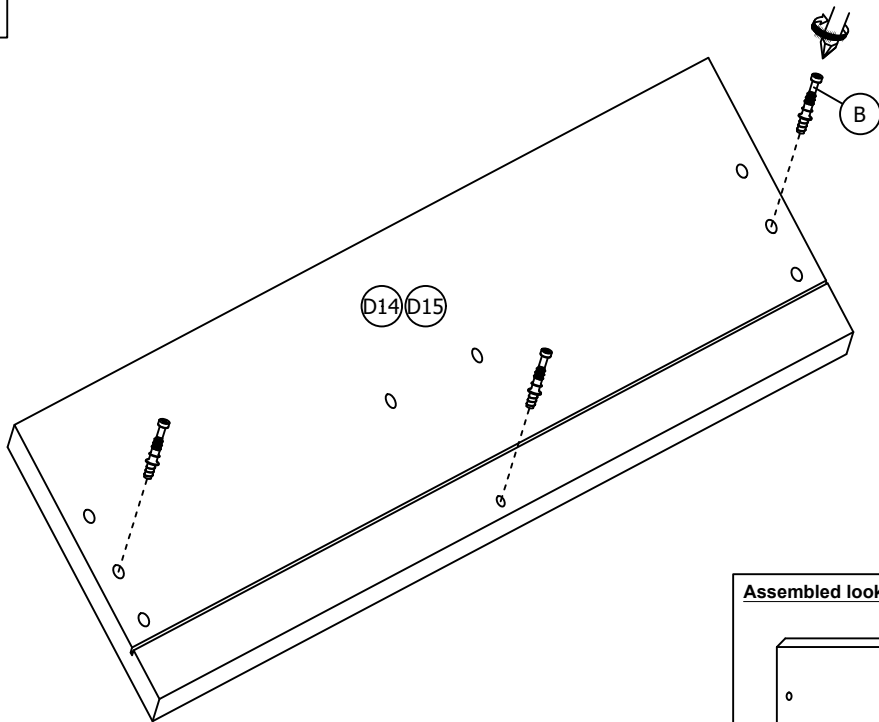


ASSEMBLY INSTRUCTION

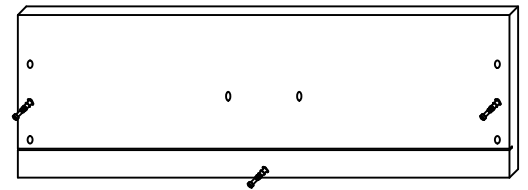
STEP 21

Insert 3 pieces (B) to the (D14),(D15) as shown.

x 3



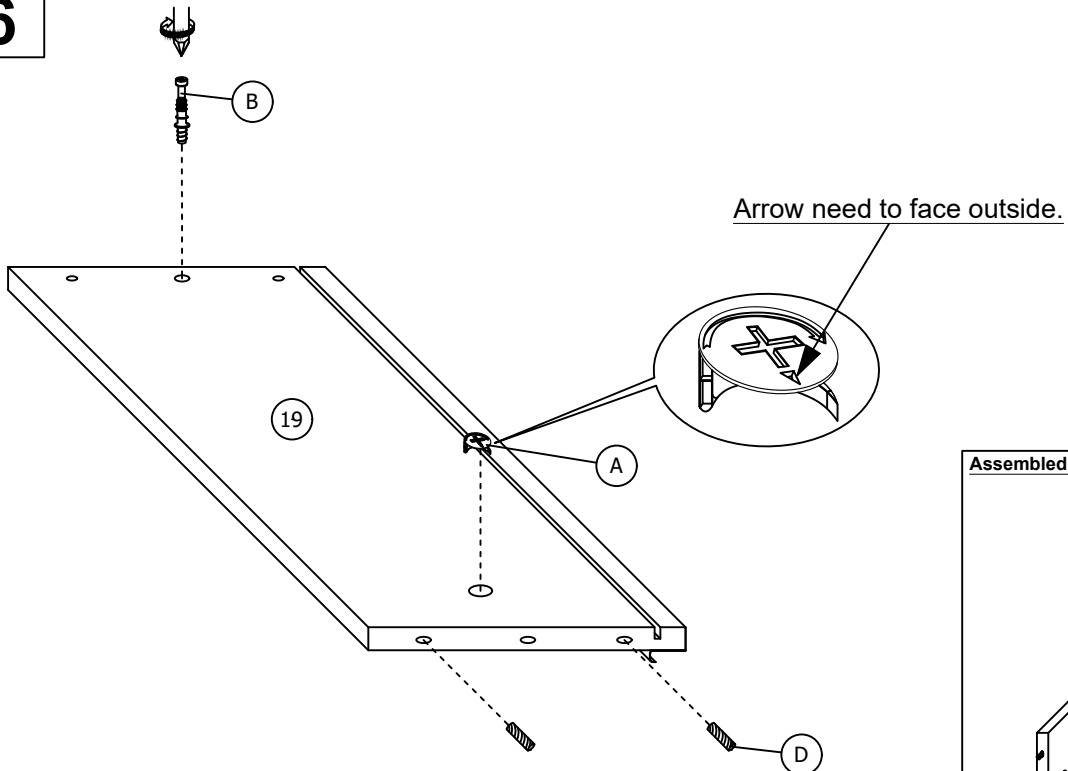
Assembled looks



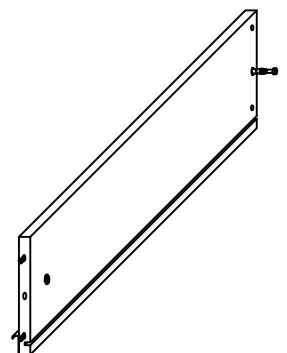
STEP 22

Insert 1 piece (A),(B) and 2 pieces (D) to (19) as shown.

x 6



Assembled looks

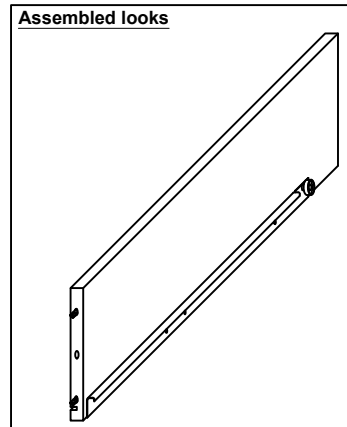
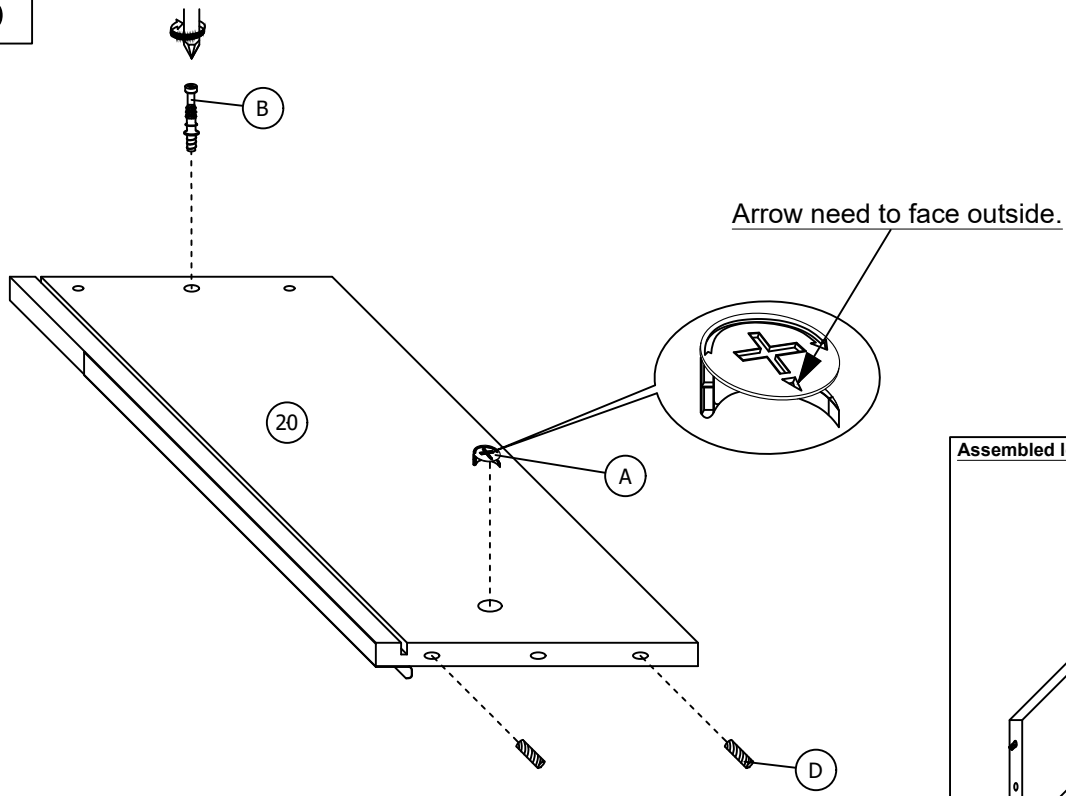


ASSEMBLY INSTRUCTION

STEP 23

Insert 1 piece (A),(B) and 2 pieces (D) to (20) as shown.

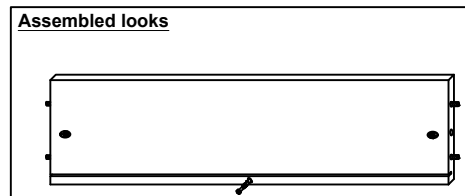
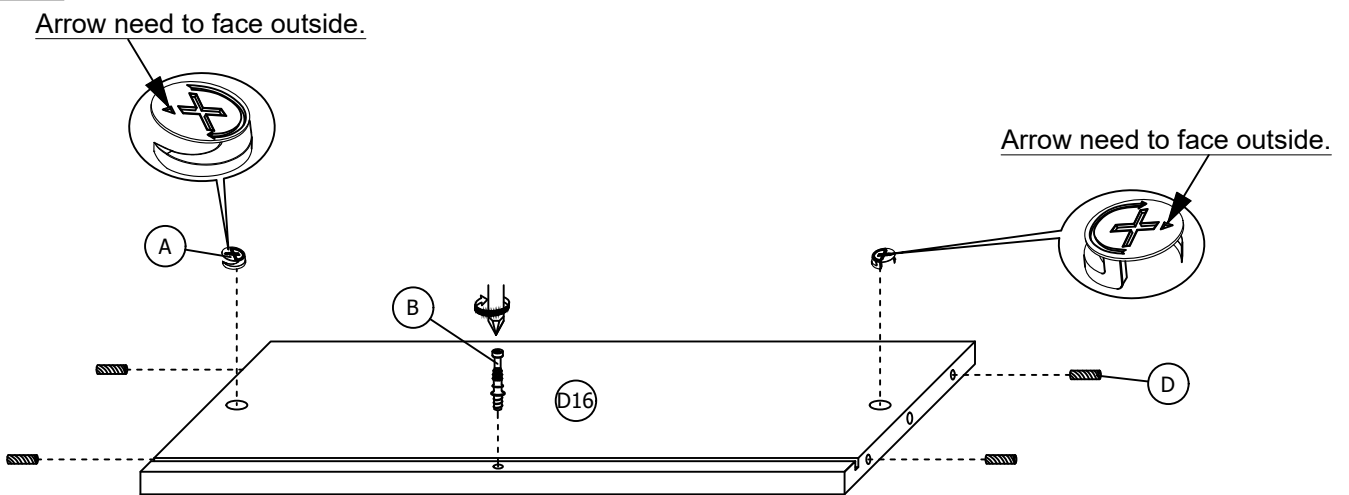
x 6



STEP 24

Insert 2 pieces (A) , 1 piece (B) and 4 pieces (D) to (D16) as shown.

x 6

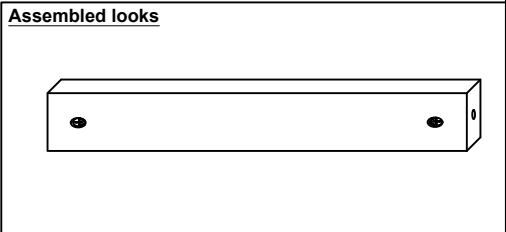
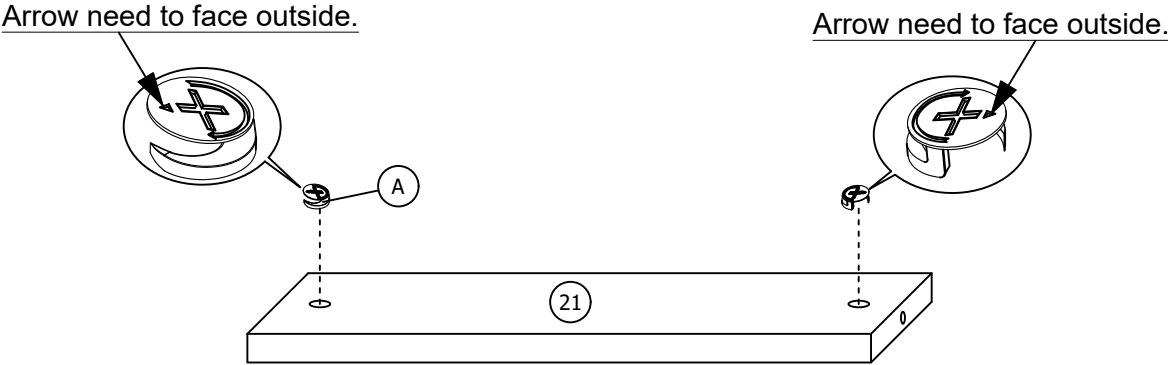


ASSEMBLY INSTRUCTION

STEP 25

Insert 2 pieces (A) to (21) as shown.

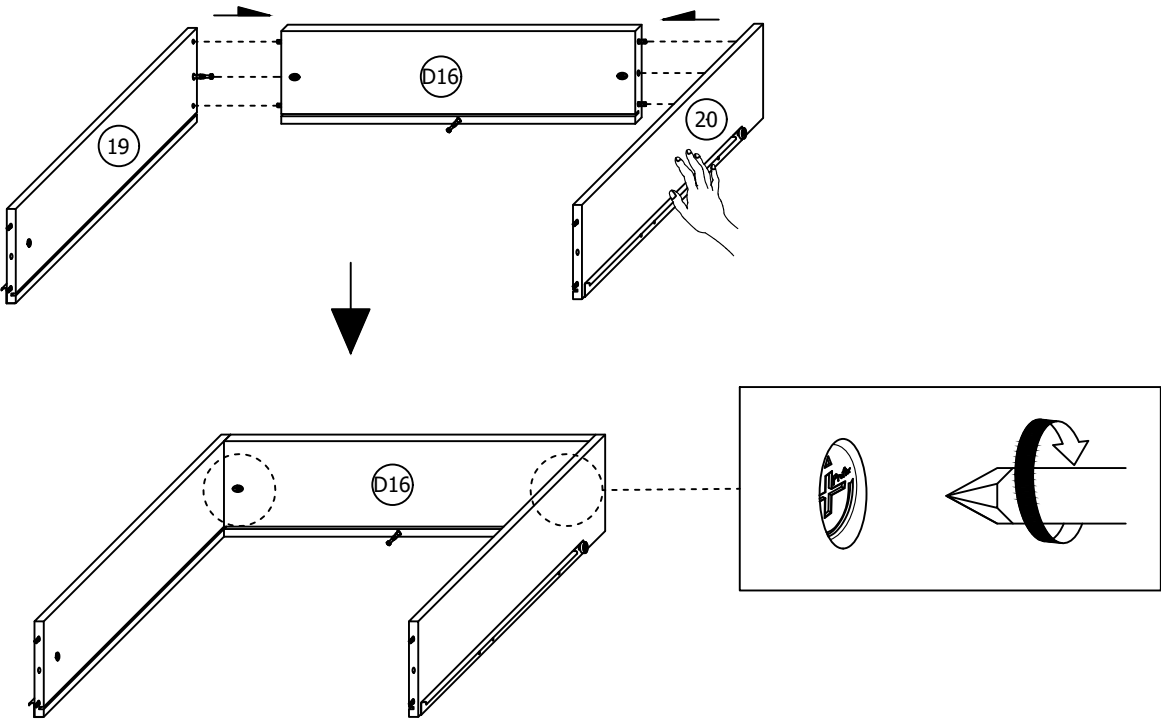
x 6



STEP 26

Combine the (19) and (20) to the (D16) . Then tighten the 2 pieces (A)-(pre-insert in step 24) as shown.

x 6

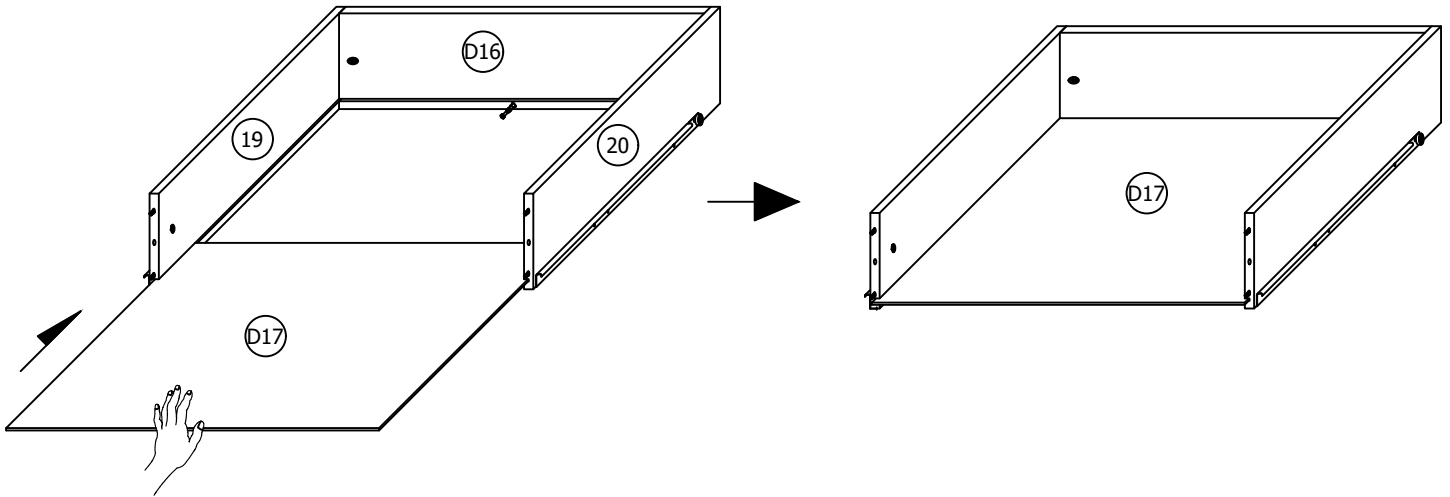


ASSEMBLY INSTRUCTION

STEP 27

Put the (D17) into the gap of (19),(20) and (D16) as shown.

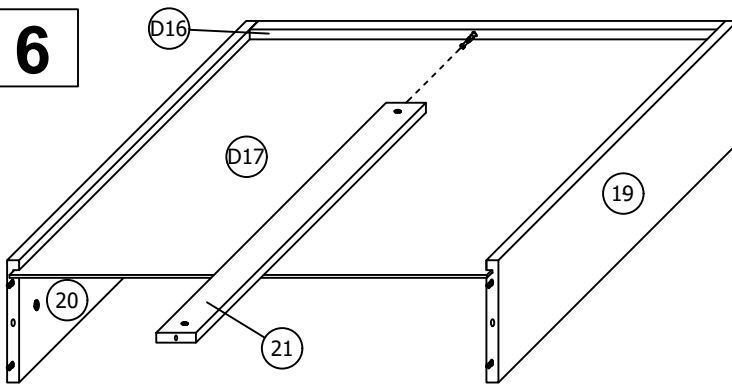
x 6



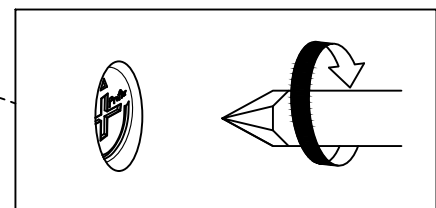
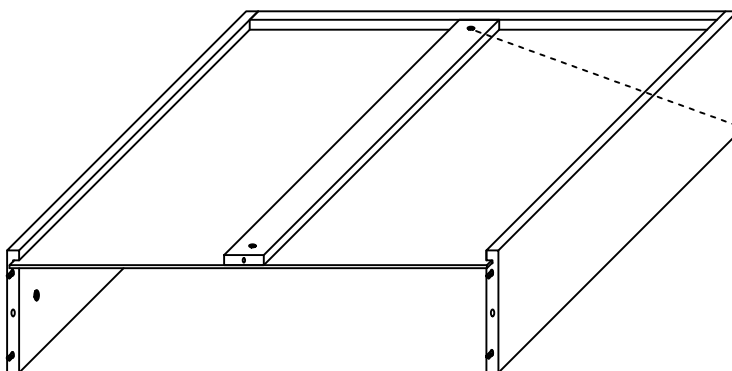
STEP 28

Combine the (21) to the (D16) then tighten the 1 piece (A)-(pre-insert in step 25) as shown.

x 6



**Rotate 90 degrees after completed this step.

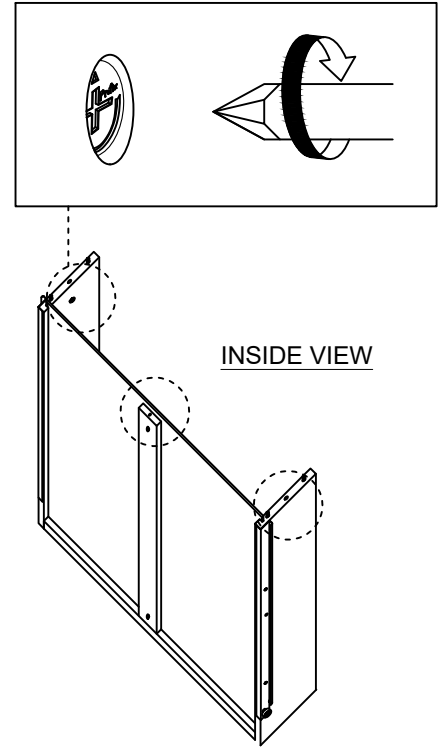
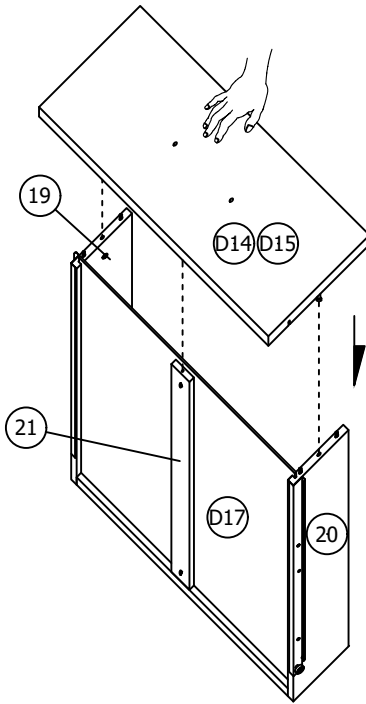


ASSEMBLY INSTRUCTION

STEP 29

Combine the (D14),(D15) to the drawer frame. Then tighten the 3 pieces (A)-(pre-insert in step 22,23 and 25) as shown.

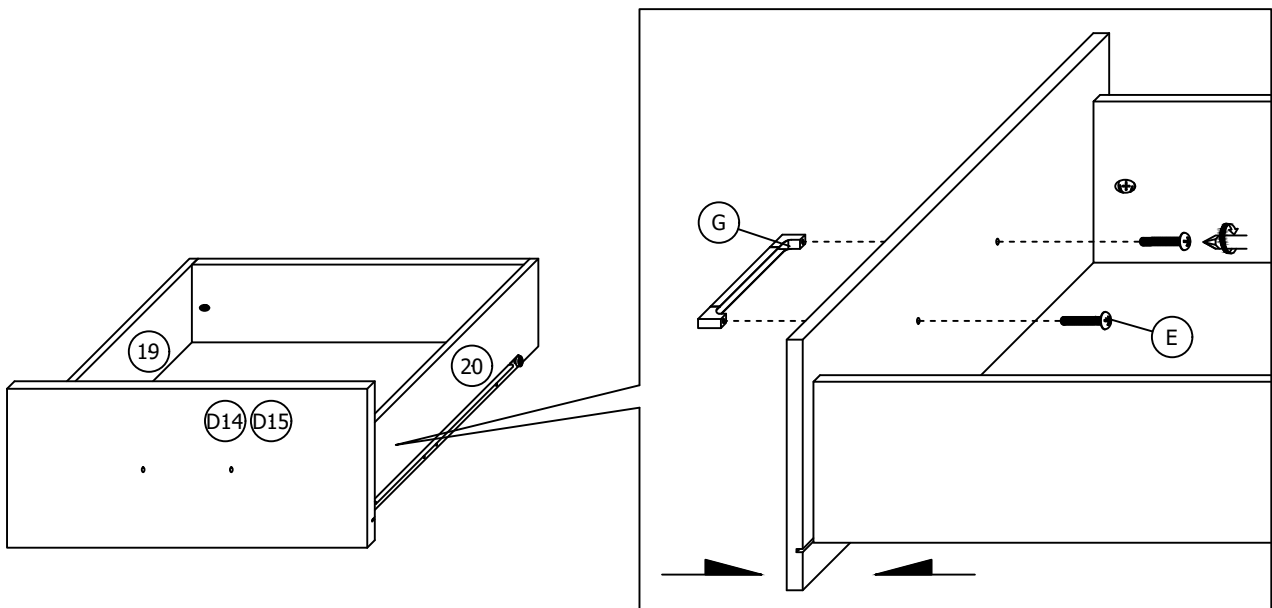
x 3



STEP 30

Insert 2 pieces (E) fix the (G) as shown.

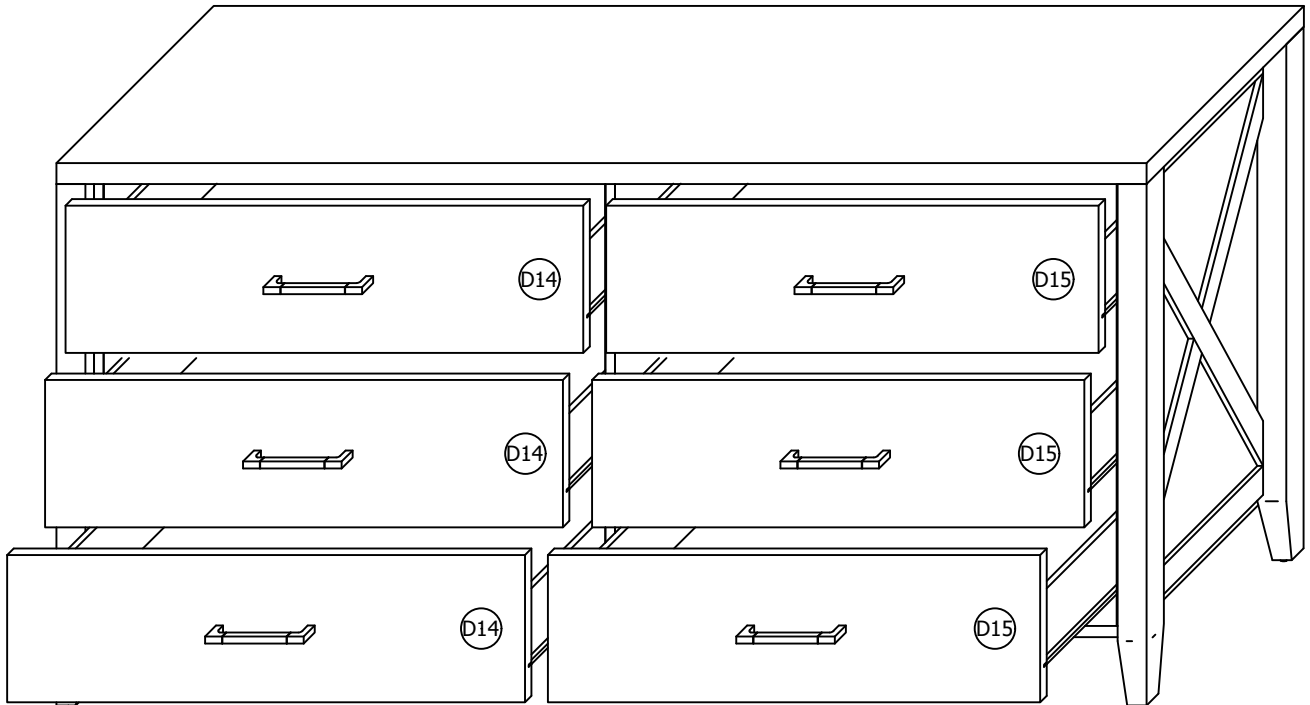
x 6



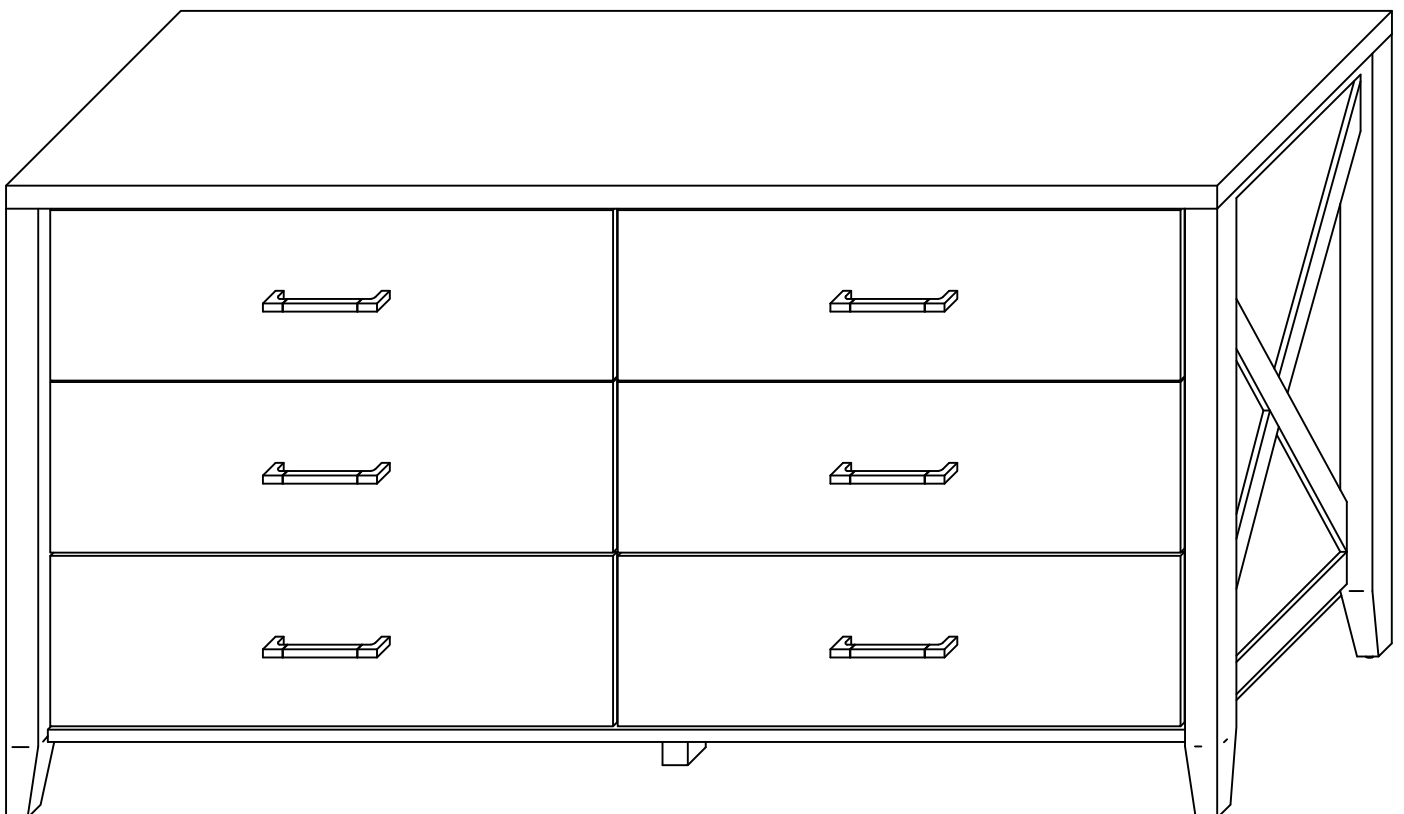
ASSEMBLY INSTRUCTION

STEP 31

Align the position then push the 5 pieces drawer to inside exactly by your hand as shown.



STEP 32

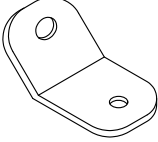
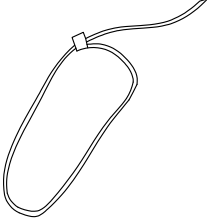
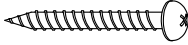
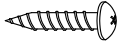


ASSEMBLY COMPLETED

WALL STUD

SAFETY BRACKET INSTRUCTIONS

Part Enclosed :

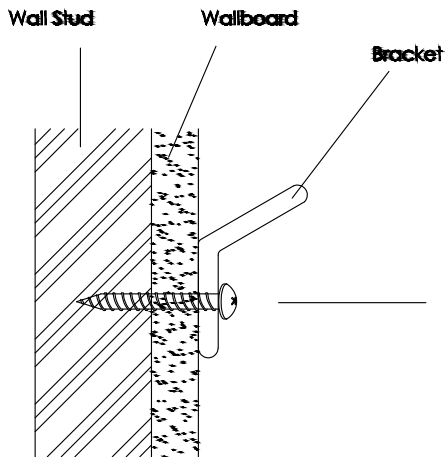
<p>A) Bracket</p>  <p style="text-align: center;">2x</p>	<p>B) Safety Strap</p>  <p style="text-align: center;">1x</p>	<p>C) 50mm Pan Head Screw</p>  <p style="text-align: center;">1x</p>	<p>D) 17mm Pan Head Screw</p>  <p style="text-align: center;">1x</p>
------------------------------------------------------------------------------------------------------------------------------------------	------------------------------------------------------------------------------------------------------------------------------------------------	--------------------------------------------------------------------------------------------------------------------------------------------------------	---------------------------------------------------------------------------------------------------------------------------------------------------------

IMPORTANT: Tipping can injure young children. Use of this safety hardware is highly recommended. This safety hardware, when properly installed, can provide furniture protection against unexpected accidental tipping of furniture due to improper use.

Step 1

Attach a bracket to the wall board with the 2" screw provided:

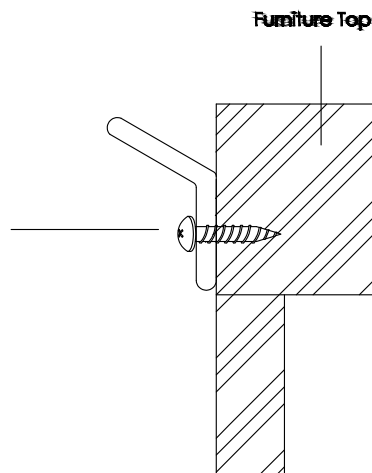
- It is recommended that you locate a wall stud behind the furniture unit. If the wall stud is not used, a suitable "Hollow-Wall Anchor Bolt" (not provided) should be used in lieu of the wall stud.
- Position the wall bracket on the stud about 1" below the top of furniture piece.
- Mark the position for the bracket placement on the wall and drill a pilot hole into the stud.
- Attach the bracket to the back of the furniture with the 2" screws provided.



Step 2

To attach a bracket to the Furniture Frame below to top with the short screws provided :

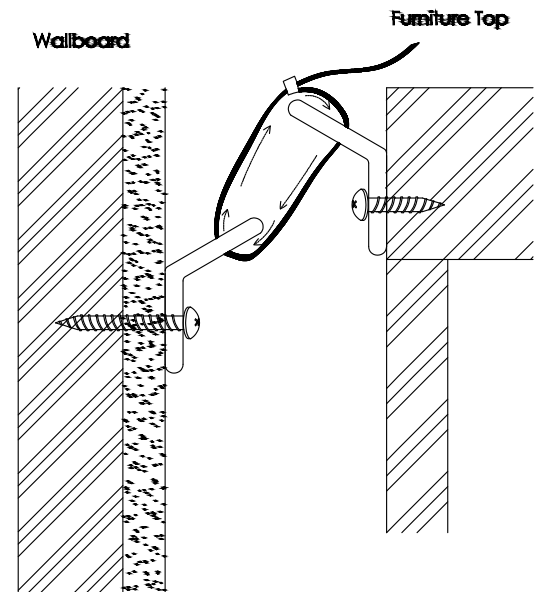
- Move the furniture piece temporarily to its final position to the wall.
- Mark the location of the bracket on the back of the furniture in relation to the previously mounted wall bracket.
- Move the furniture piece away from the wall mounted bracket and place the other bracket on the mark position on the back of the furniture piece.
- Drill a pilot hole as shown in the figure or into the back furniture frame.
- Caution:** Make sure you do not drill completely through the back of the furniture.
- Attach the bracket to the back of the furniture with the 5/8" screws provided.



Step 3

To Attach the safety strap:

- Move the furniture back to its final position.
- Thread the safety strap through both of the mounted brackets as shown in the illustration.
- Tighten the strap unit snug.
- Do not over tighten.



IMPORTANT: Make sure the brackets are firmly attached to the wall stud and furniture frame and the safety strap is snug.

Warning: This product is not be a substitute for proper parental supervision which is the only proper deterrent to prevent improper use of this unit. The manufacturer assumes no liability for improper installation or excessive loads placed on the safety straps, bracket or mounting screws. This hardware will not insure against tipping.

Note: For taller or heavier pieces of furniture, two safety brackets may be installed.

This sticker was stucked at one of the DRAWER LEFT PANEL(19).

⚠ WARNING	
	<p>Children have died from furniture tipover. To reduce the risk of furniture tipover:</p> <ul style="list-style-type: none">• ALWAYS install tipover restraint provided.• NEVER put a TV on this product.• NEVER allow children to stand, climb or hang on drawers, doors, or shelves.• NEVER open more than one drawer at a time.• Place heaviest items in the lowest drawers. <p><i>This is a permanent label. Do not remove!</i></p>
	

Place the drawer which stucked a warning label in the top as shown.

