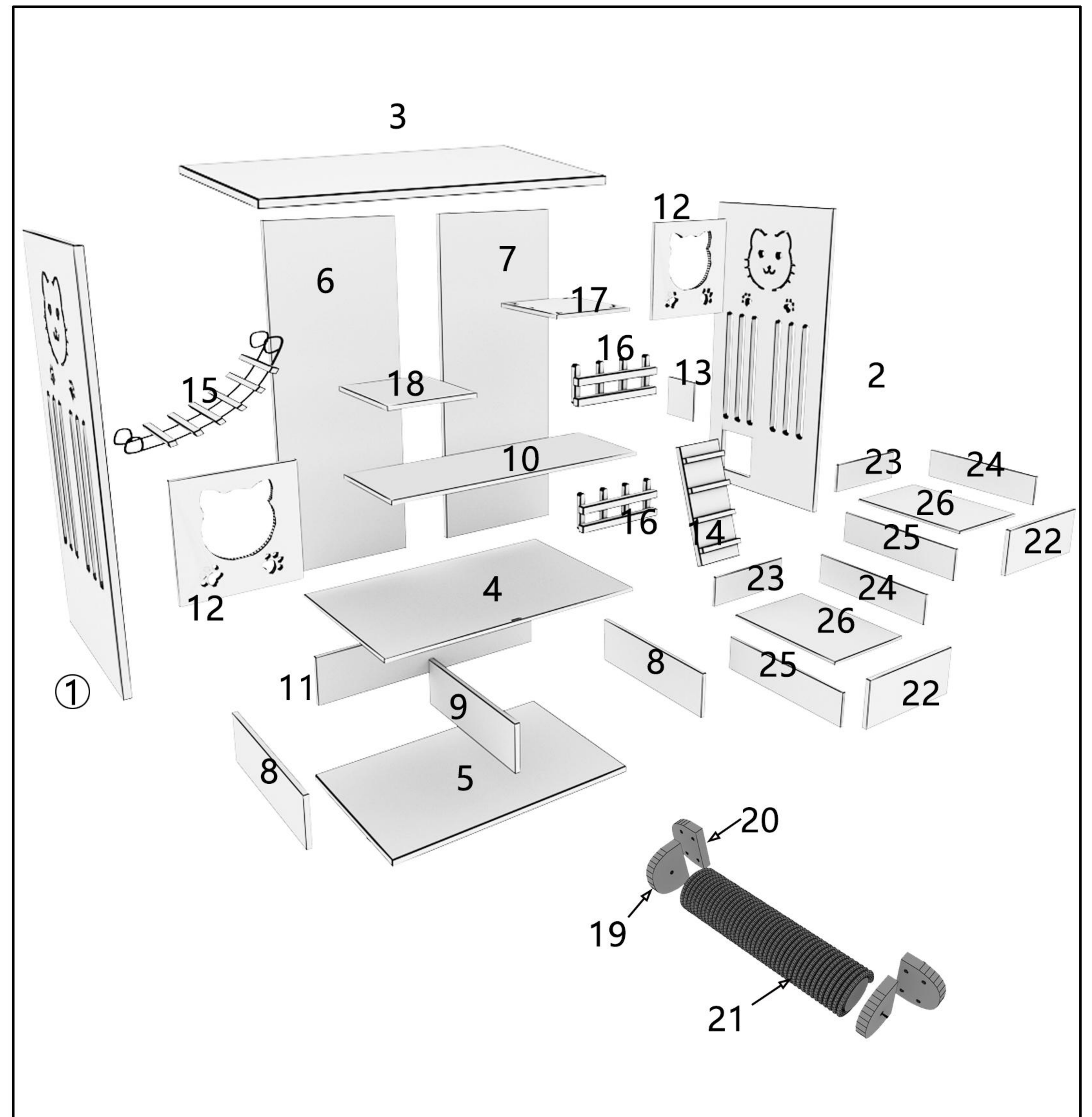
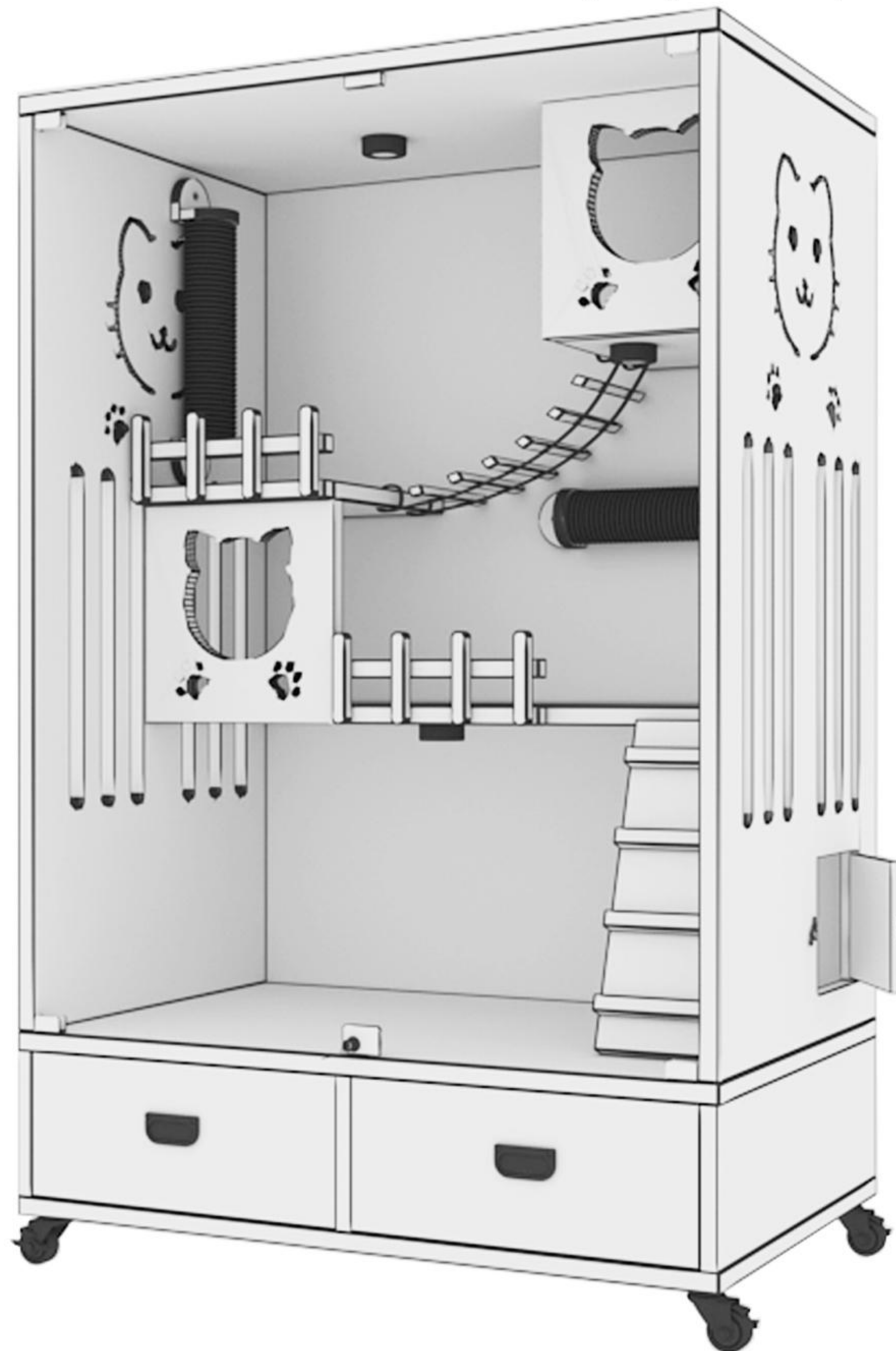


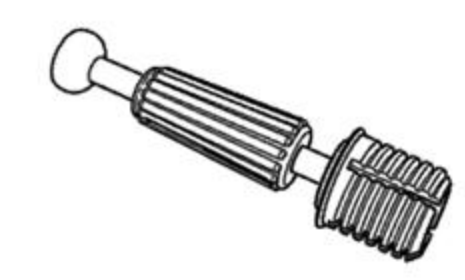

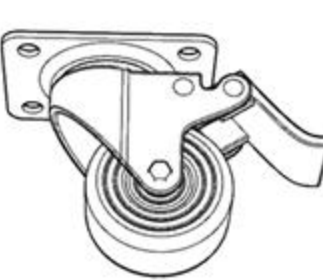
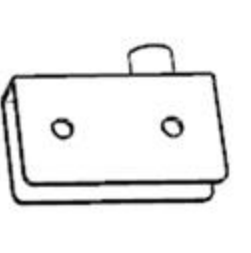
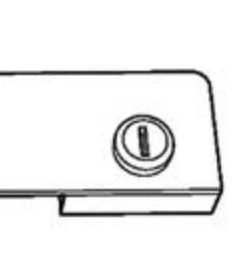

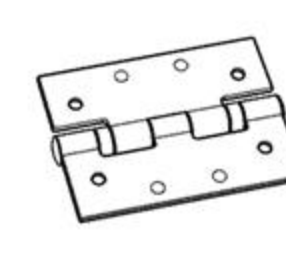
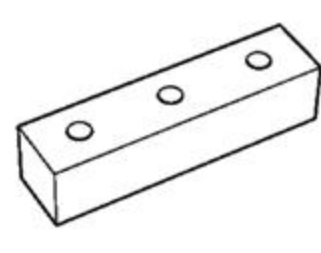
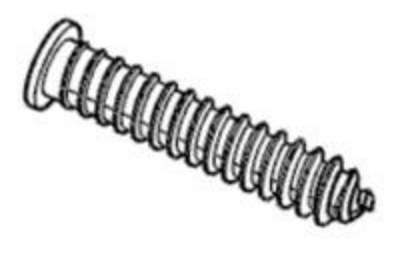


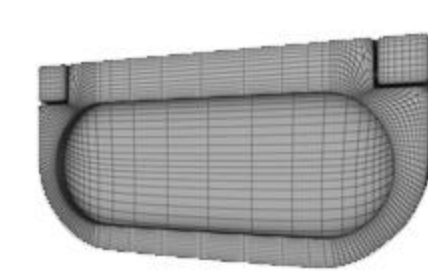
# ASSEMBLY INSTRUCTION

It would be best if you set aside and organize all pieces & corresponding {nuts/bolts} fist  
 Please follow the instructions to assemble the items correctly.  
 Could be assembled by one person, but would recommend two.  
 Please ensure the safety of the glass when assembling.  
 Do not make the screws too loose or too tight.  
 As shown in figure, insert the screw into the hole.  
 The arrow in the picture, Then rotate 90 or 180 clockwise.  
 The remaining parts are spare parts.

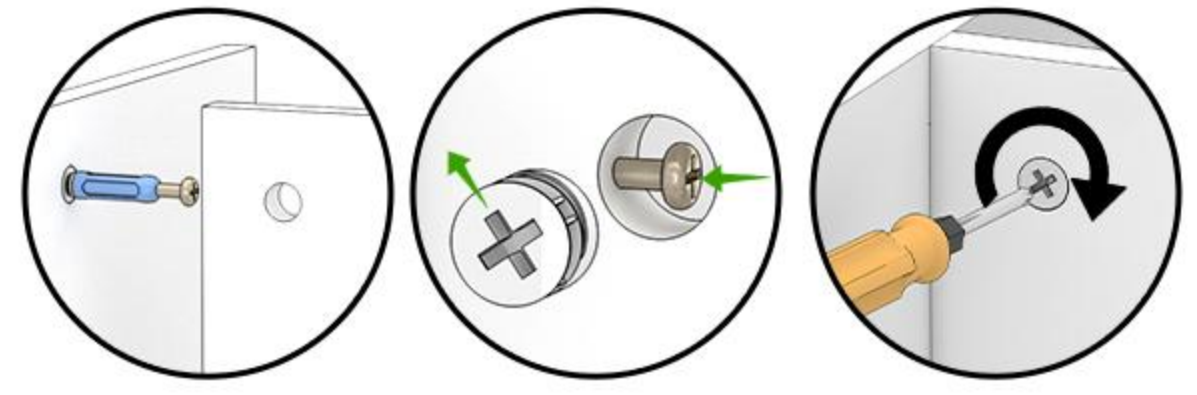
## SAFETY INFORMATION

The accessory bag contains some small accessories, which should be kept away from children.  
 Kids are not allowed to climb or play with product for safety reasons

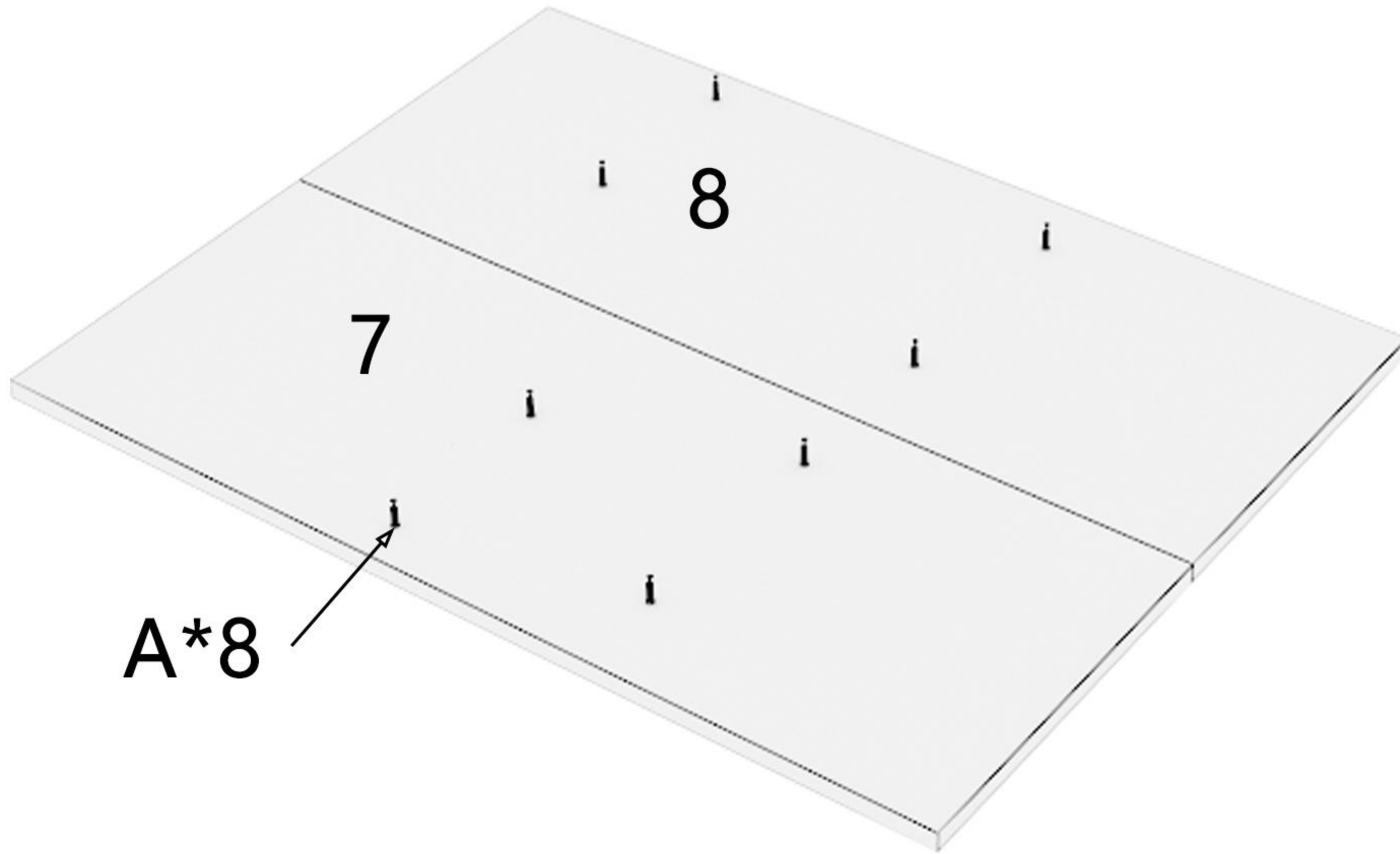
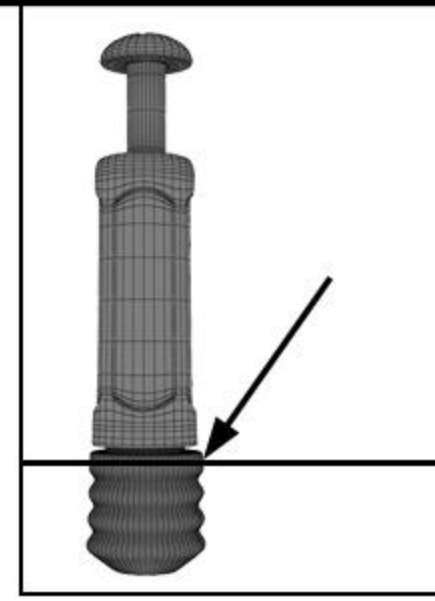


<p>A</p>  <p>x110</p>	<p>B</p>  <p>x110</p>	<p>C</p>  <p>x4</p>	<p>D</p>  <p>x4</p>	<p>E</p>  <p>x1</p>	<p>F</p>  <p>x1</p>	<p>G</p>  <p>x4</p>	<p>H</p>  <p>x2</p>
<p>J</p>  <p>x20</p>	<p>K</p>  <p>x20</p>	<p>L</p>  <p>x1</p>	<p>M</p>  <p>x2</p>				

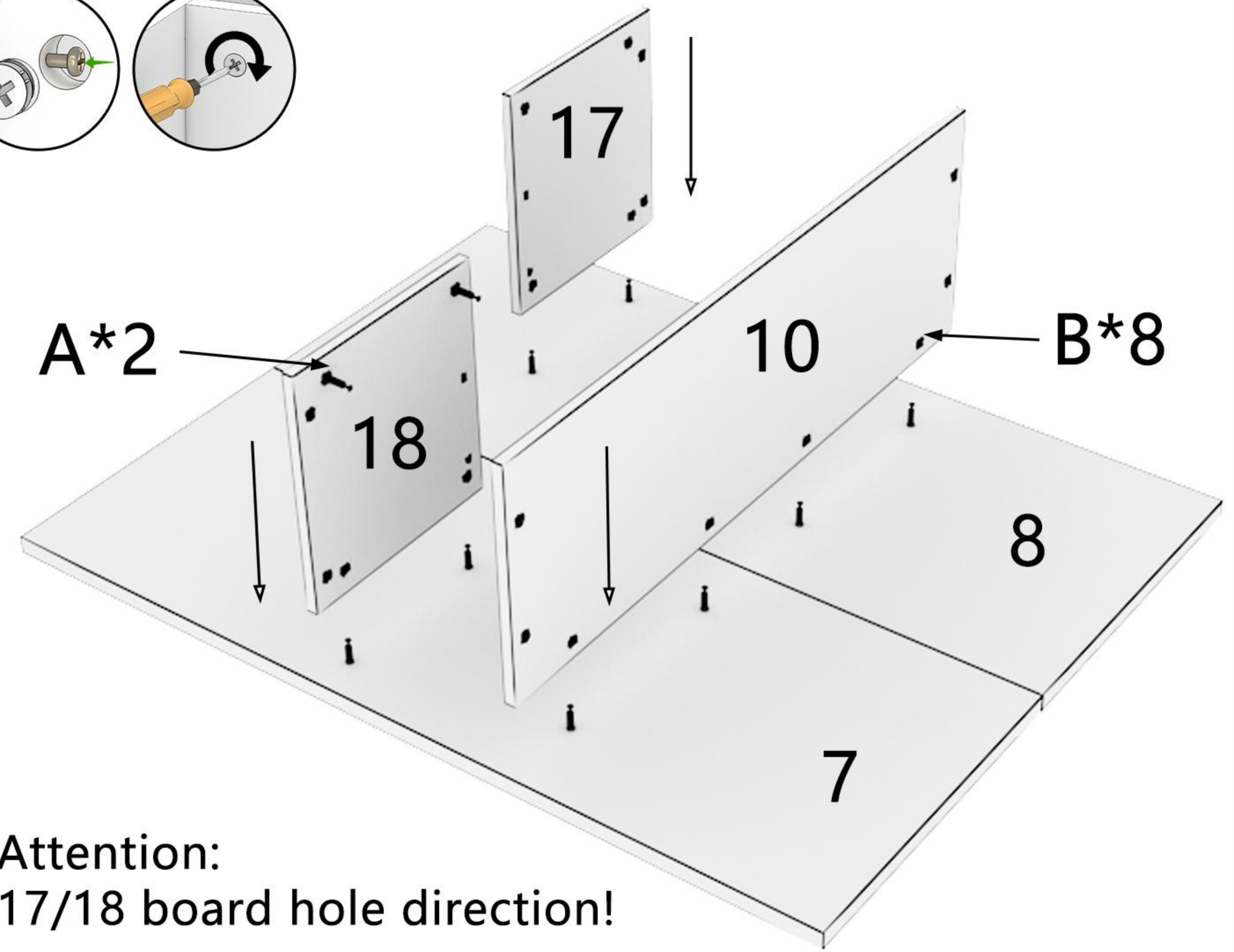
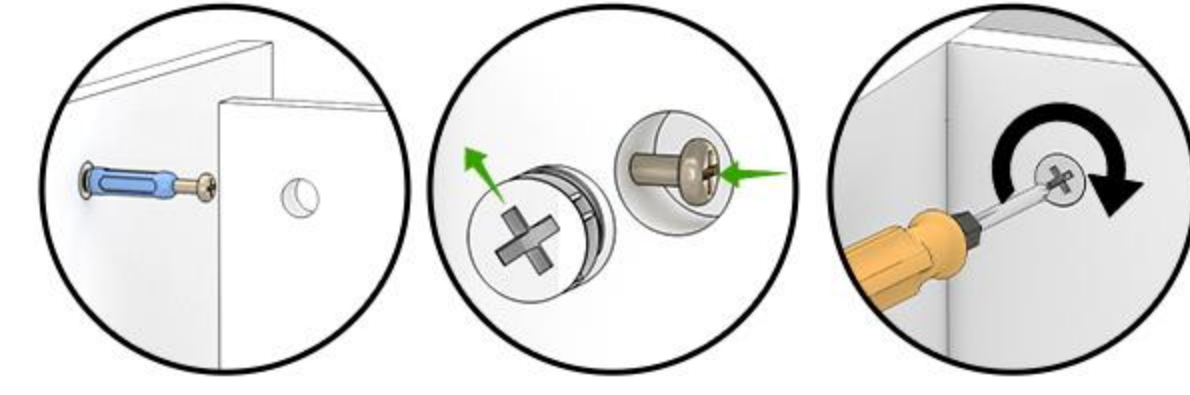
### STEP 1



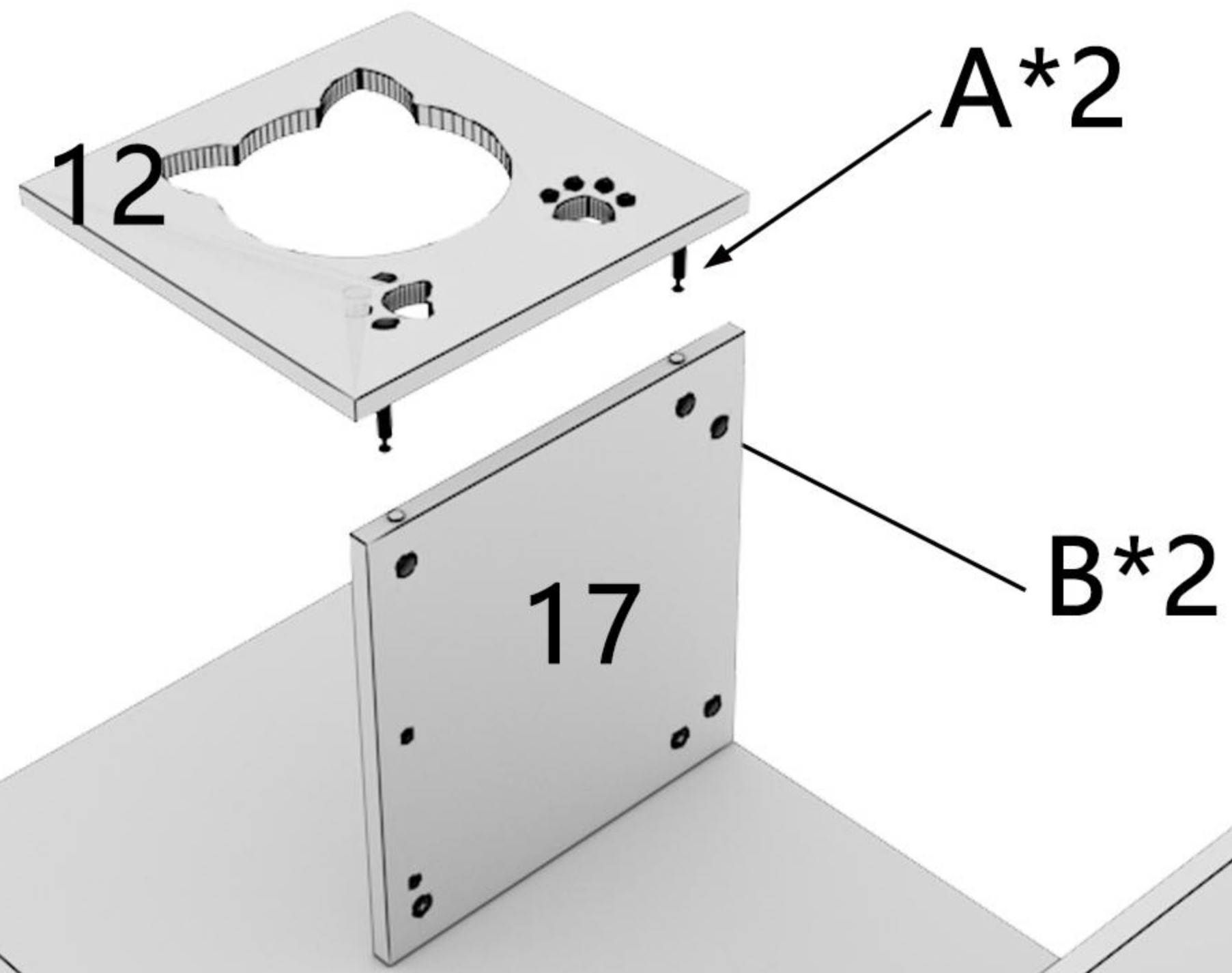
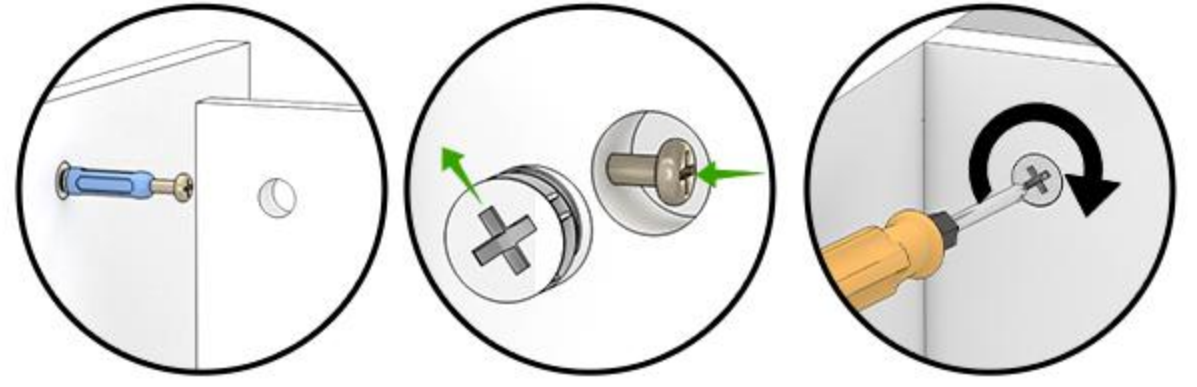
Attention:  
There is no need to connect  
the two boards!



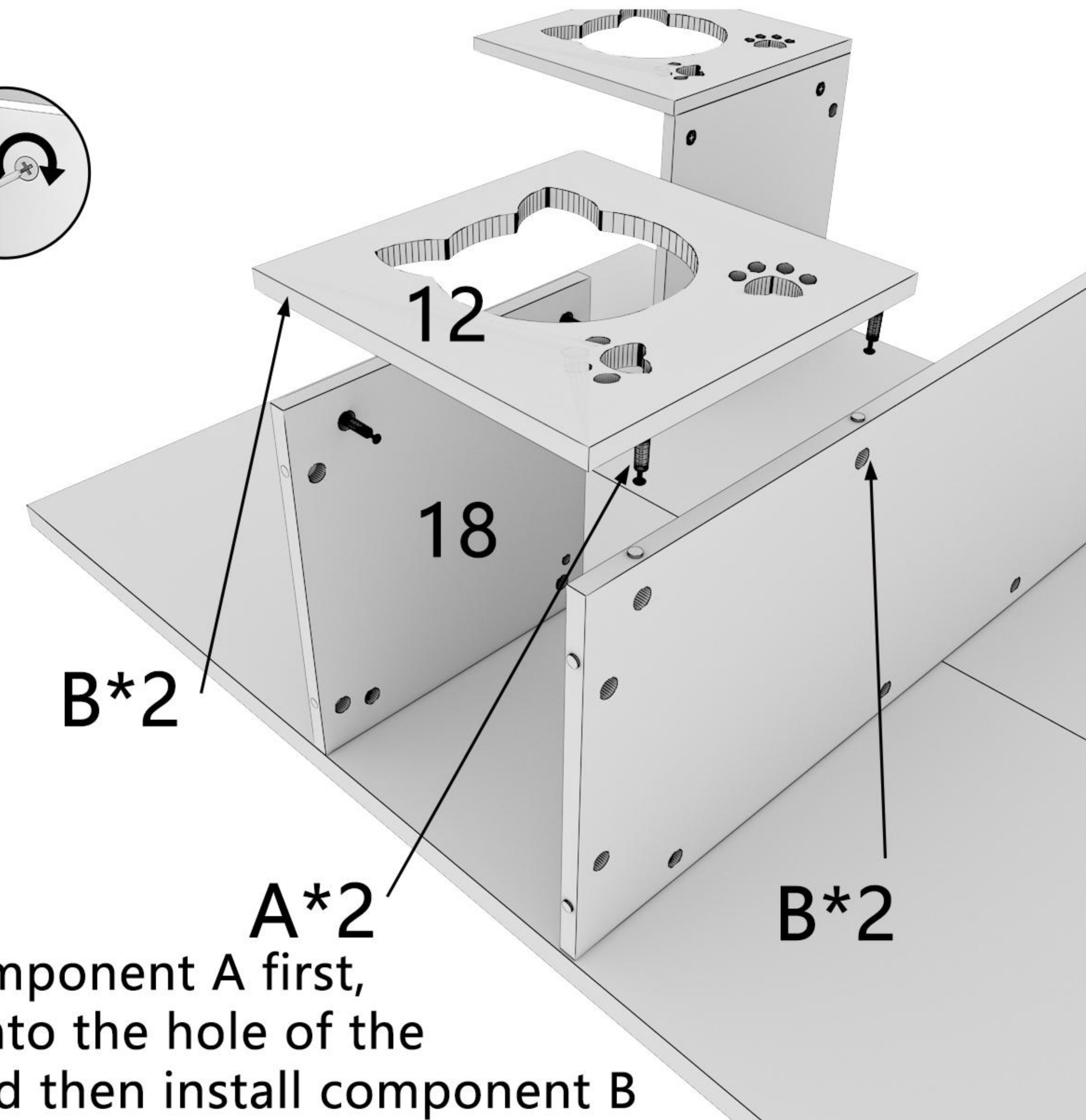
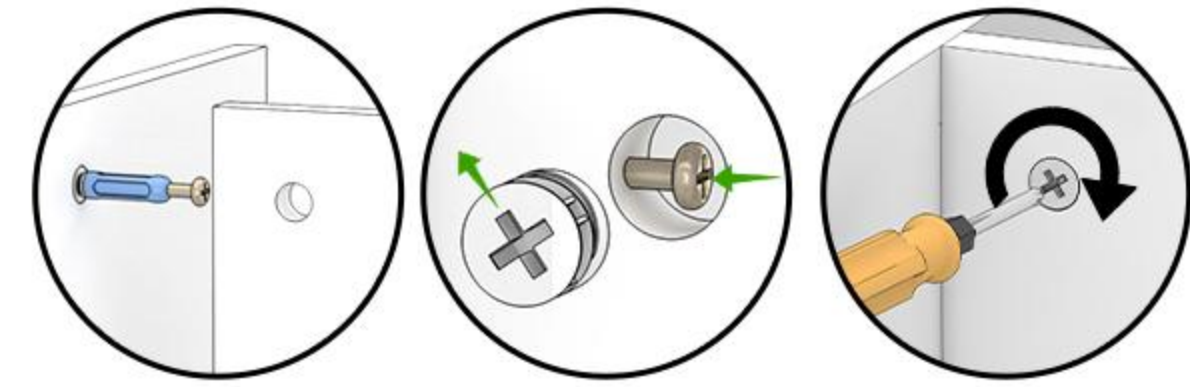
### STEP 2



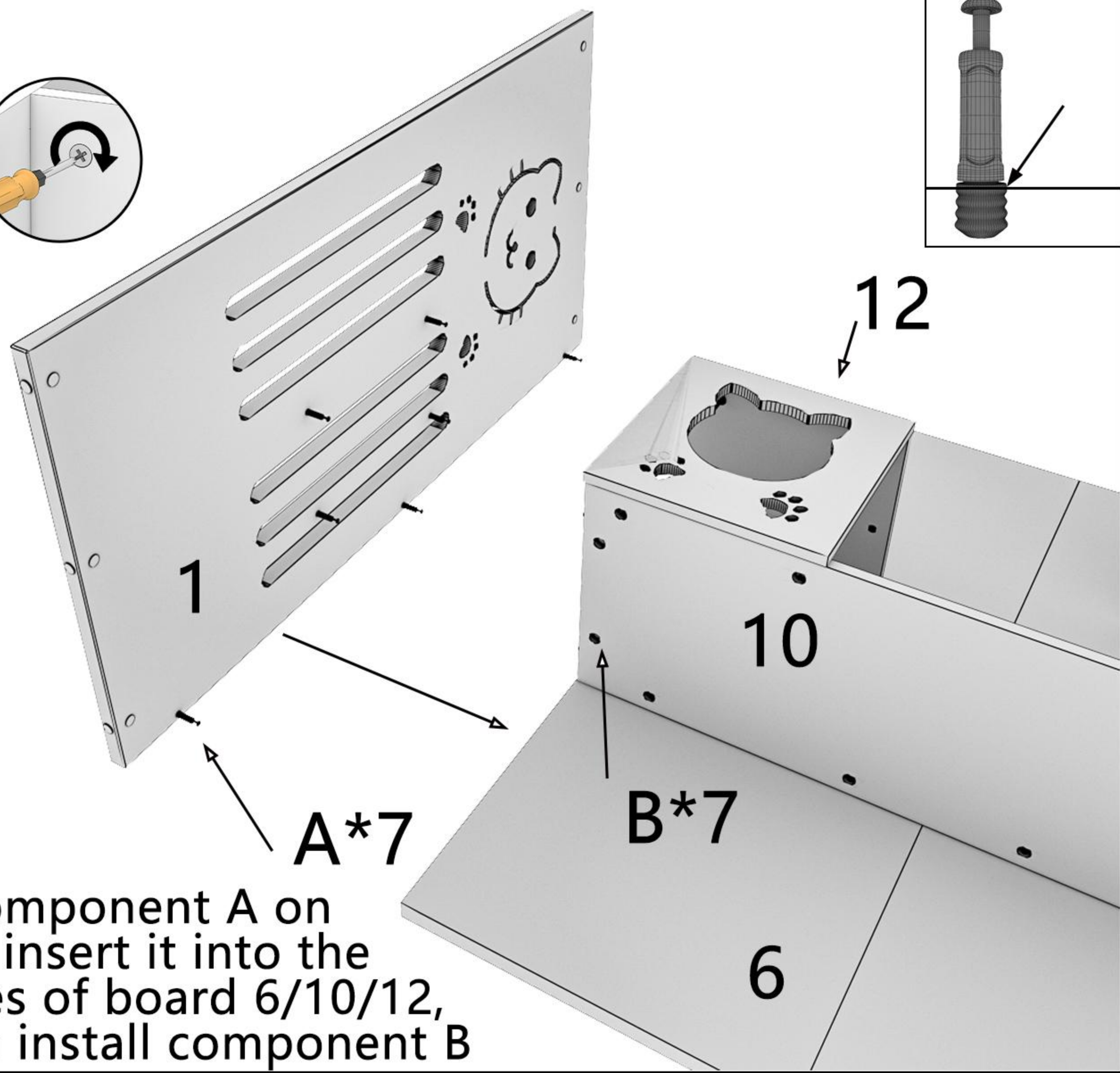
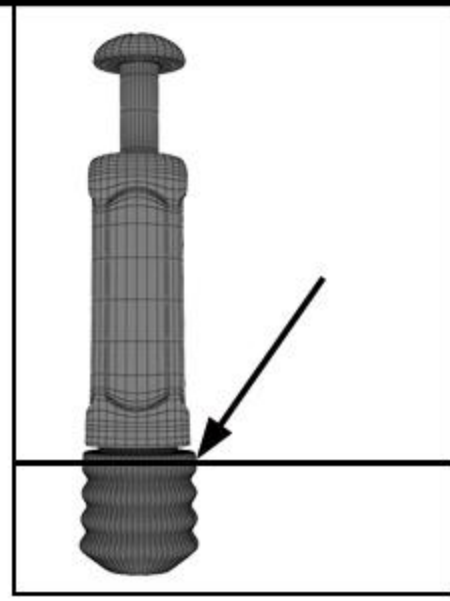
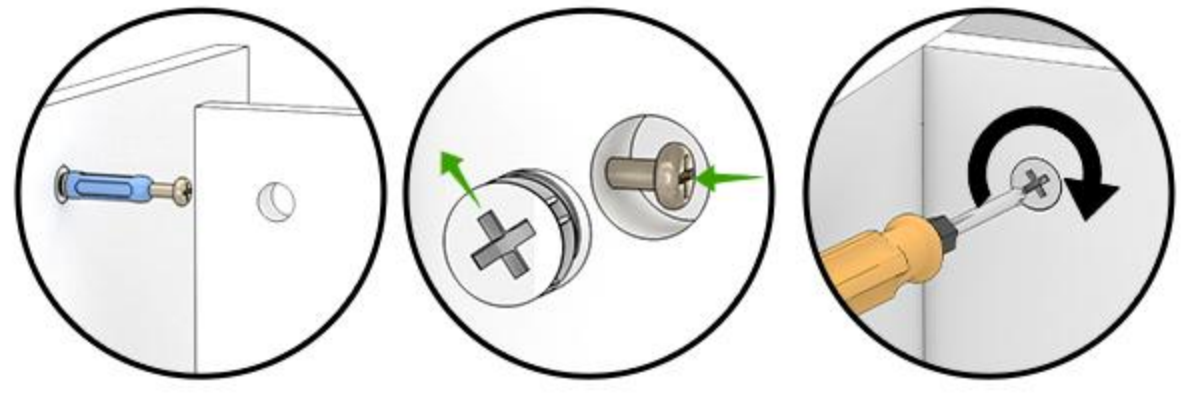
### STEP 3



### STEP 4

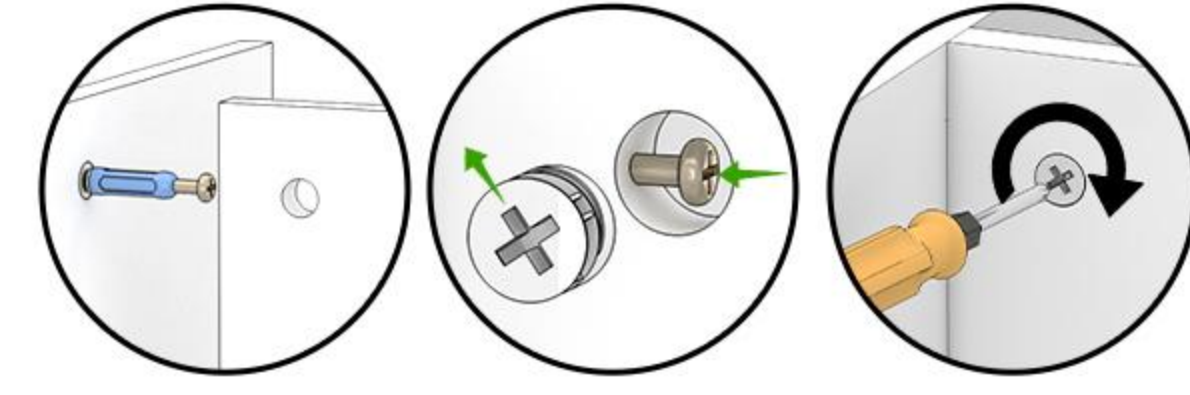


### STEP 5

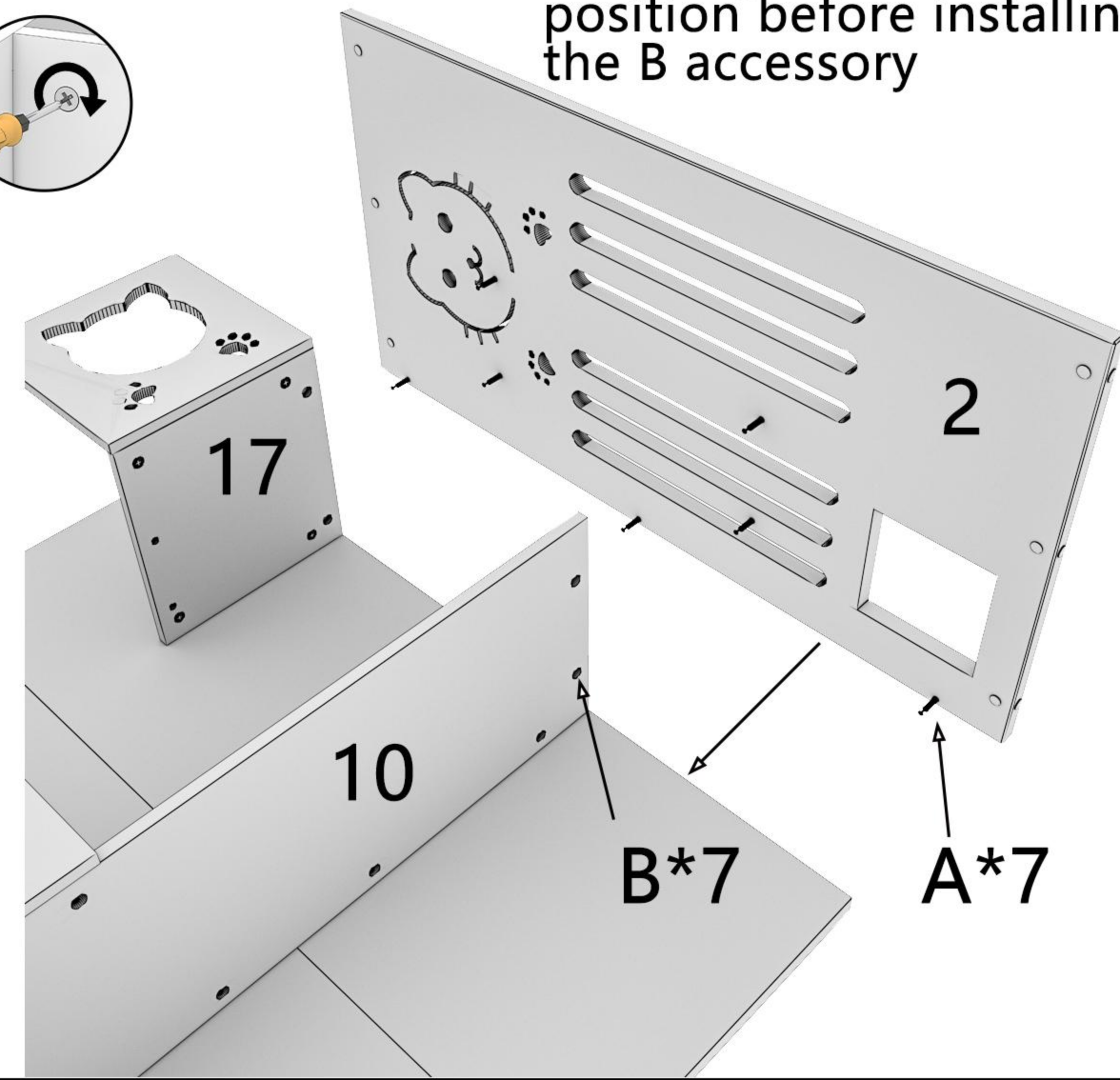


Install component A on board 1, insert it into the side holes of board 6/10/12, and then install component B

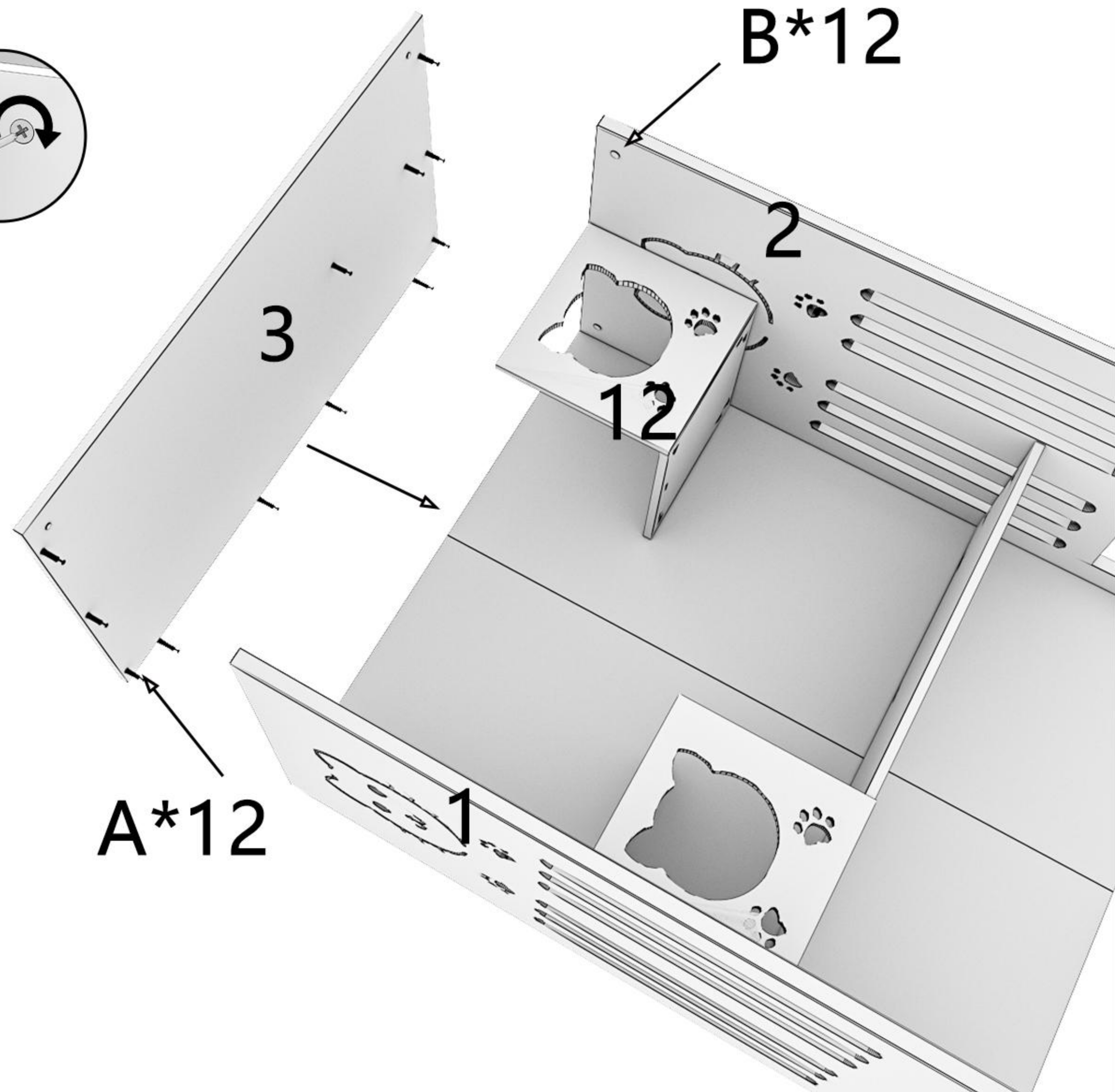
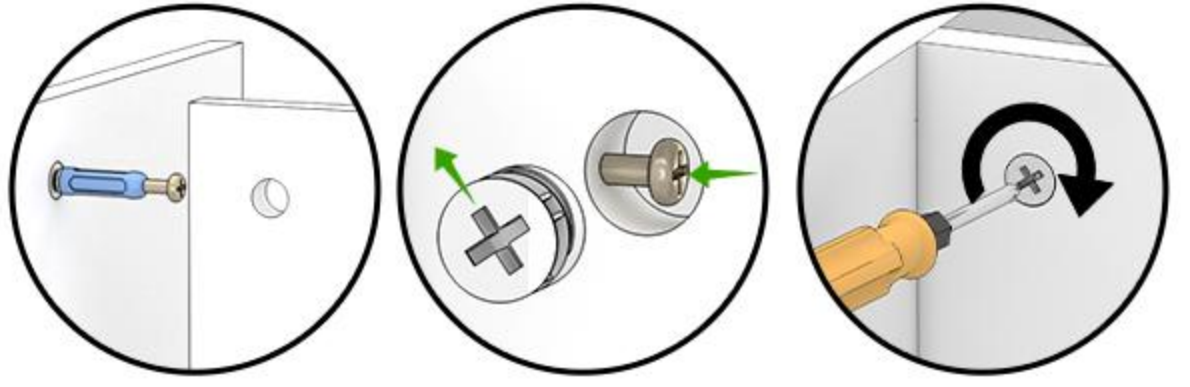
### STEP 6



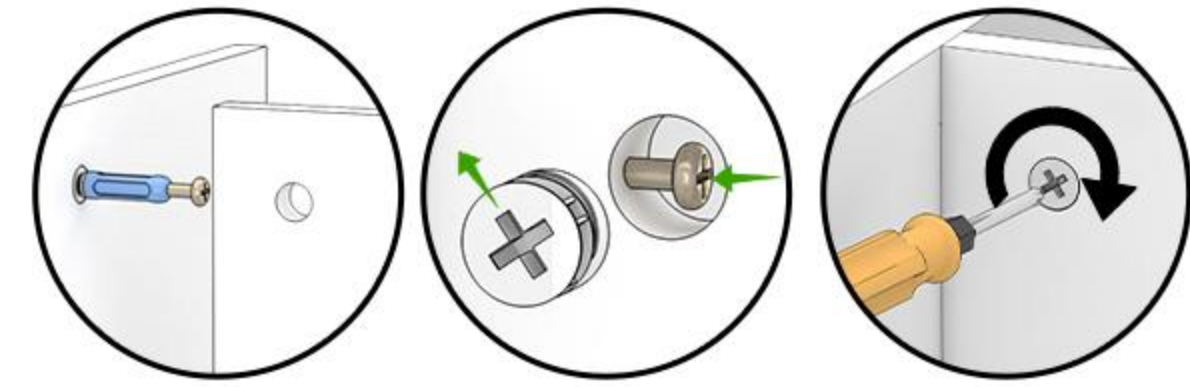
First, align the hole position before installing the B accessory



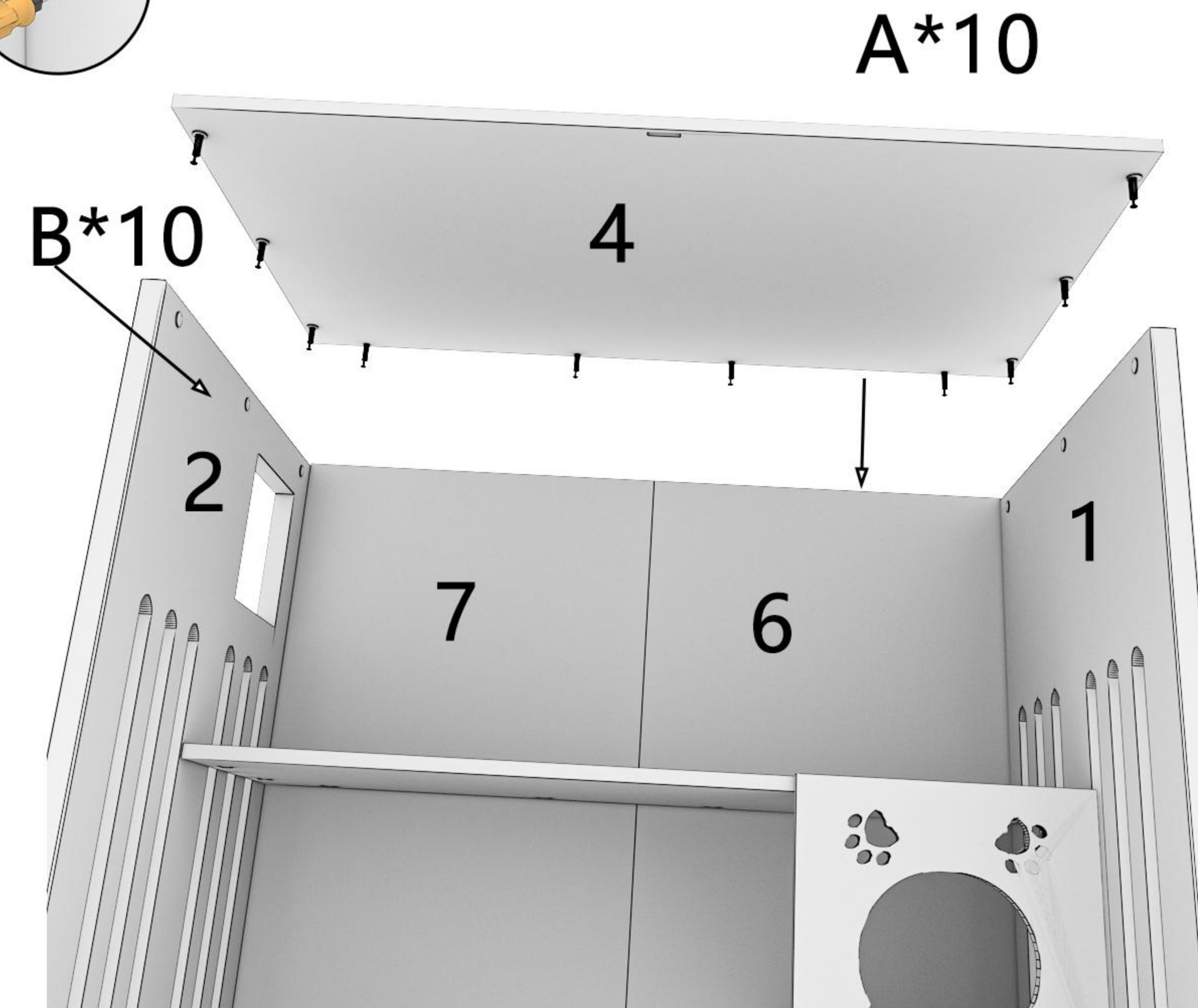
### STEP 7



### STEP 8

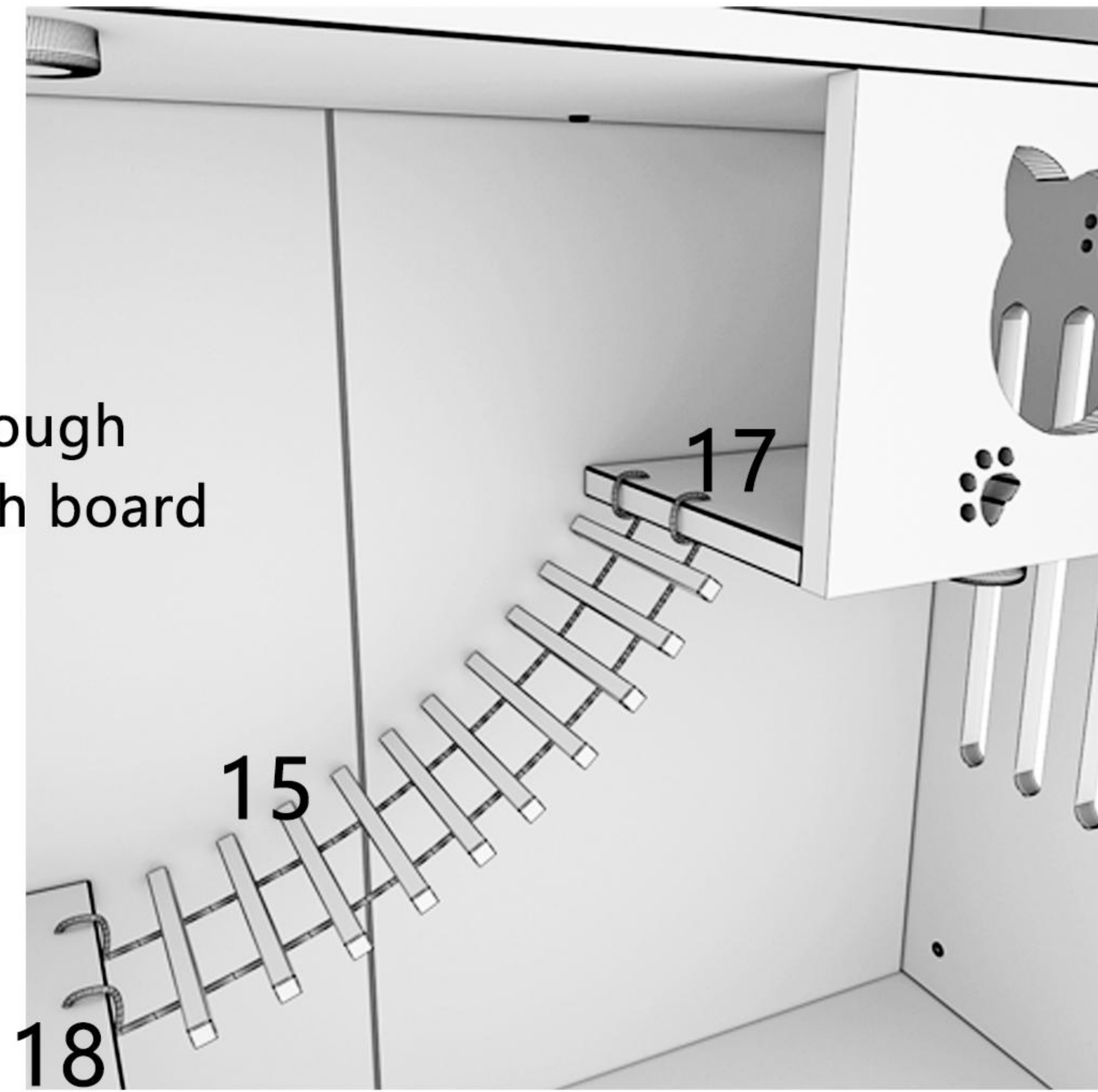


The holes for inserting A accessories need to be installed with B

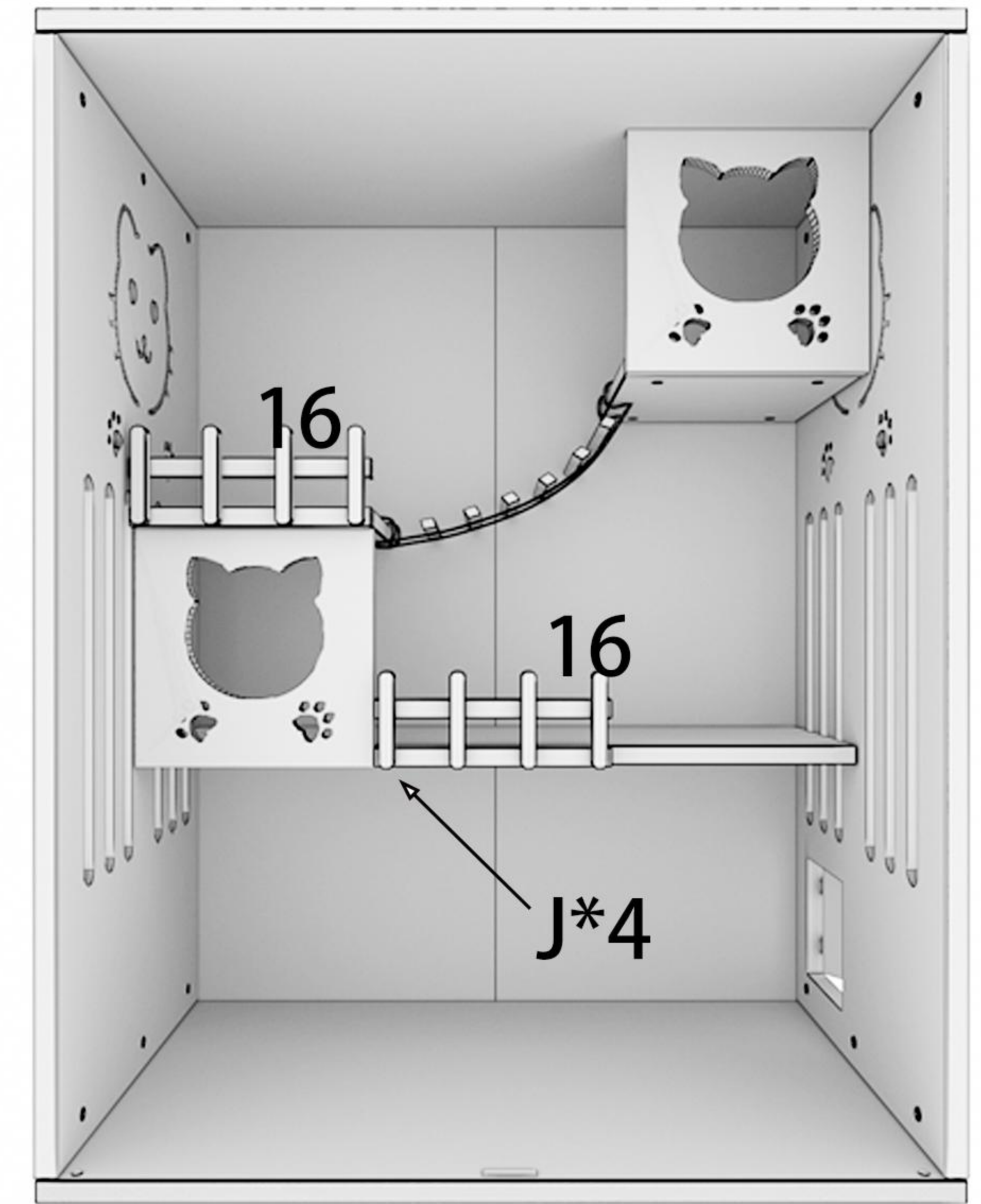
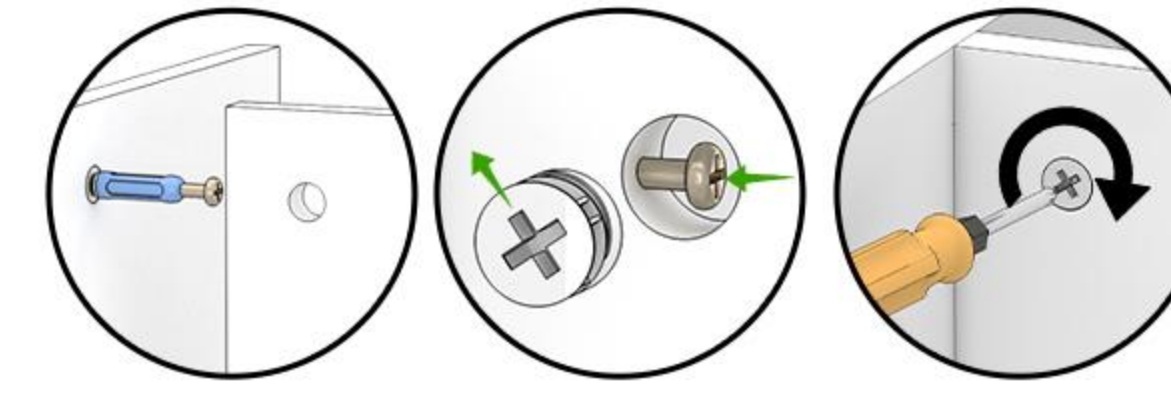


## STEP 9

Thread the 15th rope through the holes of the 17th/18th board and tie a loose knot

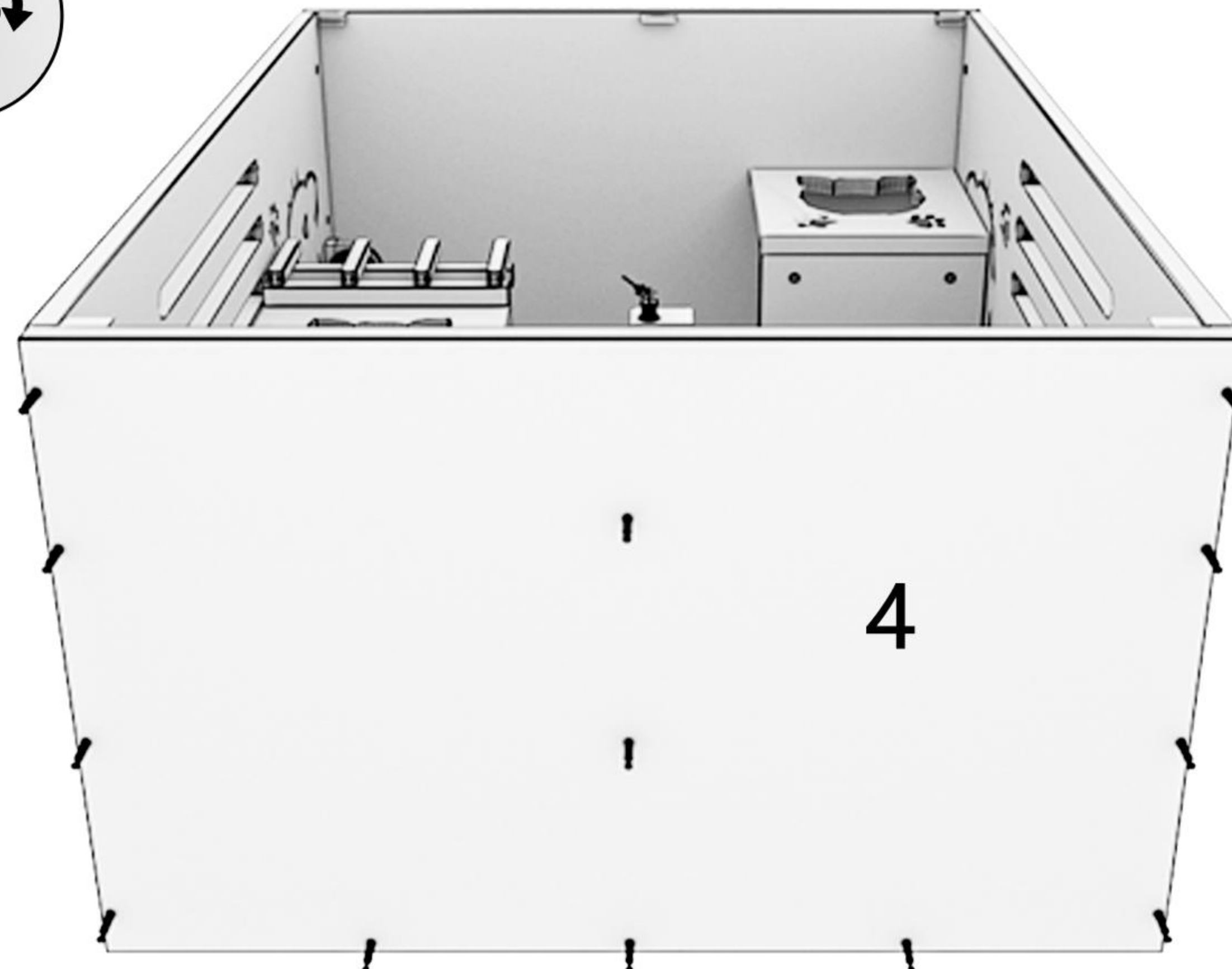
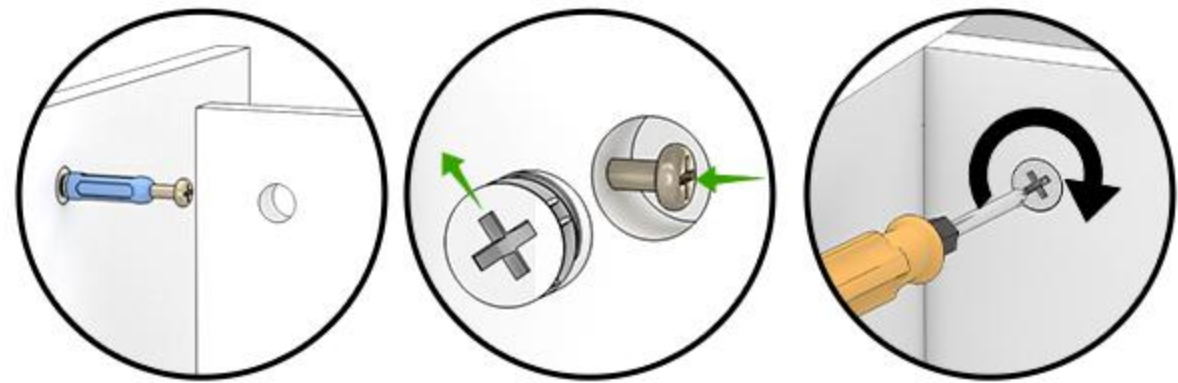


## STEP 10



## STEP 11

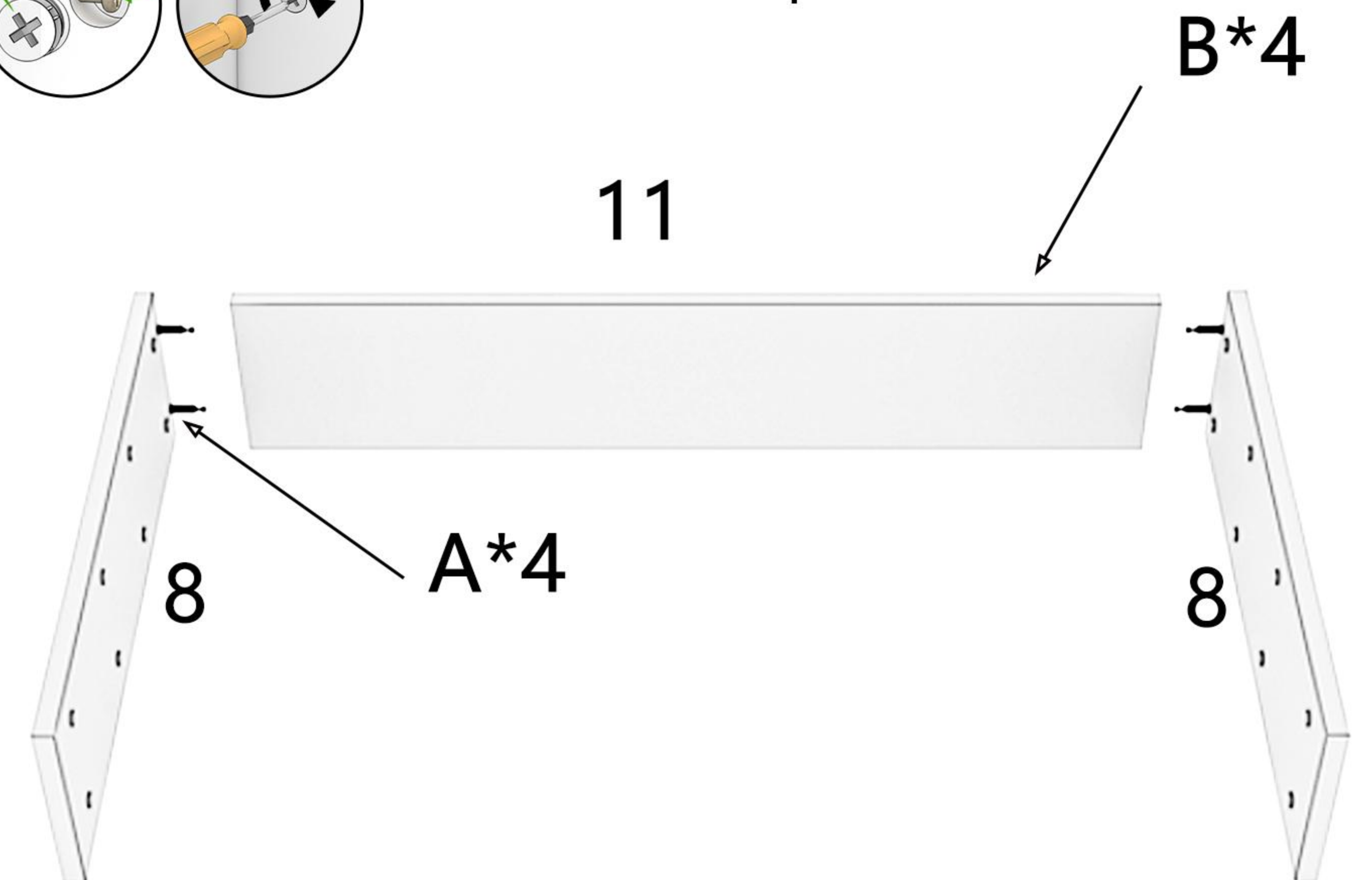
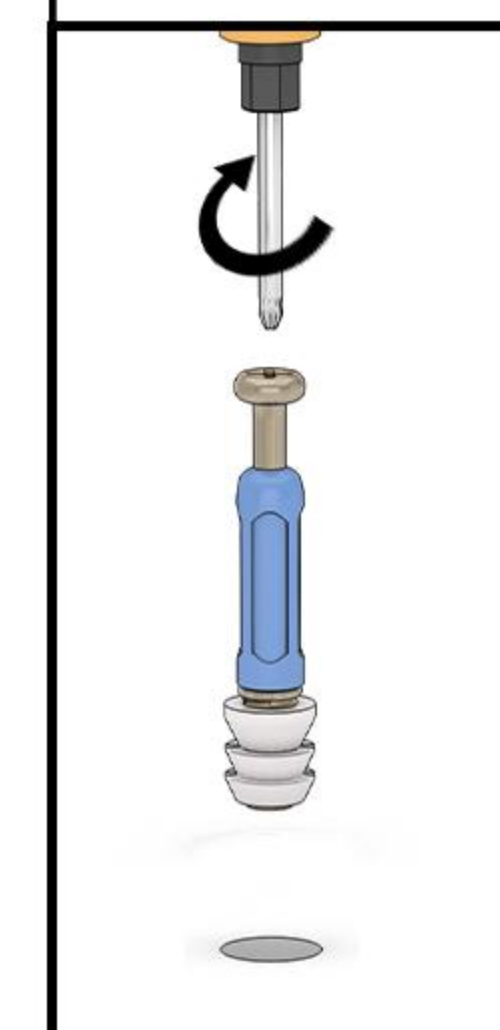
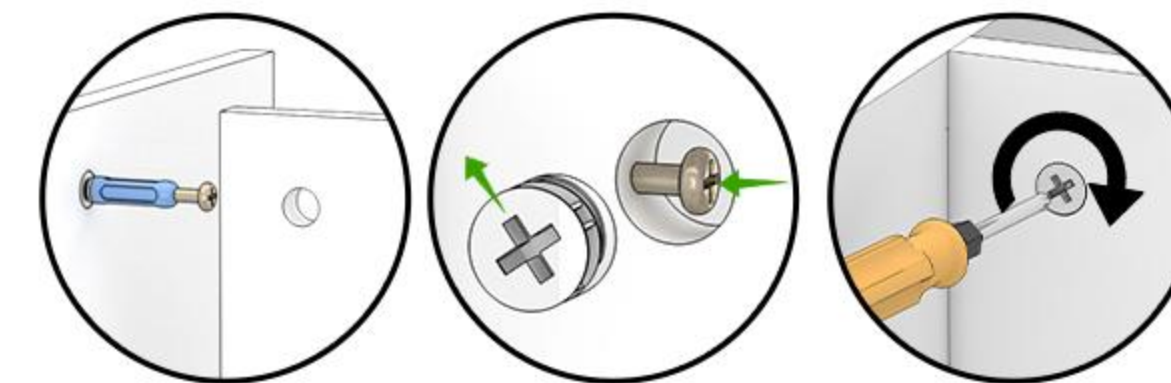
Note: This step is installed at the bottom of plate 4



A\*13

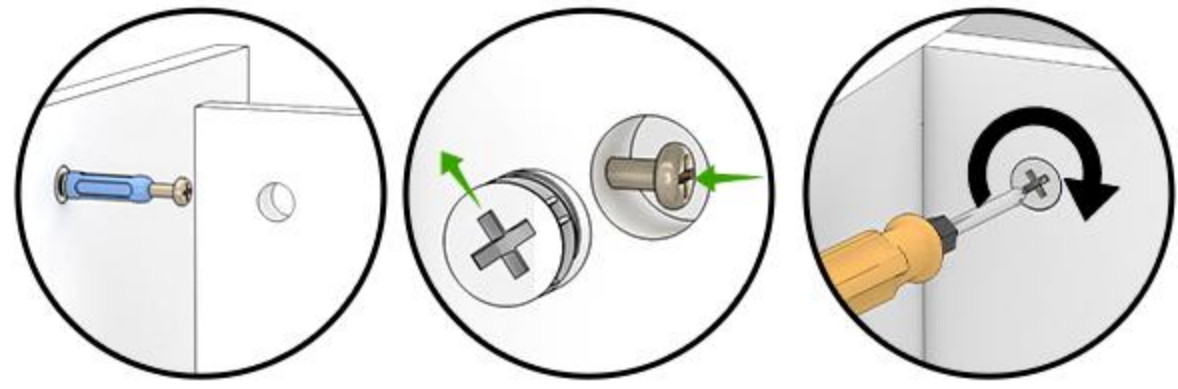
## STEP 12

B accessory is installed on the back of plate 11

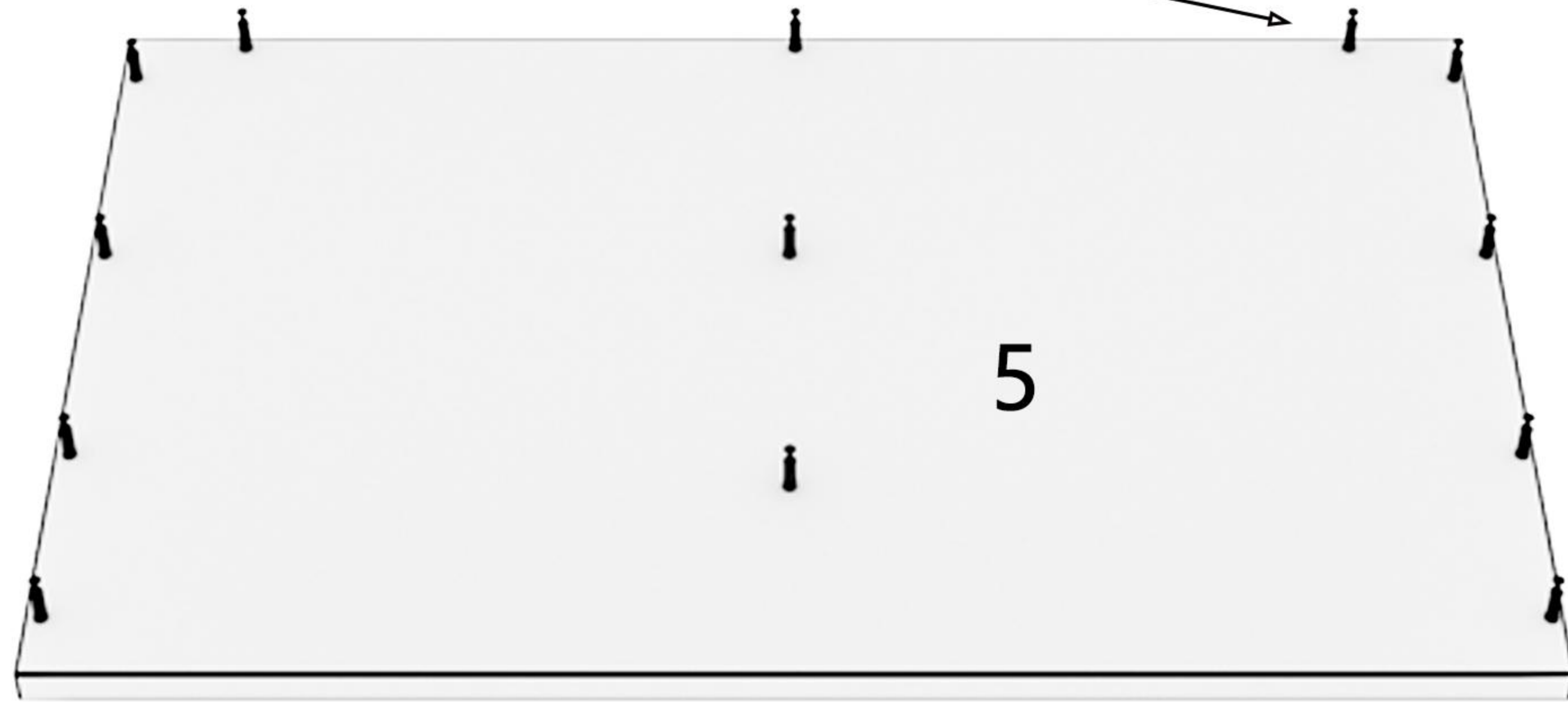


8

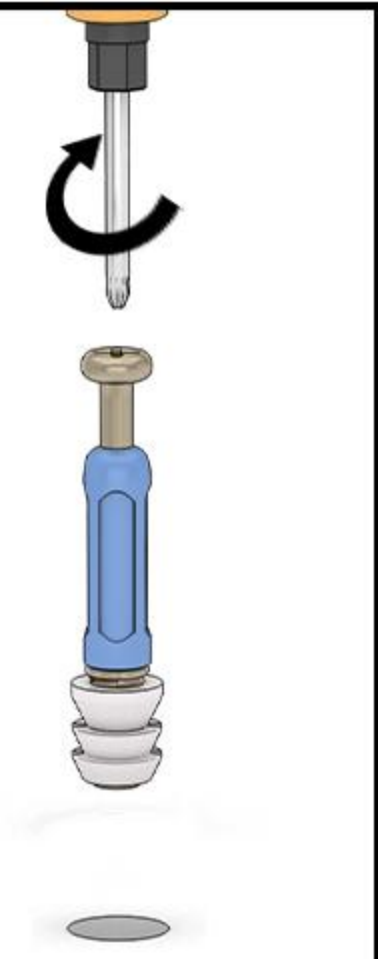
### STEP 13



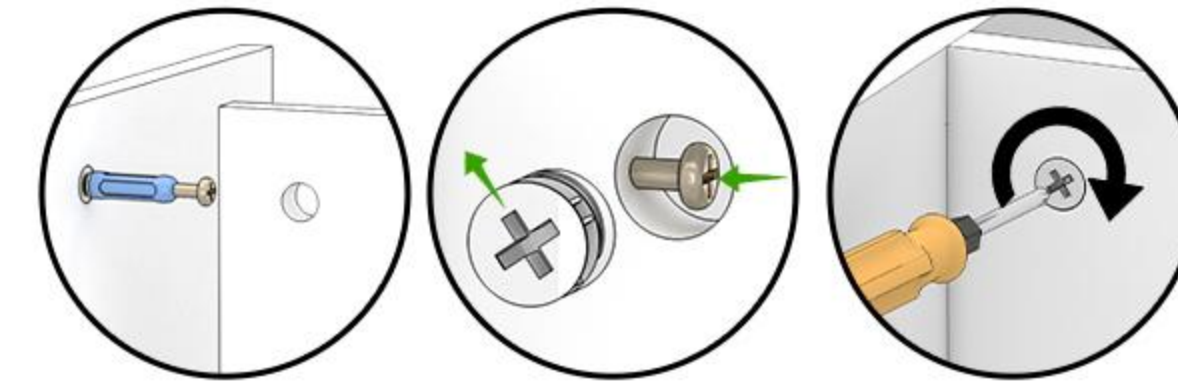
A\*13



5

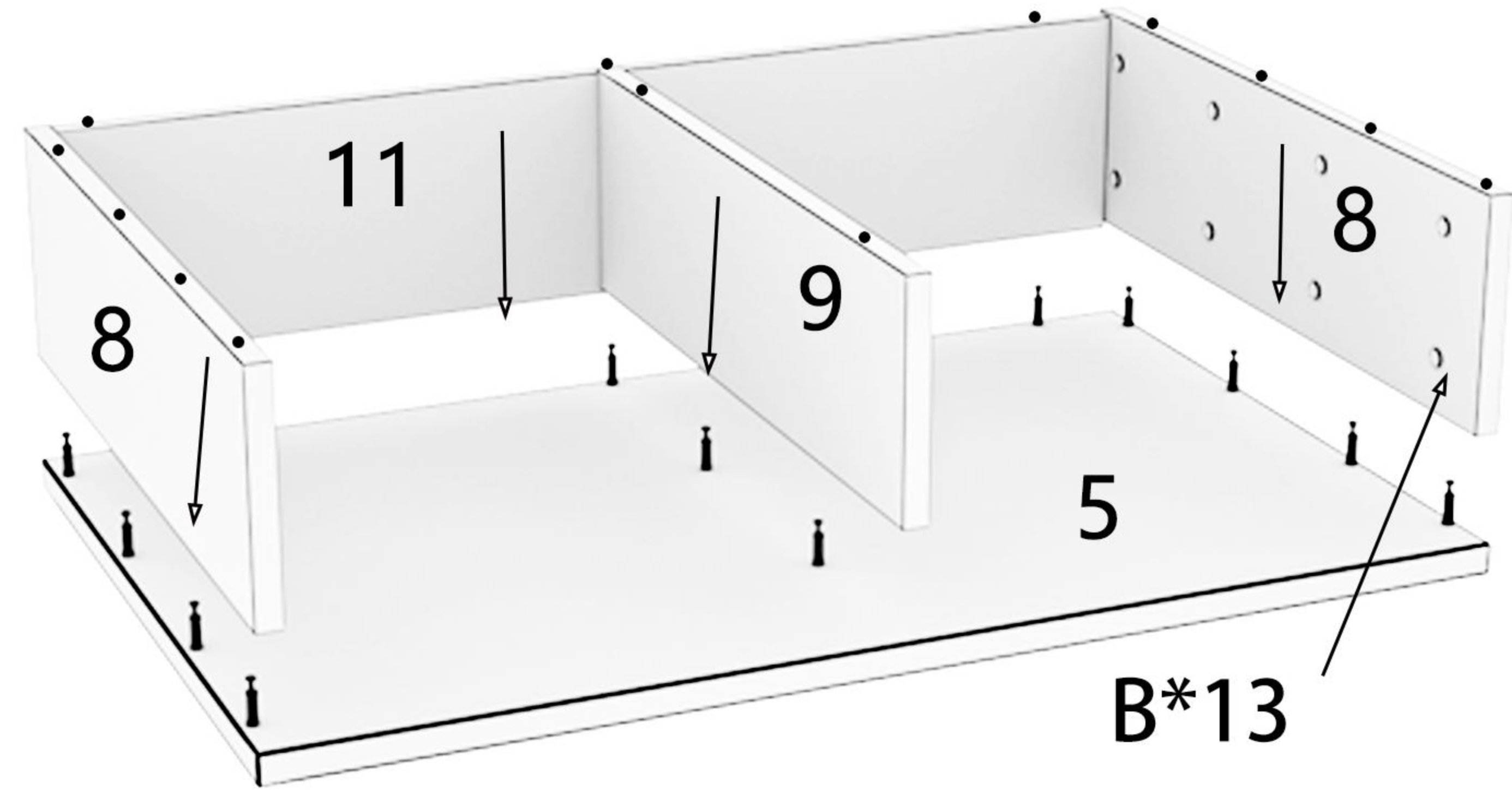


### STEP 14



Insert part A of sheet 5 into the hole position of sheet 8/9/11

Insert the B accessory into the corresponding hole position and rotate it to fix it



11

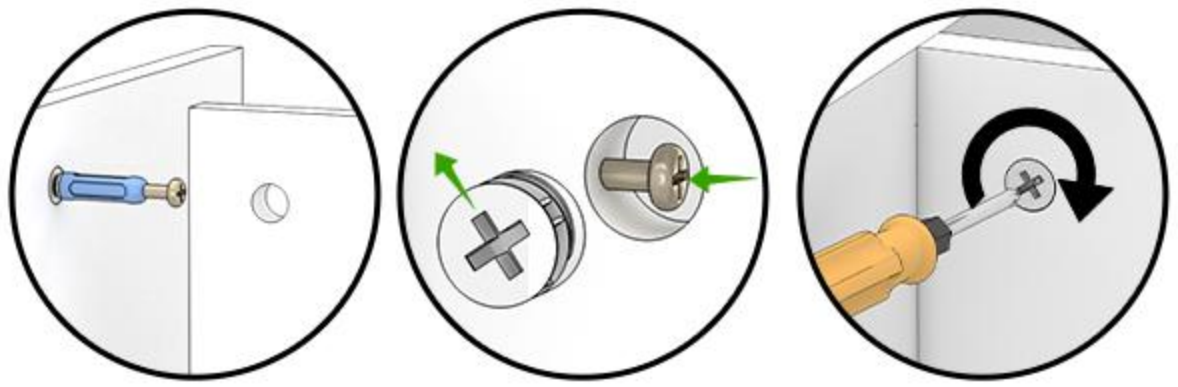
8

9

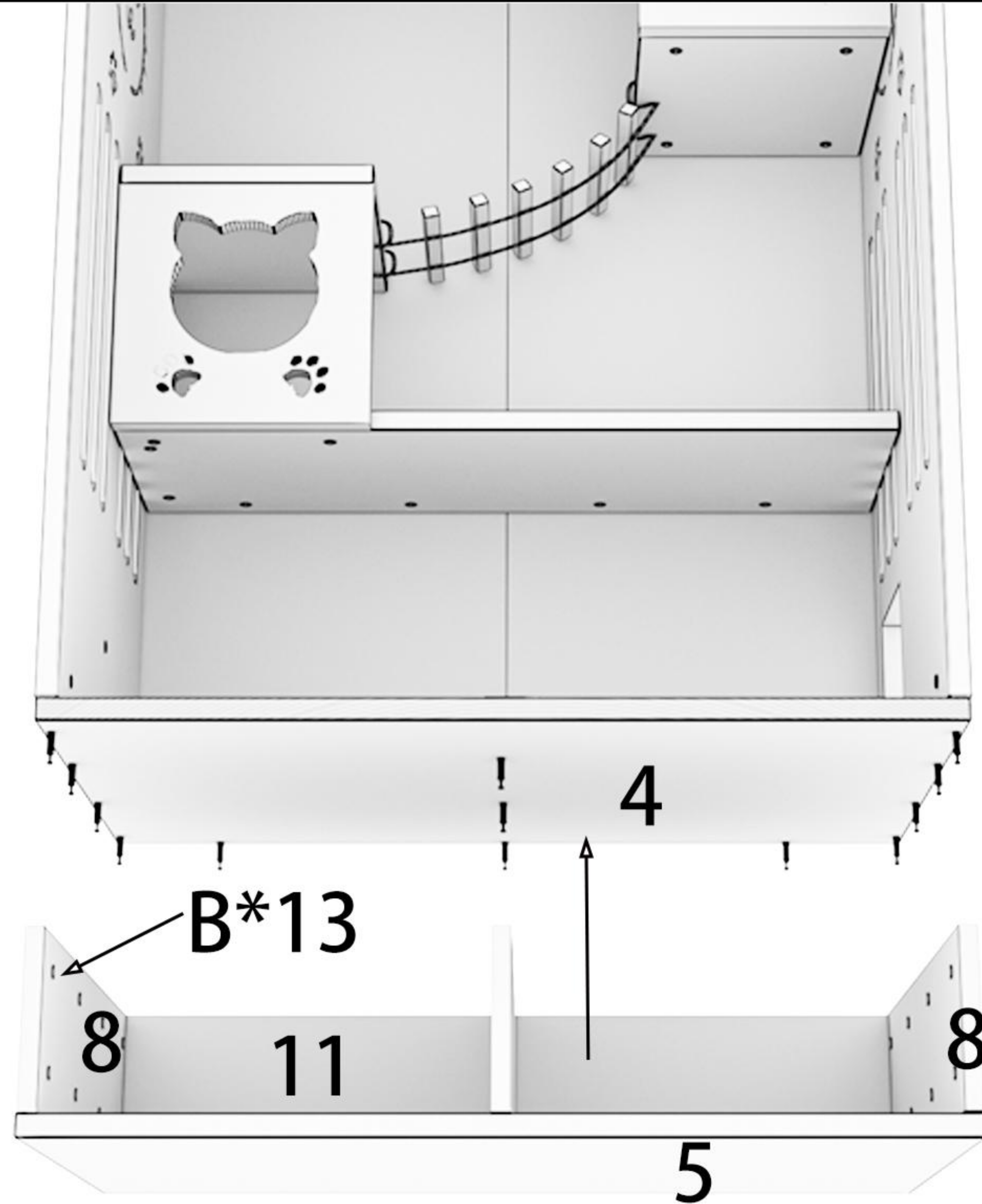
5

B\*13

### STEP 15



Align the top hole on 8/9/11 with part A of plate 4 and fix it with part B



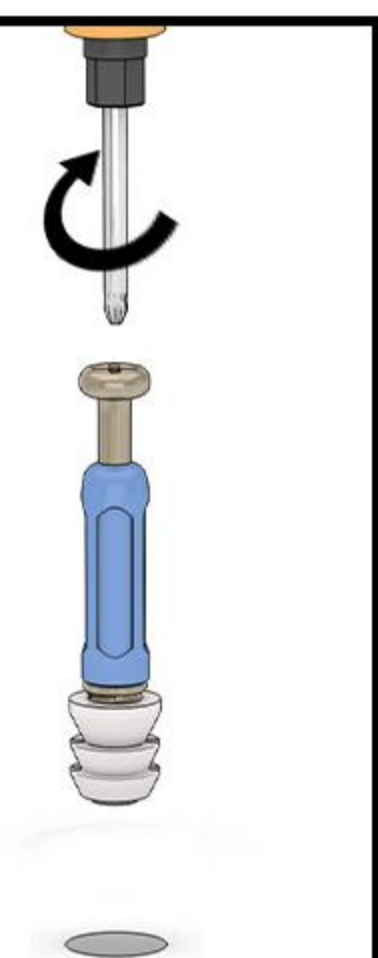
4

B\*13

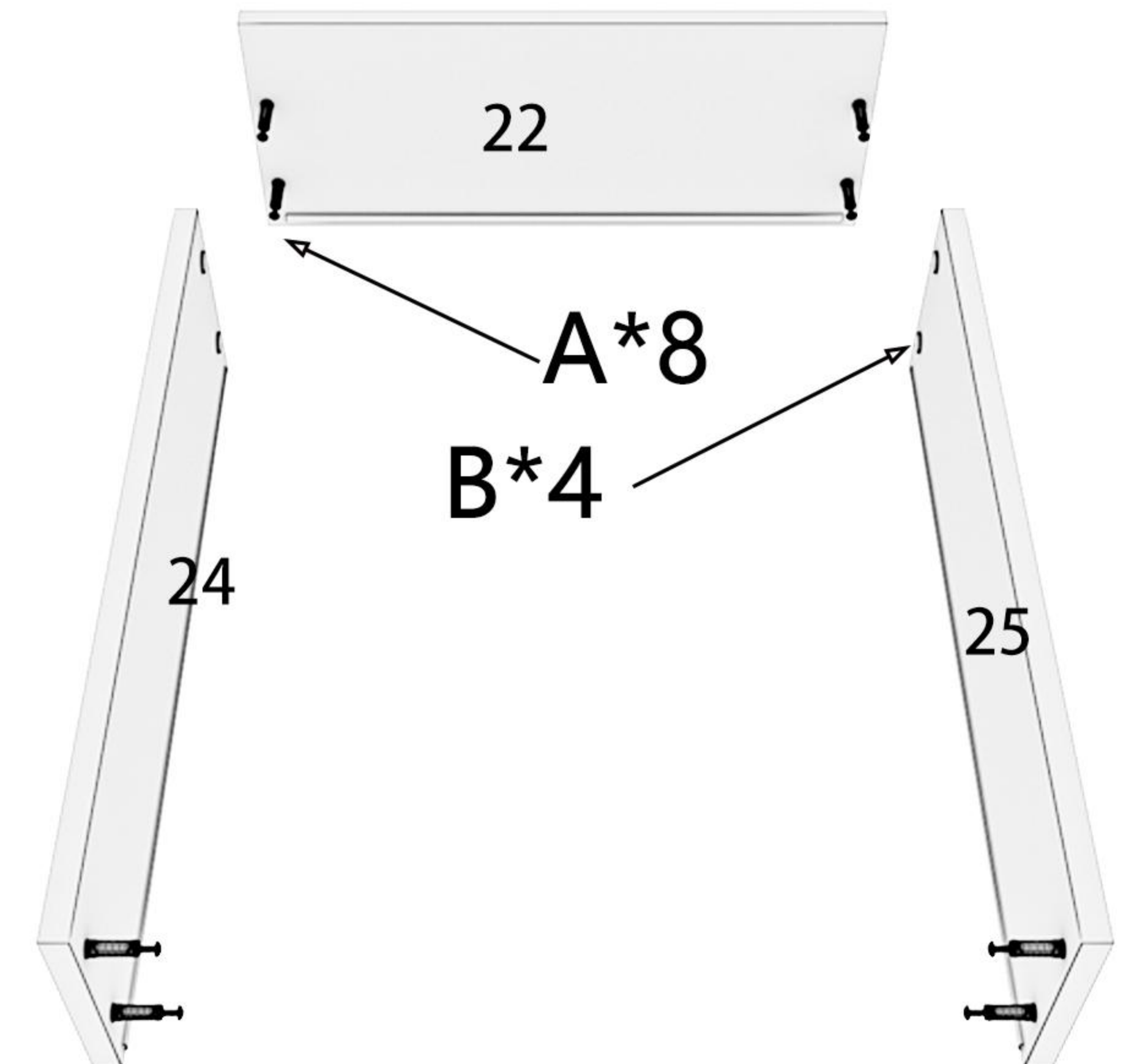
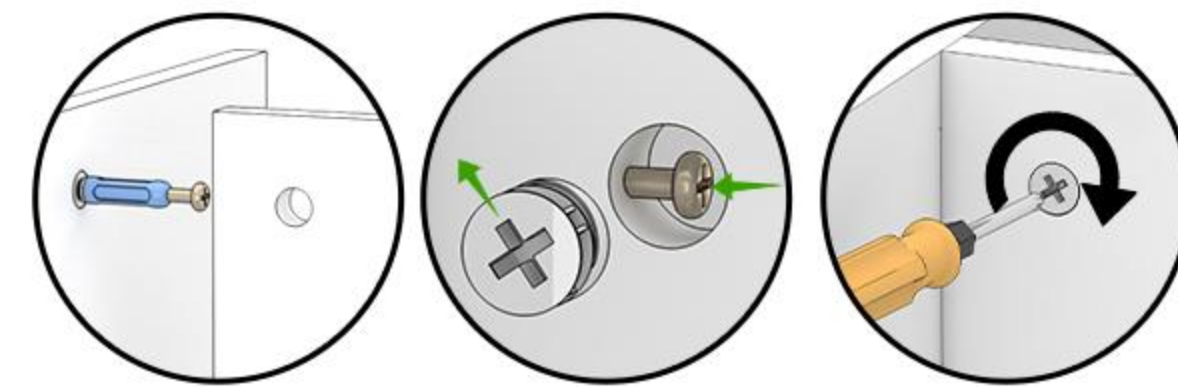
8

11

5



### STEP 16



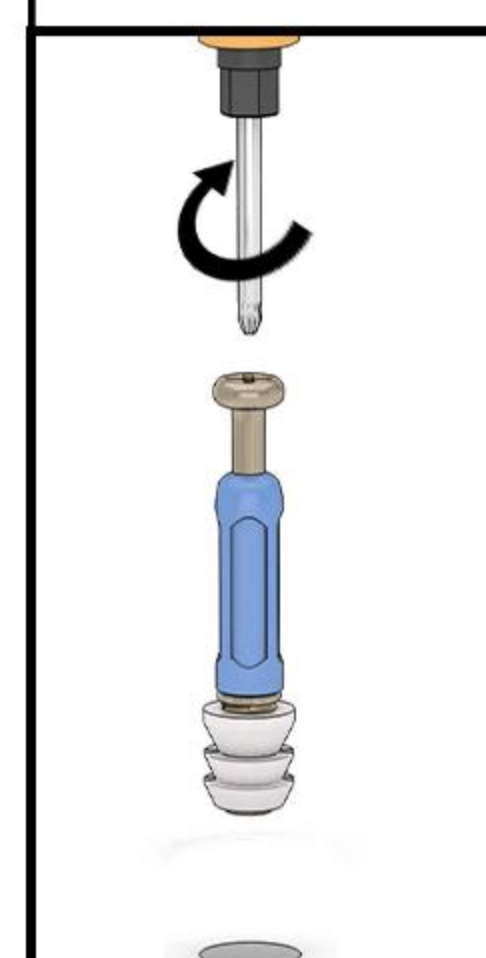
22

A\*8

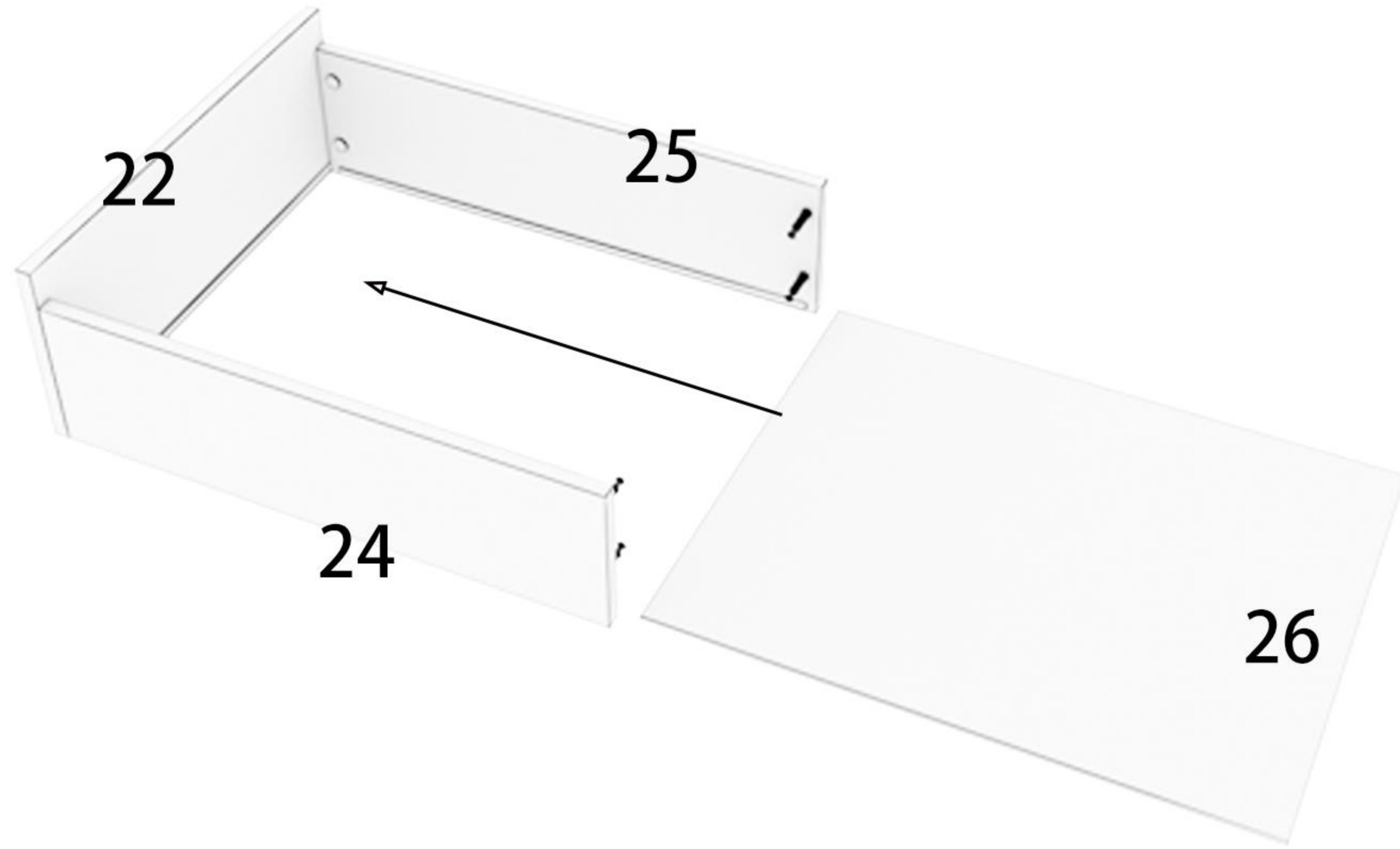
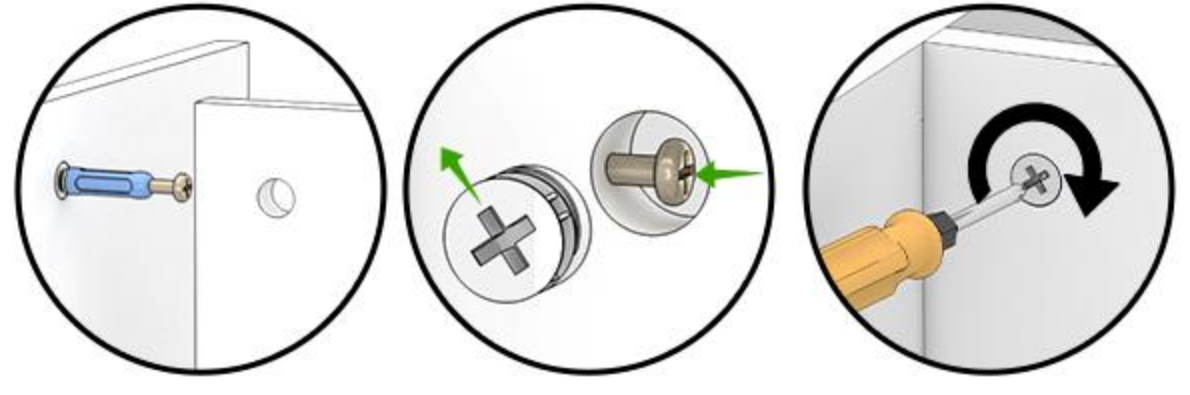
B\*4

24

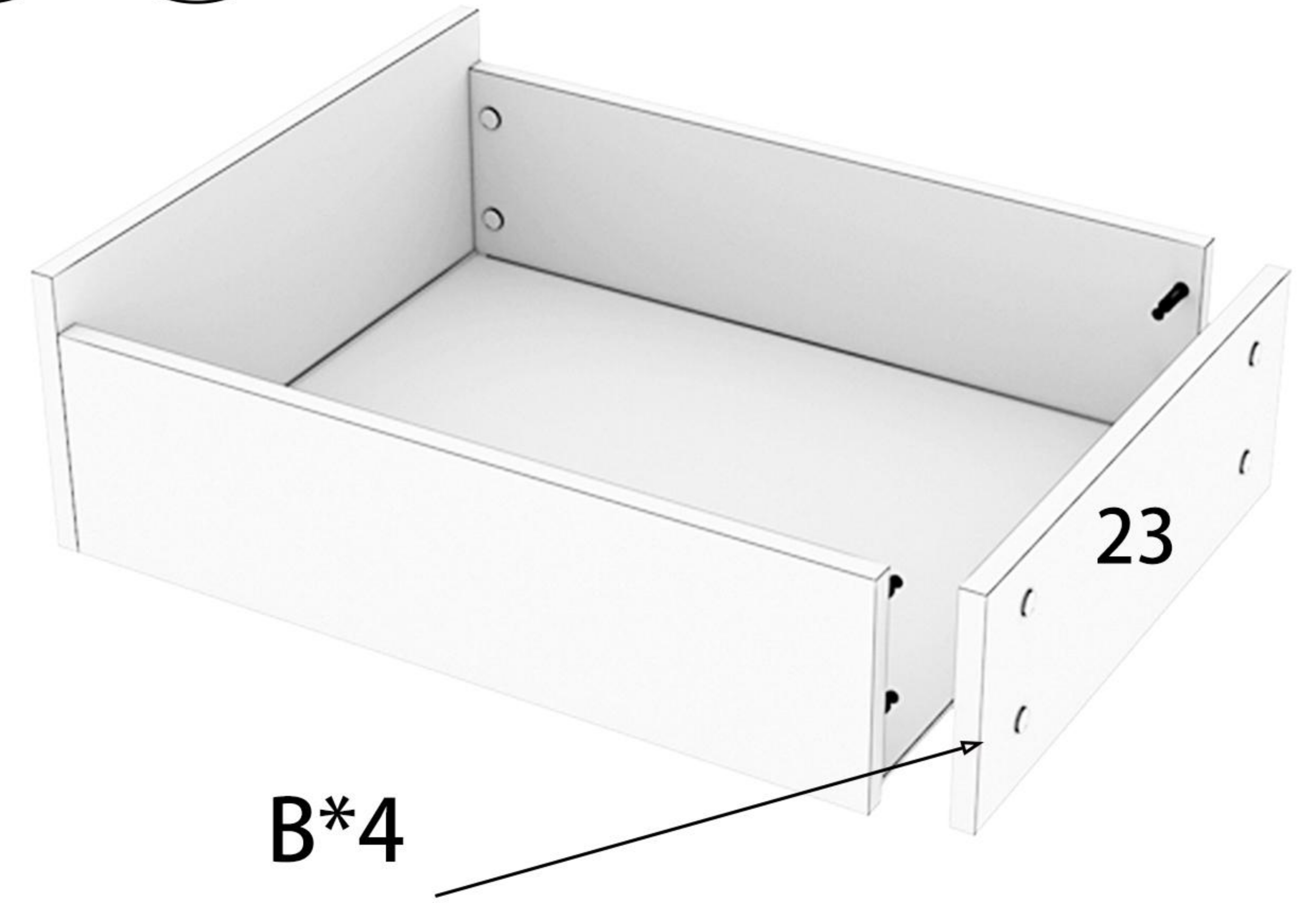
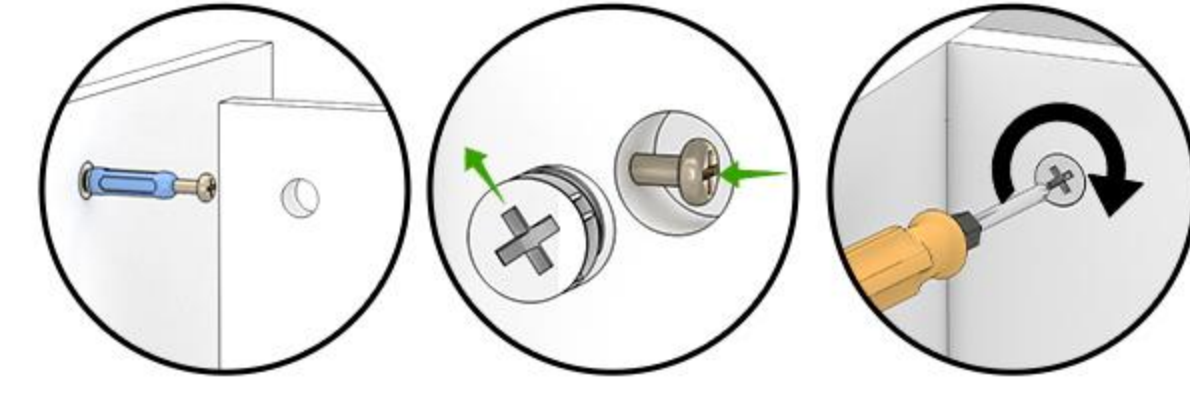
25



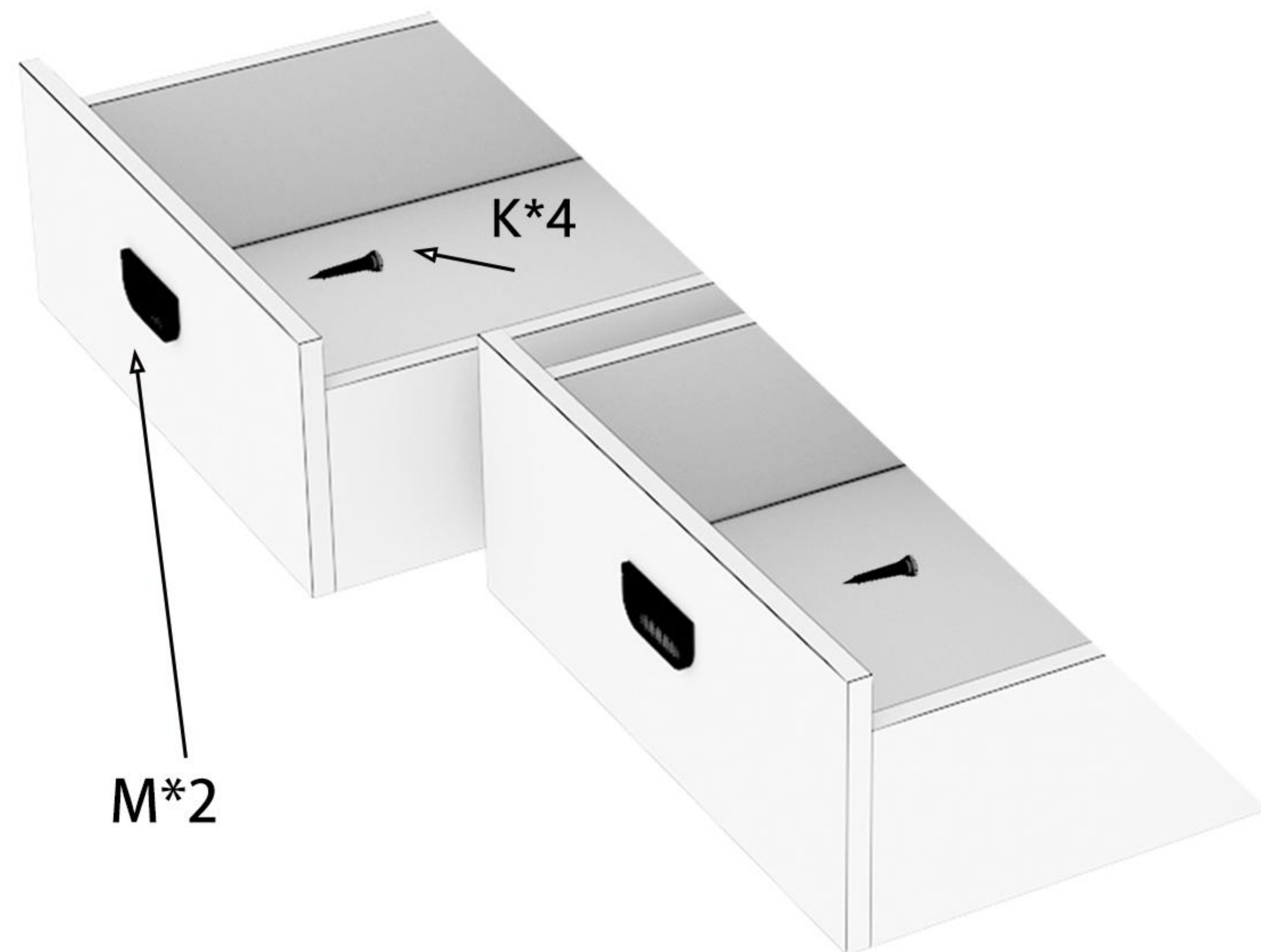
### STEP 17



### STEP 18



### STEP 19



### STEP 20

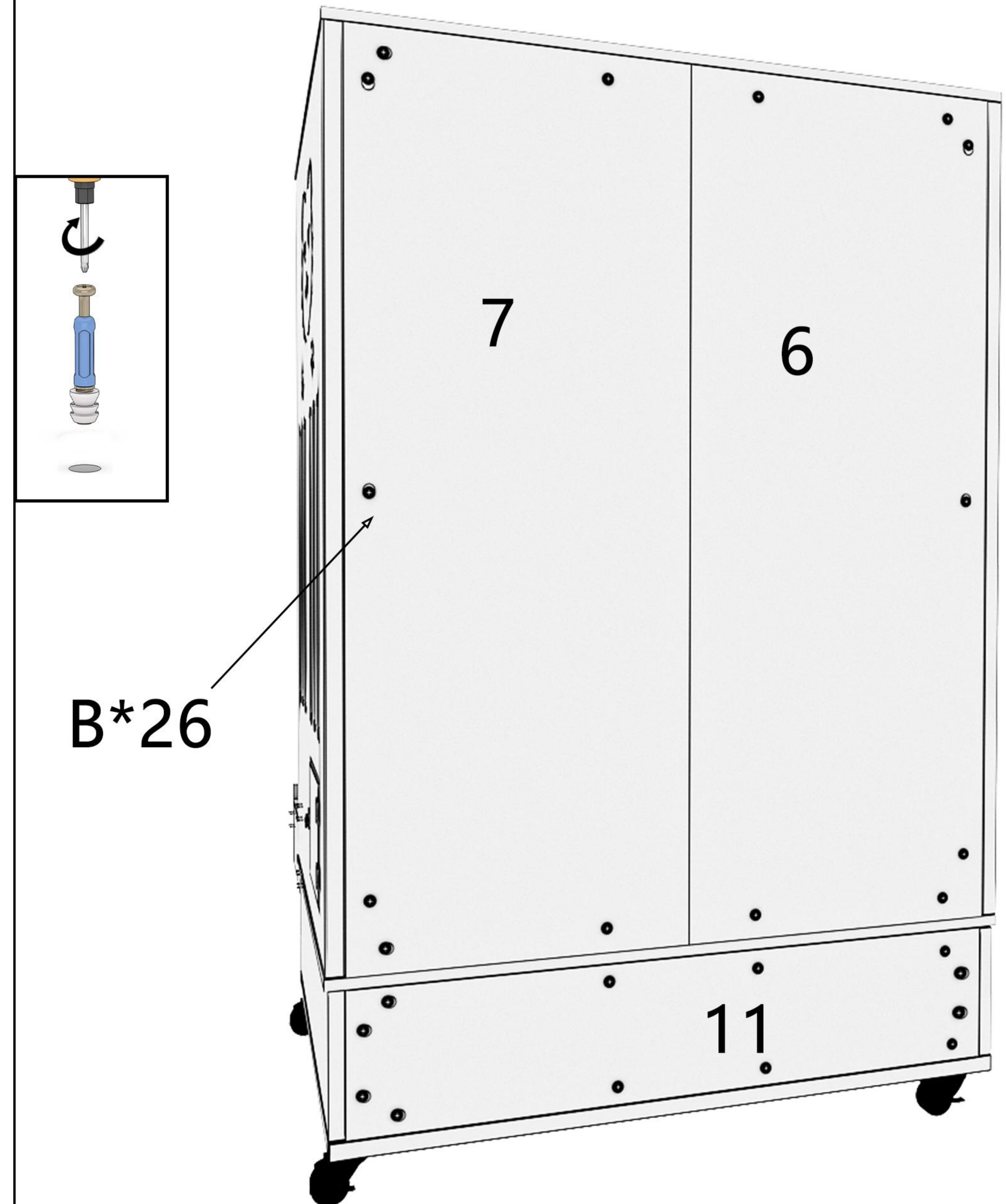
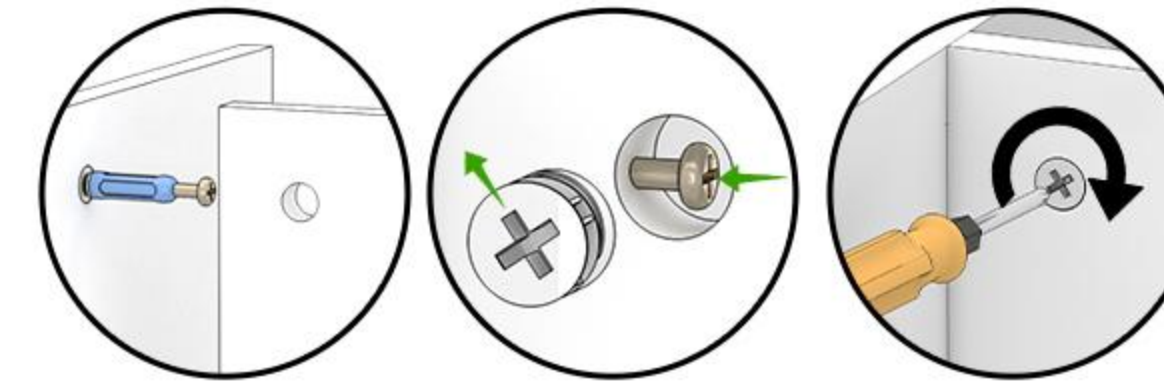


## STEP 21

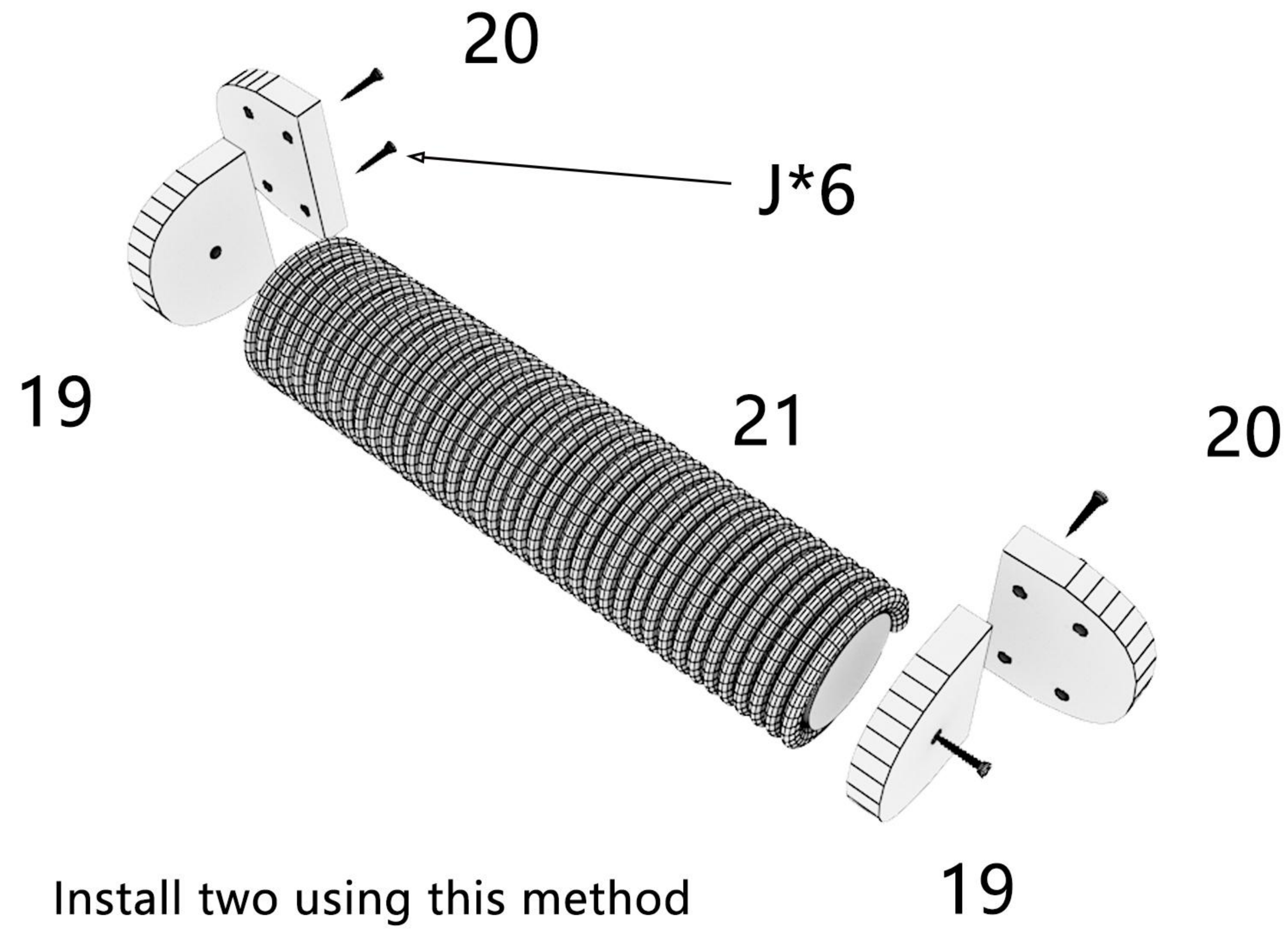
This step selects the installation according to the requirements



## STEP 22

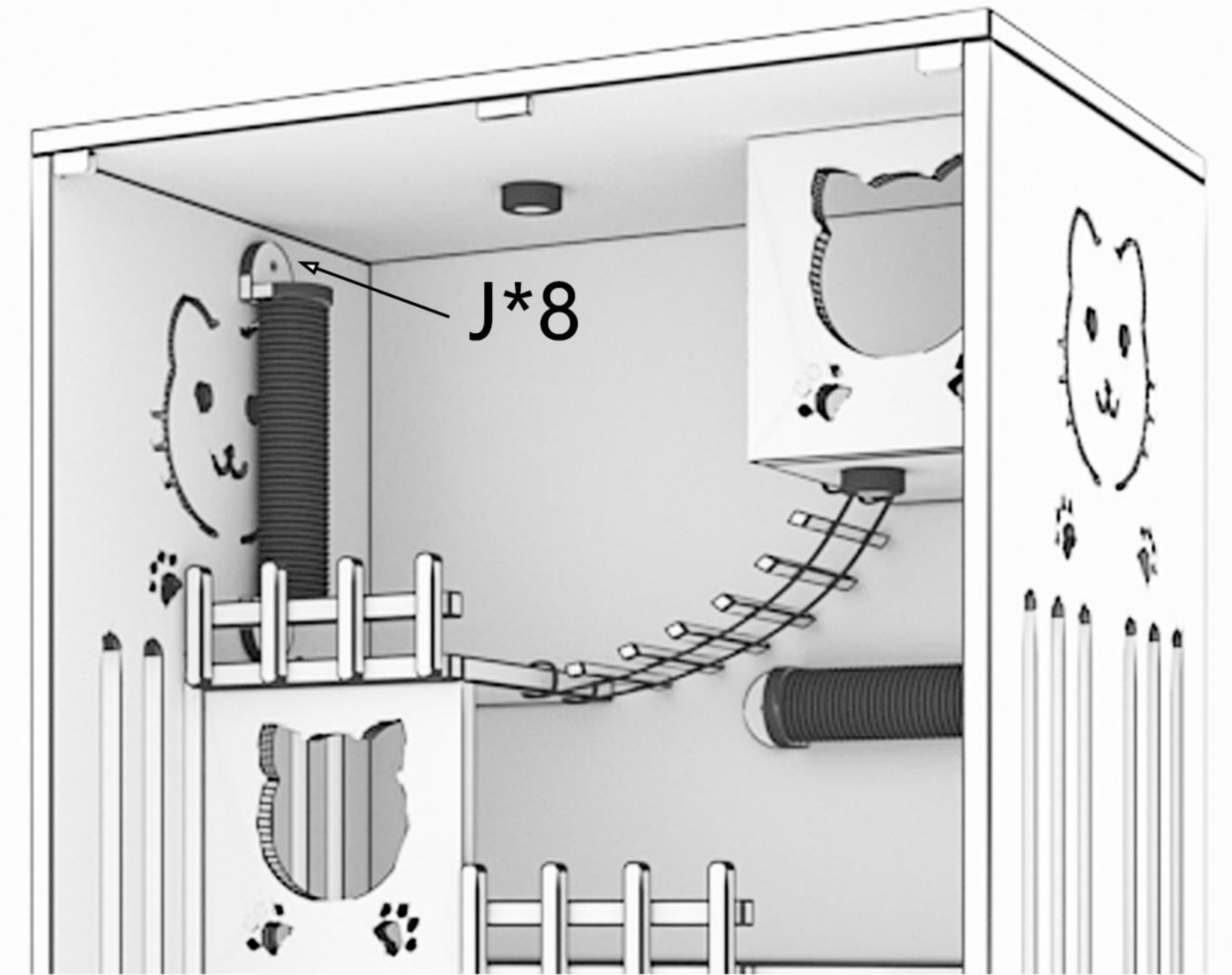


### STEP 23

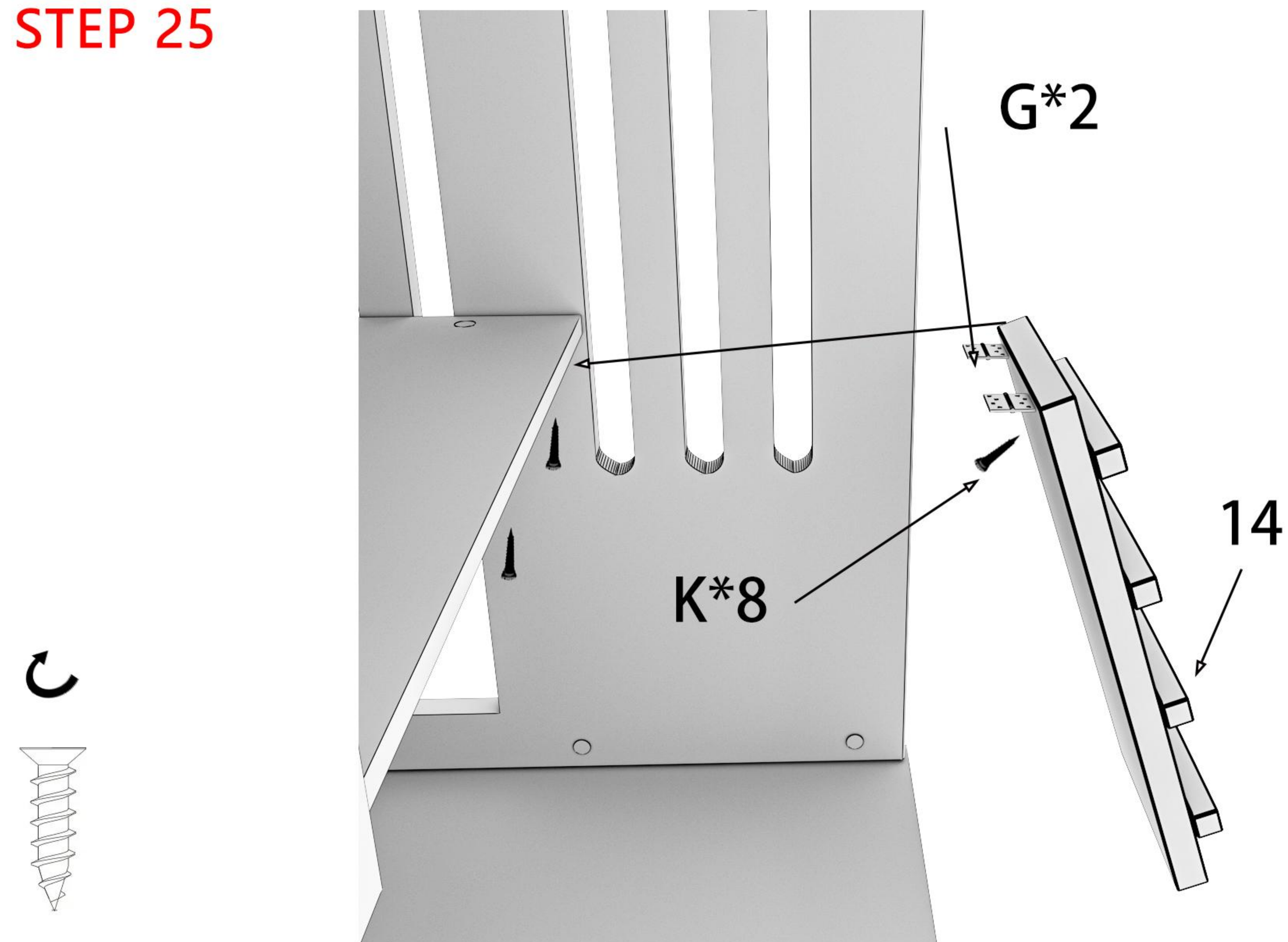


### STEP 24

You can freely choose the installation location

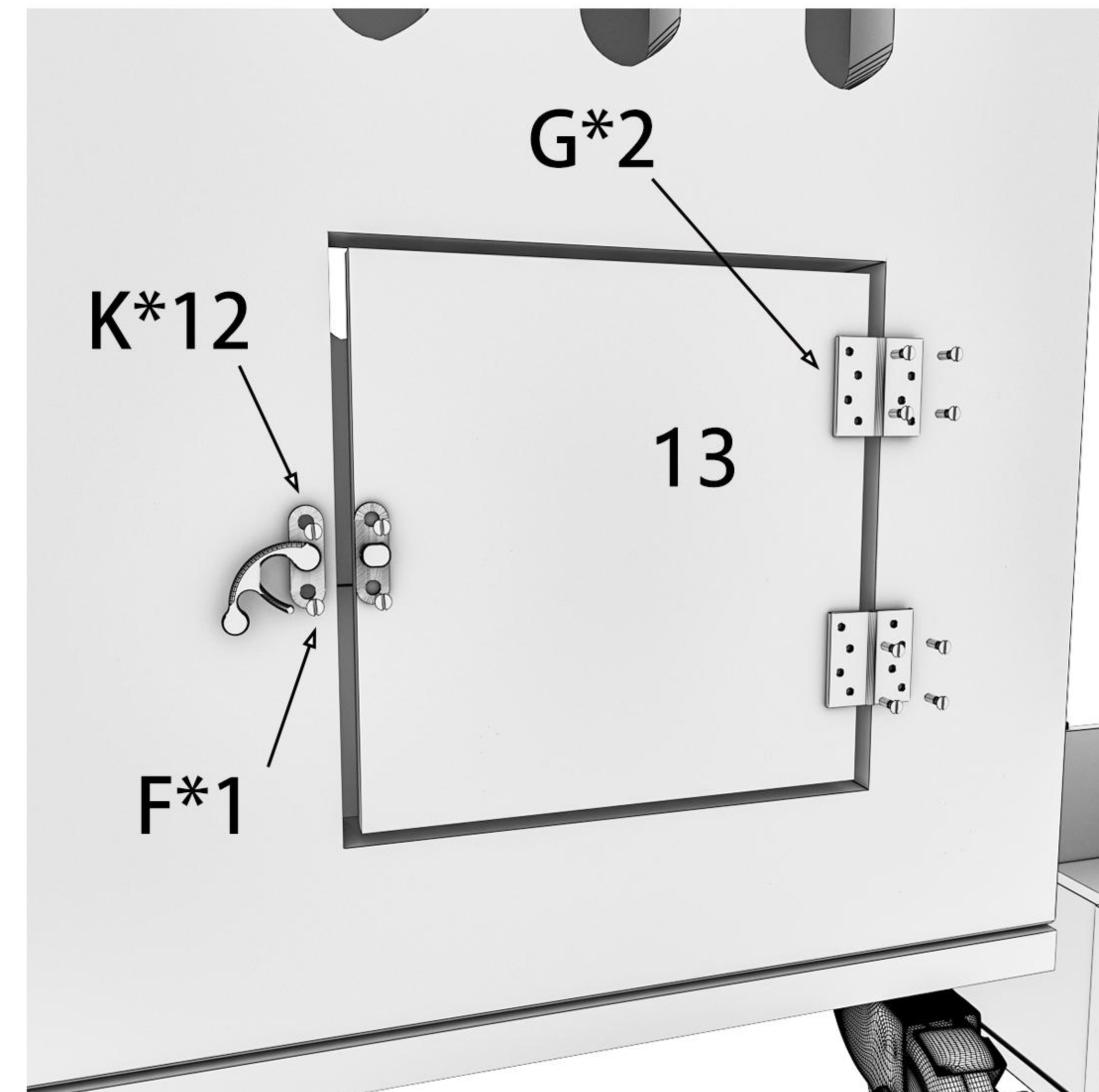


### STEP 25



### STEP 26

G accessories can be installed on the side or below

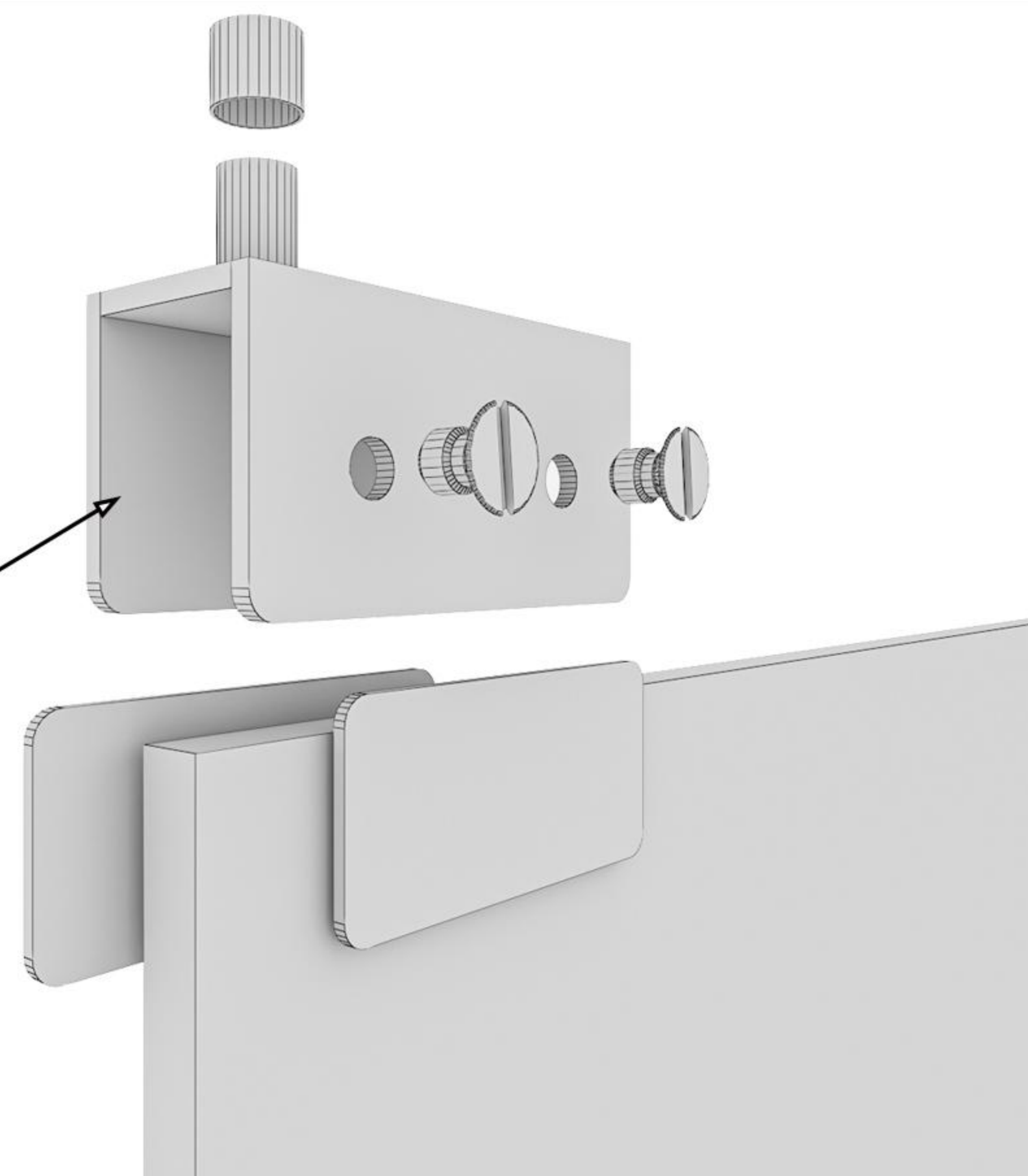


## STEP 27

D accessories need to be installed on both the top and bottom positions of the glass

D\*4

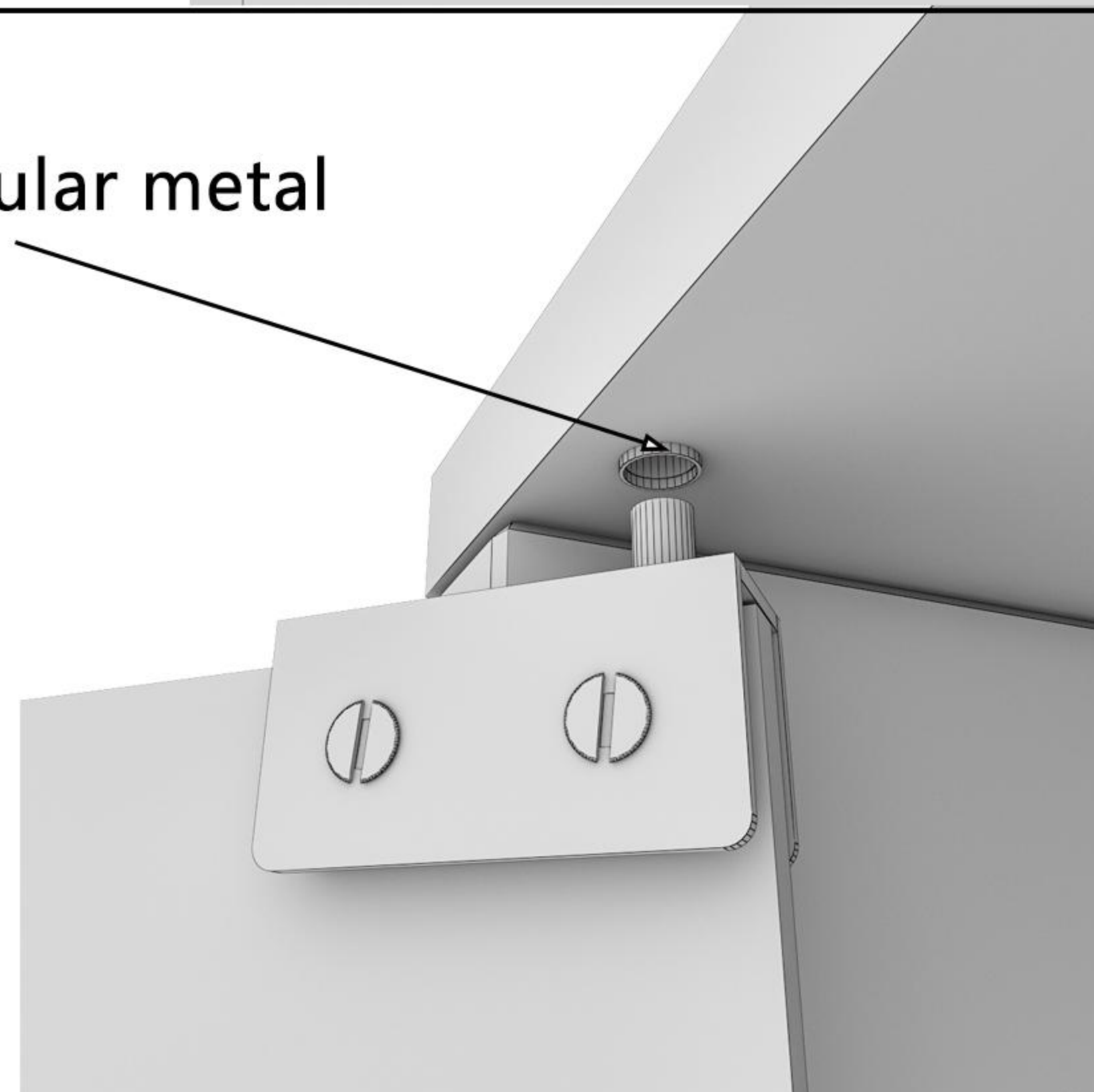
The two plastic sheets inside the accessory must be installed on both sides of the glass,



## STEP 28

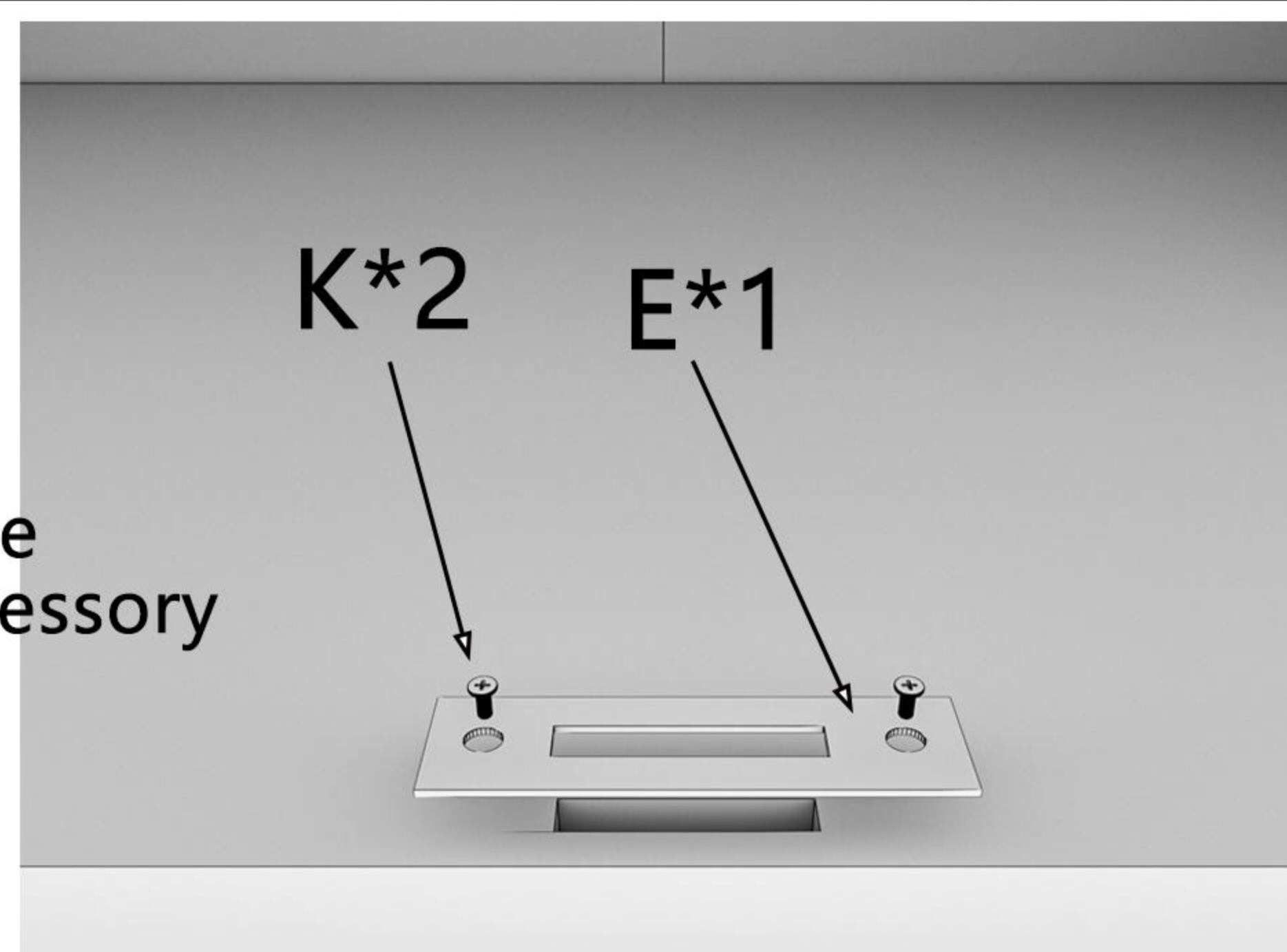
Circular metal

Pay attention to the circular metal of the D accessory, insert it into the hole position of the board first, and then install the glass



## STEP 29

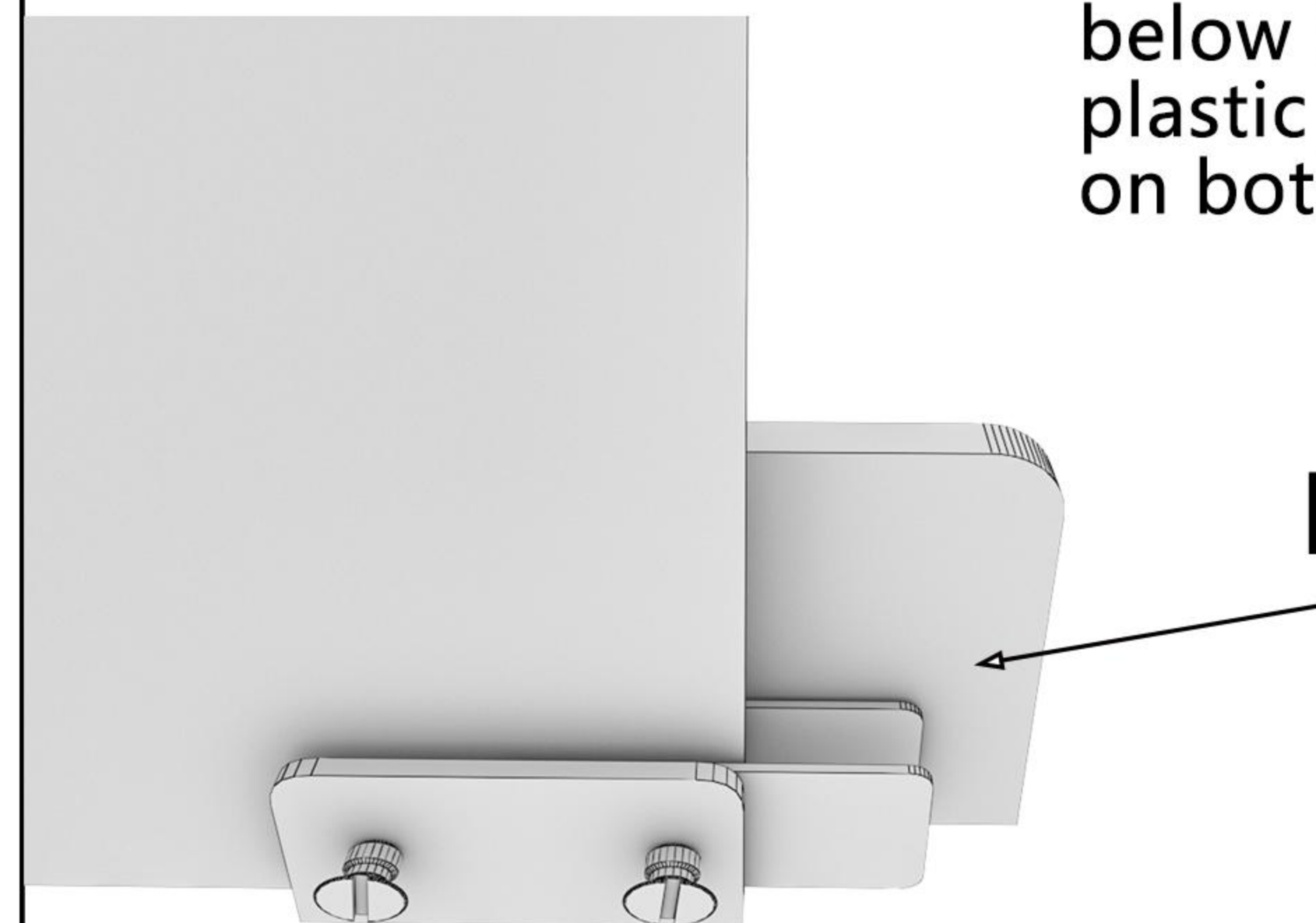
E accessory elongated metal sheet, fixed in the middle hole position of plate 4 with K accessory



## STEP 30

The E accessory must be installed below the right glass door, and two plastic sheets must be distributed on both sides of the glass

E\*1



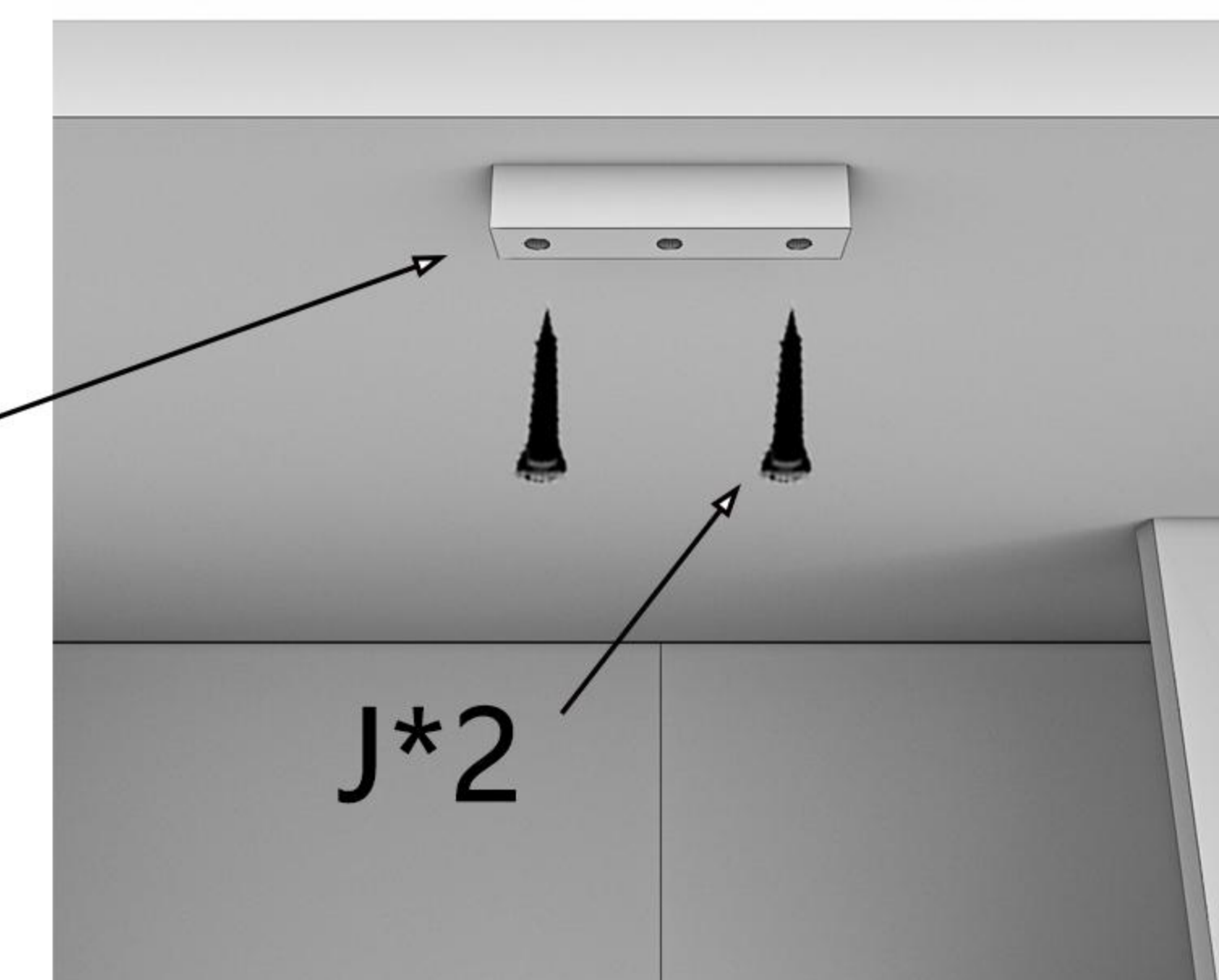
## STEP 31

The H accessory is installed in the middle of the glass door



H\*1

J\*2



## Attention:

If the glass is damaged, you can contact us for replacement. If any accessories are damaged or have problems, you can contact us.