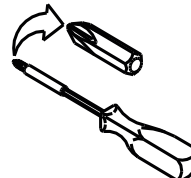
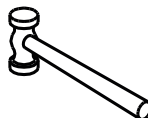




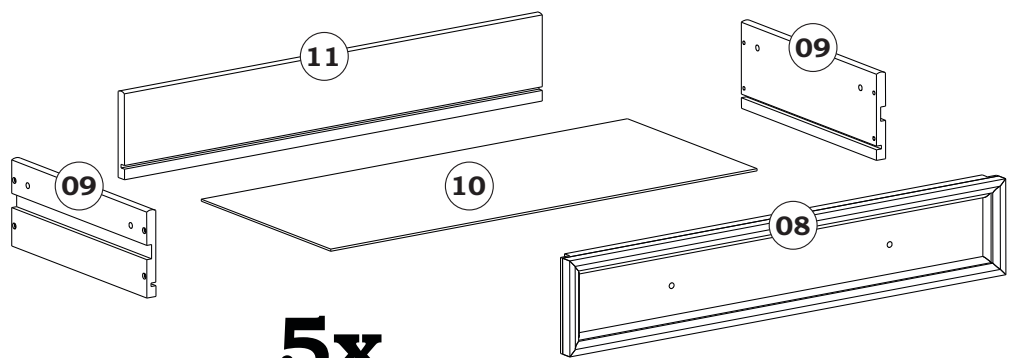
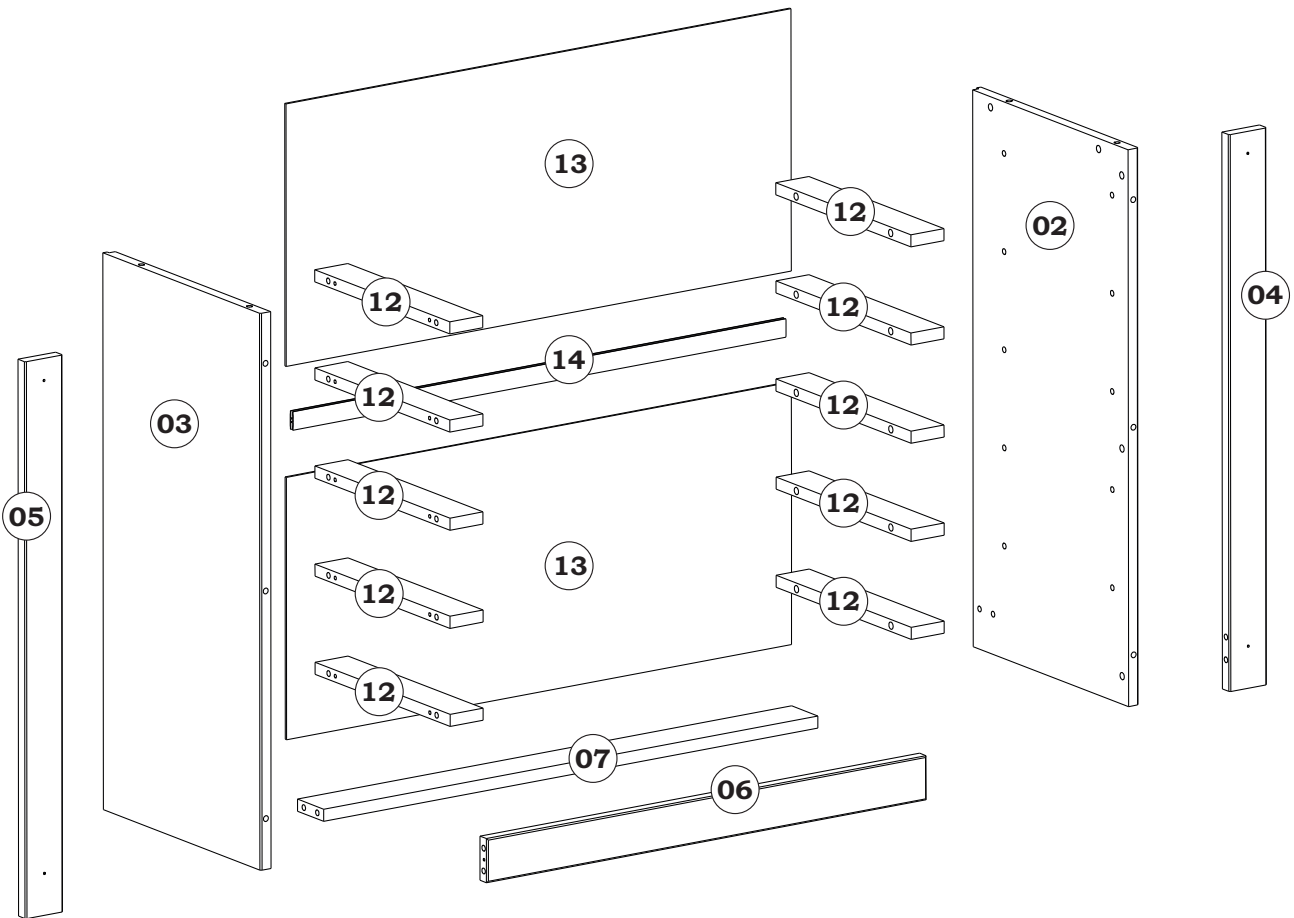
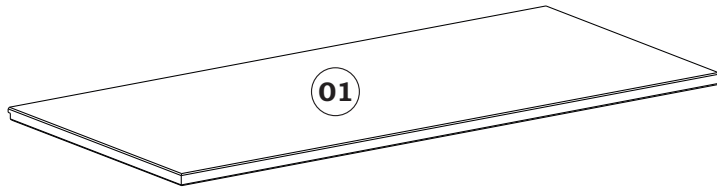
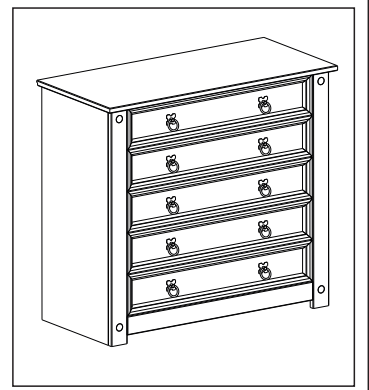
Width = 890mm
Depth = 410mm
Height = 800mm





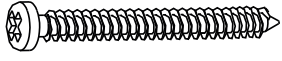
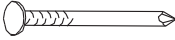
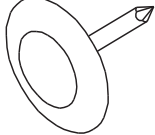

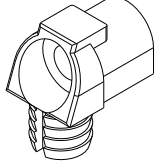
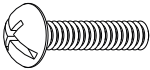

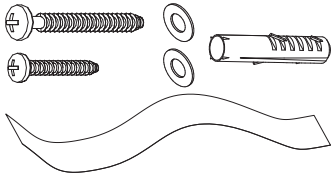
2m x 2m




0:60h




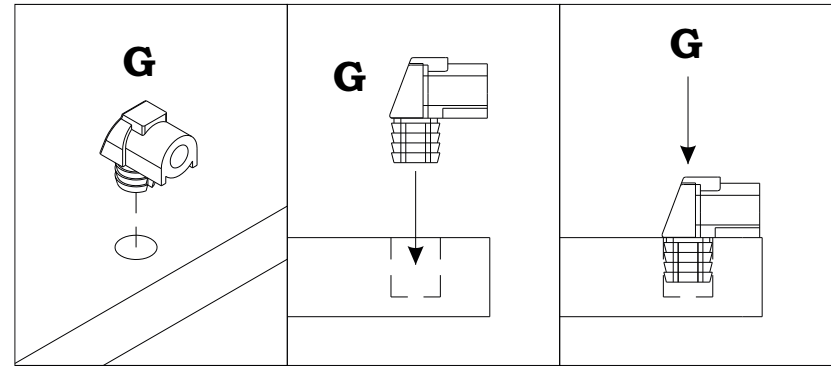
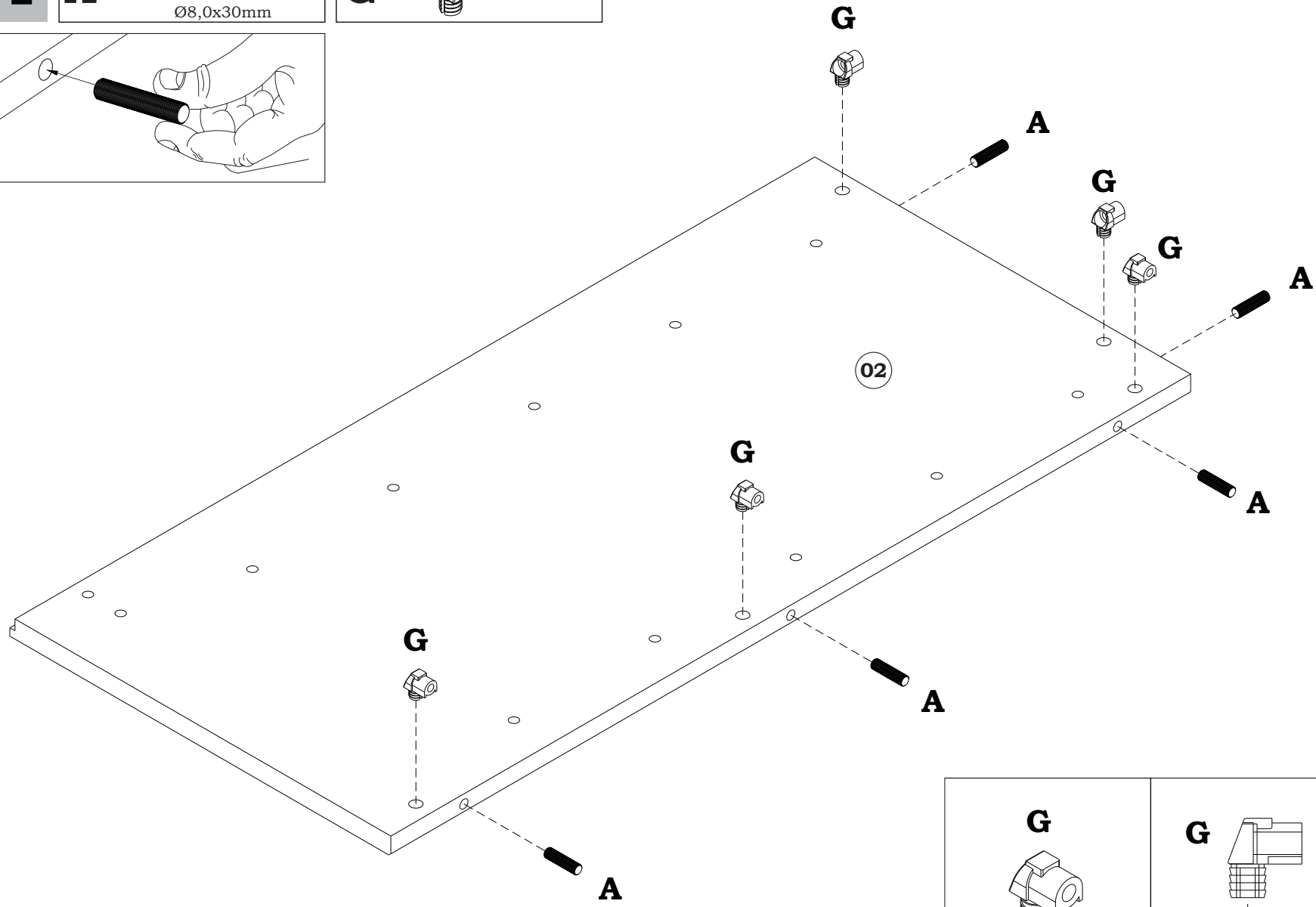
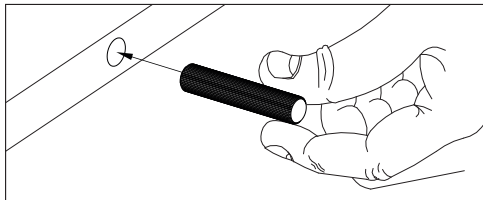
5x

A	 $\text{Ø}8,0 \times 30 \text{mm}$	48
B	 $\text{Ø}3,5 \times 30 \text{mm}$	42
C	 $\text{Ø}4,0 \times 40 \text{mm}$	20
D	 8×8	36
E		04
F	 $\text{Ø}4,0 \times 25 \text{mm}$	12
G		12
H	 $3/16" \times 5/8"$	10
I		10
Y		01

01

A  **05x**
Ø8,0x30mm

G  **05x**



02

A



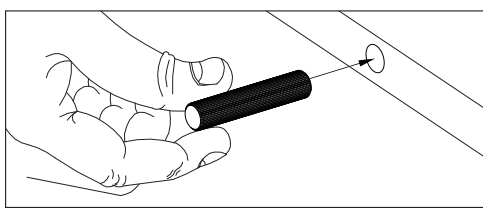
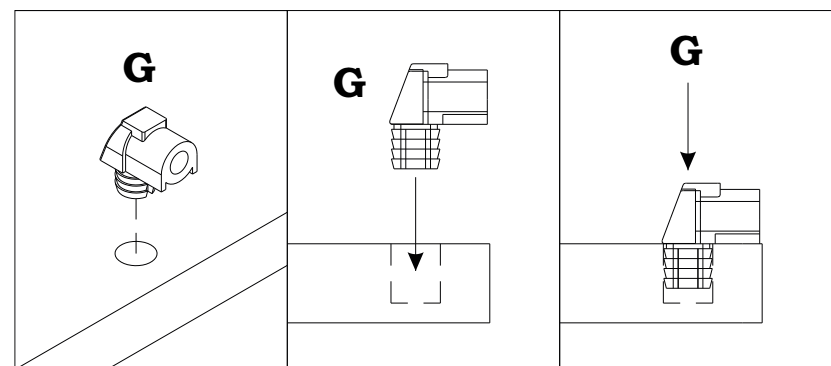
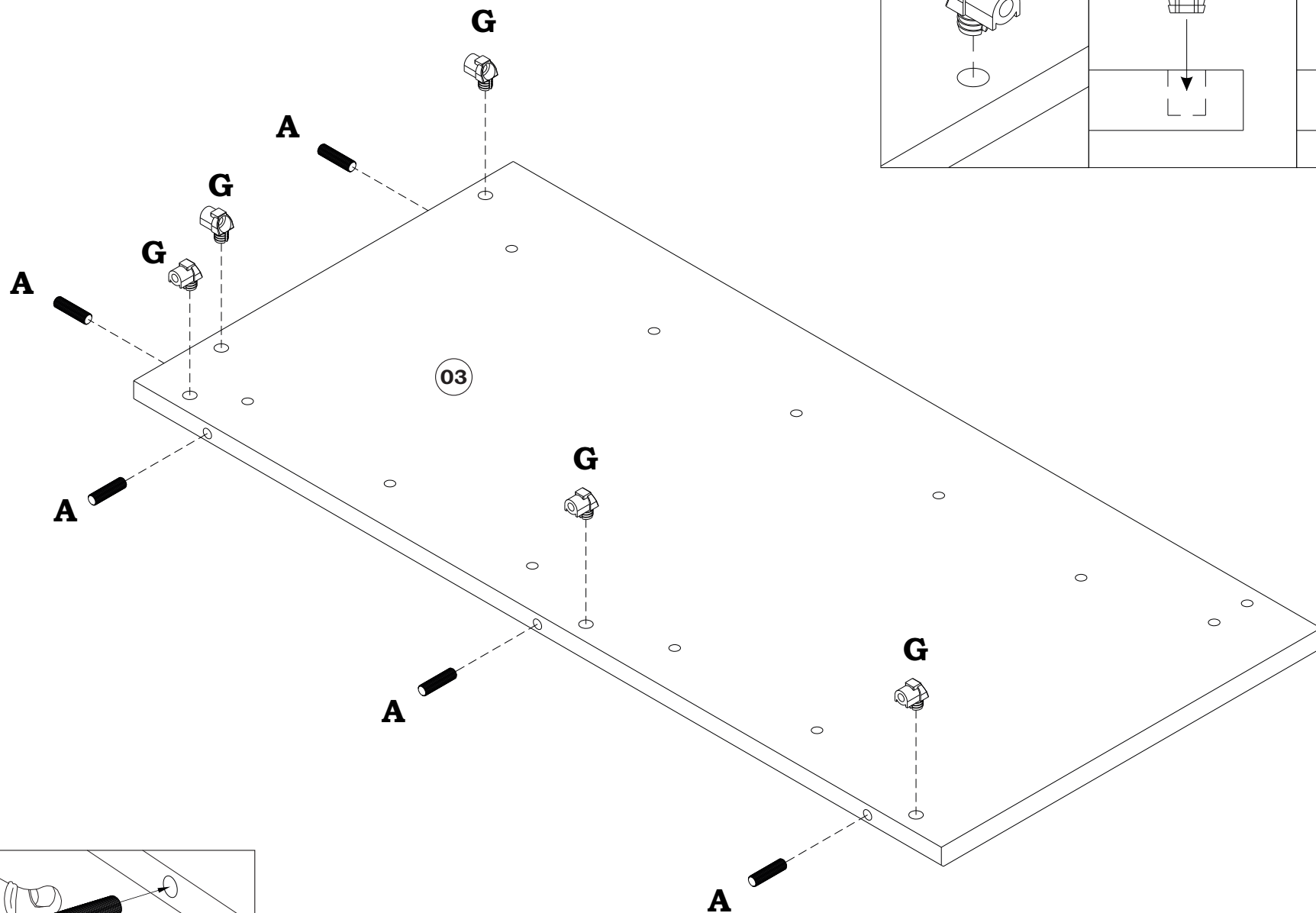
05x

Ø8,0x30mm

G



05x



03

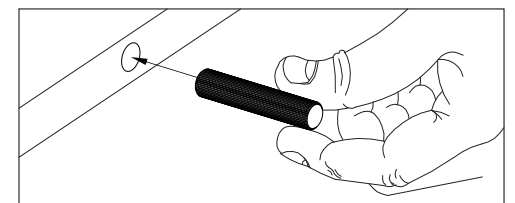
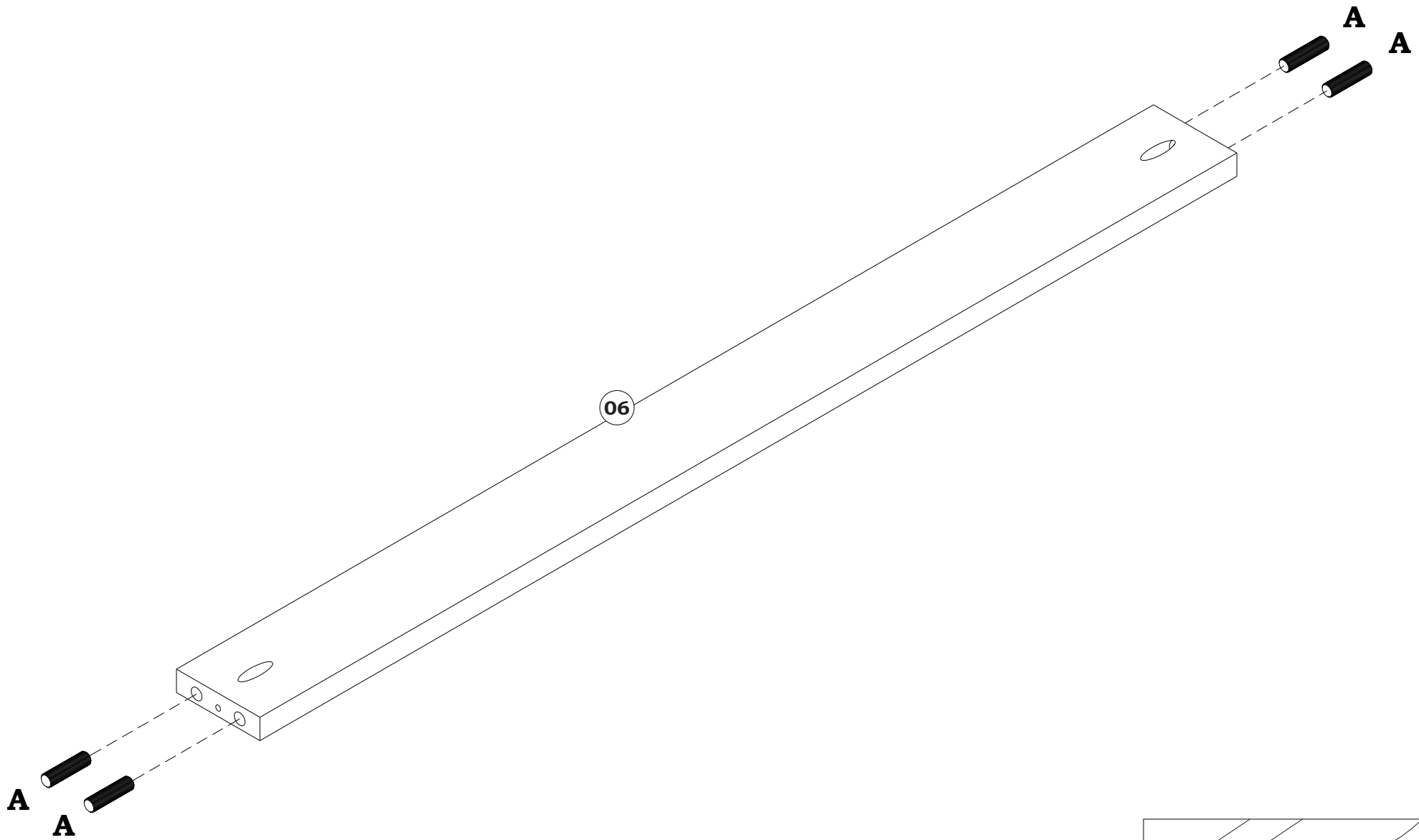
A



04x

Ø8,0x30mm

06



04

A



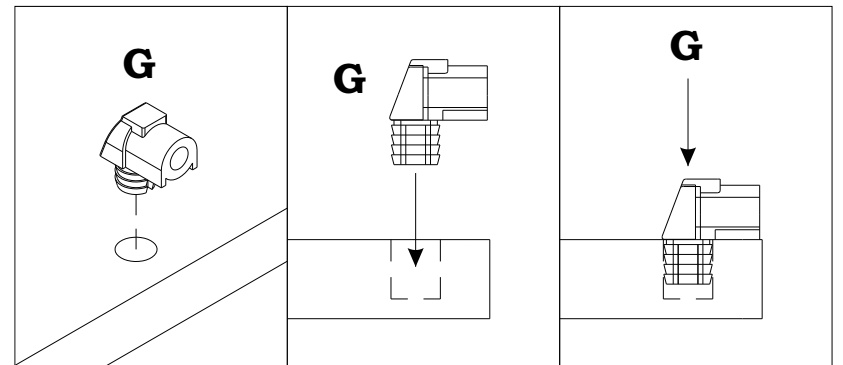
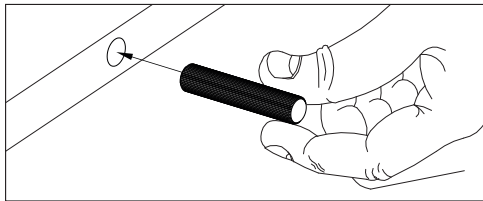
04x

Ø8,0x30mm

G



02x



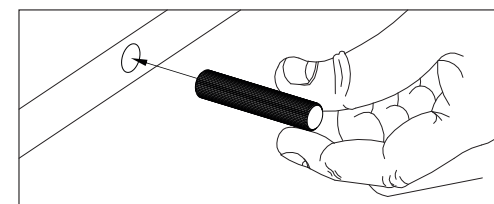
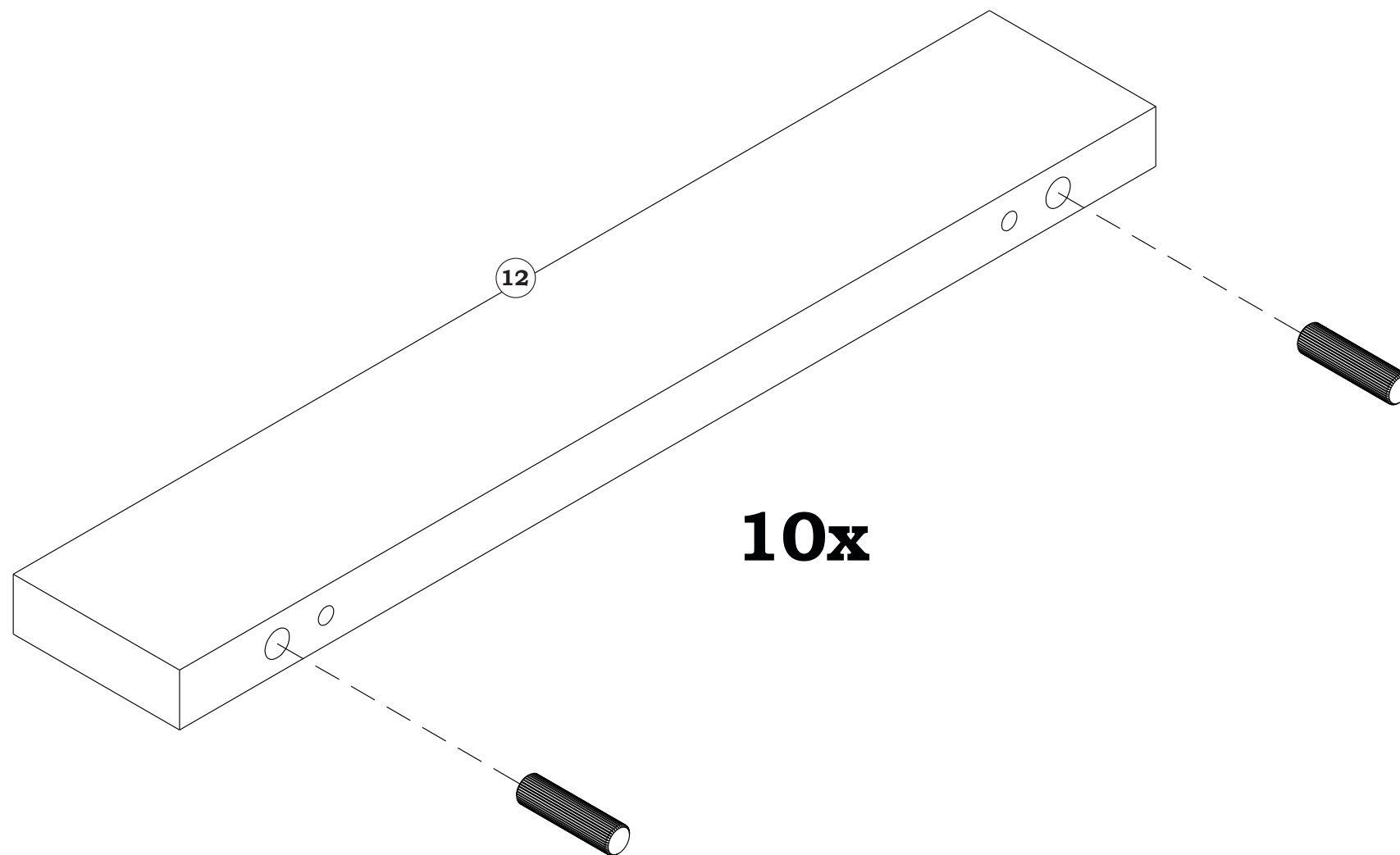
05

A




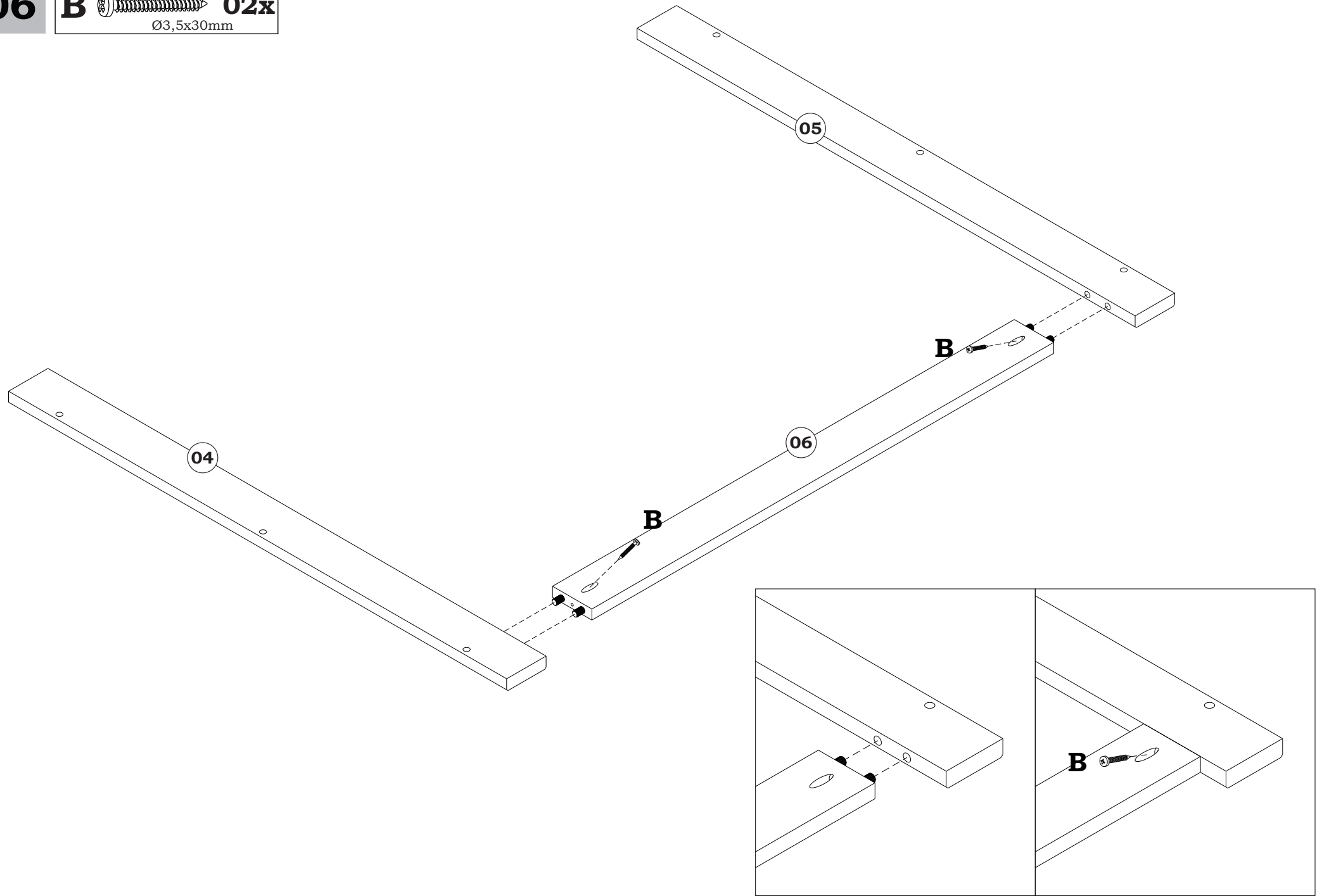
20x

Ø8,0x30mm



06

B  **02x**
Ø3,5x30mm



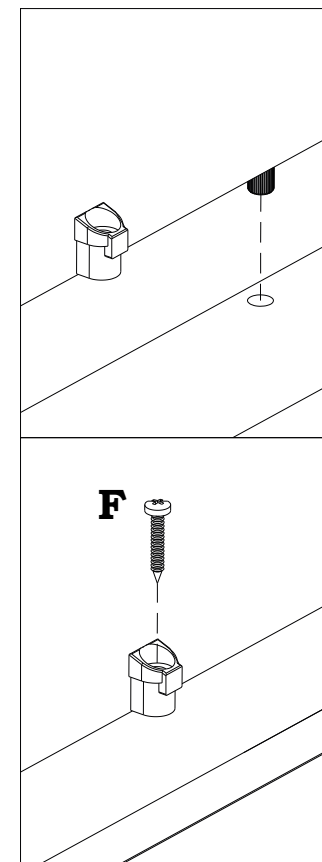
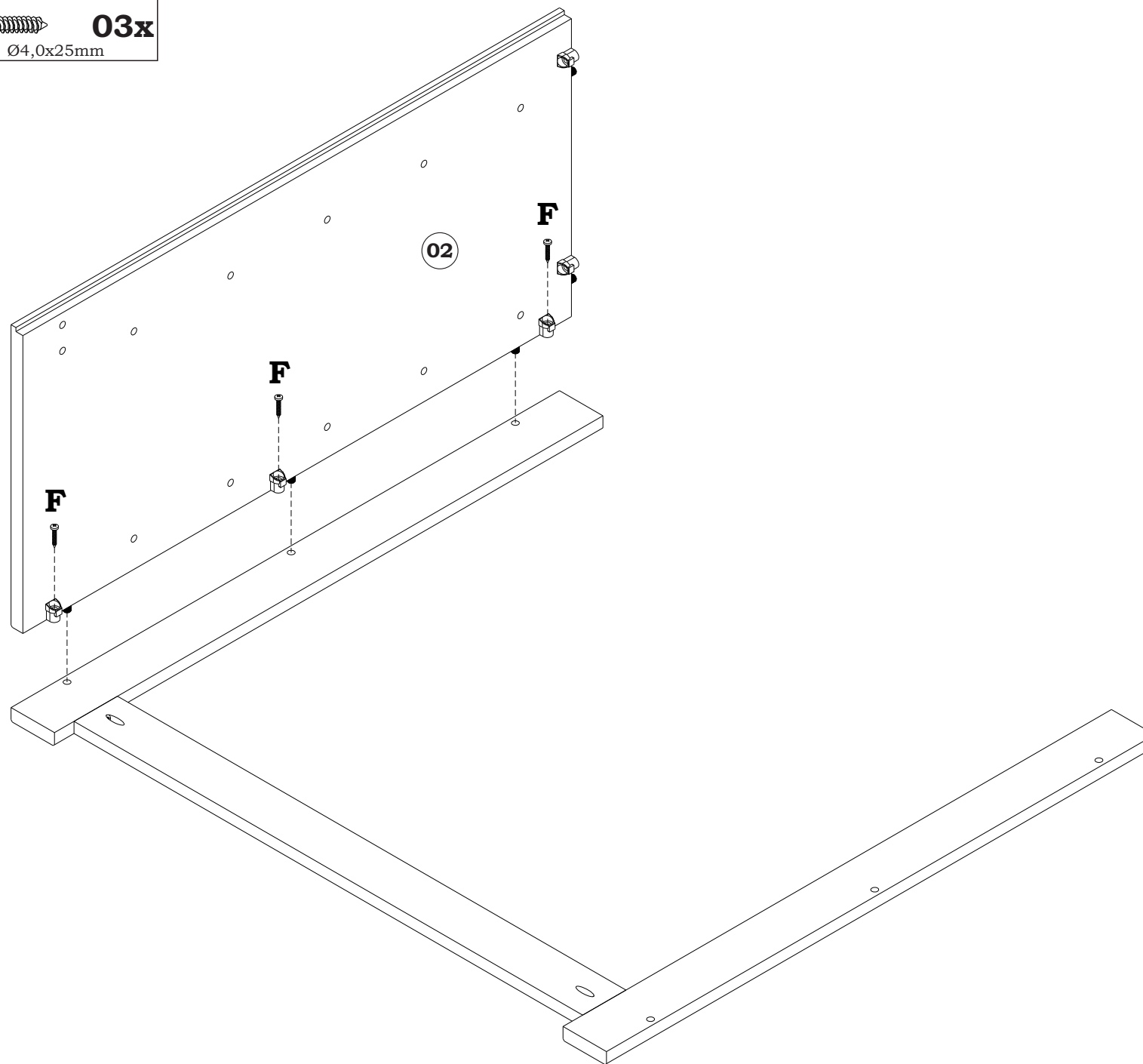
07

F




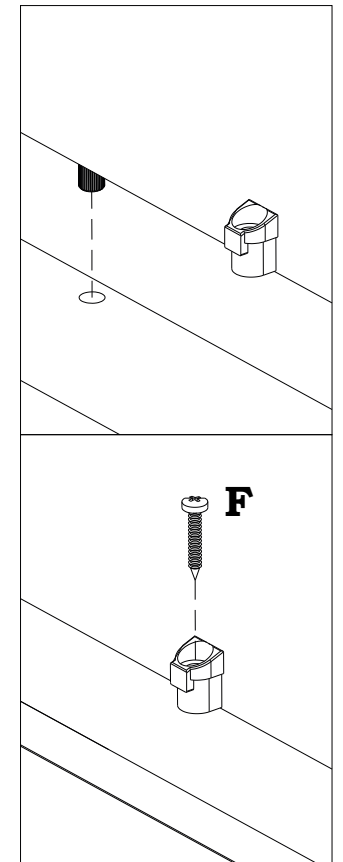
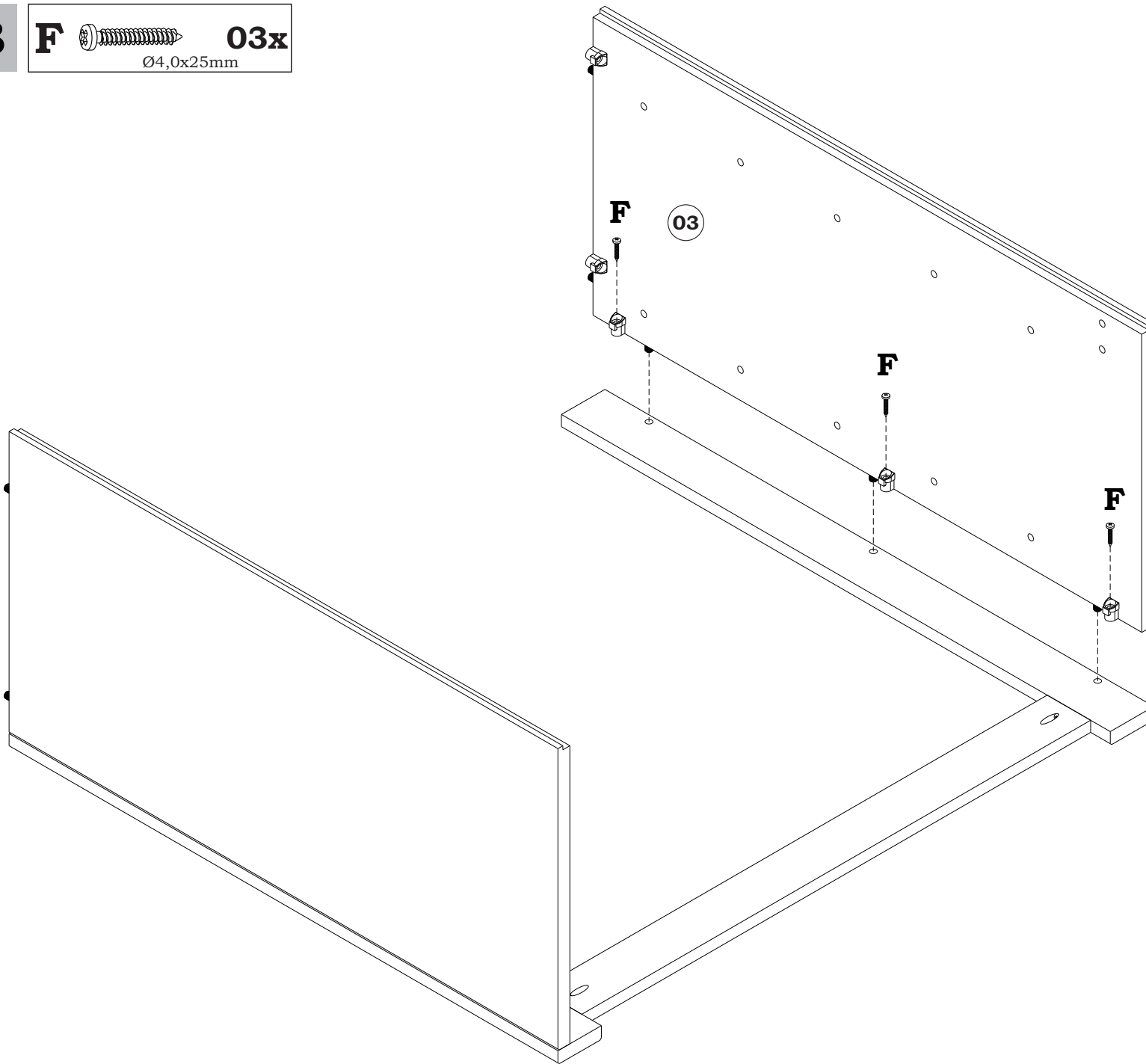
03x

Ø4,0x25mm




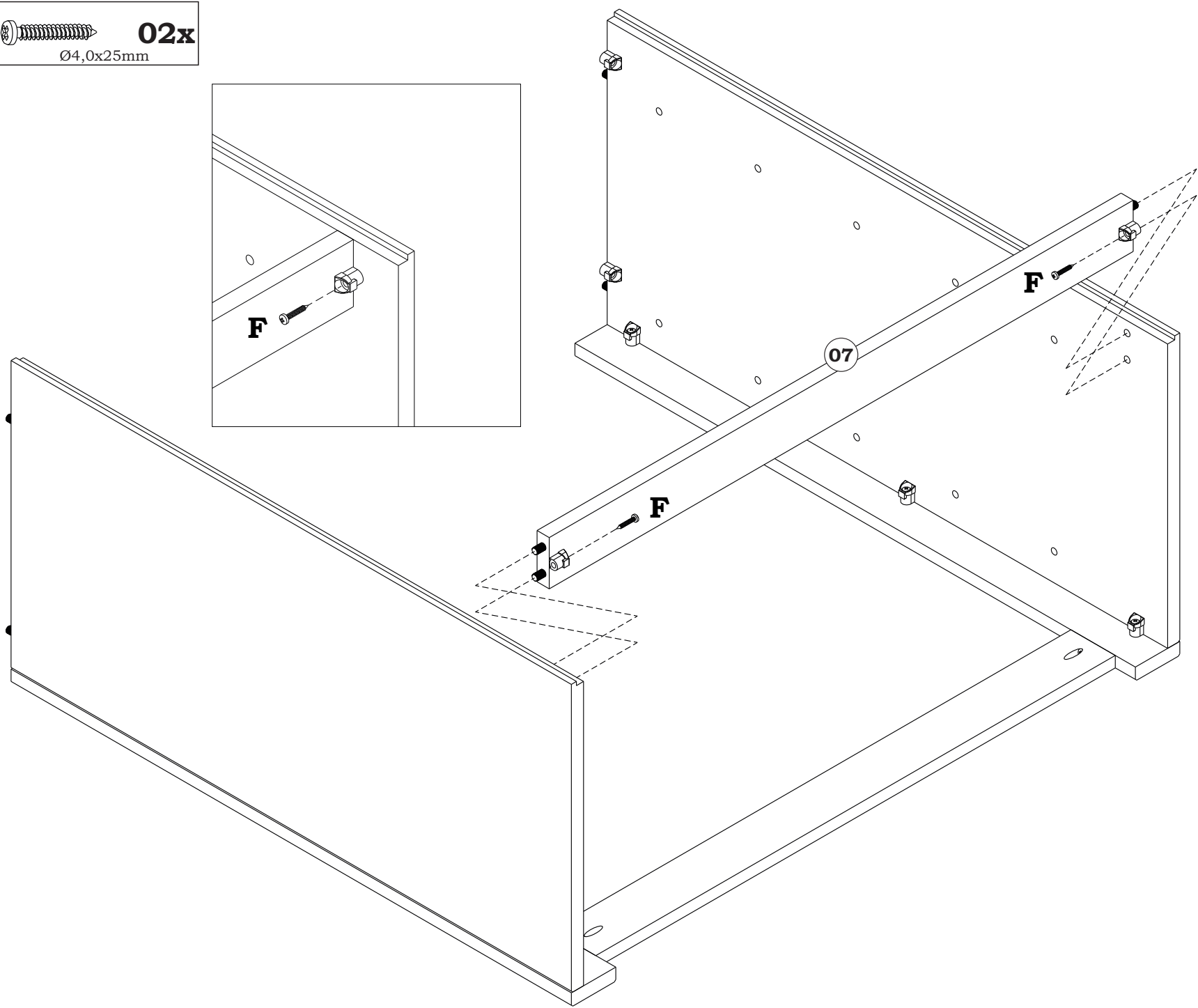
08

F  **03x**
Ø4,0x25mm



09

F  02x
Ø4,0x25mm



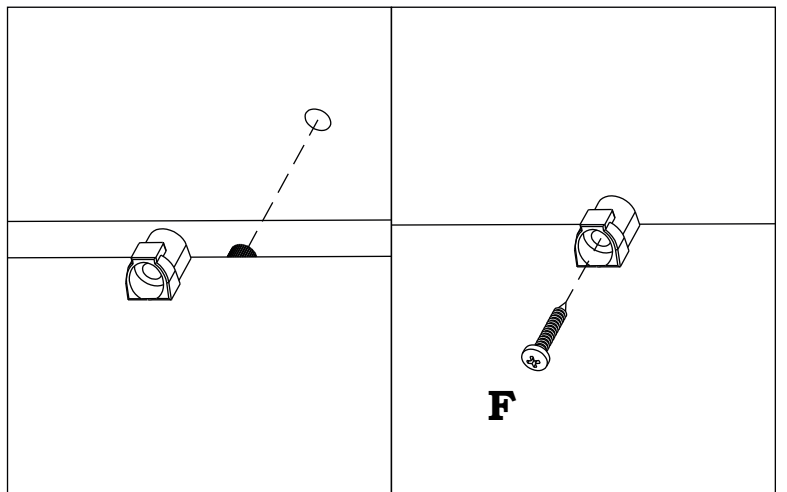
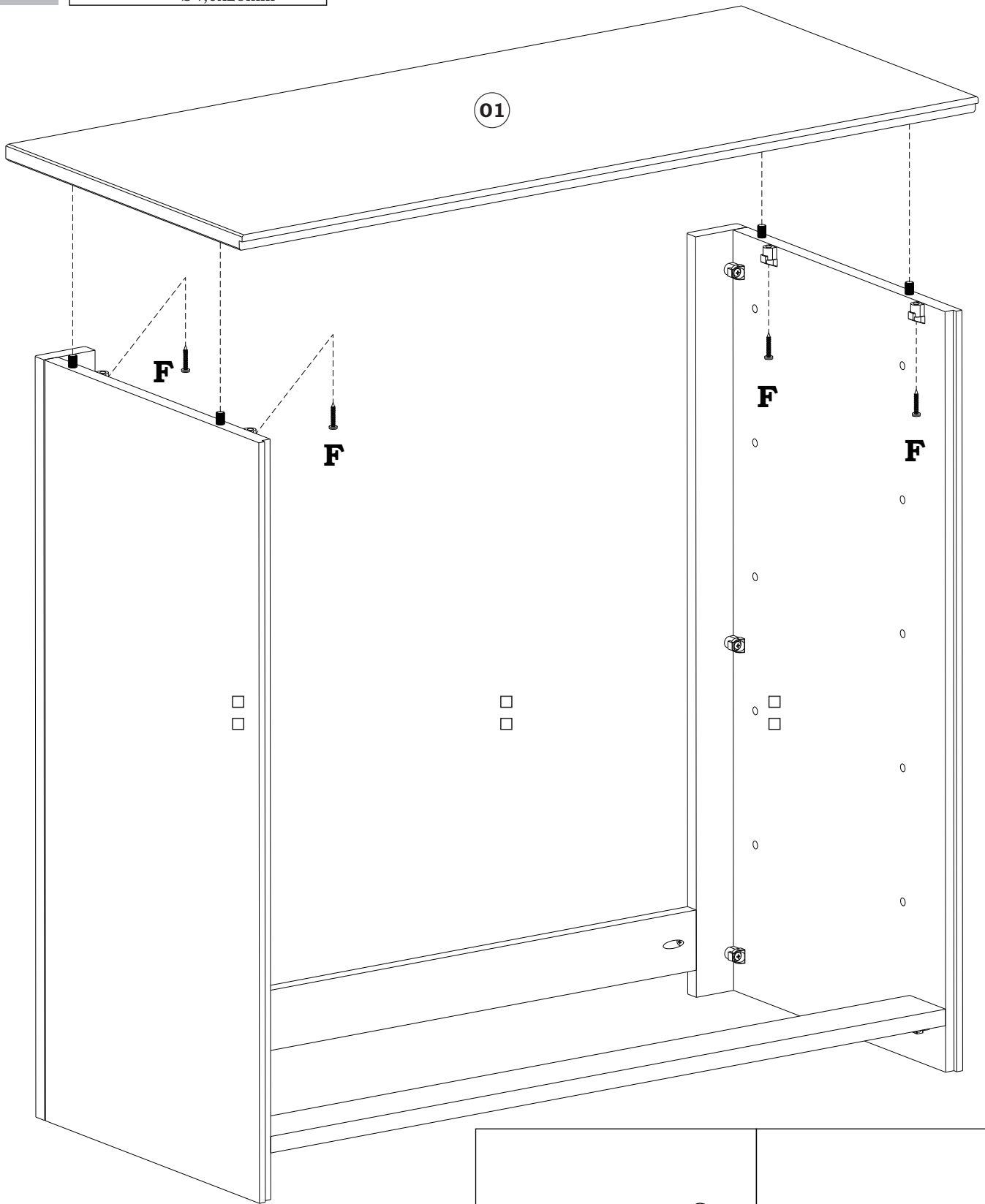
10

F



04x

Ø4,0x25mm



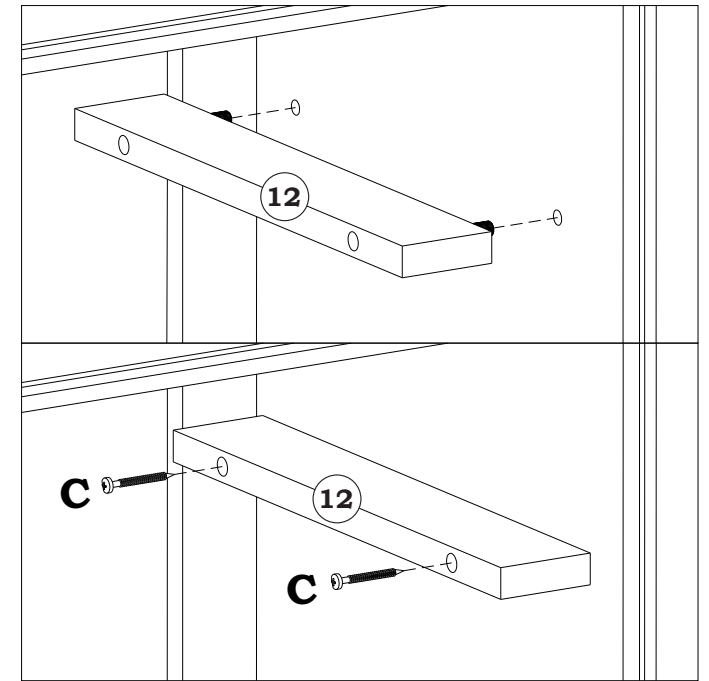
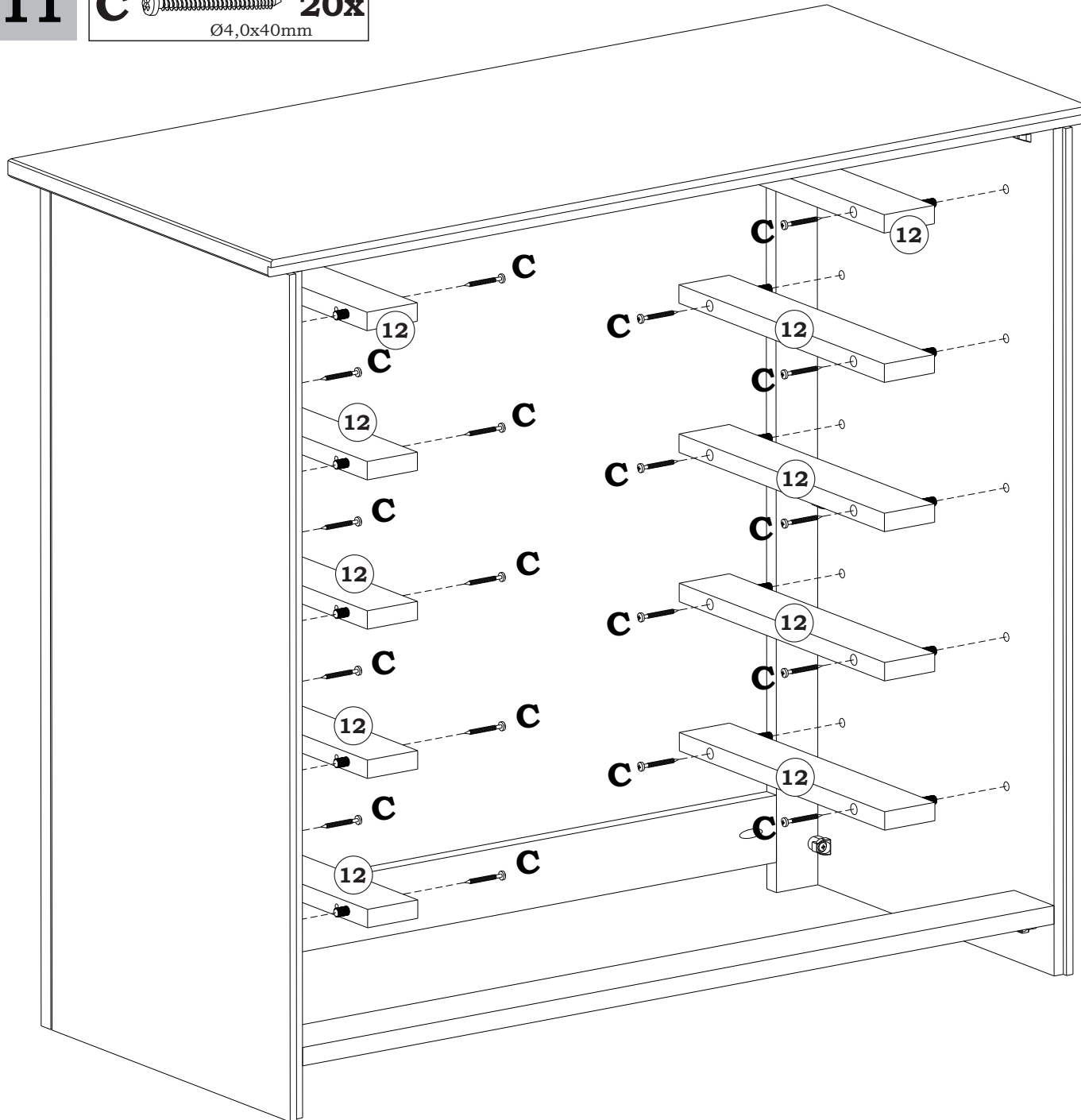
11

C



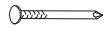
20x

Ø4,0x40mm



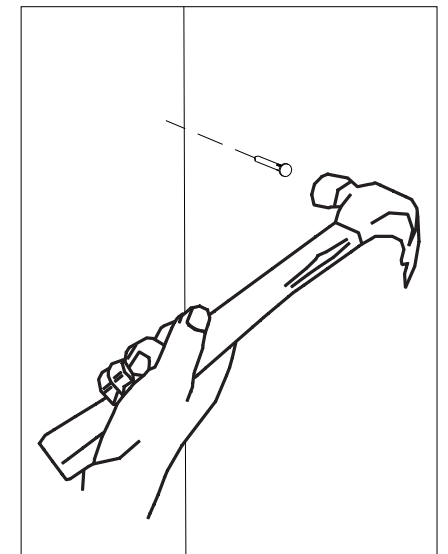
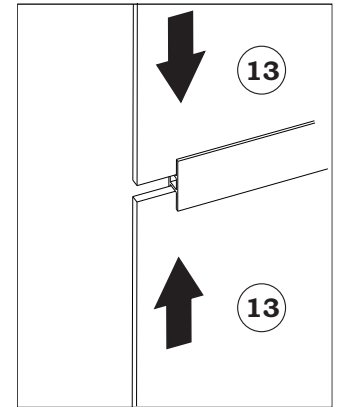
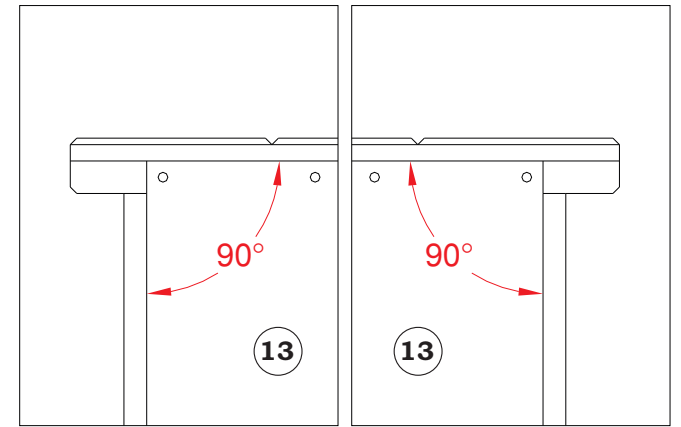
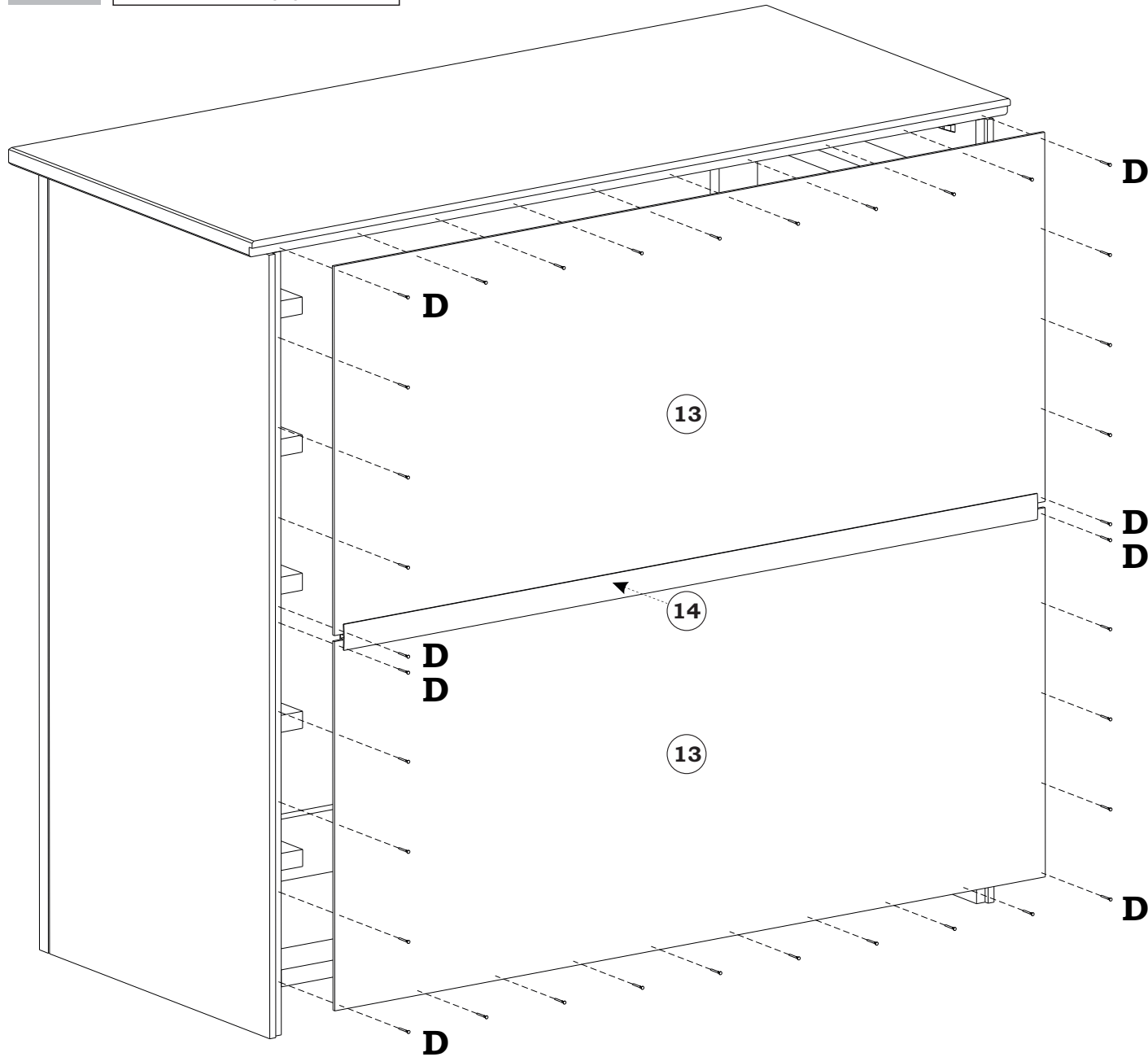
12

D




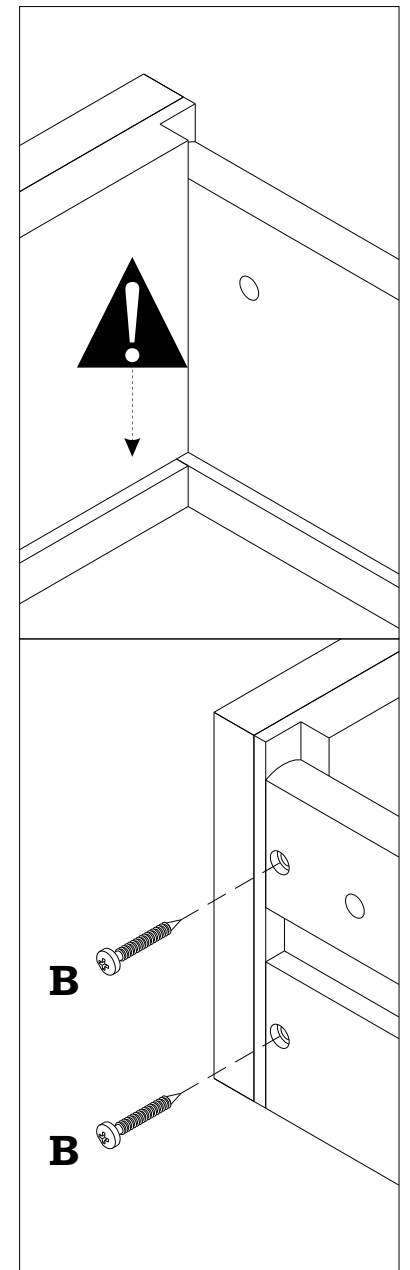
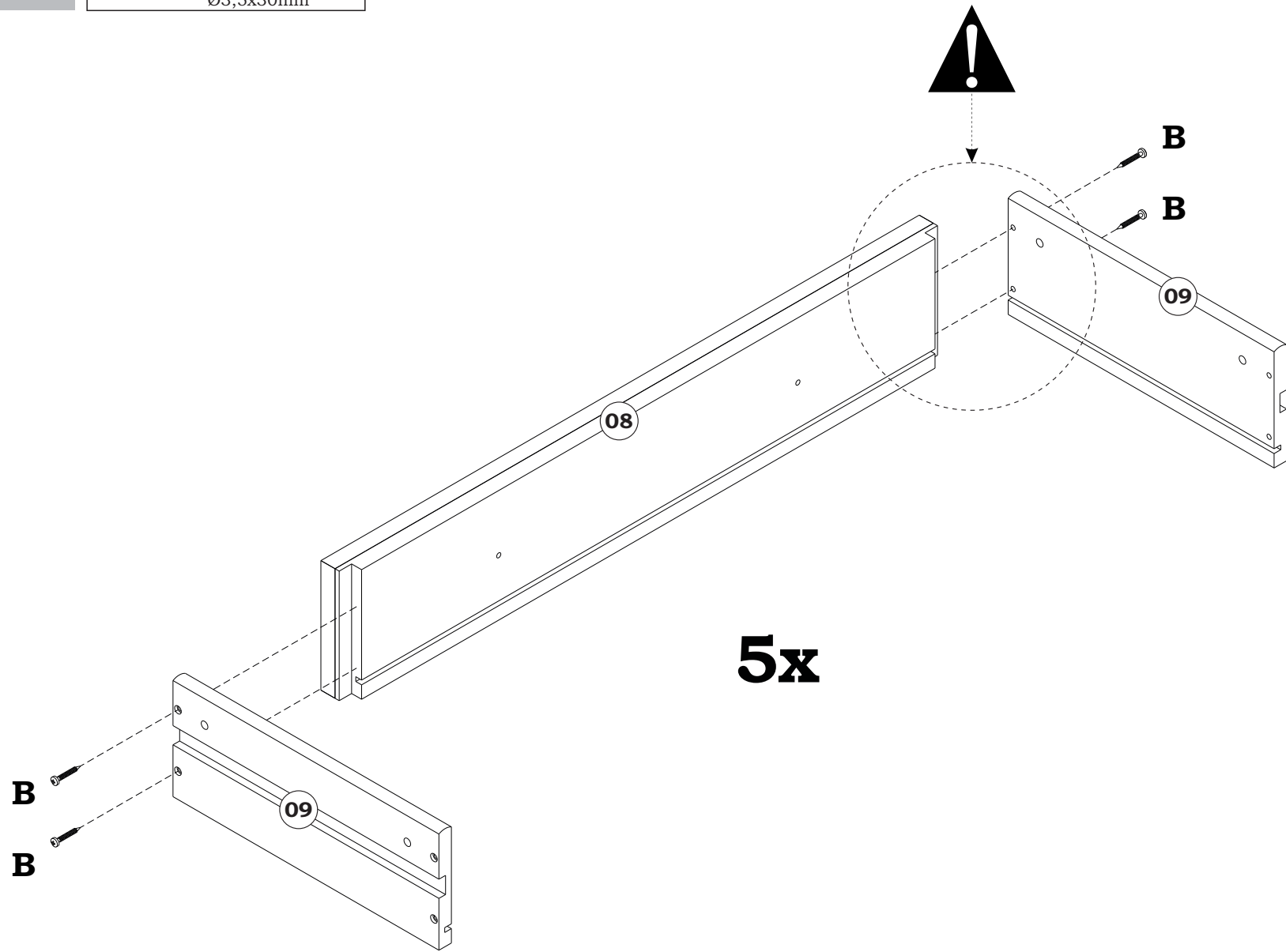
8x8

36x



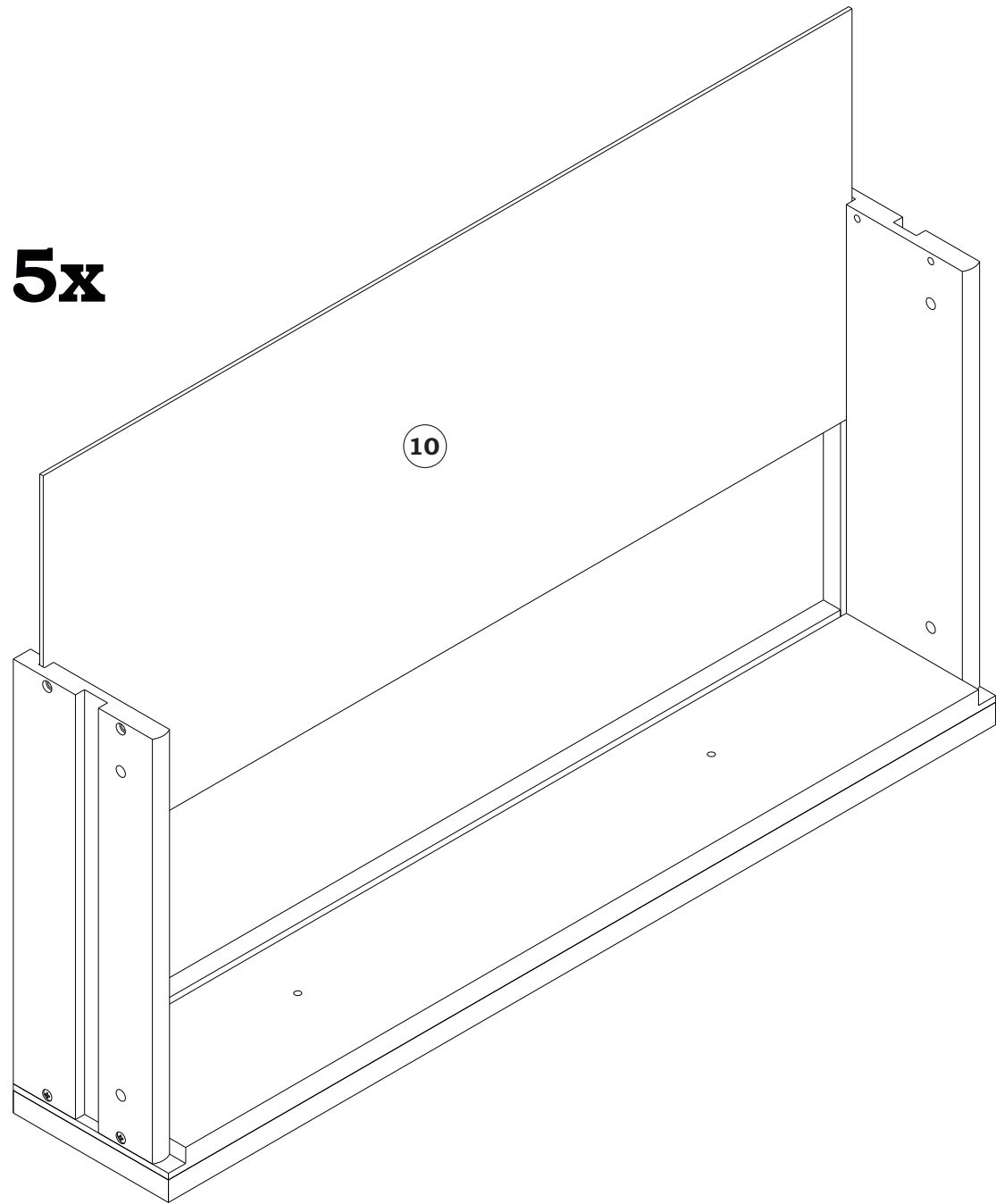
13

B  **20x**
Ø3,5x30mm



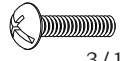
14

5x



15

H



3/16"x5/8"

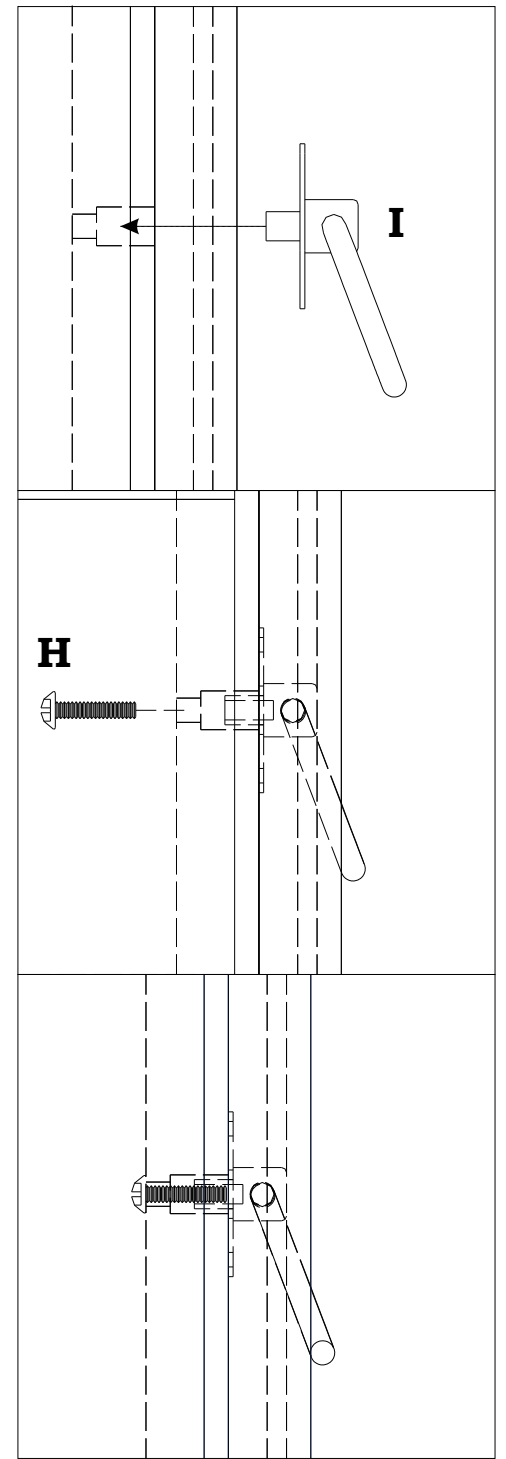
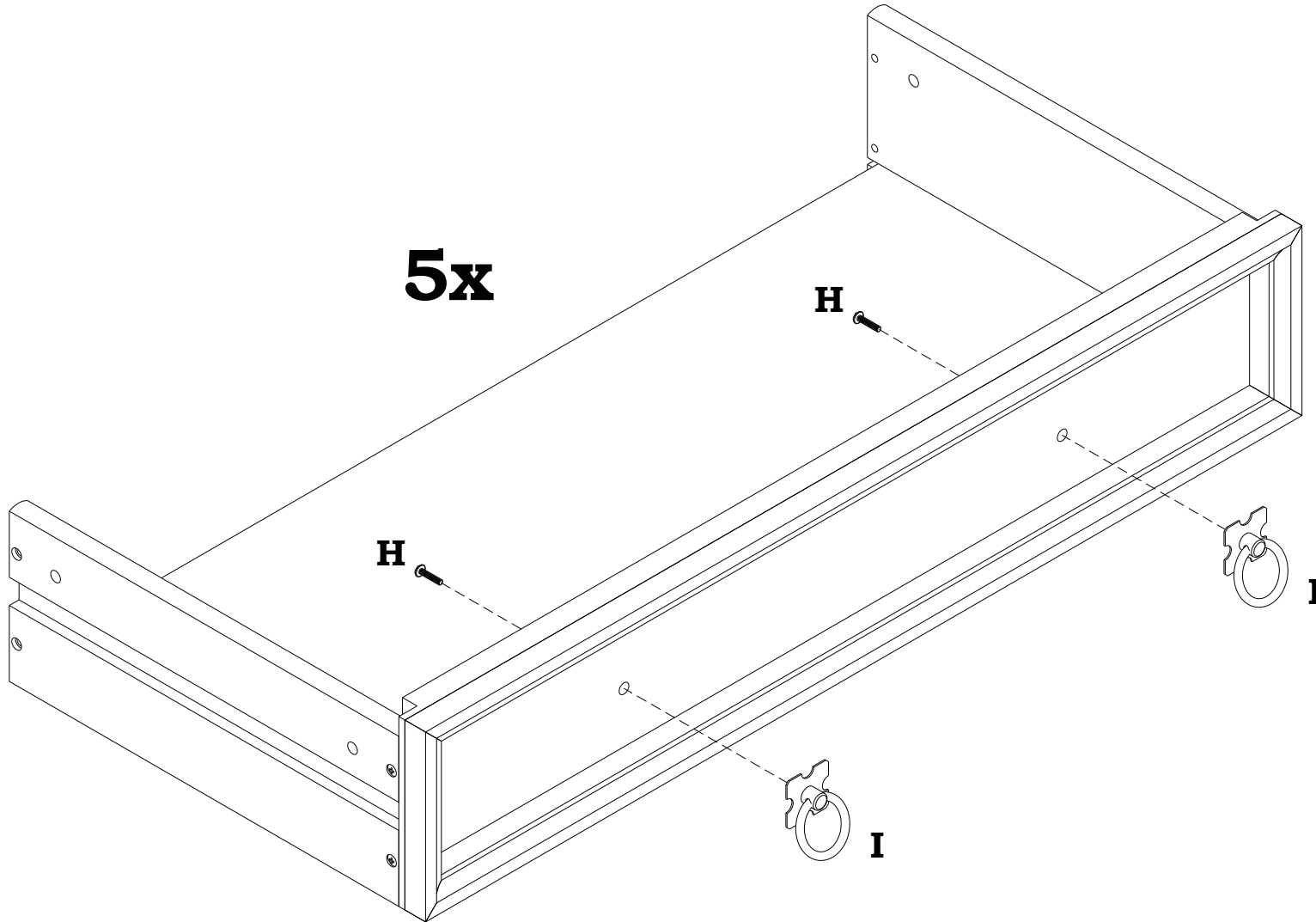
10x

I




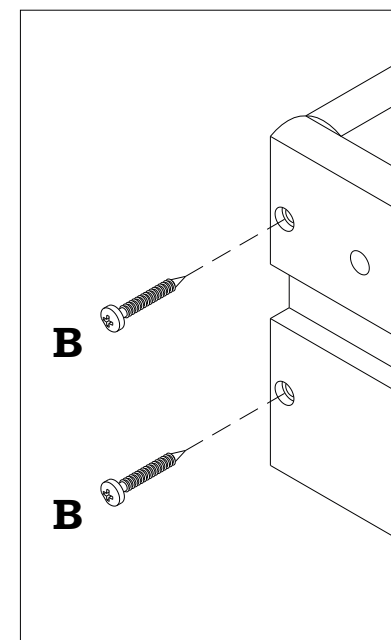
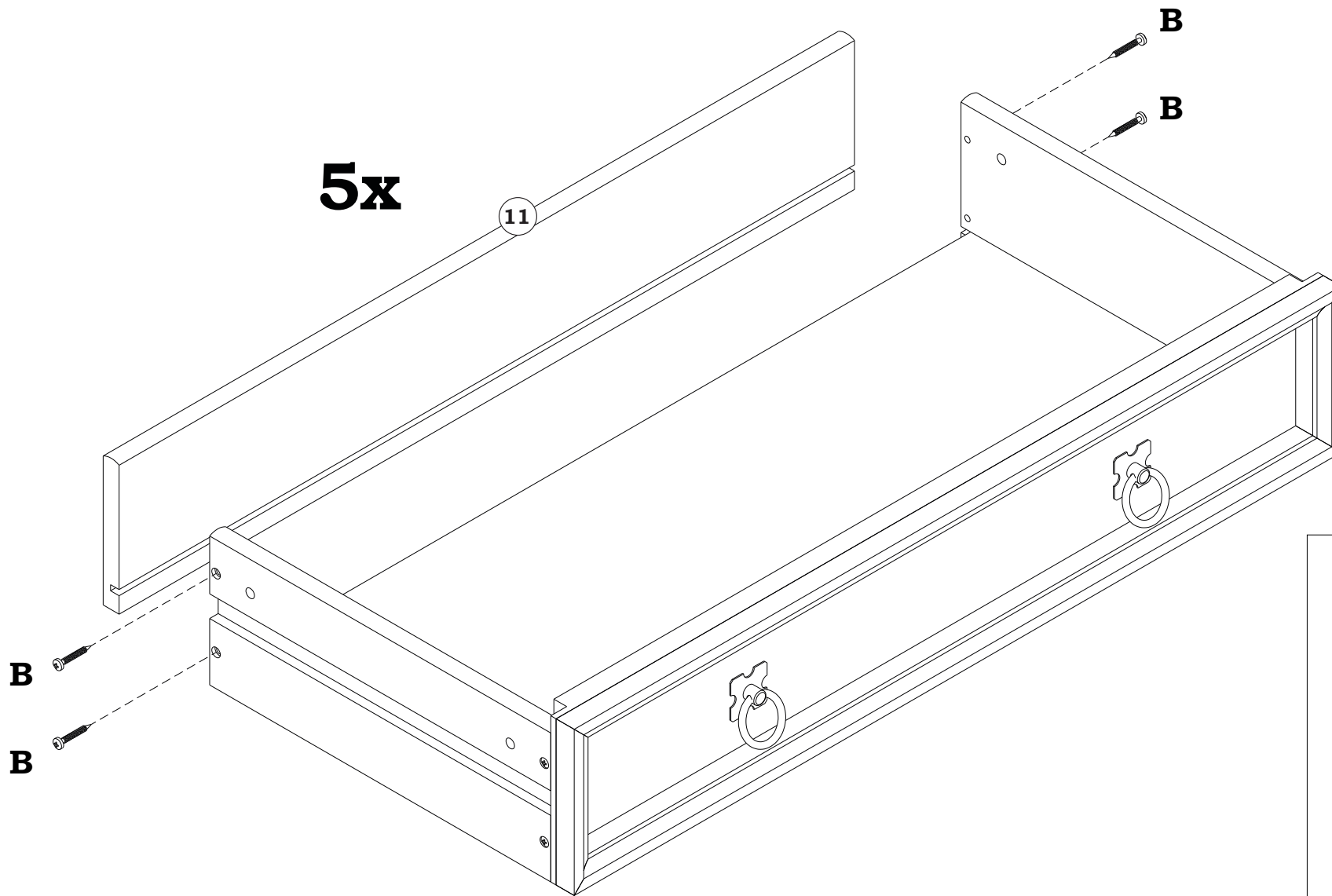
10x

5x



16

B  **20x**
Ø3,5x30mm



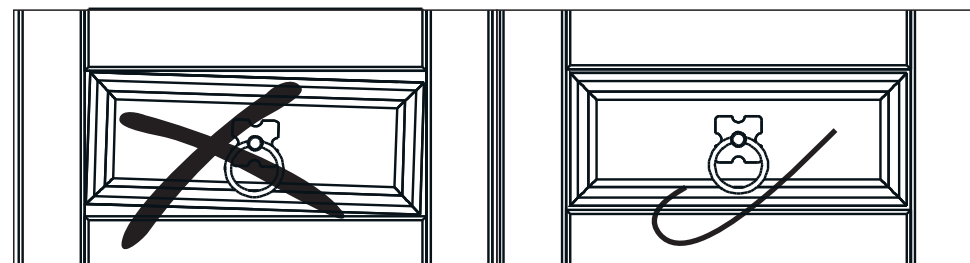
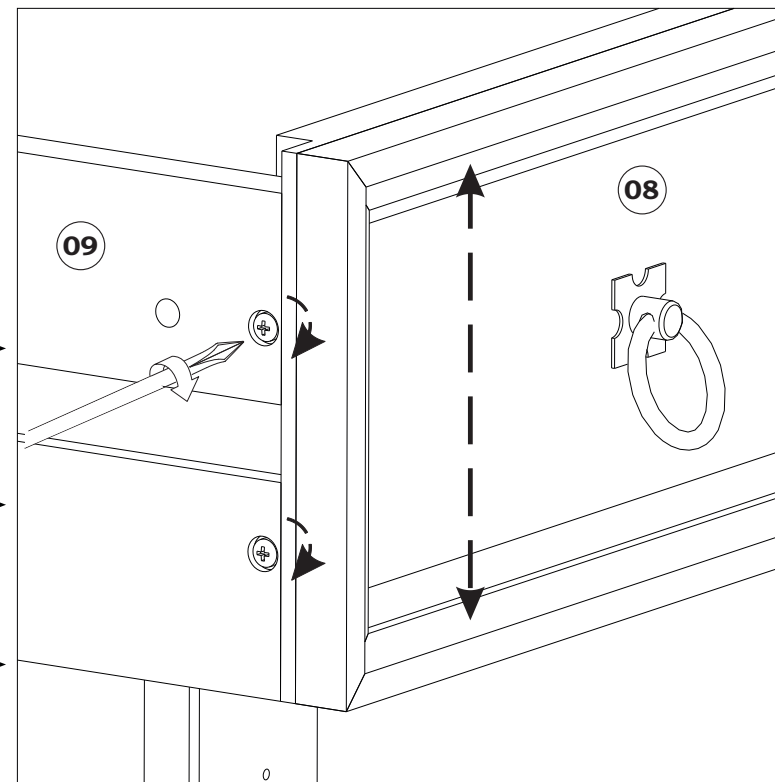
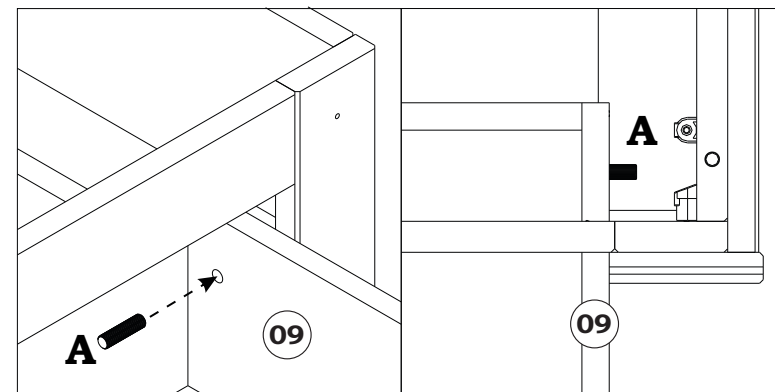
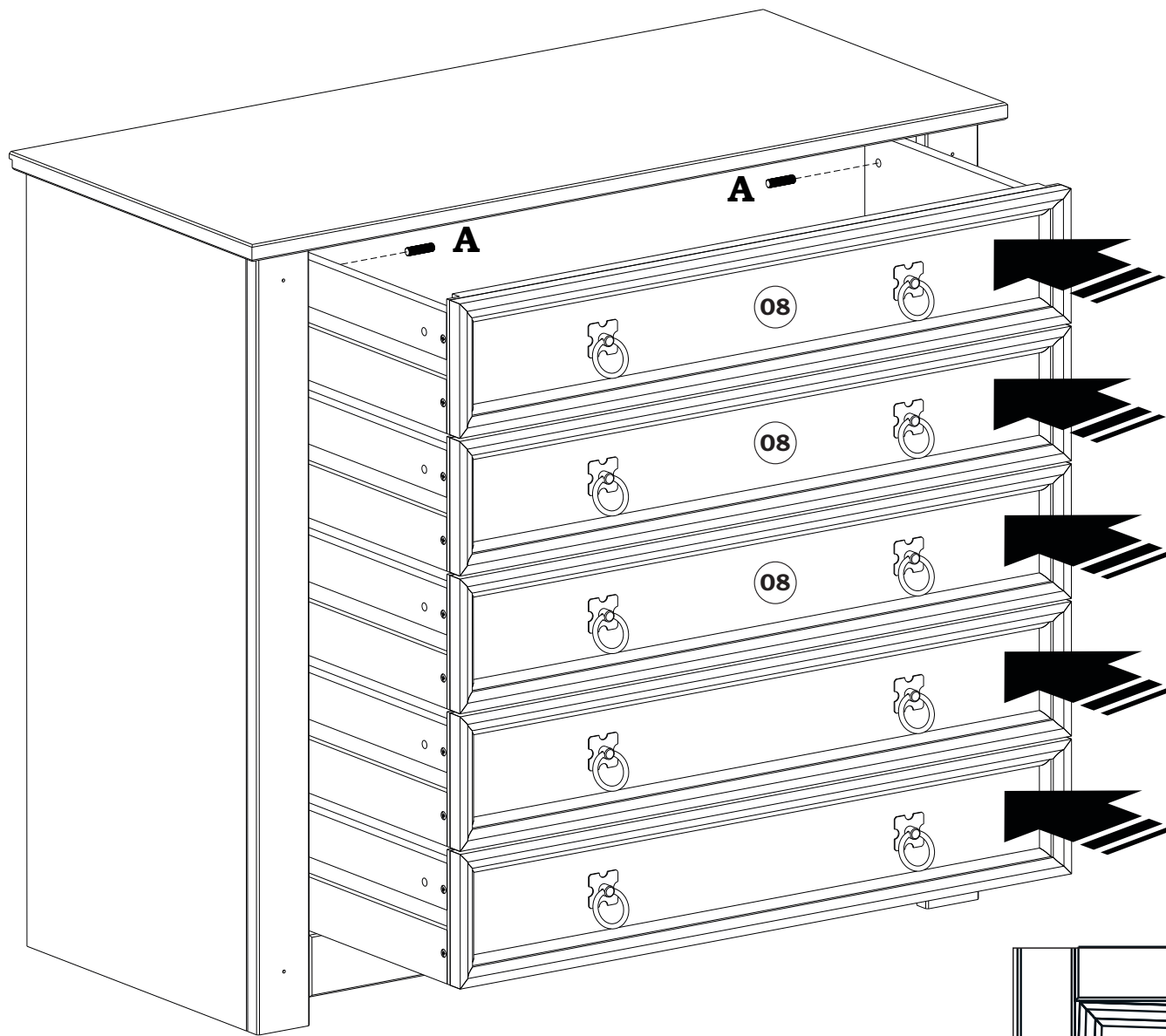
17

A



10x

Ø8,0x30mm

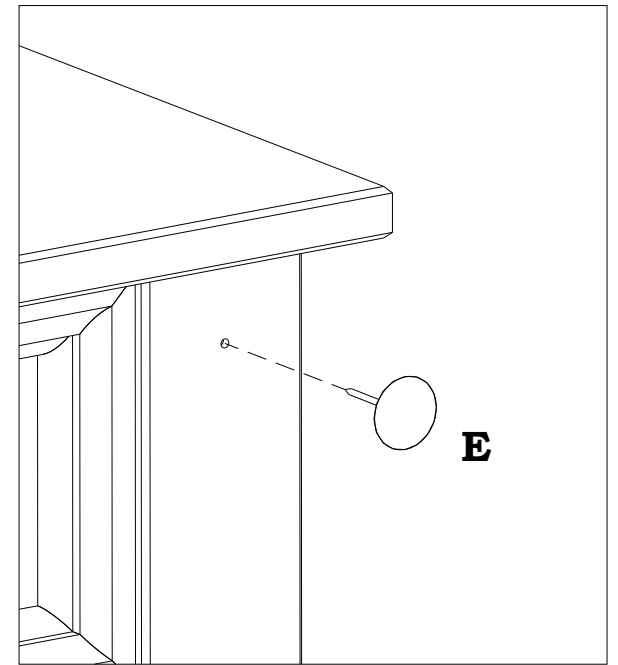
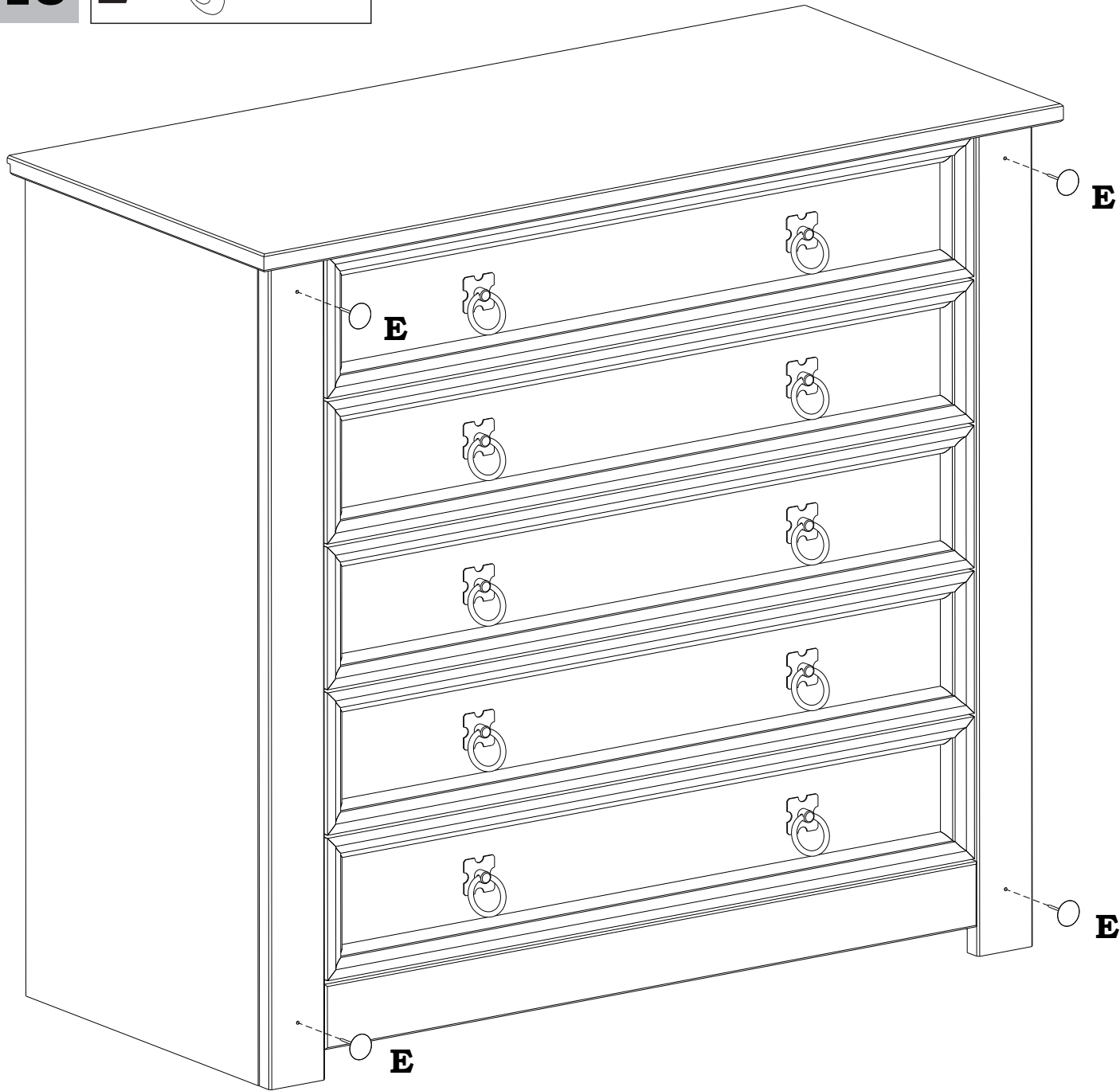


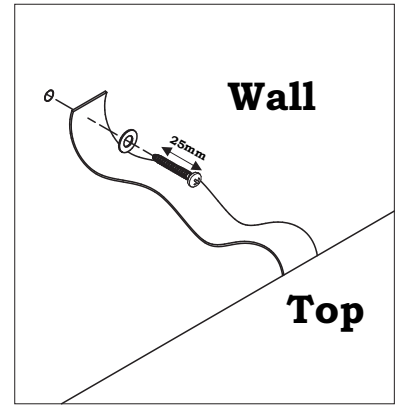
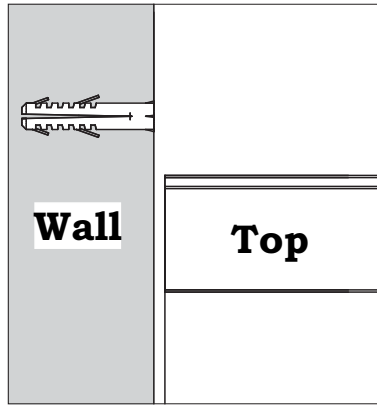
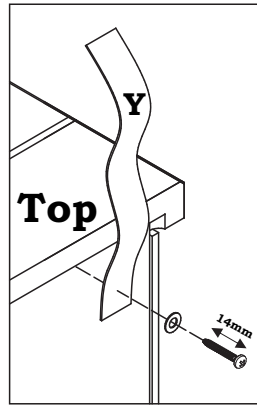
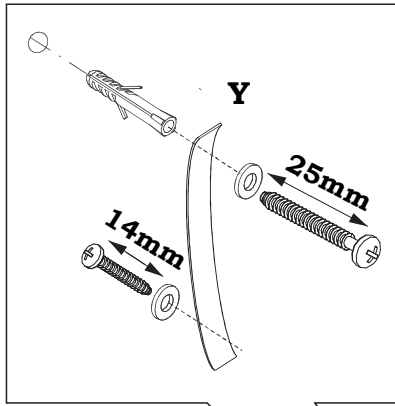
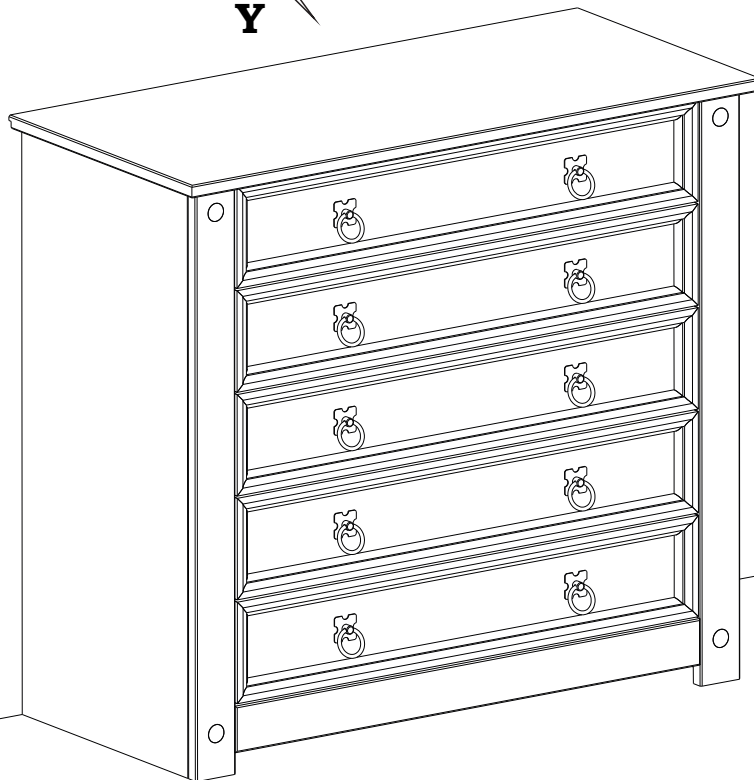
18

E



04x



19**Y****01x****Y**

WARNING: CHECK FOR HIDDEN PIPES AND CABLES BEFORE DRILLING.

IMPORTANT: IF YOUR WALLS ARE NOT SOLID LIKE BRICK OR STONE, YOU WILL REQUIRE SPECIALIST FITTINGS (NOT SUPPLIED).

- Place fixing strip against the wall and mark position for drilling hole.
- Drill hole in your wall to a depth of 30mm using a 6mm drill bit. If the surface of your wall is soft and crumbly, we would advise you to use a 5mm drill bit for a tighter fit.
- Insert the wall plug into the hole with end flush to the wall surface.
- Attach fixing strip to the wall using the 25mm screw + washer and securely tighten.
- Pre-drill small pilot hole on the back edge of the furniture top using a 2mm drill bit. Attach the other end of fixing strip to the back edge of the furniture top using the 14mm screw + washer and securely tighten.