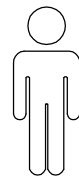
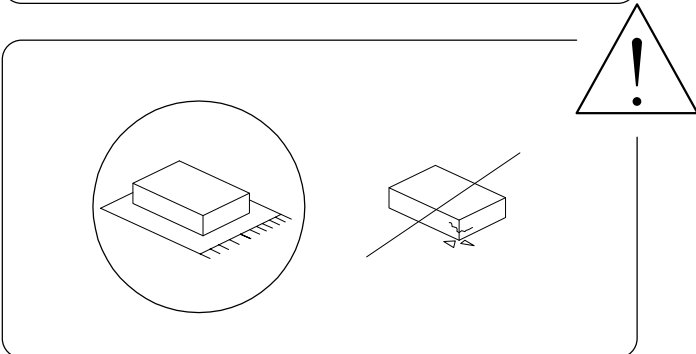
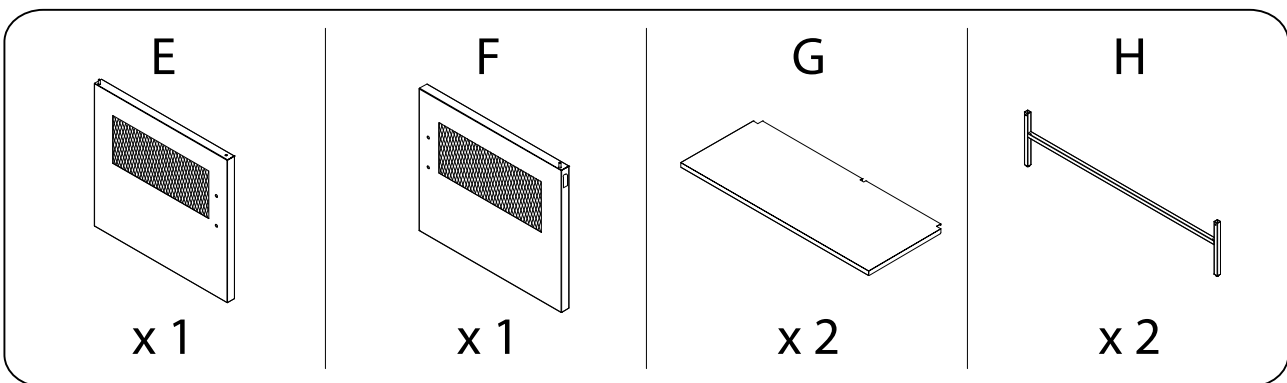
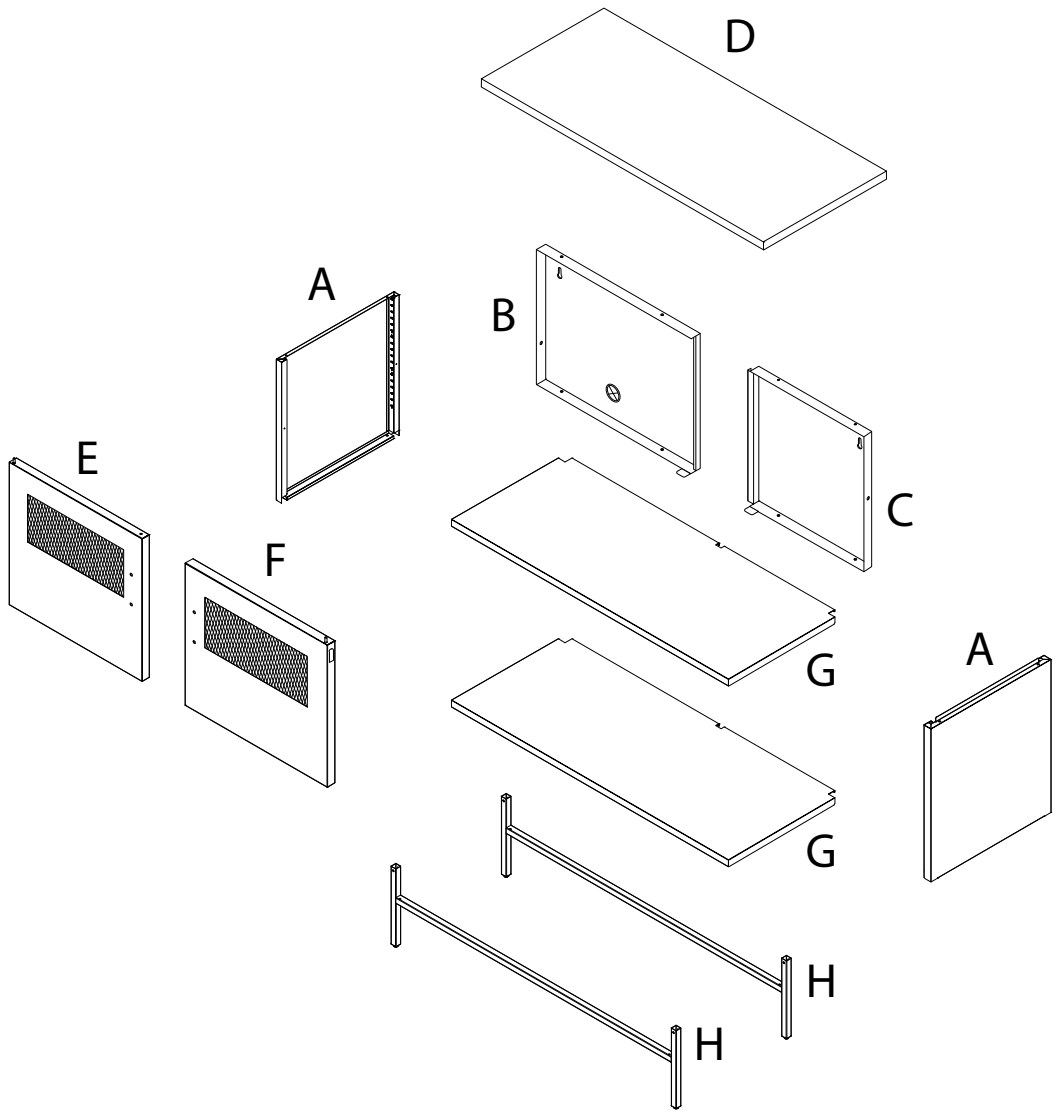
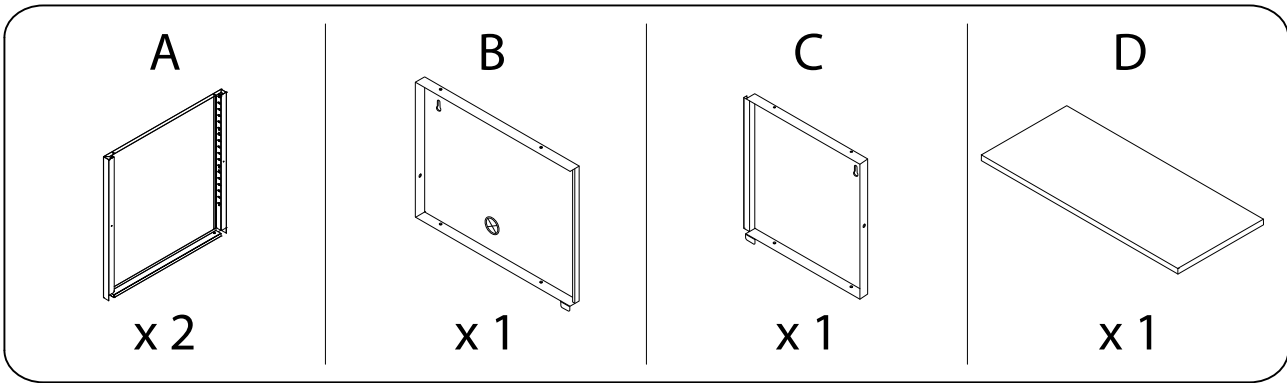


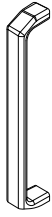
60'



1

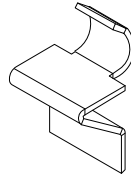


1



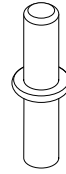
x 2

2



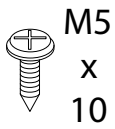
x 4

3



x 2

4



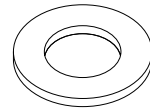
x 15

5



x 4

6



x 6

7



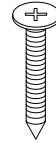
x 1

8a



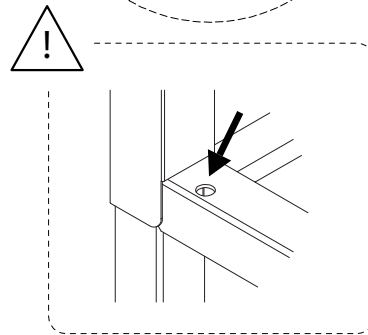
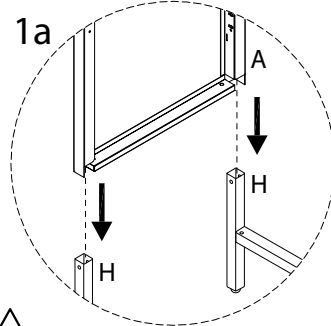
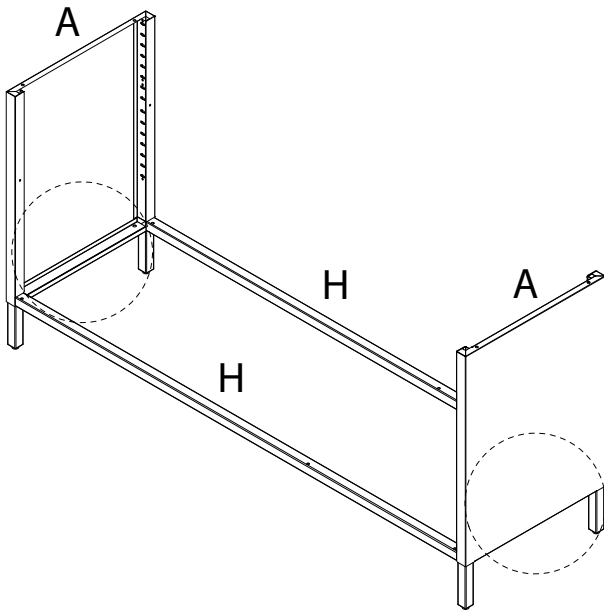
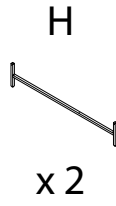
x 2

8b

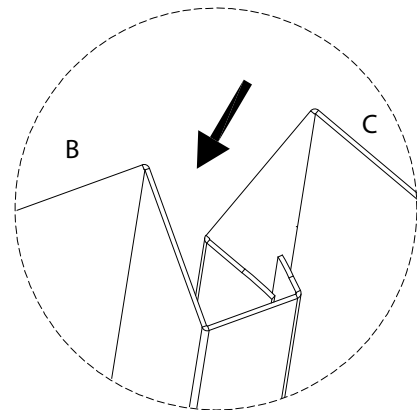
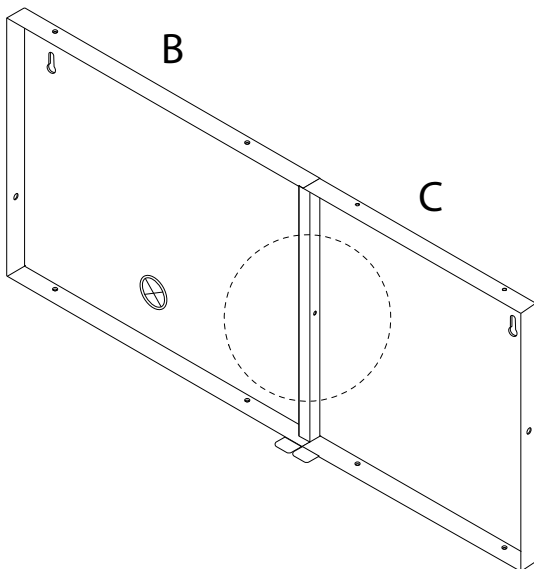
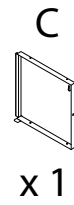
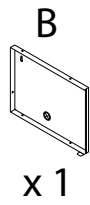


x 2

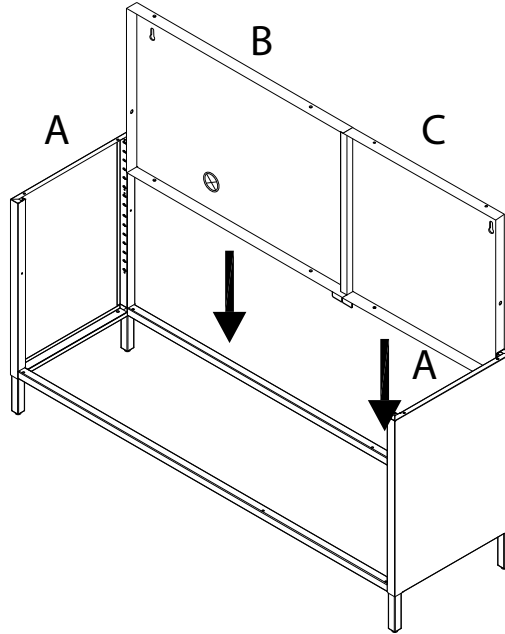
1



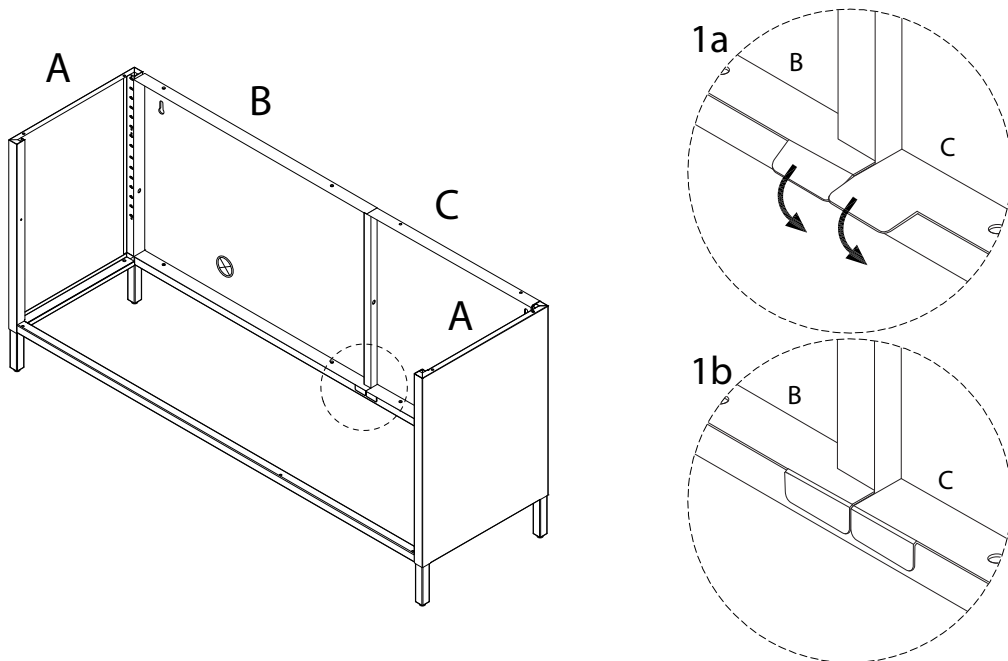
2



3

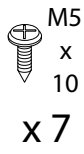


4



5

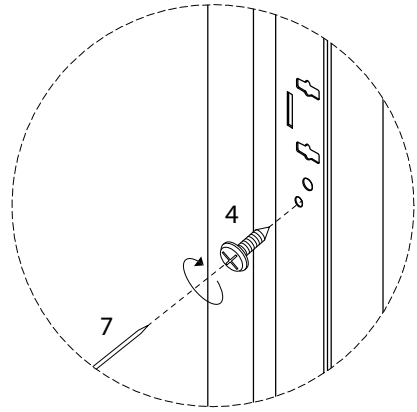
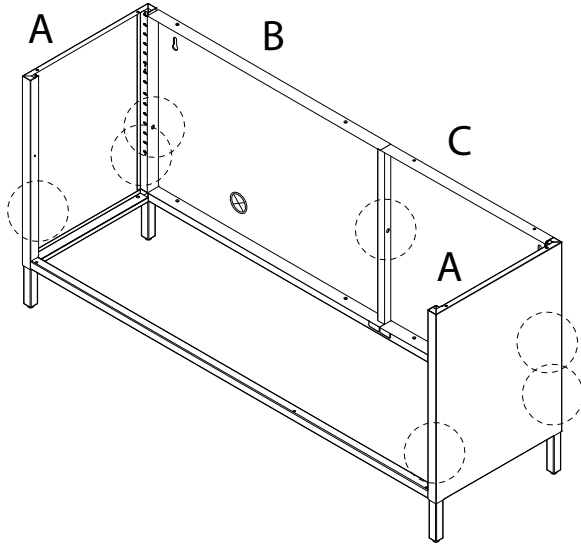
4



7

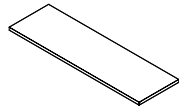


x 1



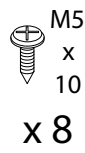
6

D



x 1

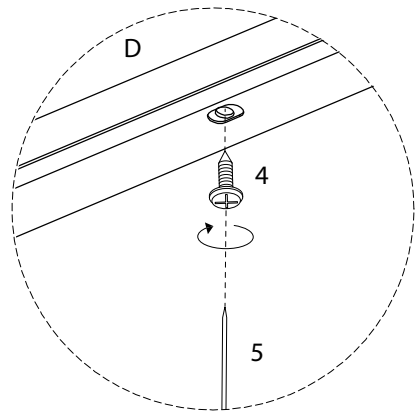
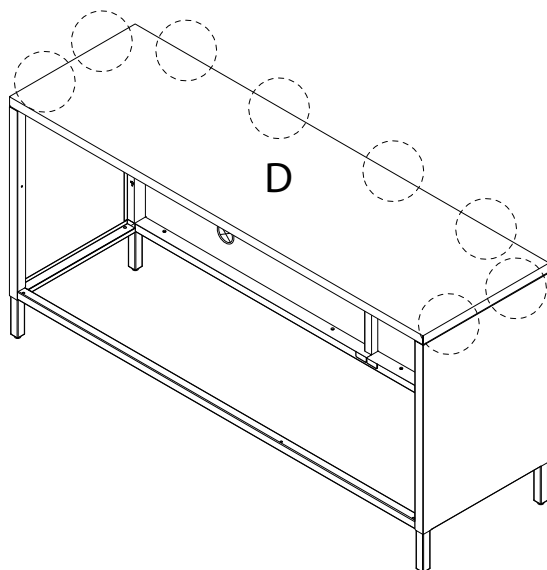
4



7

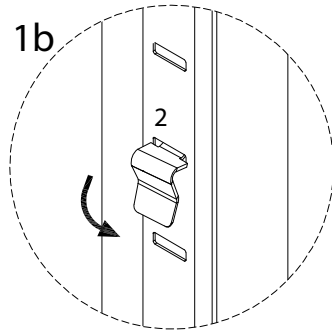
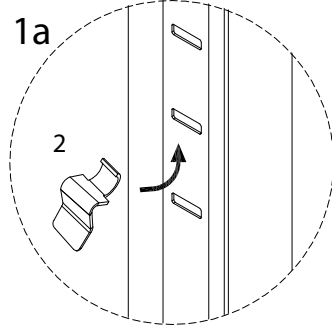
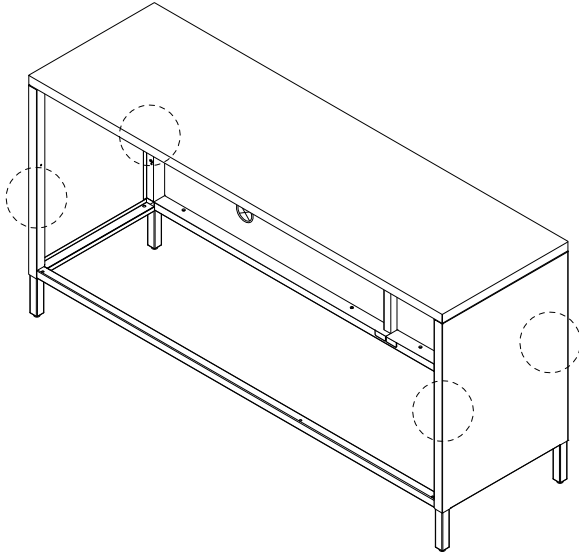


x 1



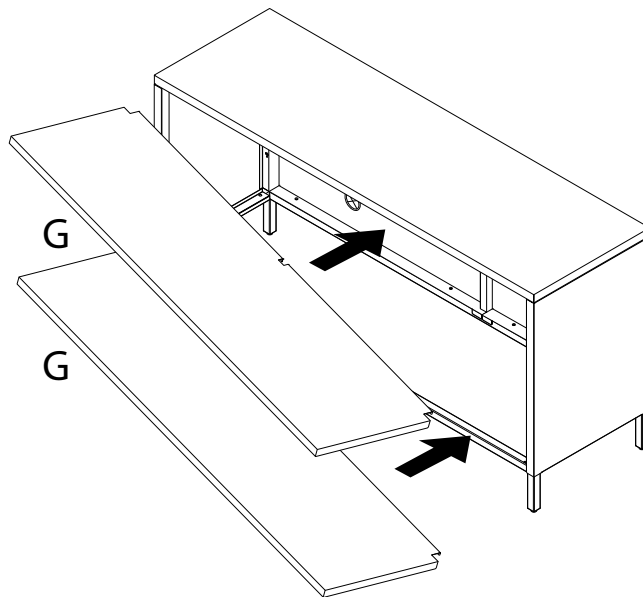
7

2
x4



8

G
x2



9

3

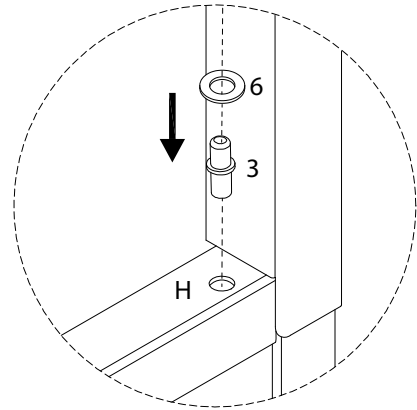
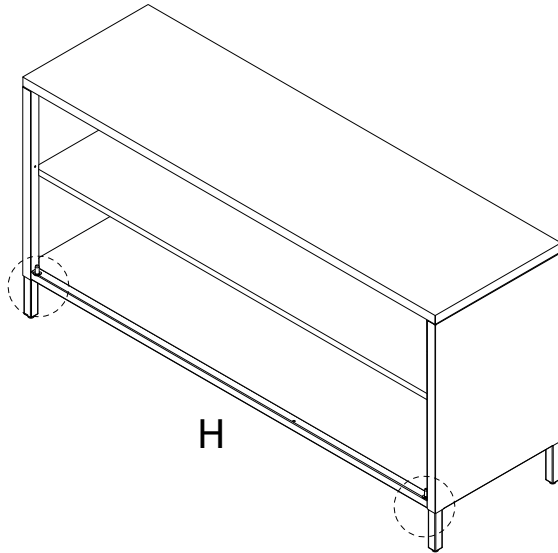


x 2

6



x 2



10

E

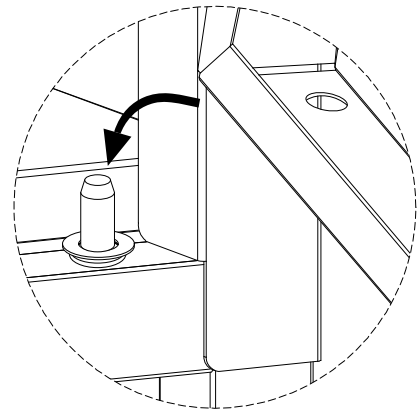
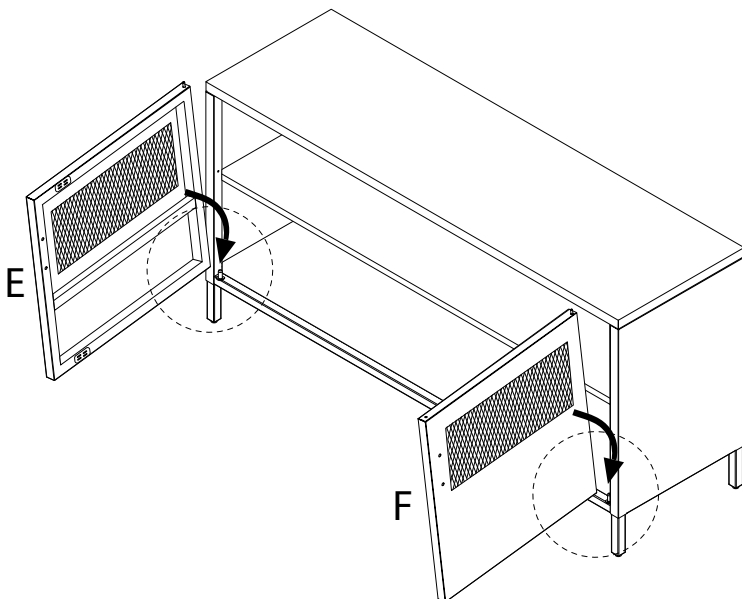


x 1

F

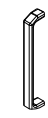


x 1



11

1



x 2

5



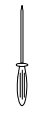
x 4

6

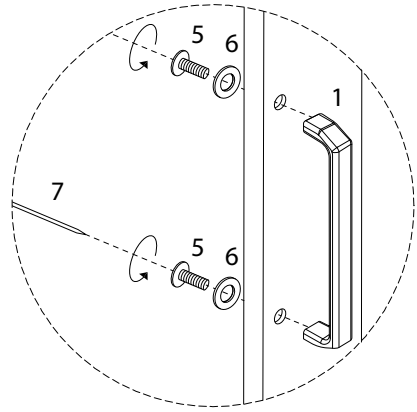
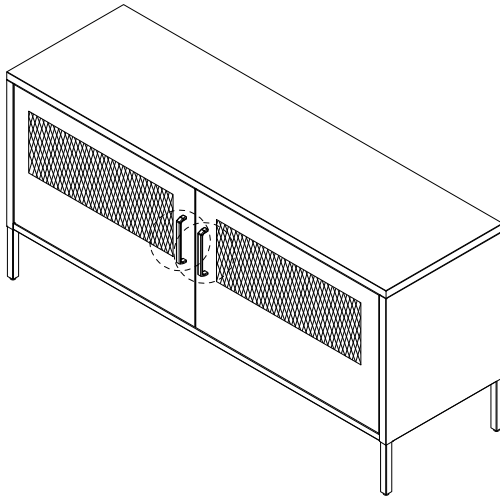


x 4

7

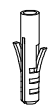


x 1



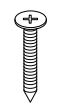
12

8a



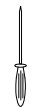
x 2

8b



x 2

7



x 1

