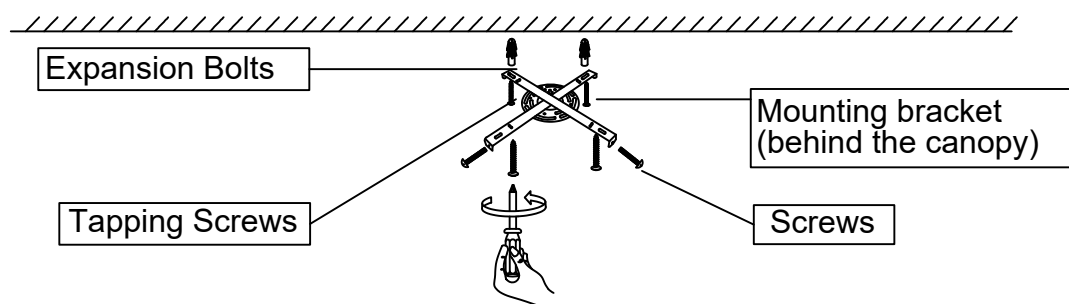


ITEM NO.#YH-2120 INSTALLATION INSTRUCTION

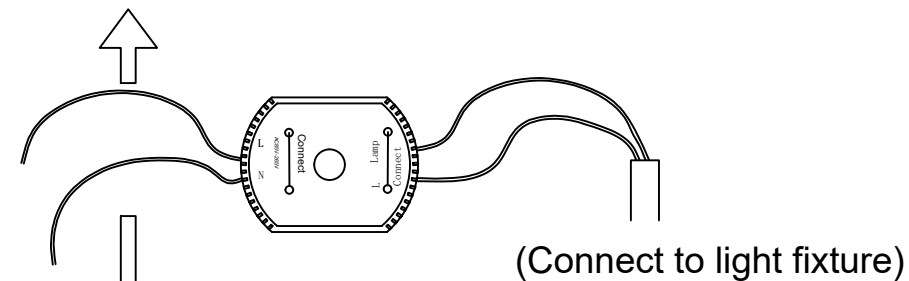
Please Scan the QR code to watch the installation video. If you have any questions, please feel free to contact us through the order page.



Black wire(or brown wire) :connect to live wire (L)

Connection teminal
(Input Voltage 110-265V)

White wire(or blue wire) :connect to neutral wire(N)



Installation Steps:

- 1.Install the mounting bracket.
2. Remove the protective film from the surface of the light fixture. Avoid using knives or sharp tools to prevent scratching the fixture or damaging the wire insulation.
- 3.Test circuit: Connect the power wires with a temporary wire to test if the light is working properly before installing it to the ceiling.
4. Installation:Install the lamp body to the mounting bracket, and connect the power wires with the connecting terminals.
- 5.Turn on the power and double-check; the installation is complete.



Warning!

- 1.Installation should be performed by a professional.
- 2.This light fixture operates with a voltage range of 110V to 265V only.
- 3.Do not install the light fixture in damp conditions.
- 4.To prevent electric shock, please turn off the power before installing, repairing, or cleaning the light fixture.
- 5.Keep away from acidic and corrosive materials.

Installation Instructions for Mounting Bracket

While the installation process is straightforward, it is recommended that two individuals collaborate. This ensures efficient assembly of components and optimal safety when mounting to the ceiling.

