

**ATTENTION: DO NOT RETURN THIS PRODUCT!!!  
PLEASE READ THE FOLLOWING!!!**

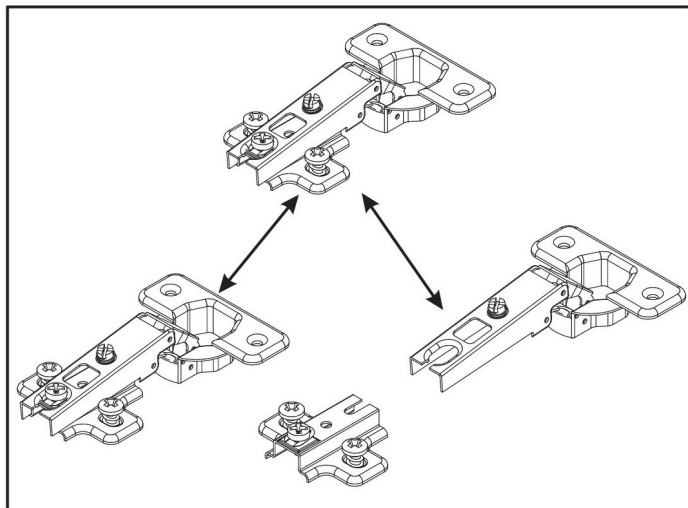
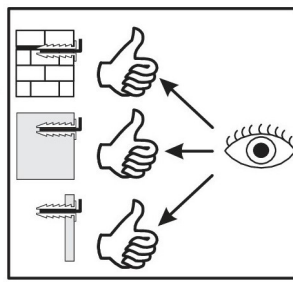
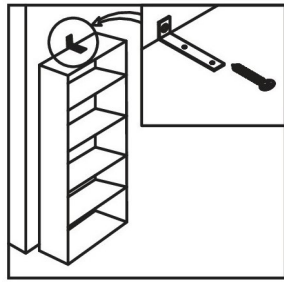
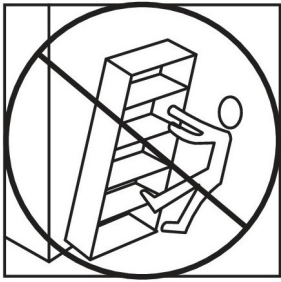
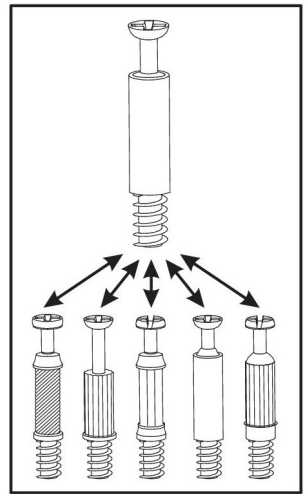
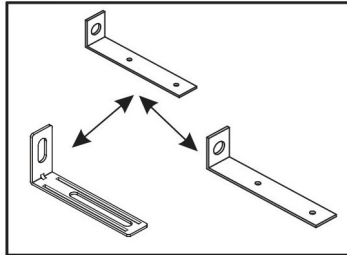
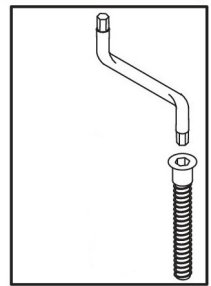
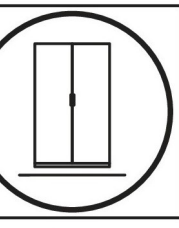
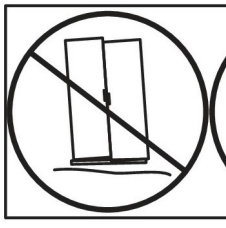
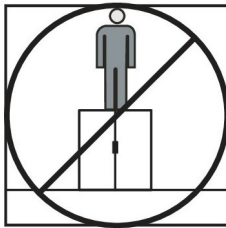
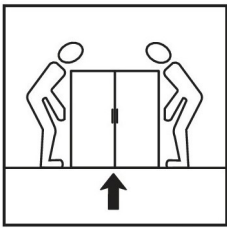
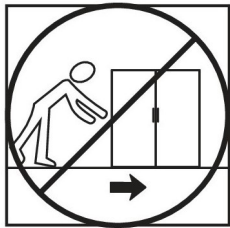
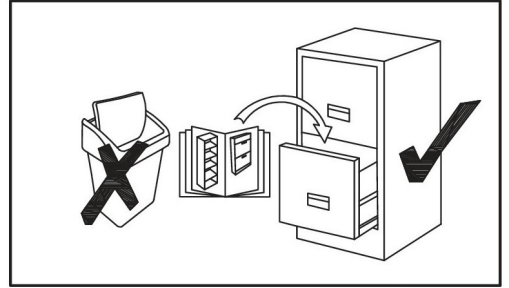
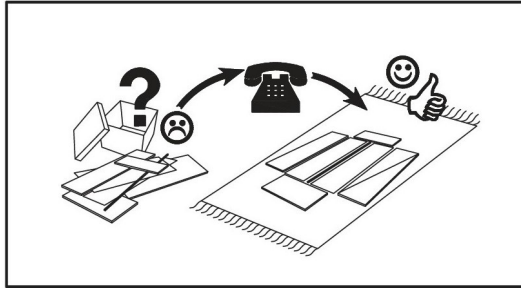
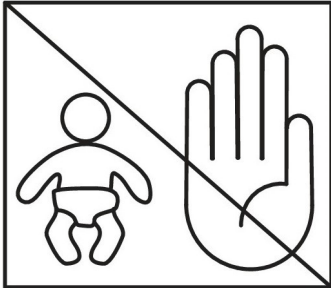
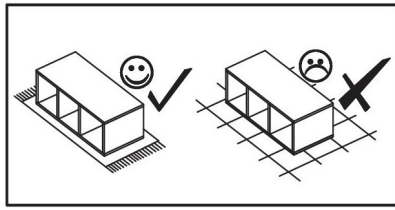
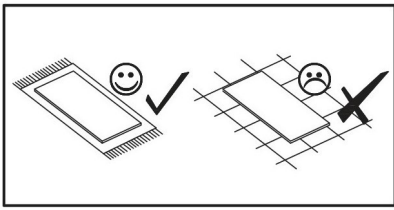
**NOTICE REGARDING HIGH GLOSS  
PROTECTIVE FOIL AND PRODUCT CARE:**

After removing the protective foil from the gloss fronts, the acrylic surface of the boards is still soft and easy to scratch. With air contact, the hygroscopic acrylic layer hardens, and the board becomes more resistant to scratches. It takes approximately 48 hours for the acrylic layer of the board to fully harden.

Replacement parts are shipped out in one business day. You will receive a tracking number via email once your parts request has been processed.

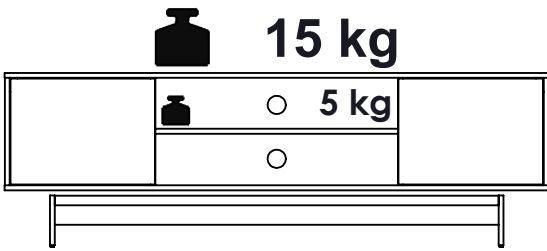
**DO NOT CLEAN, WIPE, OR POLISH THE  
ACRYLIC FRONTS FOR 48 HOURS AFTER  
REMOVING THE PROTECTIVE FOIL!!!**





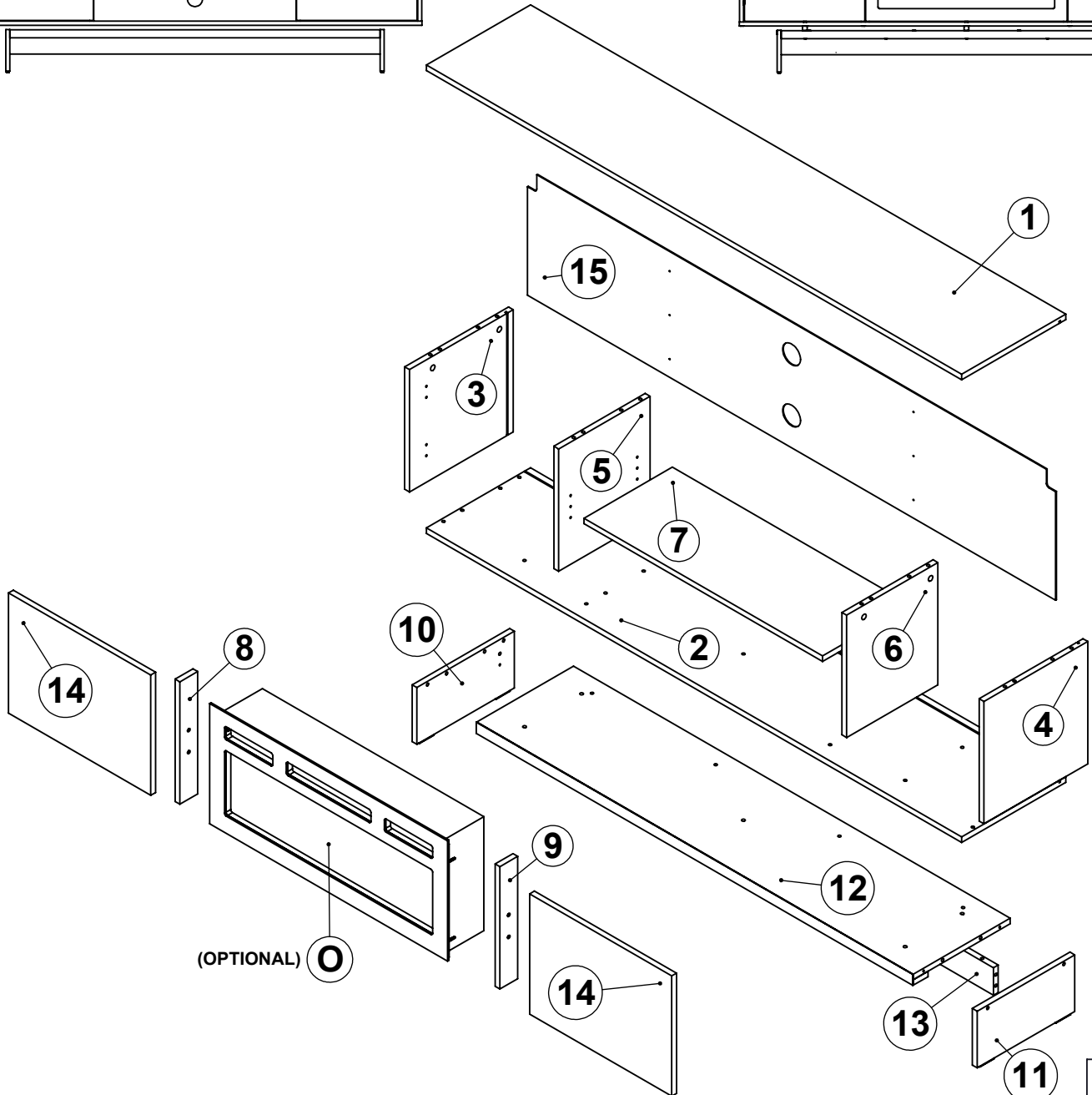
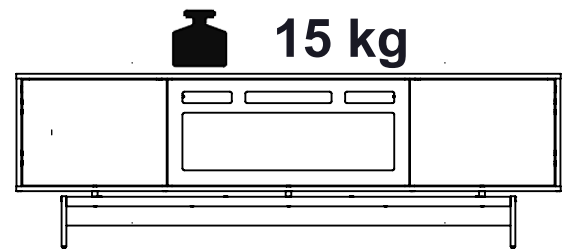
**WHITE / BLACK**

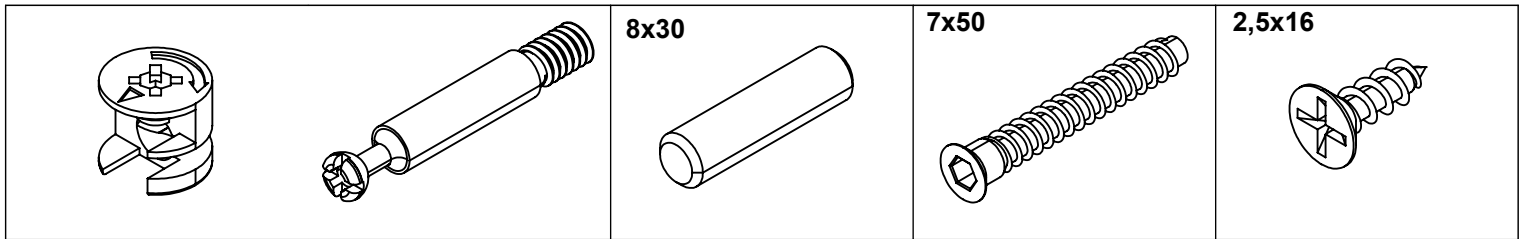
**VARIANT-1** ( WITHOUT FIREPLACE )



**VARIANT-2** ( WITH FIREPLACE )

(OPTIONAL - FIREPLACE TO PURCHASE SEPARATELY)





8x30

7x50

2,5x16

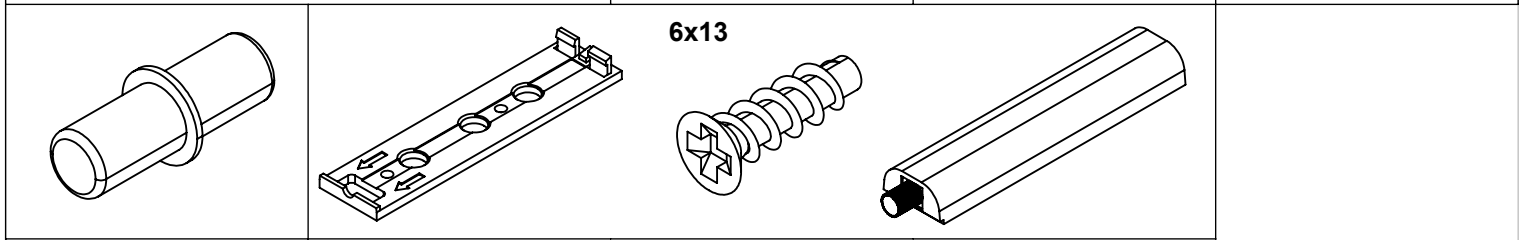
**A x 10**

**B x 10**

**C x 25**

**D x 16**

**E x 6**



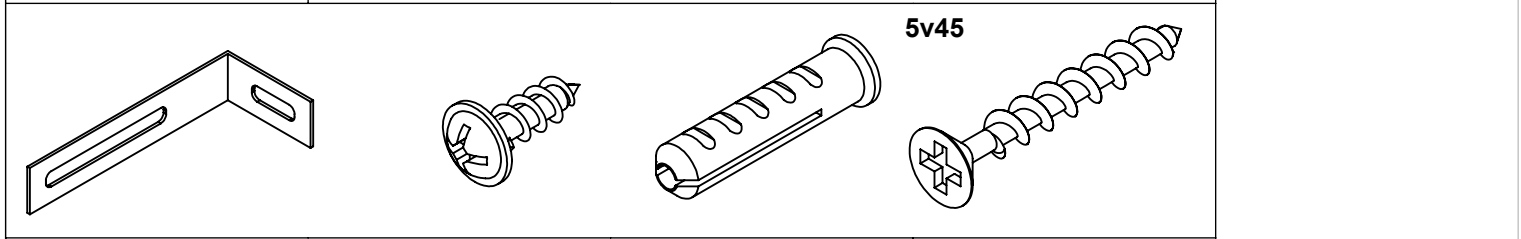
6x13

**F x 4**

**H1 x 2**

**H2 x 4**

**H3 x 2**



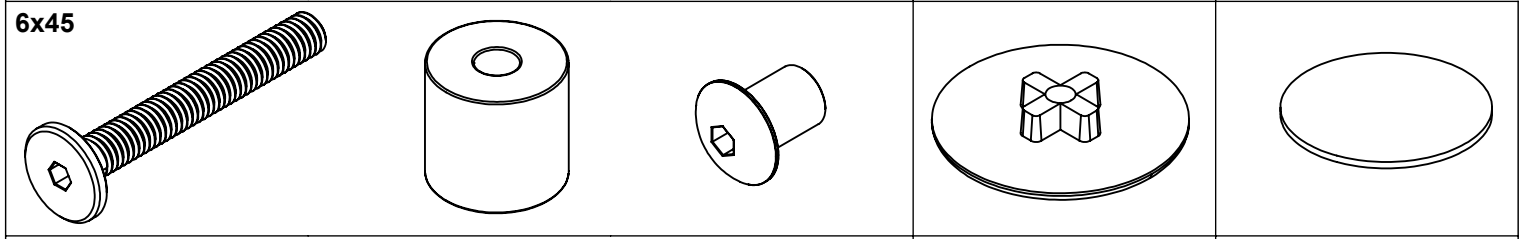
5v45

**I1 x 2**

**I2 x 2**

**I3 x 2**

**I4 x 2**



6x45

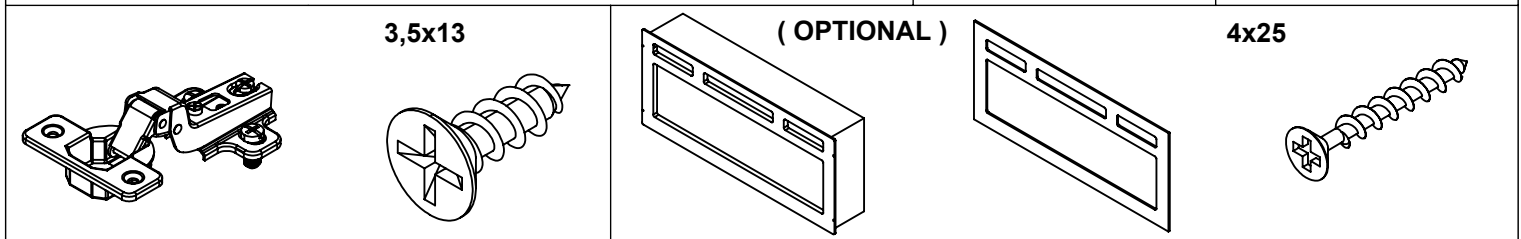
**J1 x 5**

**J2 x 5**

**J3 x 5**

**K x 8**

**L x 4**



3,5x13

( OPTIONAL )

4x25

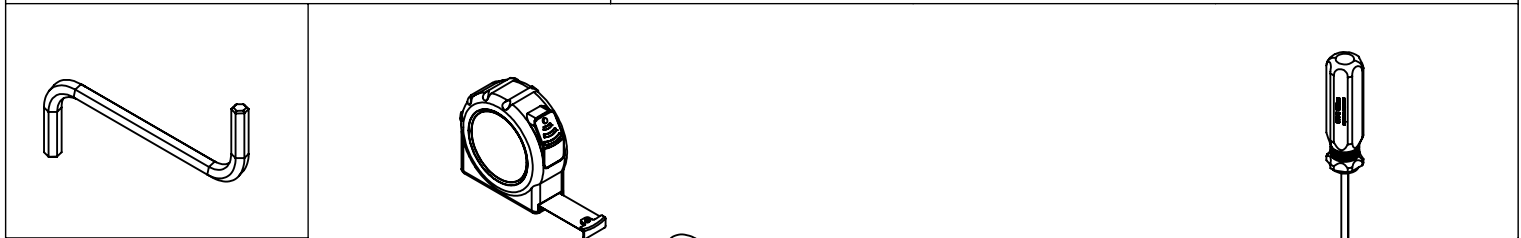
**M x 4**

**N x 8**

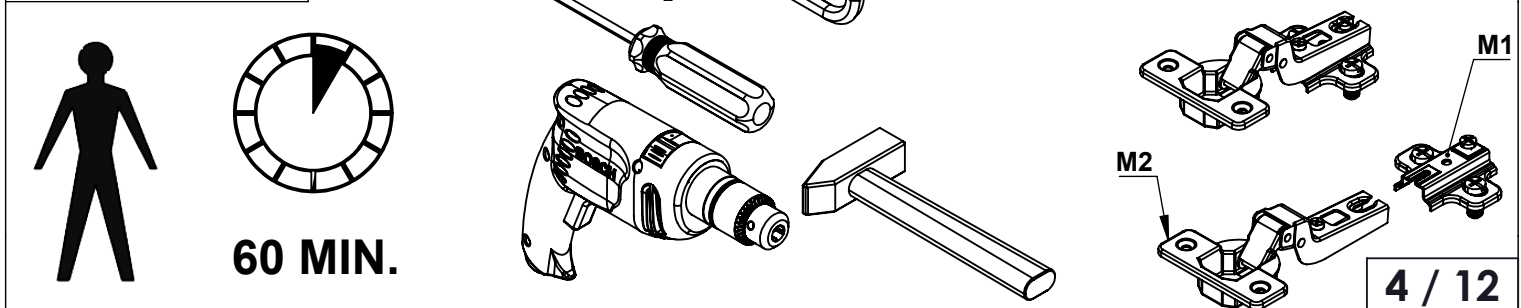
**O1 x 1**

**O2 x 1**

**O3 x 4**



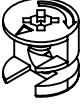
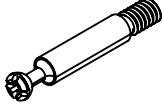
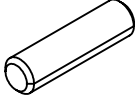
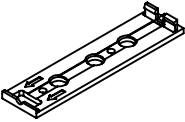
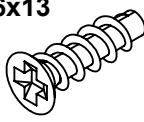
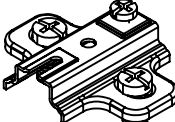
**IMBUS**

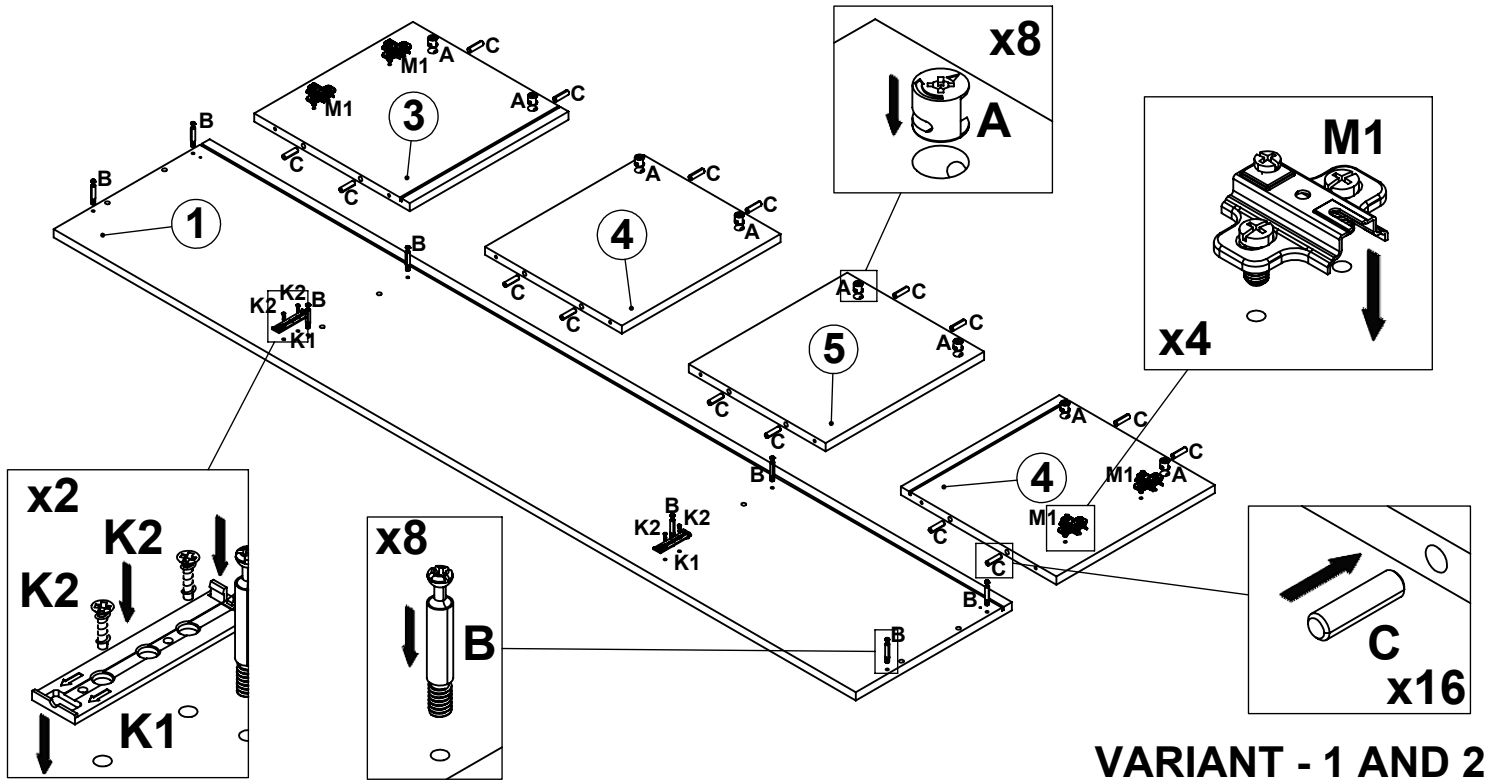
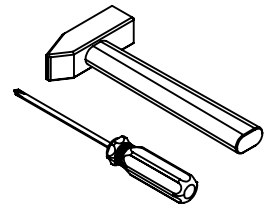


**60 MIN.**

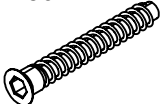
**UNSCREW BEFORE ASSEMBLY**

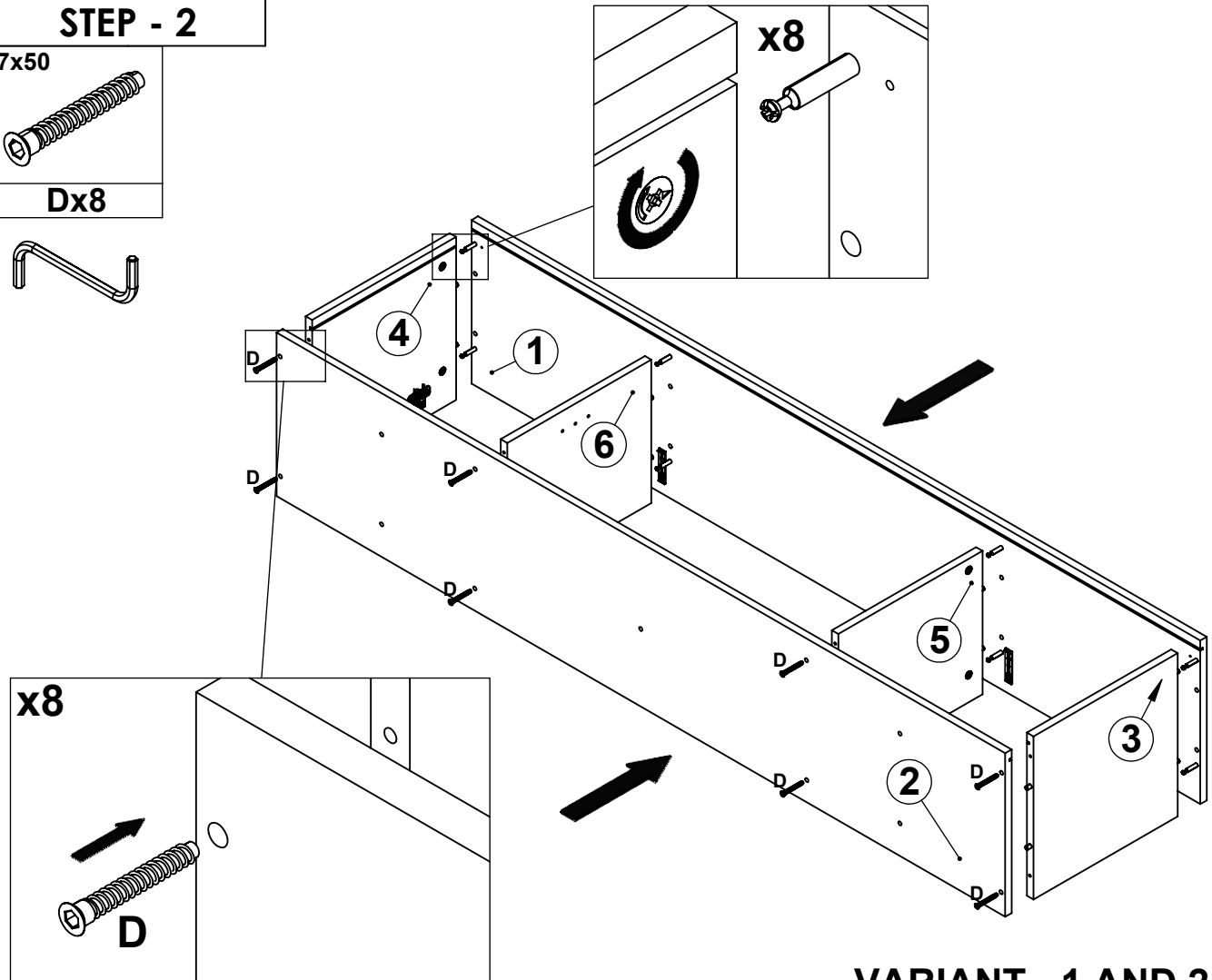
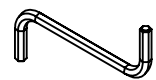
# STEP - 1

					
<b>Ax8</b>	<b>Bx8</b>	<b>Cx16</b>	<b>K1x2</b>	<b>K2x4</b>	<b>M1x4</b>

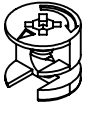


# STEP - 2

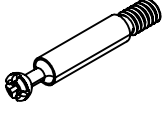

<b>Dx8</b>



### STEP - 3

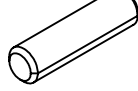


Ax2

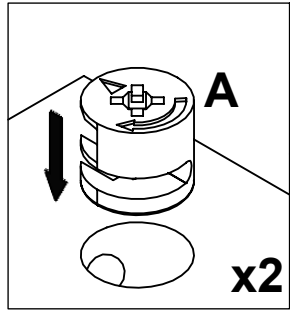
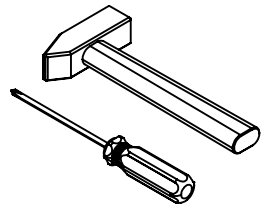


Bx2

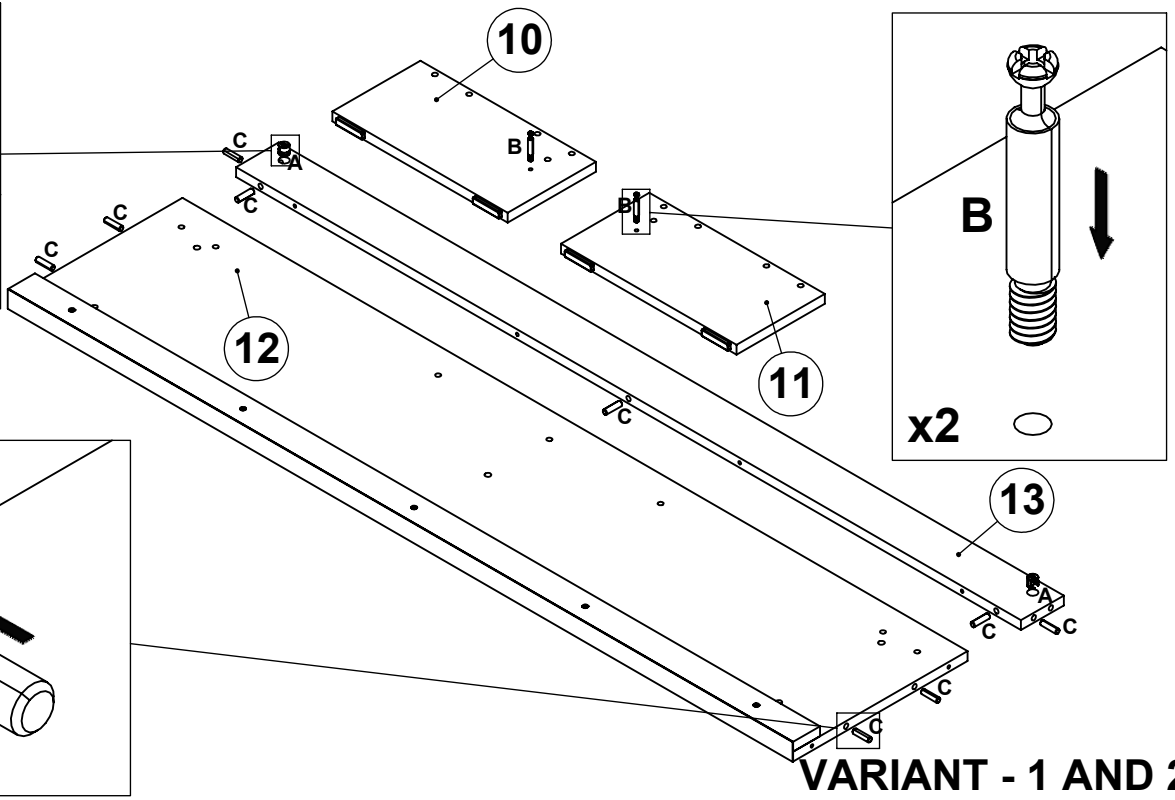
8x30



Cx9



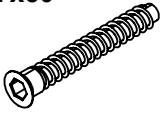
x2



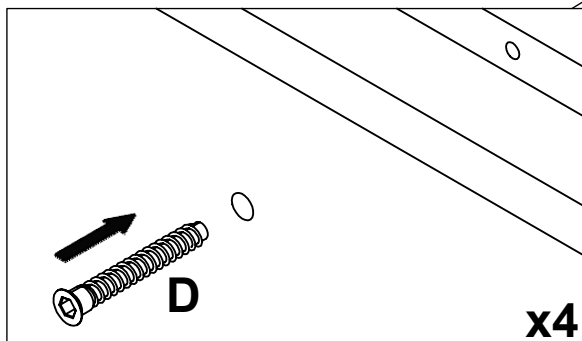
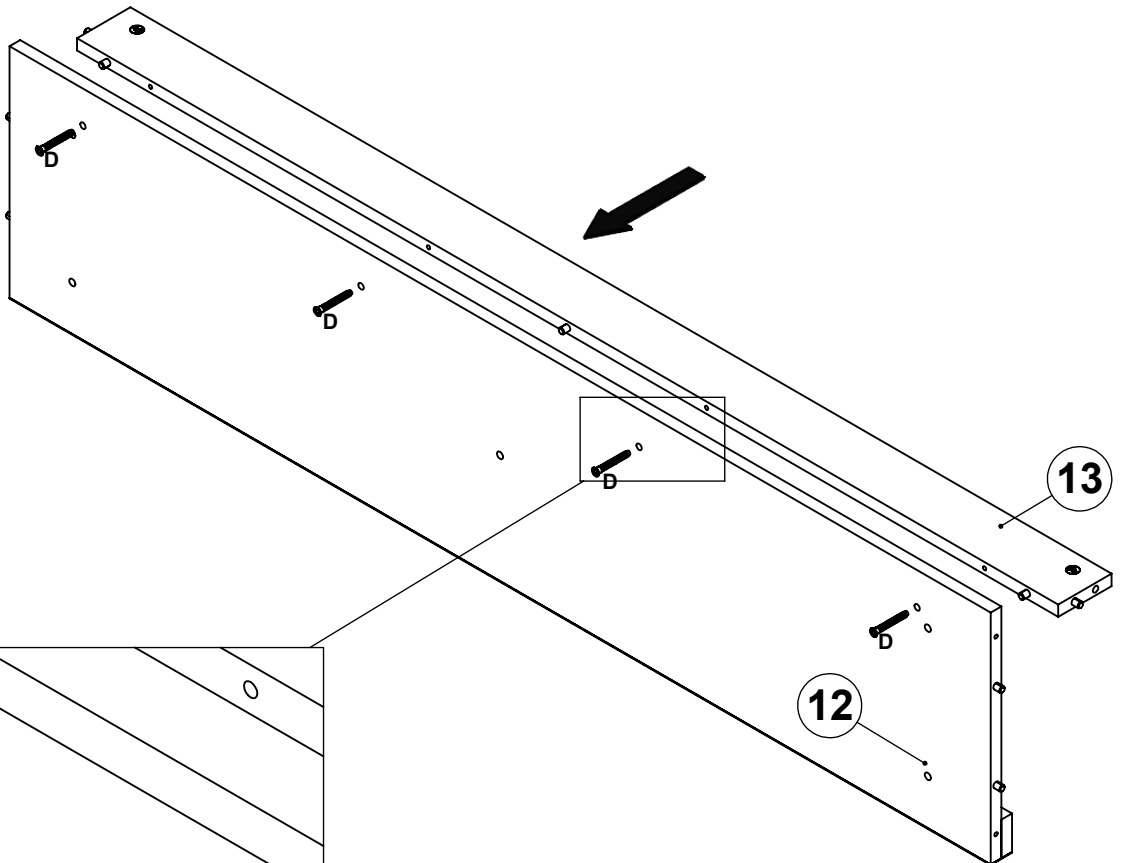
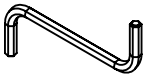
VARIANT - 1 AND 2

### STEP - 4

7x50



Dx4



x4

VARIANT - 1 AND 2 6 / 12

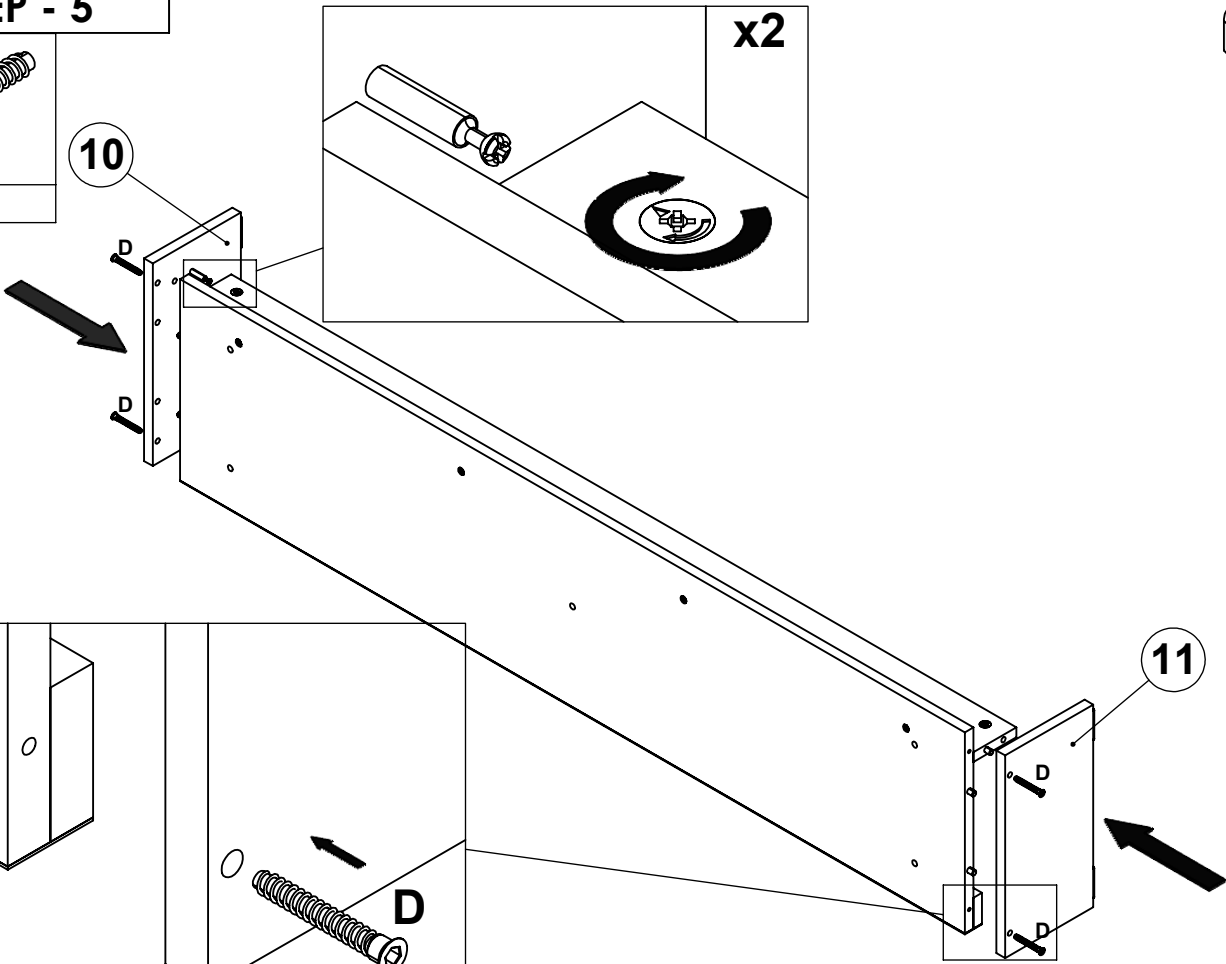
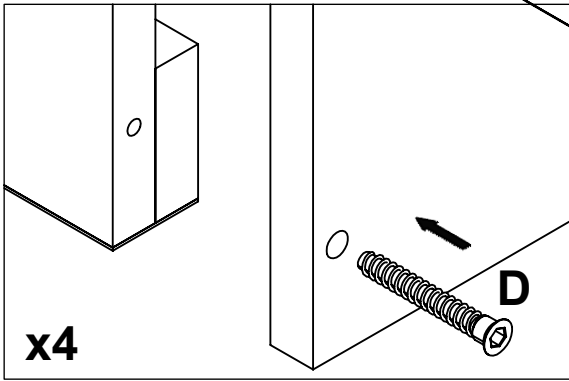
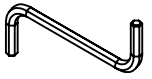
**STEP - 5**



Dx4

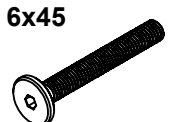
10

x2

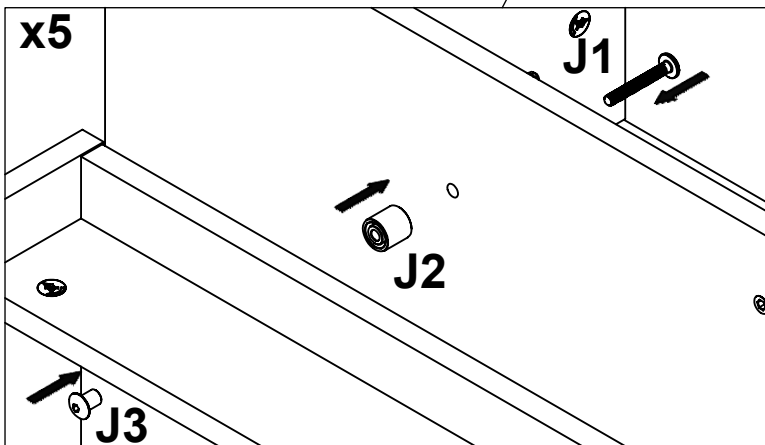
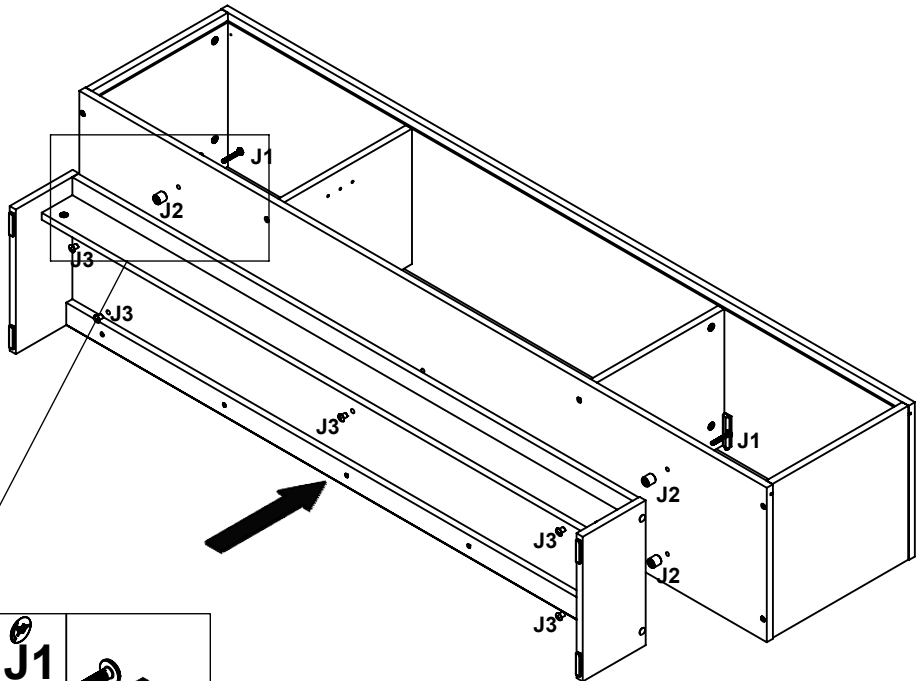
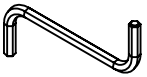
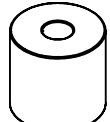


**VARIANT - 1 AND 2**

**STEP - 6**



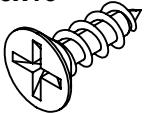
J1x5



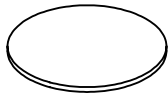
**VARIANT - 1 AND 2** 7 / 12

### STEP - 7

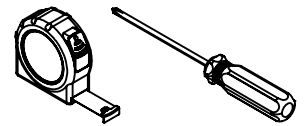
2,5x16



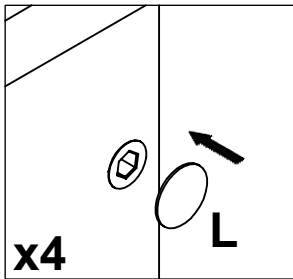
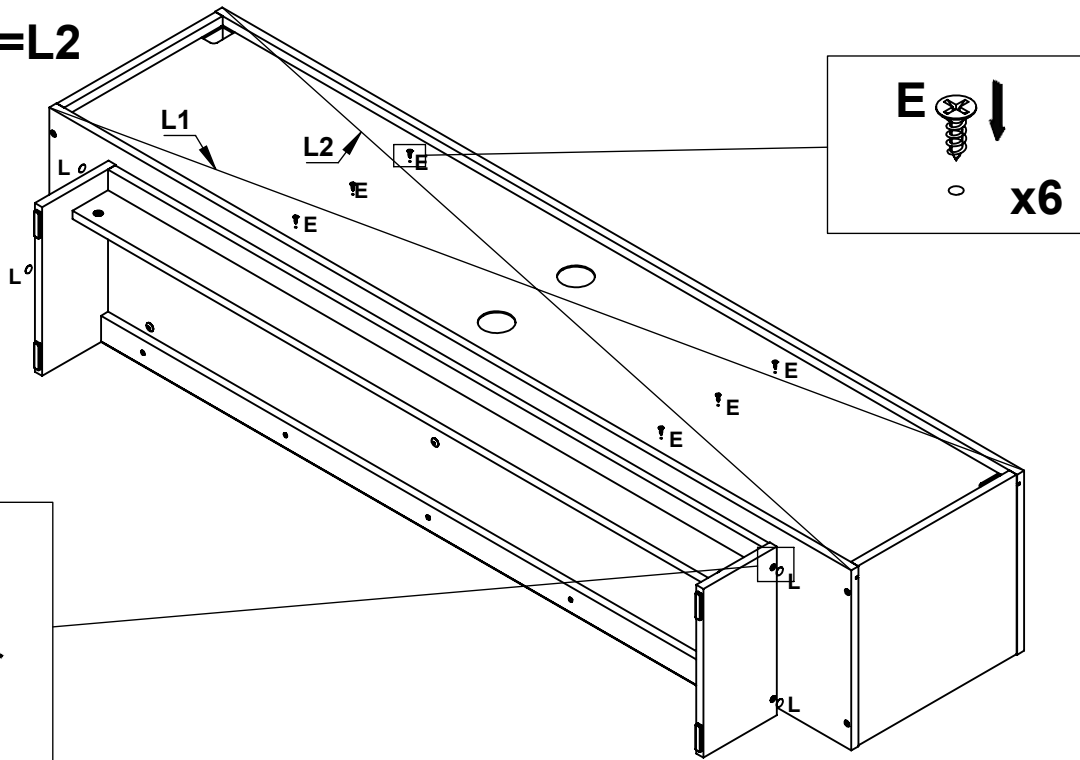
Ex6



Lx4



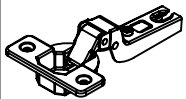
L1=L2



VARIANT - 1 AND 2

### STEP - 8

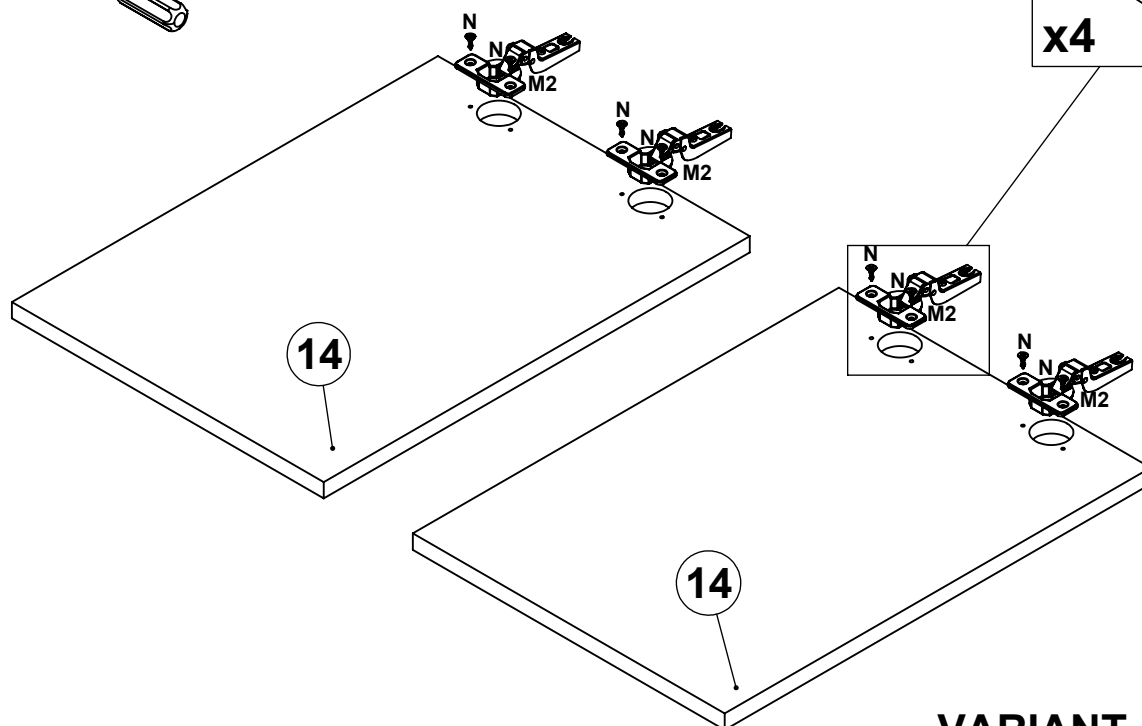
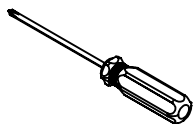
3,5x13



M2x4

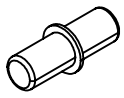


Nx8

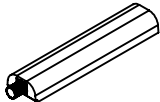


VARIANT - 1 AND 2 8 / 12

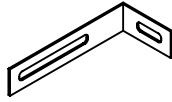
**STEP - 9**



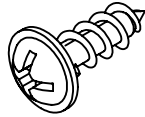
**Fx4**



**H3x2**



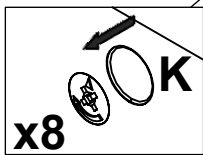
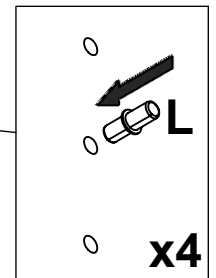
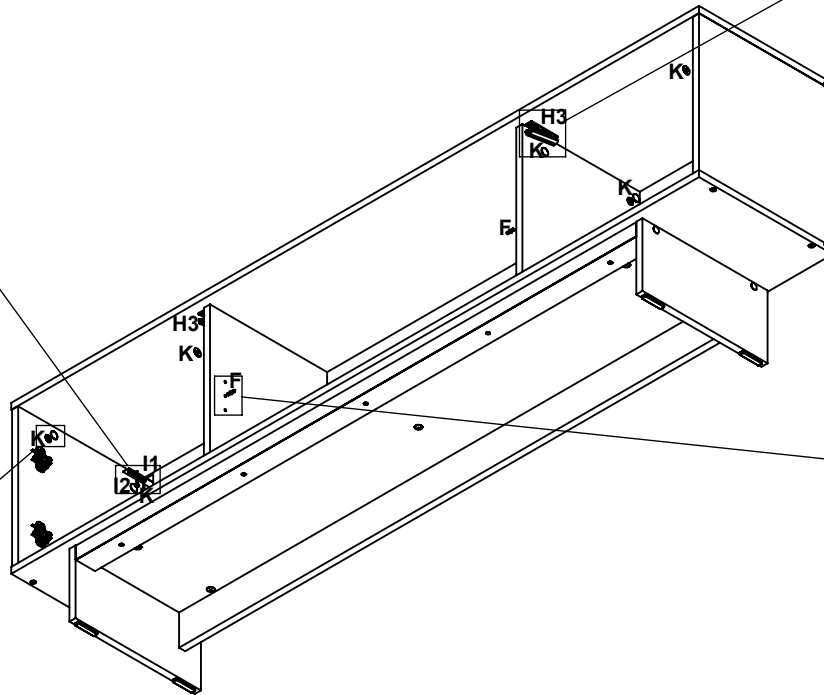
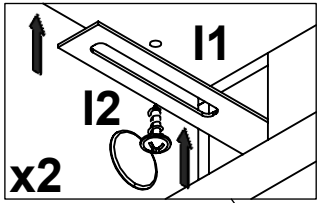
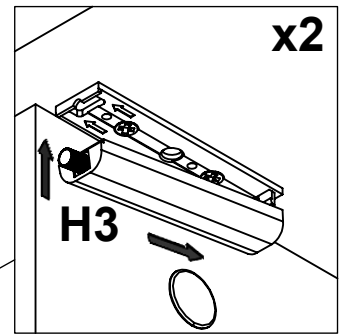
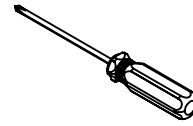
**I1x2**



**I2x2**

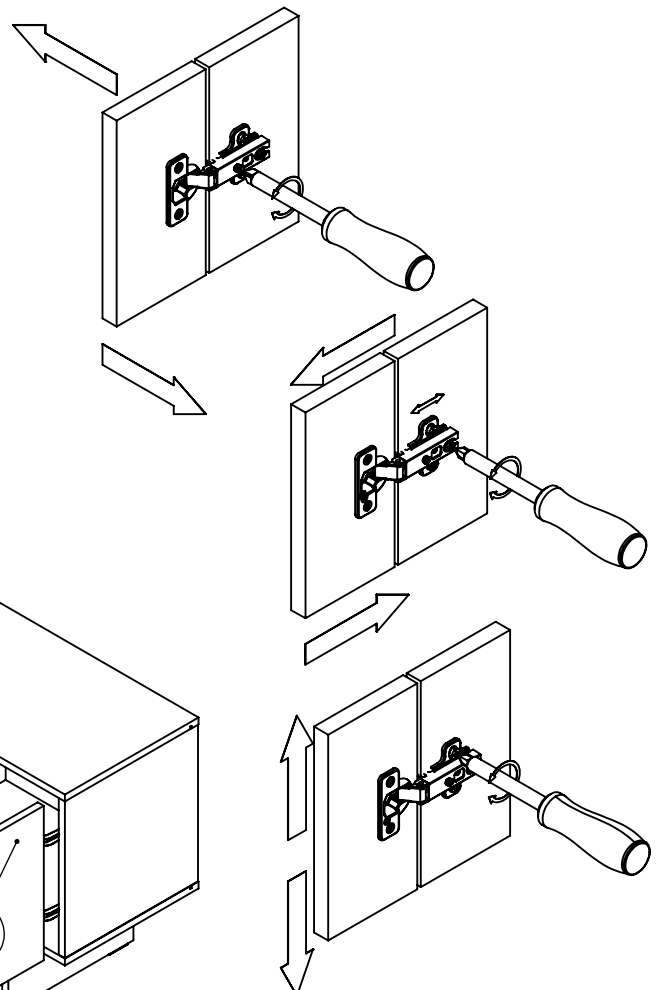
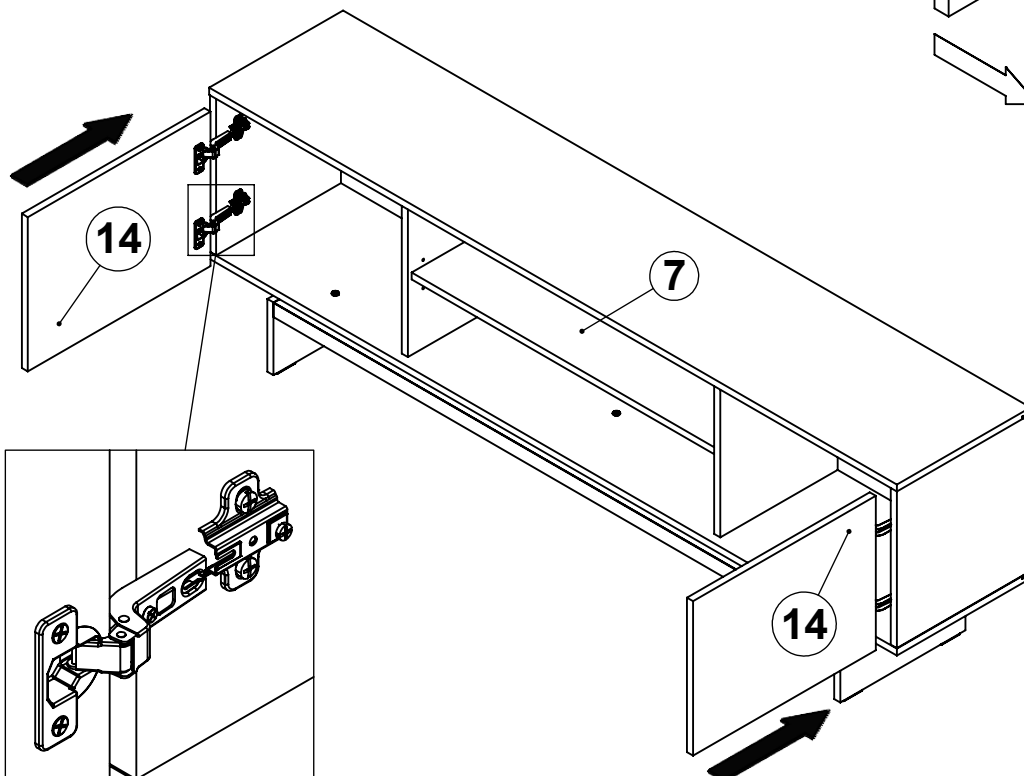
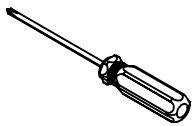


**Kx8**



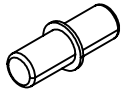
**VARIANT - 1**

**STEP - 10**

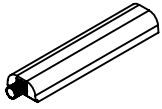


**VARIANT - 1 9 / 12**

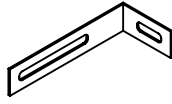
**STEP - 11**



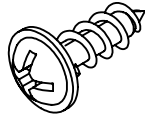
**Fx4**



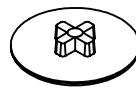
**H3x2**



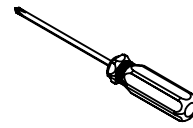
**I1x2**



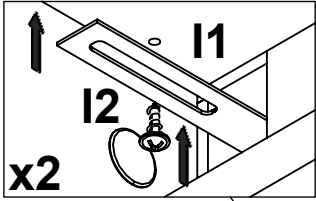
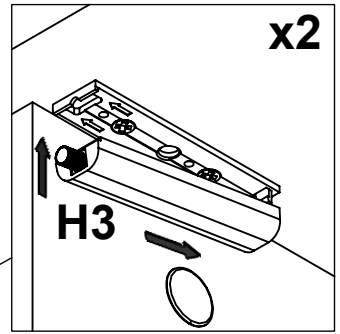
**I2x2**



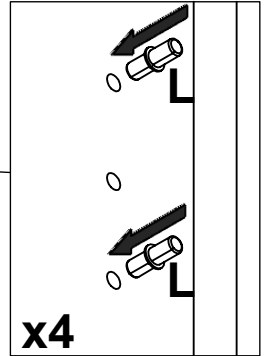
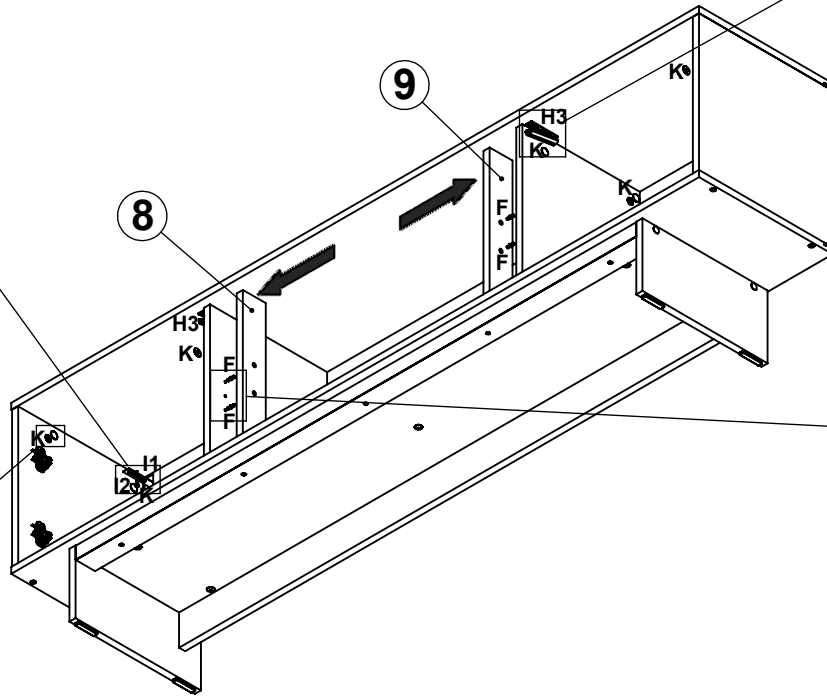
**Kx8**



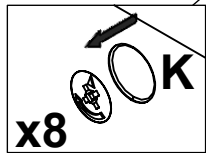
**x2**



**x2**



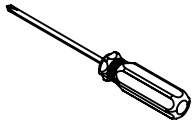
**x4**



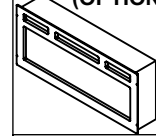
**x8**

**VARIANT - 2 (OPTION)**

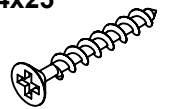
**STEP - 12**



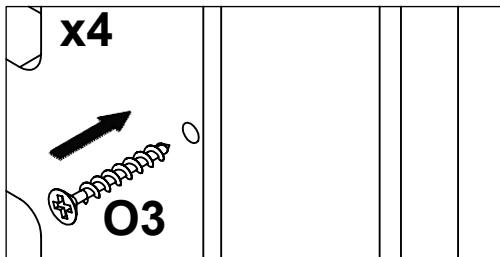
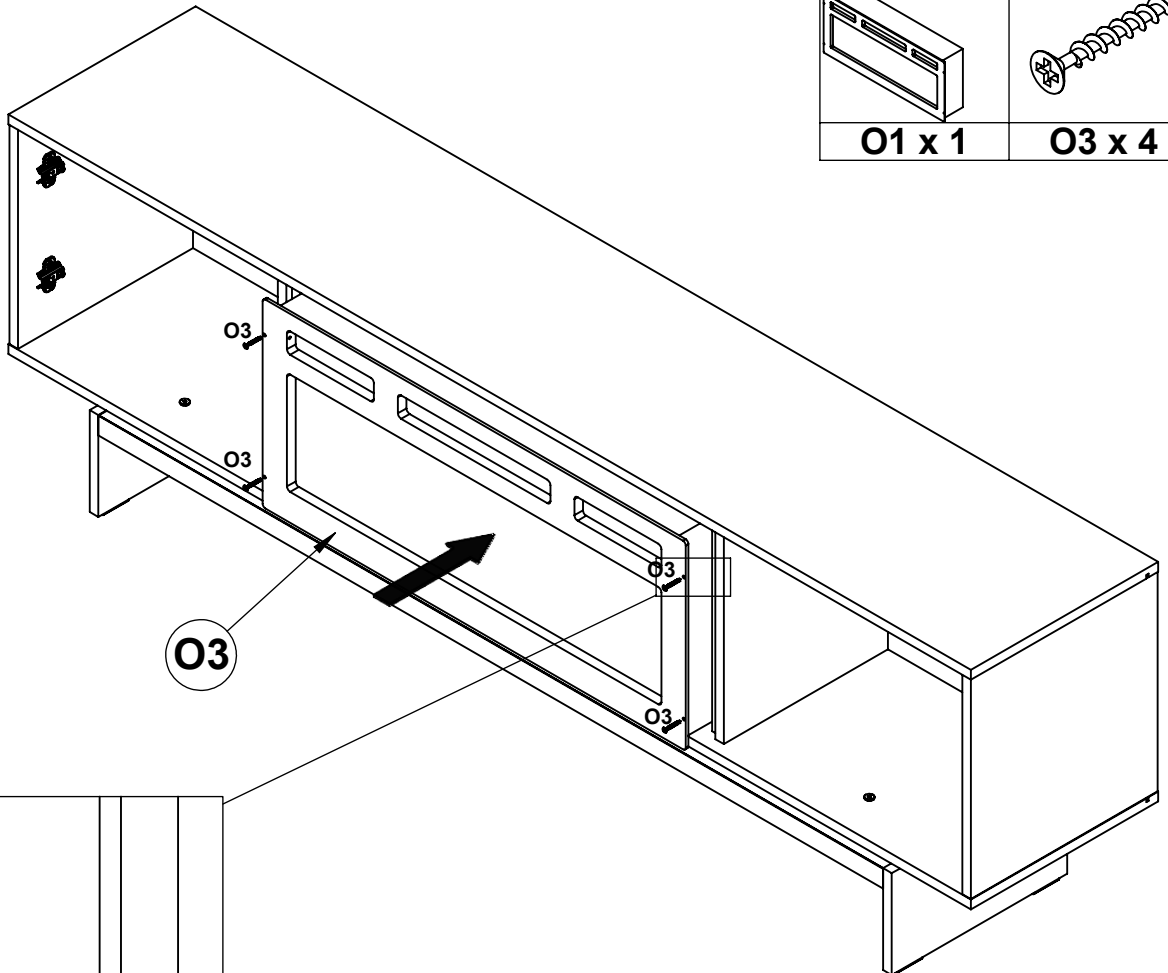
(OPTIONAL) 4x25



**O1 x 1**



**O3 x 4**

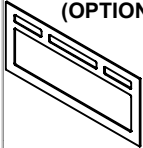


**x4**

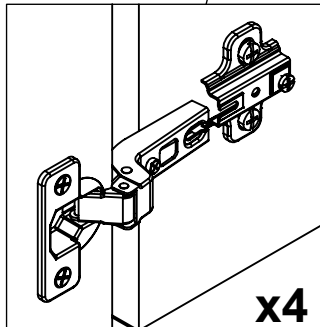
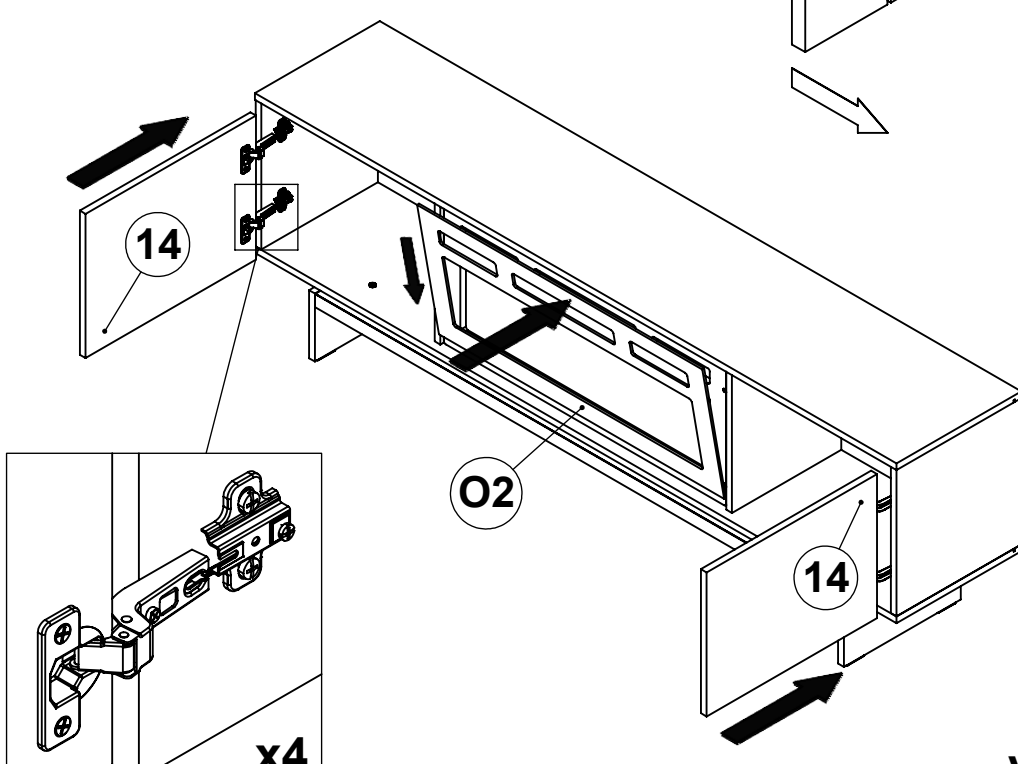
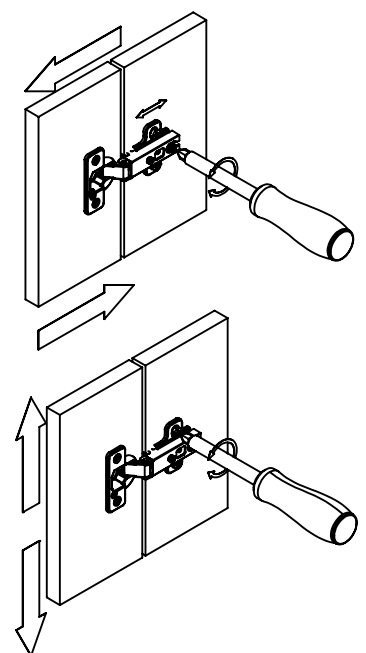
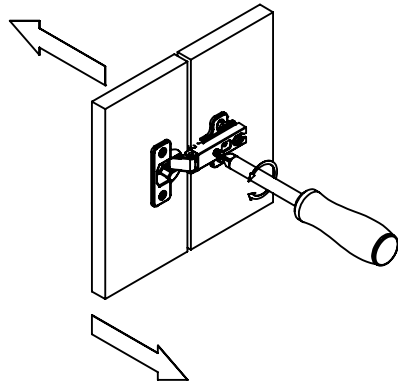
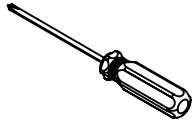
**O3**

**STEP - 13**

(OPTIONAL)

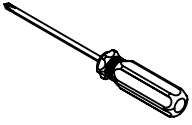


O2x1

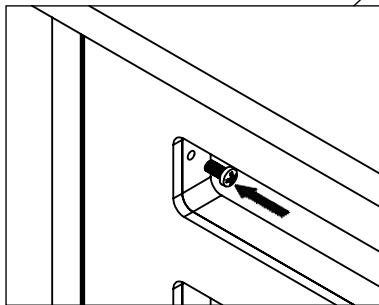


**VARIANT - 2 (OPTION)**

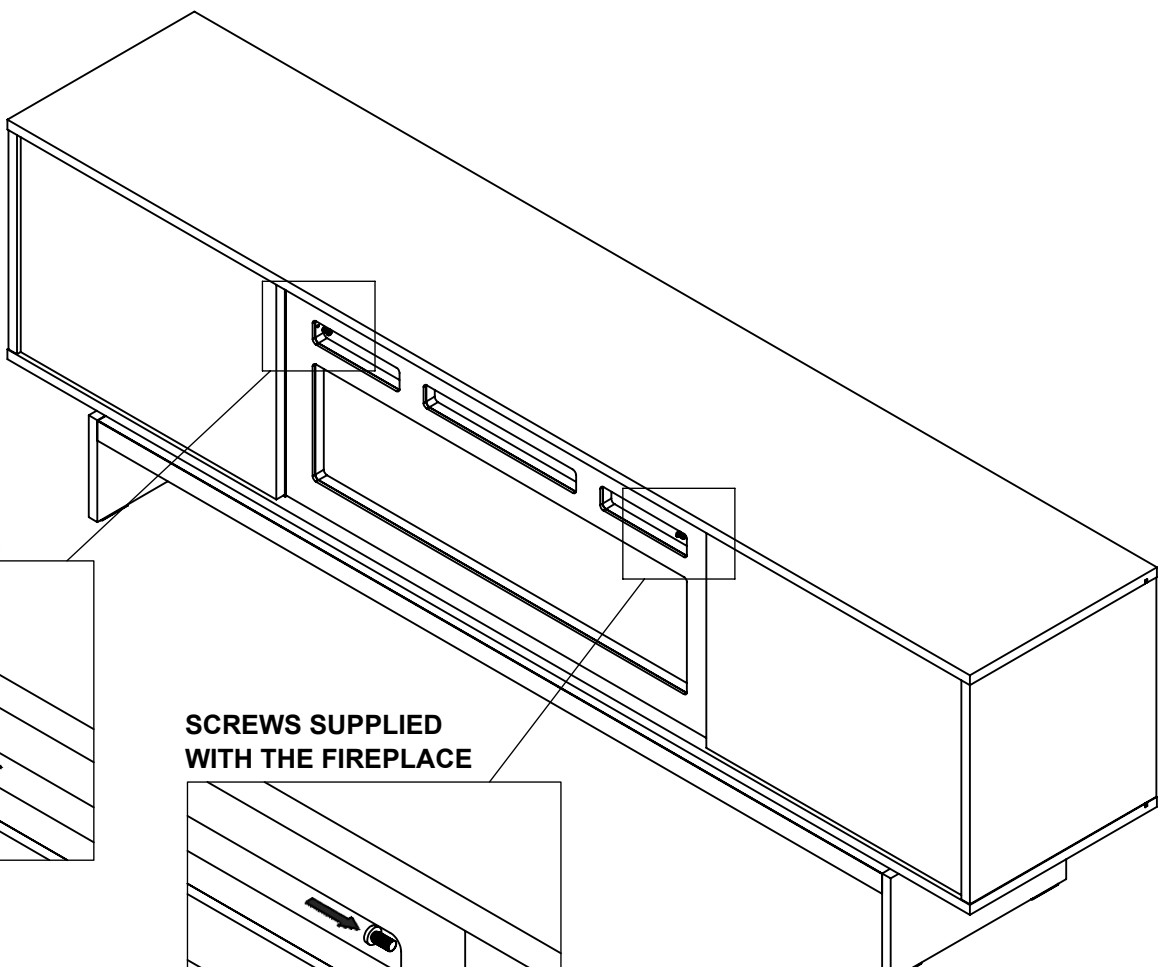
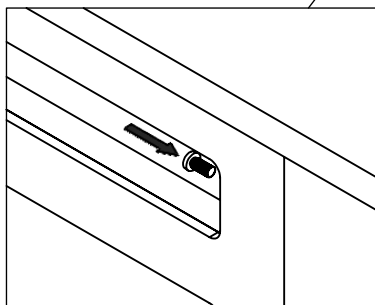
**STEP - 14**



**SCREWS SUPPLIED WITH THE FIREPLACE**

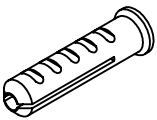
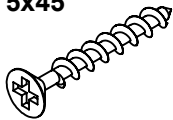


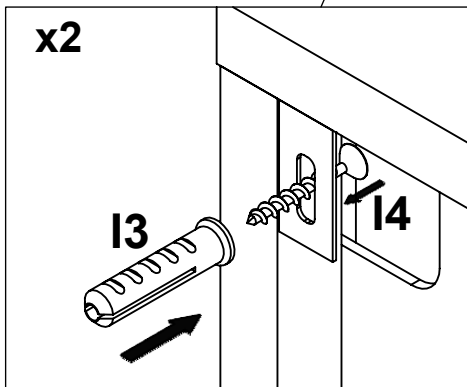
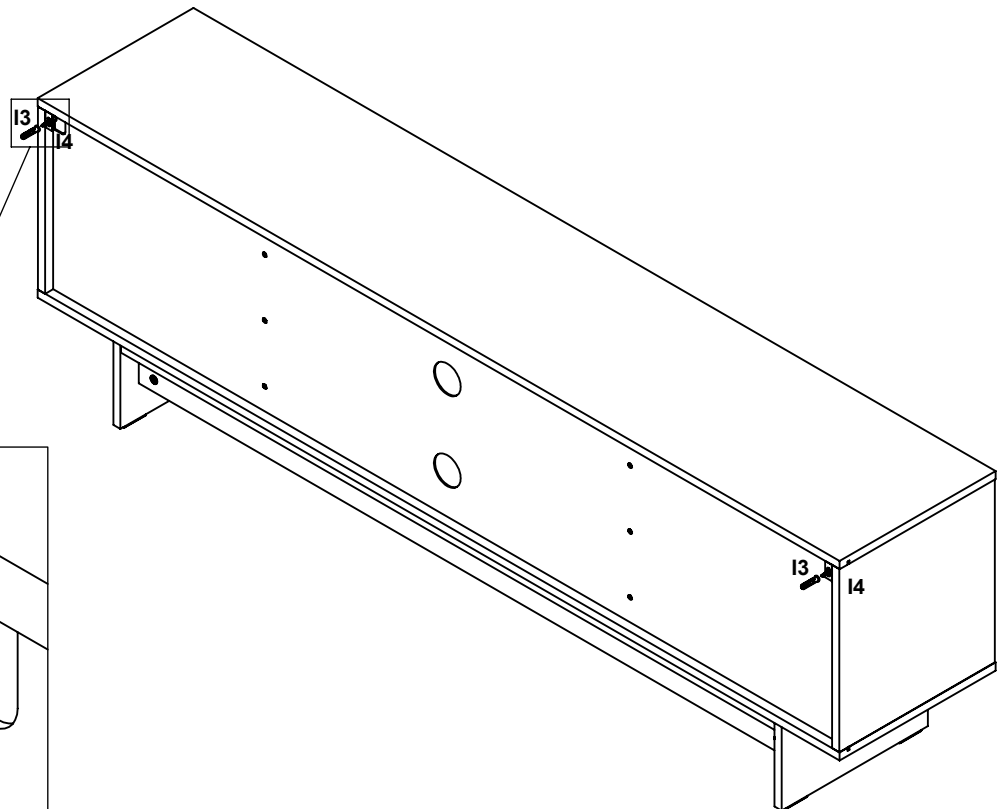
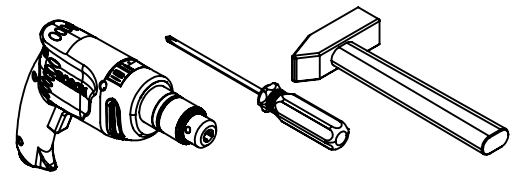
**SCREWS SUPPLIED WITH THE FIREPLACE**



**VARIANT - 2 (OPTION) 11 / 12**

# STEP - 15

	
13x2	14x2



VARIANT - 1 AND 2