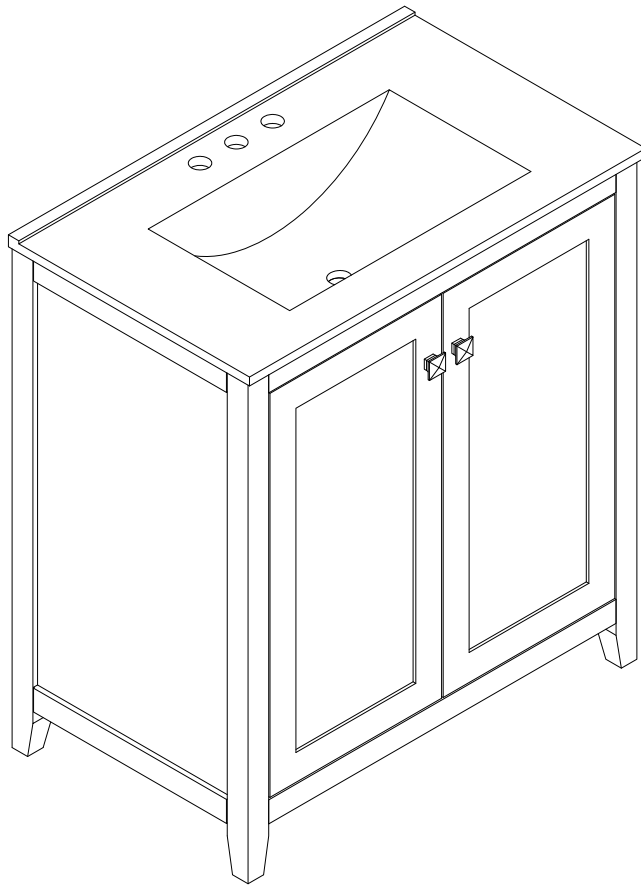
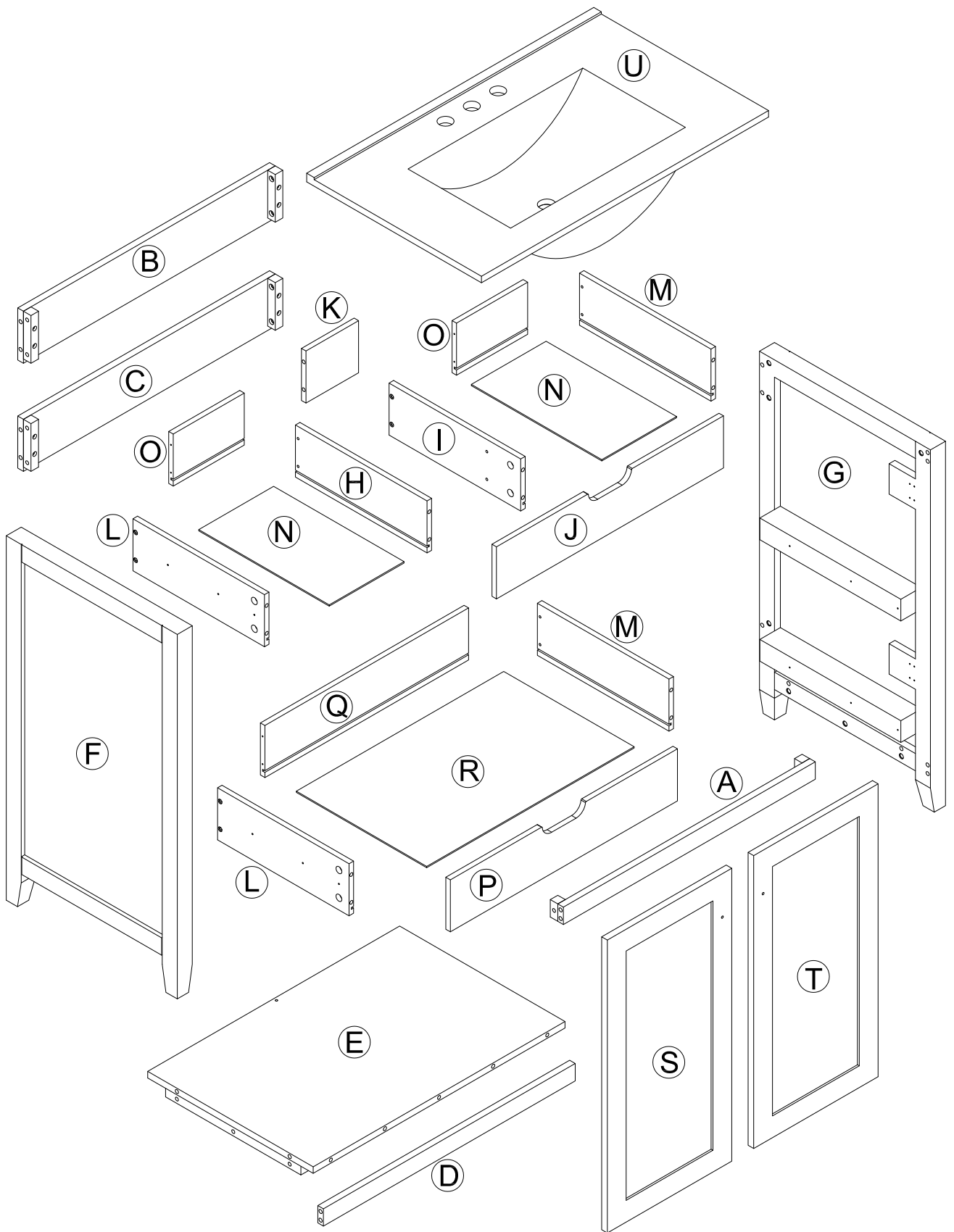
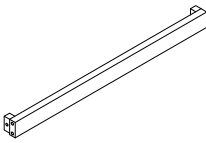
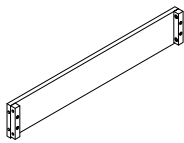
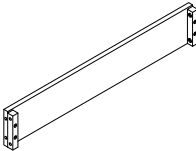
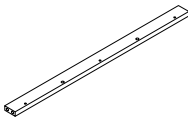
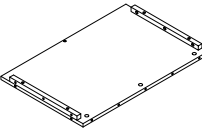
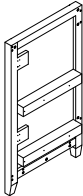
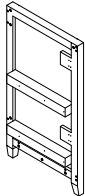
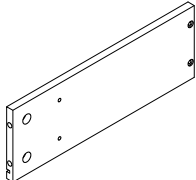
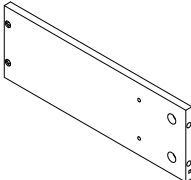
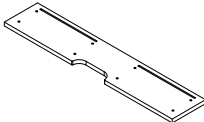
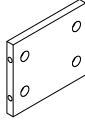
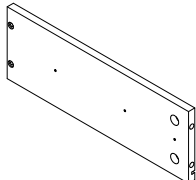
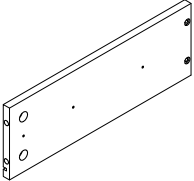
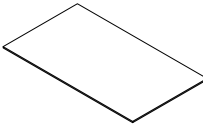
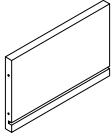
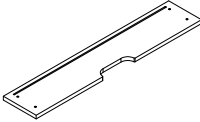
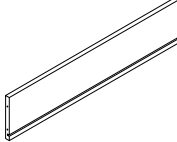
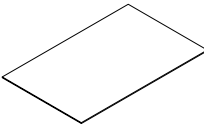

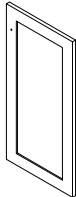
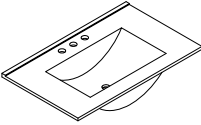


WF323089AAB

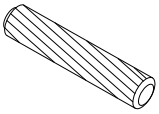
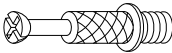
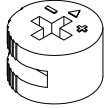
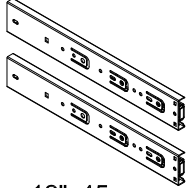

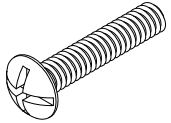
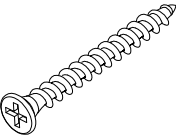
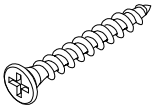

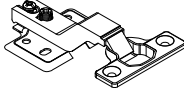
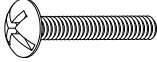
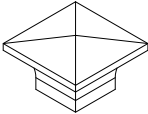




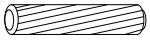
PRODUCT PARTS:

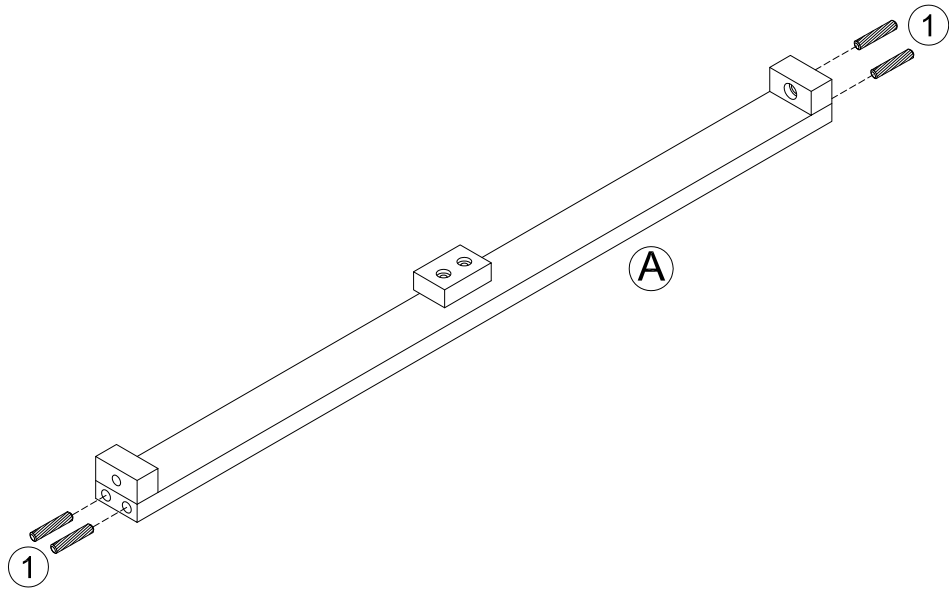
A	B	C	D	E	F
					
1PC	1PC	1PC	1PC	1PC	1PC
G	H	I	J	K	L
					
1PC	1PC	1PC	1PC	1PC	2PCS
M	N	O	P	Q	R
					
2PCS	2PCS	2PCS	1PC	1PC	1PC
S	T	U			
					
1PC	1PC	1PC			

HARDWARE:


①	②	③	④	⑤	⑥
					
Ø8x30mm	Ø6x33mm	Ø15x9mm	12"x45mm	Ø3x10mm	1/4"x25mm
22+2 PCS	19+1PCS	19+1PCS	2 SET	24+2 PCS	16+1 PCS
⑦	⑧	⑨	⑩	⑪	⑫
					
Ø4x35mm	Ø4x25mm	Ø4x12mm		5/32"x18mm	
1 PC	12+1PCS	24+2PCS	4PCS	2PCS	2PCS

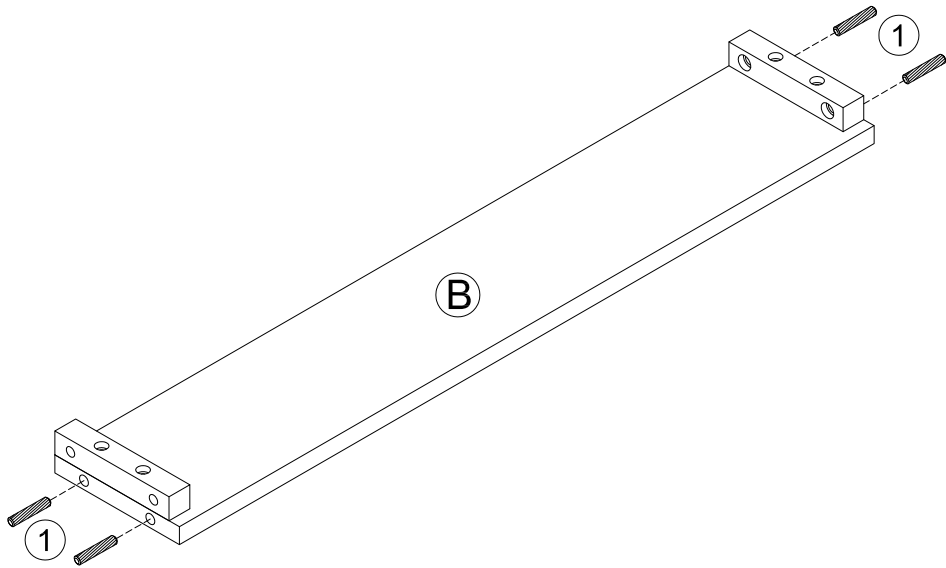
STEP 1

①  4pcs
Ø8x30mm

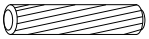


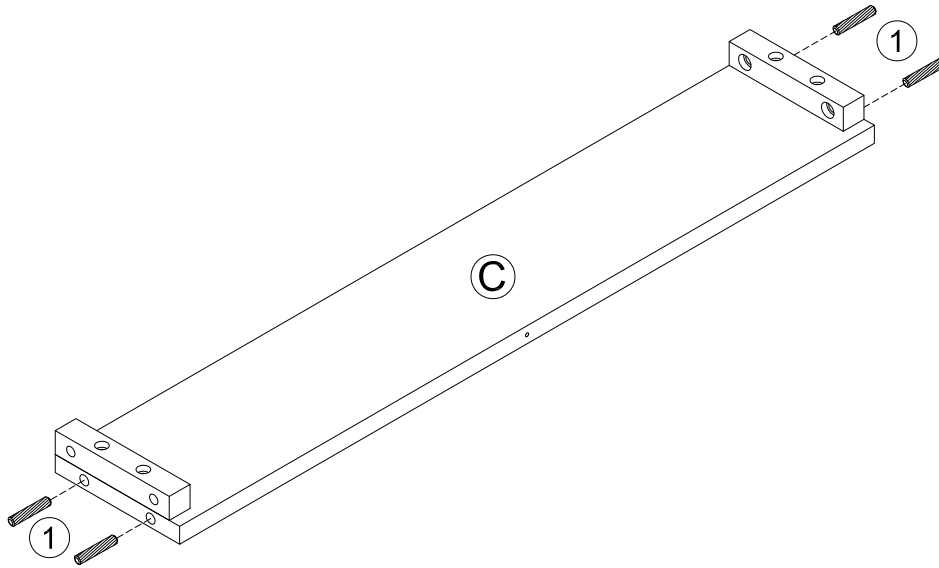
STEP 2

①  4pcs
Ø8x30mm





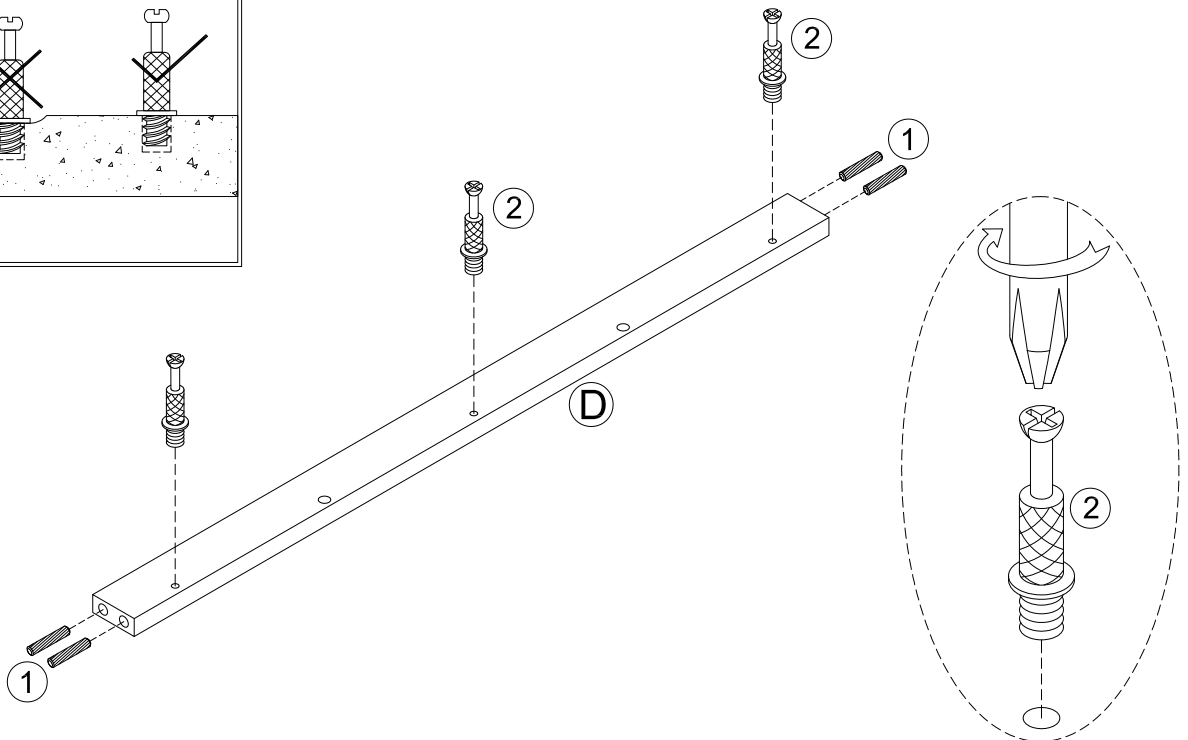
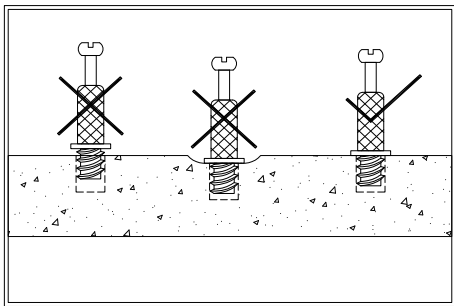
STEP 3

- ①  4pcs
Ø8x30mm

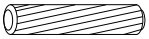


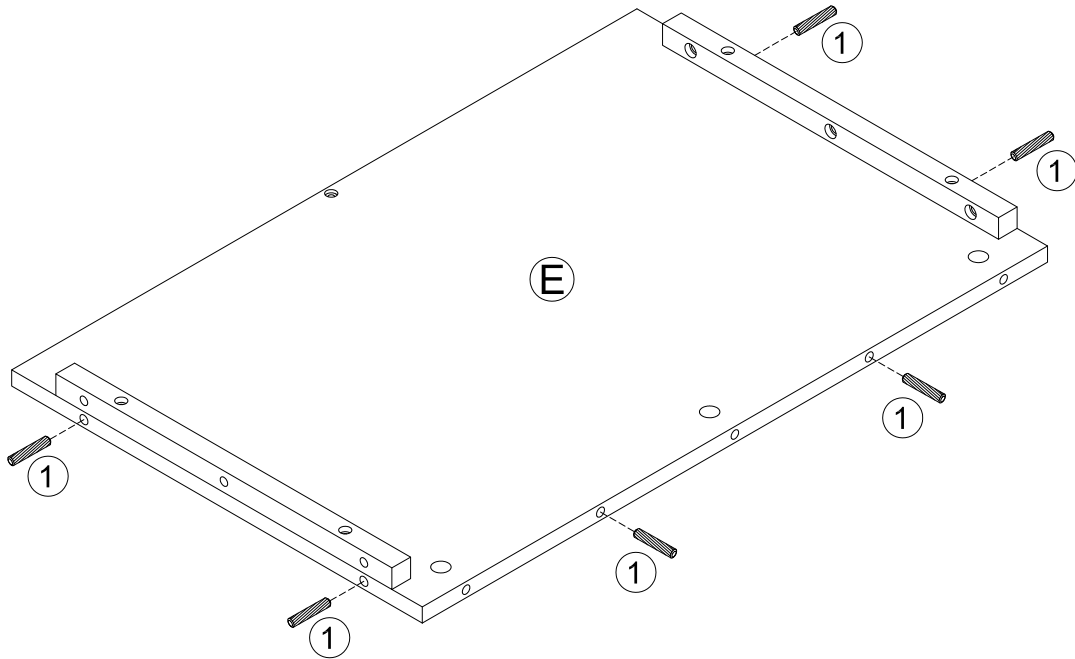
STEP 4

- ①  4pcs
Ø8x30mm
- ②  3pcs
Ø6x33mm



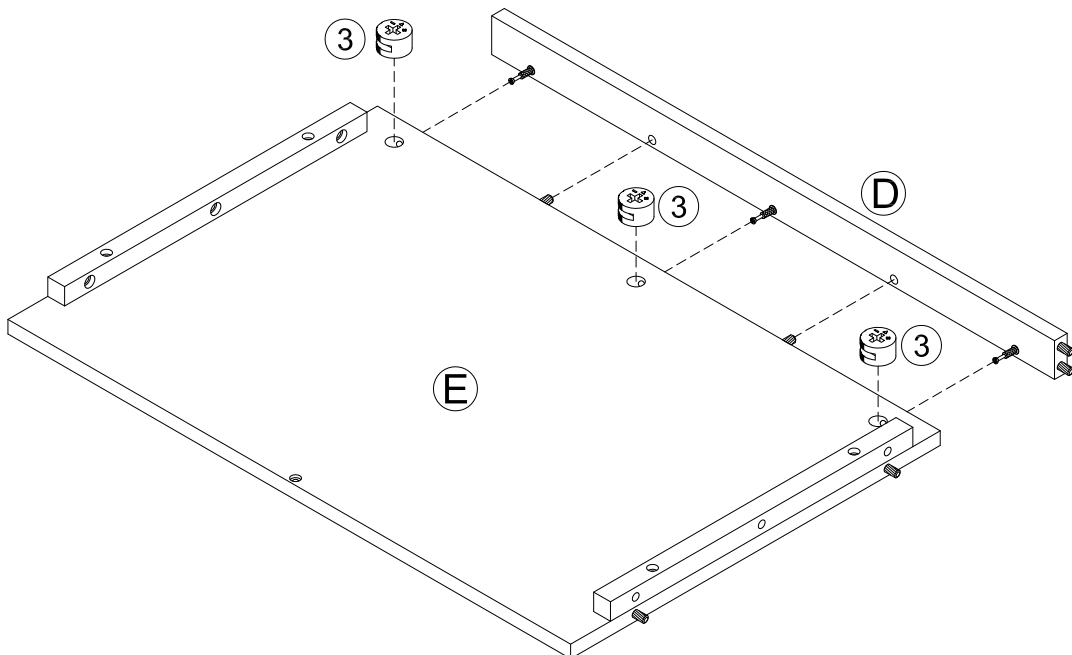
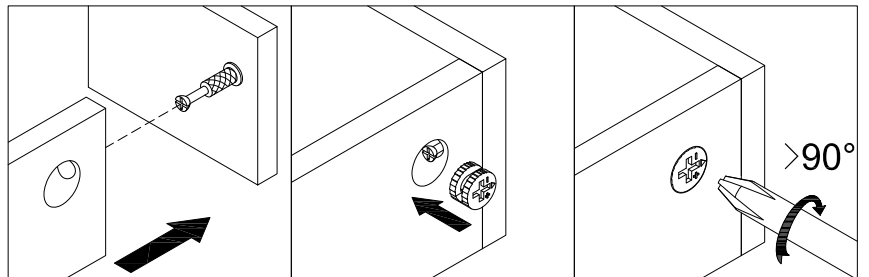
STEP 5

- ①  6pcs
Ø8x30mm




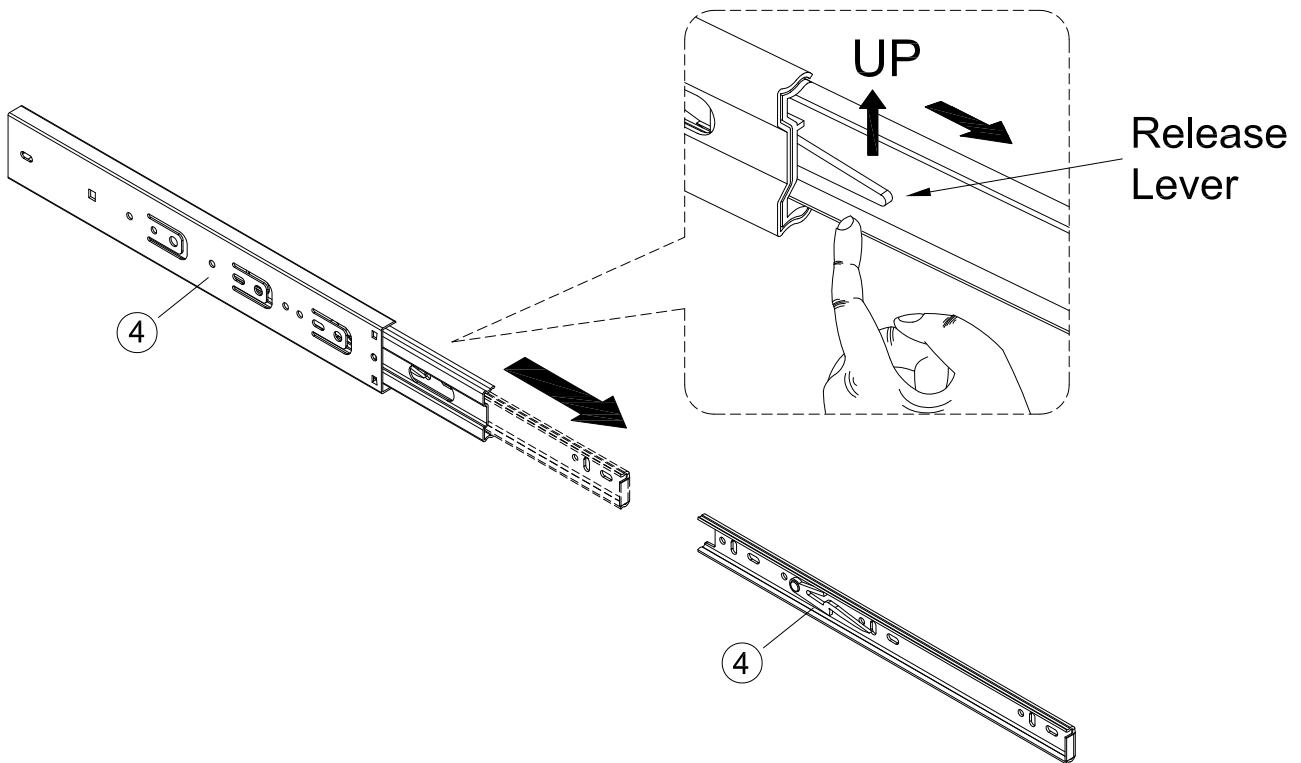
STEP 6

- ③  3pcs
Ø15x9mm

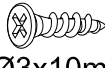
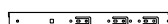


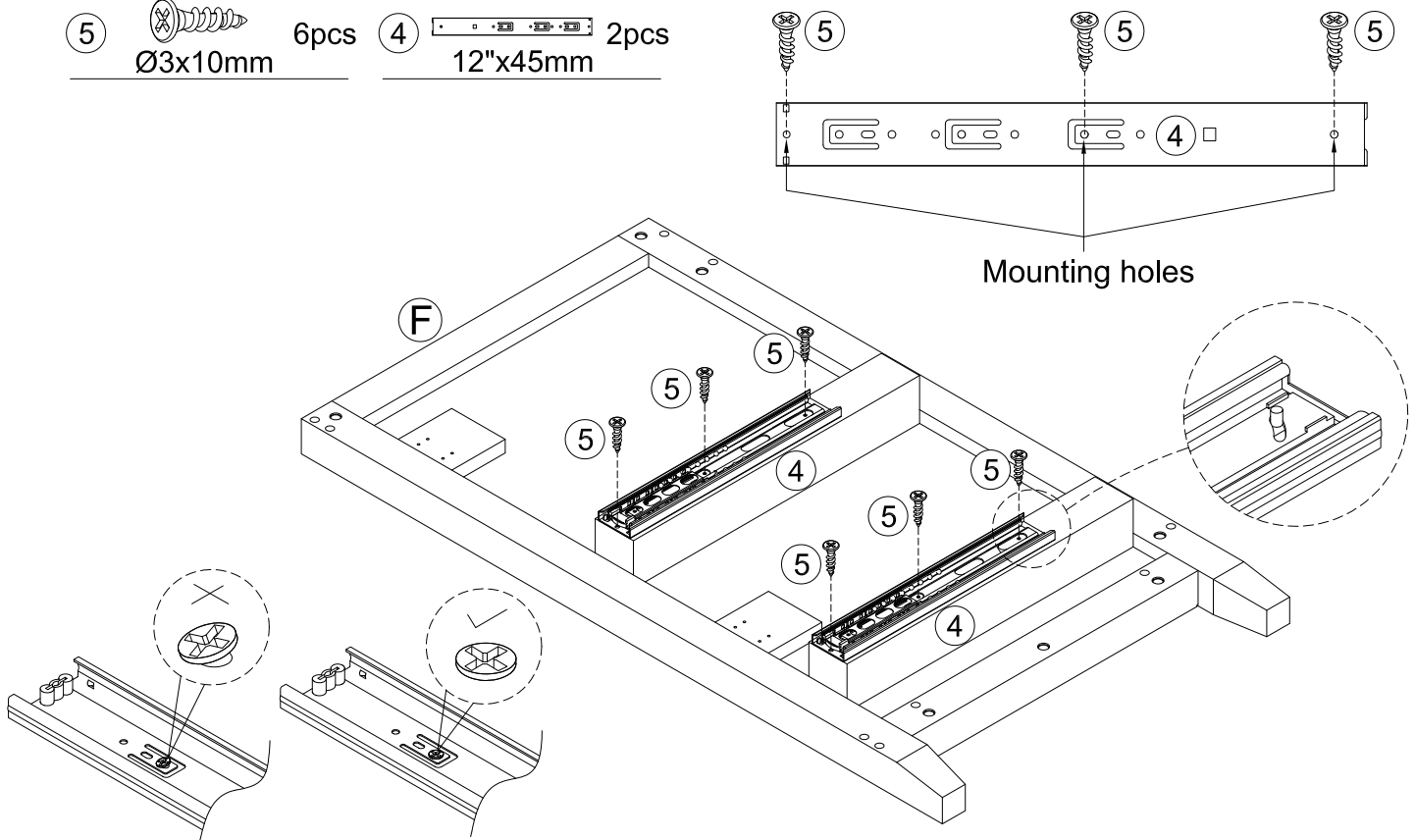
STEP 7

- ④  1SET
12"x45mm



STEP 8

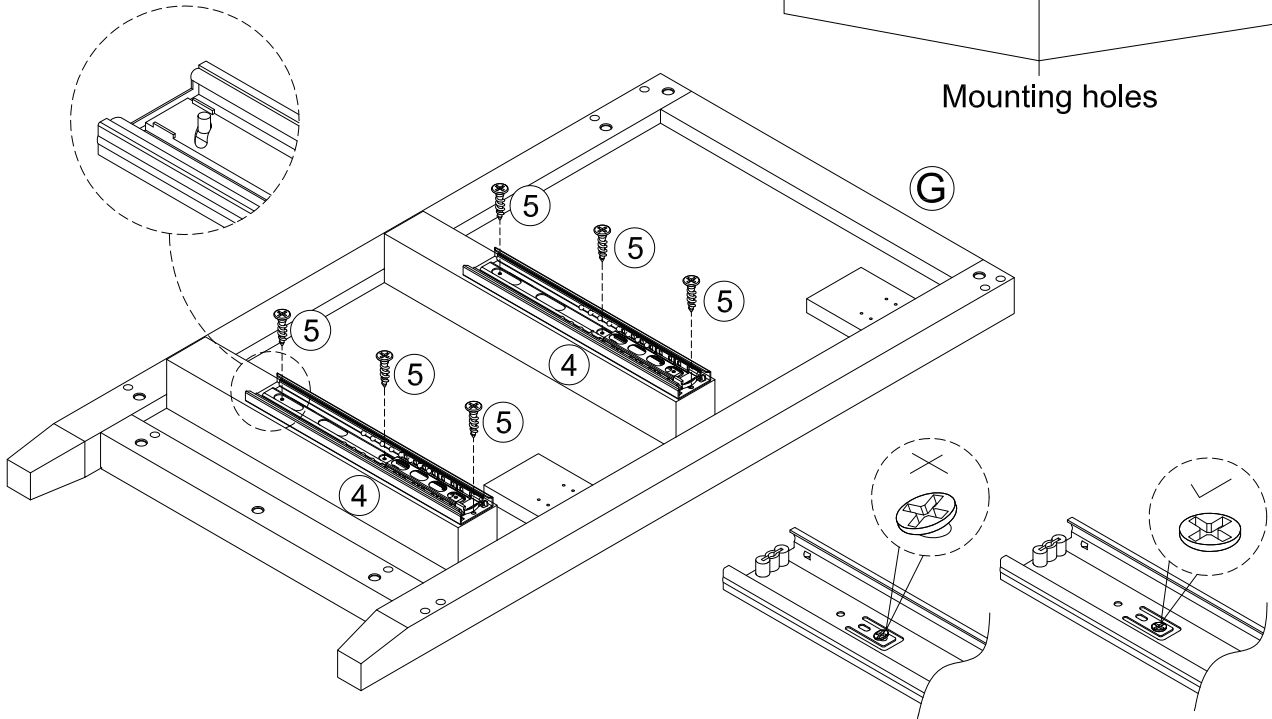
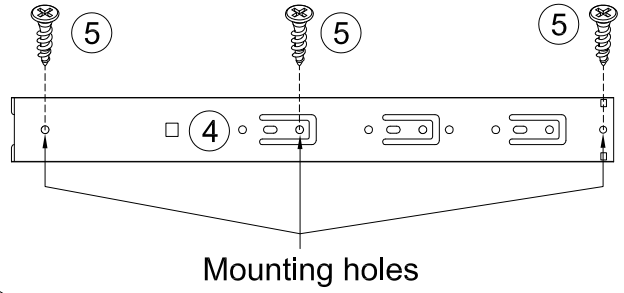
- ⑤  6pcs $\text{Ø}3 \times 10\text{mm}$ ④  2pcs
12"x45mm



Please make sure that the screw is VERTICAL
so as not to affect the sliding of the drawer.



STEP 9

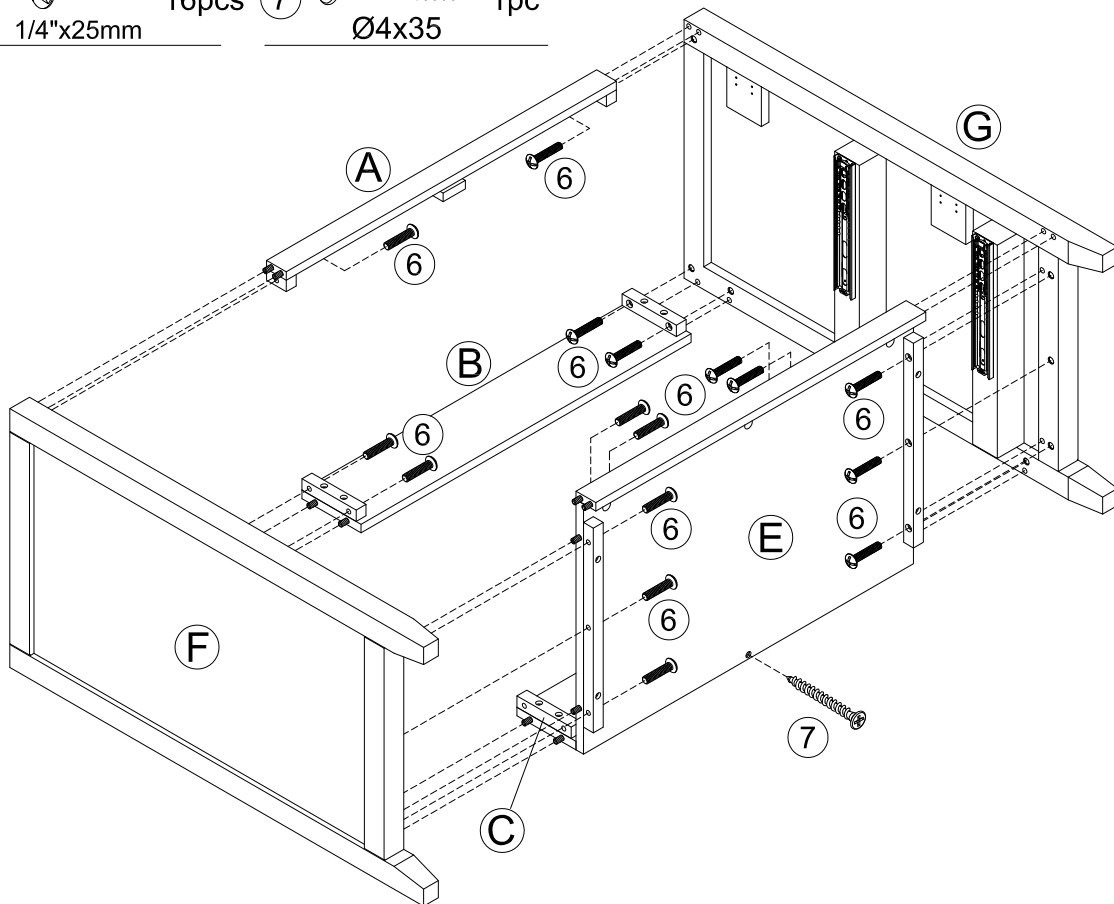
- ⑤  6pcs Ø3x10mm
- ④  2pcs 12"x45mm




Please make sure that the screw is VERTICAL so as not to affect the sliding of the drawer.

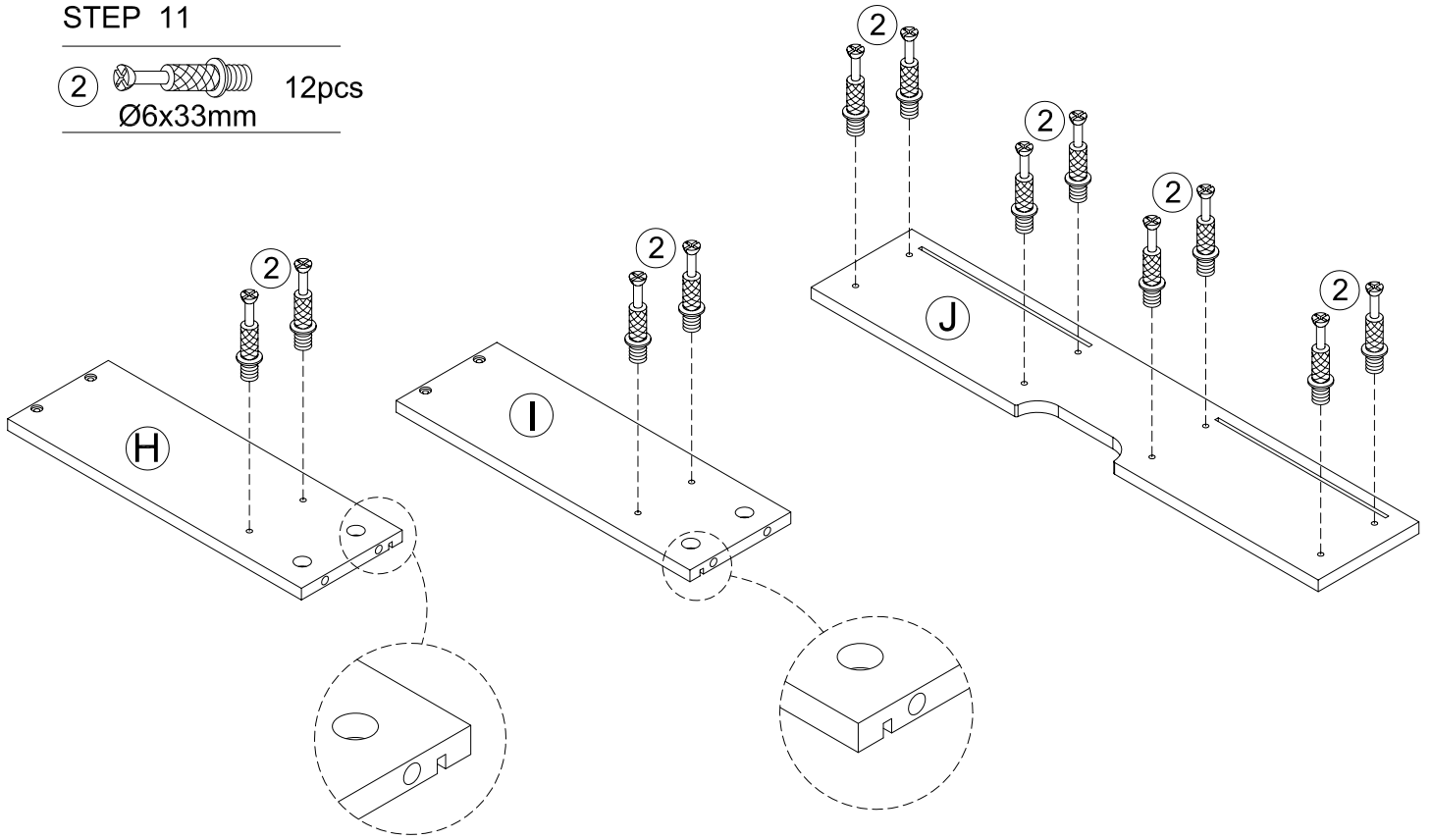
STEP 10

- ⑥  16pcs 1/4"x25mm
- ⑦  1pc Ø4x35



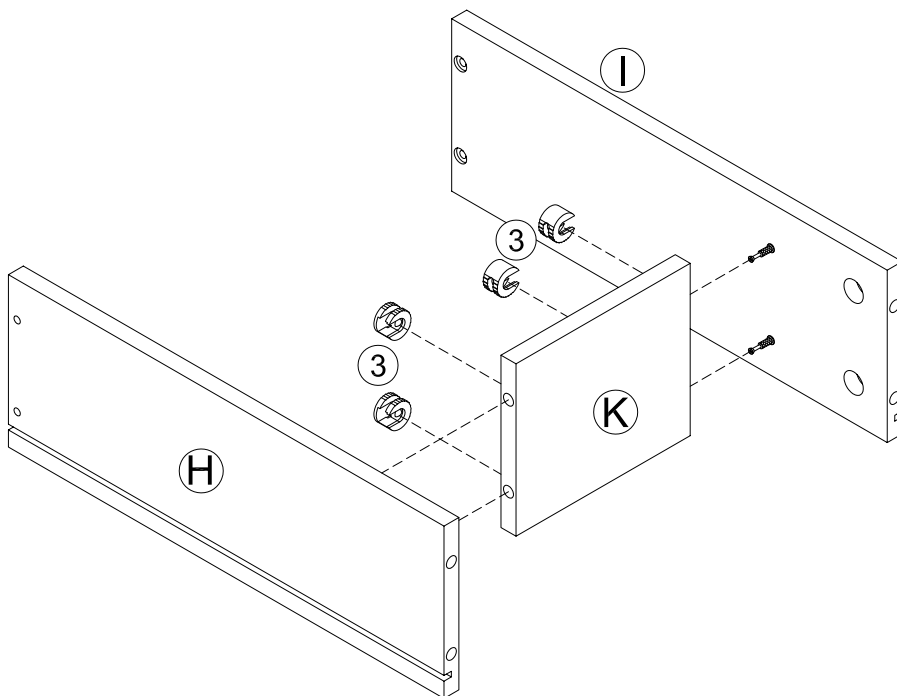
STEP 11

②  12pcs
Ø6x33mm



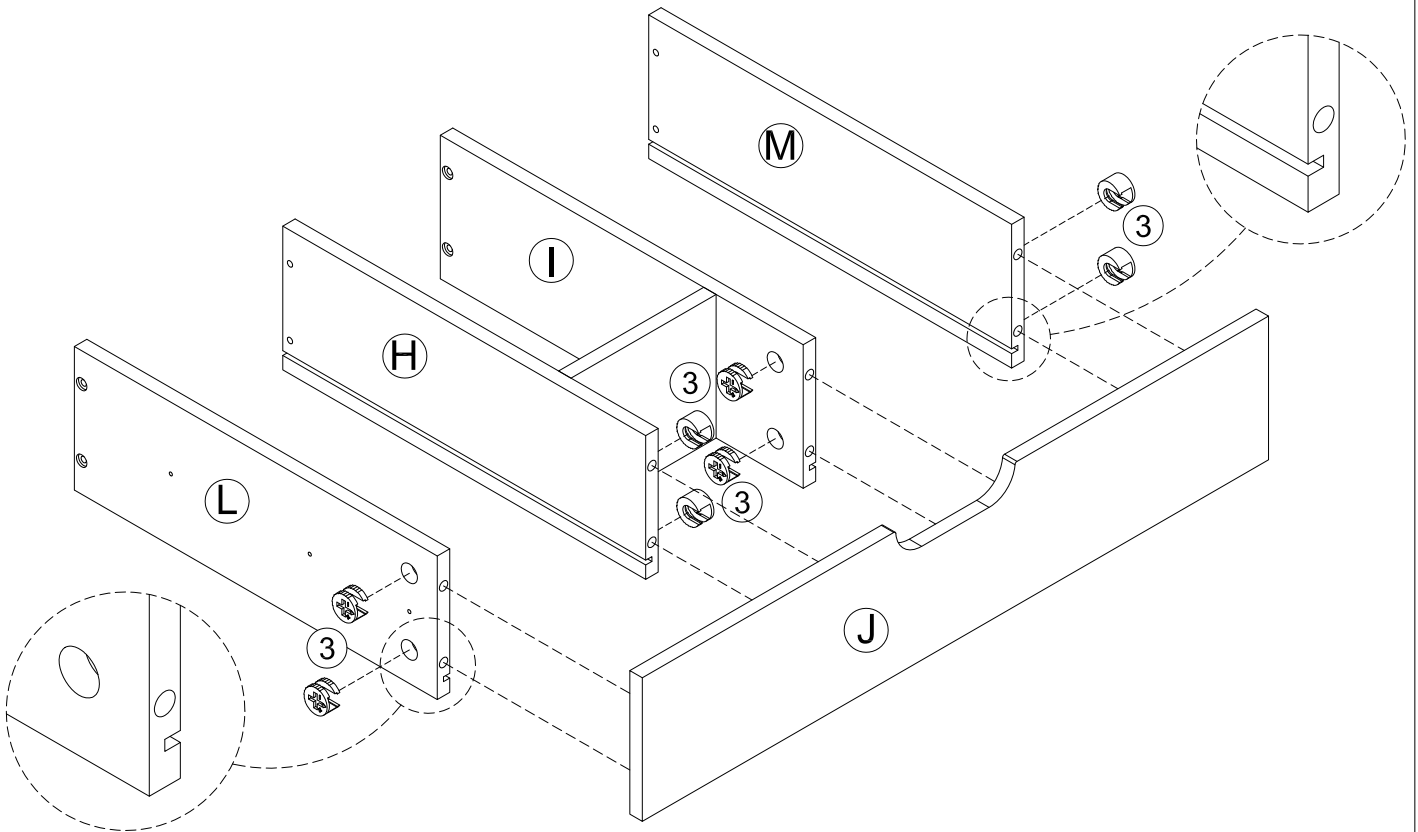
STEP 12

③  4pcs
Ø15x9mm

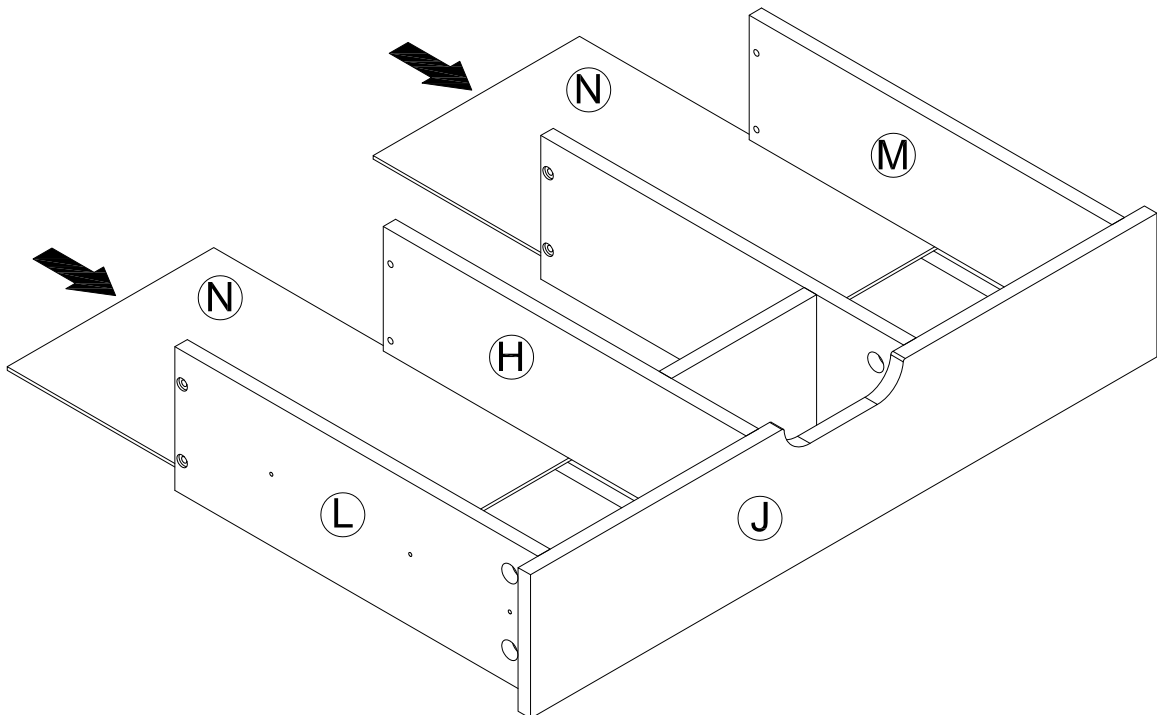


STEP 13


③  8pcs
Ø15x9mm

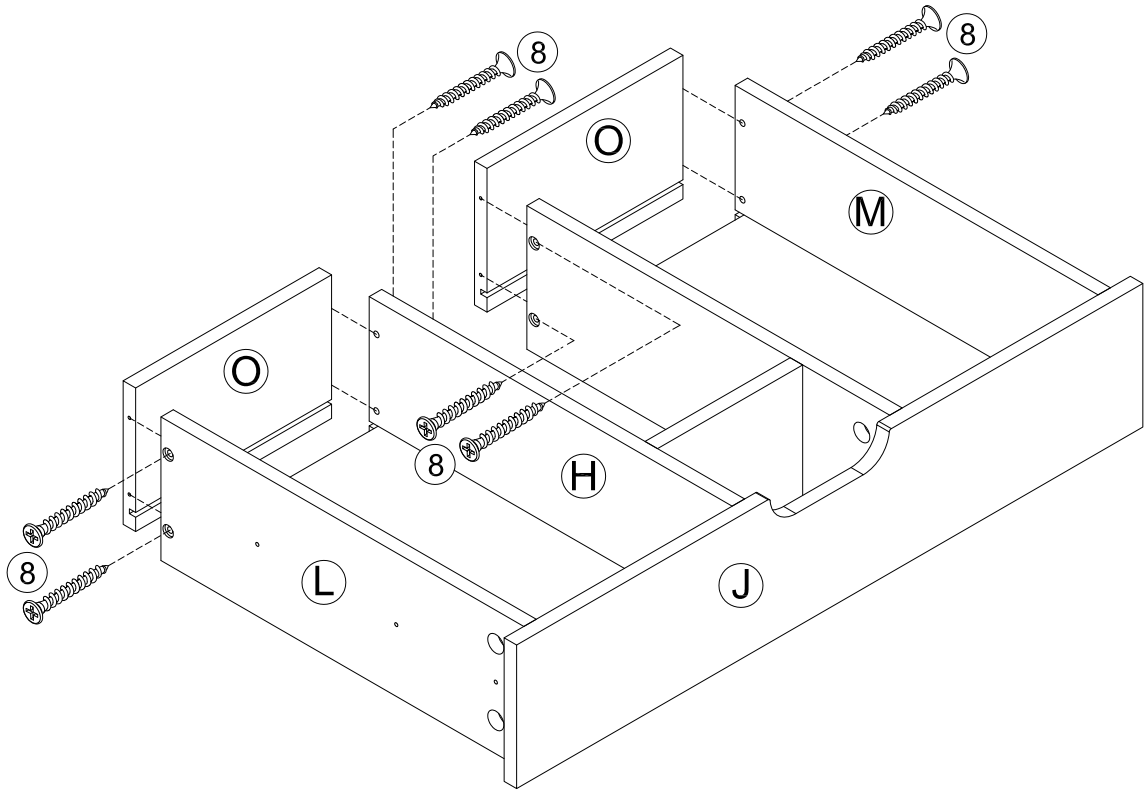


STEP 14





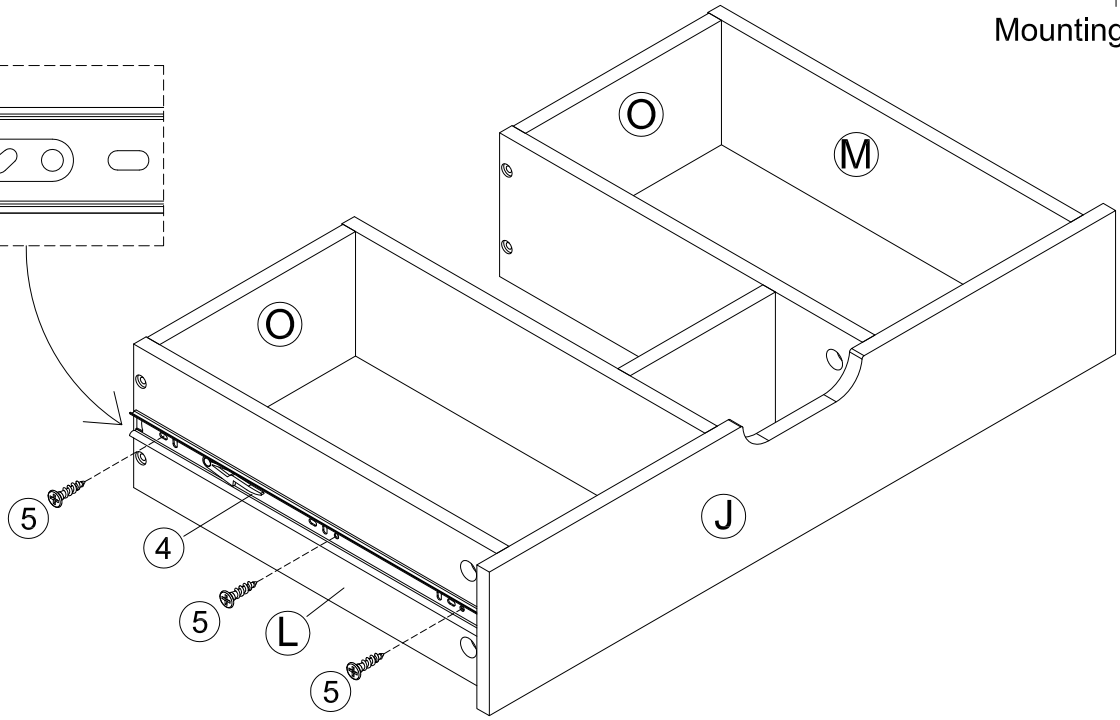
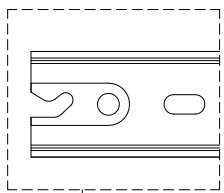
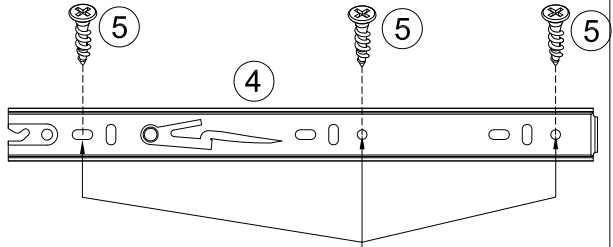
STEP 15

- ⑧  8pcs
Ø4x25



STEP 16

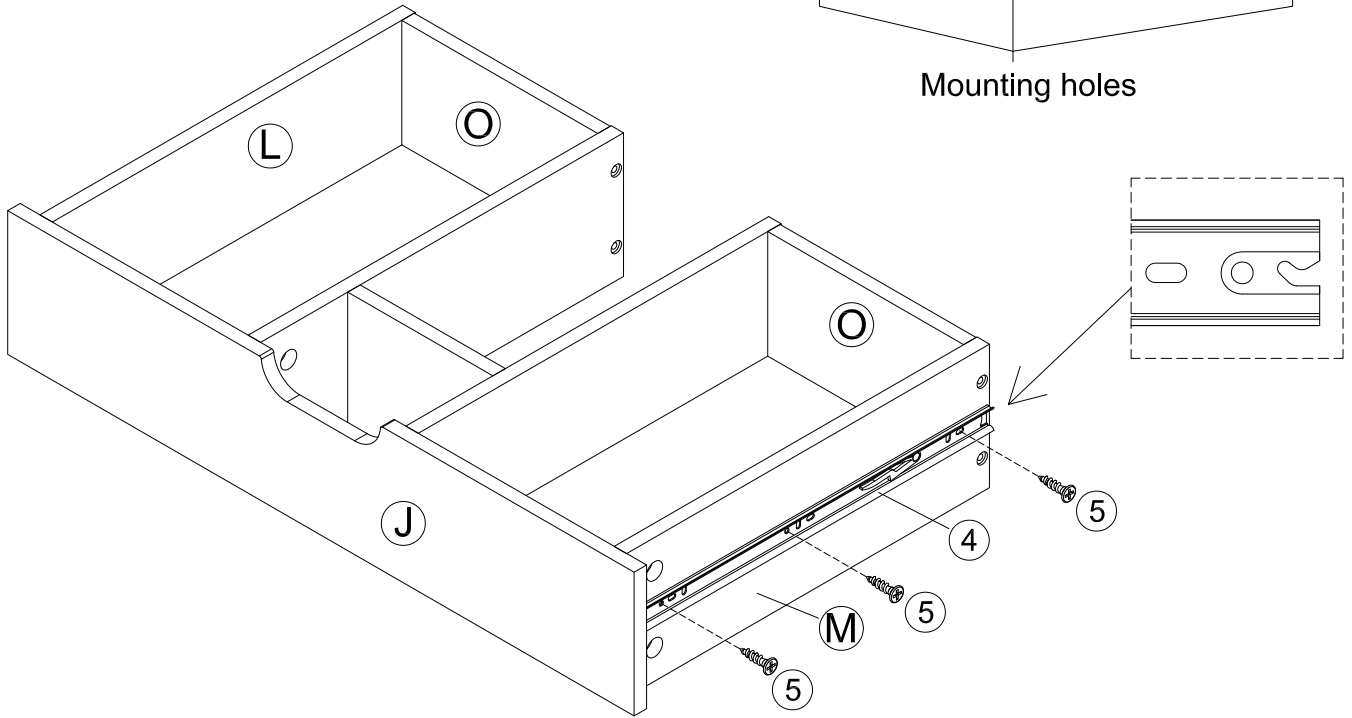
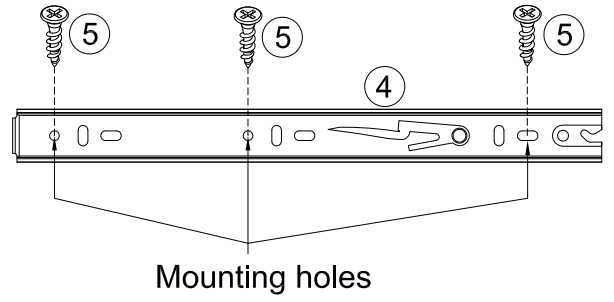
- ④  1pc
12"x45mm
- ⑤  3pcs
Ø3x10mm




STEP 17

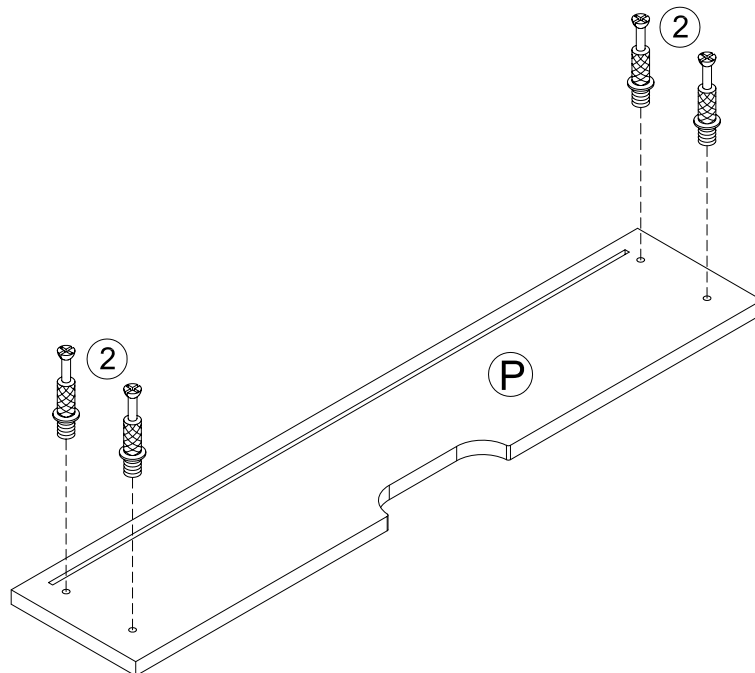
④  1pc
12"x45mm

⑤  3pcs
Ø3x10mm




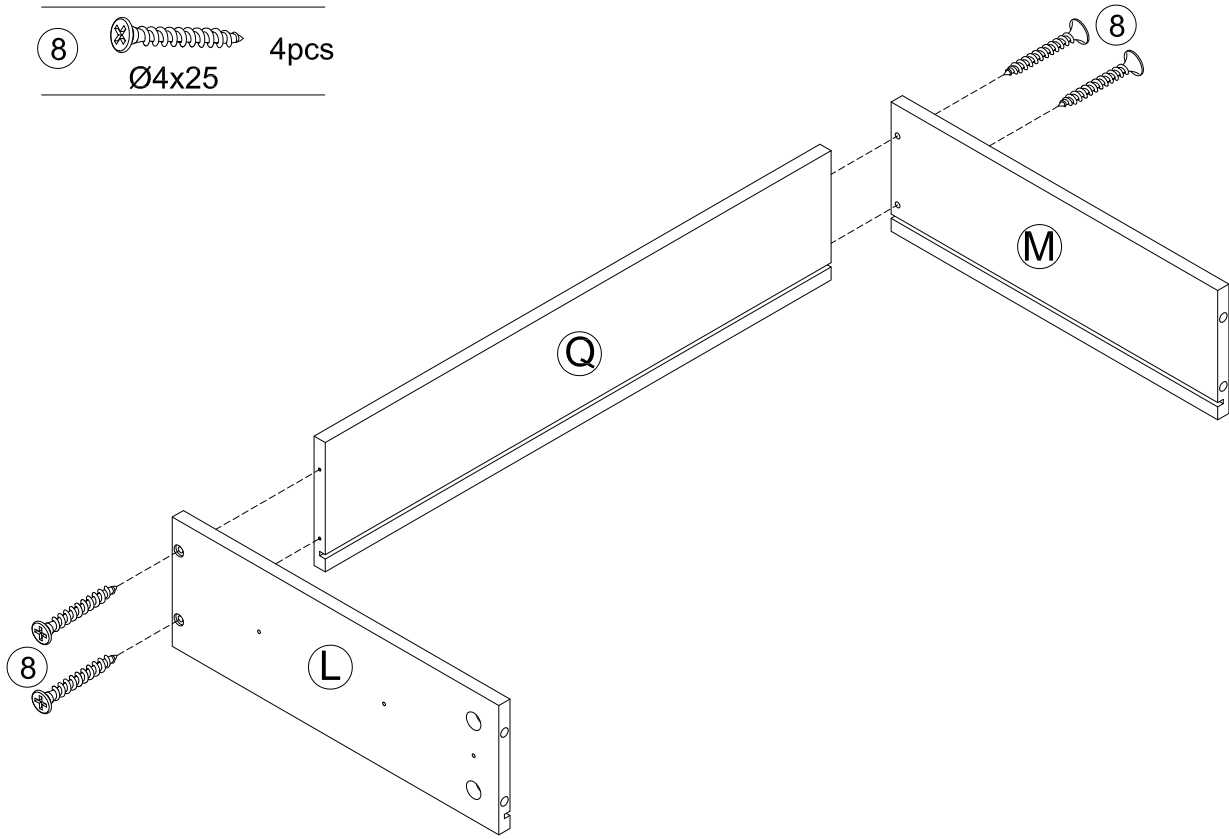
STEP 18

②  4pcs
Ø6x33mm

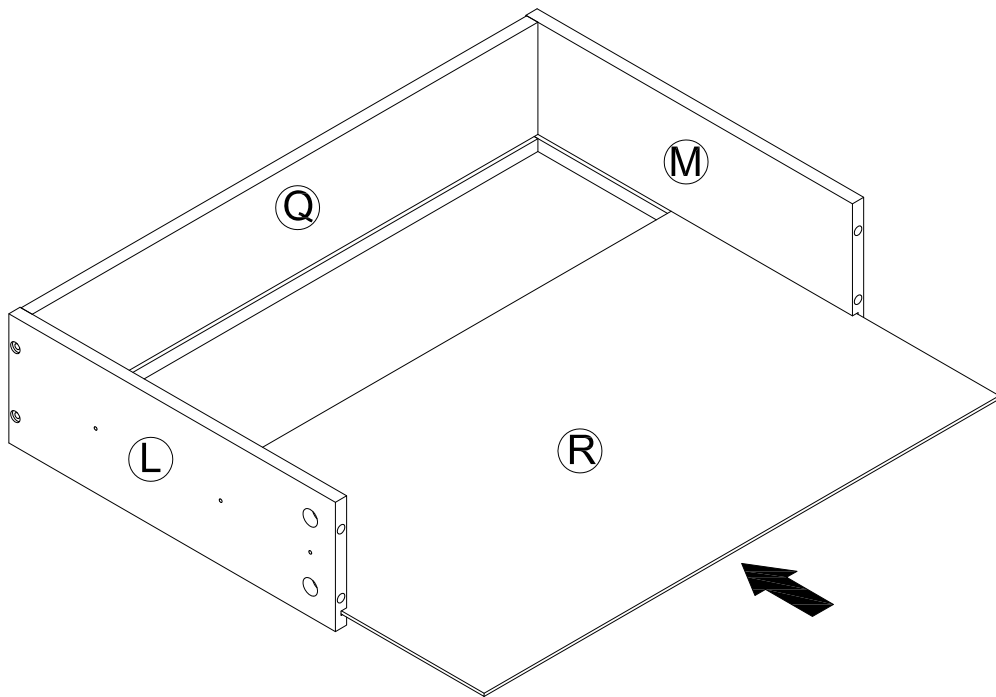


STEP 19

⑧  4pcs
Ø4x25

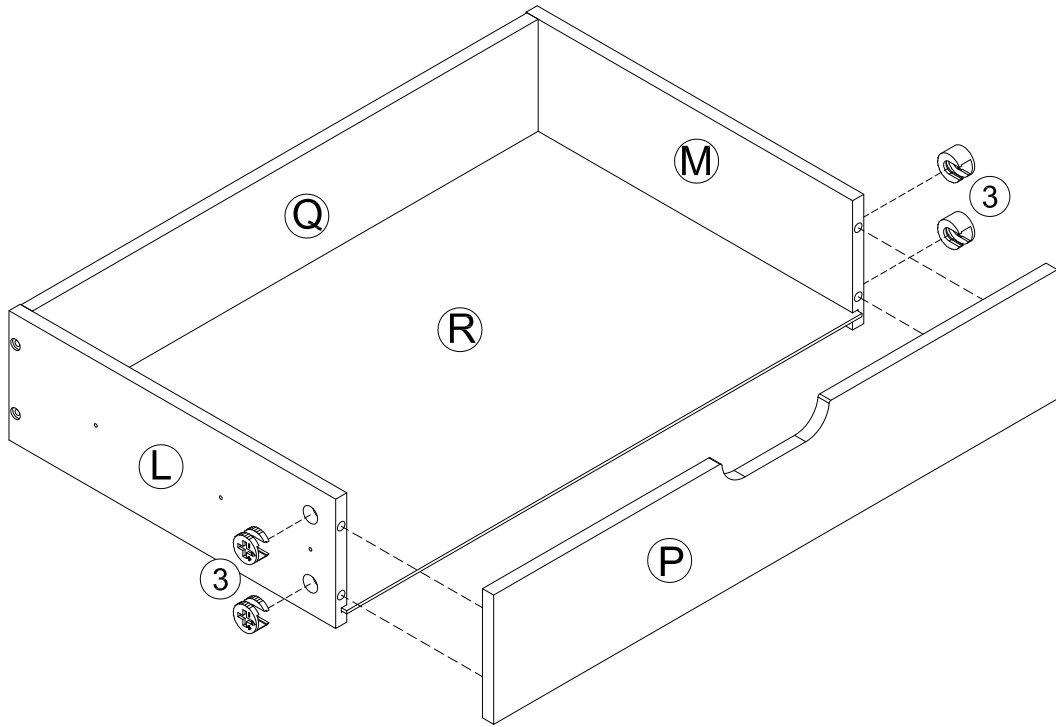


STEP 20


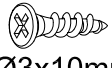


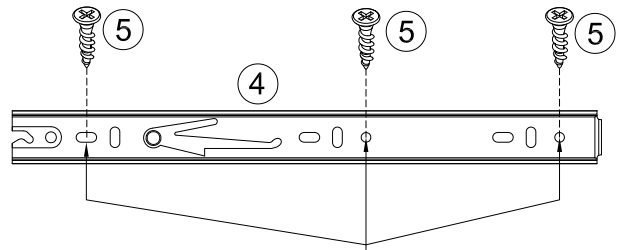
STEP 21

- ③  4pcs
Ø15x9mm

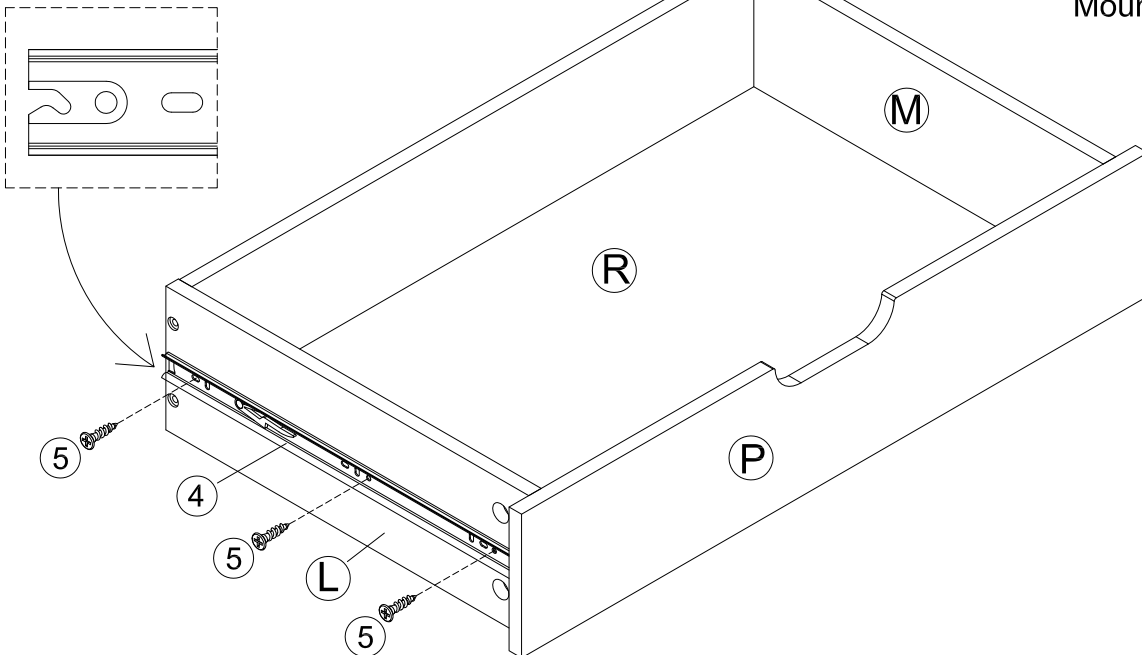


STEP 22

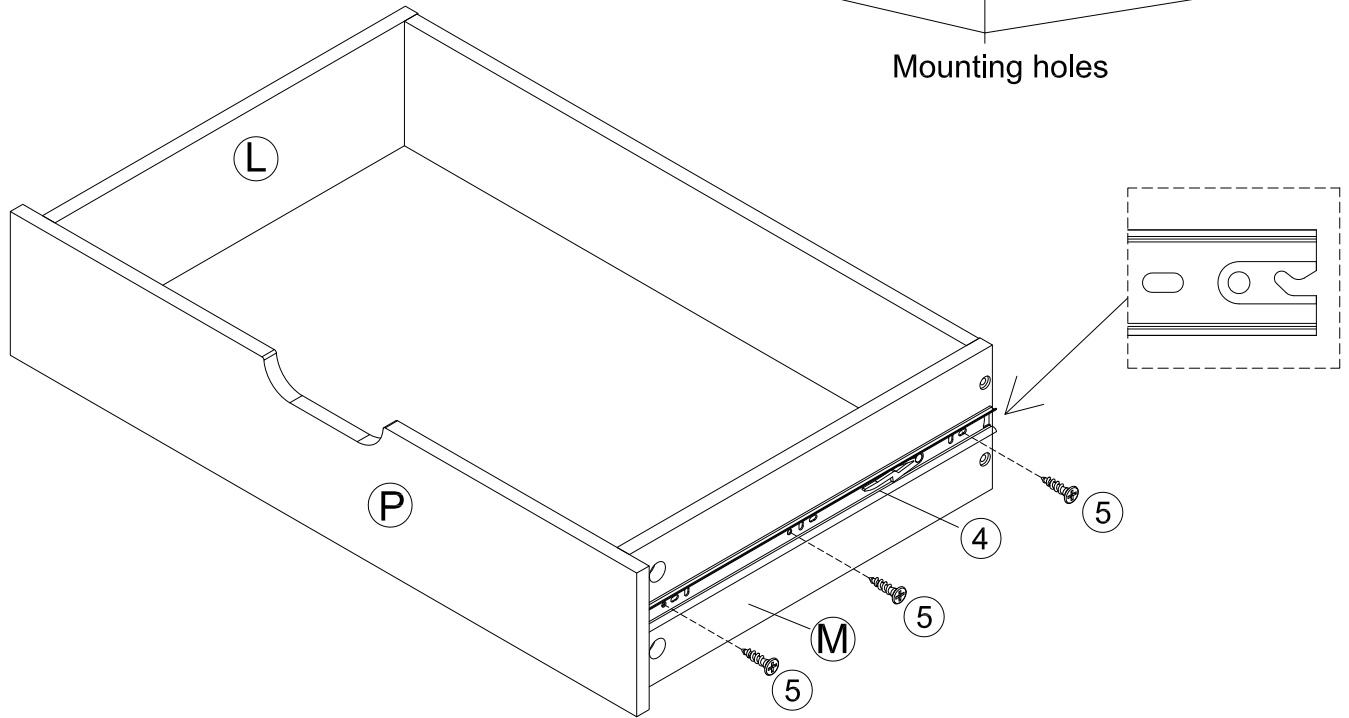
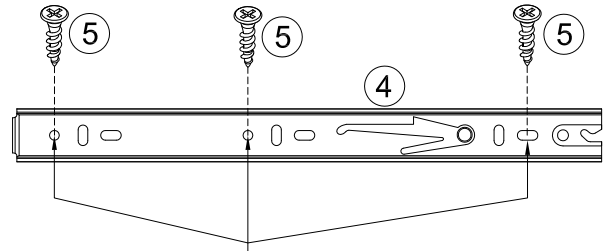
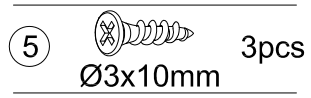
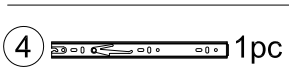
- ④  1pc ⑤  3pcs
Ø3x10mm



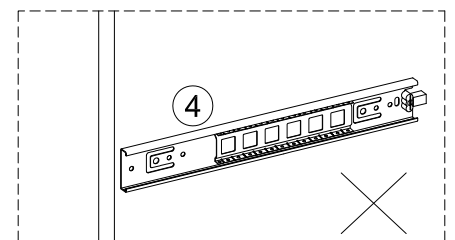
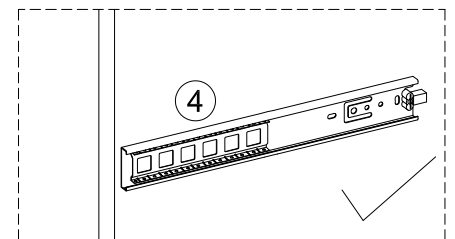
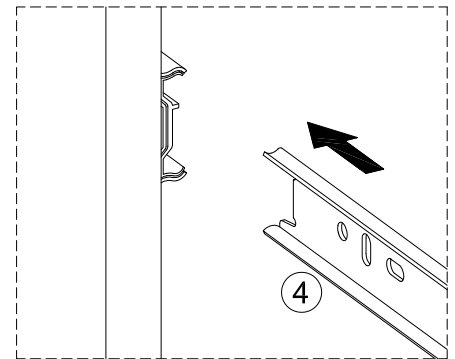
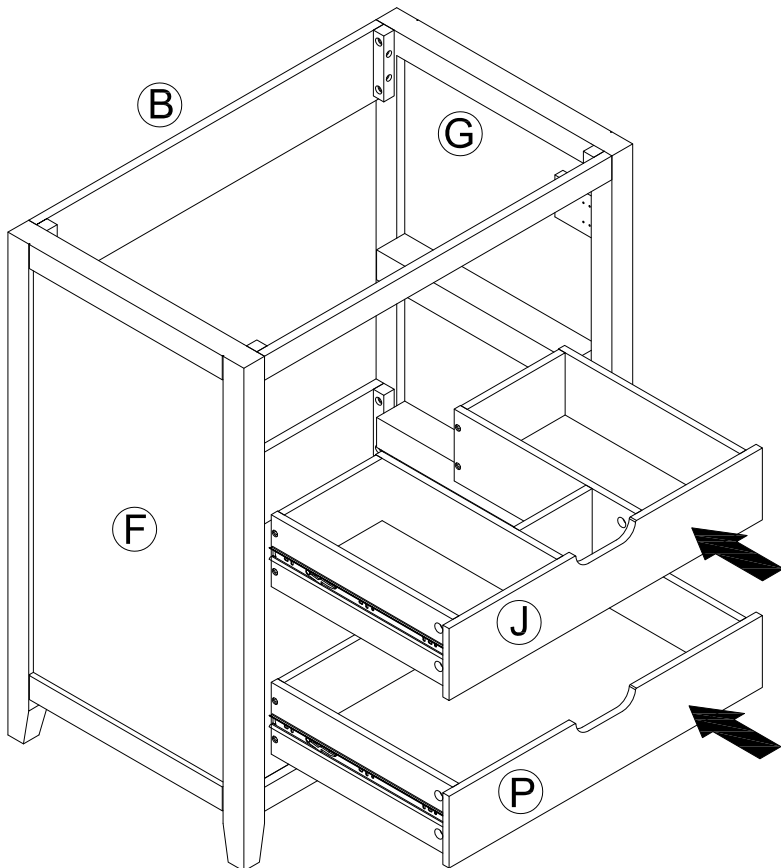
Mounting holes



STEP 23

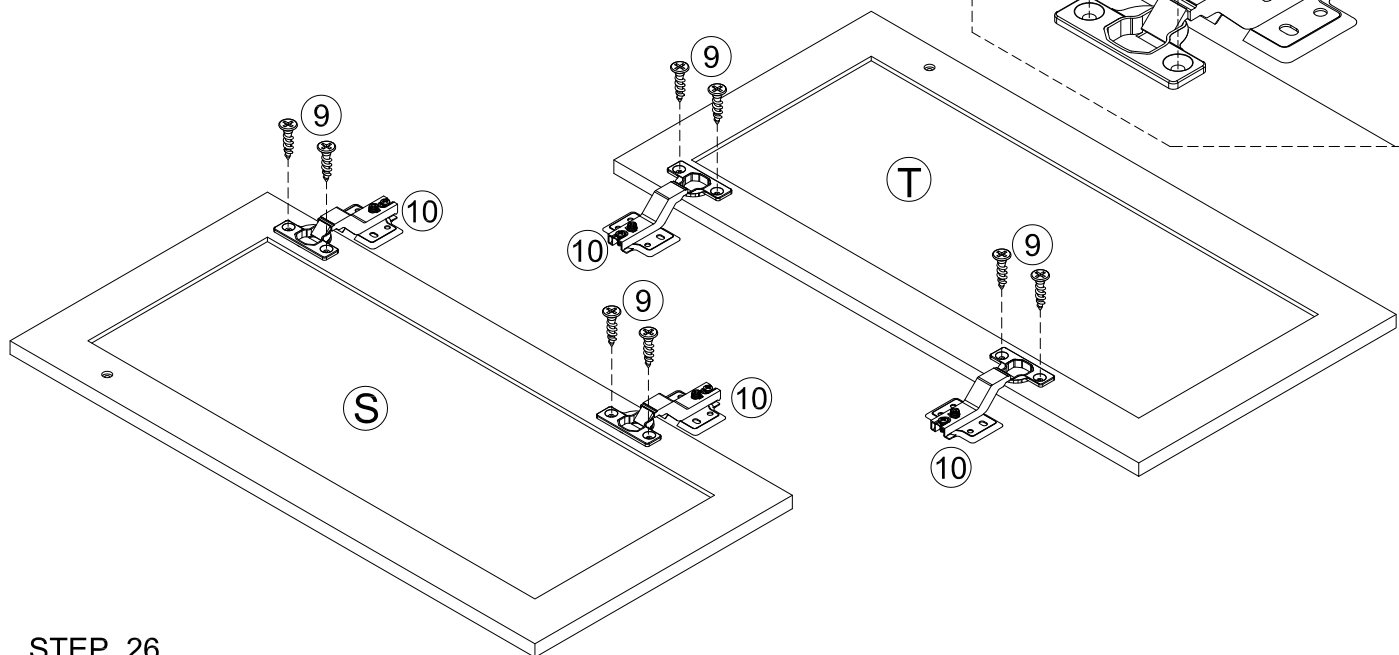


STEP 24



STEP 25

-  8pcs
 9 Ø4x12mm
-  4pcs
 10

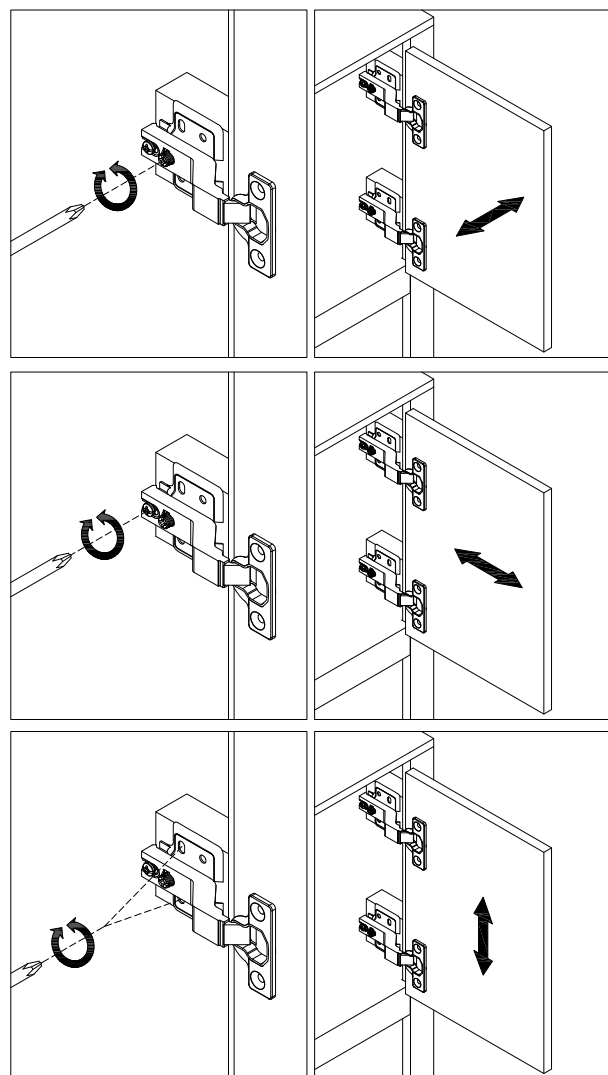
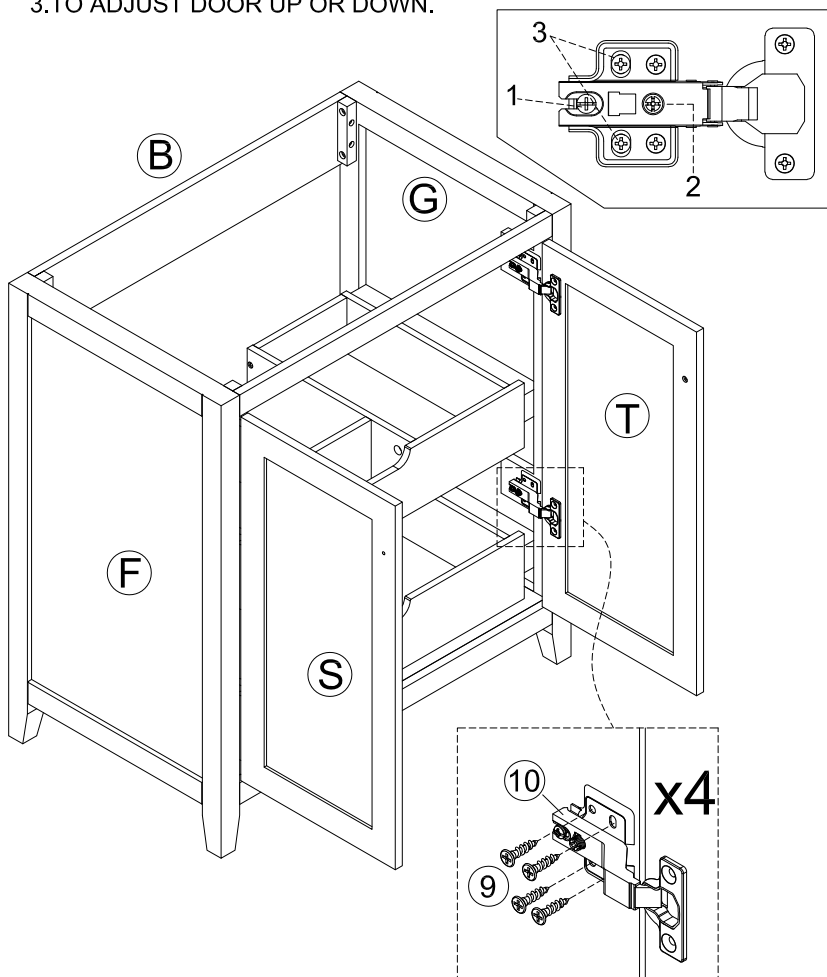


STEP 26

-  16pcs
 9 Ø4x12mm

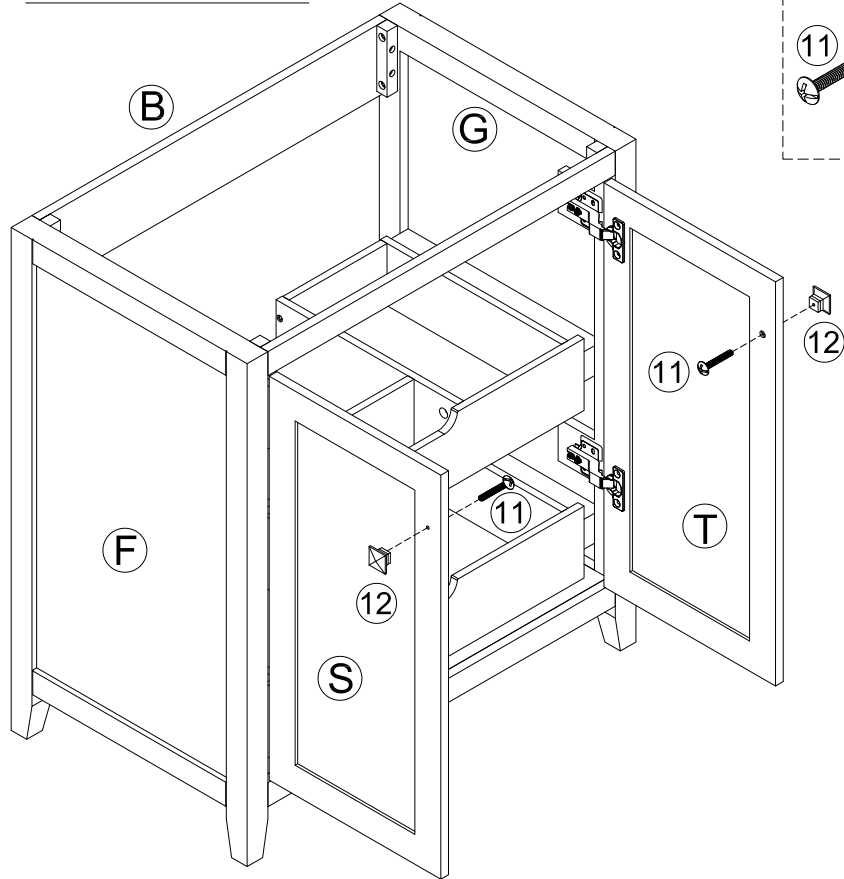
Three-way adjustable hinge for perfectly aligned doors

1. TO ADJUST DOOR FORWARD OR BACKWARD.
2. TO ADJUST DOOR TO RIGHT OR TO LEFT.
3. TO ADJUST DOOR UP OR DOWN.

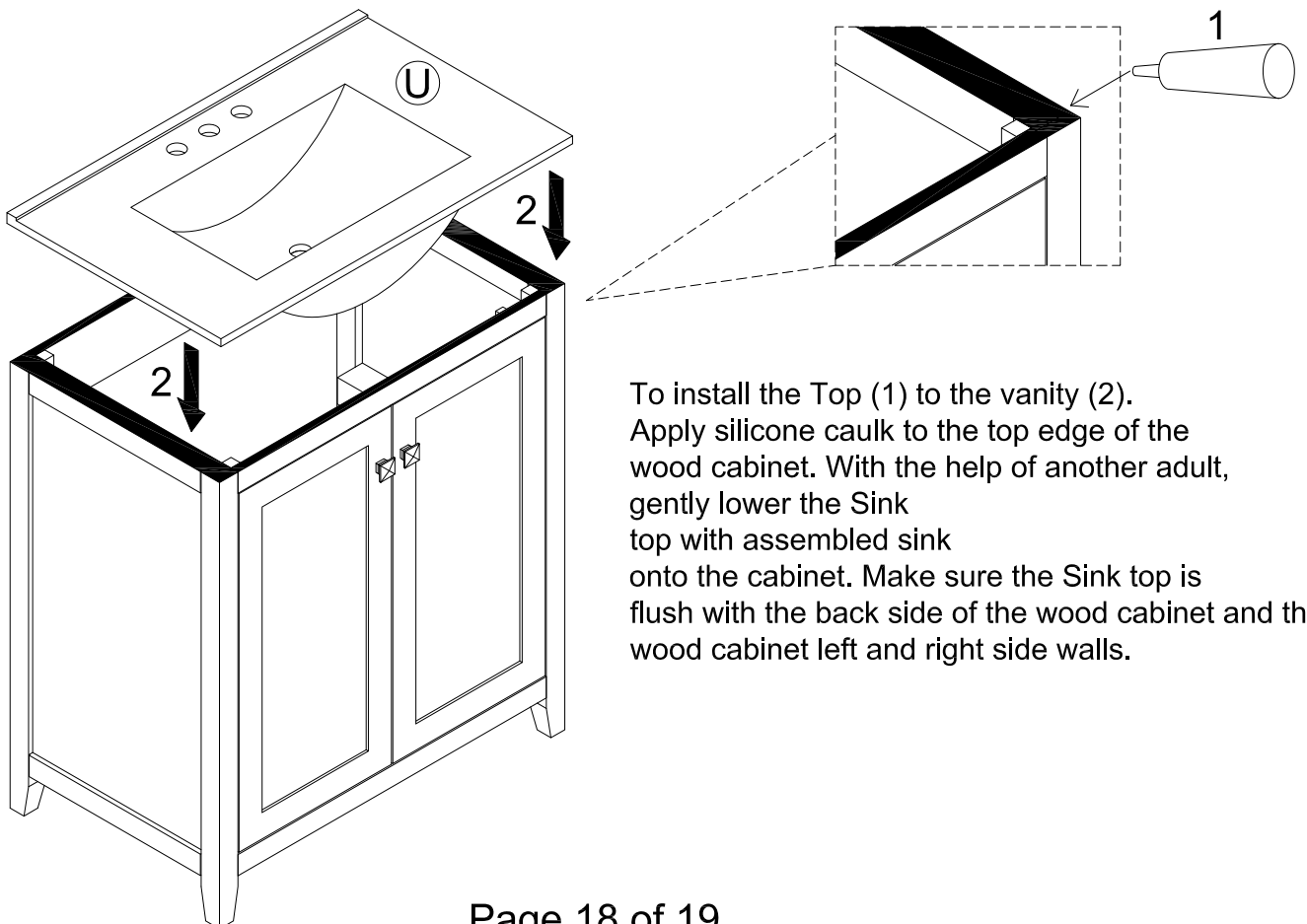


STEP 27

- ① 11 5/32"x18mm 2pcs ② 12 2pcs



STEP 28



To install the Top (1) to the vanity (2). Apply silicone caulk to the top edge of the wood cabinet. With the help of another adult, gently lower the Sink top with assembled sink onto the cabinet. Make sure the Sink top is flush with the back side of the wood cabinet and the wood cabinet left and right side walls.

STEP 29

