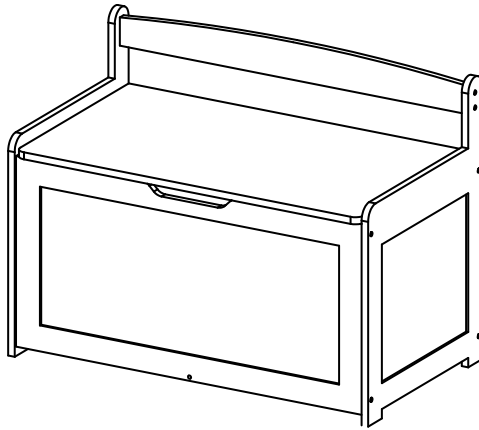


**KIDS STORAGE BENCHES  
USER MANUAL**

## KIDS STORAGE BENCHES



### **NEED HELP? CONTACT US!**

Have product questions? Need technical support? Please feel free to contact us

## **SAFETY INSTRUCTIONS**

### **WARNING:**

**Read this material before using this product. Failure to do so can result in serious injury.**

### **Assembly precautions**

1. Assemble only according to these instructions. Improper assembly can create hazards.
2. Wear ANSI-approved safety goggles and heavy-duty work gloves during assembly.
3. Keep the assembly area clean and well-lit.
4. Keep bystanders out of the area during assembly.
5. Do not assemble when tired or when under the influence of alcohol, drugs or medication.
6. The product capabilities apply to properly and completely assembled products only.

Assemble on a flat, level, hard and smooth surface capable of safely supporting the KIDS STORAGE BENCHES.

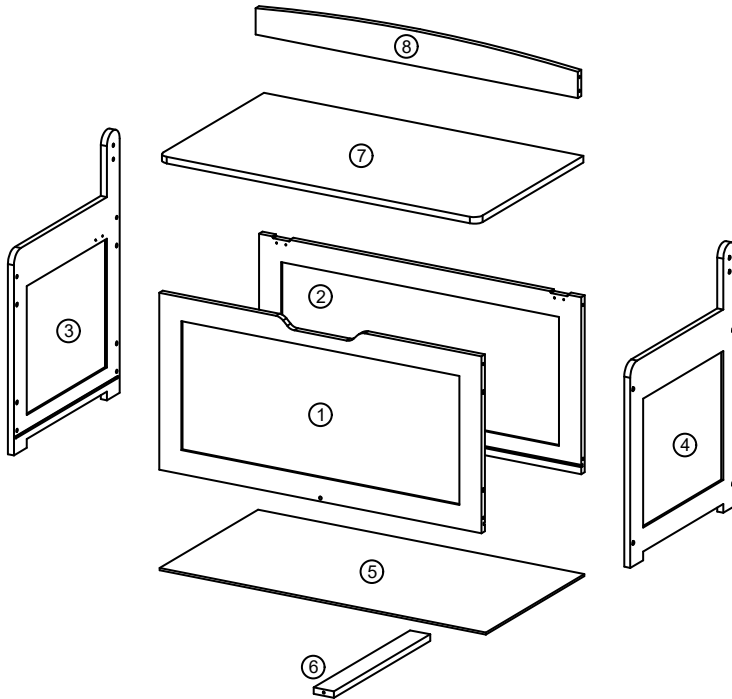
7. For additional information regarding the parts listed in the following pages, please refer to the Assembly Diagram of this manual. Unwrap and separate all parts in a clean work area.

### **Use precautions**

1. Do not exceed weight capacities.  
Use only on a flat, level, hard and smooth surface capable of safely supporting fully loaded KIDS STORAGE BENCHES.
2. Use as intended only.
3. Inspect before every use; do not use if parts are loose or damaged.

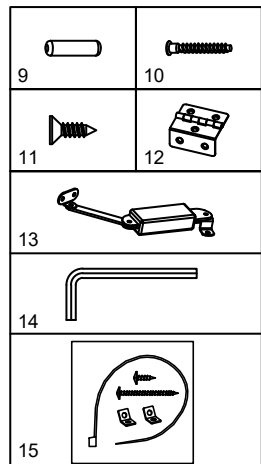
**SAVE THIS MANUAL**

# PARTS LIST



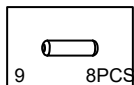
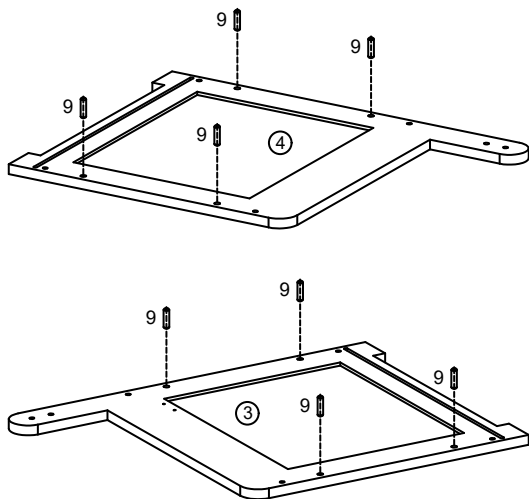
NO.	Name	Qty
1	Panel assembly	1
2	Backplane assembly	1
3	Left panel assembly	1
4	Right panel assembly	1
5	Bottom plate	1
6	Bottom support plate	1
7	Roof plate	1
8	Long support plate	1

NO.	Name	Qty
9	dowel	9
10	Self-tapping screw $\phi 7 \times 50$	15
11	Self-tapping screw $\phi 3.5 \times 12$	13
12	hinge	2
13	Raise one's hand	1
14	Hex key	1
15	Anti-toppling kit	1

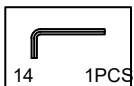
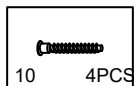
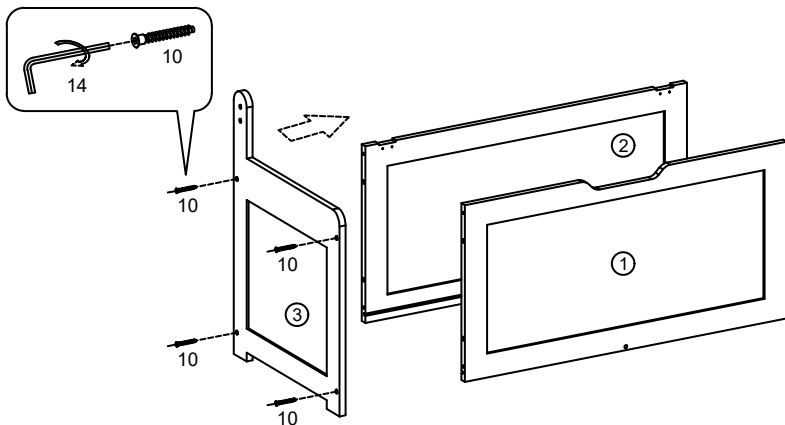


# INSTRUCTIONS

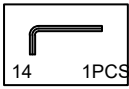
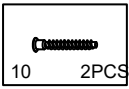
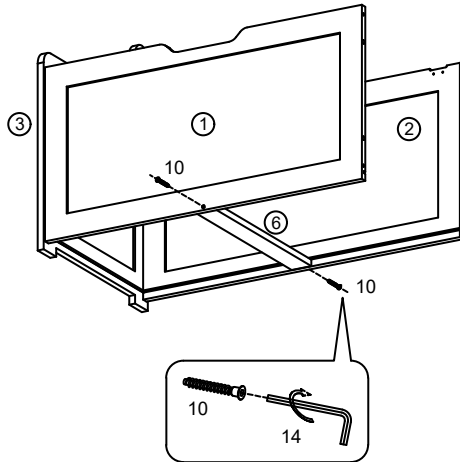
## STEP 1



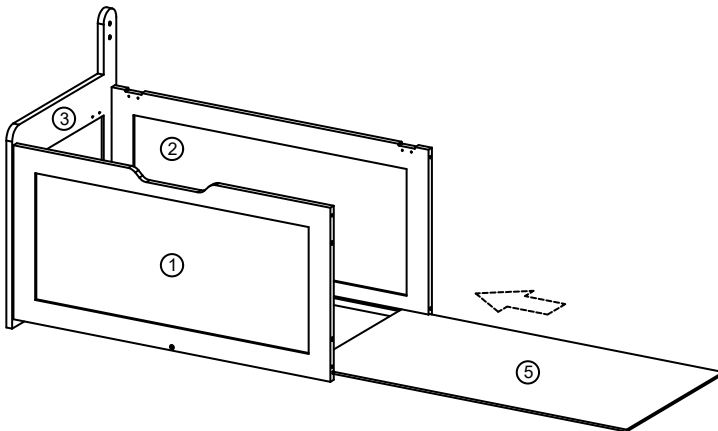
## STEP 2



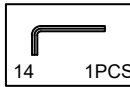
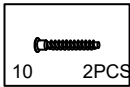
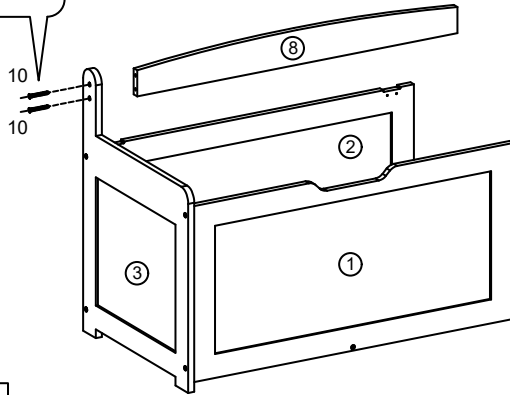
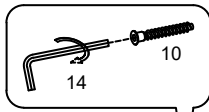
STEP 3



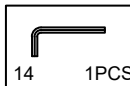
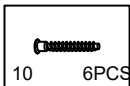
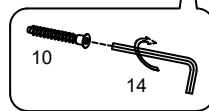
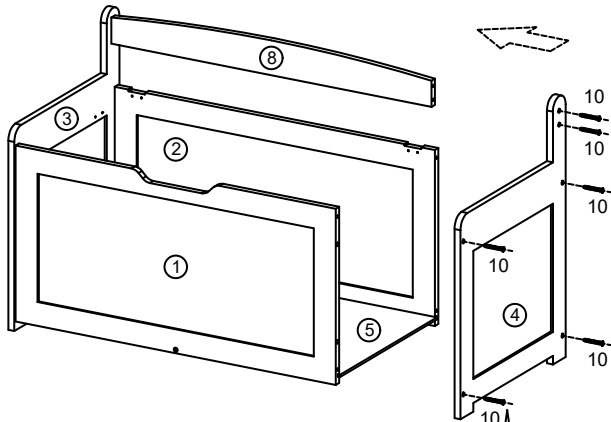
STEP 4



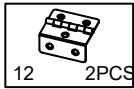
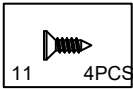
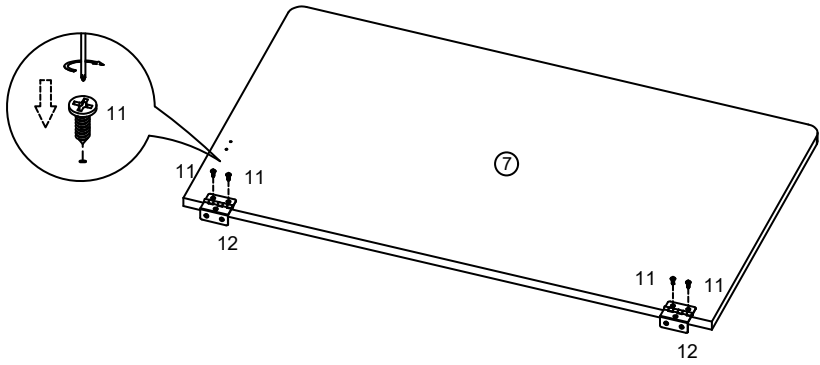
### STEP 5



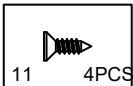
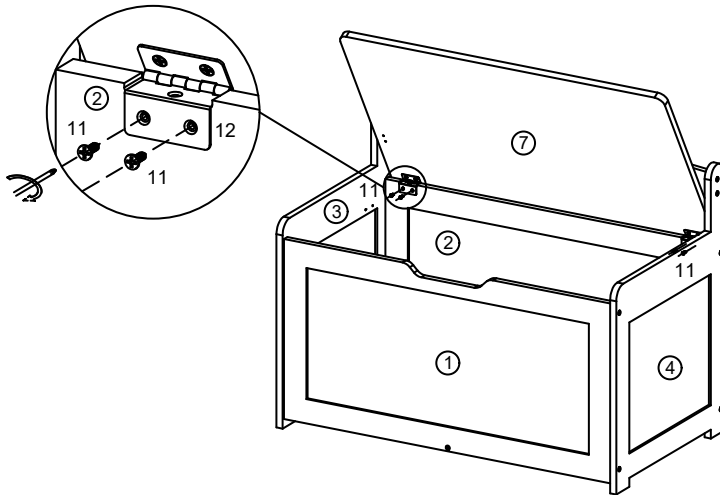
### STEP 6



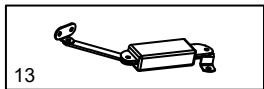
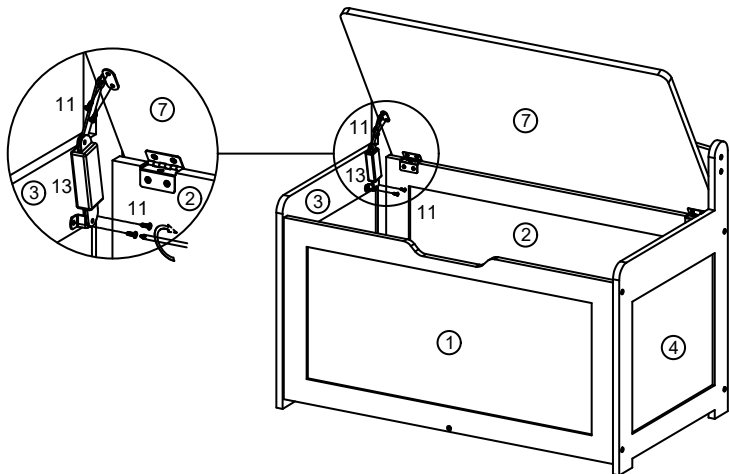
# STEP 7



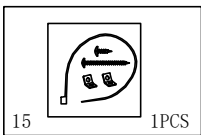
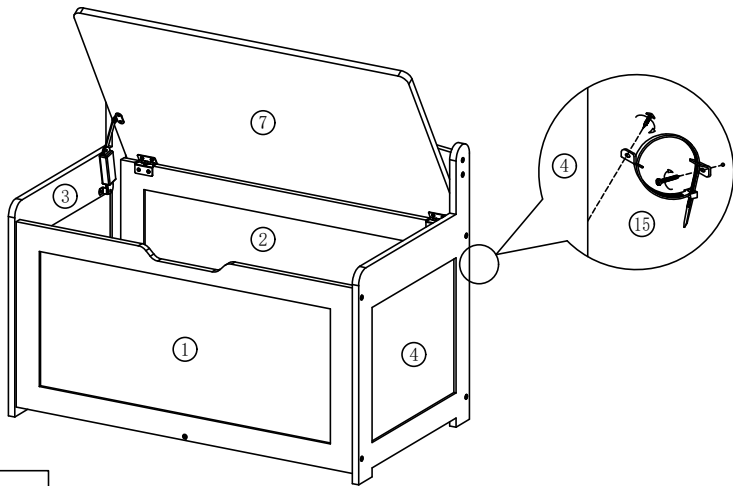
# STEP 8



# STEP 9



# STEP 10



## PRODUCT PARAMETER

Safe Loading Weight	Seat: 243 pounds; Storage cabinet: 88 pounds	
Product Size	830*455*609mm	
Colour	White	Cherry