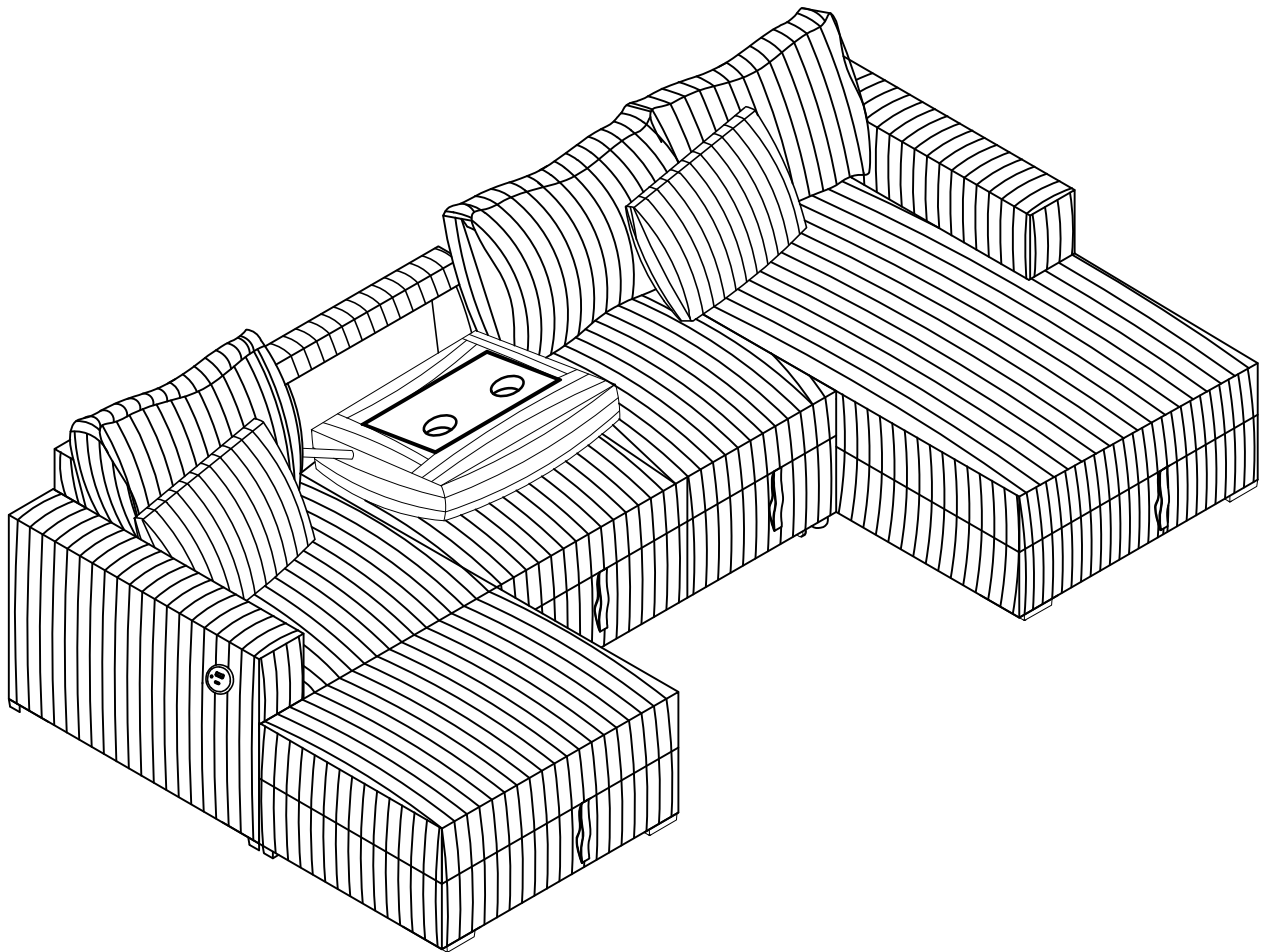





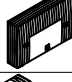

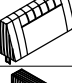
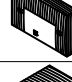
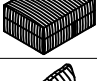
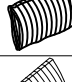

# ASSEMBLY INSTRUCTION

ITEM: SE40-SE41-SE42

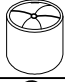
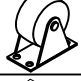
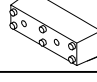
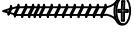
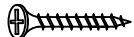


# ASSEMBLY INSTRUCTION

## PARTS LIST

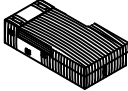


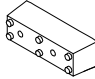
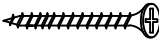
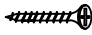

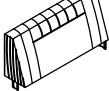
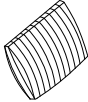
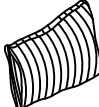
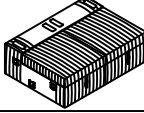


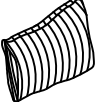

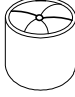
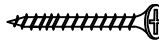
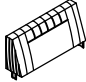
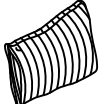
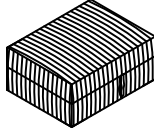
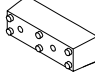
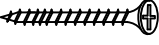
PART	DRAWING	DESCRIPTION	QTY
#1		Love Seat Frame	1PC
#2		Back Frame wth Drop Down Table	1PC
#3		NA-Chair Seat Frame	1PC
#4		Left arm with USB	1PC
#5		Chaise Seat Frame	1PC
#6		Back Frame	3PCS
#7		Right arm	1PC
#8		Ottoman	1PC
#9		Back Cushion	3PCS
#10		THROW PILLOW	2PCS

## HARDWARE LIST

PART	DRAWING	DESCRIPTION	QTY
#A		Round Leg	11PCS
#B		Roller	4PCS
#C		Rectangle Leg	10PCS
#D		M4*50mm Screw	31PCS
#E		M4*25mm Screw	16PCS

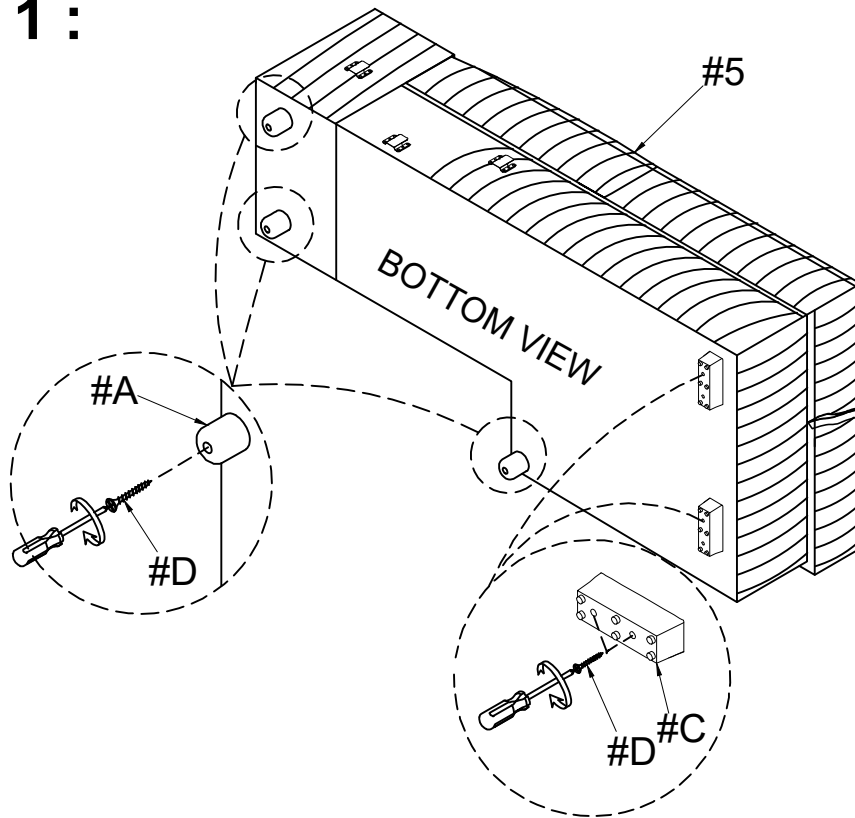
# ASSEMBLY INSTRUCTION

**SE40-SE41-SE42-is packed in 4 case**

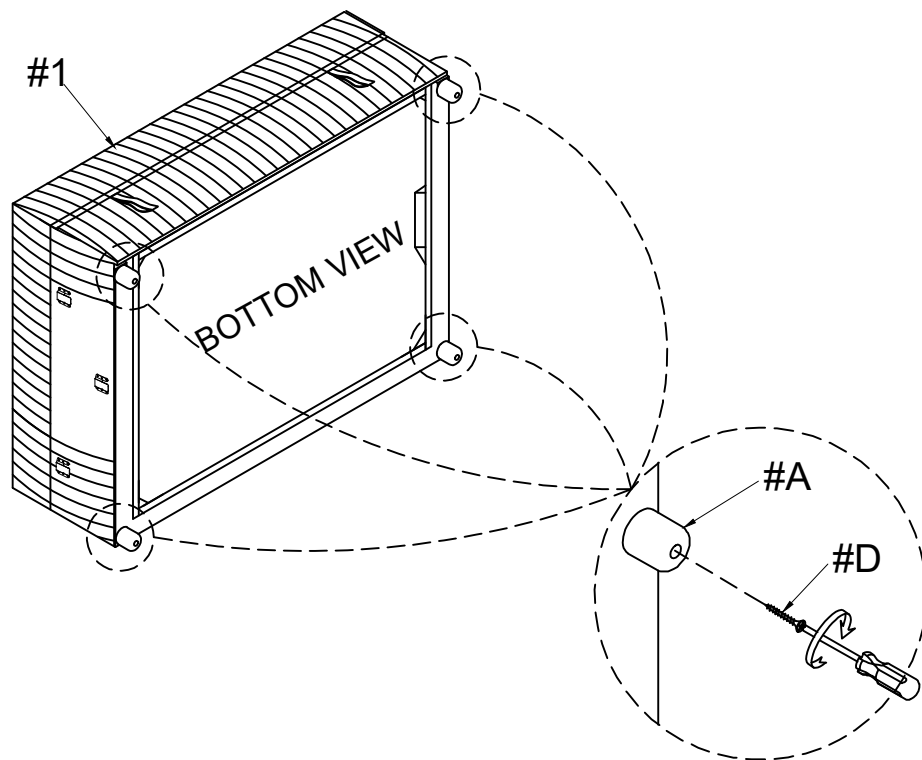
Carton	Description	Part	Hardware
1	Chaise Seat Frame	#5 	 #A x 7pcs  #B x 4pcs  #C x 6pcs  #D x 19pcs  #E x 16pcs
	Back Frame with Drop Down Table	#2 	
	Back Frame (2pcs)	#6 	
	THROW PILLOW (2pcs)	#10 	
	Back Cushion (1pc)	#9 	
2	Love Seat Frame	#1 	
	Left arm with USB	#4 	
	Right arm	#7 	
	Back Cushion (1pc)	#9 	
3	Chair Seat Frame	#3 	 #A x 4pcs  #D 4pcs
	Back Frame (1pc)	#6 	
	Back Cushion (1pc)	#9 	
4	Ottoman	#8 	 #C x 4pcs  #D 8pcs

# ASSEMBLY INSTRUCTION

## STEP 1 :

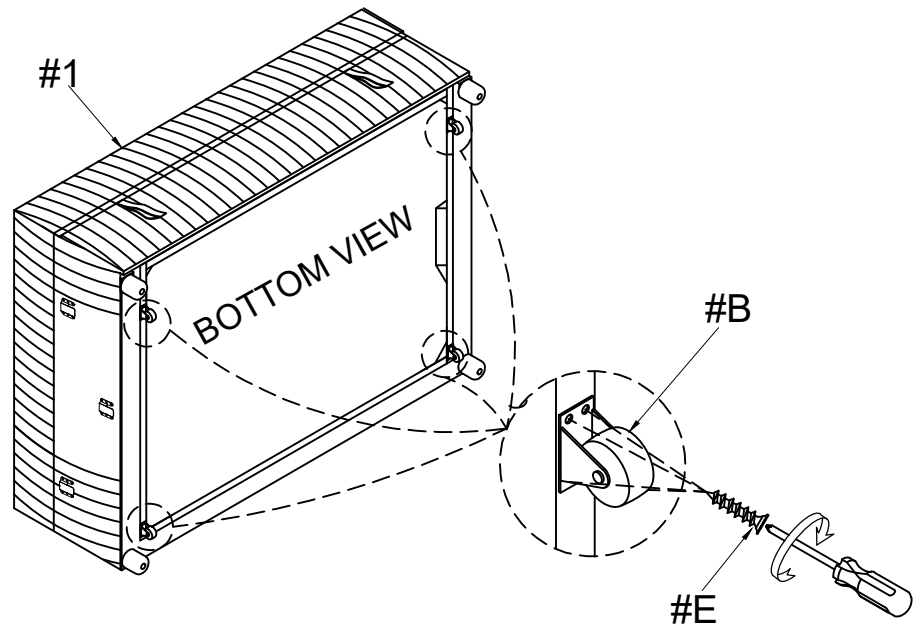


## STEP 2 :



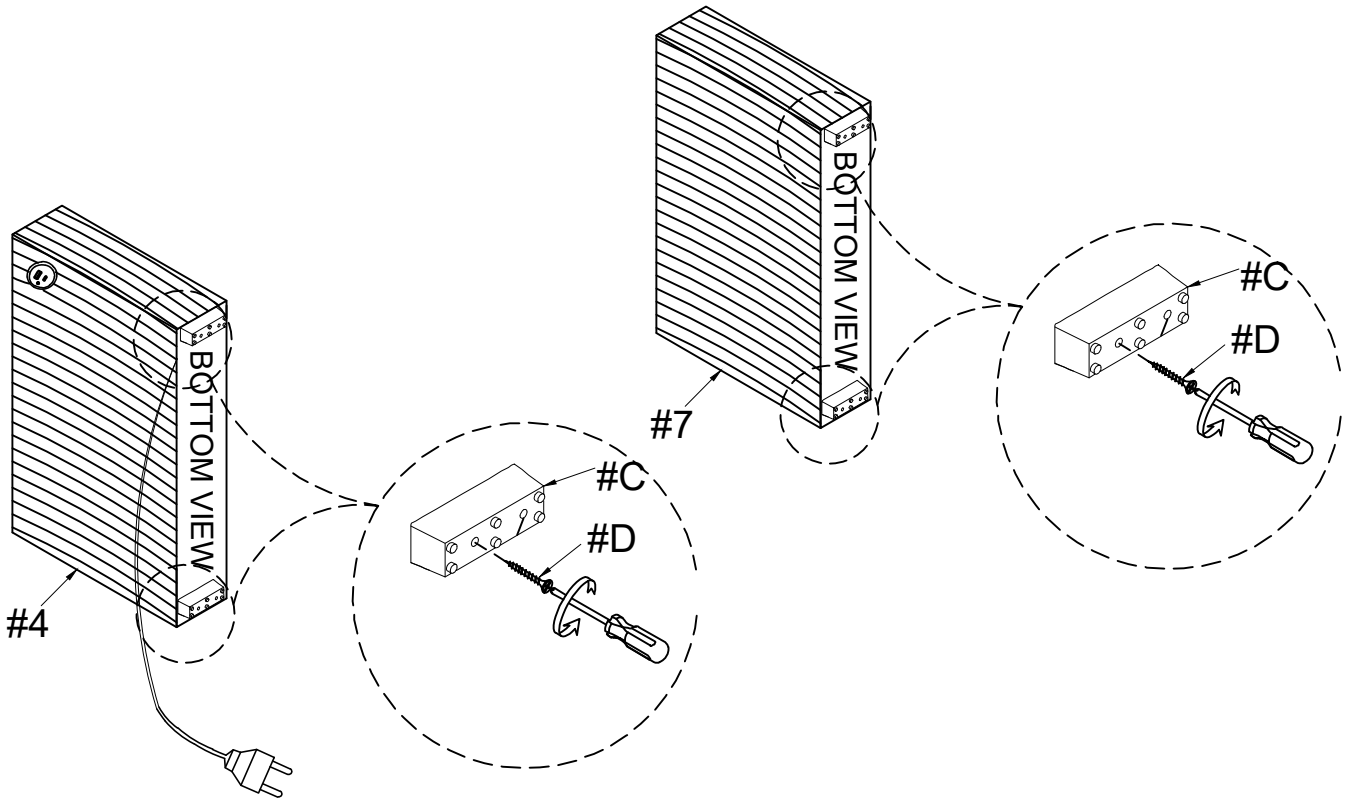
# ASSEMBLY INSTRUCTION

## STEP 3 :



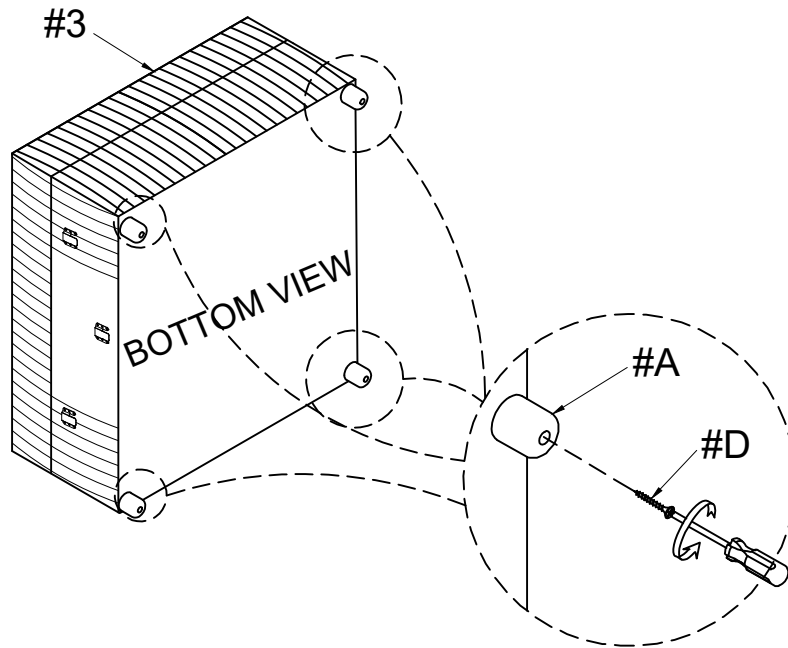
---

## STEP 4 :



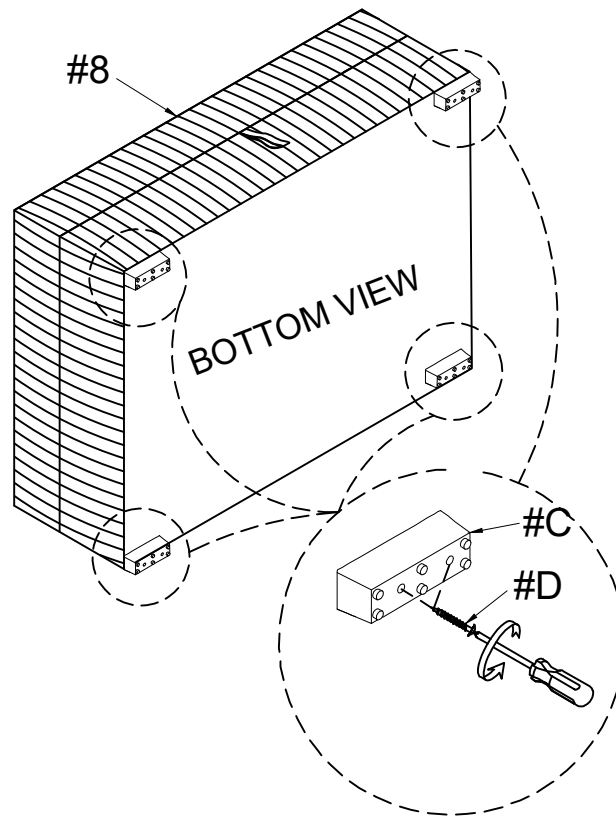
# ASSEMBLY INSTRUCTION

## STEP 5 :



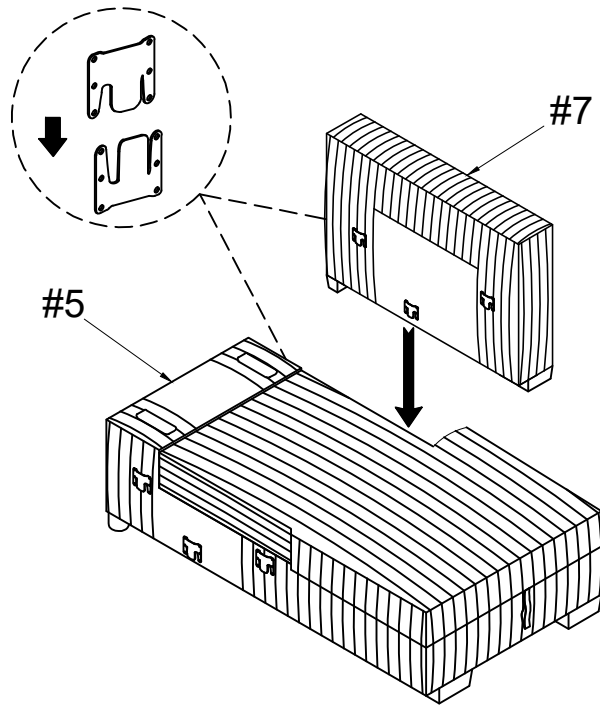
---

## STEP 6:



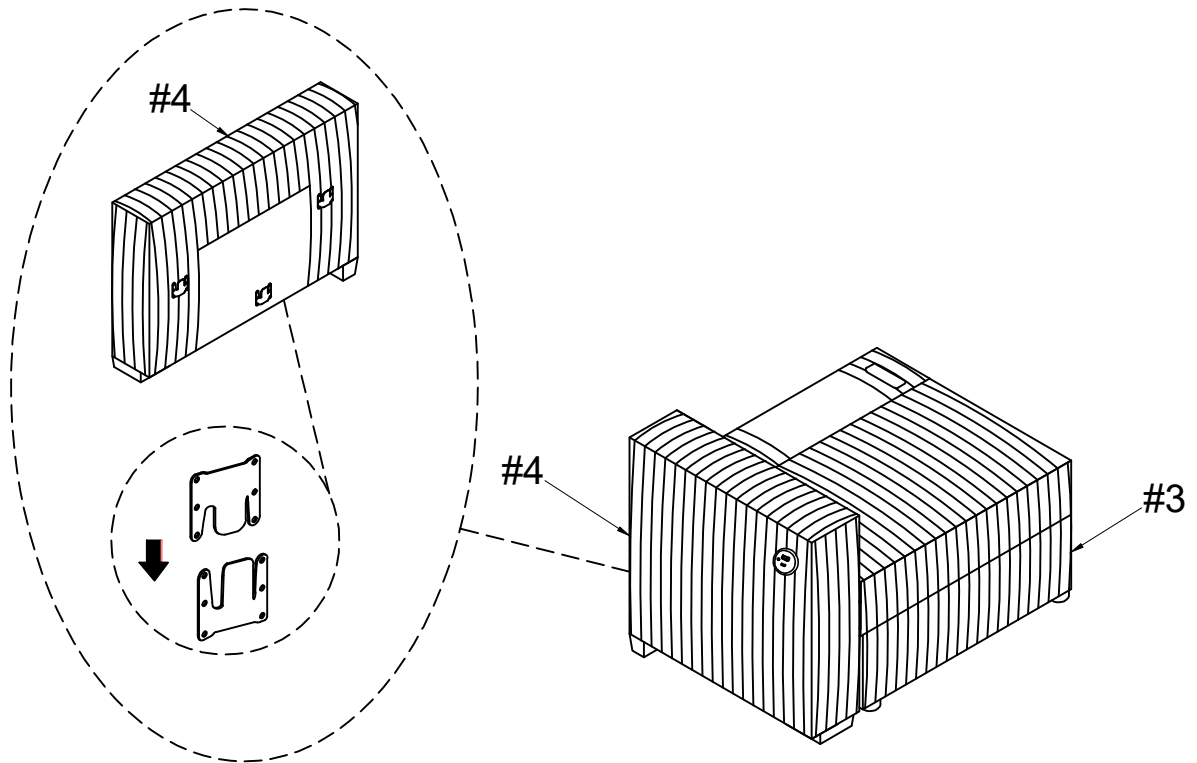
# ASSEMBLY INSTRUCTION

## STEP 7 :



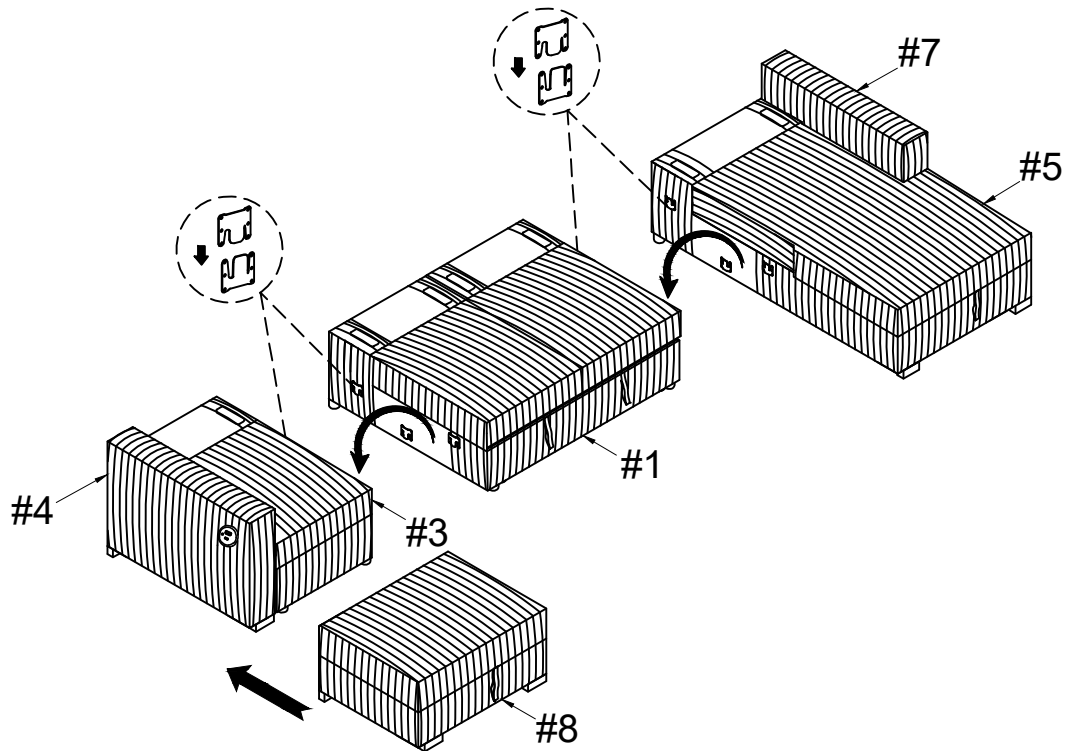
---

## STEP 8 :

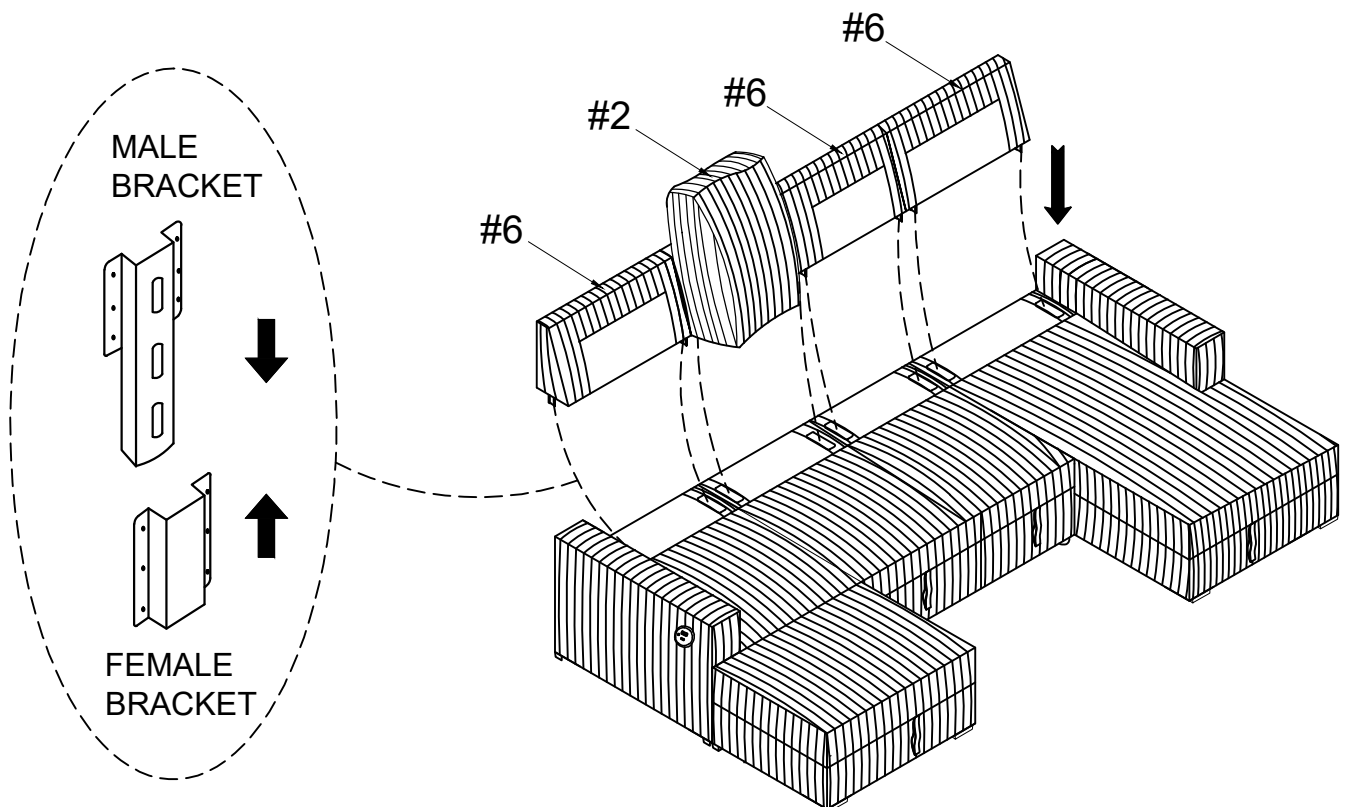


# ASSEMBLY INSTRUCTION

## STEP 9 :

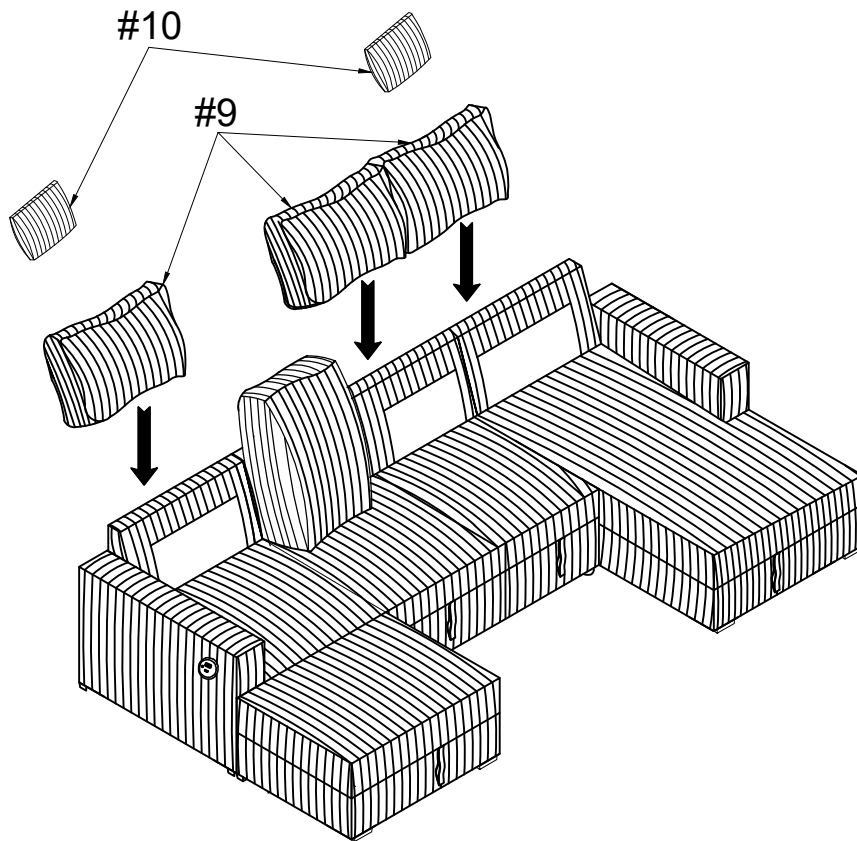


## STEP 10 :



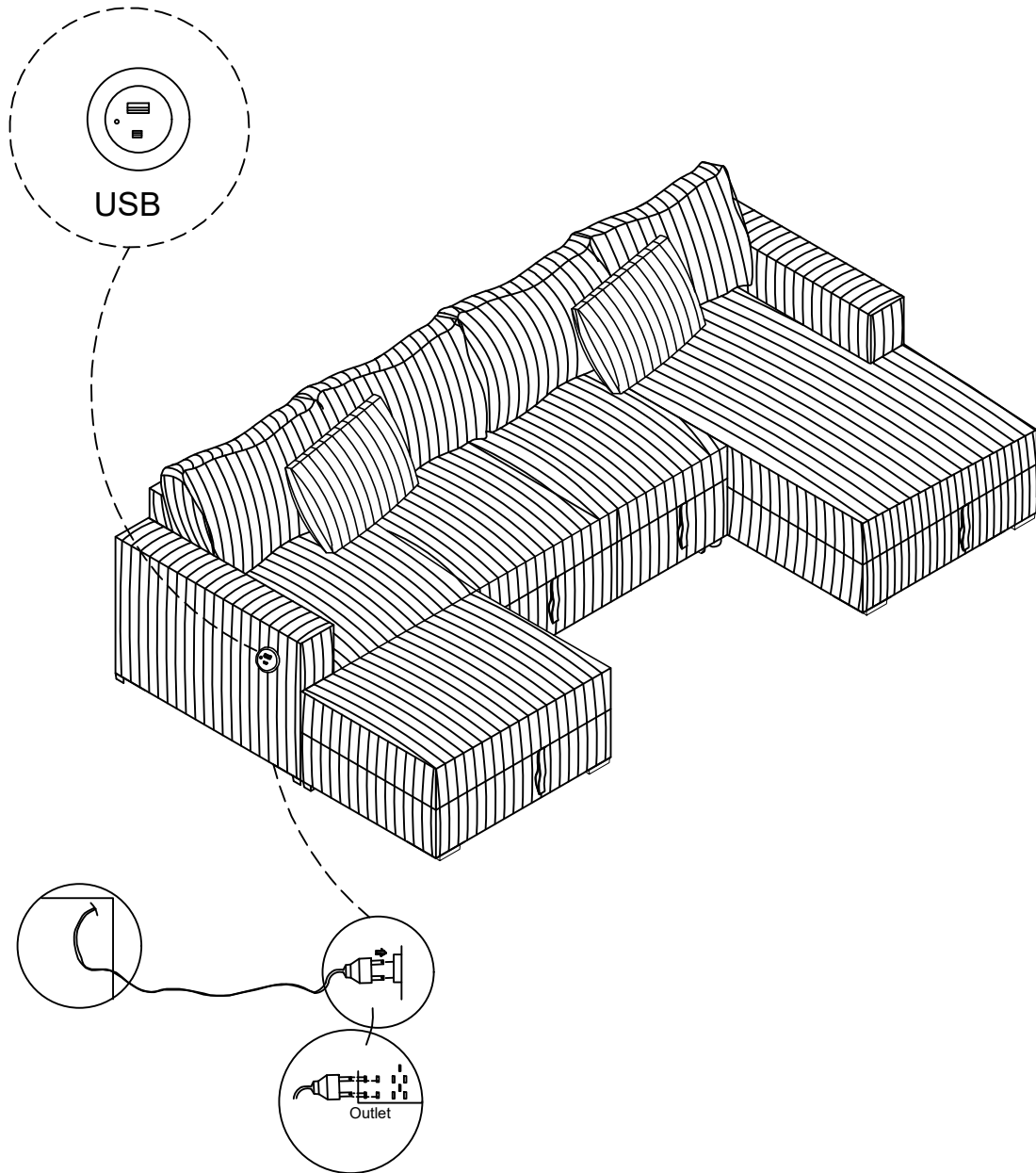
# ASSEMBLY INSTRUCTION

## STEP 11 :



# ASSEMBLY INSTRUCTION

## STEP 12 :



# ASSEMBLY INSTRUCTION

## STEP 13 :

