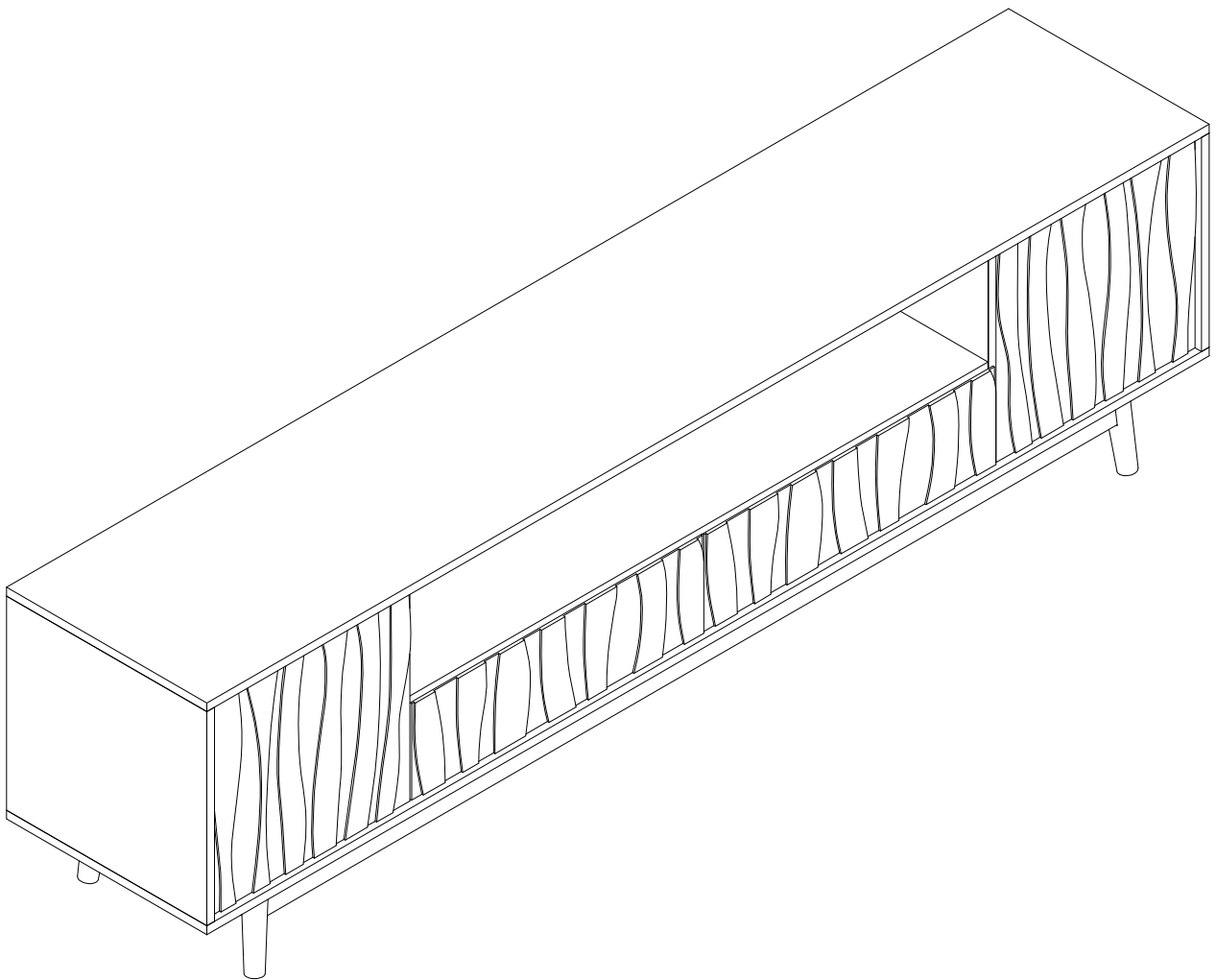
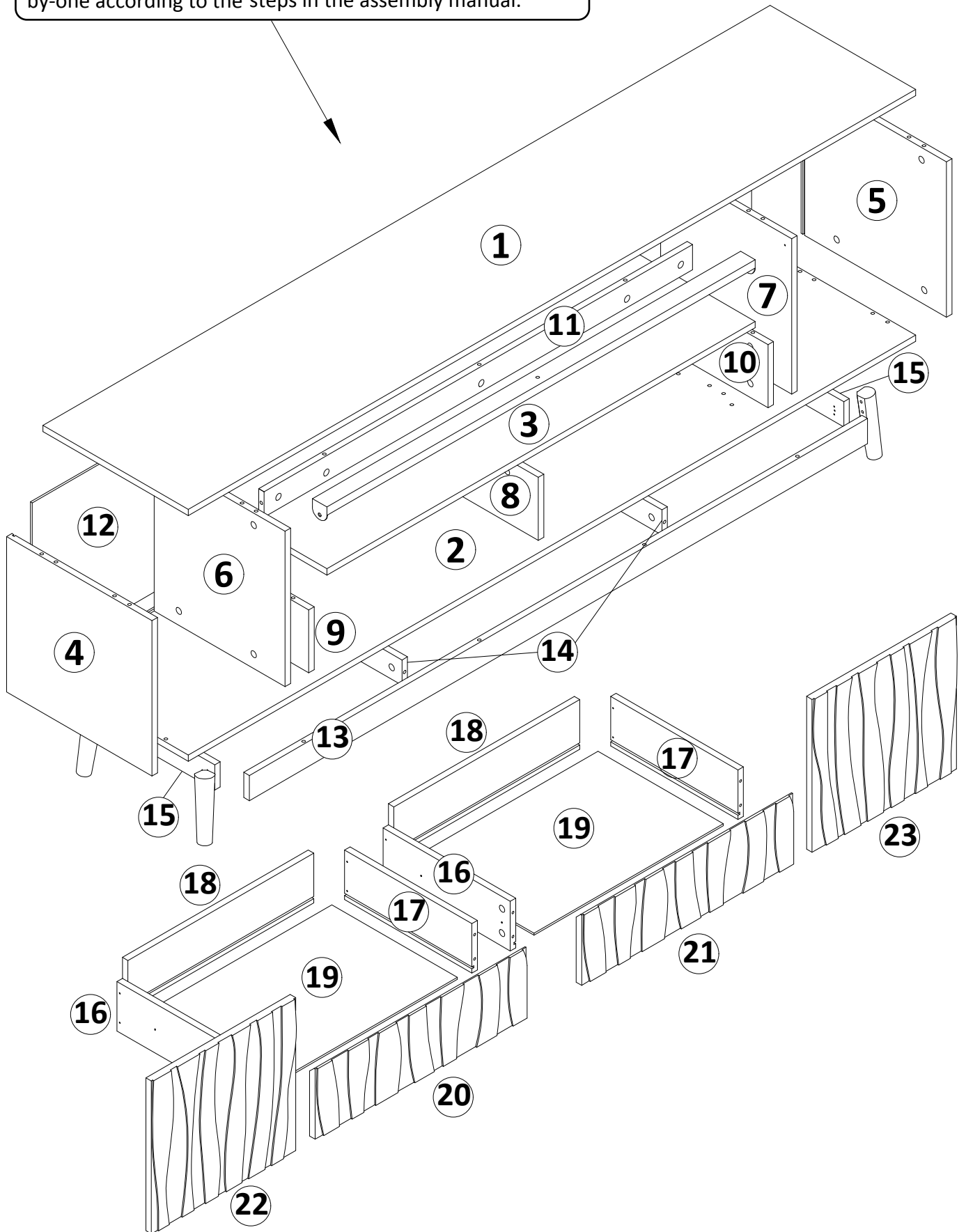


Installation & Assembly

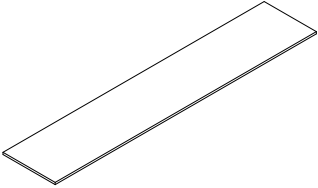
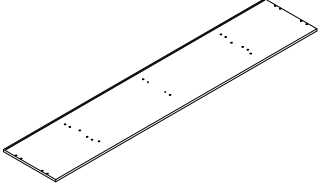
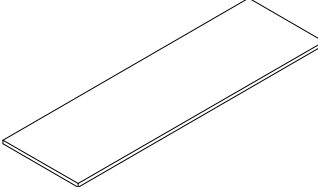
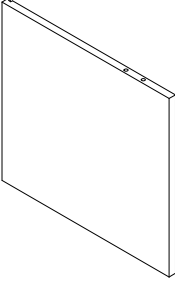
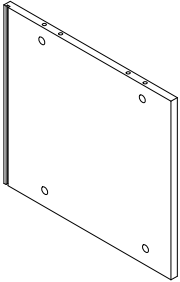
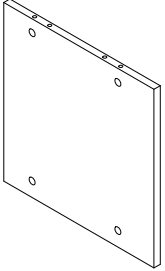
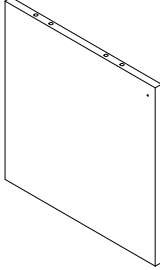
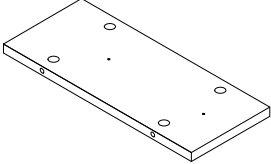
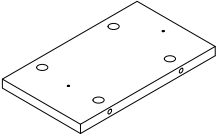
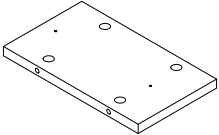
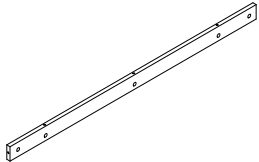
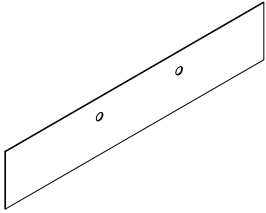
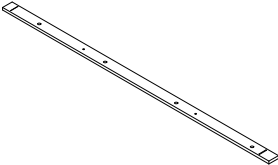
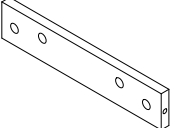
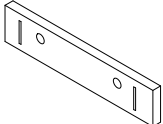
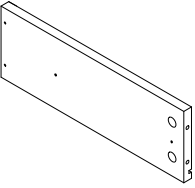
TV Cabinet



Each wooden board has an number sticker. Match them one-by-one according to the steps in the assembly manual.

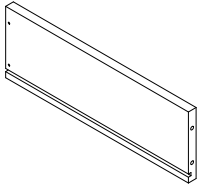


PARTS LIST

1 	2 	3 	4 
1PC	1PC	1PC	1PC
5 	6 	7 	8 
1PC	1PC	1PC	1PC
9 	10 	11 	12 
1PC	1PC	1PC	1PC
13 	14 	15 	16 
2PCS	2PCS	2PCS	2PCS

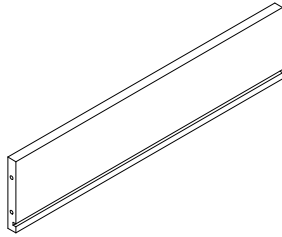
PARTS LIST

17



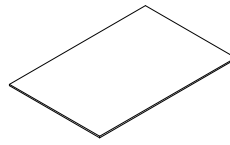
2PCS

18



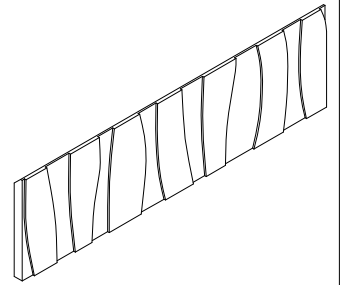
2PCS

19



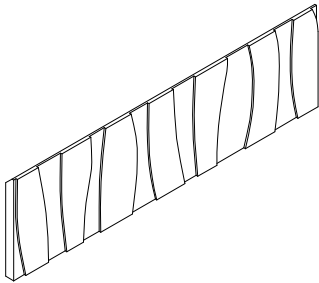
2PCS

20



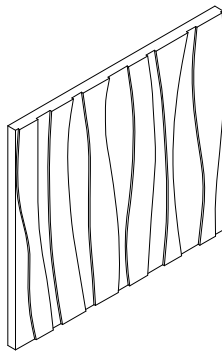
1PC

21



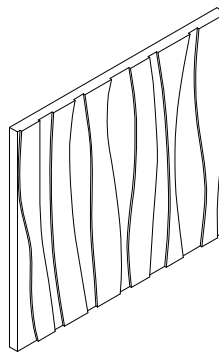
1PC

22



1PC

23

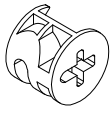
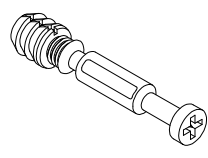
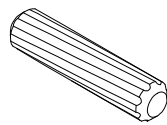
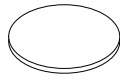
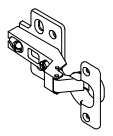
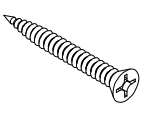
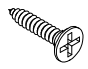
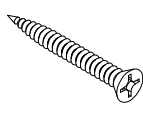
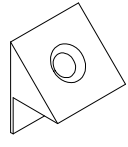
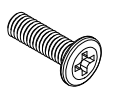
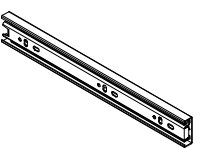

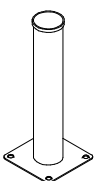
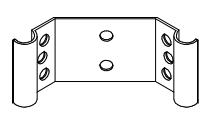
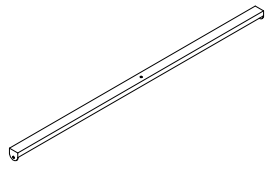


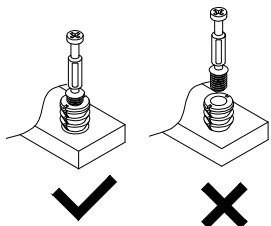
1PC

·The number in the upper left corner indicates the panel code, and the number in the lower middle indicates the quantity.

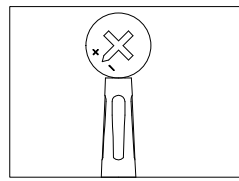
·If you encounter any missing or damaged panels, please contact us immediately. We will prioritize resolving your issue promptly.

HARDWARE LIST

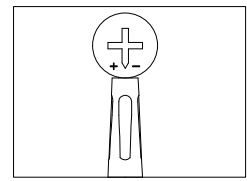
A	B		C		D		E	
								
$\varnothing 15*10\text{MM}$	65PCS	$\varnothing 6*35\text{MM}$	65PCS	$\varnothing 7*38\text{MM}$	20PCS	$\varnothing 20\text{MM}$	16PCS	4PCS
F	G		H		I		J	
								
$\varnothing 3.5*35\text{MM}$	8PCS	$\varnothing 3.5*14\text{MM}$	80PCS	$\varnothing 3.5*30\text{MM}$	1PCS		10PCS	$\varnothing 6*25\text{MM}$ 8PCS
K	L		M		N		O	
								
10"	4PCS	150MM	4PCS	150MM	1PCS		4PCS	1177*40*20MM 1PCS



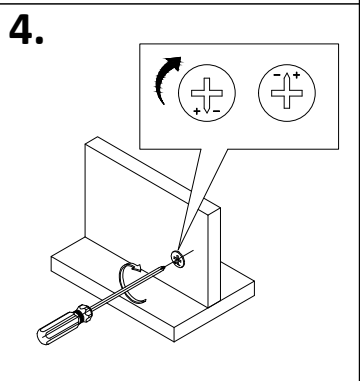
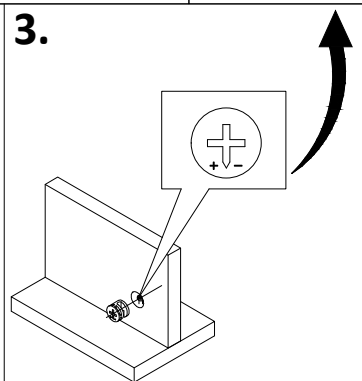
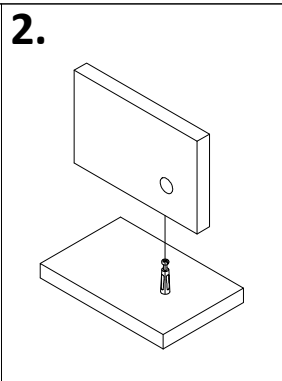
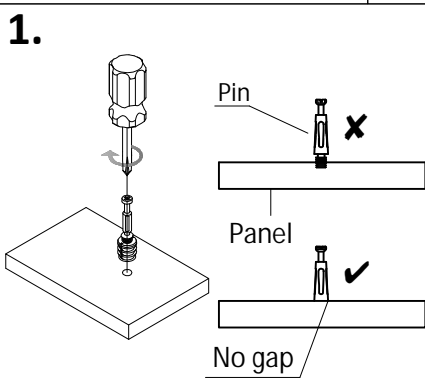
This part cannot be separated, please install in strict accordance with the assembly requirements.



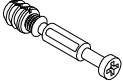
Adjust connecting piece direction until it is properly lined up with the hole.

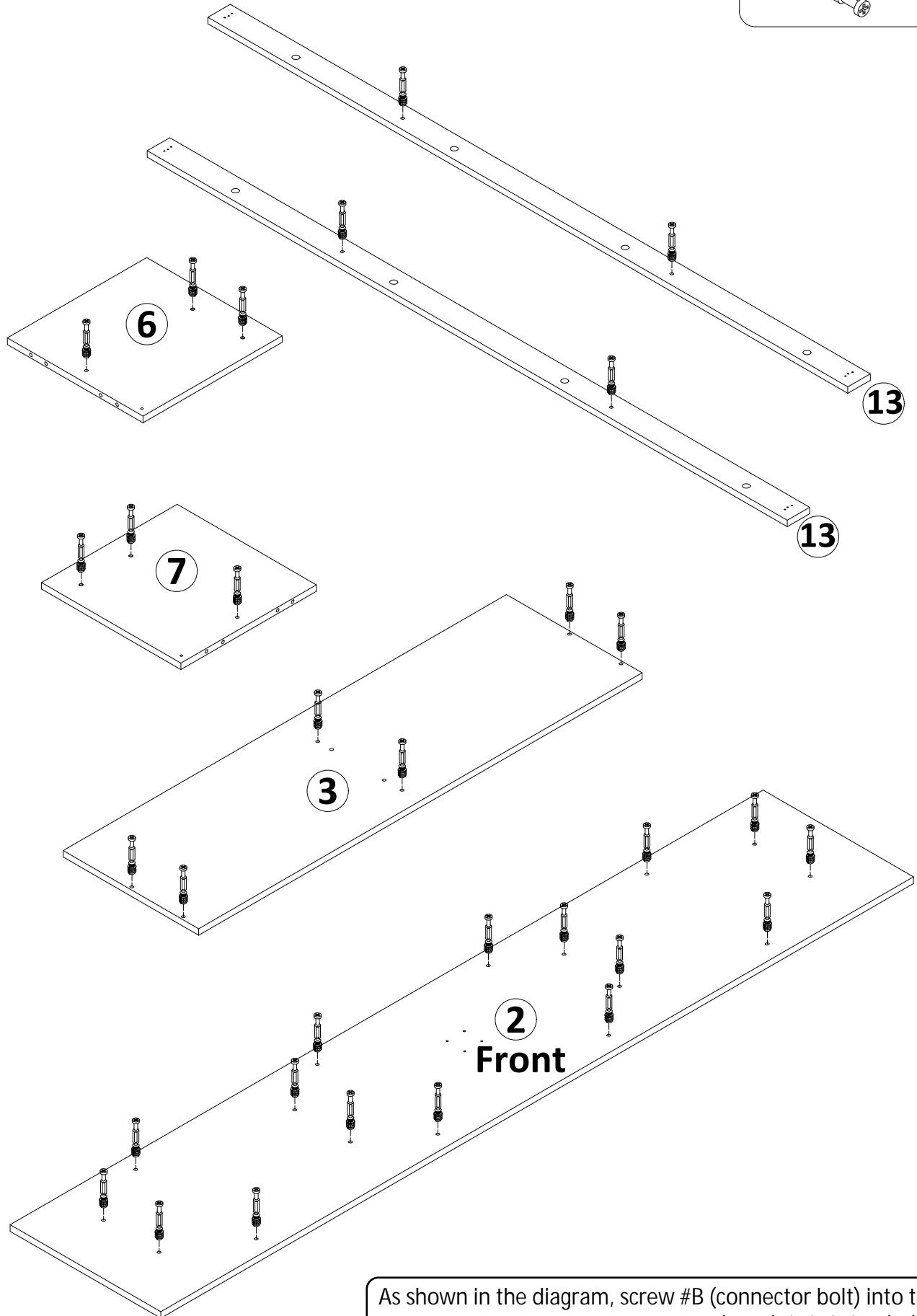


Insert bolt when connecting piece direction is properly lined up.



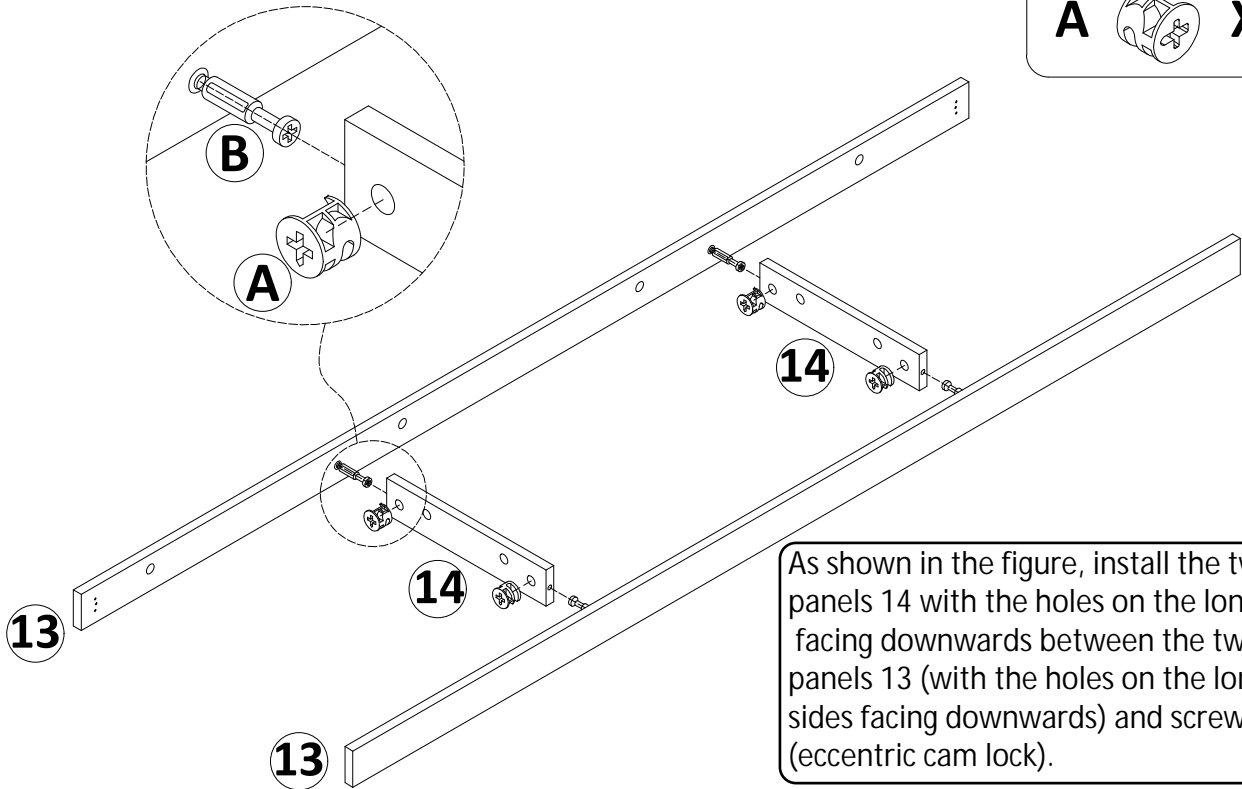
Step 1

B  **X32**



As shown in the diagram, screw #B (connector bolt) into the corresponding holes of the Panels 2 (front) /3/6/7/13 (x2) .

Step 2



A  **X4**

As shown in the figure, install the two panels 14 with the holes on the long sides facing downwards between the two panels 13 (with the holes on the long sides facing downwards) and screw in #A (eccentric cam lock).

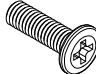
Step 3


Note: When installing Panels 13, 14, and 15, make sure the side with the holes is facing down.

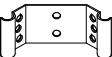
1. Snap the #N (accessories) fittings into the grooves on the edges of Panels 13 and 15 to secure the four corners.
2. Place the #L (wooden legs) as shown. Connect #N (accessories) and #L with two #J (screws), and finally secure the sides of #N with #G (screws).
3. Follow the above steps to install the remaining #L (wooden legs).

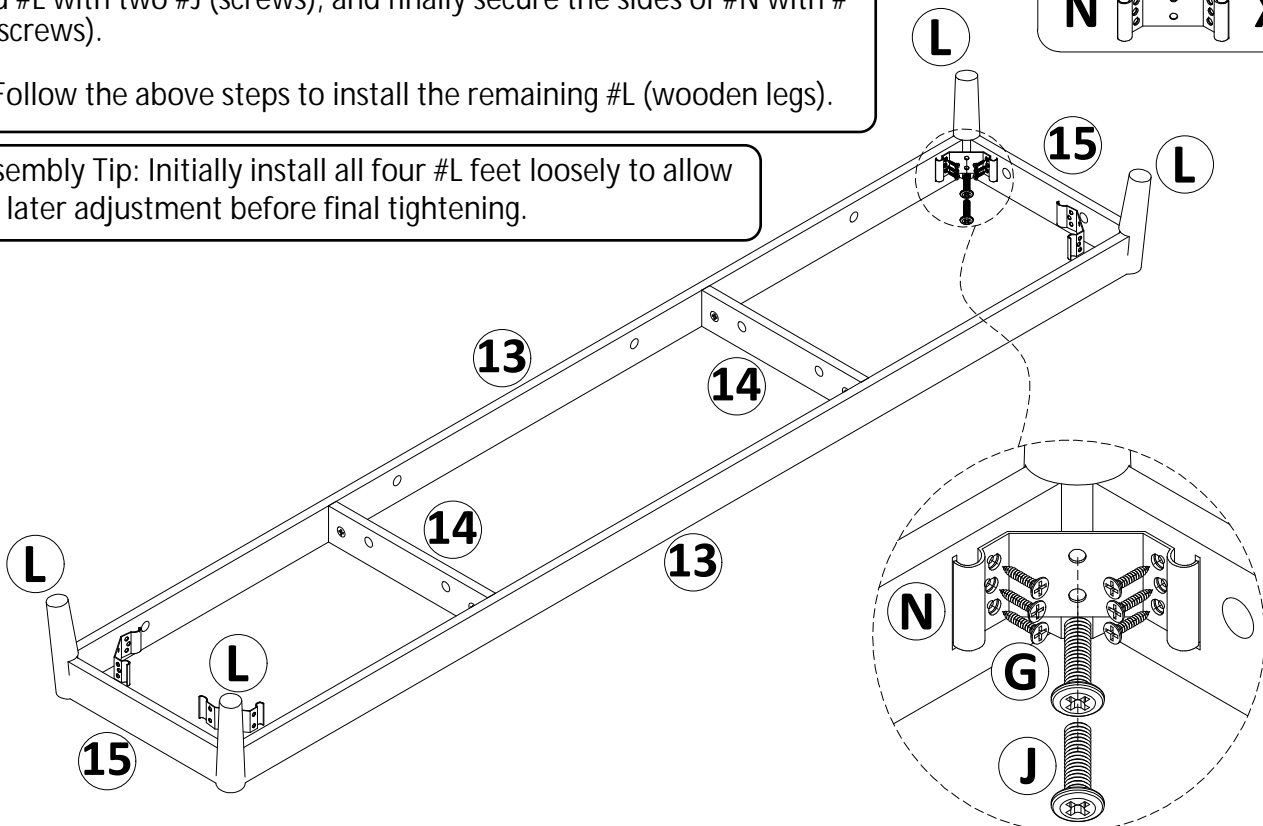
Assembly Tip: Initially install all four #L feet loosely to allow for later adjustment before final tightening.

G  **X24**

J  **X8**

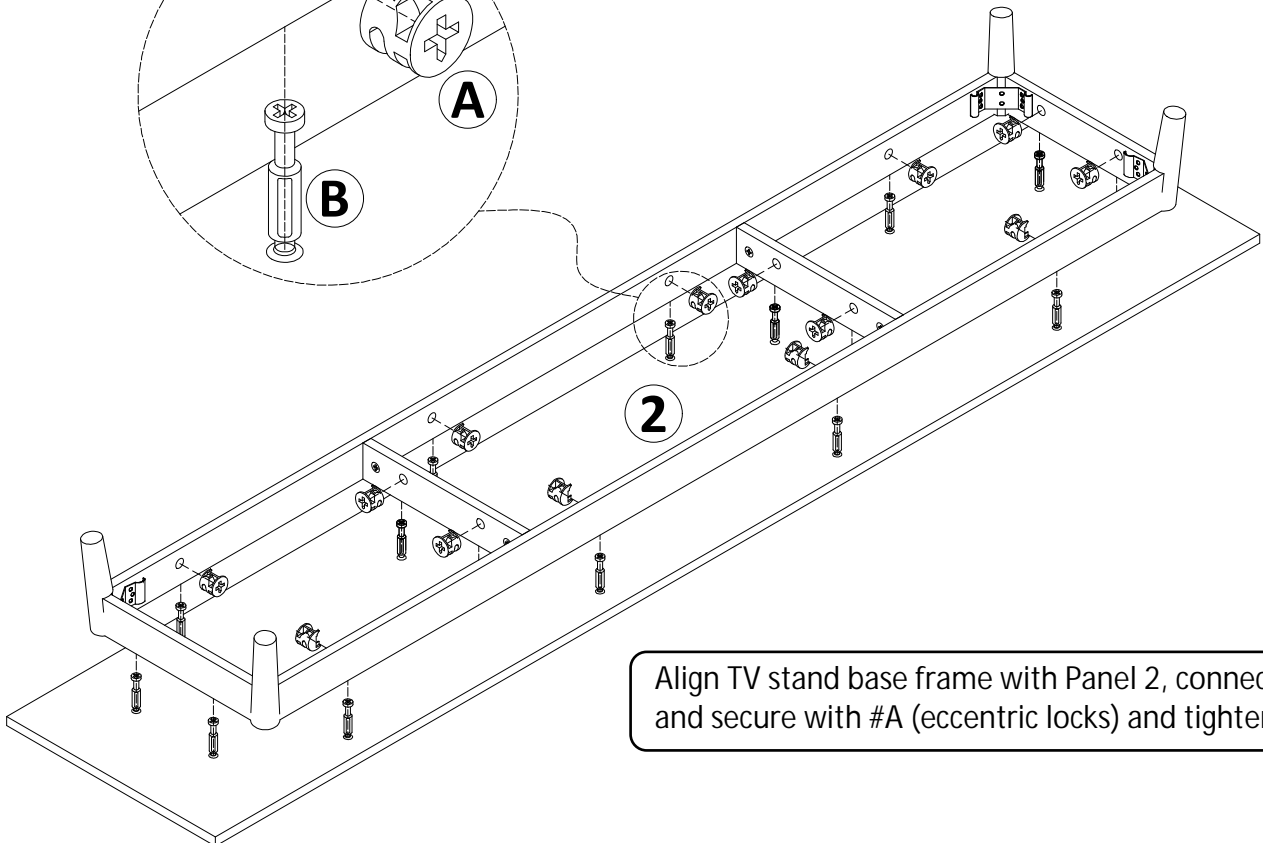
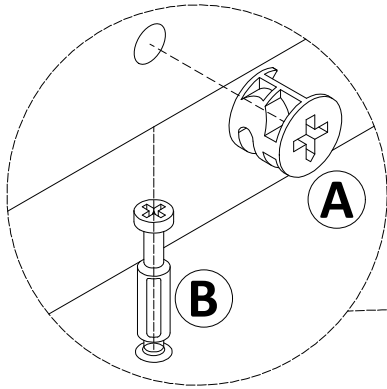
L  **X4**

N  **X4**



Step 4

A  **X16**




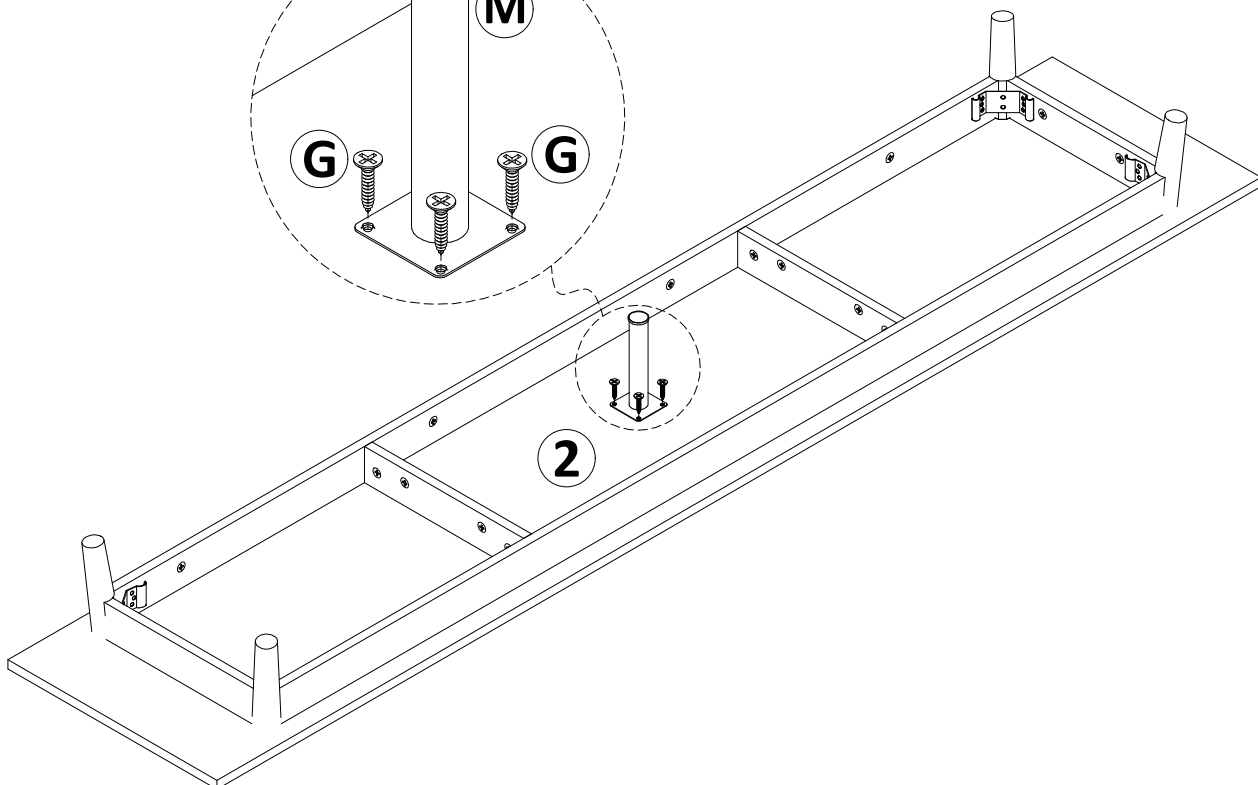
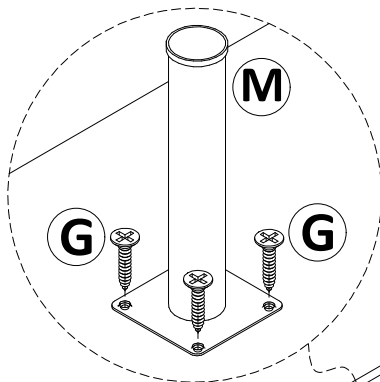
Align TV stand base frame with Panel 2, connect and secure with #A (eccentric locks) and tighten.

Step 5

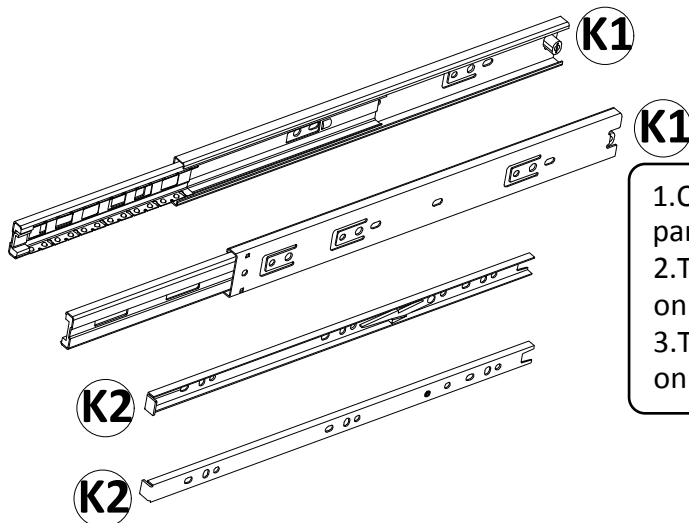
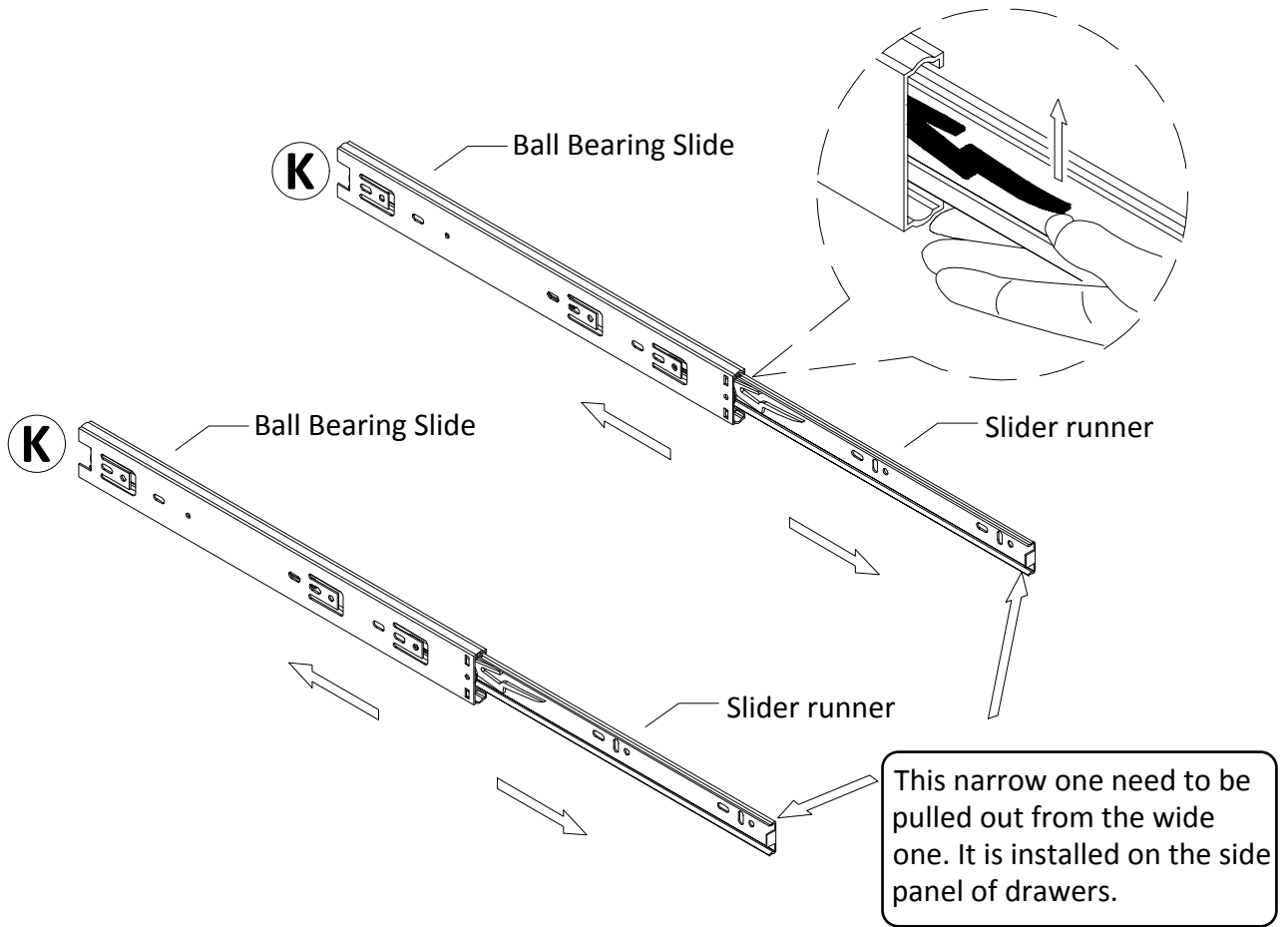
Insert #G (screws) into #M matching hole and fasten to Panel 2.

G  **X4**

M  **X1**



Step 6



1. One set of guide rail should be four parts.
2. Two wide guide rails are installed on the side panel of the cabinet.
3. Two narrow guide rails are installed on the side panel of drawers.

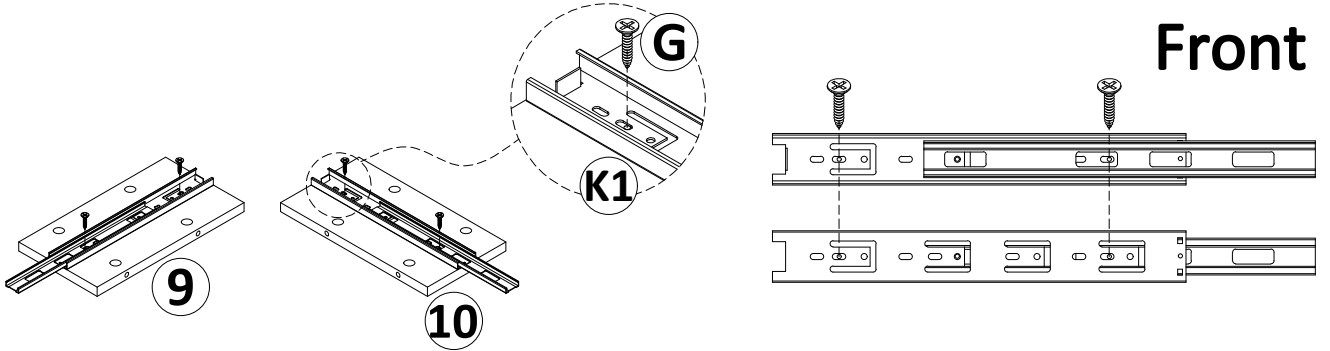
Attention:
Take care when installing the slide rails as they have been pre-lubricated.

Step 7

As shown: Secure two K1 units to Panels 9 and 10 using #G (screws).

G  **X4**

K1  **X2**

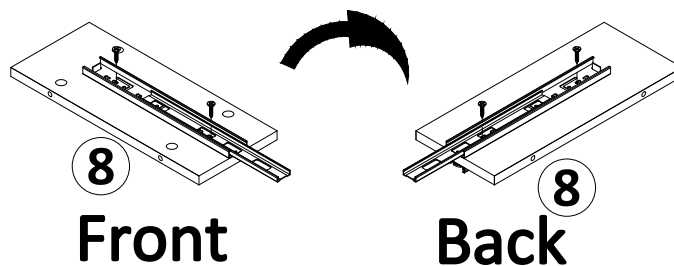
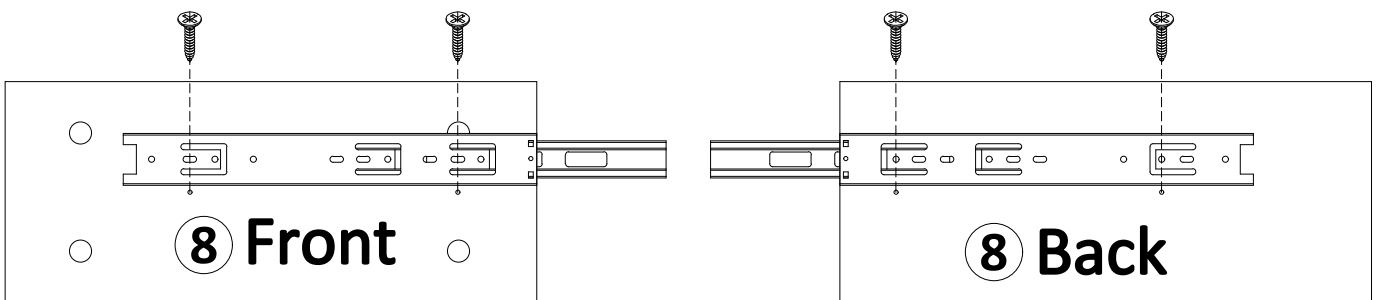


Step 8

As shown: Secure two K1 units to Panels 8 (Front and Back) using #G (screws).
Note that different hole positions are used when installing the guide rails on the front and back of Panel 8.

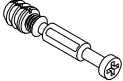
G  **X4**

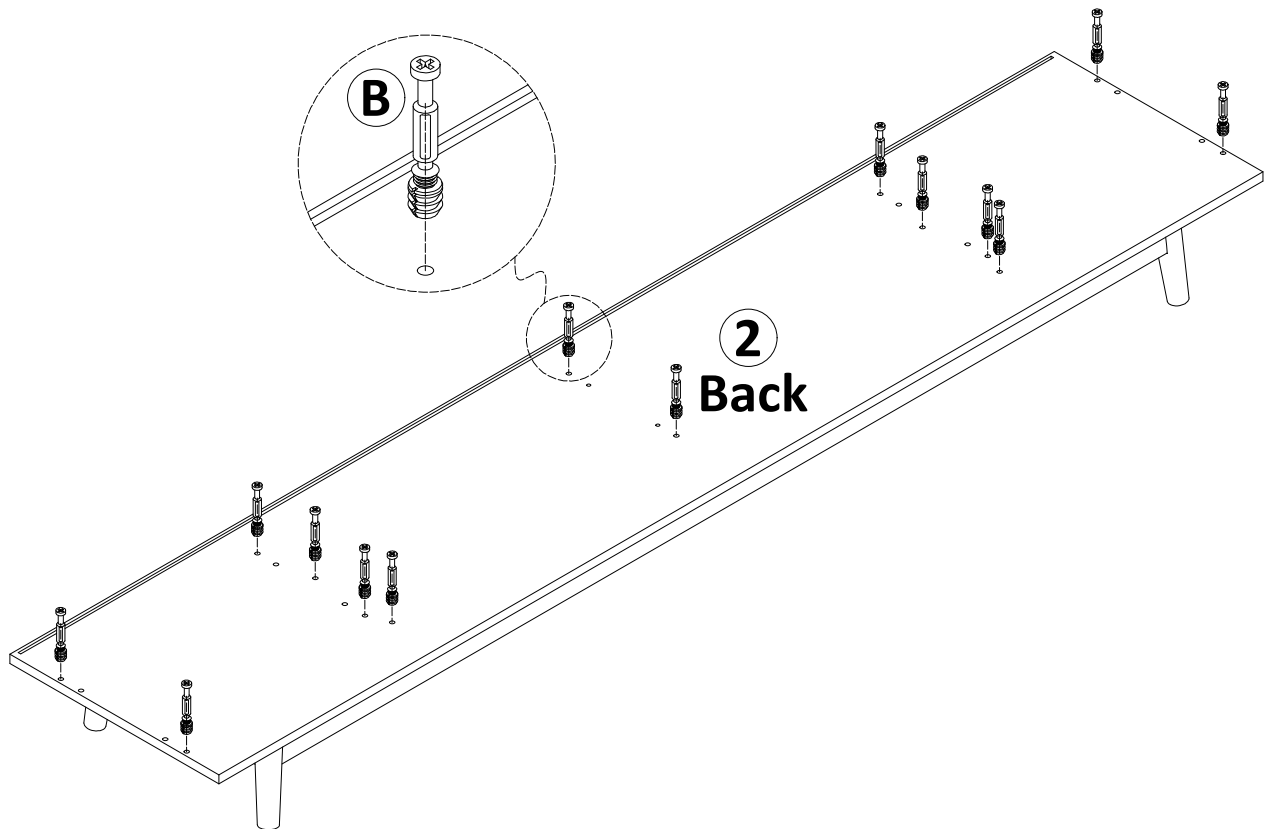
K1  **X2**



Step 9


Screw screw #B (connector bolt) into the back of Panel 2.

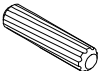
B  **X14**

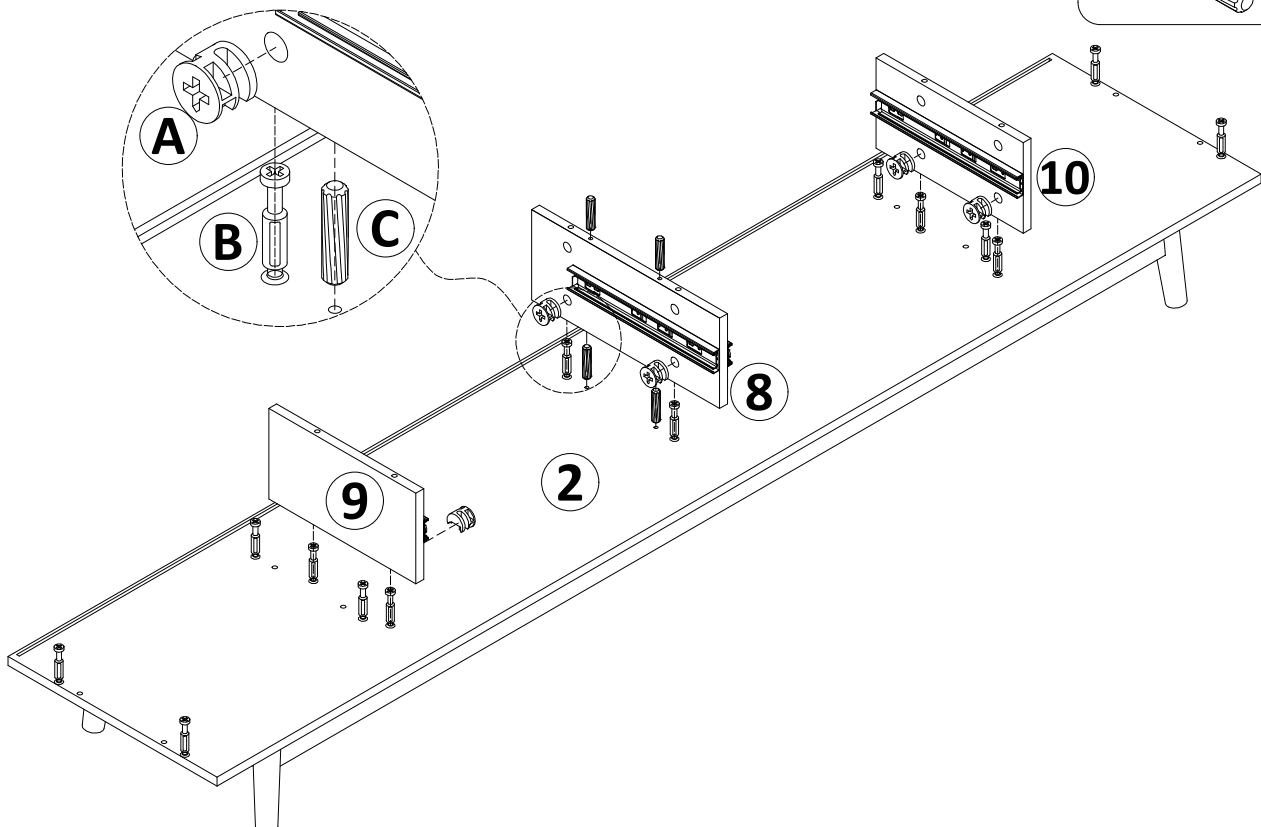


Step 10

Insert #C (wood dowel pins) into Panel 2, connect Panel 8/9/10 to Panel 2, then secure with #A (eccentric locks) and tighten.

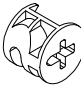
A  **X6**

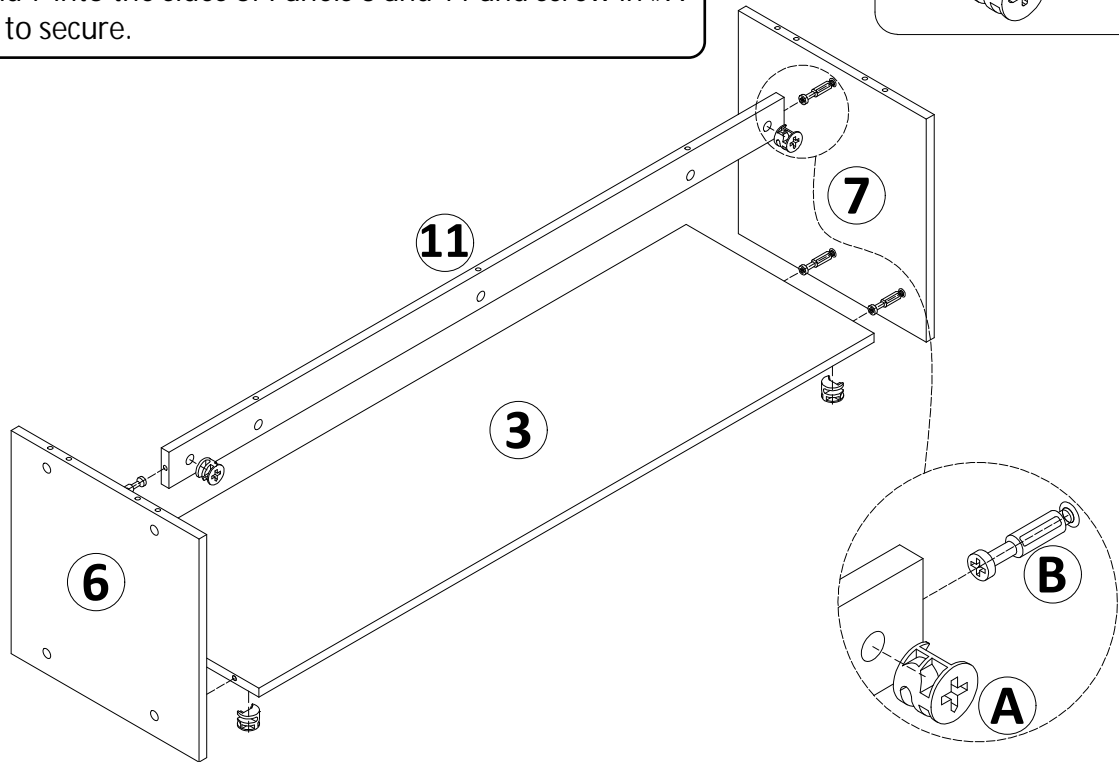
C  **X4**



Step 11


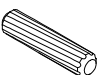
Snap Panels 6 and 7 into the sides of Panels 3 and 11 and screw in #A (eccentric locks) to secure.

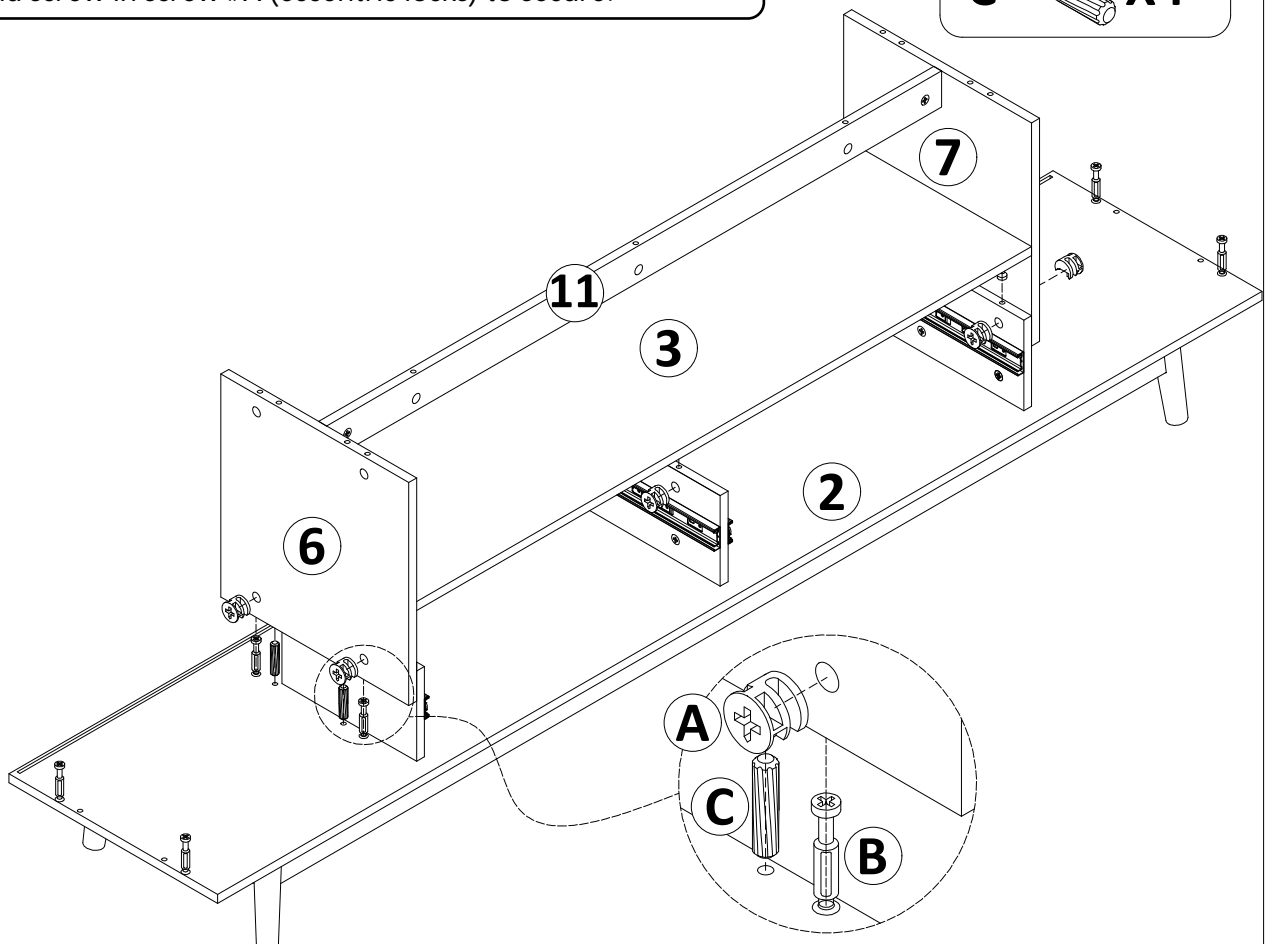
A  **X6**



Step 12

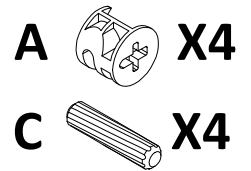
1. Screw #C (wood dowel pins) into Panel 2;
2. Then install the entire pre-assembled part (Panels 3/6/7/11) onto Panel 2 and screw in screw #A (eccentric locks) to secure.

A  **X10**
C  **X4**

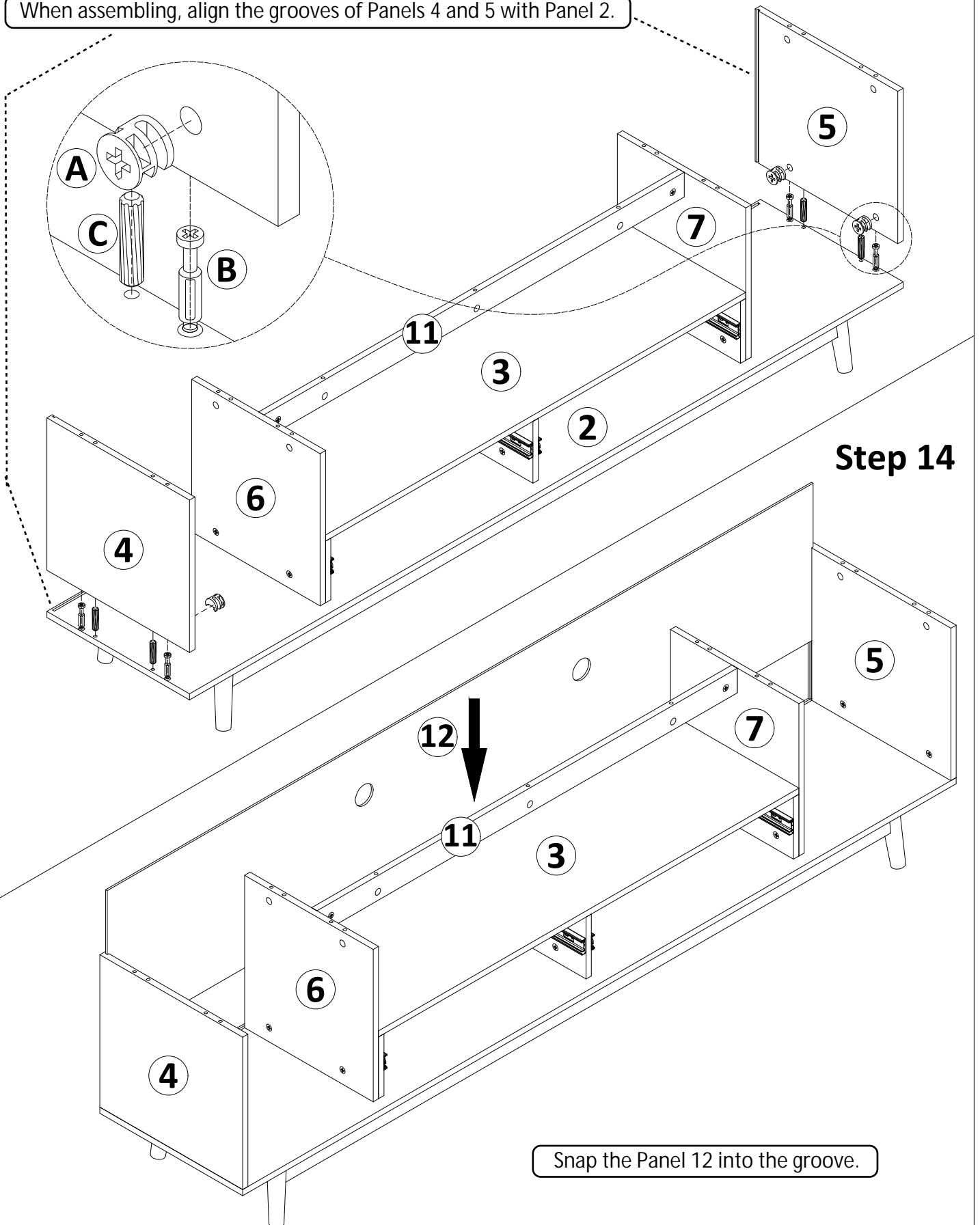


Step 13

1. As shown, insert #C (wood dowel pins) into the designated holes of Panel 2.
2. Then, snap Panels 4 and 5 onto Panel 2 and secure with screws #A (eccentric locks).





When assembling, align the grooves of Panels 4 and 5 with Panel 2.

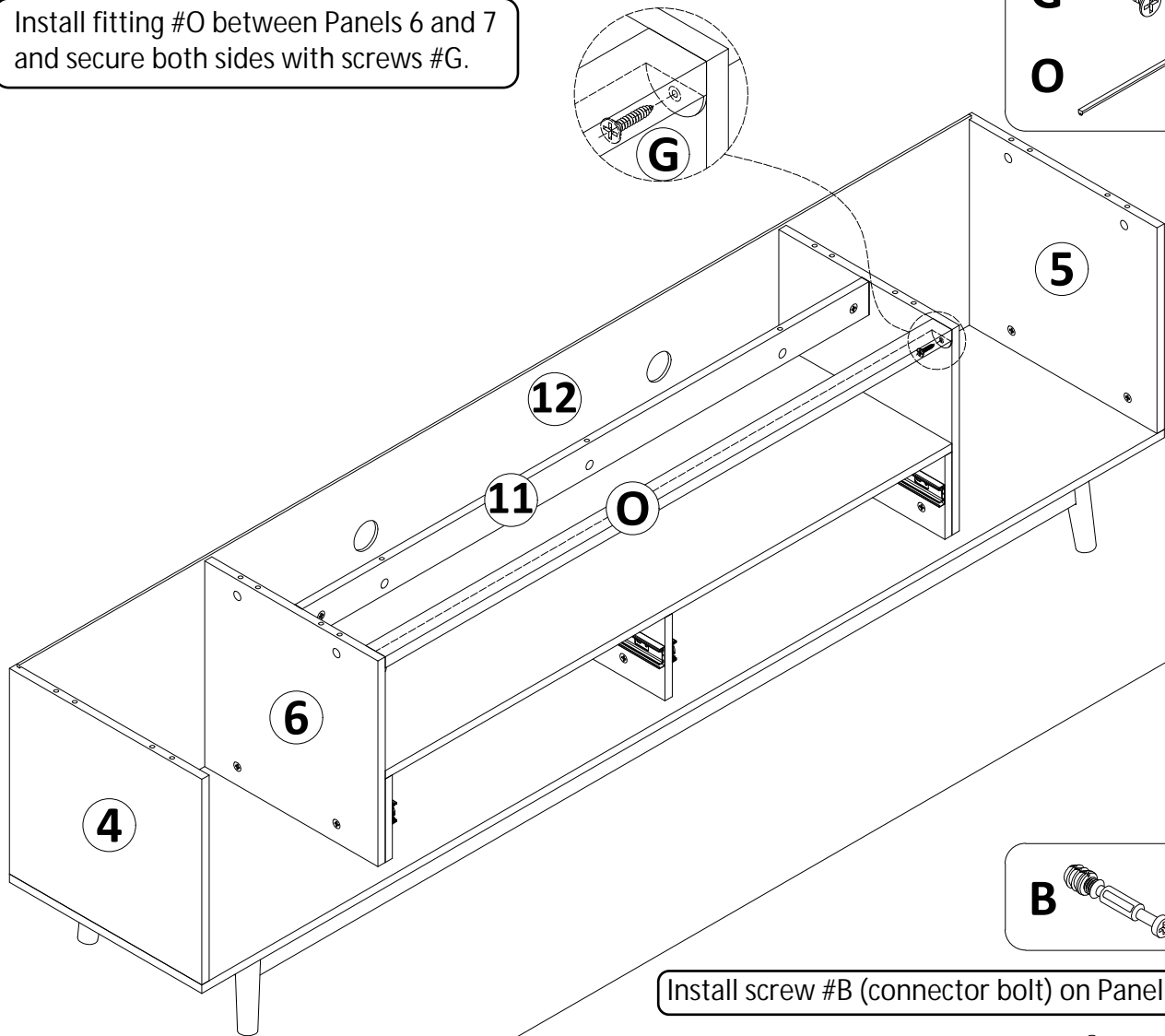


Snap the Panel 12 into the groove.

Step 15

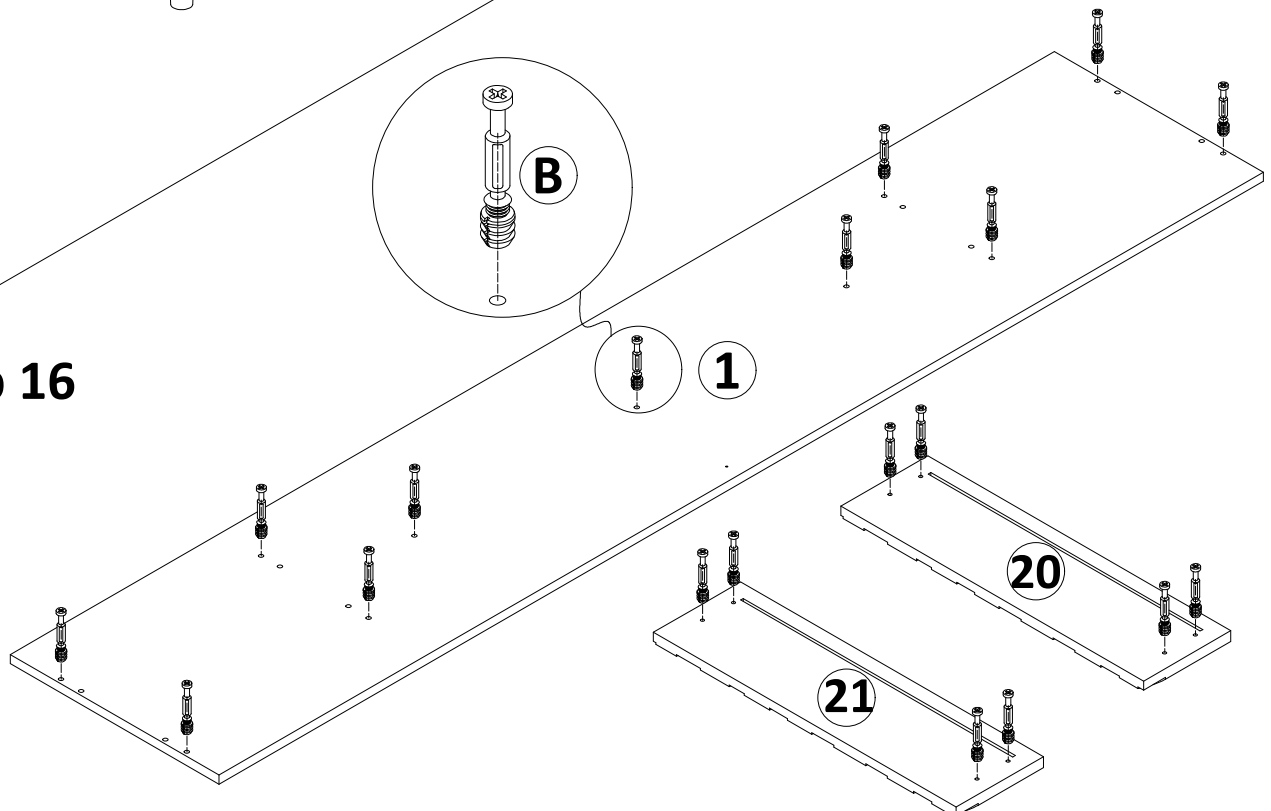
Install fitting #O between Panels 6 and 7 and secure both sides with screws #G.

G  **X2**
O  **X1**



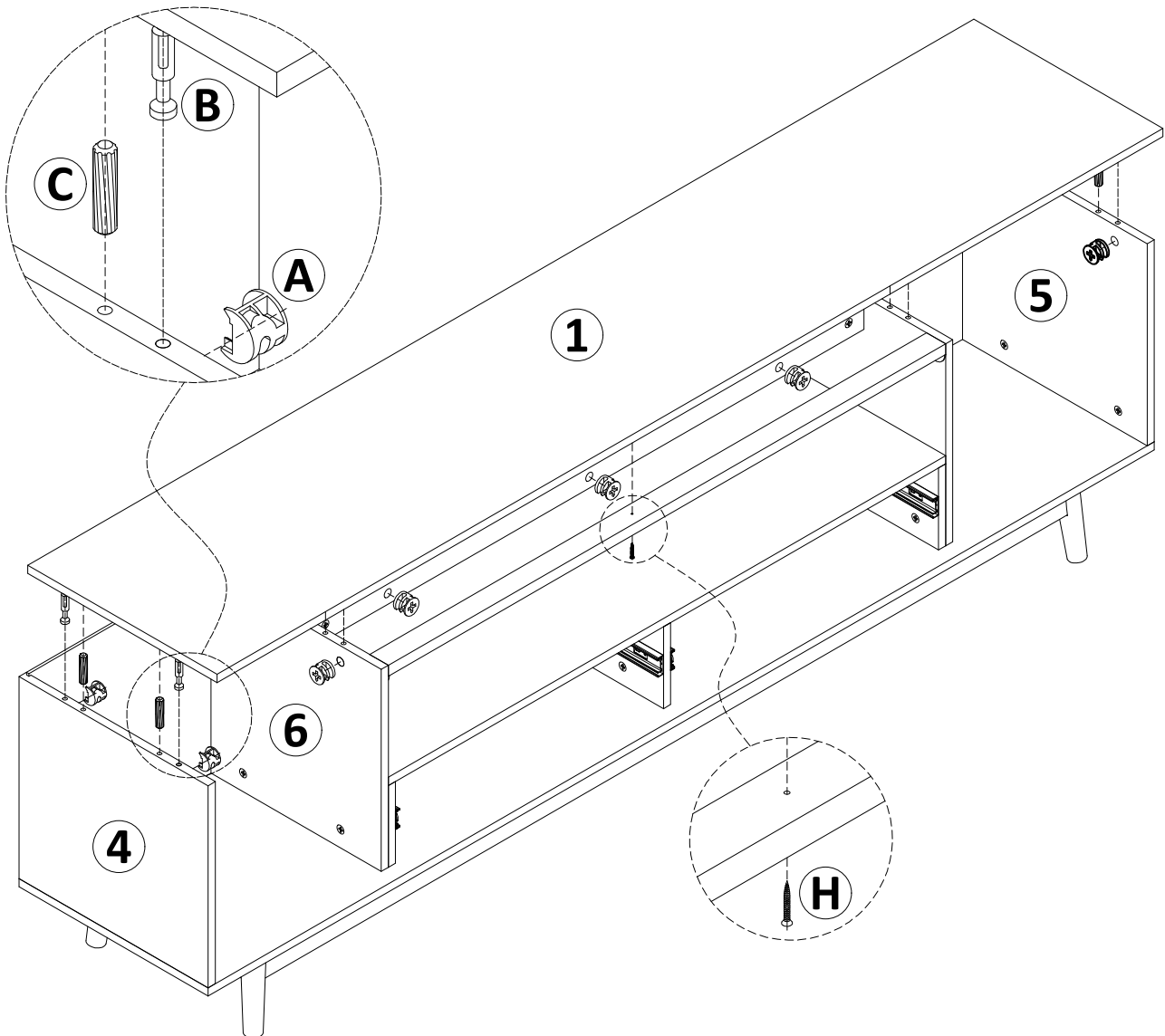
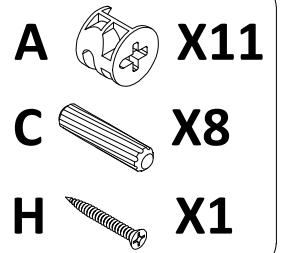
Install screw #B (connector bolt) on Panel 1/20/21.

Step 16



Step 17

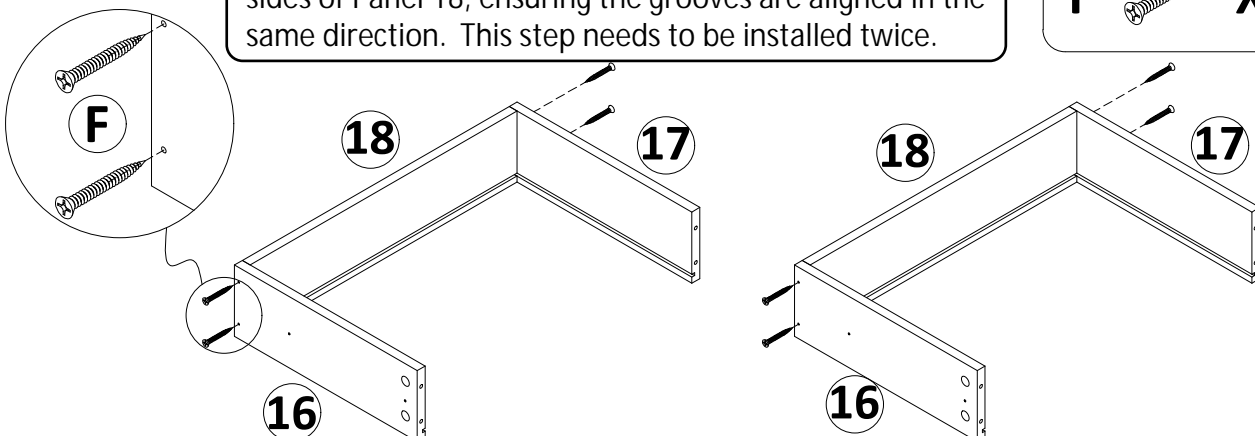
1. Insert #C (wood dowel pins) into the pre-drilled holes and attach Panel 1. Attach #A (eccentric cam lock) to the corresponding holes and tighten to lock.
2. Thread #H (screw) into #O to permanently secure Panel 1.



Step 18

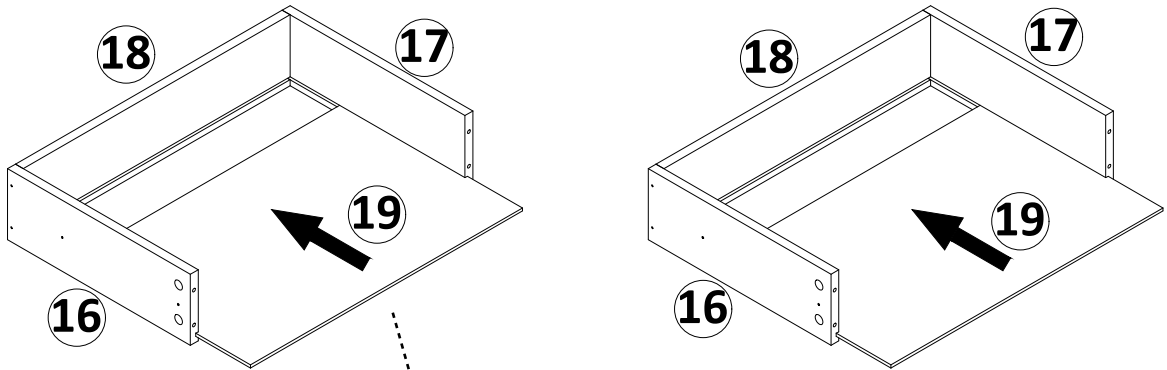
Drawer Assembly:

Using #F (screws) secure Panel 16 and Panel 17 to both sides of Panel 18, ensuring the grooves are aligned in the same direction. This step needs to be installed twice.



Step 19


Snap Panel 19 into the groove.

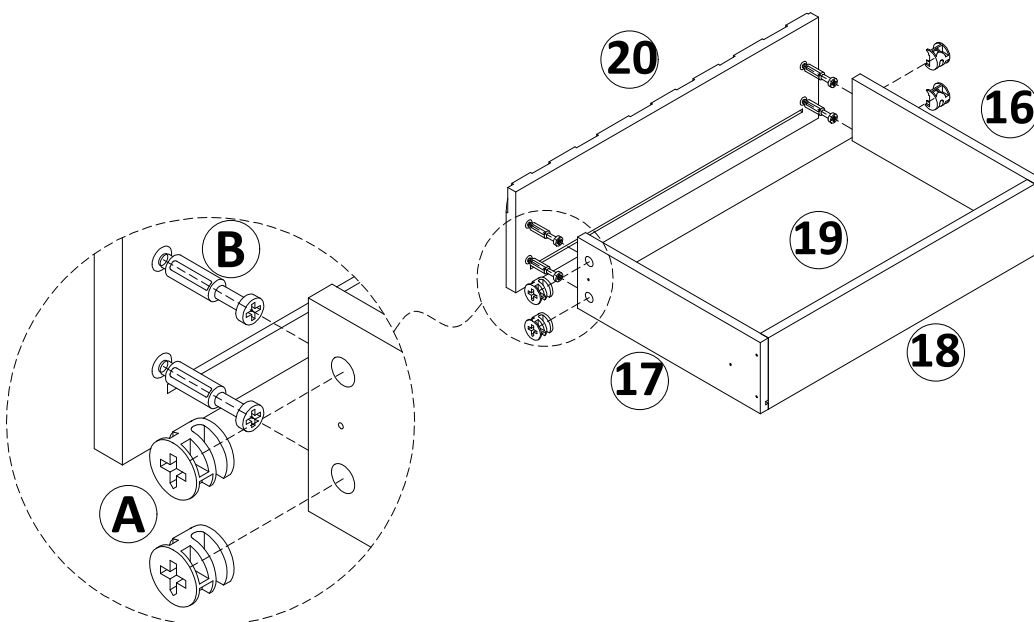


Push Panel 19 in. This step needs to be done twice.

Step 20

Install Panel 20 (drawer front) to the pre-drawer assembly and secure it by screwing #A (eccentric cam lock) into the side mounting holes.

A  **X4**

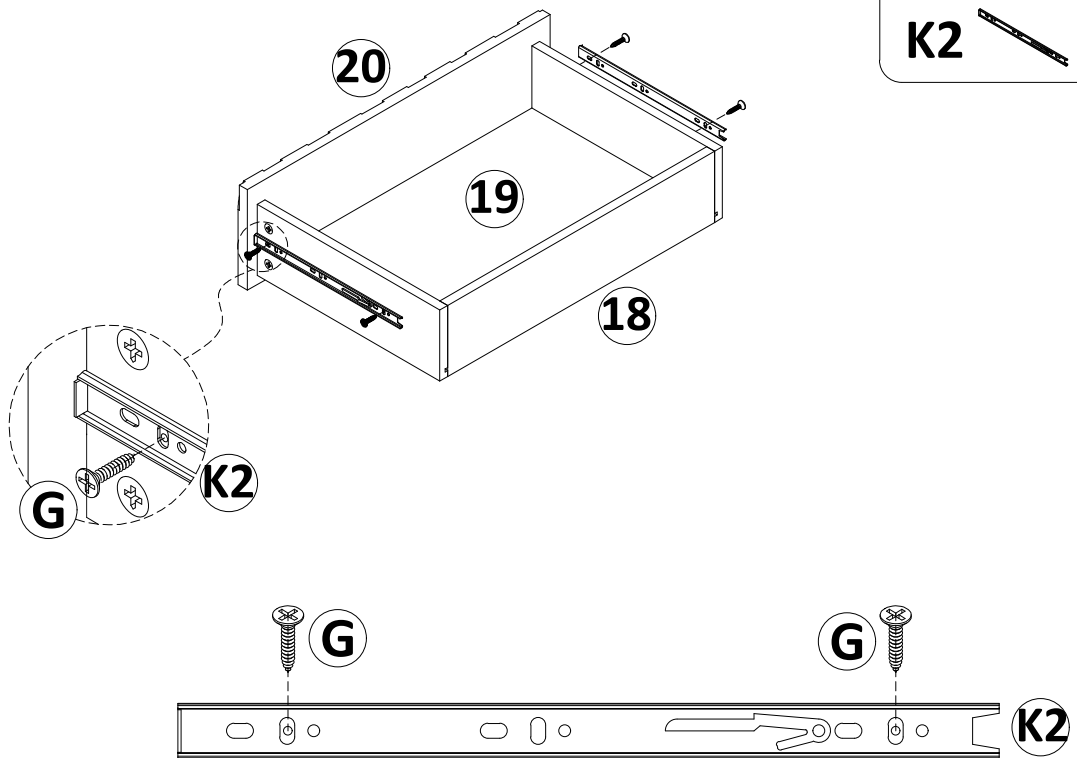


Step 21

Attach the K2 (inner rails) to both sides of the drawer using the #G (screws).


G  **X4**

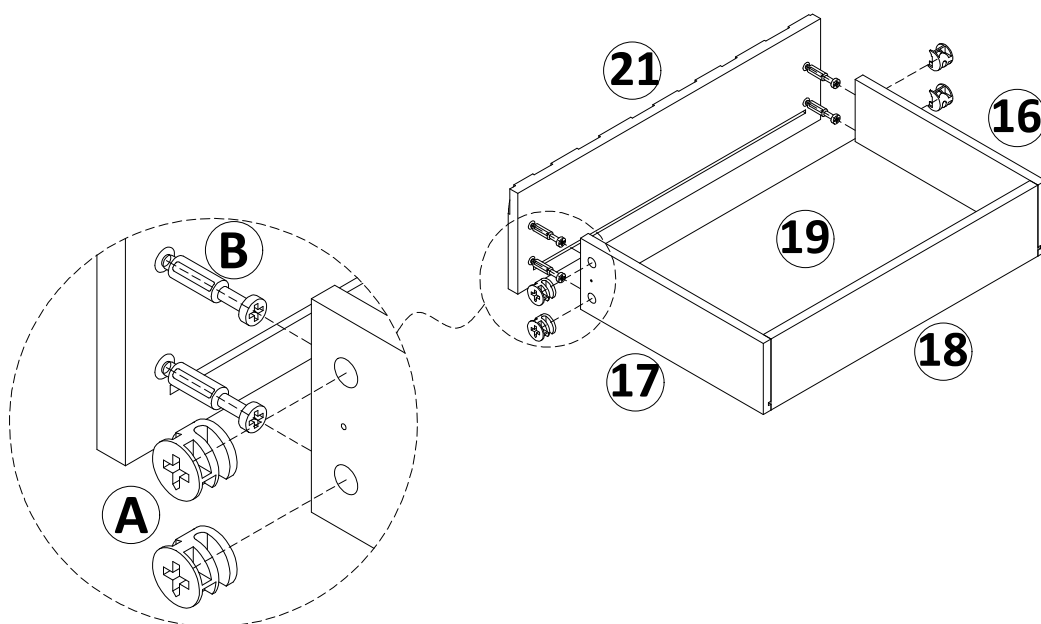
K2  **X2**



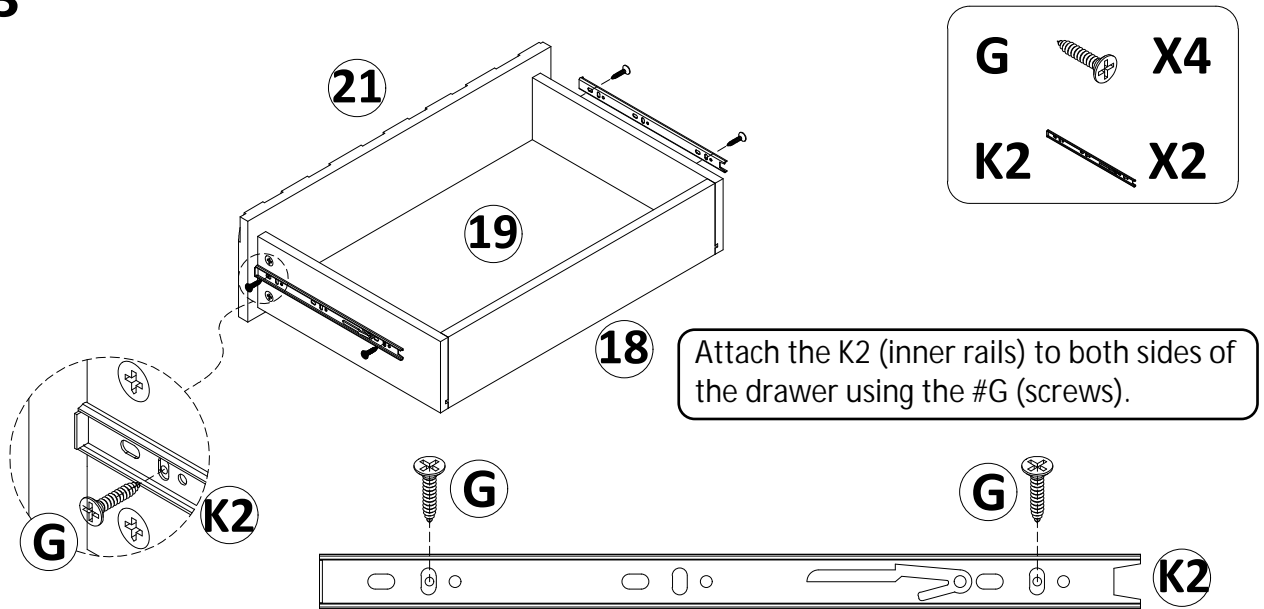
Step 22

Install Panel 21 (drawer front) to the pre-drawer assembly and secure it by screwing #A (eccentric cam lock) into the side mounting holes.

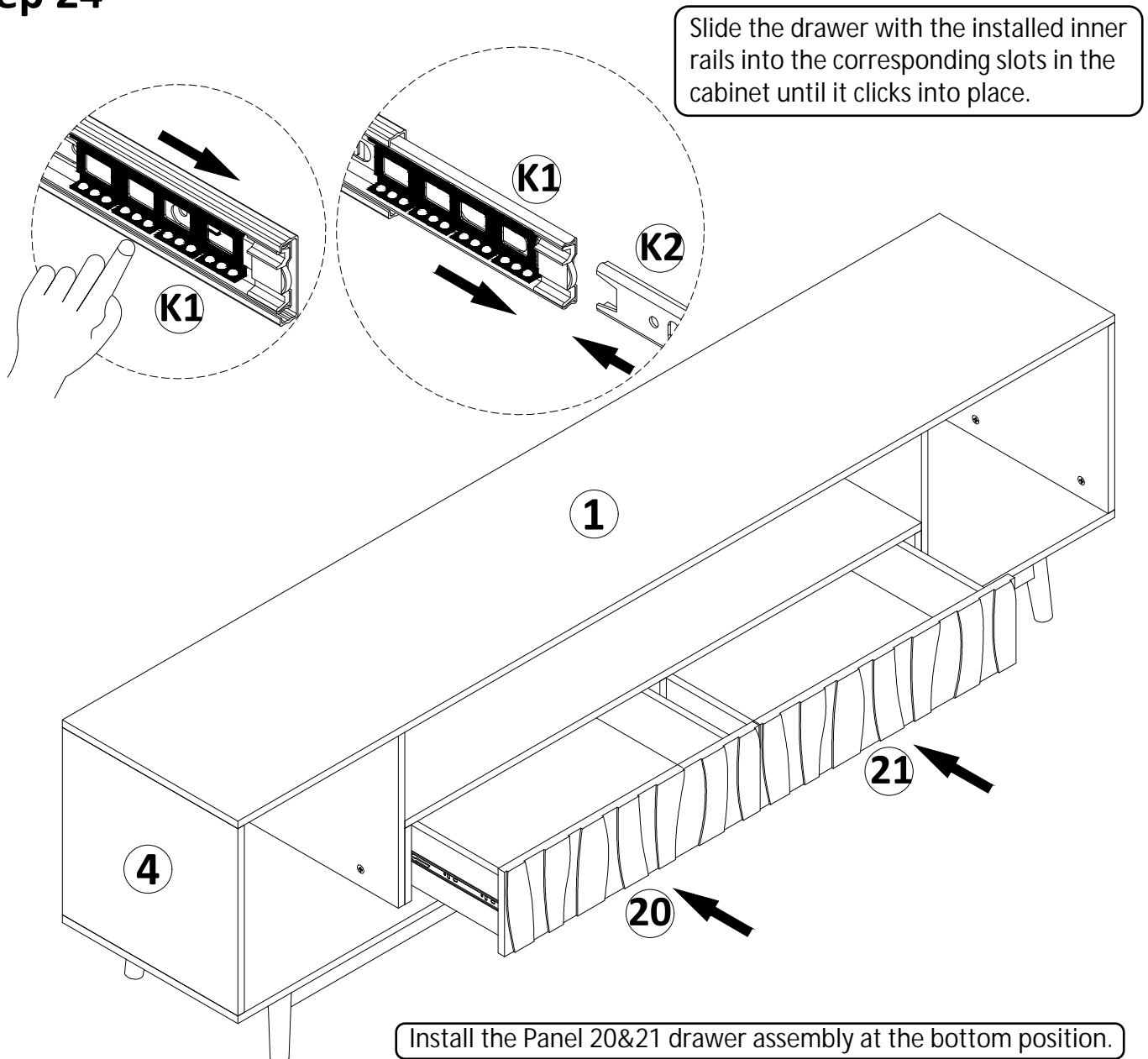
A  **X4**



Step 23

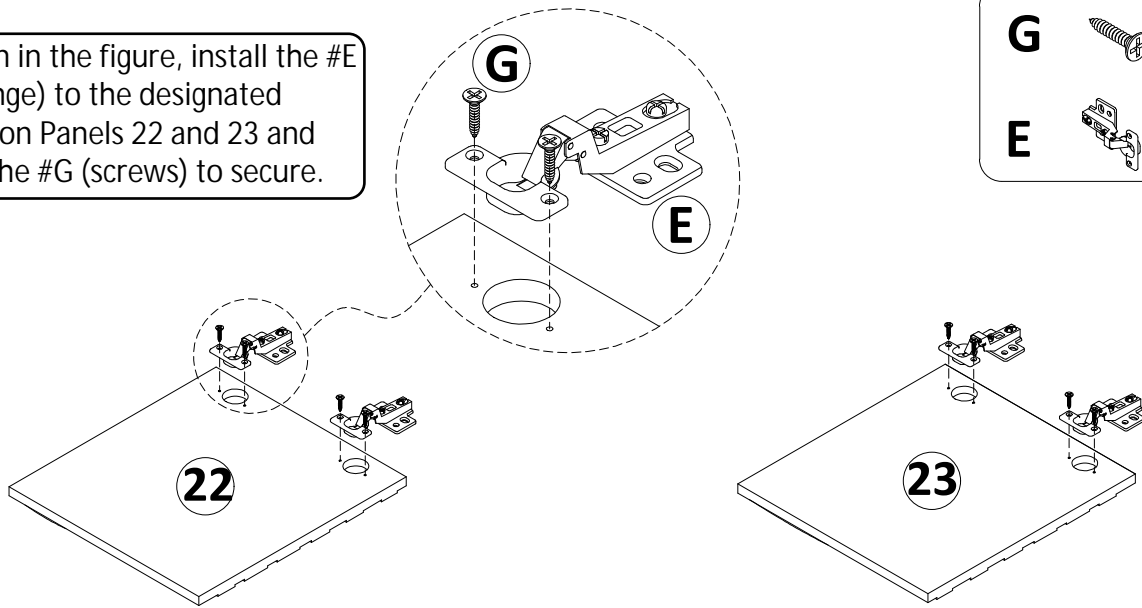


Step 24



Step 25

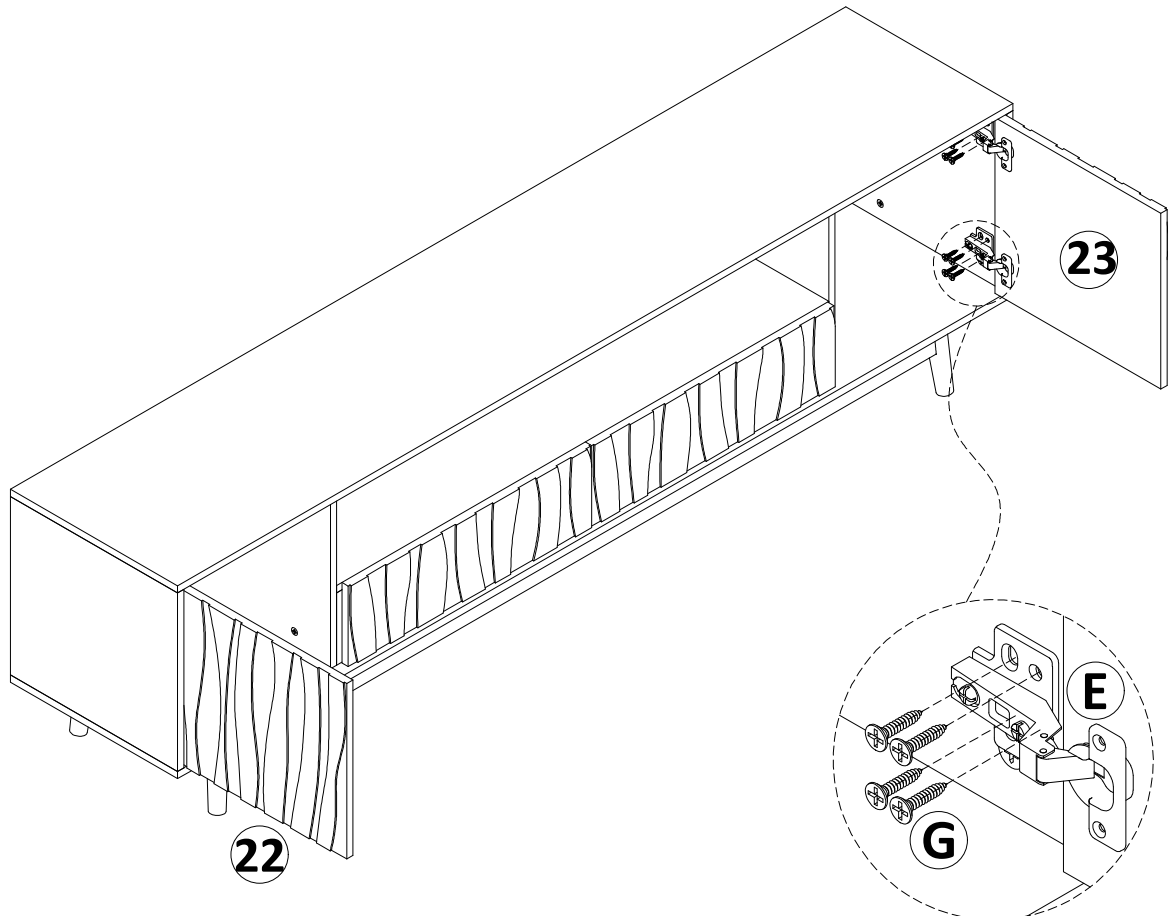
As shown in the figure, install the #E (door hinge) to the designated position on Panels 22 and 23 and tighten the #G (screws) to secure.



Step 26

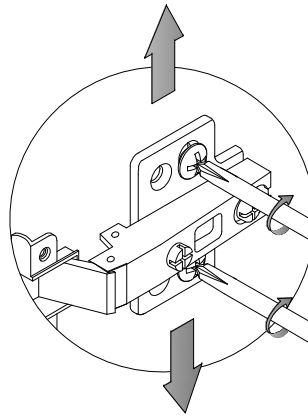
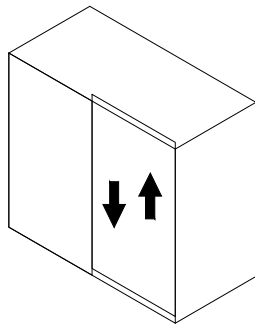
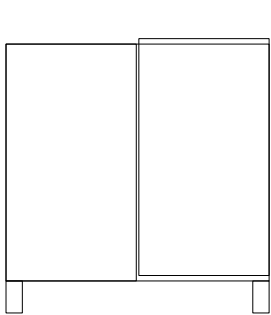
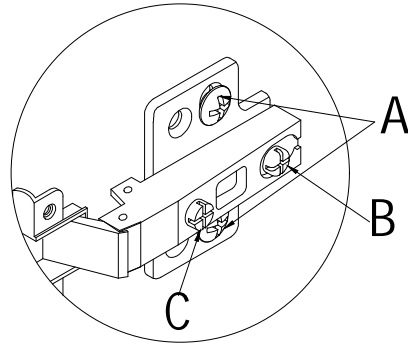
As shown, attach Panels 22 and 23 to the cabinet using #E (door hinges) and tighten with #G (screws). Please install Panels 22 and 23 as shown in the figure.

G X16



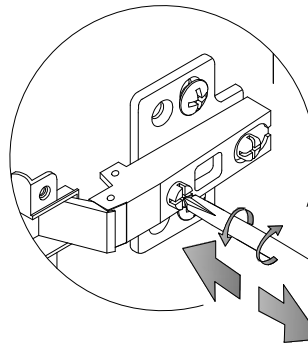
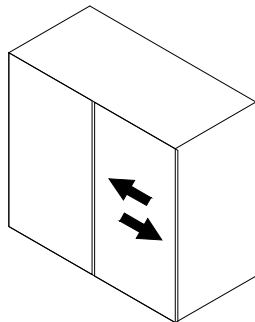
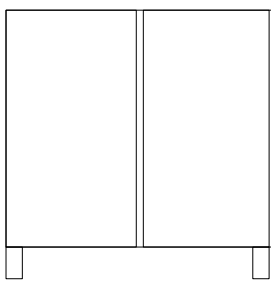
Step 27

Hinge Adjustment Diagram



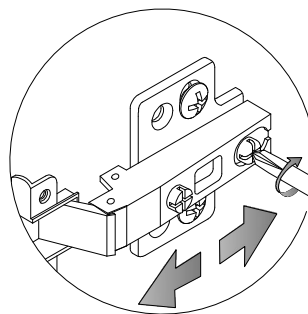
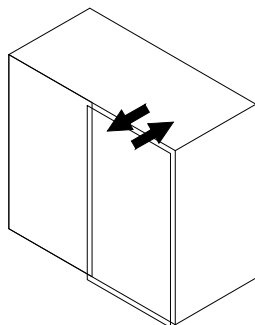
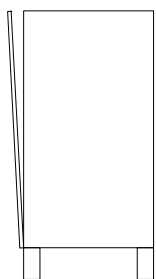
To adjust the vertical height.

Loosen the four screws labeled 'A' on both hinges. Two of these screws are usually in slotted holes, allowing for adjustment up or down by a few mm. After making the adjustment, tighten the screws back into place.



To adjust depth.

Loosen screw 'B' and adjust the door. If the door cannot be adjusted, loosen screw 'C' and try adjusting again. Once adjusted, tighten screws 'B' and 'C'.



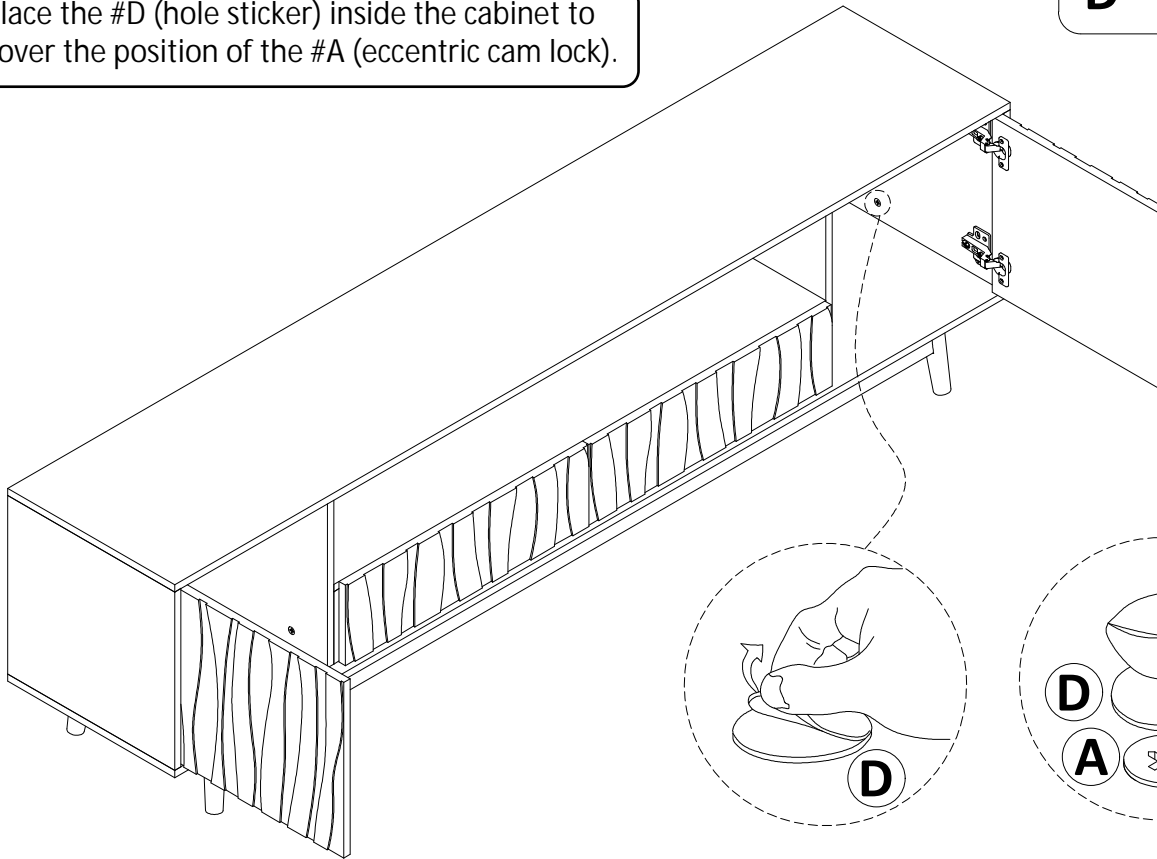
To adjust side ways.

After loosening the 'C' screw, you can adjust the distance from the door to the cabinet. After the adjustment is completed, tighten the 'C' screw again.

Step 28

Place the #D (hole sticker) inside the cabinet to cover the position of the #A (eccentric cam lock).

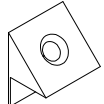
D  **X16**

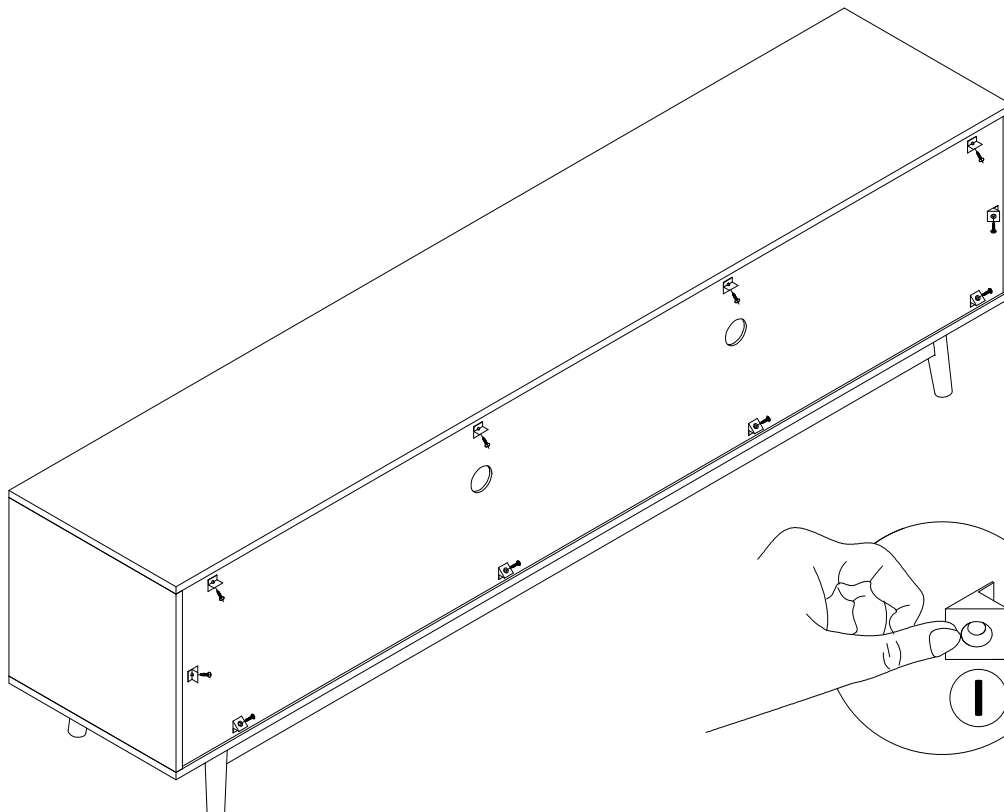


Step 29

As shown in the picture, use #G (screws) to fix the #I (backplate bracket) accessories to the backplate.

G  **X10**

I  **X10**



Assembly Completed

