

Care and Maintenance

Dust with a soft, dry cloth. Do not use abrasive cleaner. To clean mirror, spray a small amount of glass cleaner onto a lint-free cloth and wipe mirror clean.

Notice






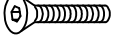



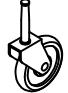
* Please make sure that you have all parts indicated before you begin assembly of this item.

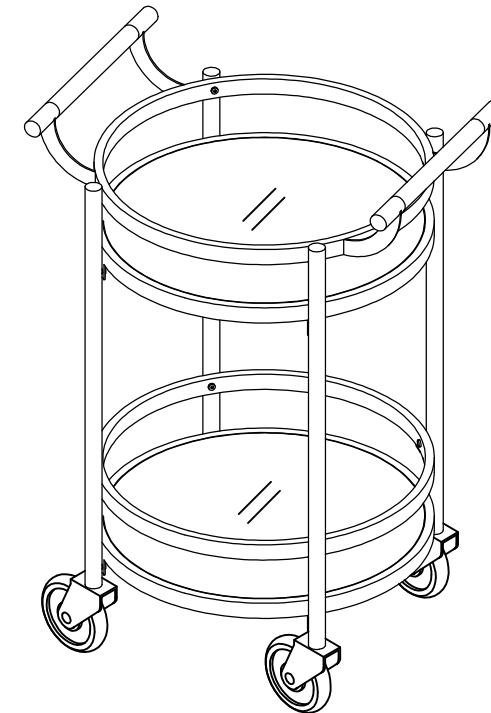
* This item should be assembled on a soft surface to prevent scratching the finish during assembly

* This item may require periodic tightening

Product Dimensions: 23.43"L x 19.69"D x 34.06"H

Part List and Hardware List

PIECE	DESCRIPTION	PICTURE	QUANTITY	PIECE	DESCRIPTION	PICTURE	QUANTITY
A	Top Handle Frame		1X	F	Allen wrench		1X
B	Ring with Ear Tabs		2X	G	Bolt 1/4" x 12mm		8X
C	Ring		1X	H	Bolt 1/4" x 18mm		8X
D	Leg		4X	I	Glass Holder		8X
E	Glass		2X	J	Wheel		4X



WEIGHT CAPACITY: 22LBS

Preparation

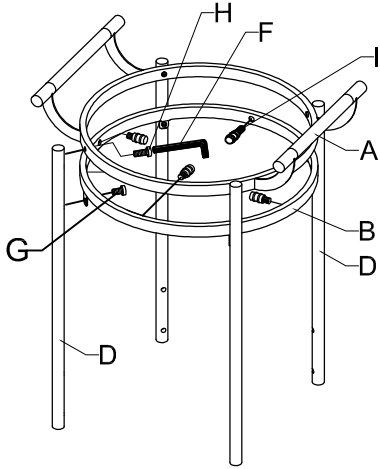
Before beginning assembly of product, make sure all parts are present. Compare parts with package contents list and hardware contents list.

If any part is missing or damaged, do not attempt to assemble the product.

Estimated Assembly Time: 30 minutes.

Tools Required for Assembly (included): Assembly Fininal

1



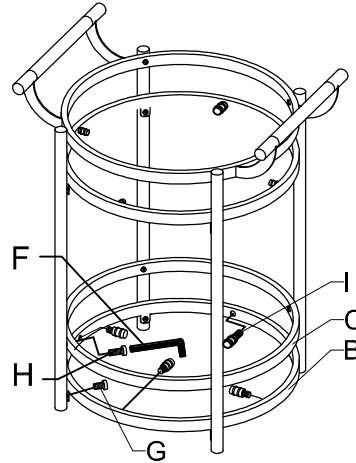
NOTE:

Please note there are drain holes in the ring. Please make sure the drain hole faces down in assembly.

Step 1

Assemble top handle frame (A) and ring with ear tabs (B) to leg (D) with bolt (H) and bolt (G) respectively by use of Allen wrench (F) as shown in drawing. Screw in glass holder (I) into the threaded holes on ring with ear tabs (B) as shown in drawing.

2



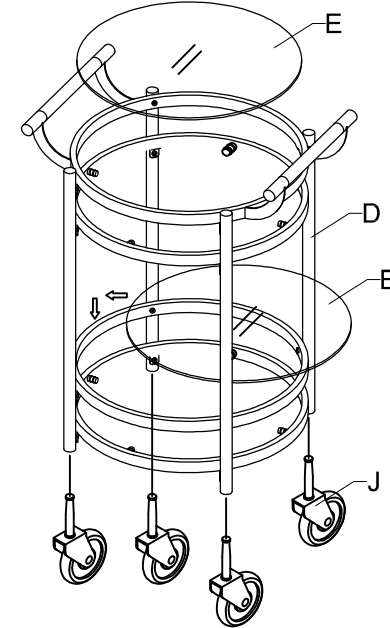
NOTE:

Please note there are drain holes in the ring. Please make sure the drain hole faces down in assembly.

Step 2

Assemble ring (C) and ring with ear tabs (B) to leg (D) with bolt (H) and bolt (G) respectively by use of Allen wrench (F). Screw in glass holder (I) into the threaded holes on ring with ear tabs (B). Then tighten up all the bolts (H) and (G) by use of Allen wrench (F) now.

3



Step 3

Insert wheel (J) into the leg (D) as shown in drawing and then install glass (E) in each frame as show in drawing.