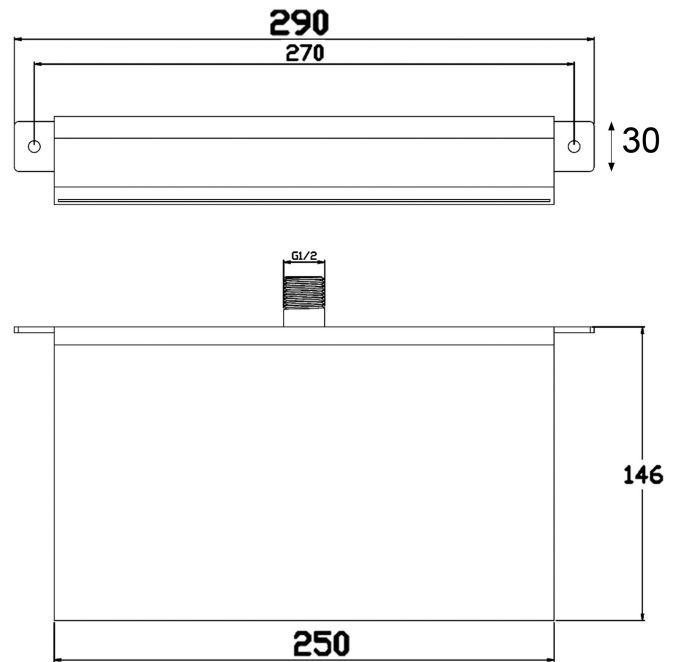


CUSTOMER DATA SHEET - SHOWERS

SALES CODE: PN300

DESCRIPTION: Shower / Bath Waterfall Filler



PRODUCT DIMENSIONS

Length(mm)	Width (mm)	Height (mm)	Depth (mm)	Nett Wgt Kg
	290	30	146	2.53

PACKAGING DIMENSIONS

Length (mm)	Width (mm)	Depth (mm)	Gross Wgt Kg
340	255	75	2.53

PACKAGING DATA

Box Colour	White Cardboard Box		
Box Qty	1	Label Colour	White Label
Label Size	100 x 50	Label Qty	2

OUTER BOX DIMENSIONS (If Applicable)

Length (mm)	Width (mm)	Height (mm)	Depth (mm)	Gross Wgt Kg
				25
Barcode	5055369025343			

PRODUCT DETAILS

Country of Origin	China
Fitting Instruction	Yes
Product Material	Brass
Mount Type	Wall, Surface
Outlet Elbow Supplied	No
Easy Clean	
Head Included	Yes
Handset Included	No
Body Jets Included	Not Applicable
No of Body Jets	
Operating Pressure (bar)	0.5
Valve/Cartridge Type	

Flow Rates (L/min)	0.1 bar	N/A	0.5 bar	N/A	1 bar	N/A	2 bar	N/A	3 bar	N/A
TMV2 Approved	No		Approval No.	N/A						
TMV3 Approved	No		Approval No.	N/A						
WRAS Approved	No		Approval No.	N/A						
Head Function	Single									
Handset Function										
Body Jet Info	Not Applicable									
Pipe Size										
Pipe Centres	N/A									
Colour/Finish	Chrome									
Hose Included										