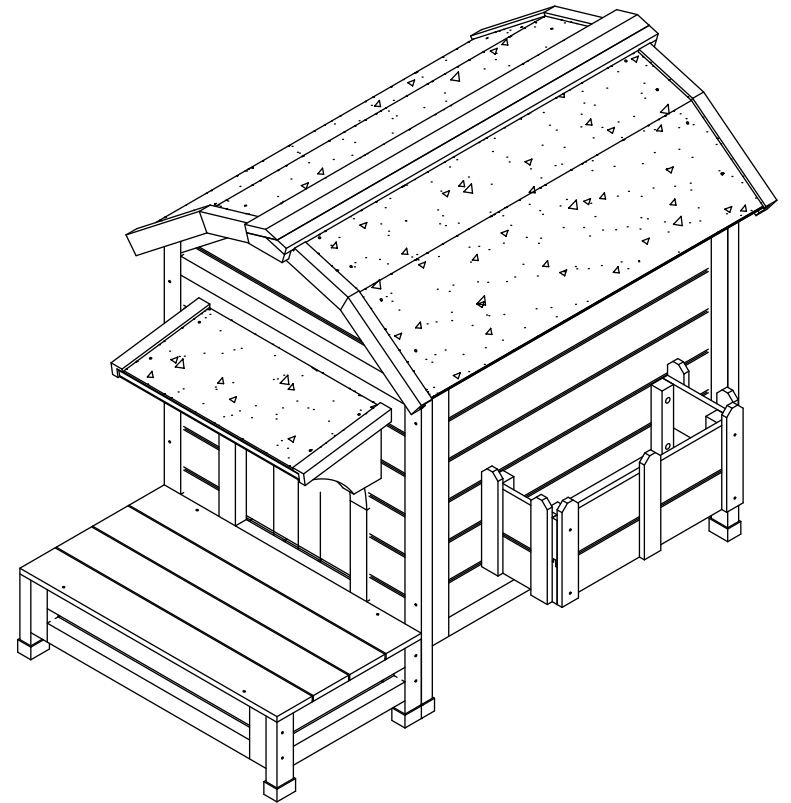


ASSEMBLY INSTRUCTIONS

PLEASE RETAIN THESE INSTRUCTIONS FOR FUTURE USE



TIME ASSEMBLE : 30-60 minutes



NUMBER OF PERSON: 2

Greeting!
So here I am

your new pet house

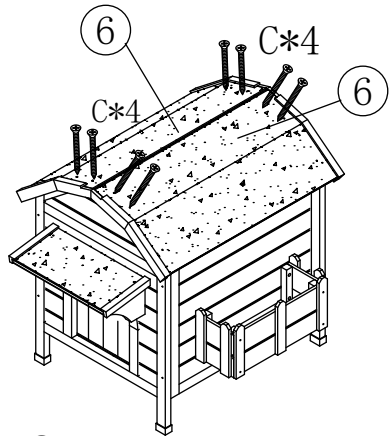
- ▶ Thanks for letting me be a home for your furry friend(s).
- ▶ They'll be cozy and protected from the weather when they're with me.
- ▶ Just remember to take care of me too, so I can last a long time.
- ▶ When you first get me, you might smell a funny smell. Don't worry, it's not dangerous, just let me air out for a few days and the smell will go away.
- ▶ Be careful when you're putting me together because some of my parts can be sharp or heavy.
- ▶ Make sure to start by loosely putting in screws, and then tighten them all before using me.
- ▶ If you notice anything broken or missing, stop using me until it's fixed. and please follow the instructions from the maker so your warranty stays good.
- ▶ You can use me both inside and outside, but if you put me outside, make sure to give me an extra cover to keep me from getting moldy.
- ▶ I like to be on a level surface so my doors work smoothly.
- ▶ Keep me away from fire and dangerous chemicals.
- ▶ Clean me with a damp, soapy sponge without corrosive agents.
- ▶ Dry me with a soft, clean, dry cloth.
- ▶ Do not use a high pressure cleaner on me.
- ▶ Do not use bleach, acids, solvents, or abrasive cleaners on me.
- ▶ Check that all my bolts, screws, and knobs are tight every 90 days.



HELP CENTER

- ▶ Your full satisfaction is our FIRST priority
- ▶ We hope you enjoy it and have a good shopping experience.
- ▶ We are committed to resolve any situation when it does not meet your expectations.
- ▶ Please feel free to contact us through order detail page, we will get back to you and solve them within 24 hours.

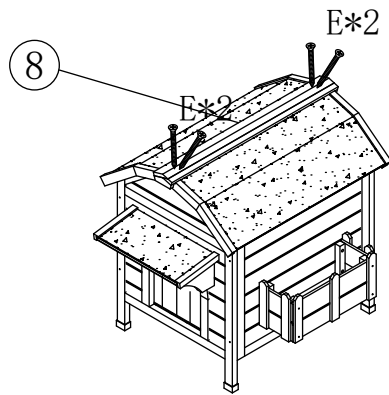
C M3.5*35 8PCS



Fix ⑥x2 Main house roof on cage with screws.

STEP 8

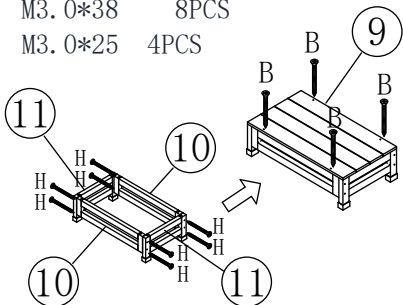
E M3.0*23 4PCS



Fix ⑧ Ridge cap on the cage with screws.

STEP 9

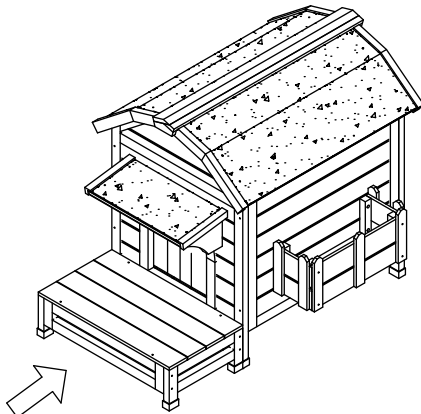
H M3.0*38 8PCS
B M3.0*25 4PCS



Fix ⑩x2 Front and back panel of porch and ⑪x2 Left and right panel of porch with screws.

Fix ⑨ Front porch panel with screws.

STEP 10



Attach the porch together with the main house.

STEP 11

Kindly remainder: Please screw the screws gently when assemble.
After you washing the wooden bottom, please put it in a cool place for air drying, it should not be exposed to the sun, as the wood boards structure will be damage from expanding with heat and contracting with cold.

ASSEMBLY INSTRUCTION

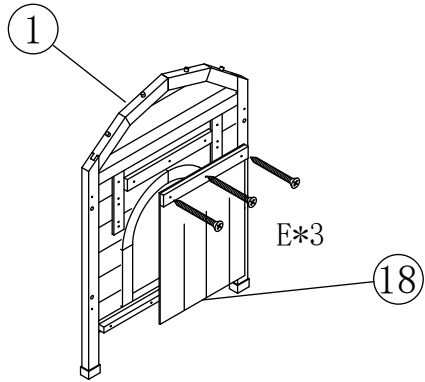
Tool Required: Electric Drill Phillips Screwdriver

① Front panel	② Back panel	③ Left panel
④ Right panel	⑤ Bottom panel	⑥*2 Main house roof
⑦*2 Main house roof	⑧ Ridge cap	⑨ Front porch panel
⑩*2 Front and back panel of porch	⑪*2 Left and right panel of porch	⑫ Front panel of planter
⑬ Left panel of planter	⑭ Right panel of planter	⑮ Bottom panel of planter
⑯*2 Front roof supporter	⑰ Front roof	⑱ Door curtain

Parts Description

	A M6*50	4PCS
	B M3.0*25	6PCS+1
	C M3.5*35	20PCS+1
	D M3.0*30	4PCS+1
	E M3.0*23	7PCS+1
	F M3.5*45	8PCS+1
	G	2PCS
	H M3.0*38	12PCS+1
	I	2PCS
	J M3.0*12	8PCS+1

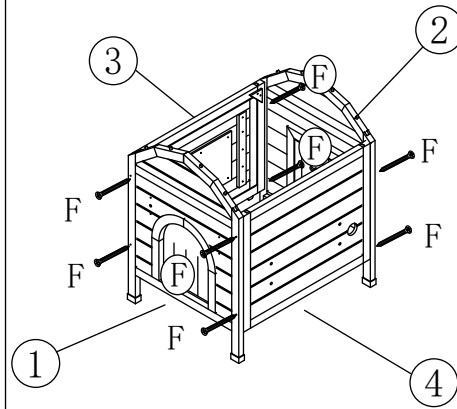
E M3.0*23 3PCS



Fix ⑱ Door curtain on ① Front panel with screws.

STEP 1

F M3.5*45 8PCS



Fix ① Front panel, ② Back panel, ③ Left panel, ④ Right panel together with screws.

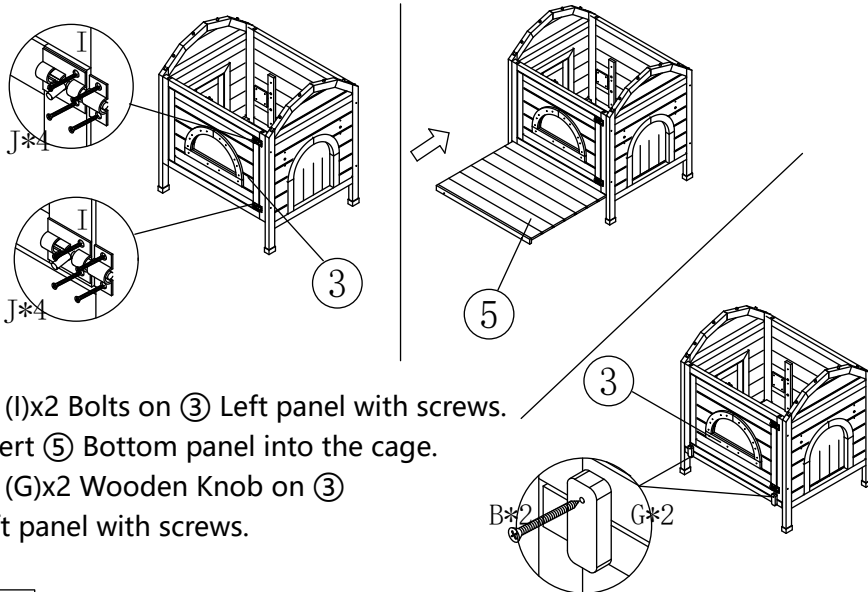
STEP 2

J M3.0*12 8PCS

I 2PCS

B M3.0*25 2PCS

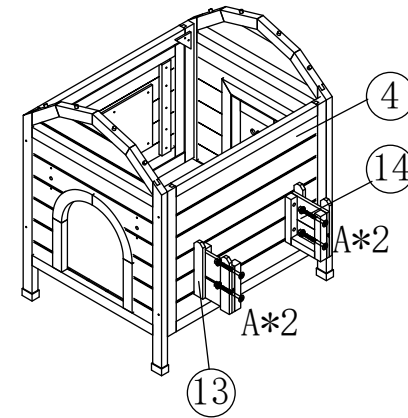
G 2PCS



Fix (I)x2 Bolts on ③ Left panel with screws. Insert ⑤ Bottom panel into the cage. Fix (G)x2 Wooden Knob on ③ Left panel with screws.

STEP 3

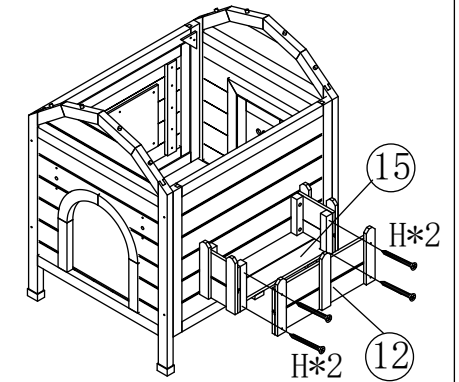
A M6*50 4PCS



Fix ⑬ Left panel of planter and ⑭ Right panel of planter on ④ Right panel with screws.

STEP 4

H M3.0*38 4PCS

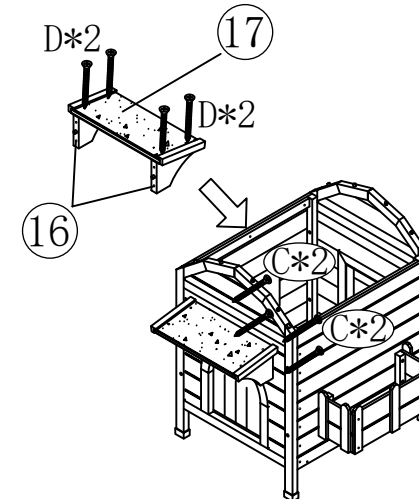


Fix ⑫ Front panel of planter with screws. Insert ⑮ Bottom panel of planter.

STEP 5

C M3.5*35 4PCS

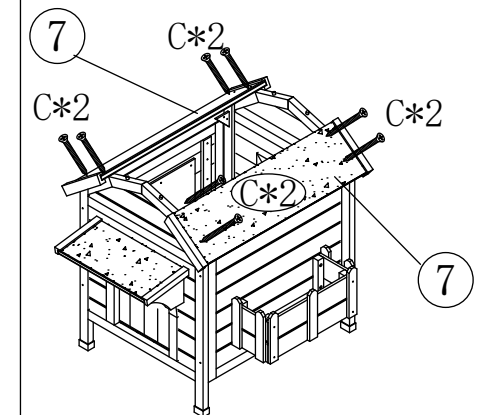
D M3.5*30 4PCS



Fix ⑰ Front roof on ⑯x2 Front roof supporter, and Fix it on cage together with screws.

STEP 6

C M3.5*35 8PCS



Fix ⑦x2 Main house roof on cage with screws.

STEP 7