

# *ASSEMBLY INSTRUCTIONS*



*BAR*  
*UNIT*

06/31/2022

# ASSEMBLY INSTRUCTIONS

## ASSEMBLY TIPS:

1. Remove hardware from box and sort by size.
2. Please check to see that all hardware and parts are present prior to start of assembly.
3. Please follow attached instructions in the same sequence as numbered to assure fast & easy assembly.



## WARNING!

1. Don't attempt to repair or modify parts that are broken or defective. Please contact the store immediately.
2. This product is for home use only and not intended for commercial establishments.



ASSEMBLY TIME 80 MINUTES

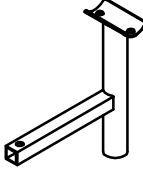
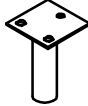


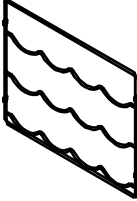
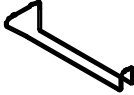

## PARTS IDENTIFICATION

B1 : ACRYLIC PANELS, MIDDLE PANELS, DRAWER, METAL

A	LEFT FRAME		1PC
B	RIGHT FRAME		1PC
C	FRONT RIGHT FRAME		1PC
D	FRONT LEFT FRAME		1PC
E	TOP GLASS SUPPORT LEG		5PCS
F	FOOTREST SIDE LEG		2PCS


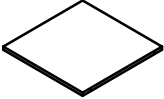

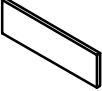



# ASSEMBLY INSTRUCTIONS

## PARTS IDENTIFICATION

G	FOOTREST MIDDLE LEG		1PC
H	BOTTOM LEG		5PCS
I	FOOTREST MIDDLE LEG SUPPORT		1PC
J	FOOTREST PLATE		2PCS
K	BOTTLE RACK		2PCS
L	GLASS HOLDER		4PCS
M	LEFT PANEL		1PC

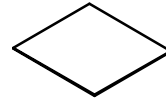
# ASSEMBLY INSTRUCTIONS

## PARTS IDENTIFICATION

N	RIGHT PANEL		1PC
O	MIDDLE SHELF		1PC
P	BACK PANEL		1PC
Q	DRAWER FRONT PANEL		1PC
R	DRAWER BACK PANEL		1PC
S	DRAWER LEFT PANEL		1PC
T	DRAWER RIGHT PANEL		1PC

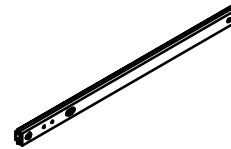
# ASSEMBLY INSTRUCTIONS

U DRAWER BOTTOM PANEL



1PC

V SLIDE RAIL



2PCS

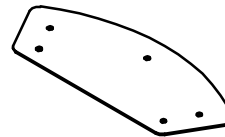
B2 : GLASSES, TOP/BOTTOM PANELS, FOOTREST

A1 FOOTREST BAR



1PC

A2 TOP GLASS



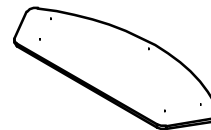
1PC

A3 SHELF GLASS



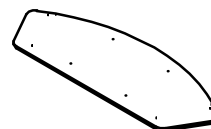
2PCS

A4 TOP PANEL



1PC





















A5 BOTTOM PANEL



1PC

# ASSEMBLY INSTRUCTIONS

## HARDWARE IDENTIFICATION

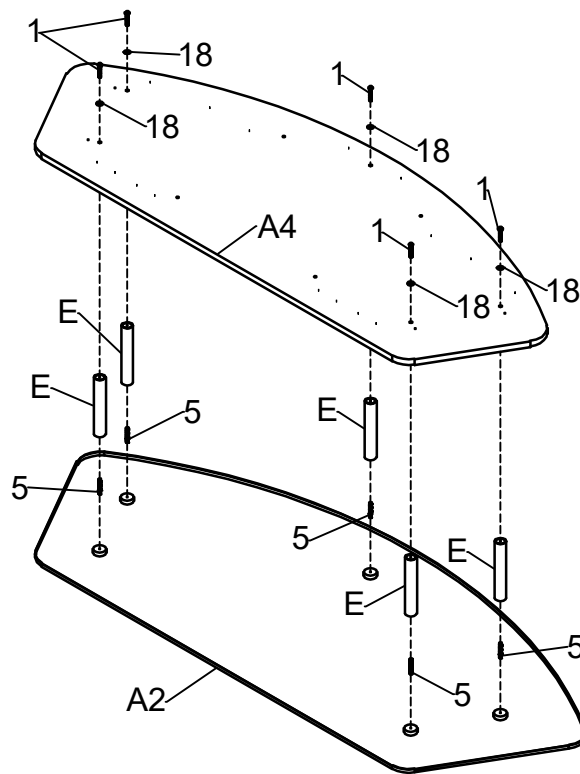
1	LONG BOLT ( $\phi$ 1/4" x 32mm SR)		11PCS	11	CAM LOCK ( $\phi$ 15mm)		6PCS
2	MEDIUM BOLT ( $\phi$ 1/4" x 28mm SR)		8PCS	12	SHELF GLASS BOLT		8PCS
3	BOLT ( $\phi$ 1/4" x 25mm SR)		1PC	13	WOOD DOWEL (8 x 30mm)		2PCS
4	SHORT BOLT ( $\phi$ 1/4" x 13mm SR)		29PCS	14	LEVELER (5/16" x 15mm BLK)		3PCS
5	HANGER BOLTS		5PCS	15	GLUE		1PC
6	SMALL BOLT ( $\phi$ 5/32" x 12mm)		2PCS	16	BOTTOM CAP ( $\phi$ 25mm BLK)		5PCS
7	LONG SCREW ( $\phi$ 4 x 38mm)		16PCS	17	ROUND CAP ( $\phi$ 25mm BLK)		3PCS
8	SMALL SCREW ( $\phi$ 4 x 12mm)		24PCS	18	WASHER ( $\phi$ 1/4" SR)		5PCS
9	SLIDE RAIL SCREW ( $\phi$ 3.5mm x 12mm)		6PCS	19	ALLEN WRENCH (4mm)		1PC
10	CAM BOLT (38mm)		6PCS	20	HEXAGONAL KEY		1PC

Hardware pack is located in 182235B1

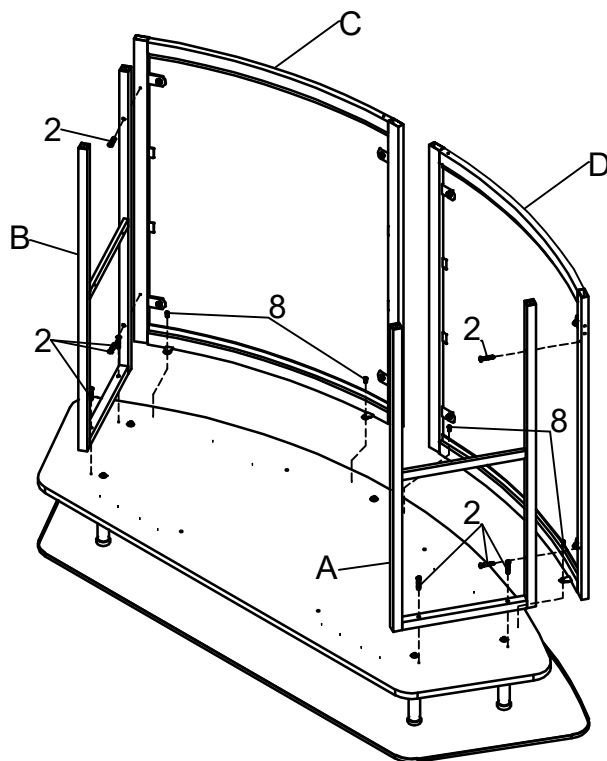
# ASSEMBLY INSTRUCTIONS

## STEP 1

Do not tighten until each step is completed or instructed.

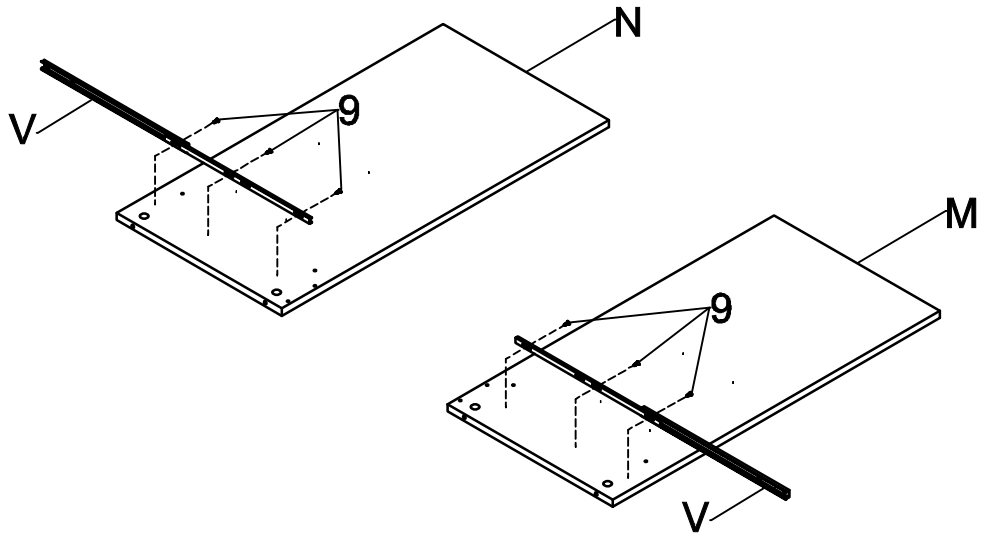


## STEP 2

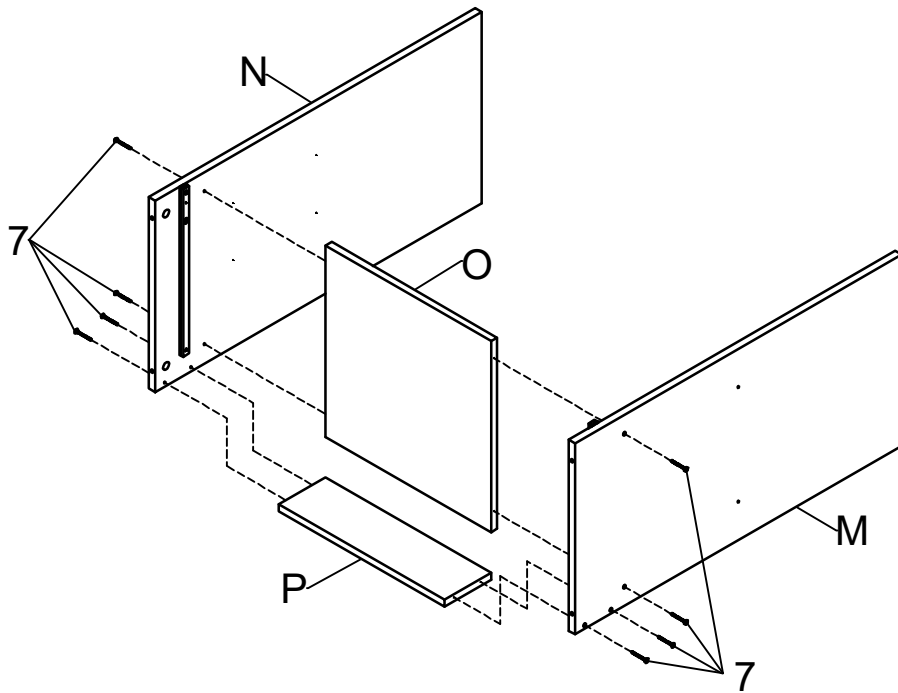


# ASSEMBLY INSTRUCTIONS

## STEP 3

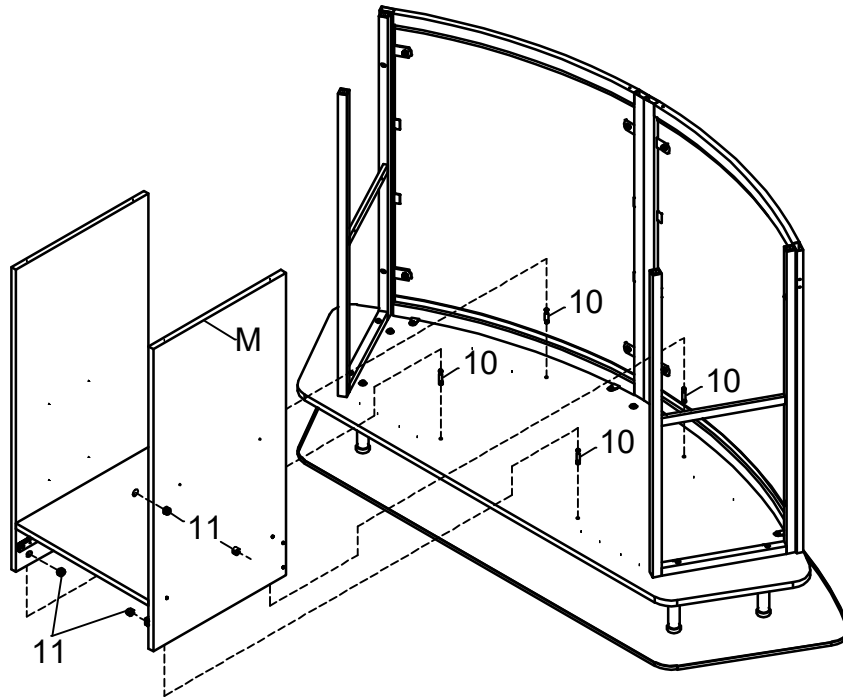


## STEP 4

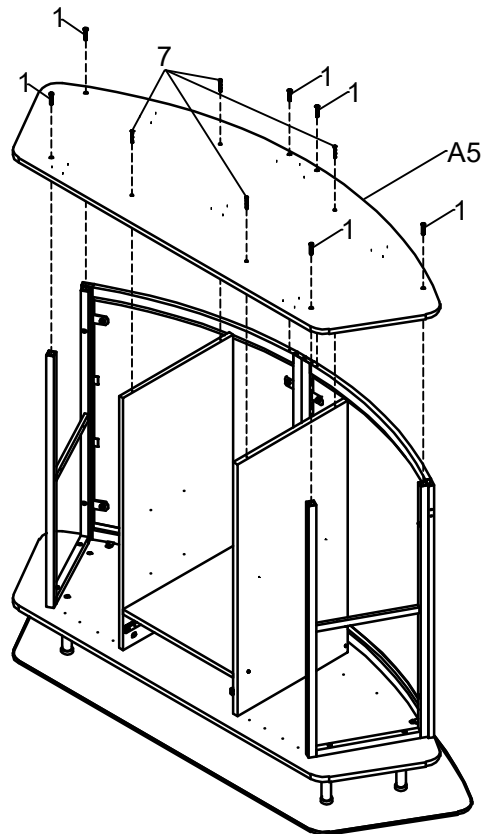


# ASSEMBLY INSTRUCTIONS

## STEP 5

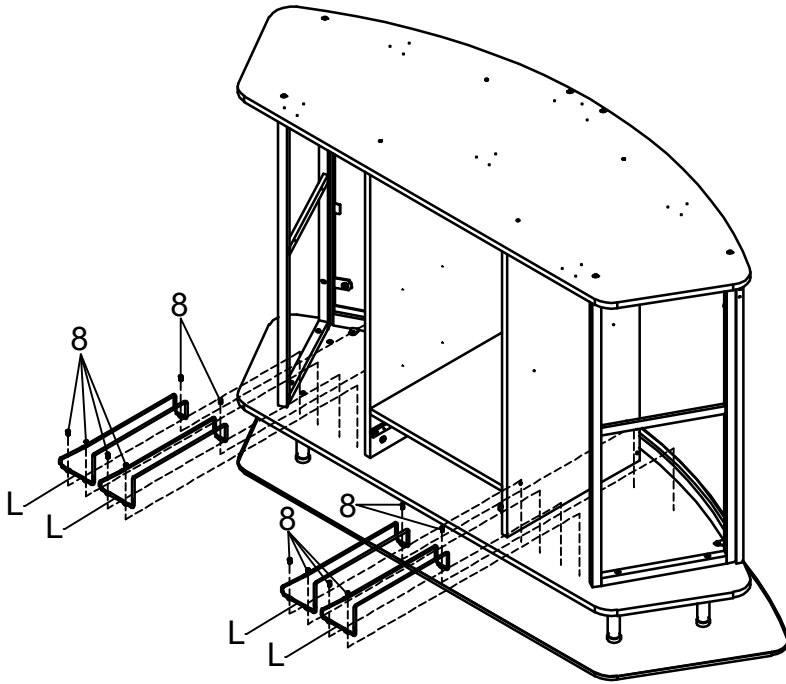


## STEP 6

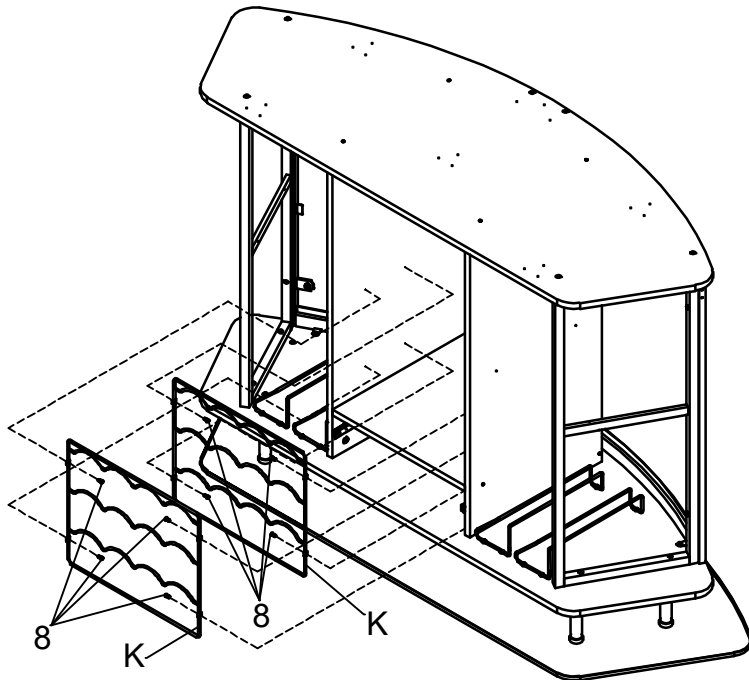


# ASSEMBLY INSTRUCTIONS

## STEP 7

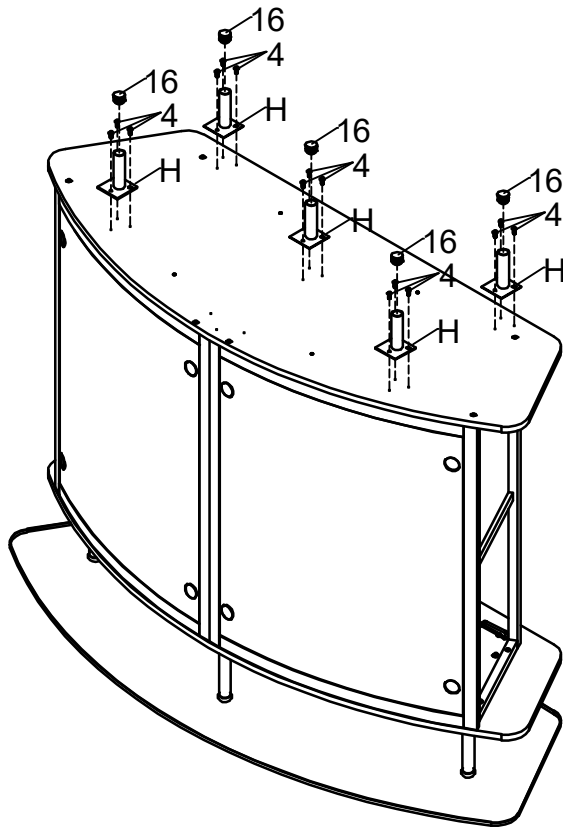


## STEP 8

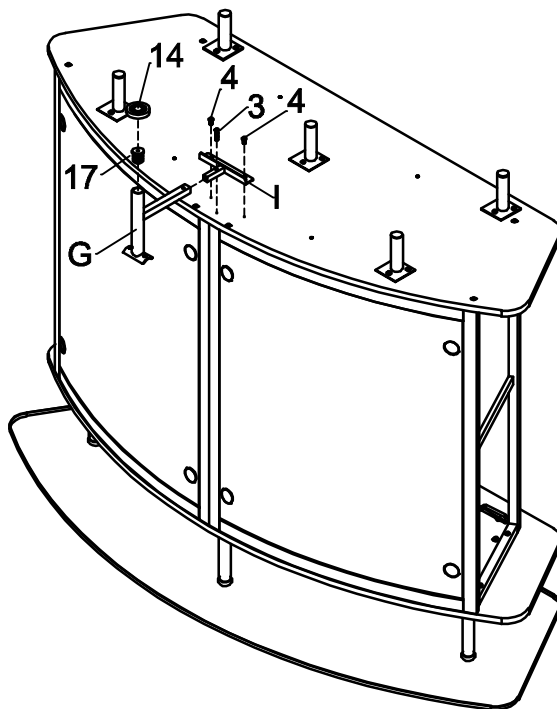


# ASSEMBLY INSTRUCTIONS

## STEP 9

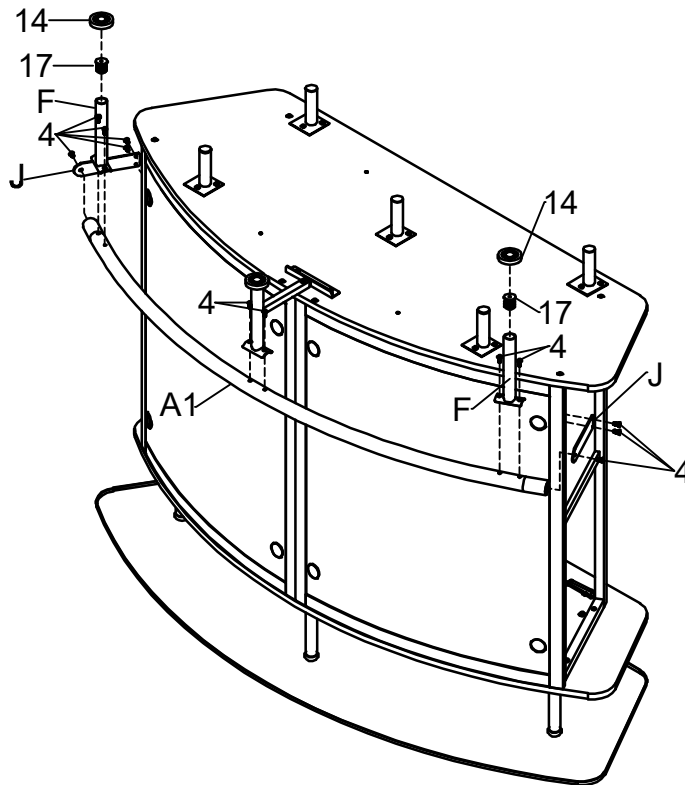


## STEP 10

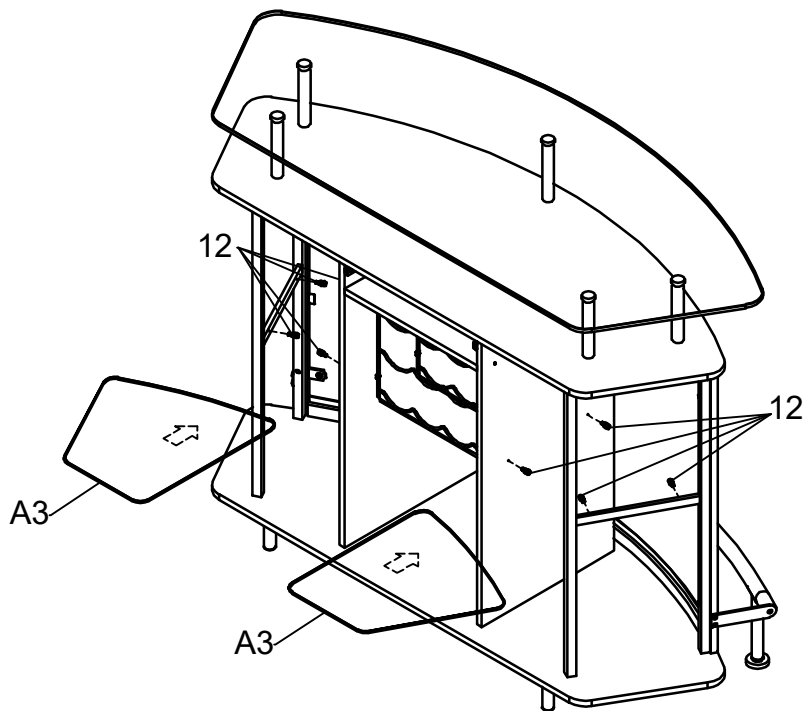


# ASSEMBLY INSTRUCTIONS

## STEP 11

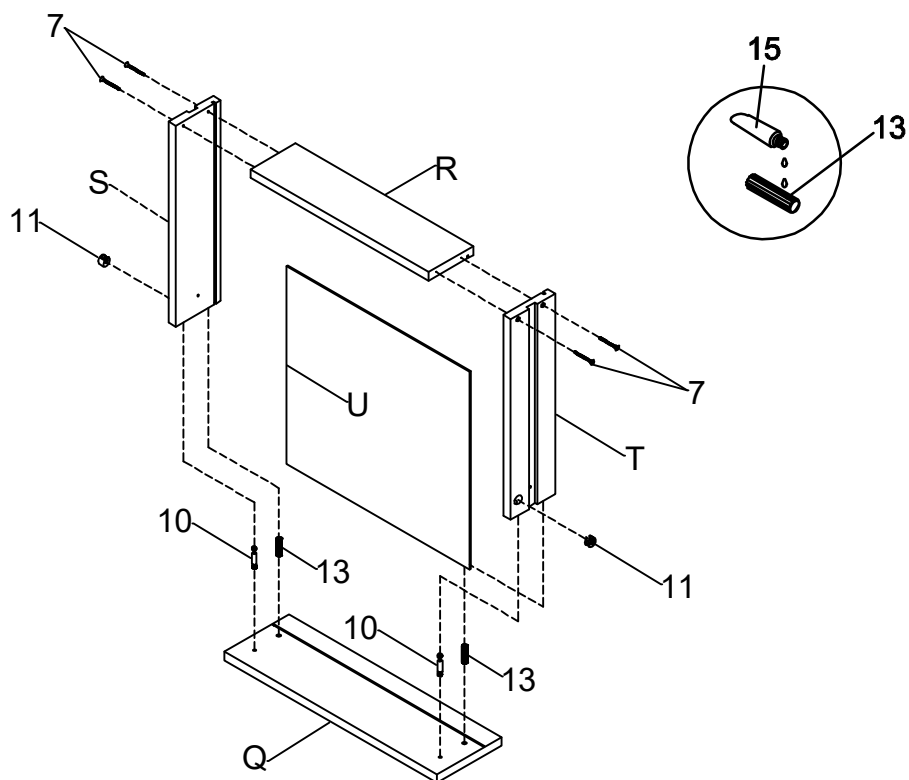


## STEP 12



# ASSEMBLY INSTRUCTIONS

## STEP 13



## STEP 14 COMPLETE

