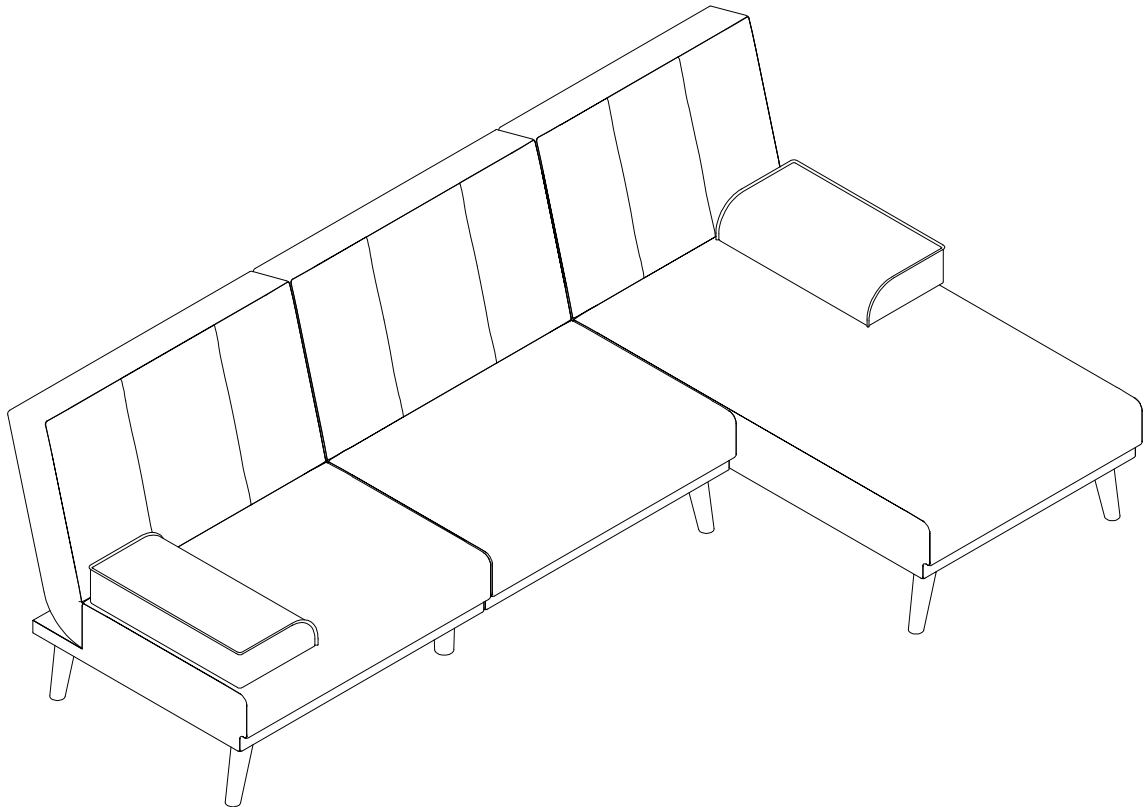
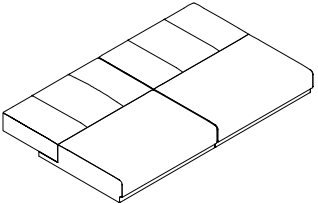
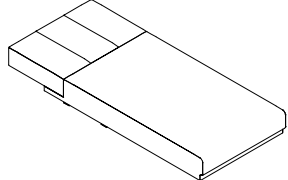
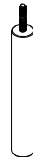


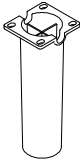
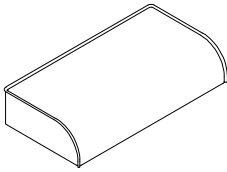








# Assembly instruction

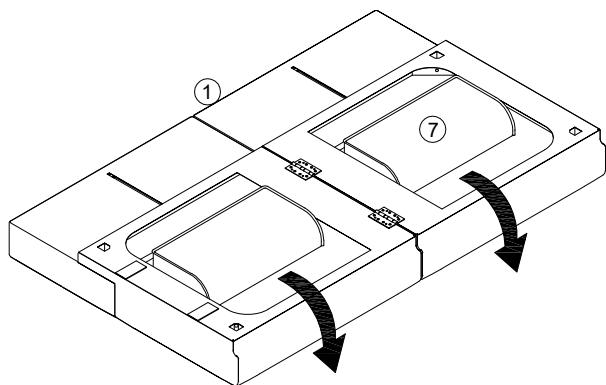


## PARTS:

① Seat QTY: 1	② Seat QTY: 1	③ Leg QTY: 1	④ Leg QTY: 4
			

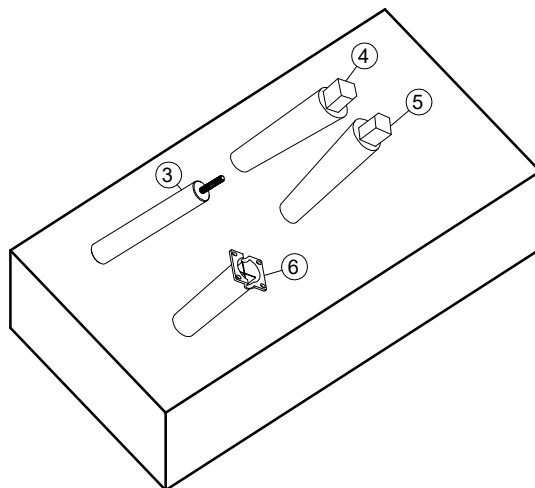
<p>⑤ Leg QTY: 4</p>	<p>⑥ Middle Leg QTY: 2</p>	<p>⑦ Back Cushion QTY: 2</p>	<p>⑧ 5/16" X 60mm QTY: 8</p>
			
<p>⑨ M6 X 10mm QTY: 8</p>	<p>⑩ Washer 5/16" QTY: 8</p>	<p>⑪ Spring Washer 5/16" QTY: 8</p>	<p>⑫ L-Allen Key 4mm QTY: 1</p>
			
<p>⑬ L-Allen Key 5mm QTY: 1</p>			
			

### Step 1:



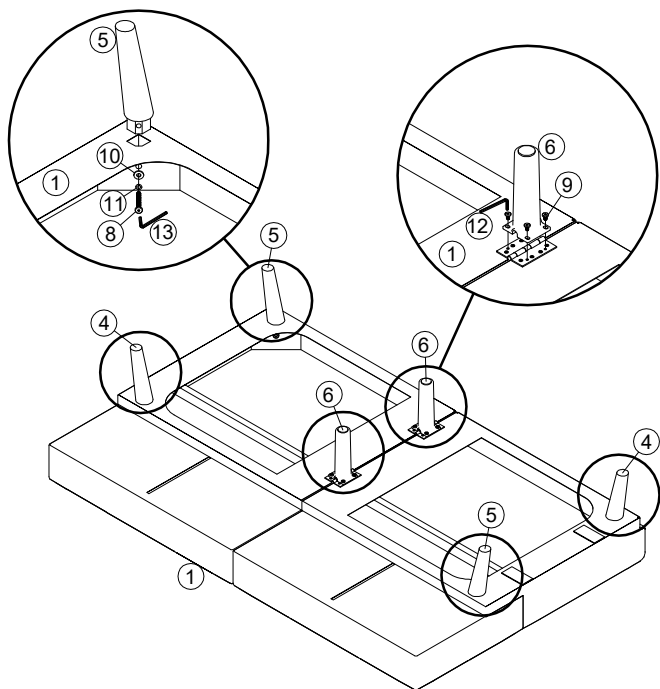
The cushions will be found in the compartment under the seat as shown.

### Step 2:

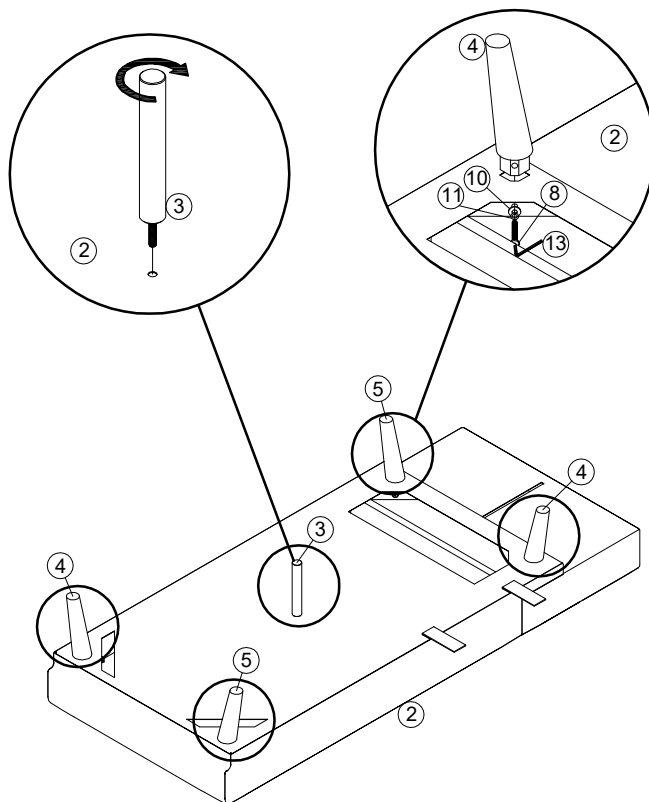


The legs and hardware will be found in the inner box as shown.

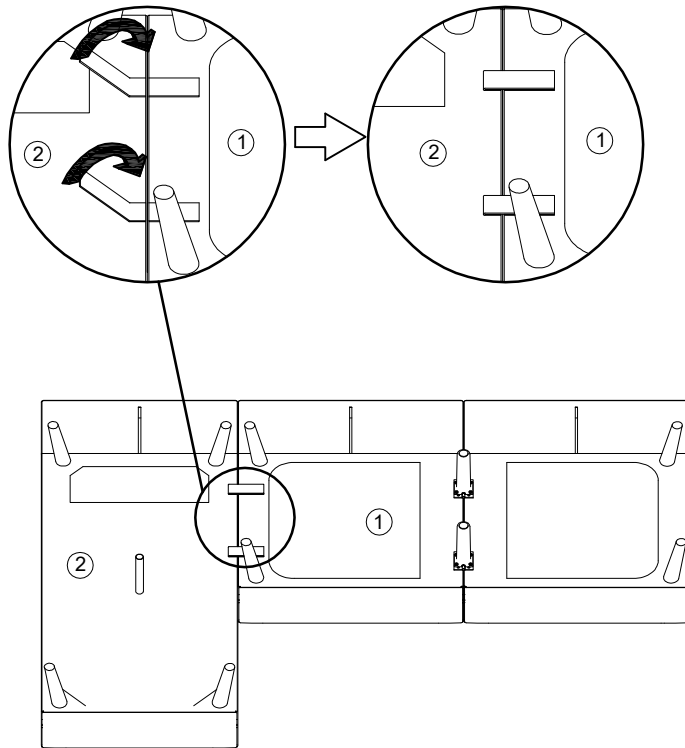
### Step 3:



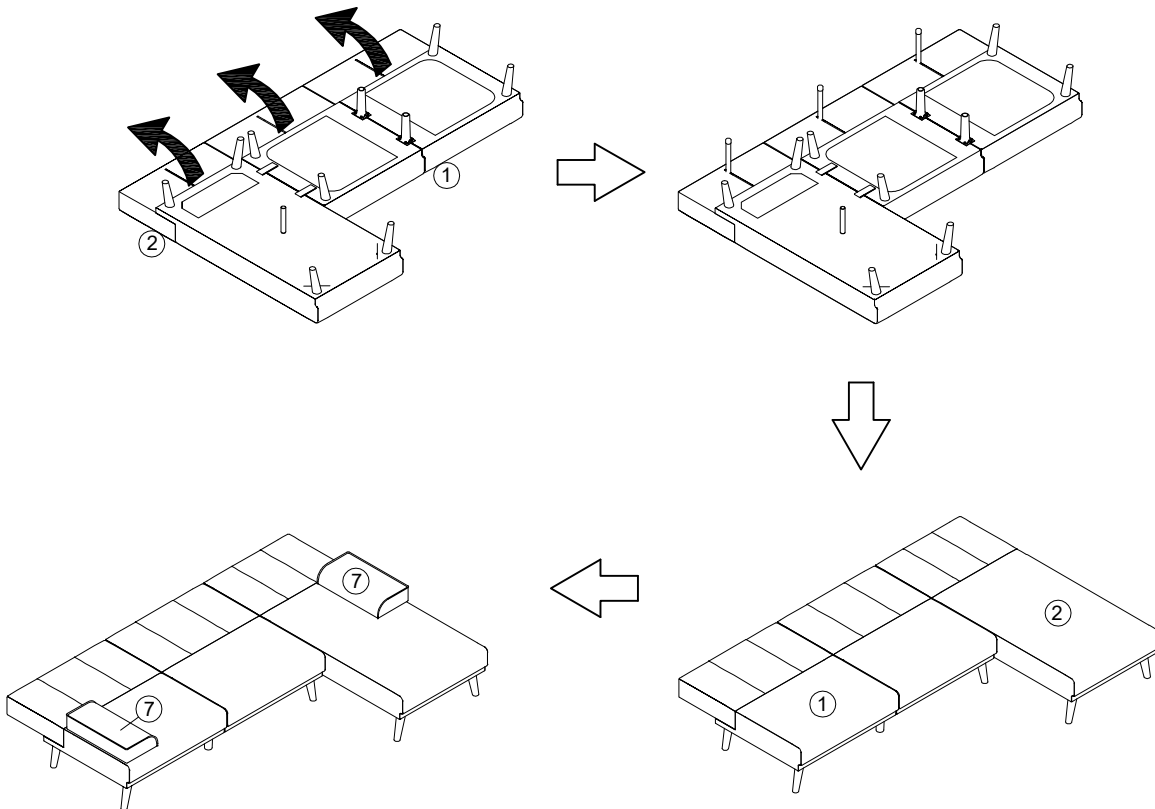
### Step 4:



**Step 5:**



**Step 6:**



# FUNCTIONS:

