

# ASSEMBLY INSTRUCTION

MODEL NUMBER:YH1018-CK

## NOTES:

Do not skip any step.

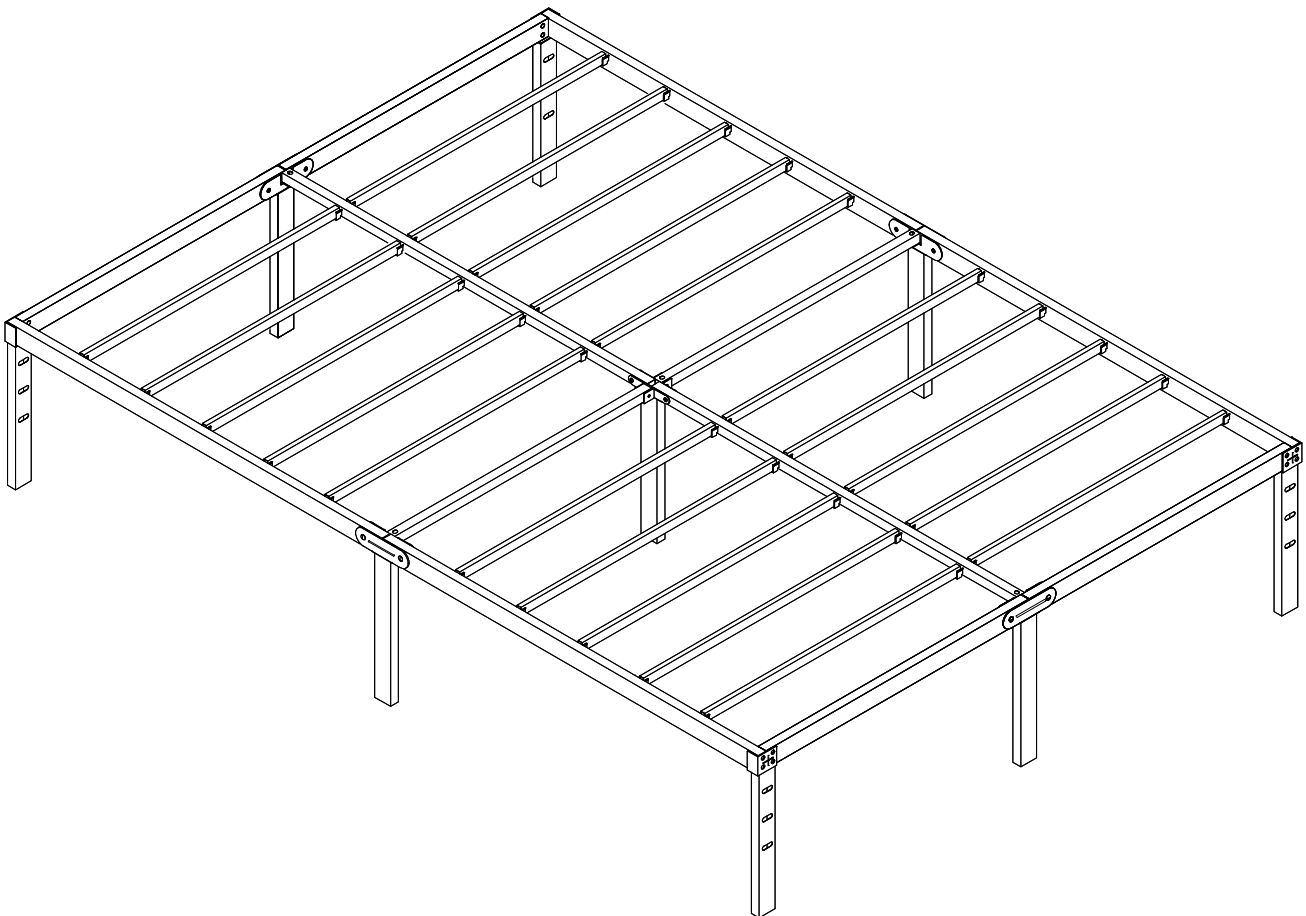
Do not fully tight screws until all the bed parts are assembled.

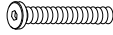

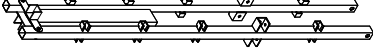
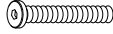

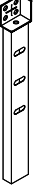
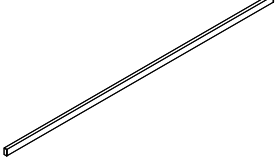
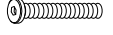


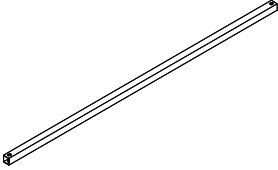


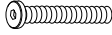
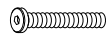

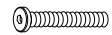

## WARNING:

WARNIND FOR YOUNG CHILDREN-This product contains small components,please ensure that they are kept away from small children while assembling.

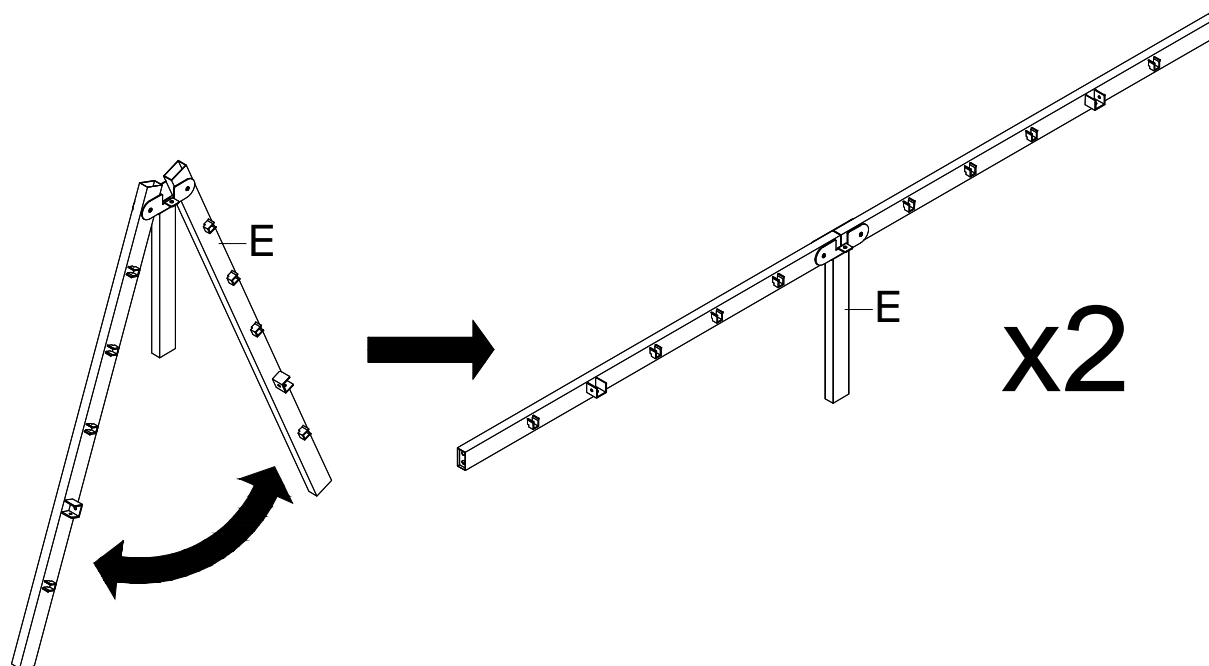
## Warranty Information:

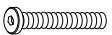

We warranty this product to be free from defects in materials.This warranty covers one year from the date of original purchase.If u have any query about bed,pls contact our after -sale support email: [pakkahome@outlook.com](mailto:pakkahome@outlook.com)



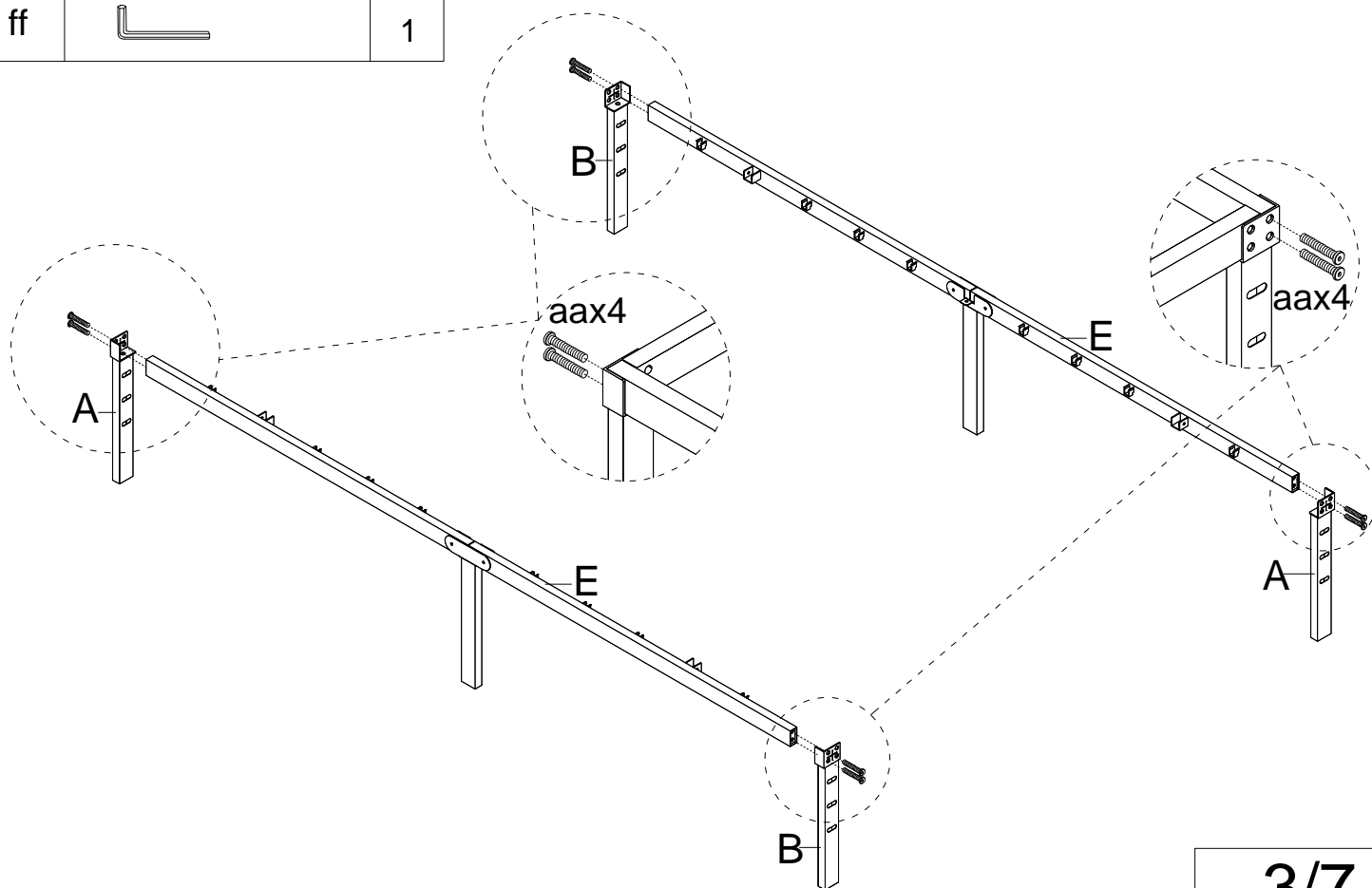
<p style="text-align: center;"><b>A</b></p>	<p style="text-align: center;"><b>G</b></p>	aa		M8x25	8
 <p style="text-align: center;">2PCS</p>	 <p style="text-align: center;">1PC</p>	bb		M8x35	8
<p style="text-align: center;"><b>B</b></p>	<p style="text-align: center;"><b>H</b></p>	cc		M8	8
 <p style="text-align: center;">2PCS</p>	 <p style="text-align: center;">20PCS</p>	dd		M6x30	6
<p style="text-align: center;"><b>E</b></p>	<p style="text-align: center;"><b>P</b></p>	ee			1
 <p style="text-align: center;">2PCS</p>	 <p style="text-align: center;">2PCS</p>	ff			1
<p style="text-align: center;"><b>F</b></p>					
 <p style="text-align: center;">2PCS</p>					
	SPARE	aa		1	
		bb		1	
		cc		1	
		dd		1	
		ff			
<p style="font-size: 24px; margin: 0;">2/7</p>					

# Step 1

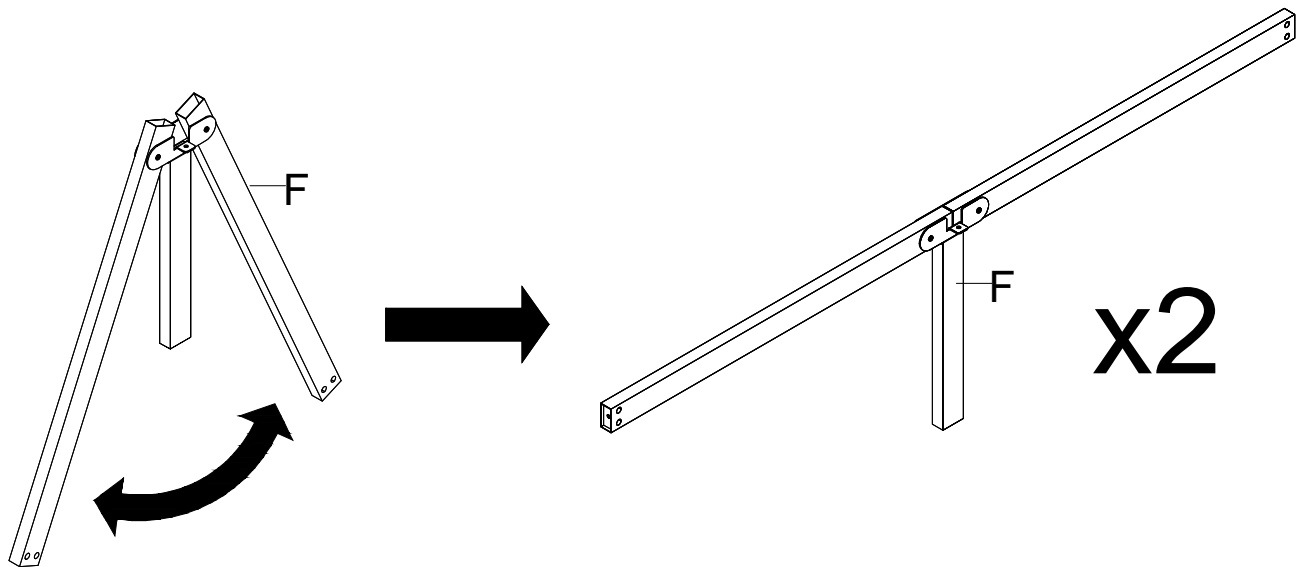


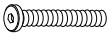



aa		M8x25	8
ff			1

# Step 2

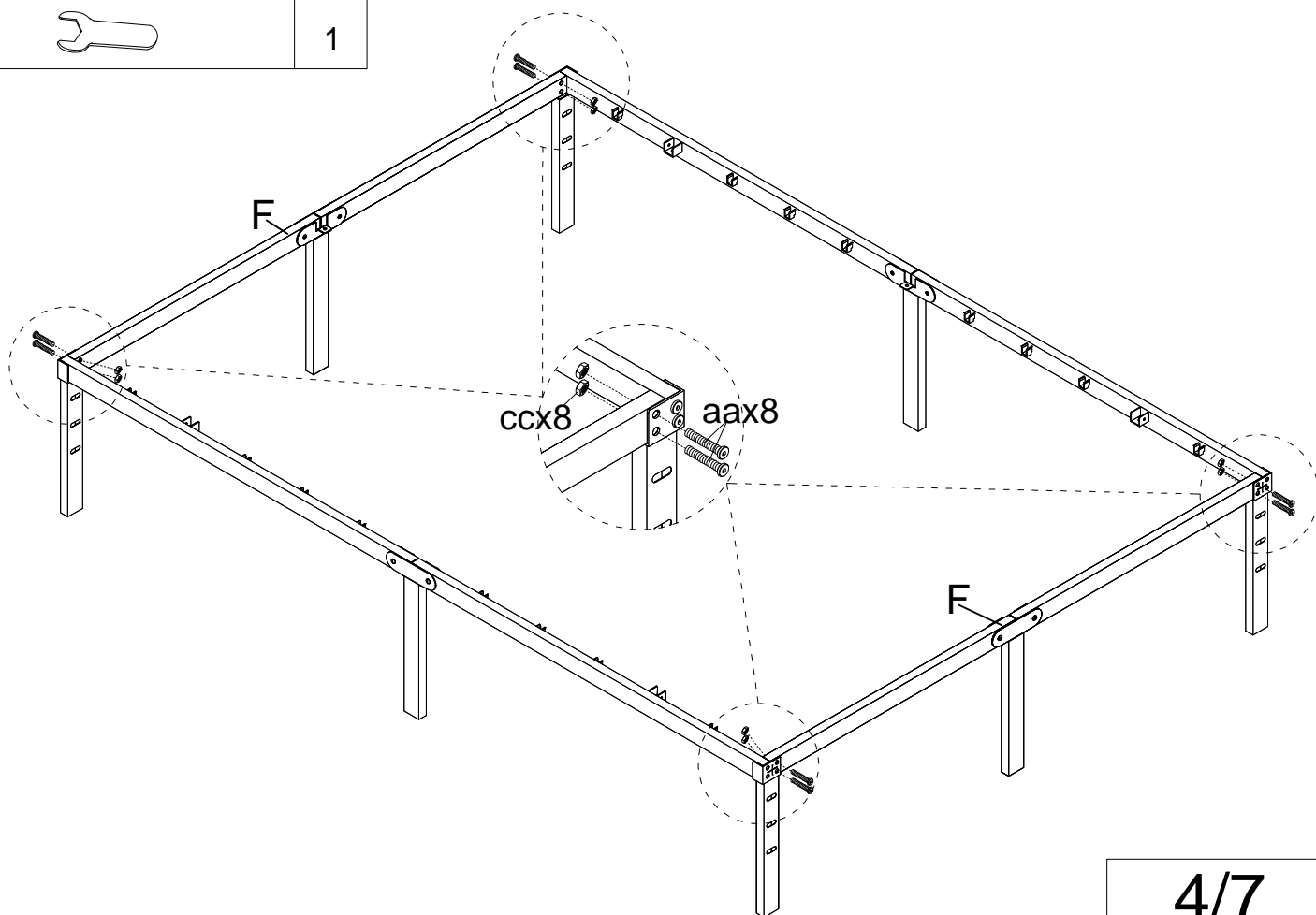


Step 3

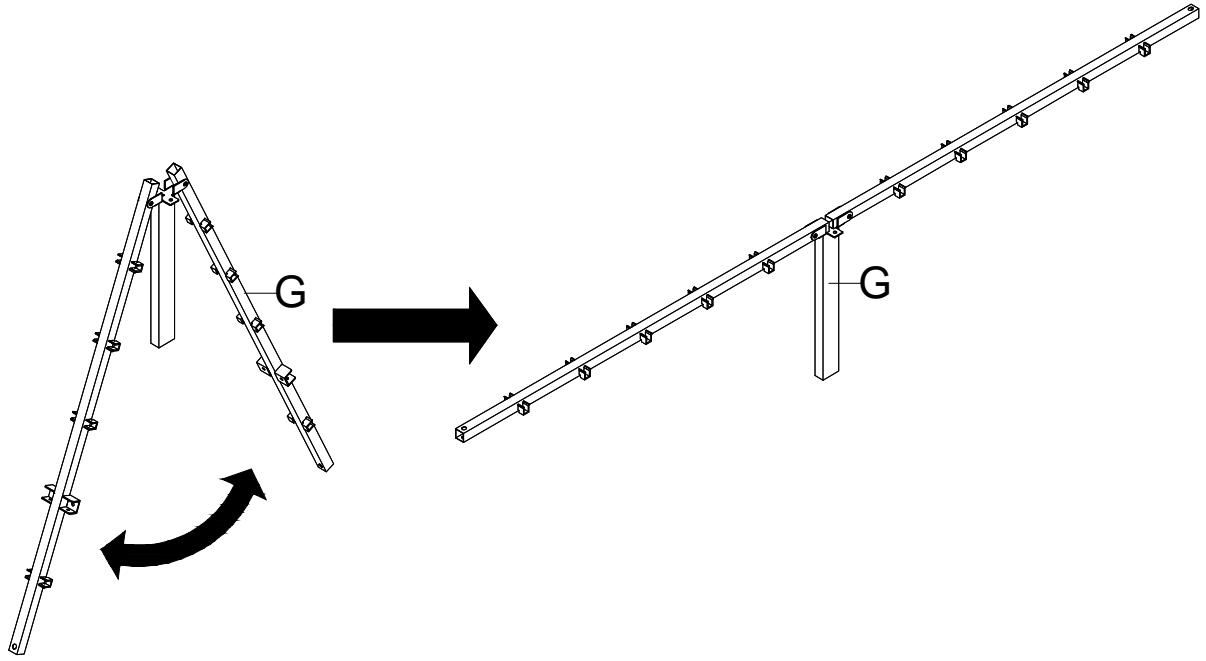


bb		M8x35	8
cc			8
ff			1
ee			1

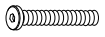
Step 4



Step 5



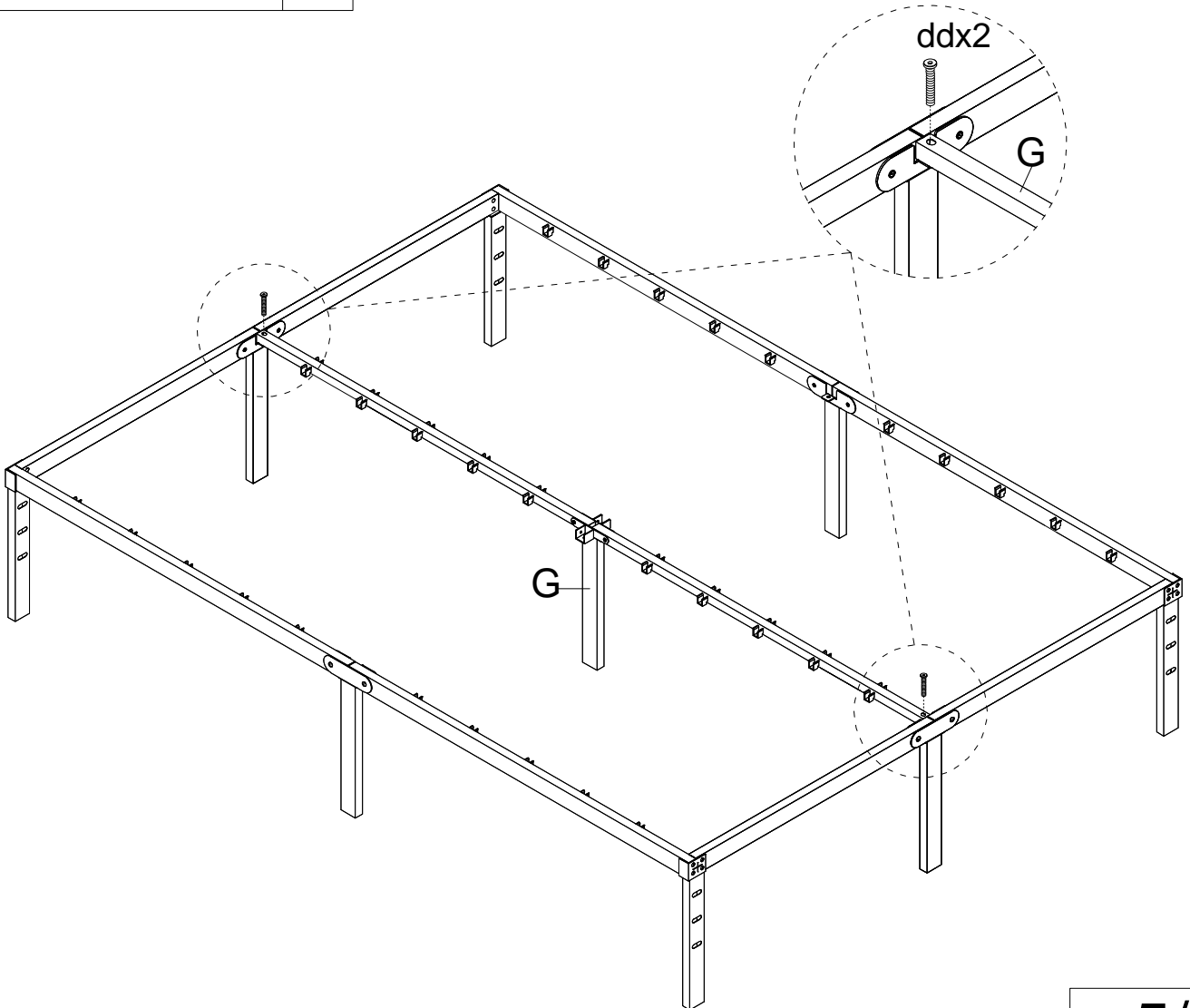
dd





M6x30

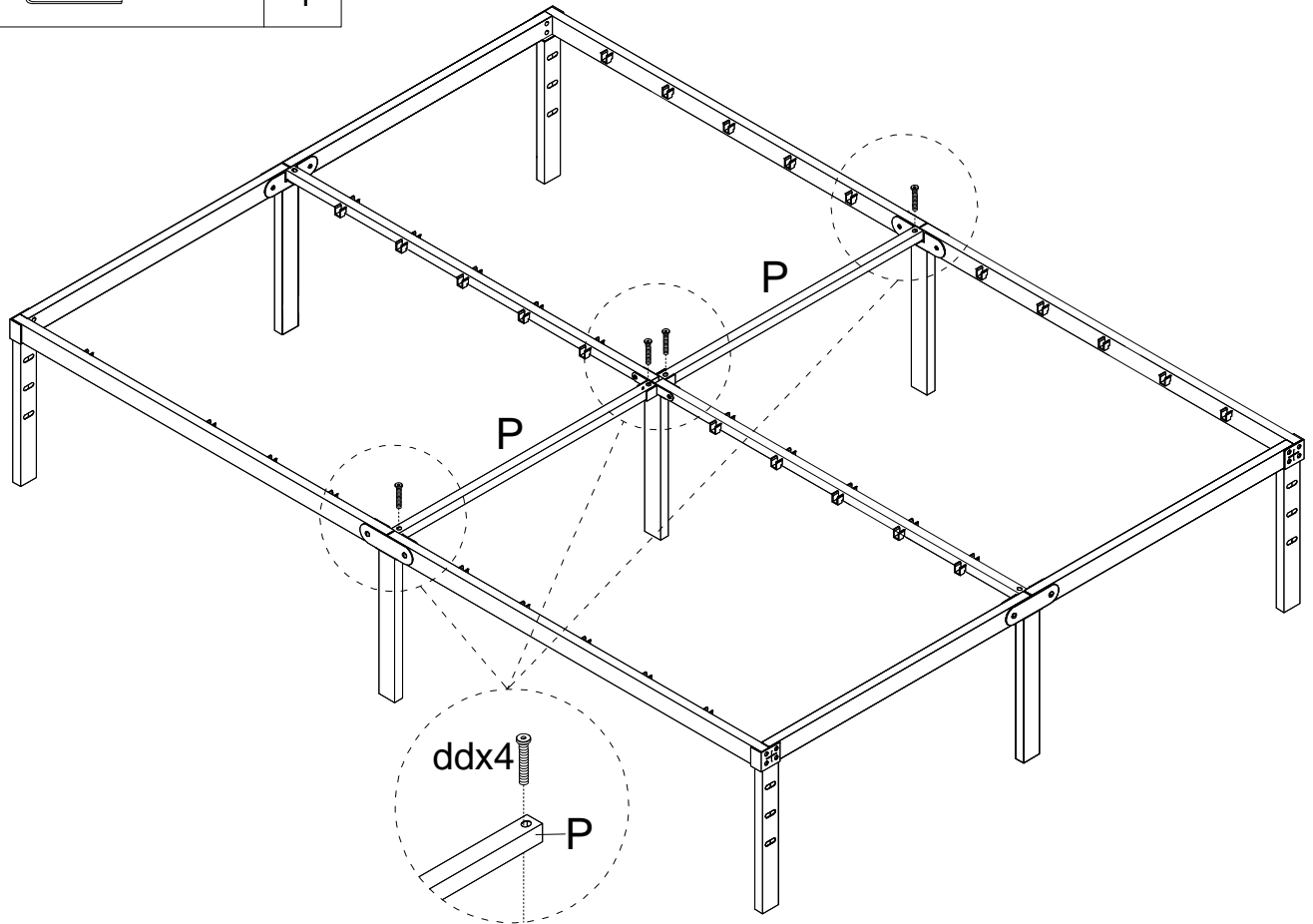
2

Step 6



dd		M6x30	4
ff			1

Step 7



Step 8

