

ASSEMBLY INSTRUCTIONS

KITCHEN CART

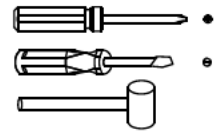
ASSEMBLY
REQUIREMENTS:

2-Person
Assembly

2 Hours
Assembly Time
(Approximate)

Tools Required:
(Not Provided)

Phillips Screwdriver
Flat Screwdriver
Mallet



ASSEMBLY PREPARATION

1. Remove all packaging materials, staples and packing straps from the carton.
2. Refer to Parts List and Hardware List and ensure parts and hardware are correct before assembly. Contact customer service for missing parts.
3. Place all wooden parts on a clean, flat and soft surface (e.g. carpet or rug) to prevent scratch and damage to parts.

SAFETY PRECAUTION:

1. KEEP ALL HARDWARE PARTS OUT OF REACH OF CHILDREN.
2. DISPOSE PLASTIC PACKAGING MATERIAL IMMEDIATELY TO AVOID ANY RISK OF SUFFOCATION TO CHILDREN AND ANIMALS.

TIPS FOR ASSEMBLY:

1. Allow ample room for assembly and in close proximity to where product will be placed.
2. Assemble the product on a surface that does not scratch or damage the exterior gloss and finish of the furniture.
3. Identify all of the parts, hardware and quantities required for each step.
4. During assembly, do not over-tighten any fittings as this may cause damage.
5. DO NOT USE POWER TOOLS TO ASSEMBLE THIS PRODUCT.
6. Always place the product on a flat, level surface.
7. Do not sit or stand on the partially assembled product; only use the product for which it is intended.

CARE AND MAINTENANCE

- Use a slightly damp cloth to clean the product. Do not use bleach or abrasive cleaning material.
- Check all the fittings periodically and re-tighten as necessary. Do not use the product if any of the parts damaged or broken.
- Never allow any kind of liquid to remain on your furniture. Absorption can cause wood to warp or delaminate.
- Do not place hot items (e.g. hot drinks) directly onto the wood surface.
- Do not drag and/or pull the furniture.

This product is for indoor and household use only - not for commercial use.

ASSEMBLY INSTRUCTIONS

KITCHEN CART

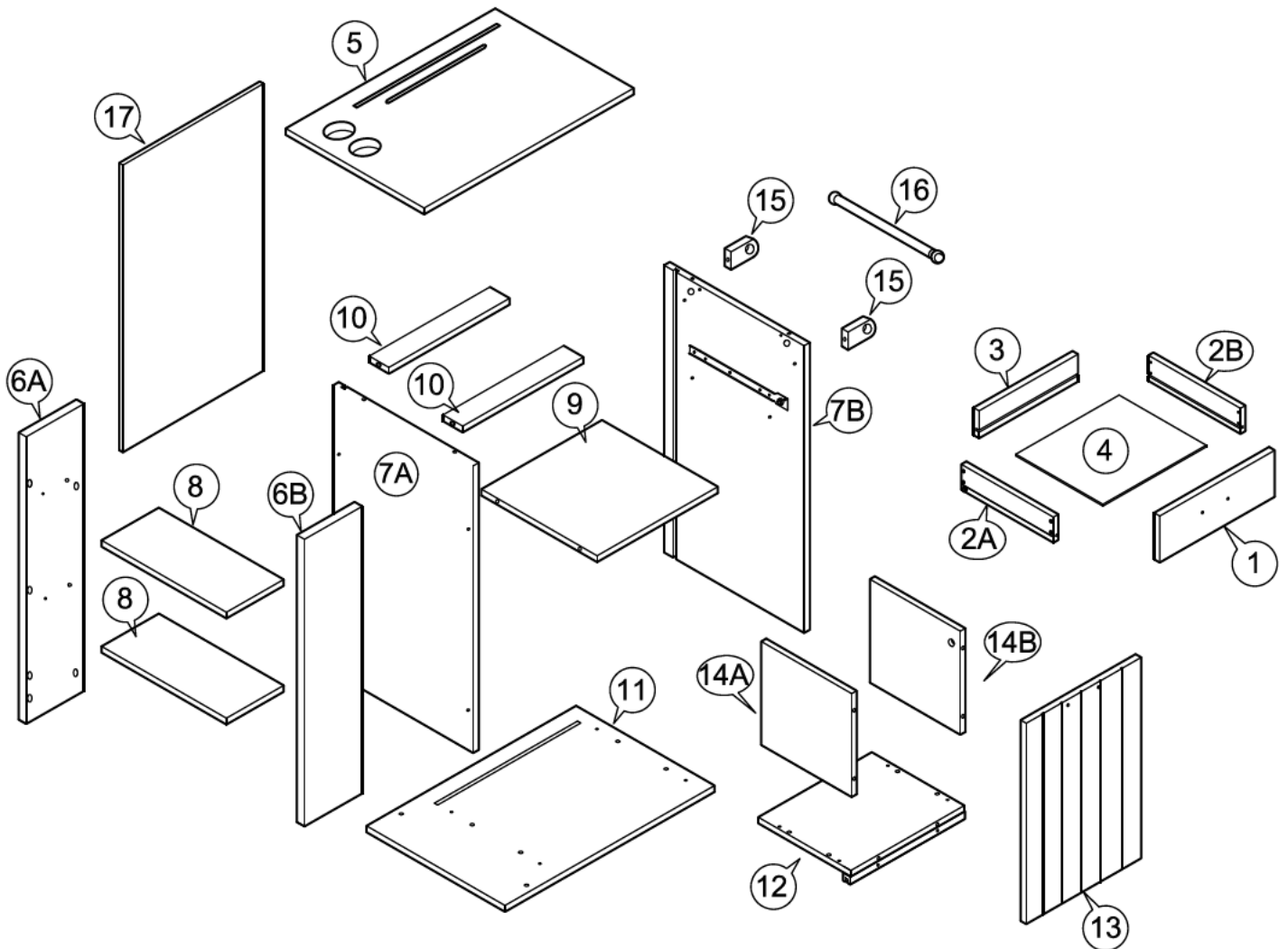
PARTS LIST

Part#	Description	Qty
1	Drawer Front Panel	1pc
2A	Drawer Left Panel	1pc
2B	Drawer Right Panel	1pc
3	Drawer Back Panel	1pc
4	Drawer Bottom Panel	1pc
5	Top Panel	1pc
6A	Left Rack Panel	1pc
6B	Right Rack Panel	1pc

Part#	Description	Qty
7A	Left Side Panel	1pc
7B	Right Side Panel	1pc
8	Side Shelf Center	2pcs
9	Center Shelf	1pc
10	Top Rall	2pcs
11	Bottom Panel	1pc
12	Base Panel	1pc
13	Front Door Panel	1pc

Part#	Description	Qty
14A	Drawer Left Panel	1pc
14B	Drawer Right Panel	1pc
15	Towel Rod Holder	2pcs
16	Towel Rod	1pc
17	Back Panel	1pc

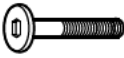
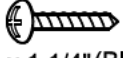
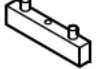
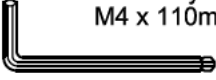

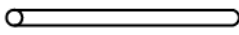
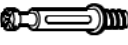
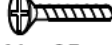

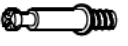



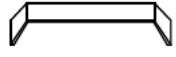


PARTS ASSEMBLY OVERVIEW



ASSEMBLY INSTRUCTIONS

LIMA KITCHEN CART ITEM# 12700USH/WHT

Hardware List

DESCRIPTION	QTY	EXTRA	DESCRIPTION	QTY	EXTRA	DESCRIPTION	QTY	EXTRA
A  Bolt M6 x 40mm	2	2	G  Screw #8 x 1 1/4" (Black)	16	2	M  Stopper	3	-
B  Allen Key M4 x 110mm	1	-	H  Screw M4 x 16mm (Caster)	16	2	N  Shelf Rod 386 x 9 Ømm	4	-
C  Cam-bolt 34mm	22	-	I  Screw M4 x 25mm	2	2	O  Caster with Brake 50mm	2	-
D  Cam-bolt 24mm	2	-	J  Wood Dowel M8 x 30mm	16	-	P  Caster 50mm	2	-
E  Cam-lock 12mm	22	-	K  Handle	2	-			
F  Screw M3 x 16mm (Black)	3	2	L  Screw 20mm	4	-			

* Extra hardware for spare use

INSTRUCTIONS FOR CAM-BOLT & CAM-LOCK

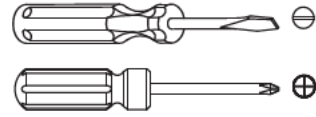


CAM-BOLT

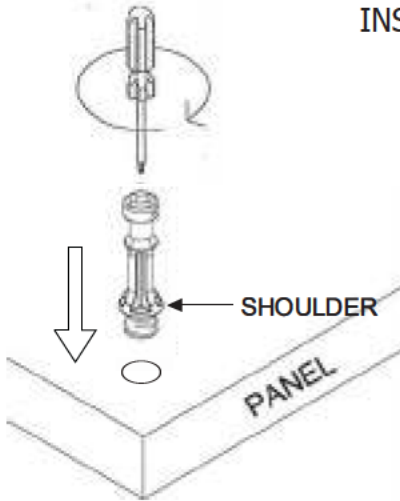


CAM-LOCK

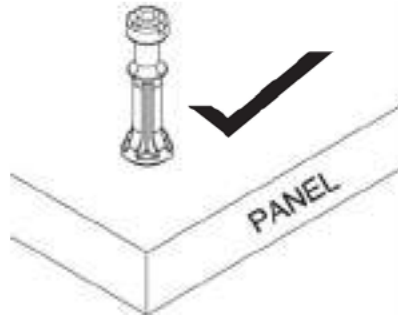
Tools Required



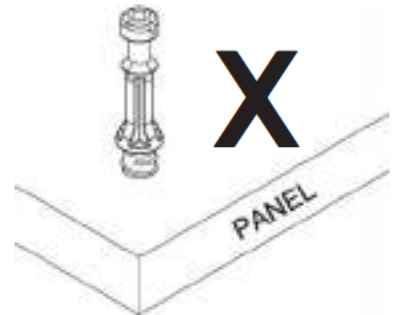
INSERTING AND TIGHTENING CAM-BOLT



Place Cam-bolt on pre-drilled hole and screw in vertically



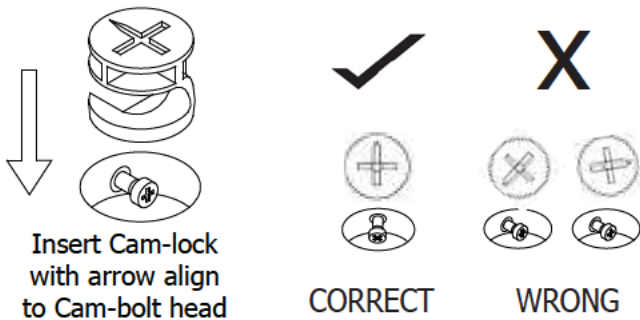
Shoulder is flushed (on the same level) with the panel.



Shoulder is above the panel.

Place Cam-bolt on the designated pre-drilled hole on the panel. Use a Phillips Screwdriver to screw-in Cam-bolt vertically until shoulder is flushed (on the same level) with panel.

INSERTING CAM-LOCK



Insert Cam-lock with arrow align to Cam-bolt head

CORRECT

WRONG

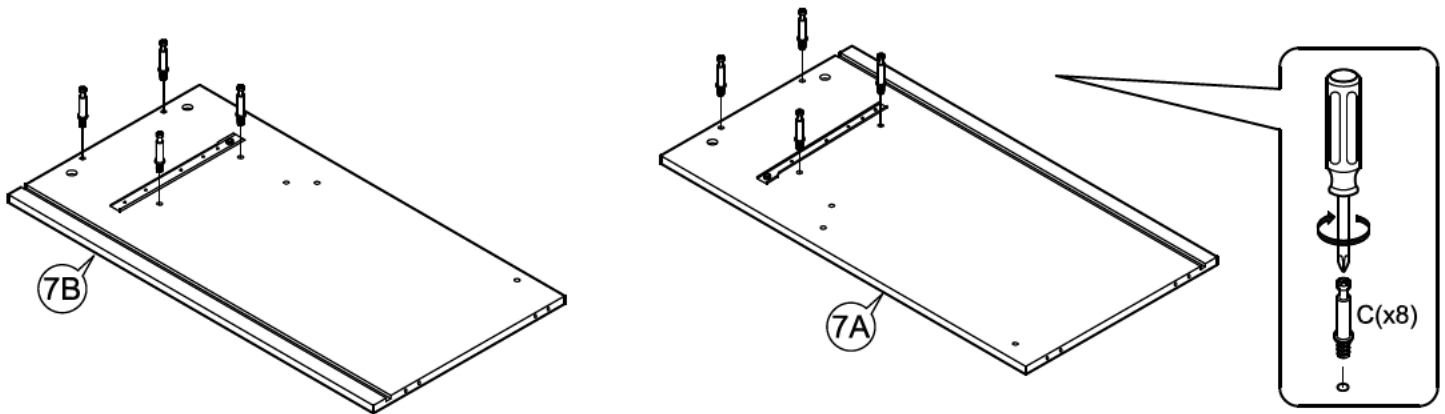
TIGHTENING CAM-LOCK



Use a Flat-head Screwdriver to turn Cam-lock clockwise so it locks onto the head of the Cam-bolt. Turn until it is snug (about 3/4ths of a turn) -- over-tightening could damage Cam-lock or/and Cam-bolt.

ASSEMBLY INSTRUCTIONS
LIMA KITCHEN CART ITEM# 12700USH/WHT

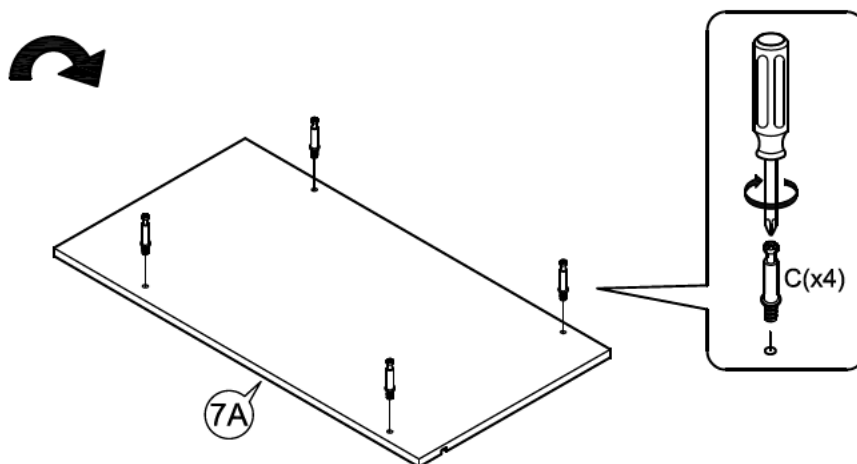
STEP 1



a) Lay Left and Right Panel (7A & 7B) flat down with the interior surface facing up on a material that does not scratch or damage the part.

a) Screw in cam-bolt (C) into designated holes as shown. Refer to page 4 for instructions to screw in and tighten Cam-bolts.

STEP 2

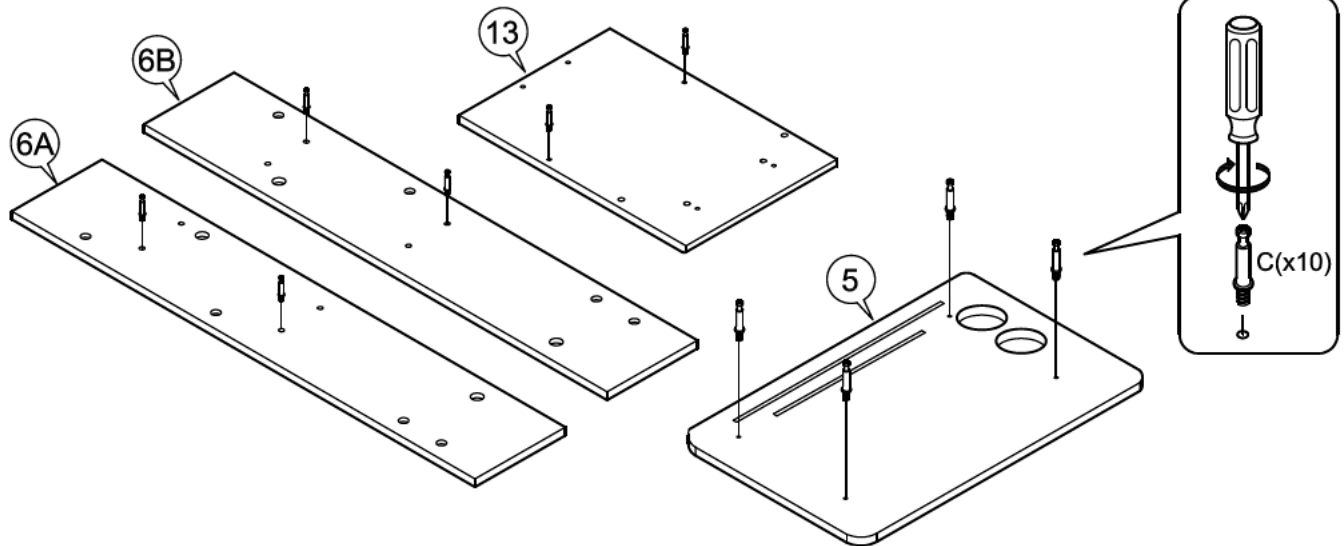


a) Turnover Left Panel (7A) from STEP 1 and screw in Cam-bolt (C) into designated holes as shown.

ASSEMBLY INSTRUCTIONS

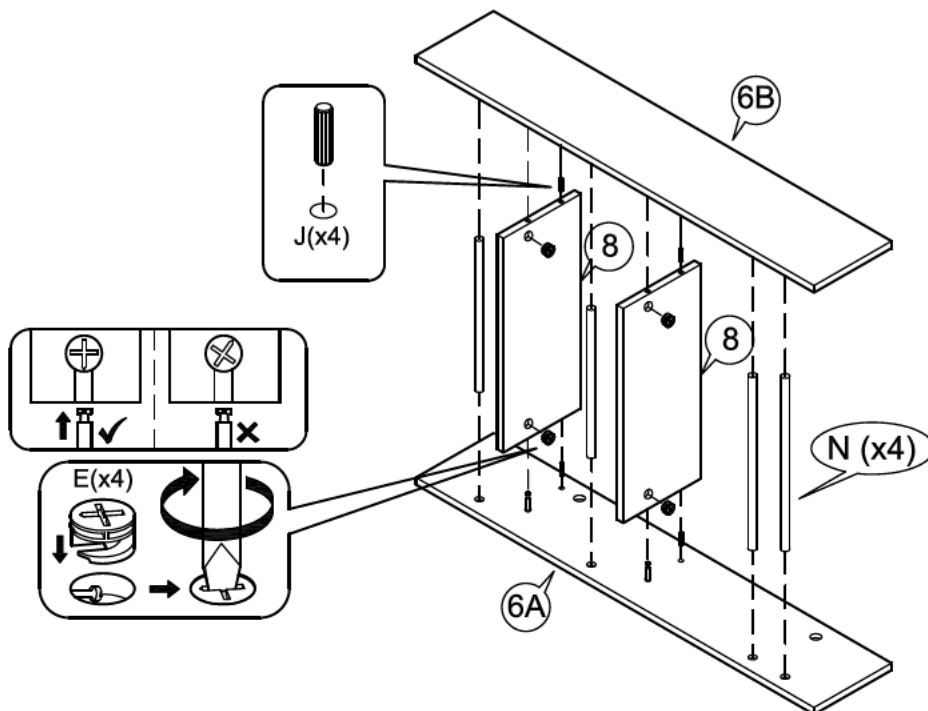
LIMA KITCHEN CART ITEM# 12700USH/WHT

STEP 3



- a) Lay Left & Right Rack Panel (6A & 6B), Top Panel (5) and Front Door Panel (13) flat down as shown on a material that does not scratch or damage the part.
- b) Screw in Cam-bolt (C) into designated holes as shown.

STEP 4

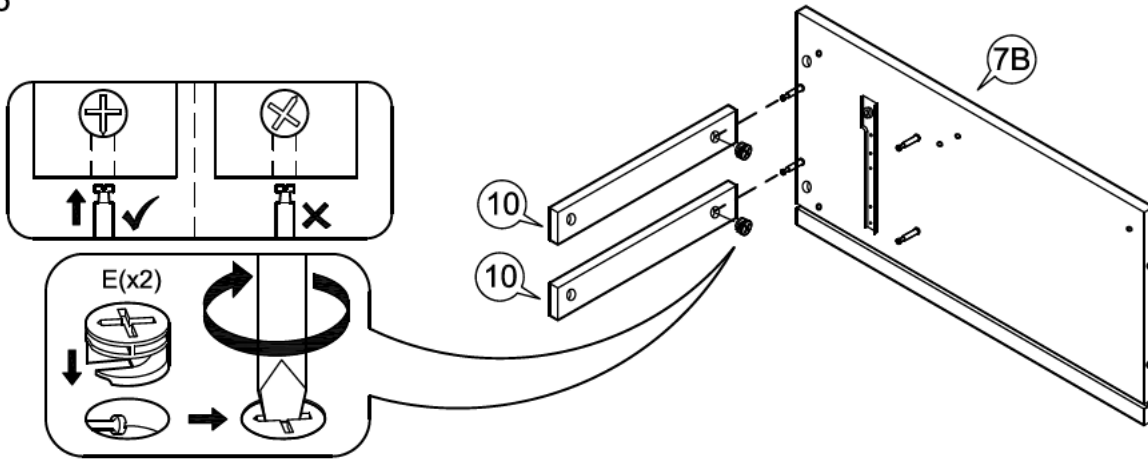


- a) Insert Wood Dowel (J) and Shelf Rod (N) into the designated hole on Left Rack Panel (6A). Next, insert Wood Dowel (J) into designated hole on the top edge of Shelf (8).
- b) Attach Shelf (8) to (6A) via cam-bolt and wood dowel on (6A). Next, insert Cam-lock (E) into the designated hole near the base of (8) then turn clockwise to lock onto cam-bolt on (6A). Refer to page 4 for instructions on inserting and tightening Cam-lock.
- c) Attach Right Rack Panel (6B) to (N) and (8). Next, insert Cam-lock (E) into the designated hole near the top of edge of (8) then turn clockwise to lock onto cam-bolt on (6B).

The Side Rack Assembly is completed.

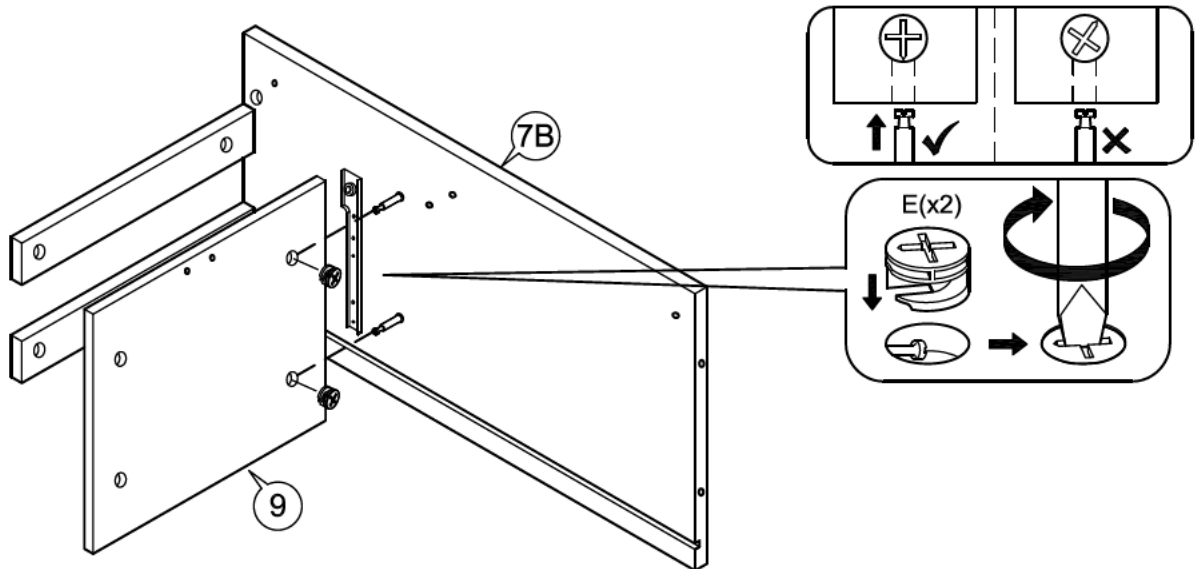
ASSEMBLY INSTRUCTIONS
LIMA KITCHEN CART ITEM# 12700USH/WHT

STEP 5



a) Attach Top Rail (10) to Right Panel (7B) via cam-bolt on (7B).Next, insert Cam-lock (E) into the designated hole on (10) then turn clockwise to lock onto cam-bolt on (7B).

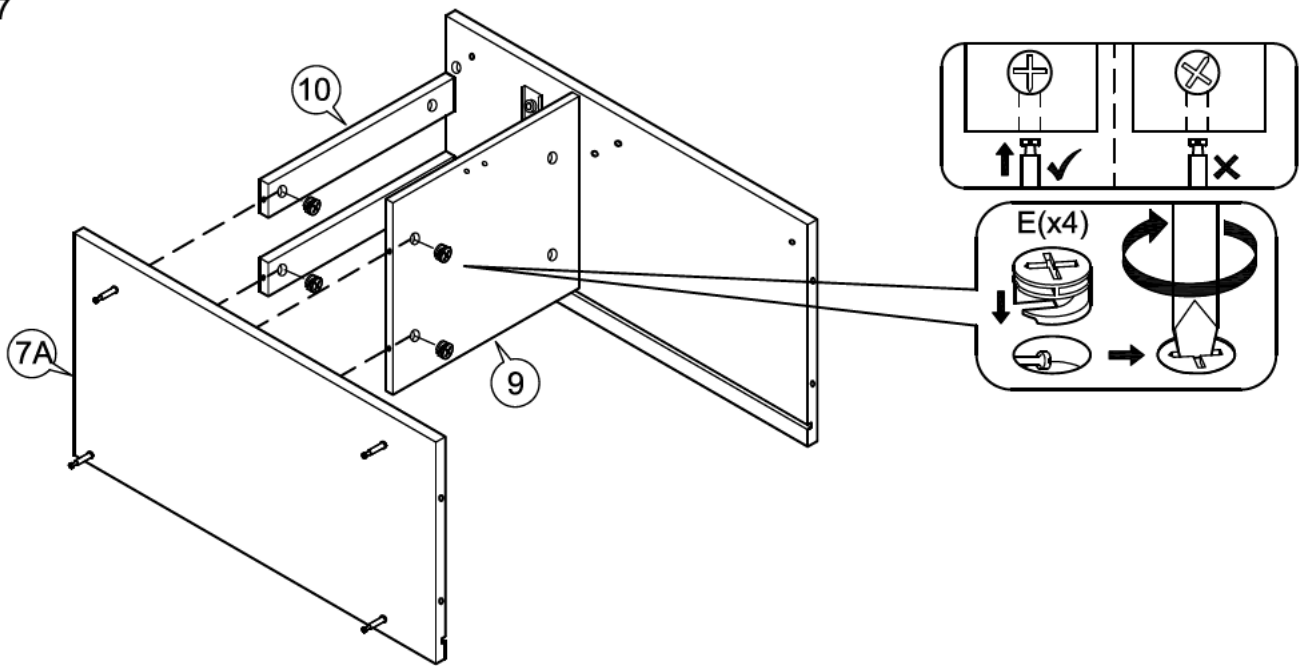
STEP 6



a) Attach Shelf (9) to Right Panel (7B) via cam-bolt on (7B).Next, insert Cam-lock (E) into the designated hole on (9) then turn clockwise to lock onto cam-bolt on (7B).

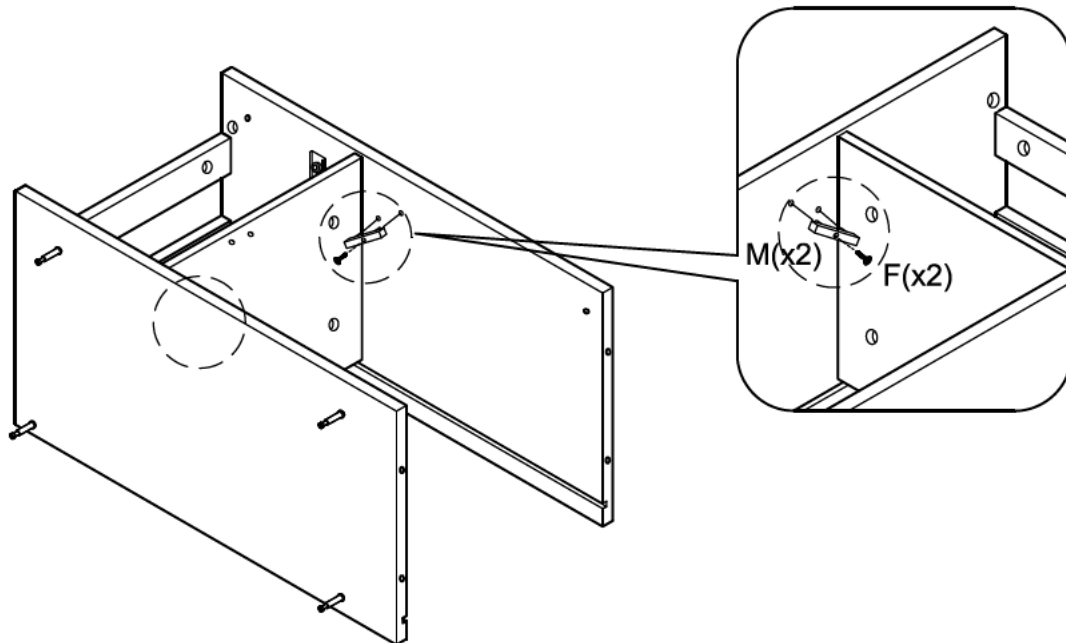
ASSEMBLY INSTRUCTIONS
LIMA KITCHEN CART ITEM# 12700USH/WHT

STEP 7



a) Attach Left Panel (7A) to Shelf (9) and Top Rail (10) via cam-bolt on (7A). Next, insert Cam-lock (E) into the designated holes on (9) and (10) then turn clockwise to lock onto cam-bolt on (7A).

STEP 8

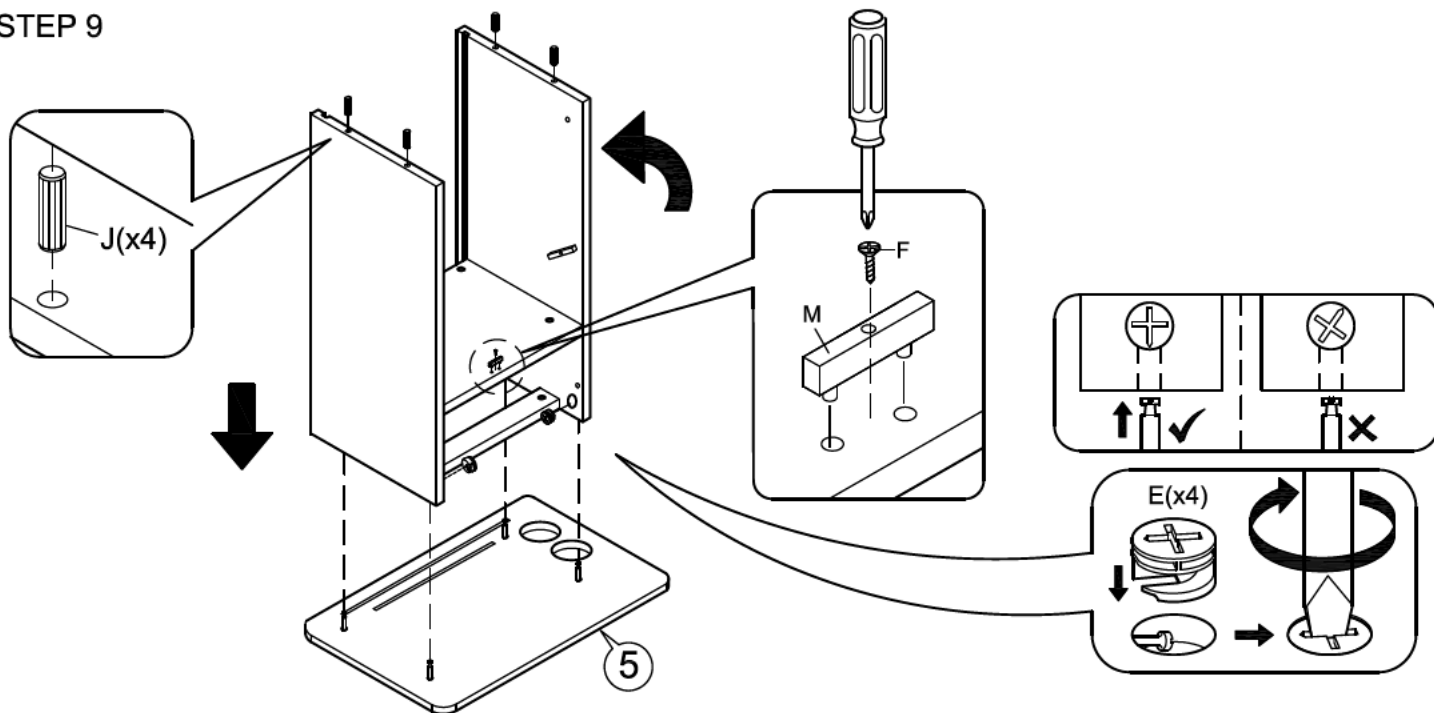


a) Attach Stopper (M) to Left and Right Panel (7A & 7B) as shown and fasten with screw (F).

ASSEMBLY INSTRUCTIONS

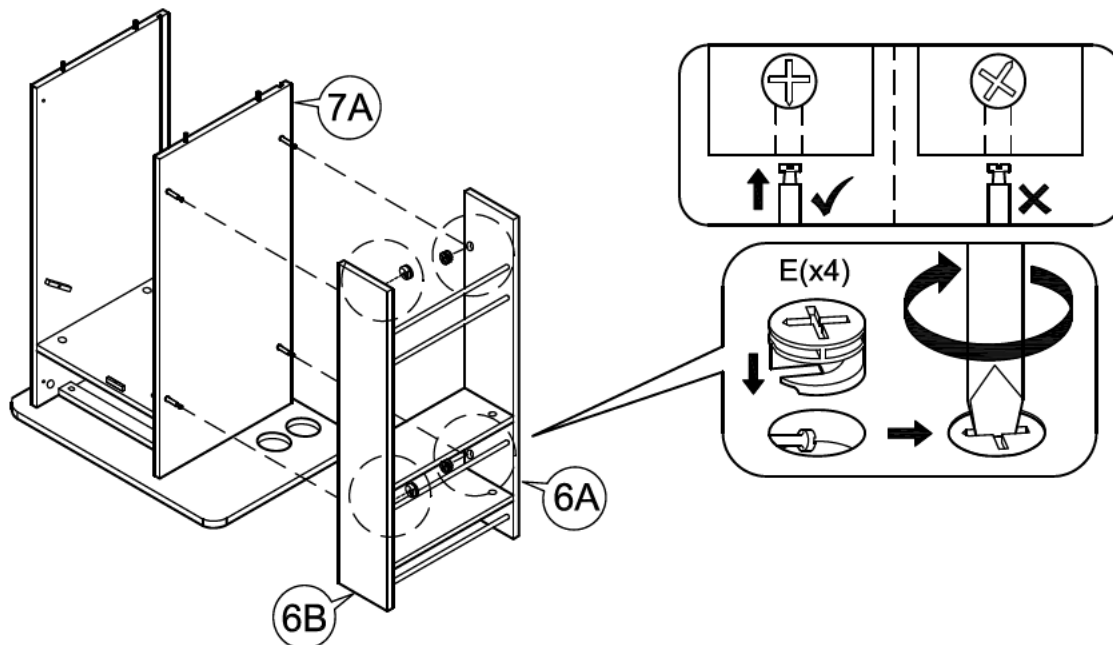
LIMA KITCHEN CART ITEM# 12700USH/WHT

STEP 9



- a) Lay Top Panel (5) bottom-side up flat down a material that does not scratch or damage the part.
- b) Attach the top edge of Side Panels of assembly from STEP 8 to (5) via cam-bolts on (5).
- c) Insert Cam-lock (E) into the designated holes on Side Panels then turn clockwise to lock onto cam-bolt on (5).
- d) Insert Wood Dowel (J) into the designated holes on the bottom-edge (facing up) of Side Panels.
- e) Attach Stopper (M) to Shelf (9) as shown and fasten with screw (F).

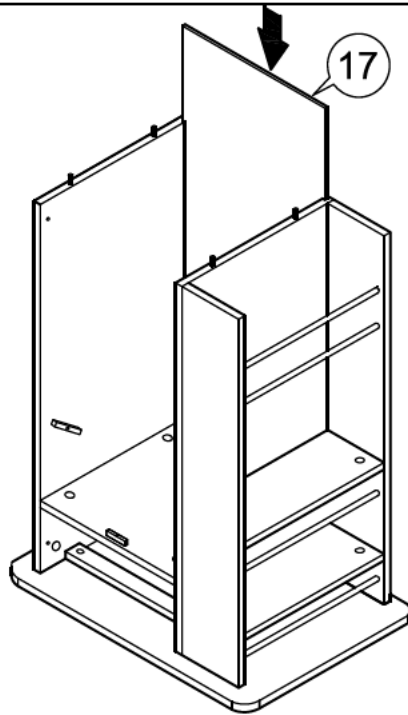
STEP 10



- a) Attach the Side Rack Panels (6A & 6B) of Side Rack Assembly completed in STEP 4 to Left Panel (7A) via cam-bolt on (7A).
- b) Insert Cam-lock (E) into the designated holes on Side Rack Panels then turn clockwise to lock onto cam-bolt on (7A).

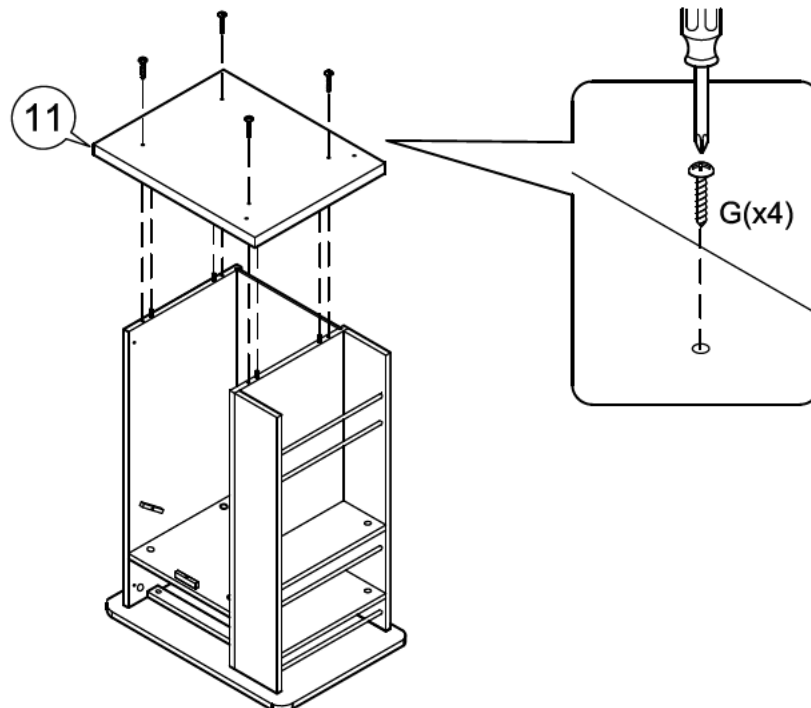
ASSEMBLY INSTRUCTIONS
LIMA KITCHEN CART ITEM# 12700USH/WHT

STEP 11



- a) Fit Back Panel (17) by inserting the long edge of (17) into the groove on Left & Right Panel. Check that (17) fits into the groove on the Top Panel.

STEP 12

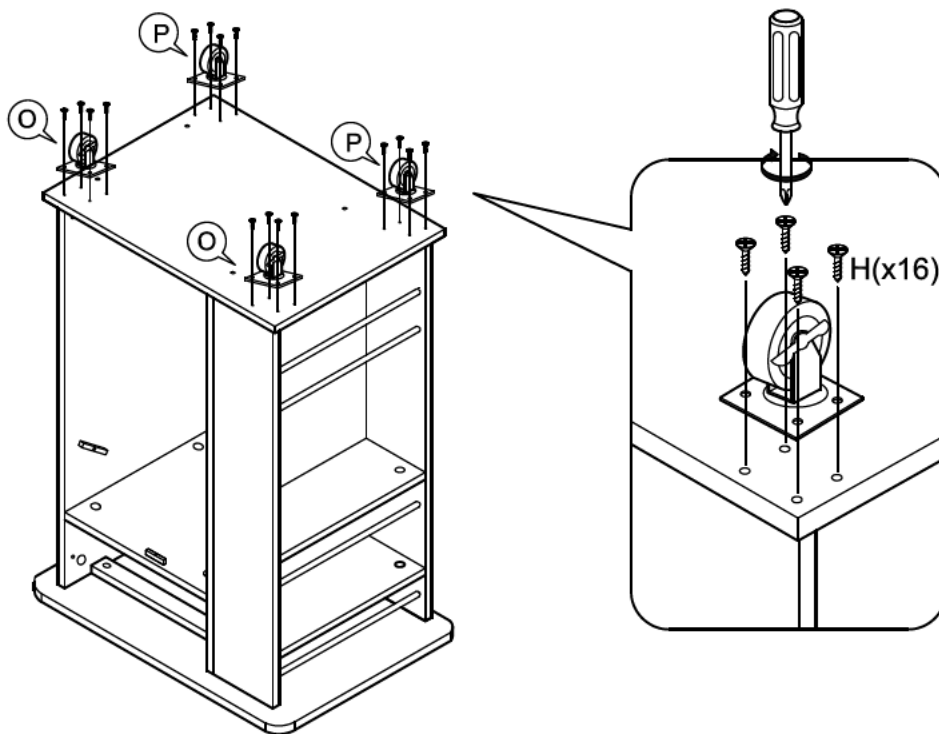


- a) Attach Bottom Panel (11) to Side Panels via wood dowels on Side Panels.
b) Use Screw (G) to fasten (11) to Side Panels.

ASSEMBLY INSTRUCTIONS

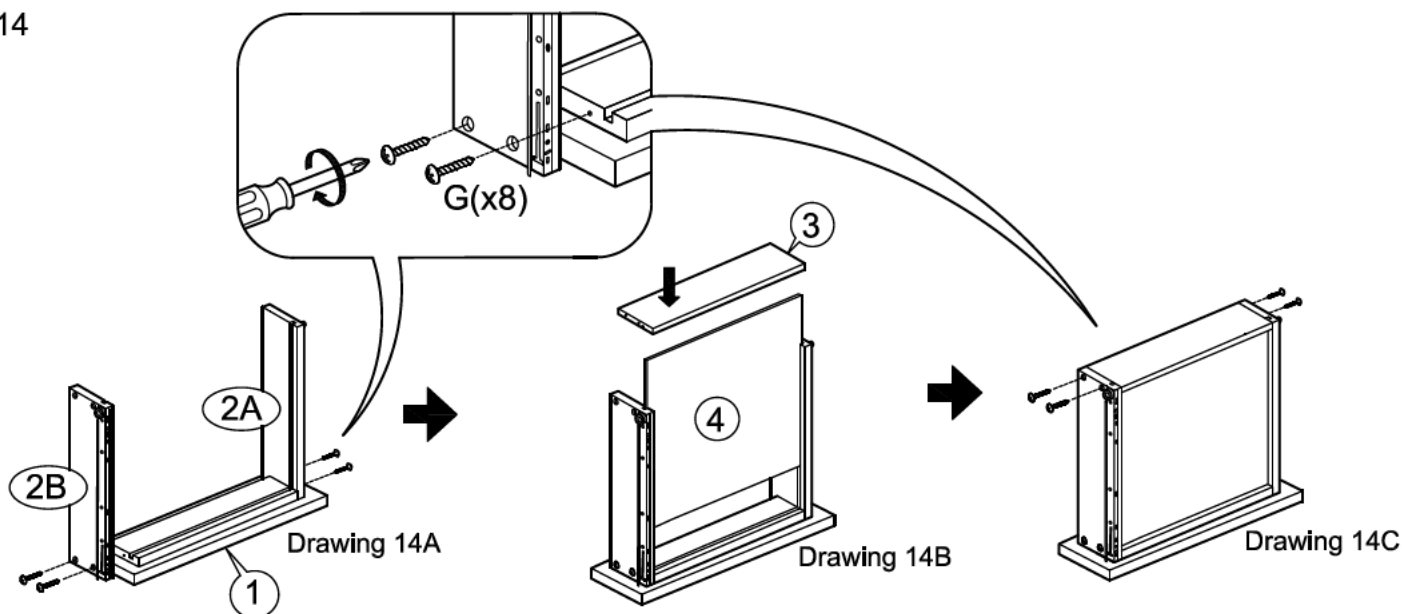
LIMA KITCHEN CART ITEM# 12700USH/WHT

STEP 13



a) Position the Caster (O & P) as shown and align the screw holes on the base plate of the caster to the screw holes on the bottom panel. Use Screw (H) to fasten each caster. Do not tighten the screws completely until all 4 screws are in place on each caster.

STEP 14



Refer to Drawing 14A

Attach Drawer Left & Right Panels (2A & 2B) to Drawer Front Panel (1) as shown - note the groove on each panel has to be aligned. Use Screw (G) to fasten side panels. Do not tighten screws completely until both screws are in place in each panel.

Refer to Drawing 14B

Fit Drawer Bottom Panel (4) between drawer side panels by inserting the short edge of (4) into the groove on the side panel. Check that Bottom Panel fits into the groove on (1). Next, fit Drawer Back Panel (3) between drawer side panels and check that the top edge of Bottom Panel fits into the groove on the under-side of (3).

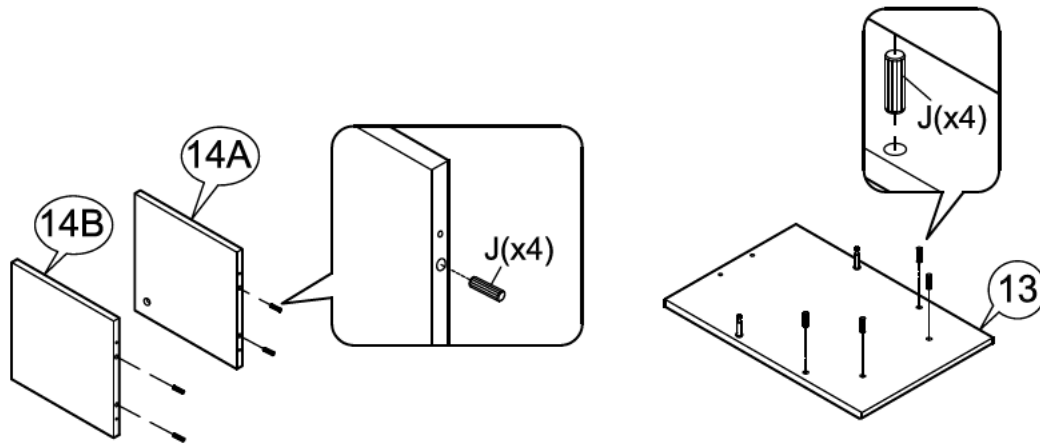
Refer to Drawing 14C

Use Screw (G) to fasten Drawer Back Panel to Drawer Side Panels. Do not tighten screws completely until both screws are in place in each panel.

ASSEMBLY INSTRUCTIONS

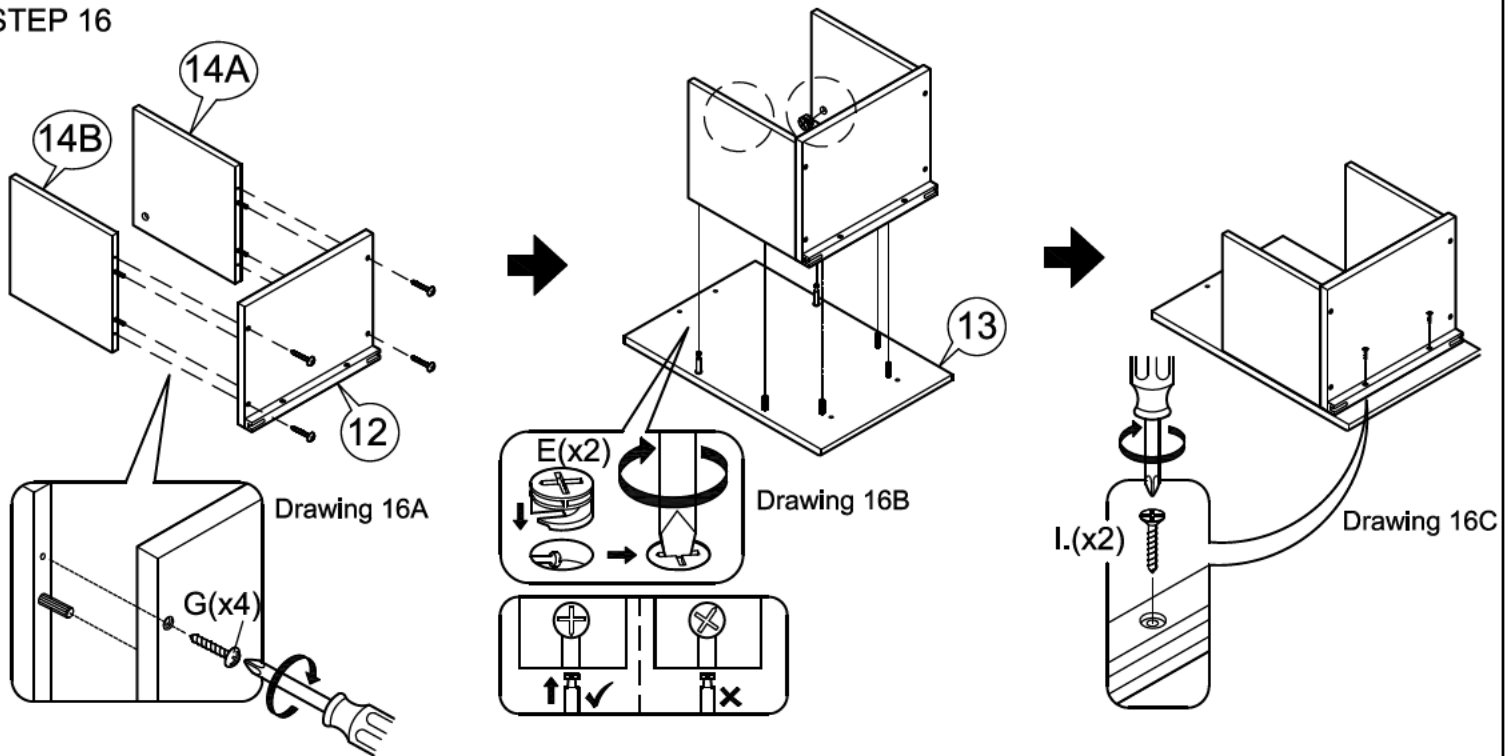
KITCHEN CART

STEP 15



- a) Insert Wood Dowel (J) into the designated (inner 2) holes on Drawer Left and Right Panels (14A & 14B).
- b) Lay Front Door Panel (13) from STEP 3 flat down on a material that does not scratch or damage the part and insert Wood Dowel (J) into the designated holes as shown.

STEP 16



Refer to Drawing 16A
 Attach Base Panel (12) to Drawer Left and Right Panels (14A & 14B) via wood dowels on (14A & 14B).
 Use Screw (G) to fasten (12) to side panels. Do not tighten screws completely until both screws are in place in each panel.

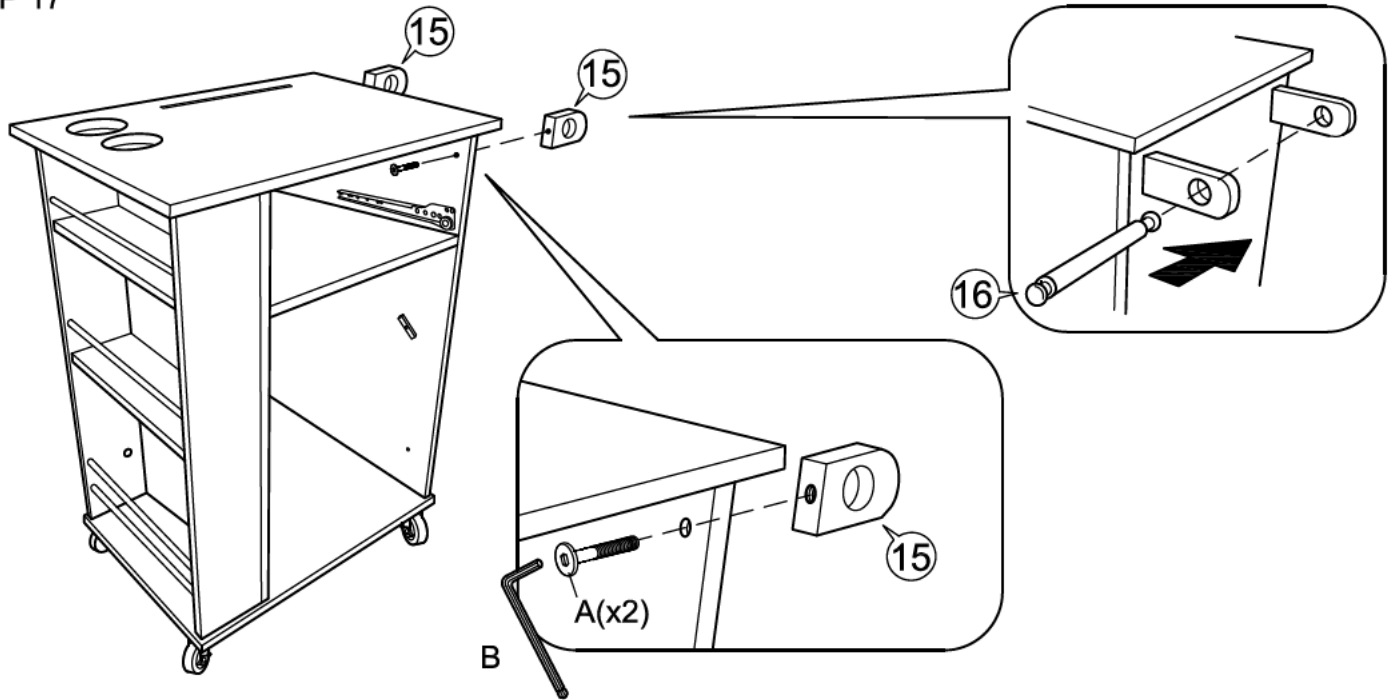
Refer to Drawing 16B
 Attach Drawer Assembly from STEP 16A to Front Door Panel (13) from STEP 15 via cam-bolts and wood dowels on (13).
 Next, insert Cam-lock (E) into the designated holes on Drawer Side Panels then turn clockwise to lock onto cam-bolt on (13).

Refer to Drawing 16C
 Use Screw (I) to fasten Base Panel (12) to Front Door Panel (13). Do not tighten the screws completely until both screws are in place.

ASSEMBLY INSTRUCTIONS

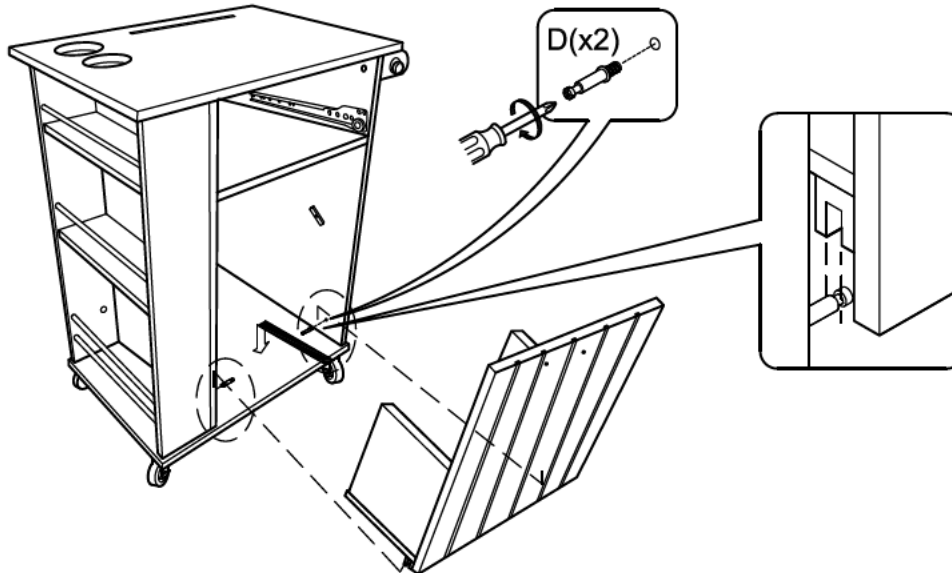
KITCHEN CART

STEP 17



- a) Use Allen Key (B) to drive Bolt (A) to fasten Towel Rod Holder (15) to Right Panel.
- b) Slide Towel Rod (16) to sit and fit between Towel Holders.

STEP 18

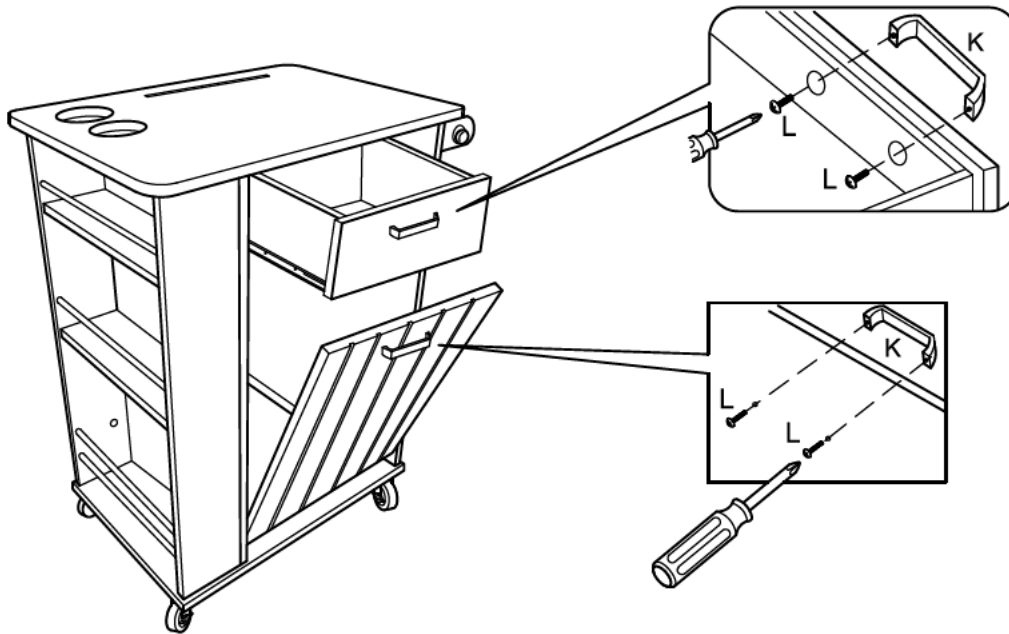


- a) Screw in Cam-bolt (D) into designated hole on Left and Right Panel.
- b) Fit Front Door-Drawer Assembly completed in STEP 16 into the designated compartment by positioning the slot on the Base Panel to sit on the Cam-bolt (D) - refer to enlarged Drawing.

ASSEMBLY INSTRUCTIONS

KITCHEN CART

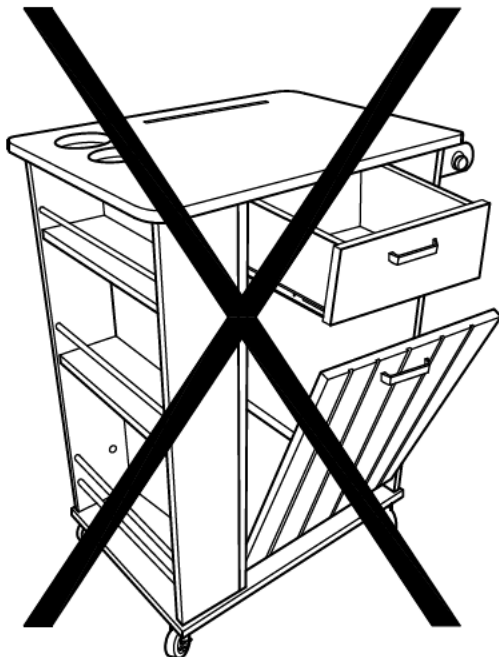
STEP 19



a) Insert the Drawers;

Position roller on Drawer Runner on drawer to be above the roller on Drawer Track on each Side Panel, and slide roller on Drawer Runner into track rail on Drawer Track. Next, push drawer squarely and gently to allow Drawer Runner to slide into Drawer Track.

b) Use Screw (L) to affix handle (K) to Front Door Panel and Drawer Front Panel.



CAUTION:

Do not open drawer and bin simultaneously as it can cause the cart to tip over.