

# Cone Top Chimney Cap

## SECTION A

### Instructions



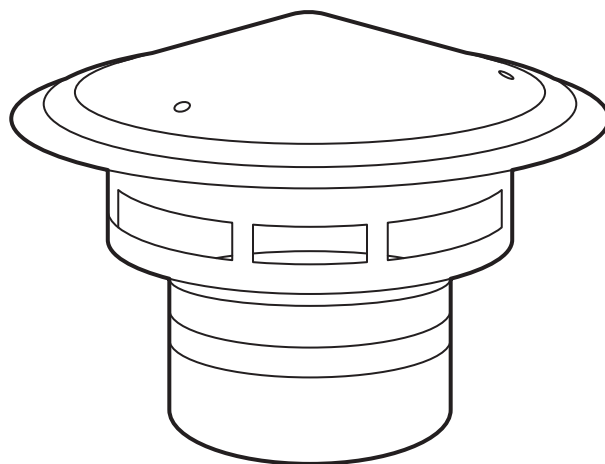
1. Pick up all items from the package
2. Attach the chimney cap by snapping it onto the chimney, no additional installation steps are necessary.

## SECTION B

### Attention



Pay attention to the product edges during assembly to avoid scratches.



Thank You for Purchasing from

**VIVOHOME**

Made in China