

Chair and Ottoman

OUR BRAND

Since 2013, We have been dedicated to providing customers with quality products and exceptional service and has prospered into one of the nation's largest retailers of indoor and outdoor home décor. Every product is carefully selected to ensure they meet our standards as well as your standards. We believe quality should never be determined by price which is committed to providing high end merchandise at the absolute lowest cost.



Estimated Time for Assembly

05:00-10:00



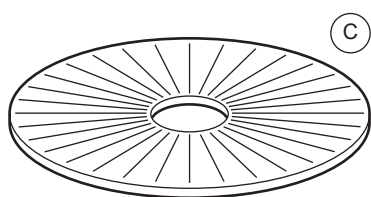
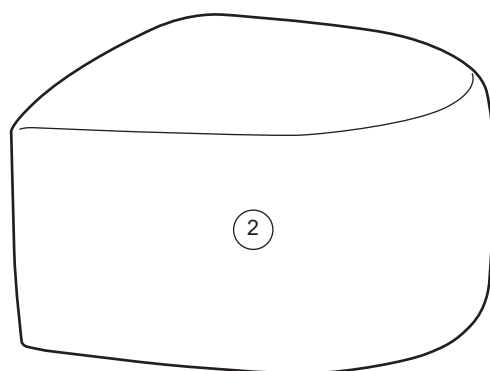
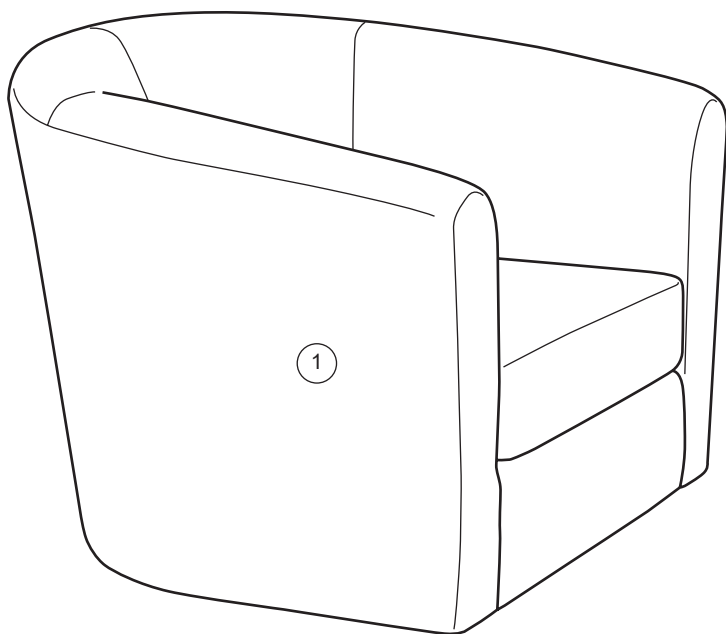
Weight Limitation

300 lb

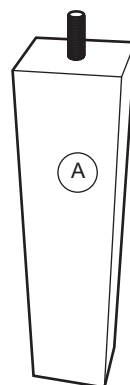
Tools Needed

All necessary tools are included in the package.

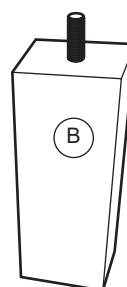
PACKAGE CONTENT



4x

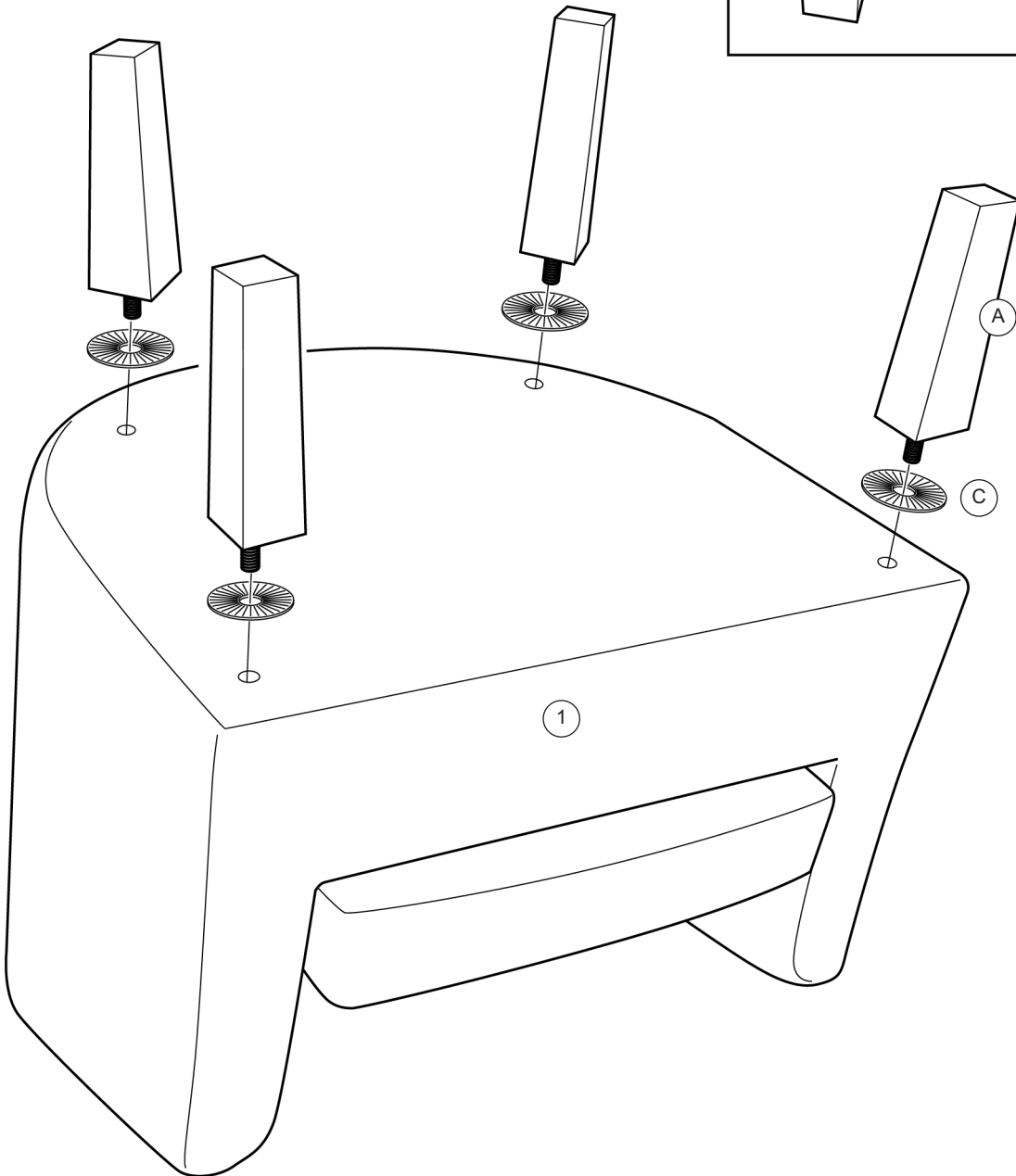
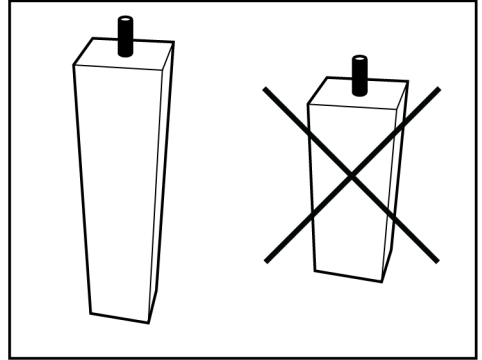
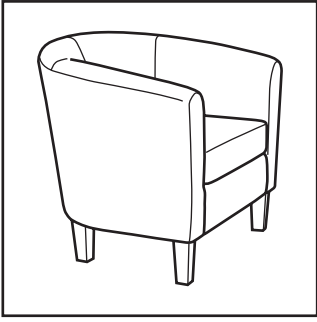


4x

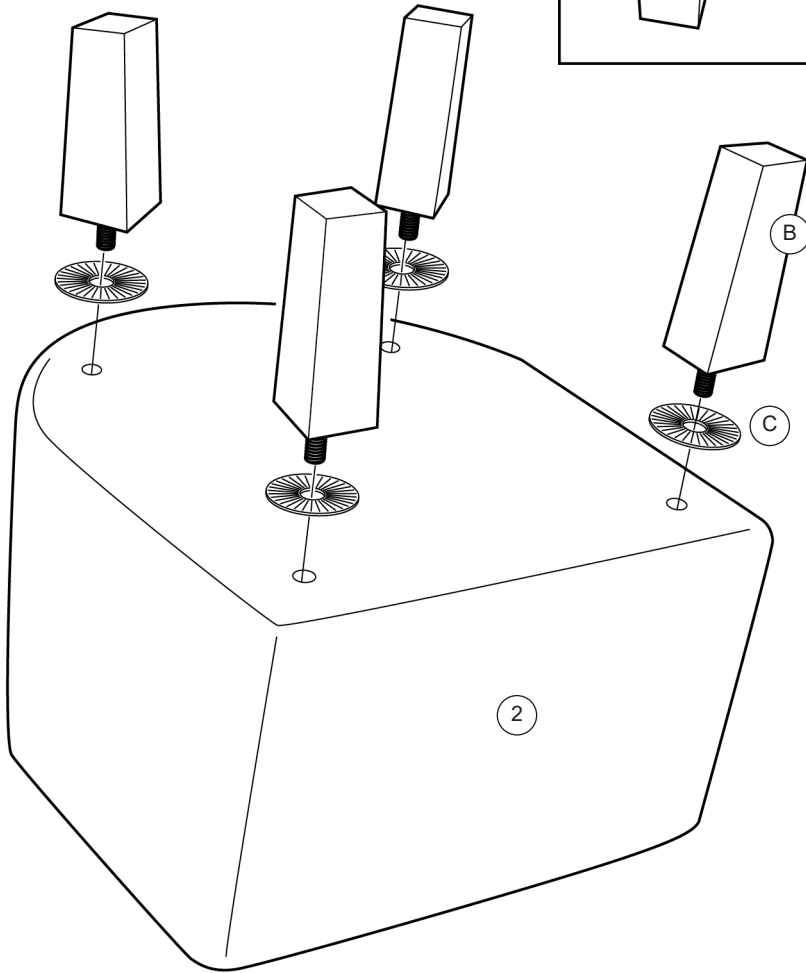
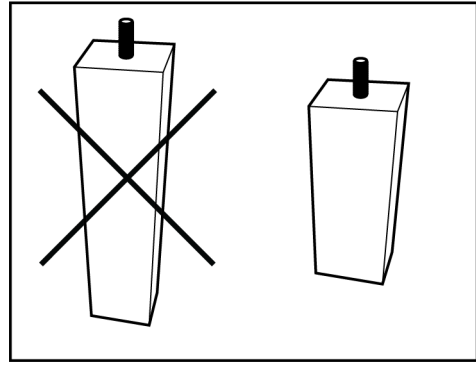
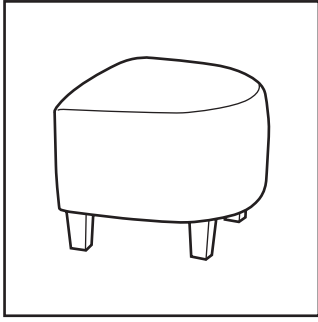


4x

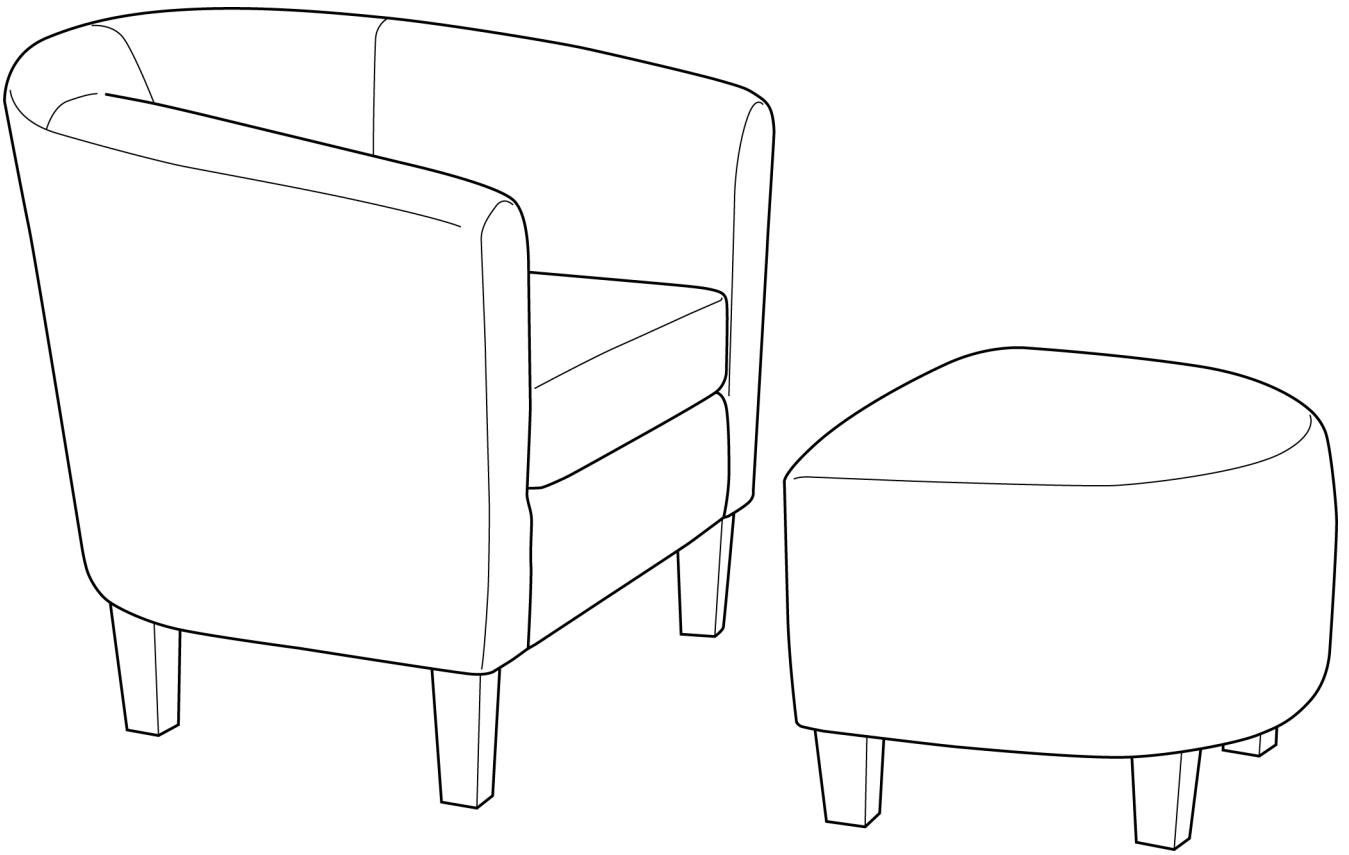
1



2



3



FINISH!

Warranty

Our products come with a 1 year warranty from the date of purchase. In any event that the product arrives damaged or missing parts, we are more than happy to provide you with replacement part(s).