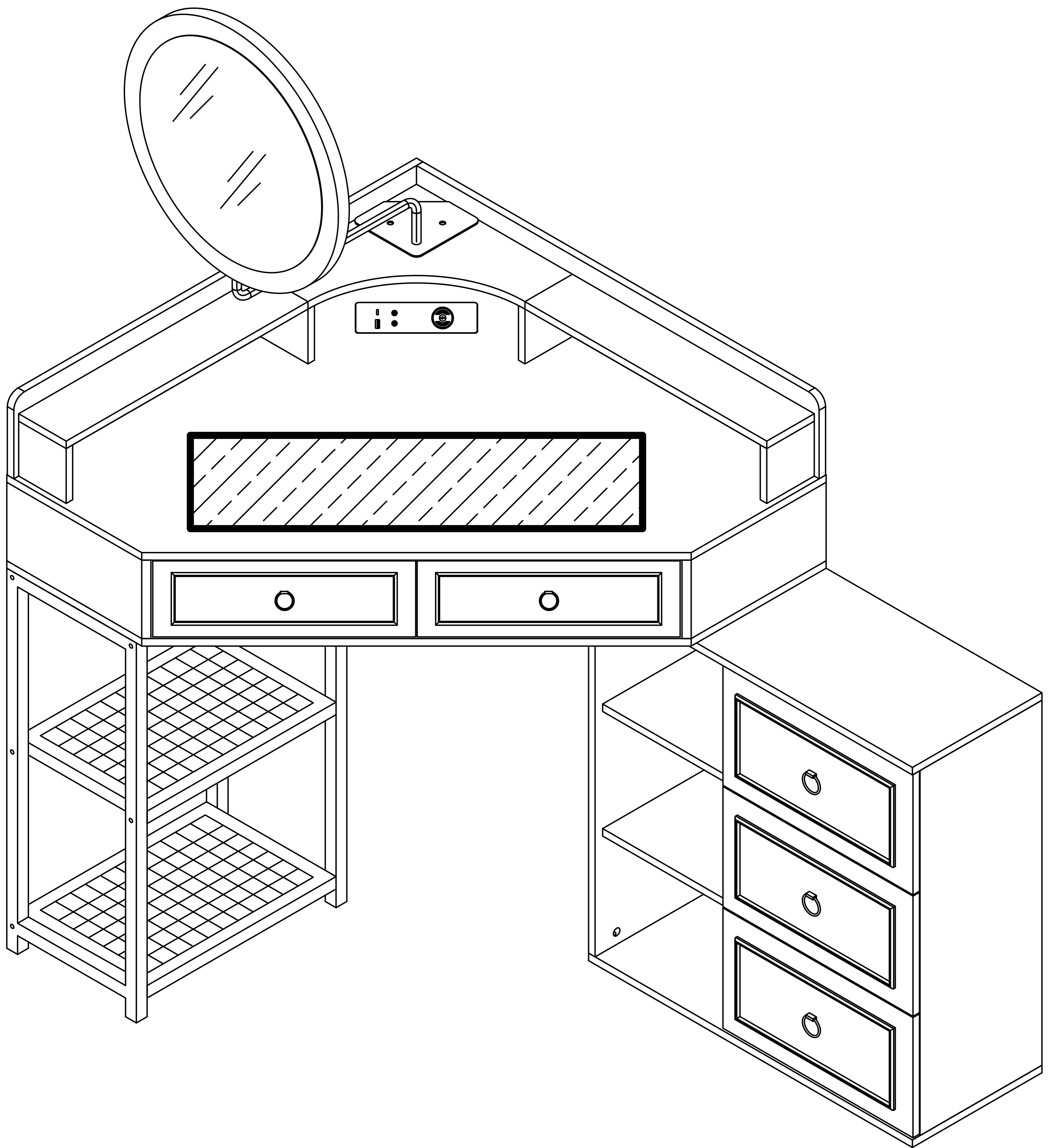
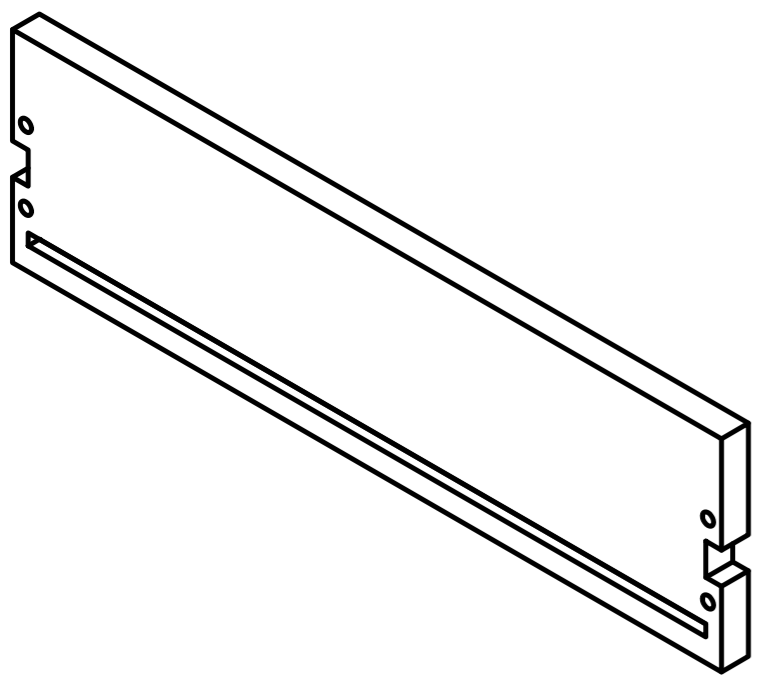
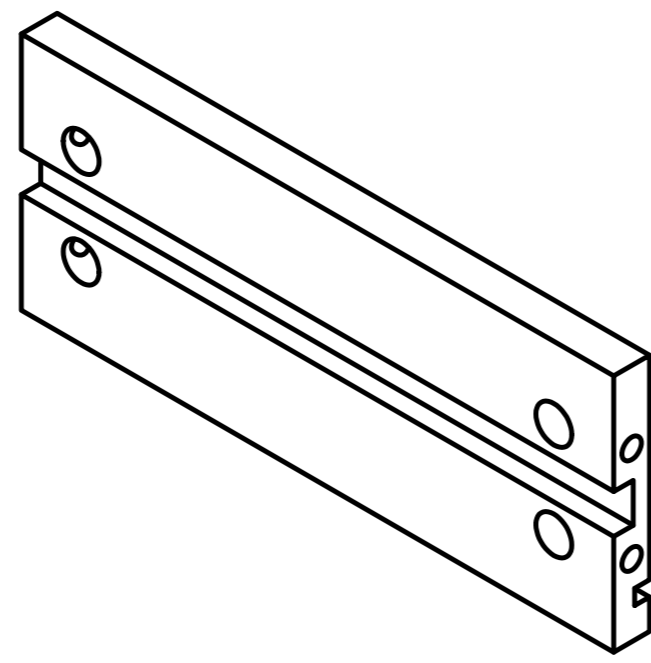


Vanity Table Manual

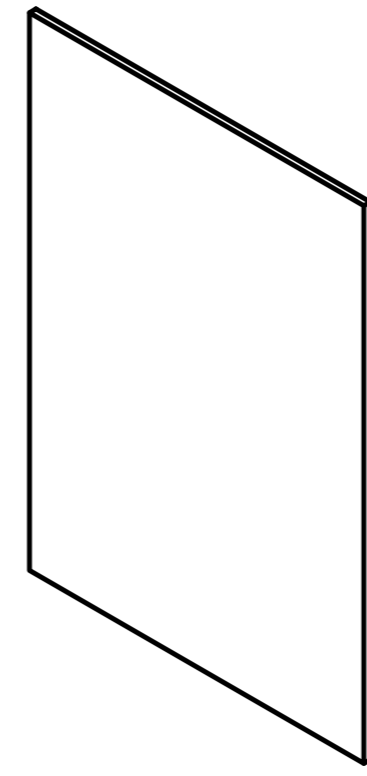




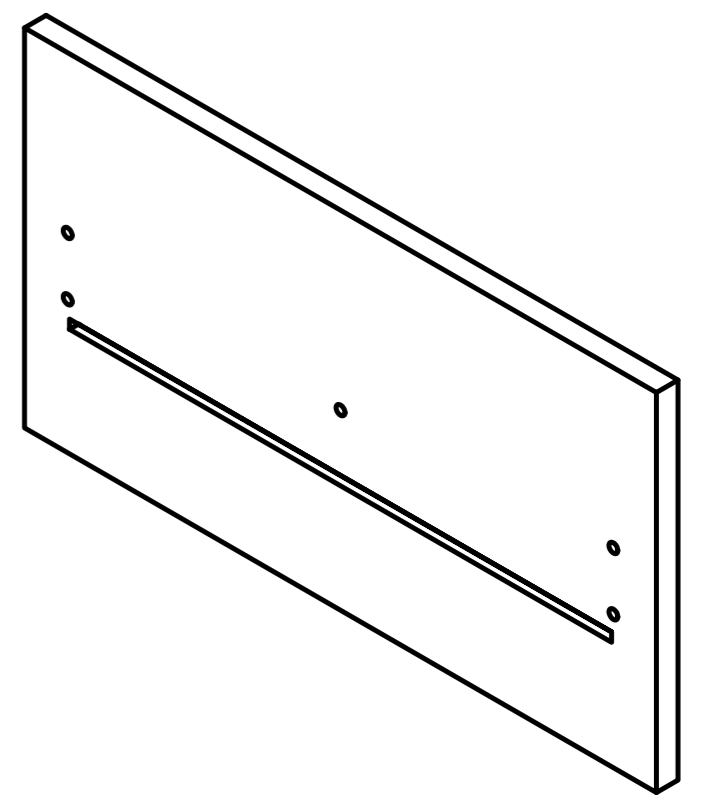
1x3



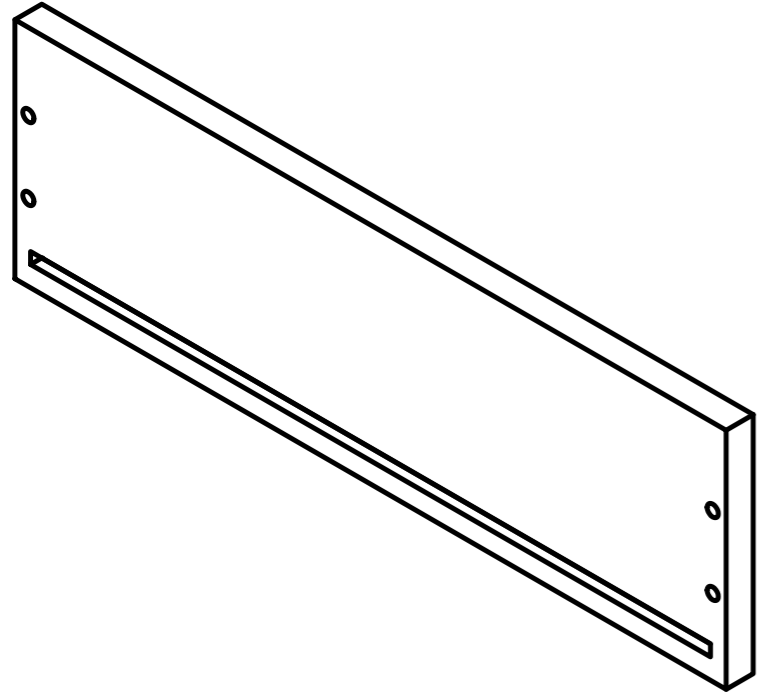
2x6



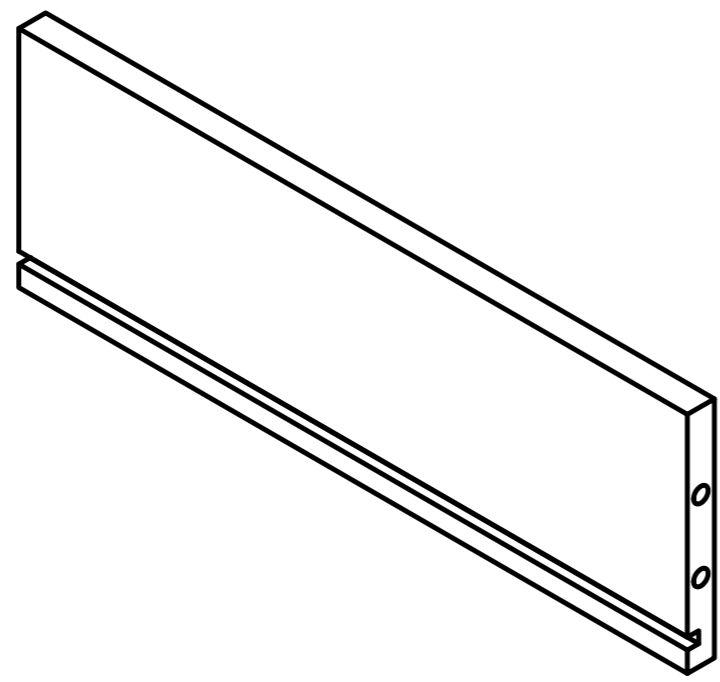
3x3



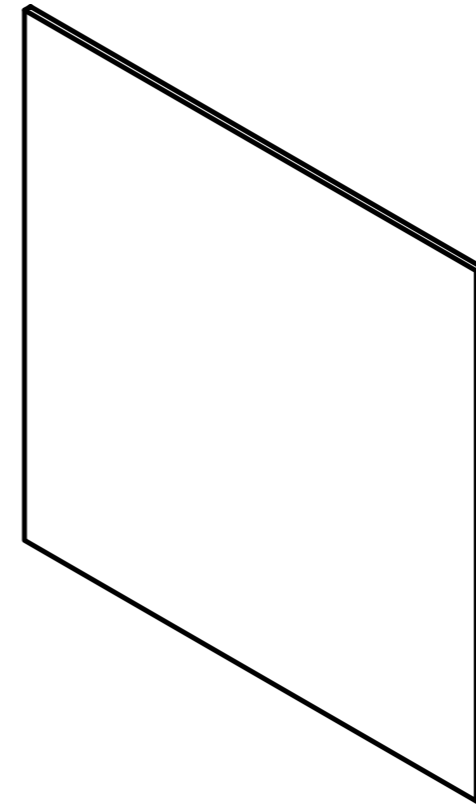
4x3



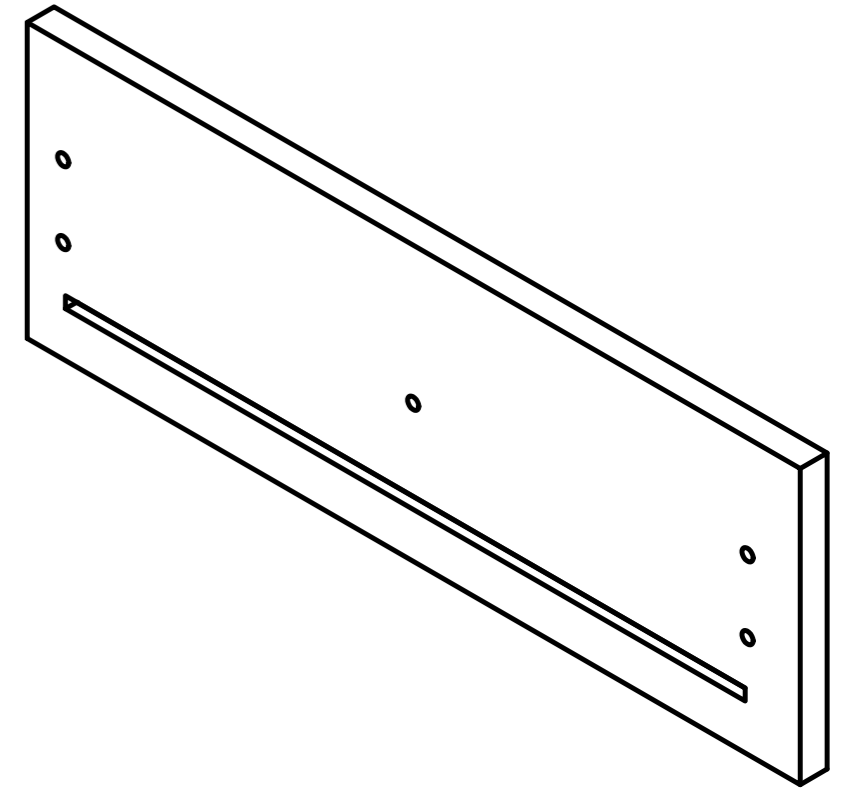
5x2



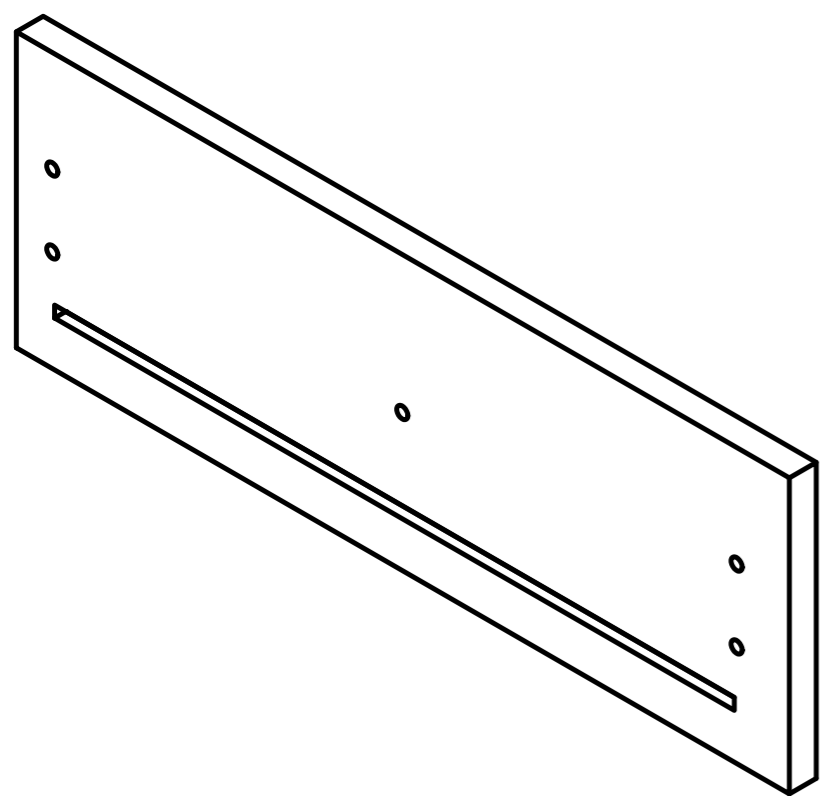
6x4



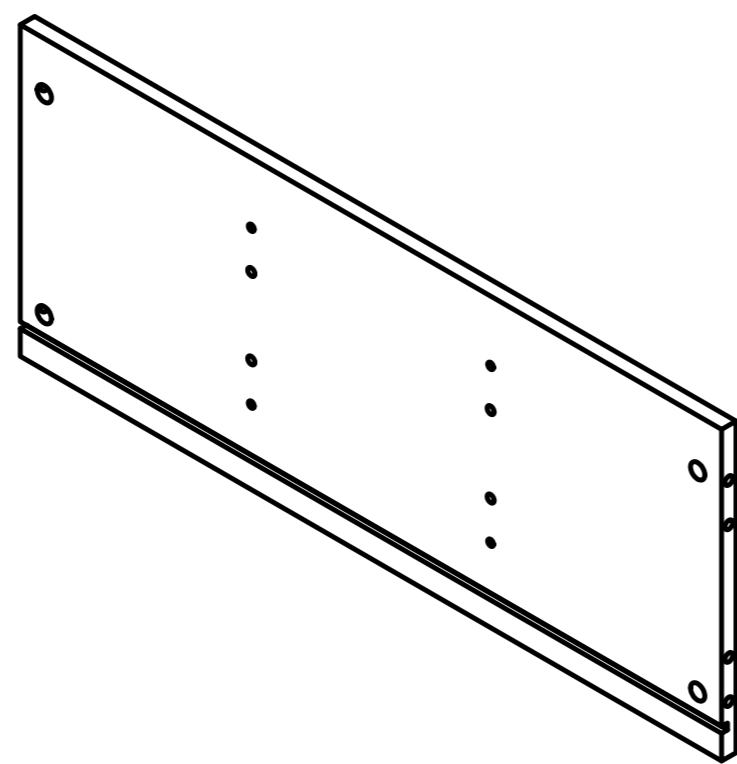
7x2



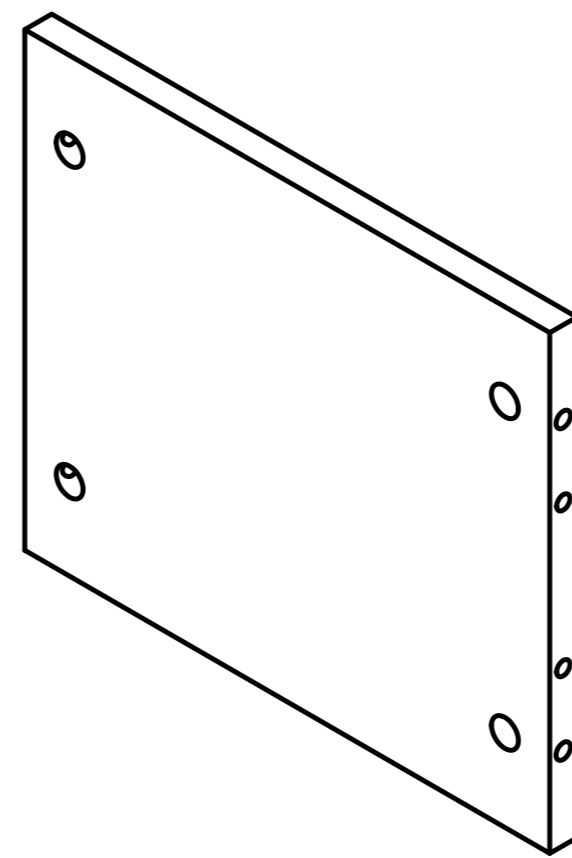
8x1



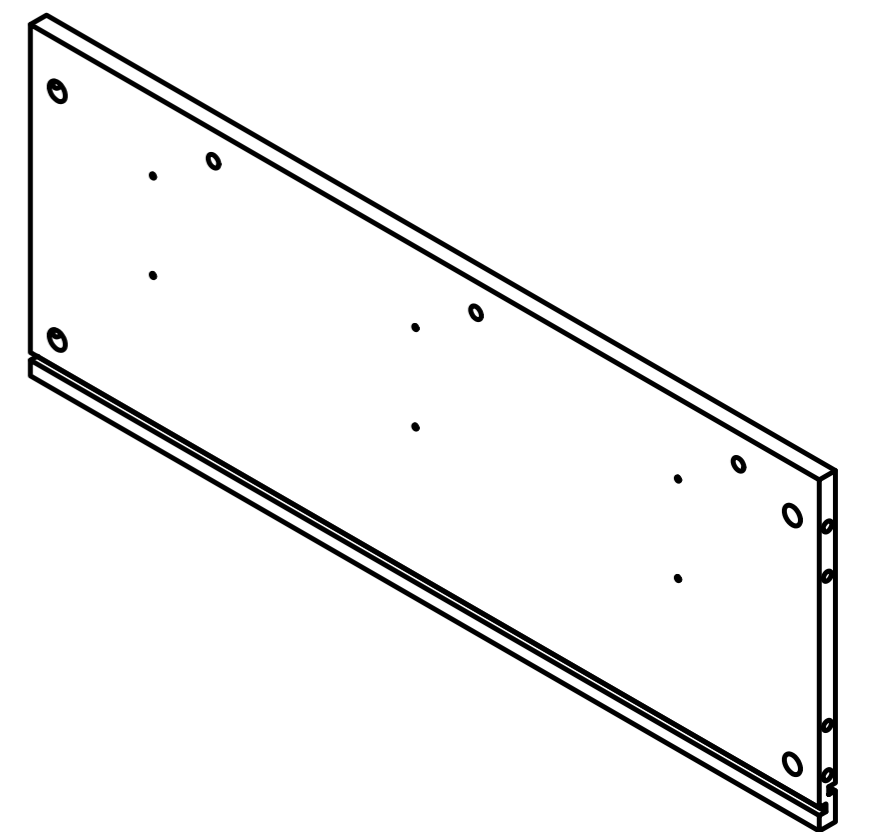
9x1



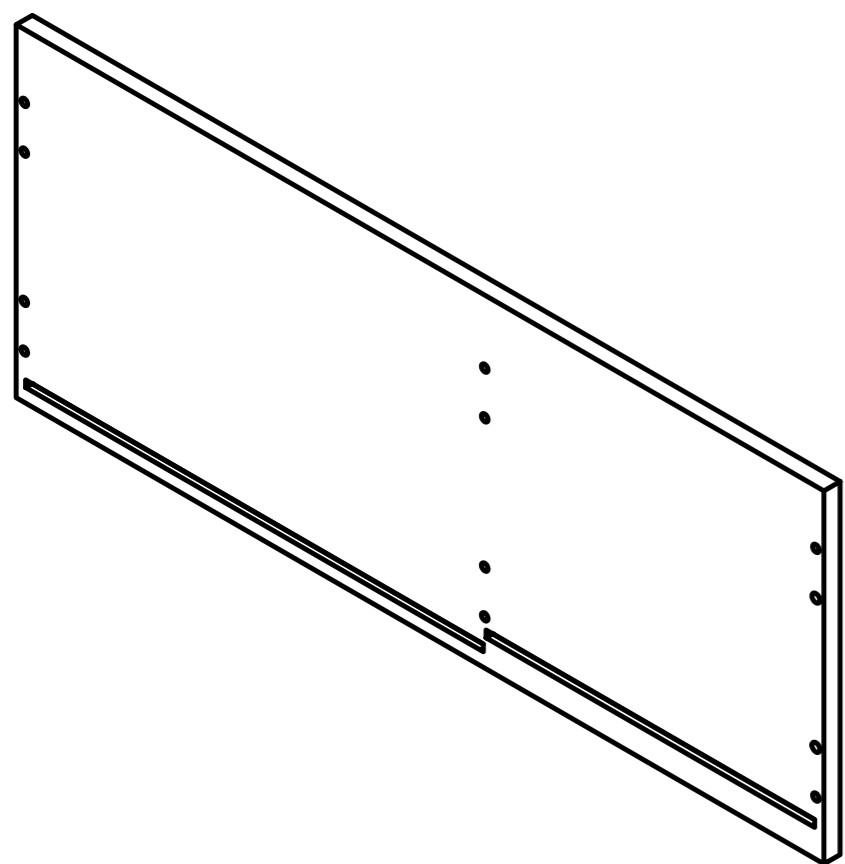
10x1



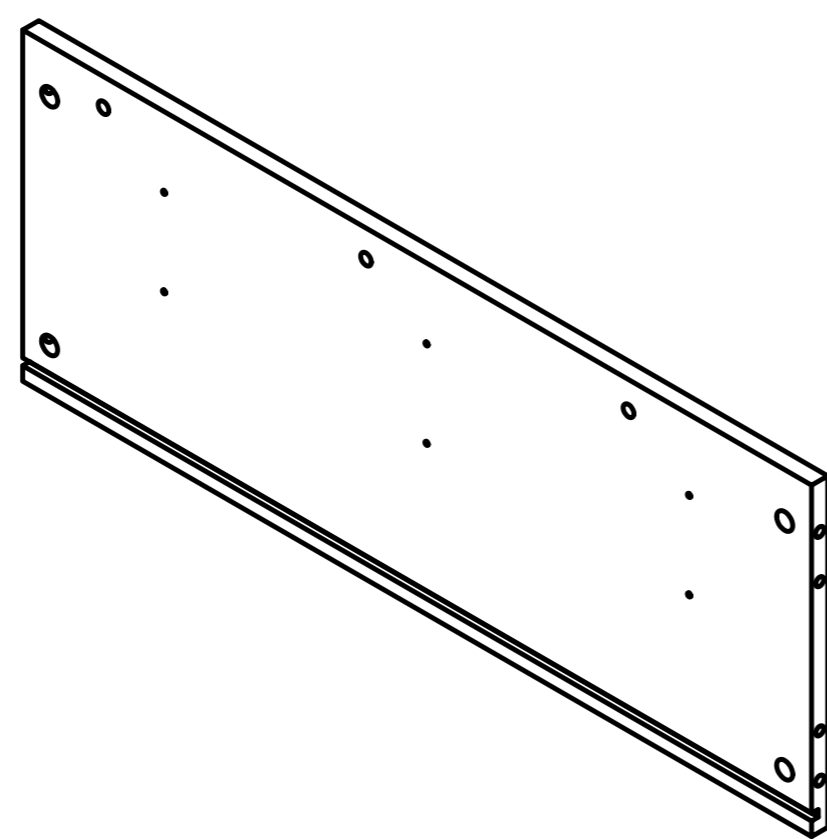
11x2



12x1



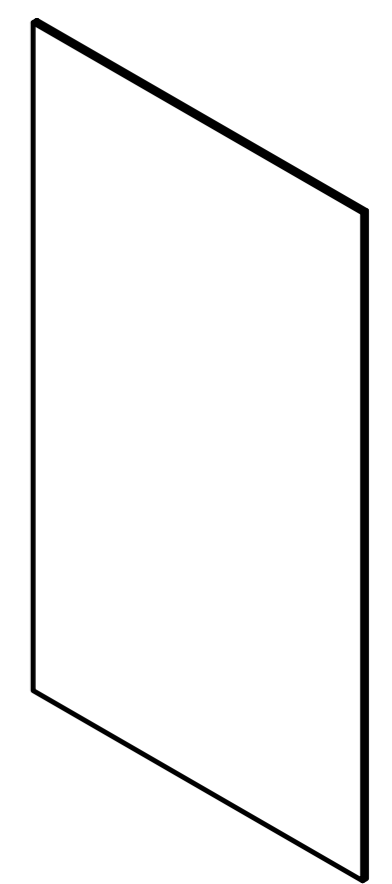
13x1



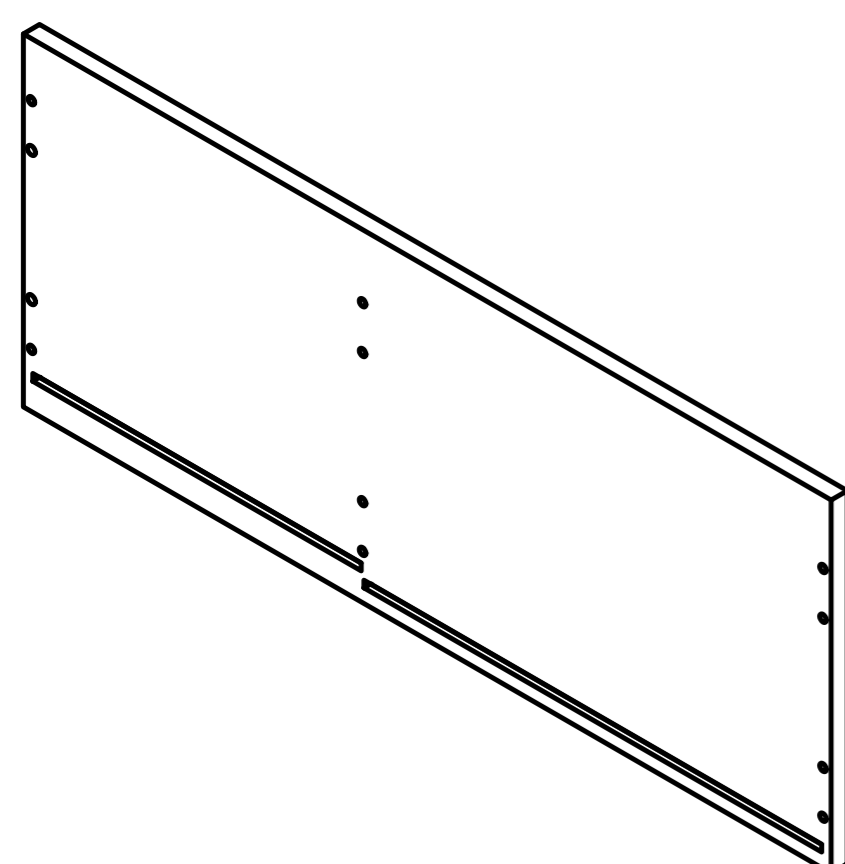
14x1



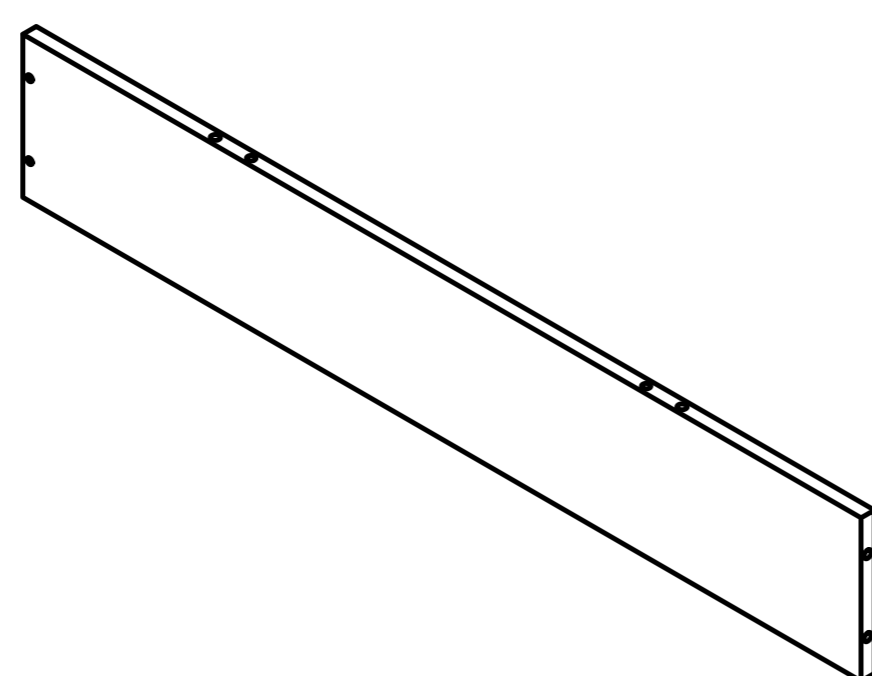
15x1



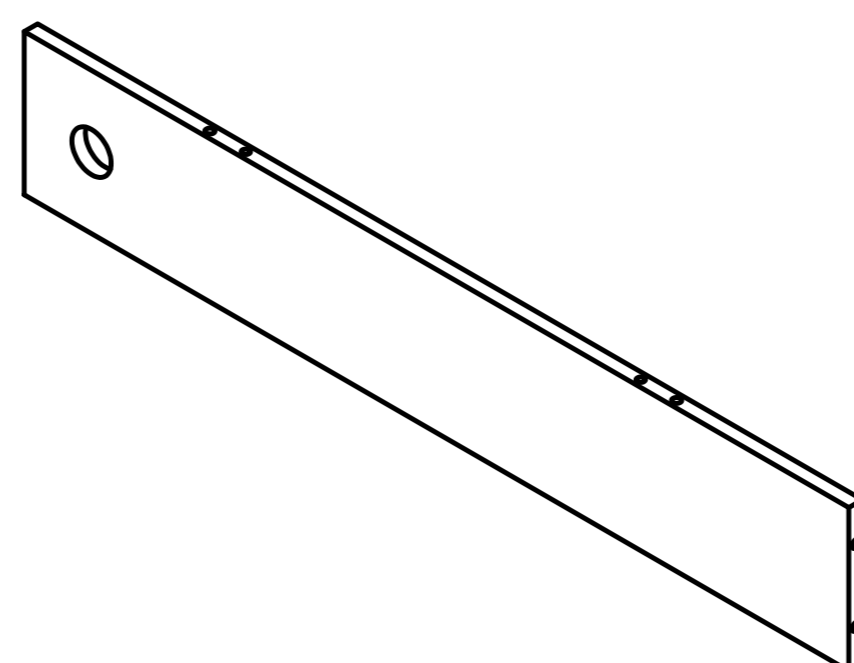
16x1



17x1



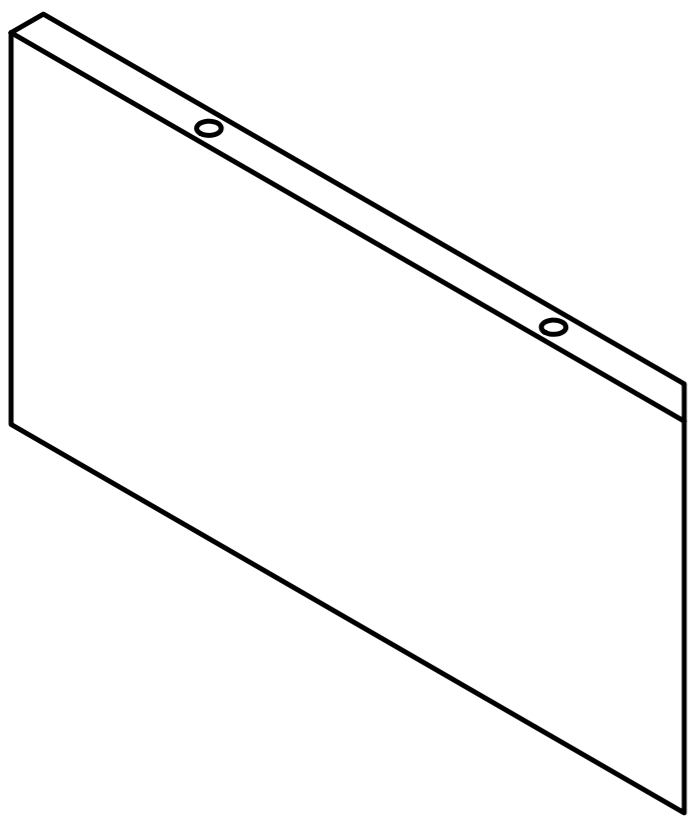
18x1



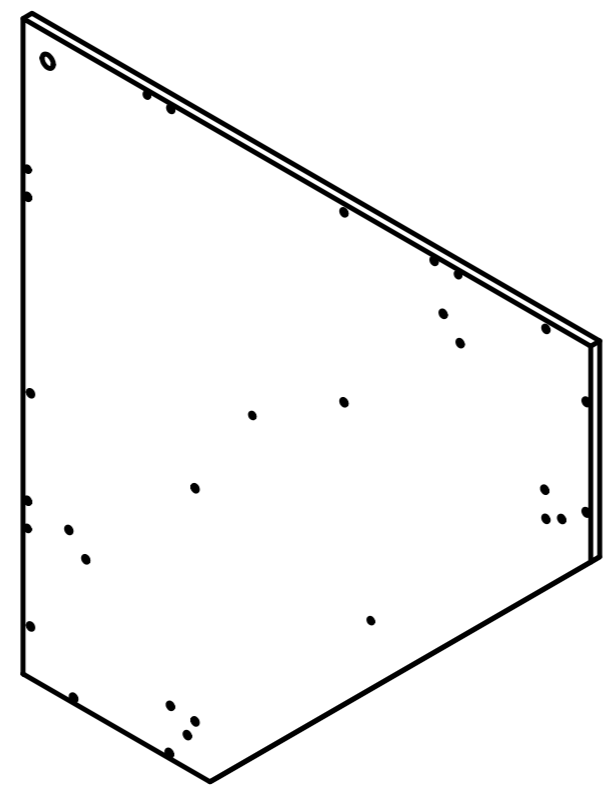
19x1



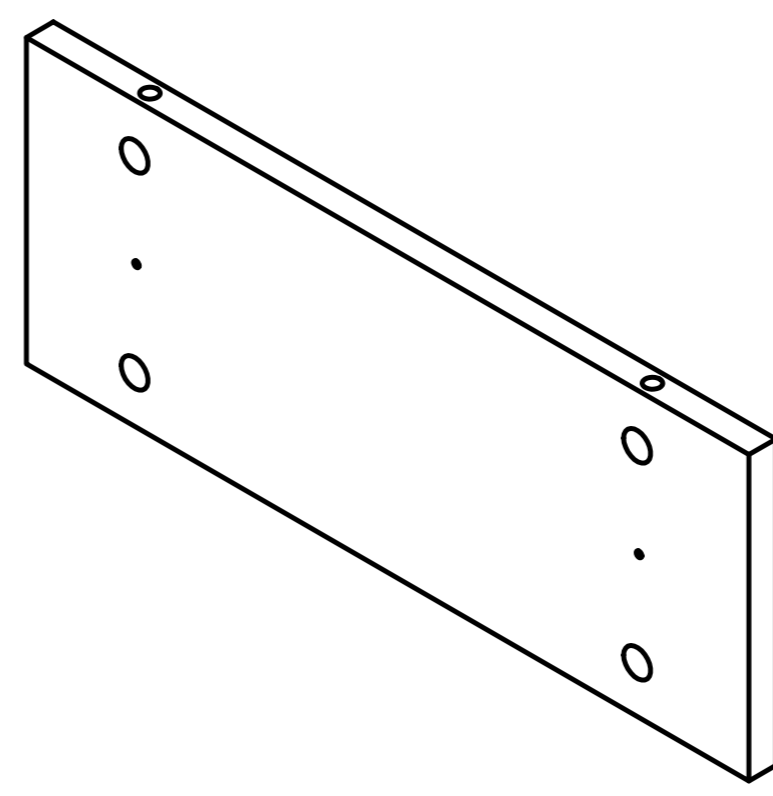
3



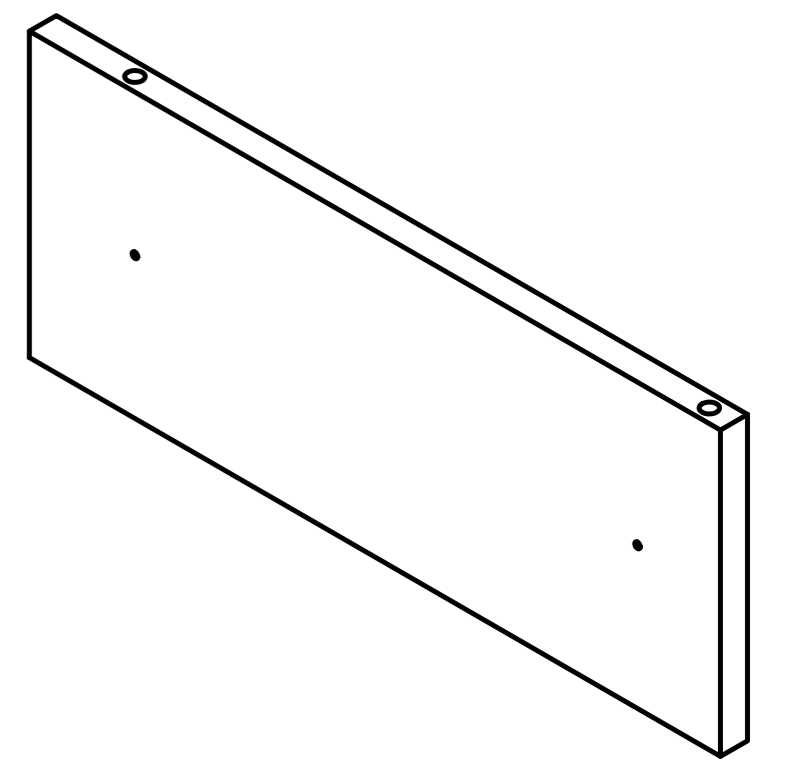
20x2



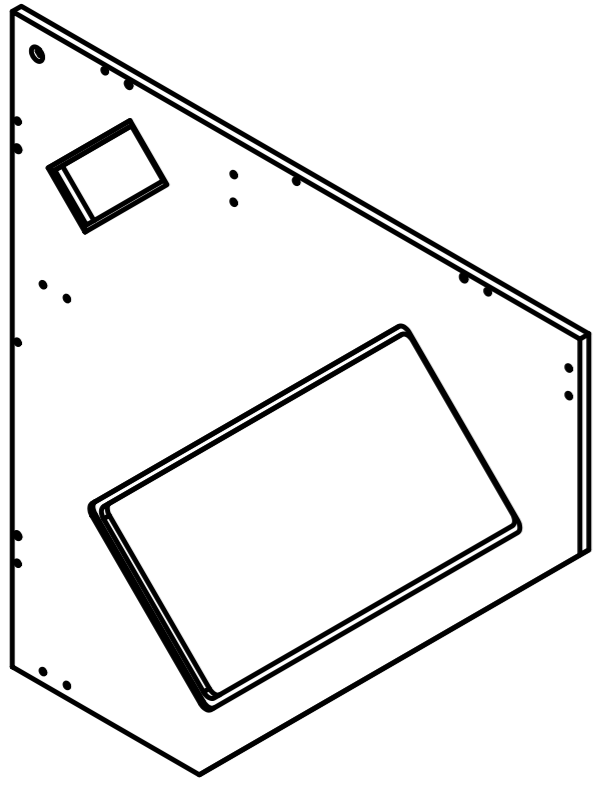
21x1



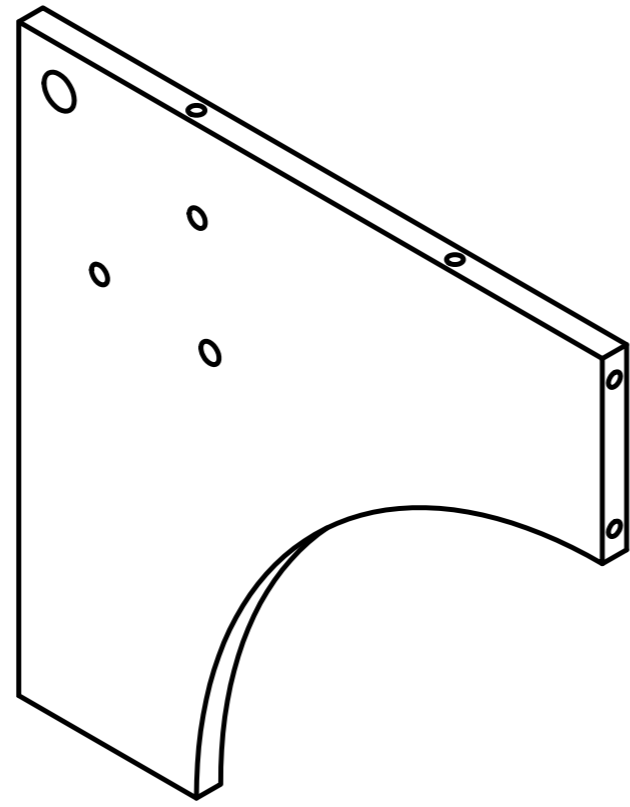
22x2



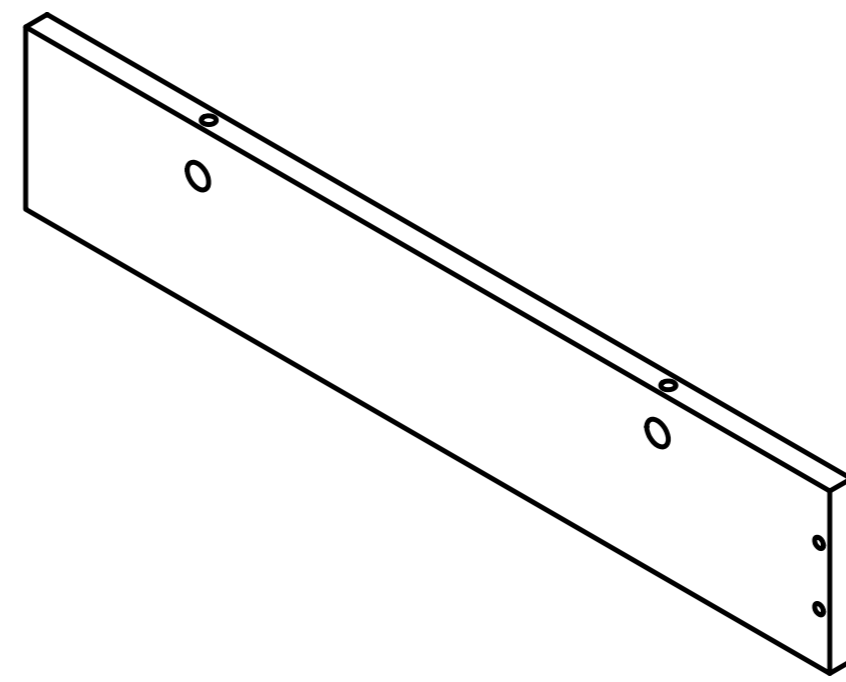
23x1



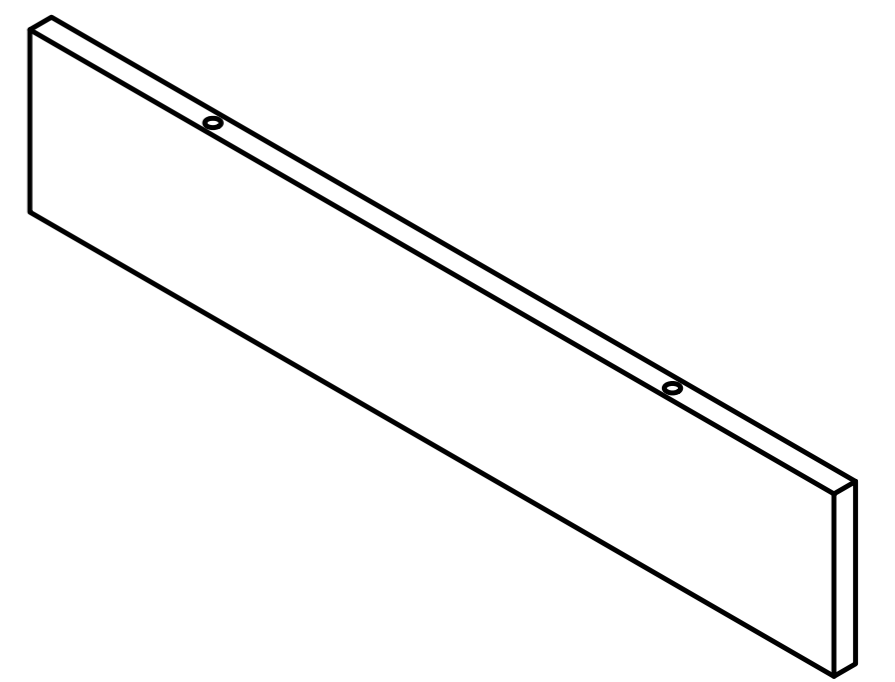
24x1



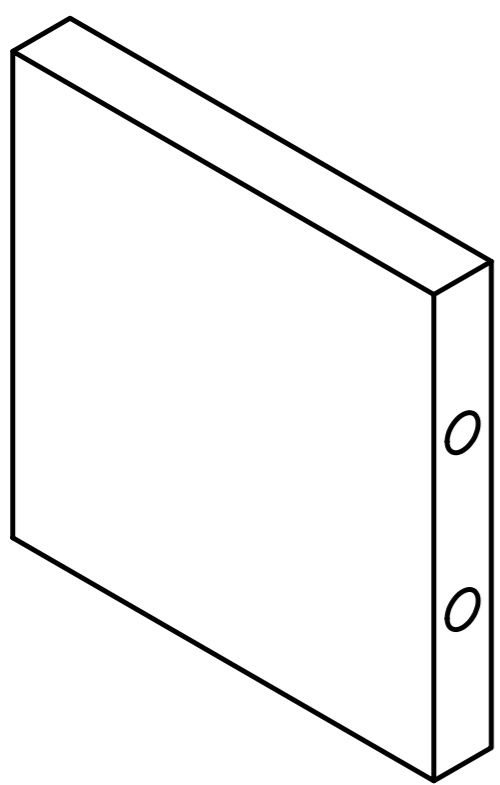
25x1



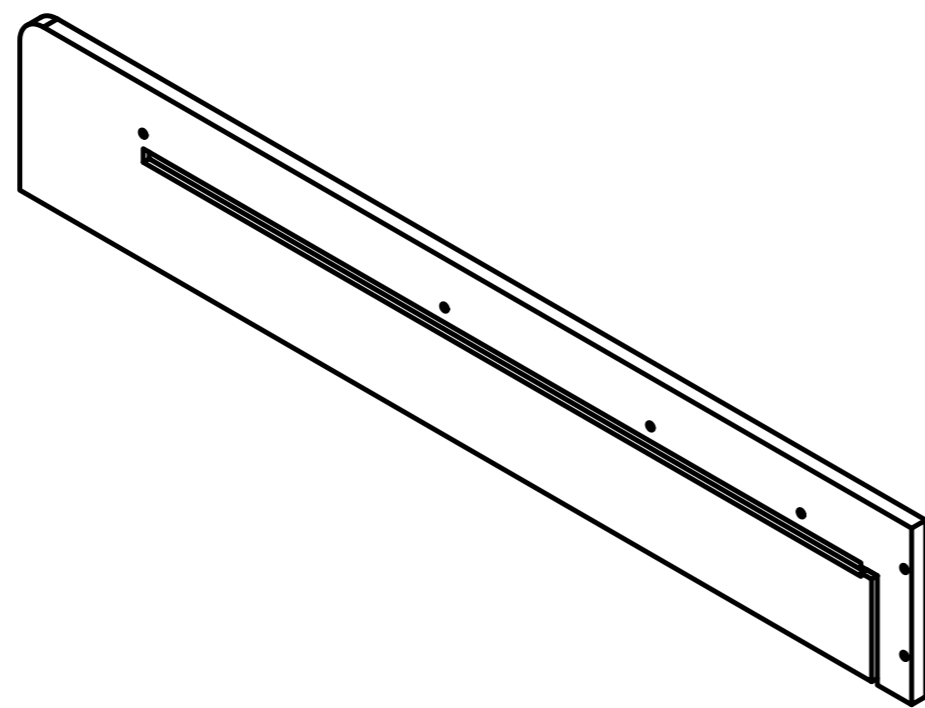
26x1



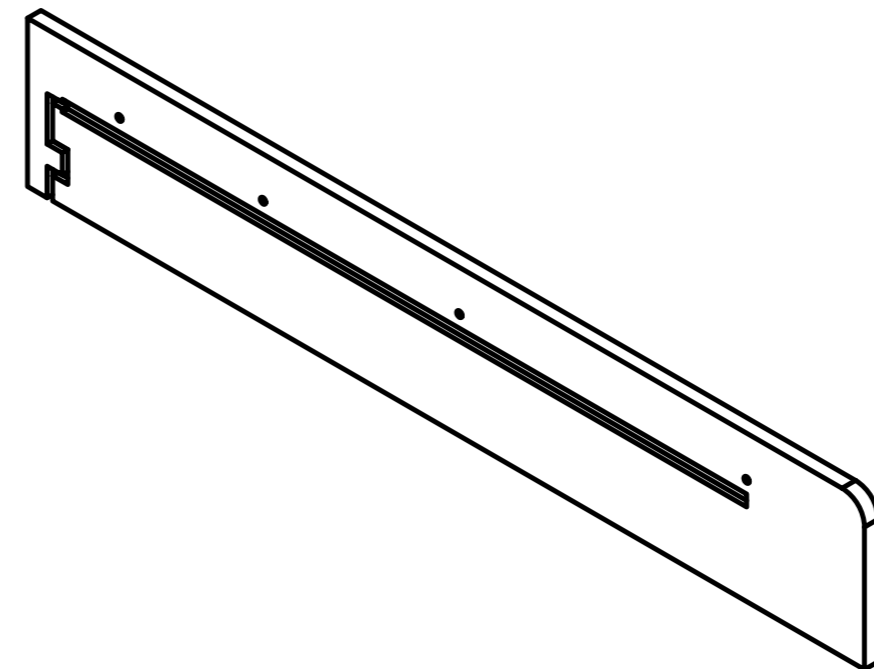
27x1



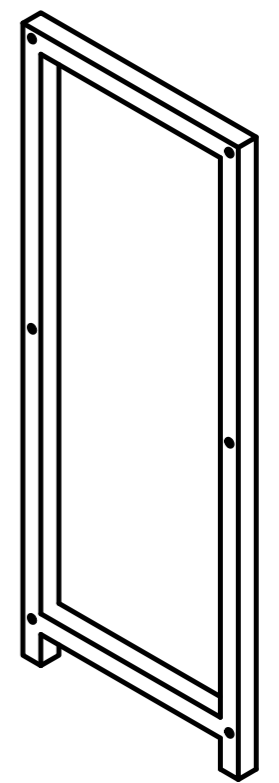
28x4



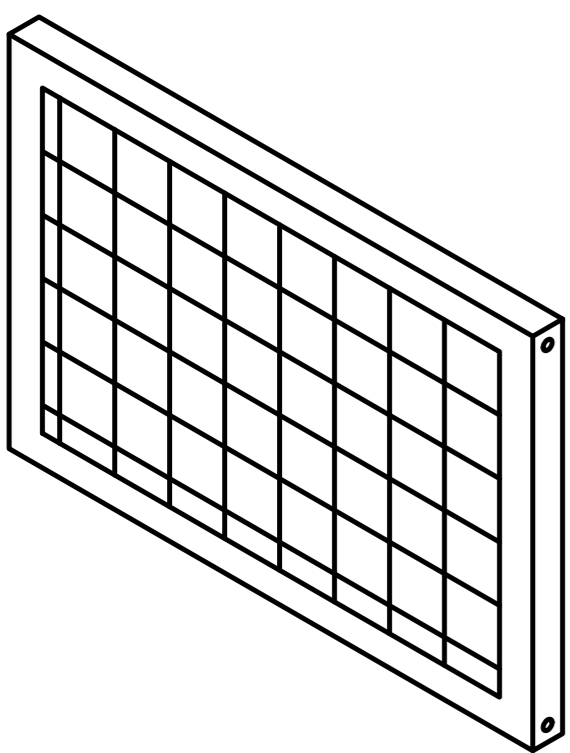
29x1



30x1



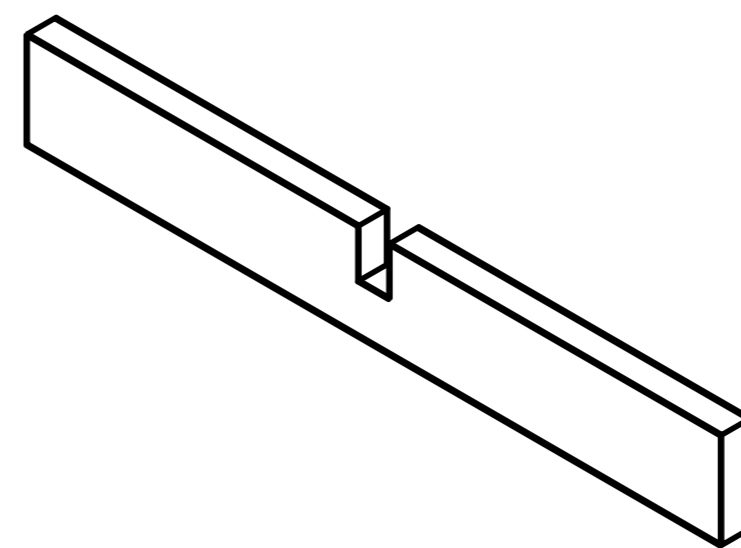
31x2



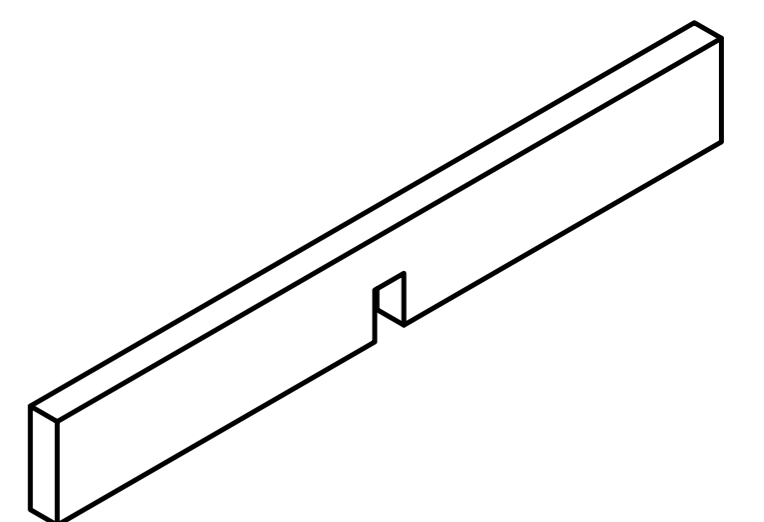
32x2



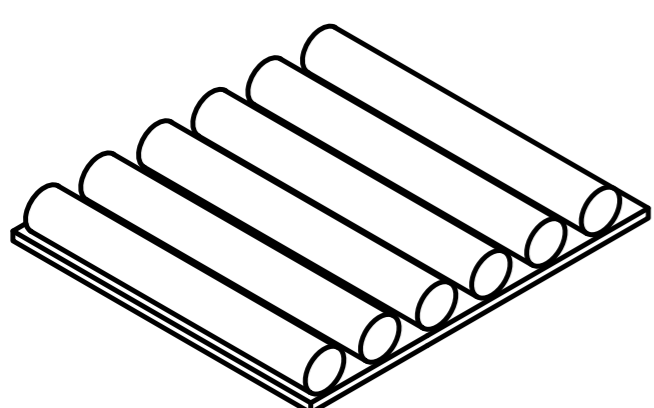
33x2



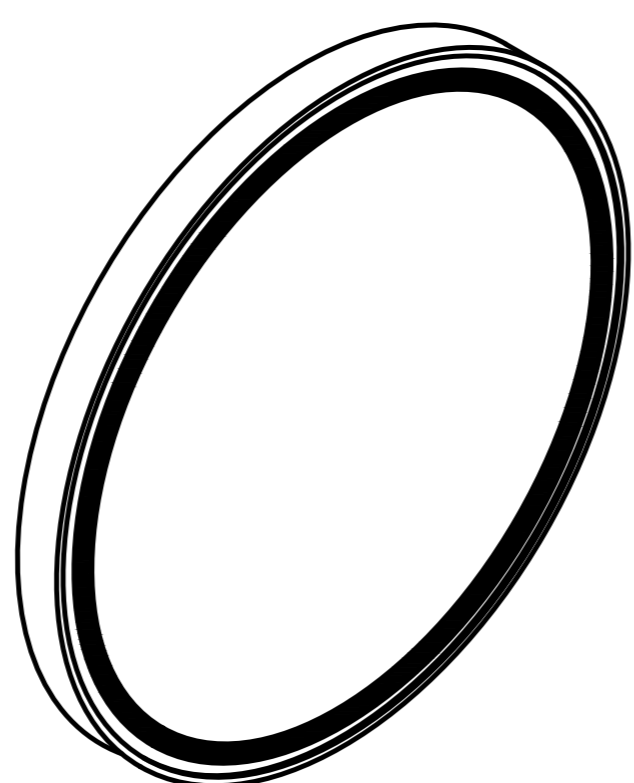
34x1



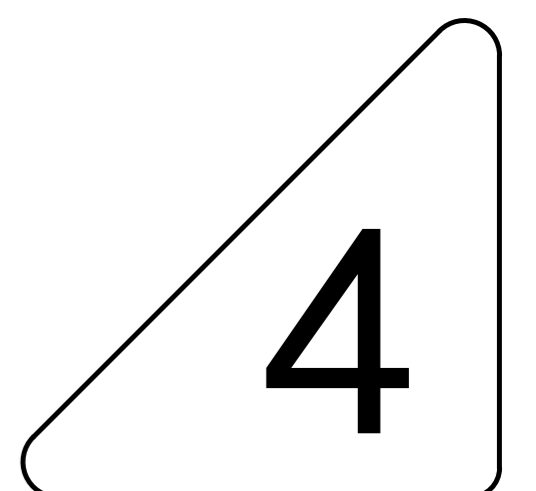
35x1



36x1

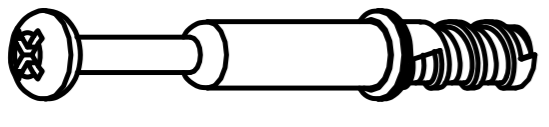
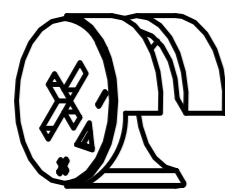

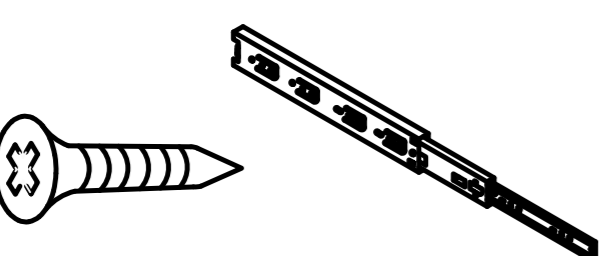
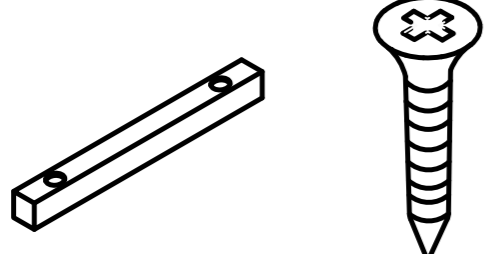

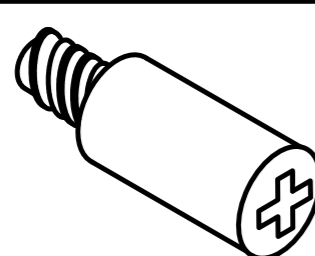
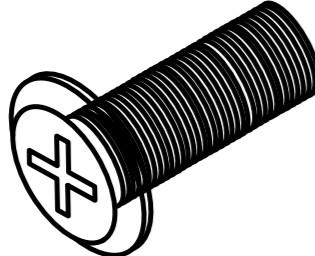
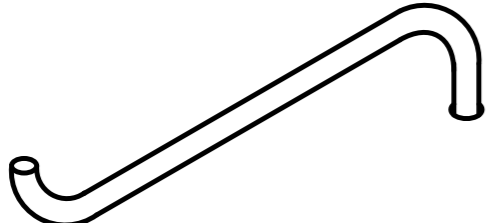
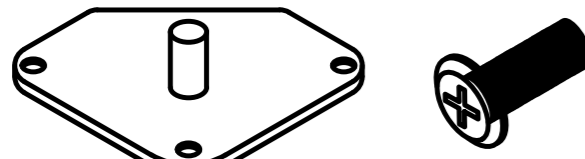
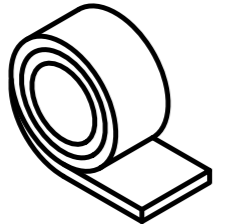
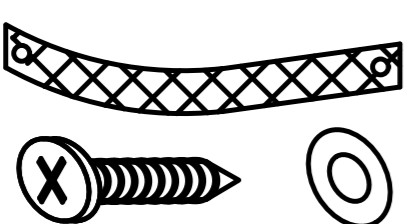

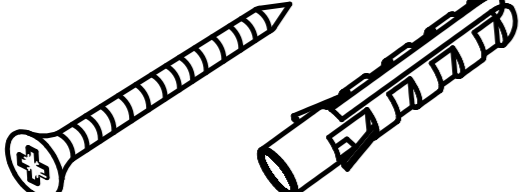
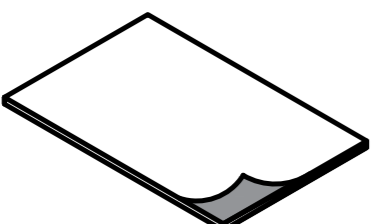
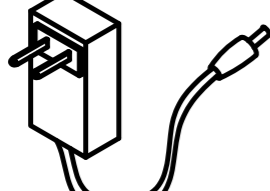



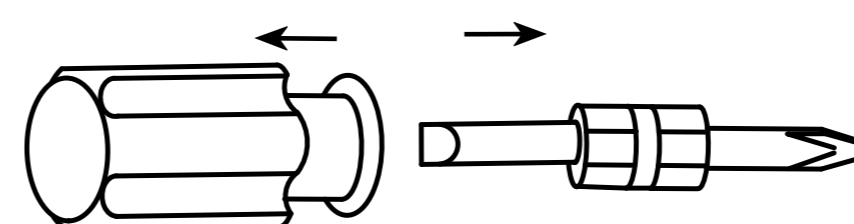
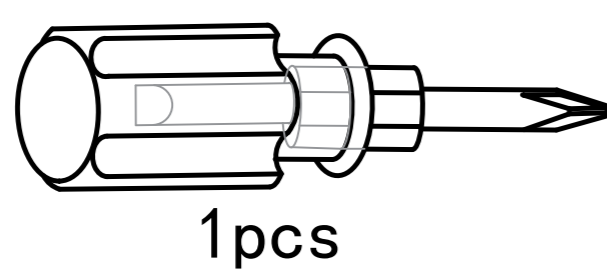
37x1



4

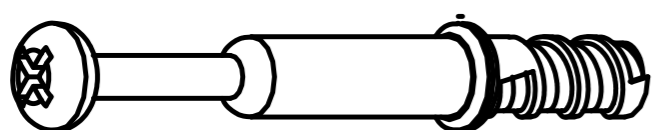
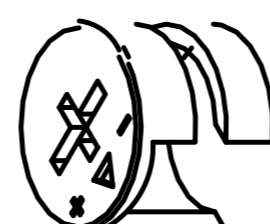



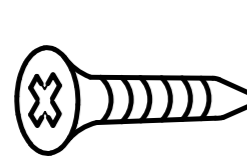
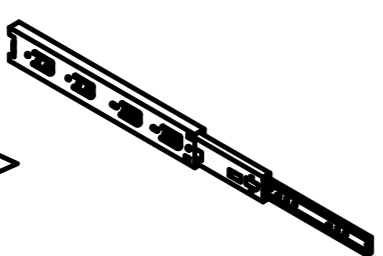
Accessories list

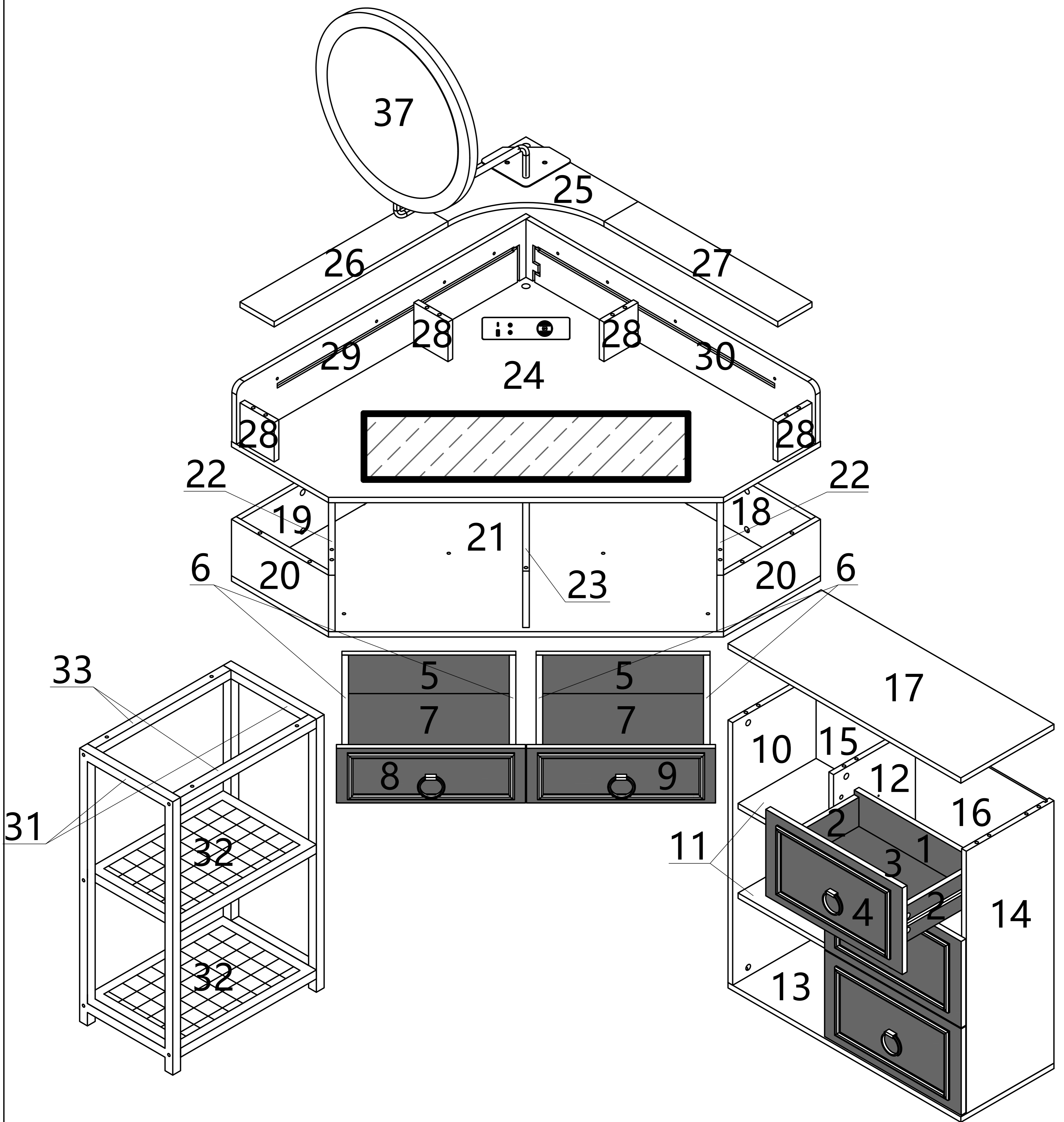
A		Two In One Screw (6x28mm)	118pcs +4pcs
B		Two In One Nut (10x12mm)	118pcs +4pcs
C		Pull loop handle (4x16mm)	5pcs
D		Screw & Guide (12inch) (3x12mm)	4pcs +4pcs 20pcs
E		Rubber strip guide & Screw (4x16mm)	6pcs +4pcs 12pcs
F		Wood Chipping (6x30mm)	52pcs +4pcs
G		Iron ba	6pcs +1pcs
H		Screw (6x30mm)	16pcs +1pcs
I		Mirror accessories	1pcs
J		Mirror accessories (6x16mm)	1pcs 3pcs
K		Plastic strip	2pcs
L		Anti-tipping tape Screw (3.5x12mm) Gasket	1pcs
M		Power cord extension cord	2pcs
N		Countersunk head tapping Screw (4x45mm)	1pcs
O		Non-slip pads	6pcs
P		AC/DC Adapter (12V = 3.0A)	1pcs
Q		Corner code (30x30x1.5) Screw (3.5x12mm)	1pcs +1pcs 4pcs



Double-head screwdriver, use as required

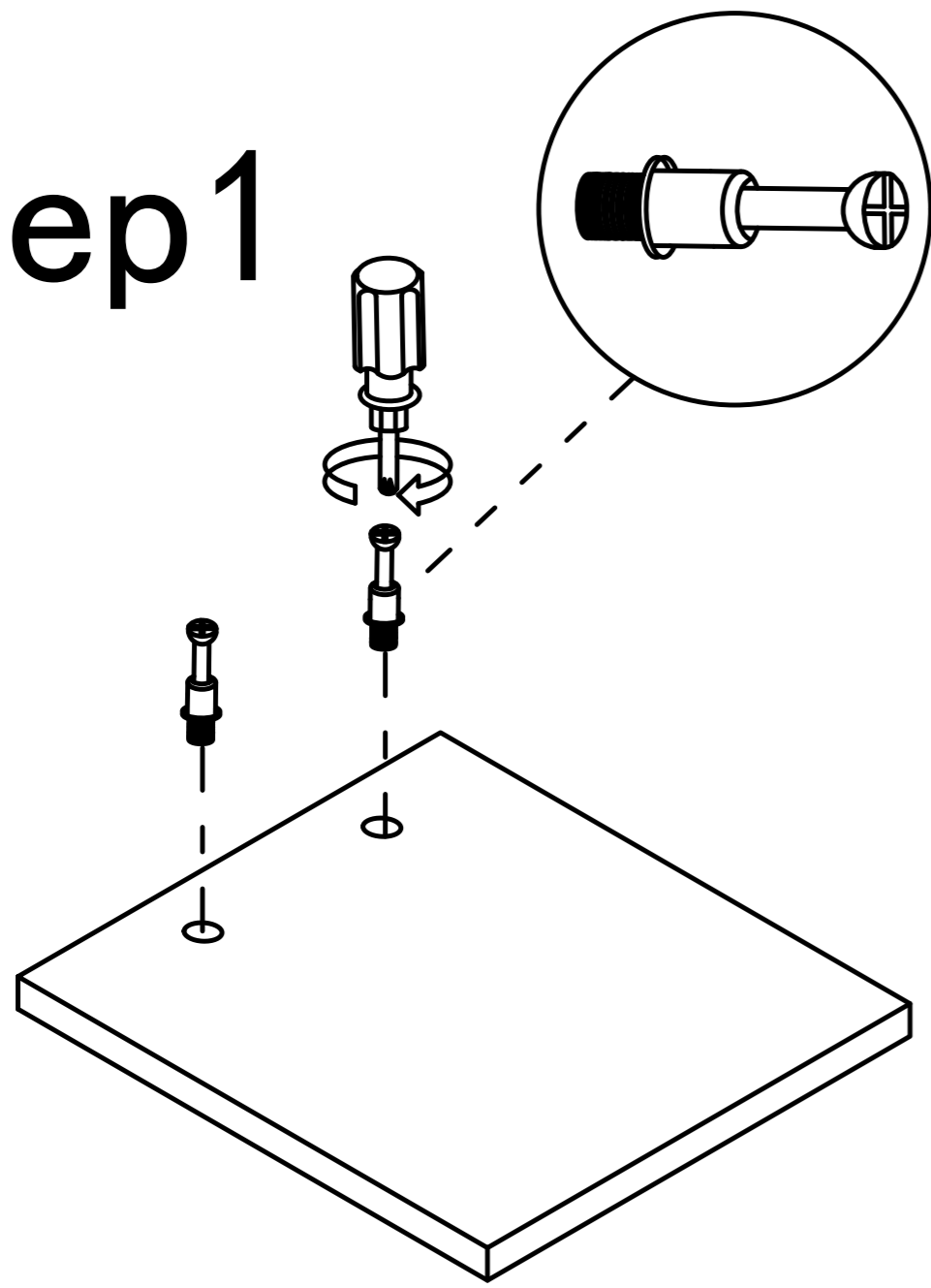


A		40pcs	B		40pcs	C	  	5pcs 5pcs 5pcs	
D	 	4pcs 8pcs							

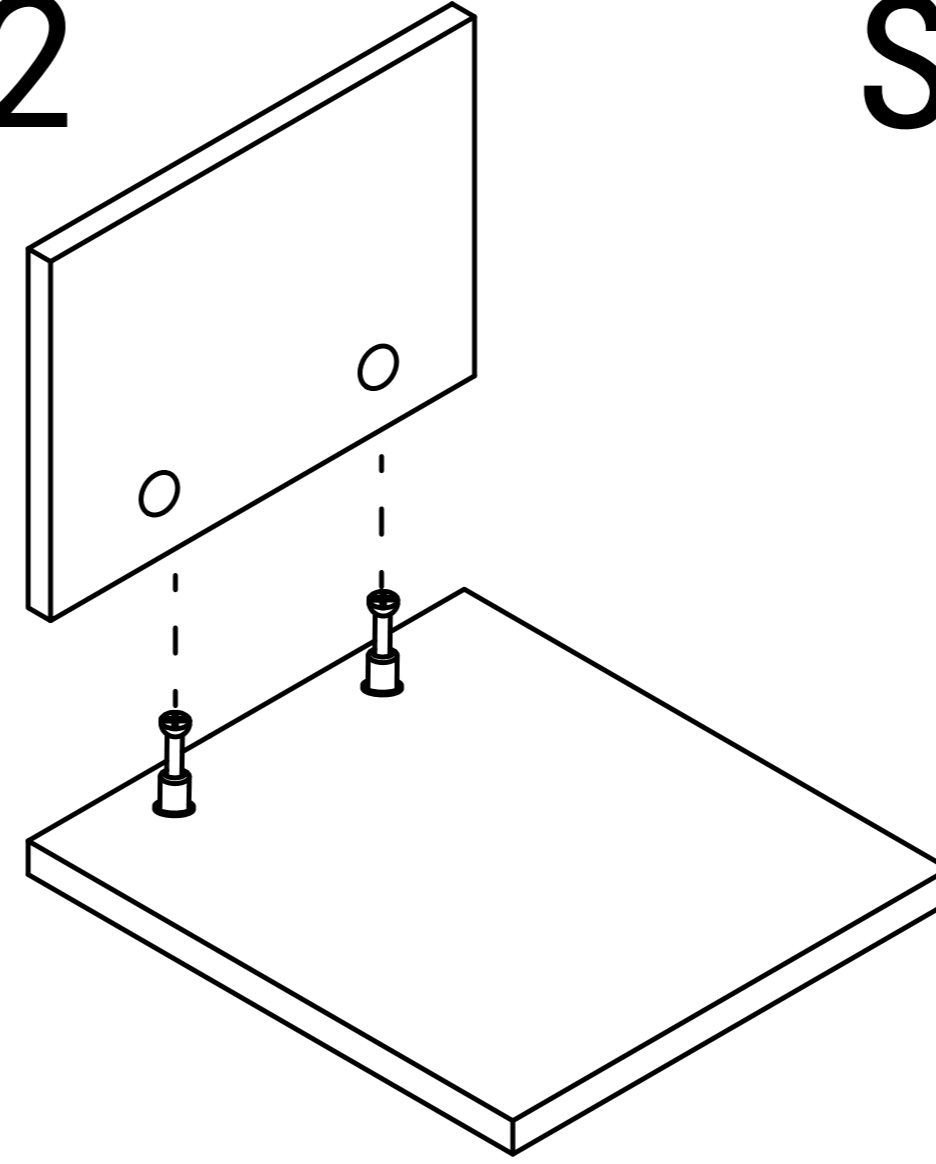


Use parts A and B

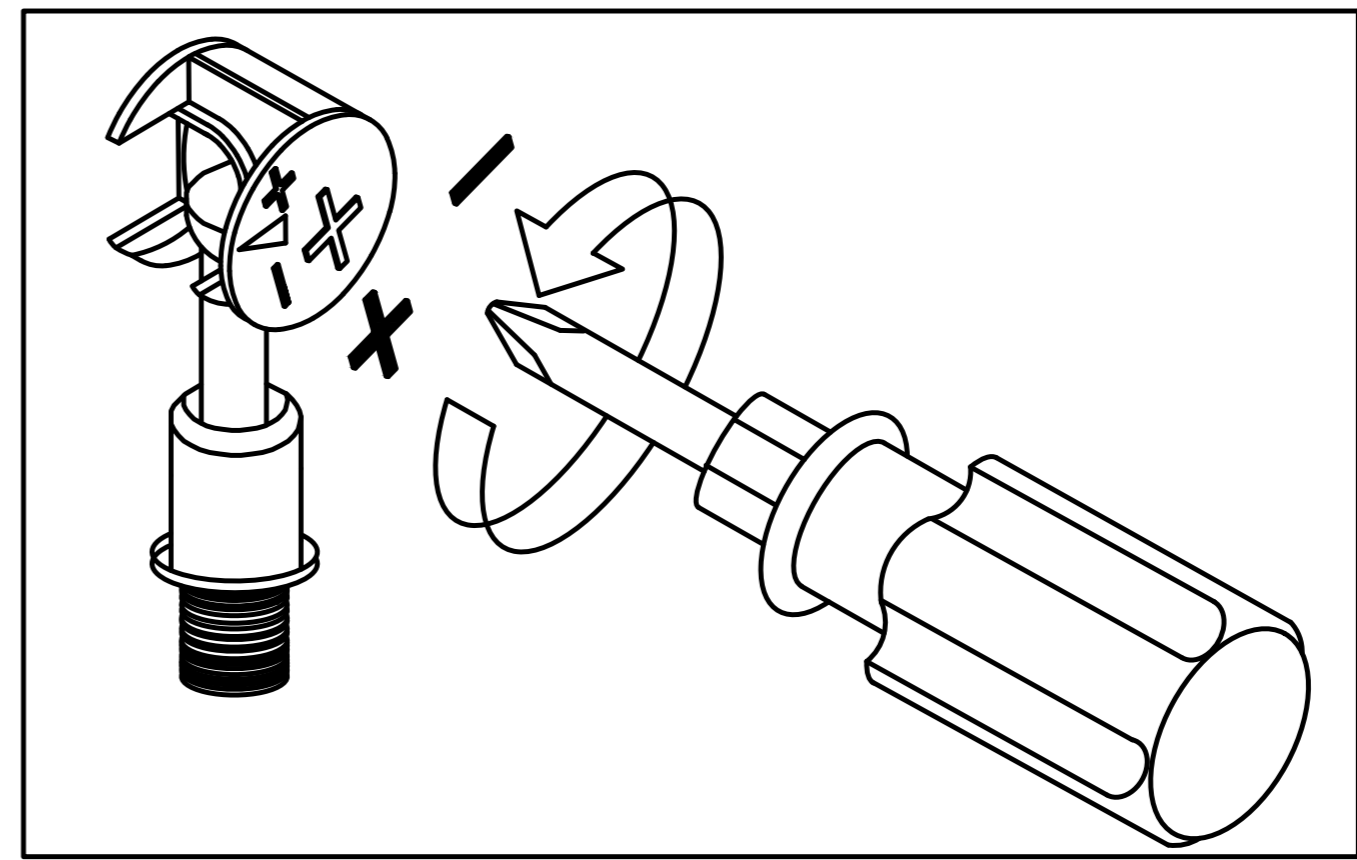
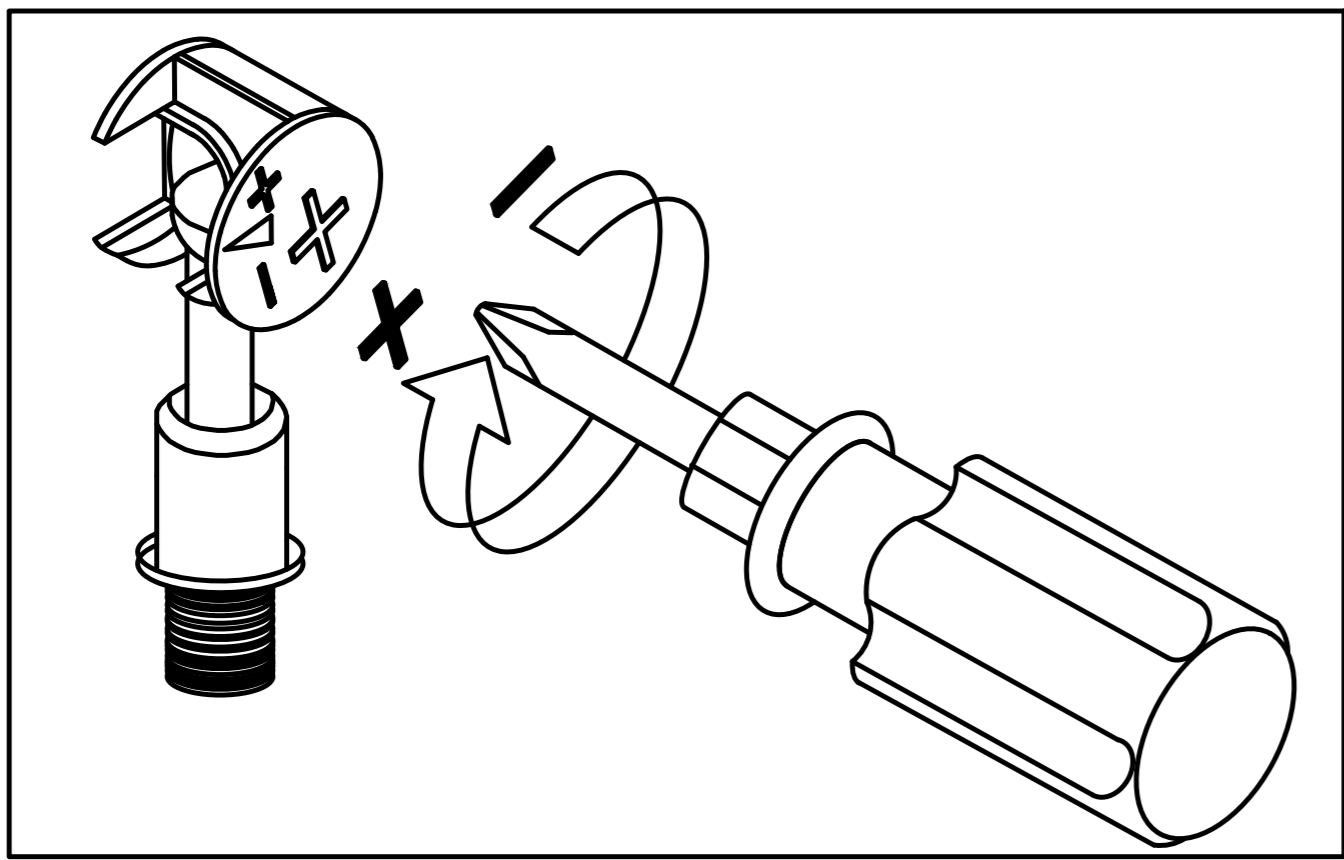
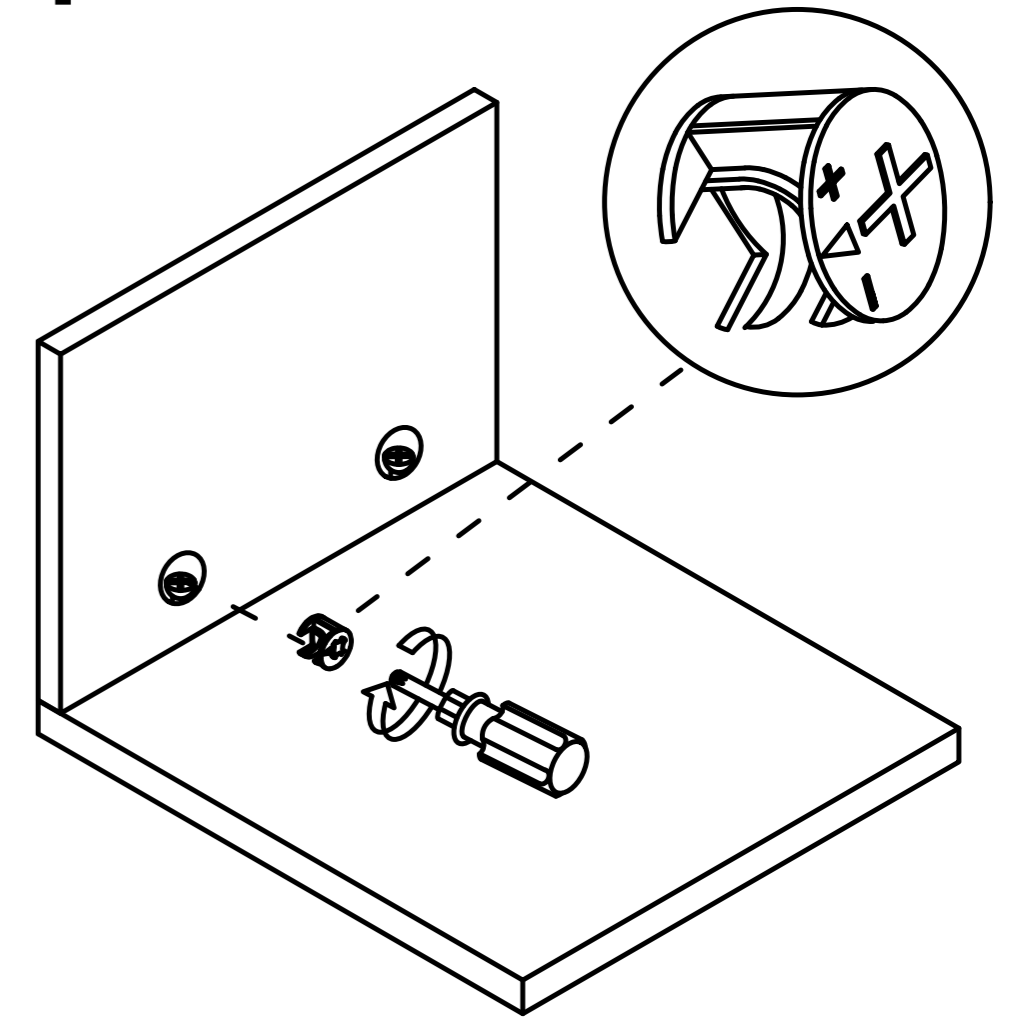
Step 1



Step 2

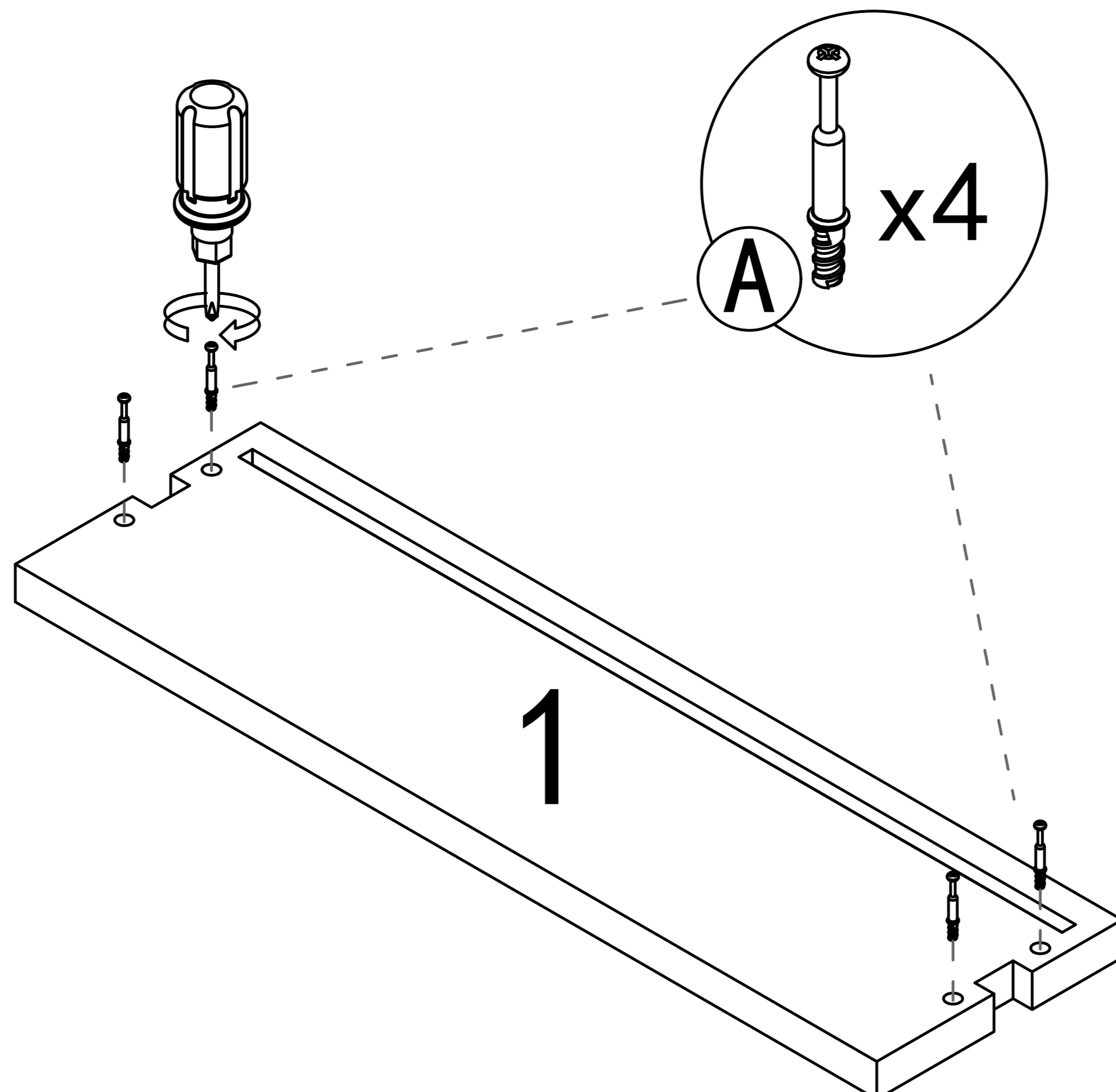
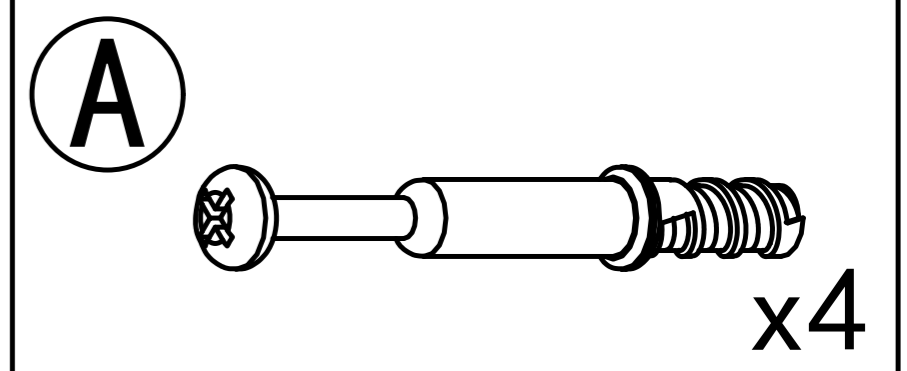


Step 3



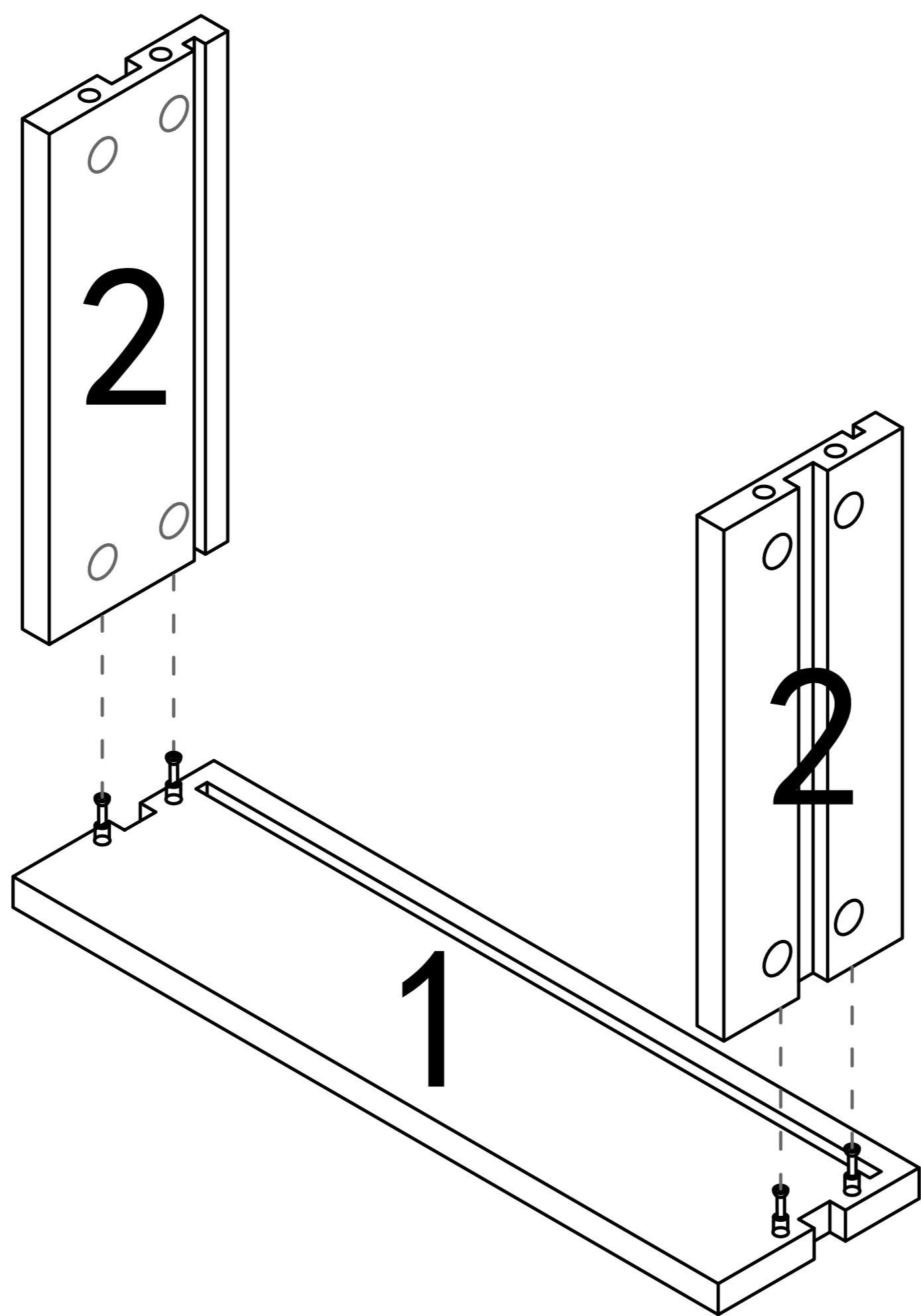
Use a screwdriver to lock in the direction of Disassemble along the direction of "-" sign the "+" sign.

Step 1

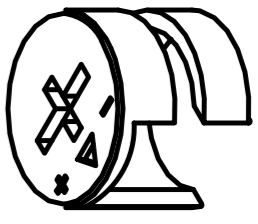


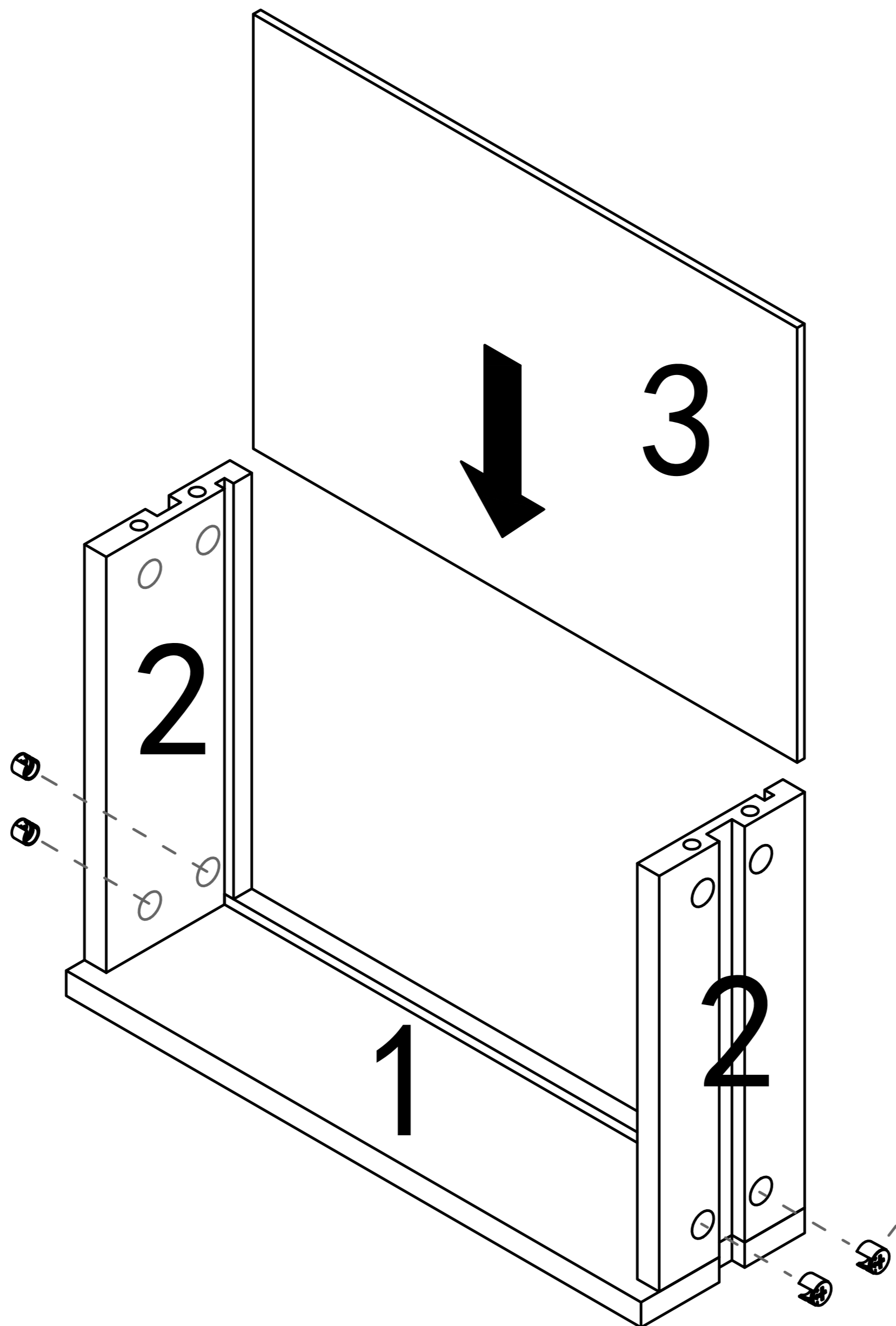
7

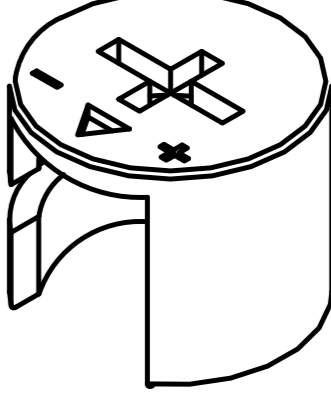
Step 2

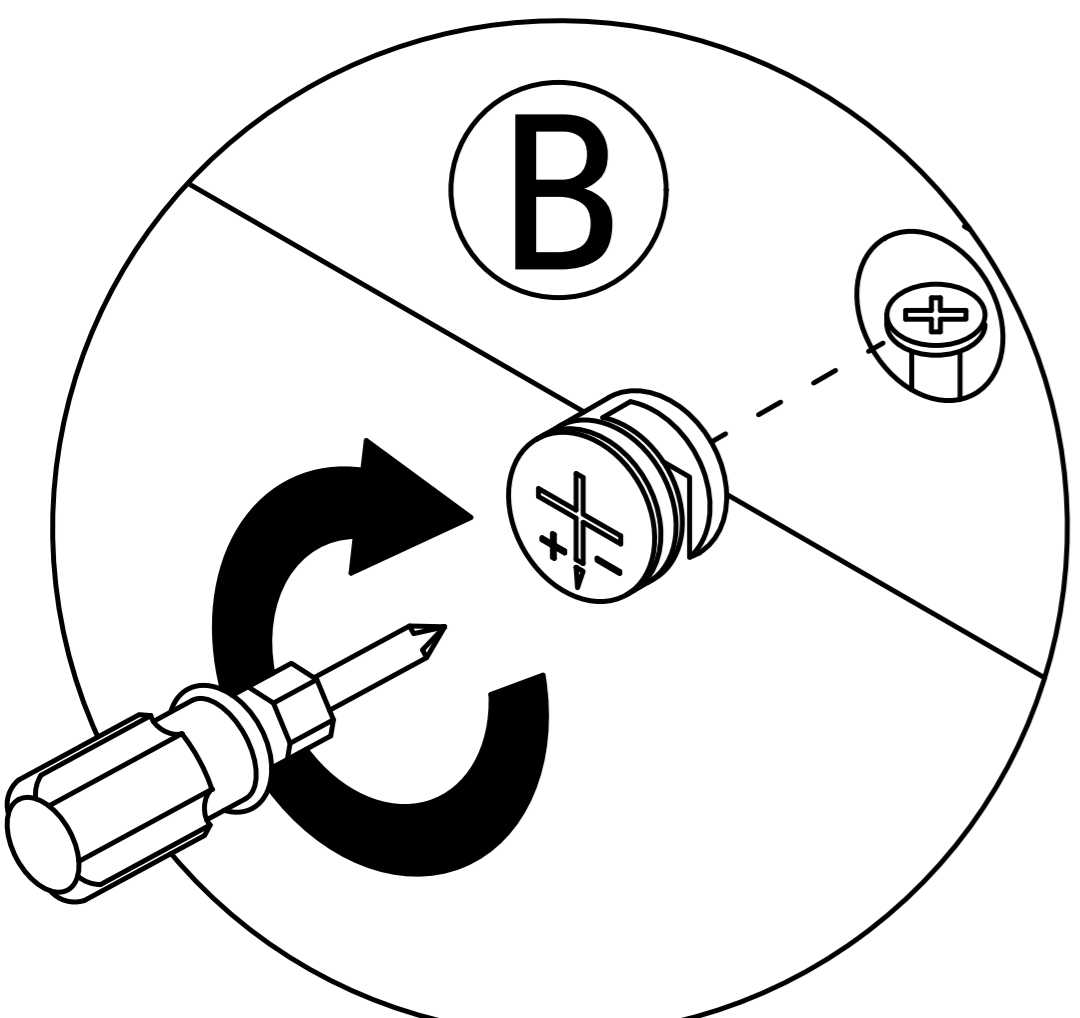


Step 3

(B)  x4

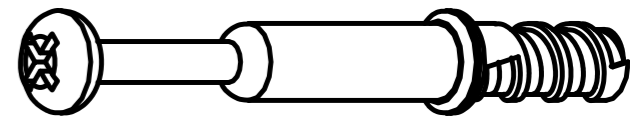





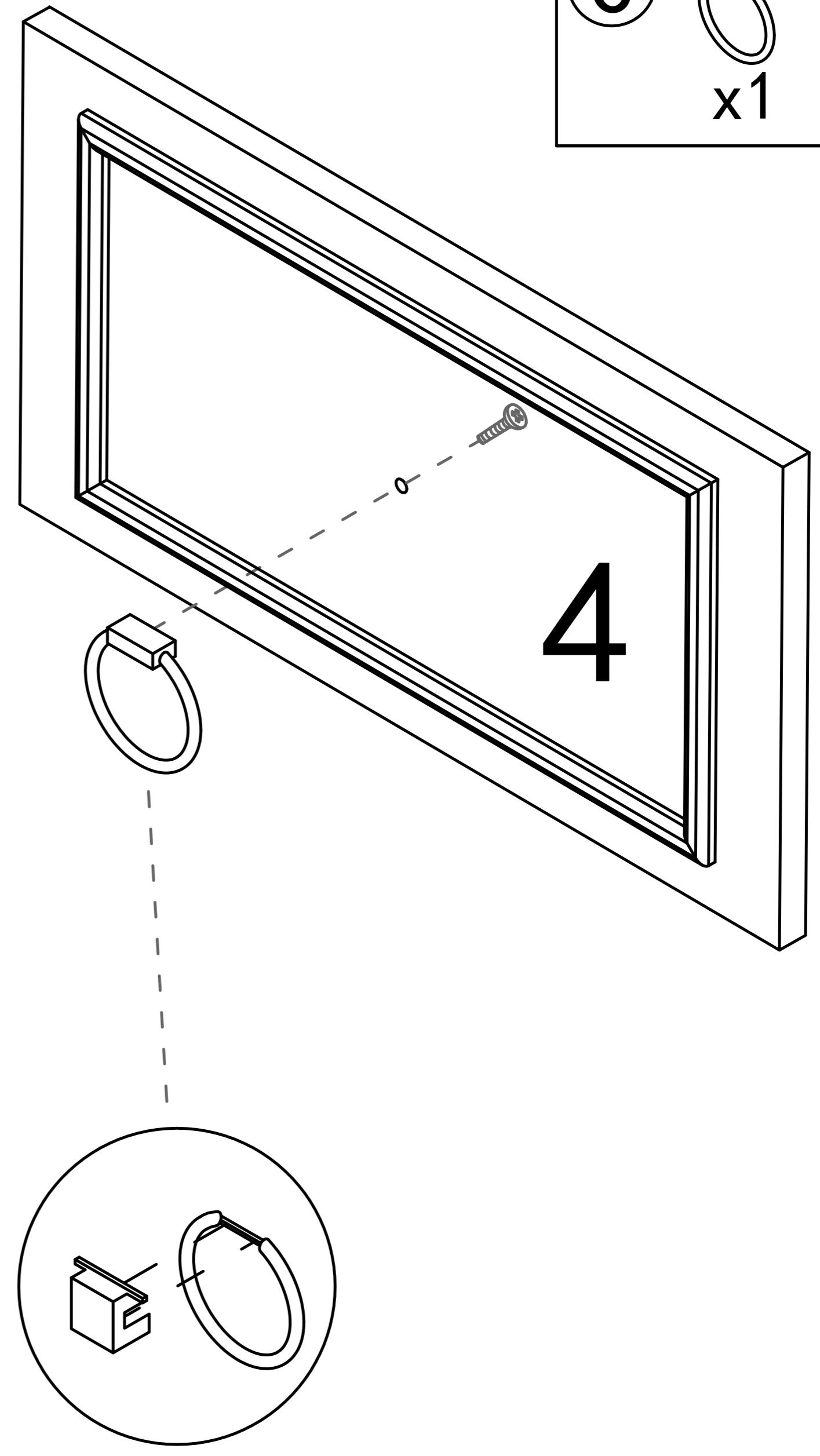
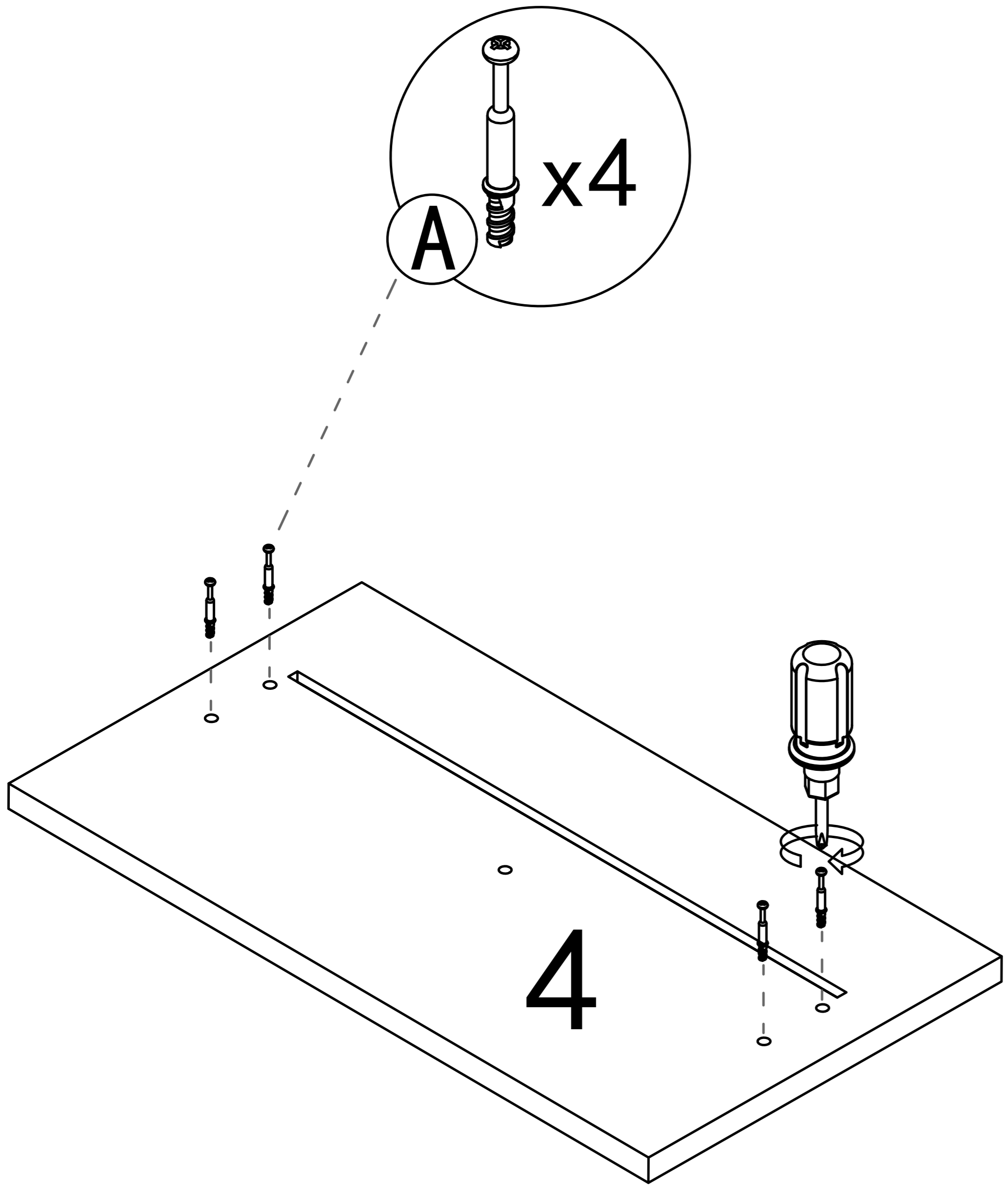
(B)  x4

(B) 

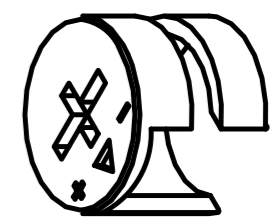
8

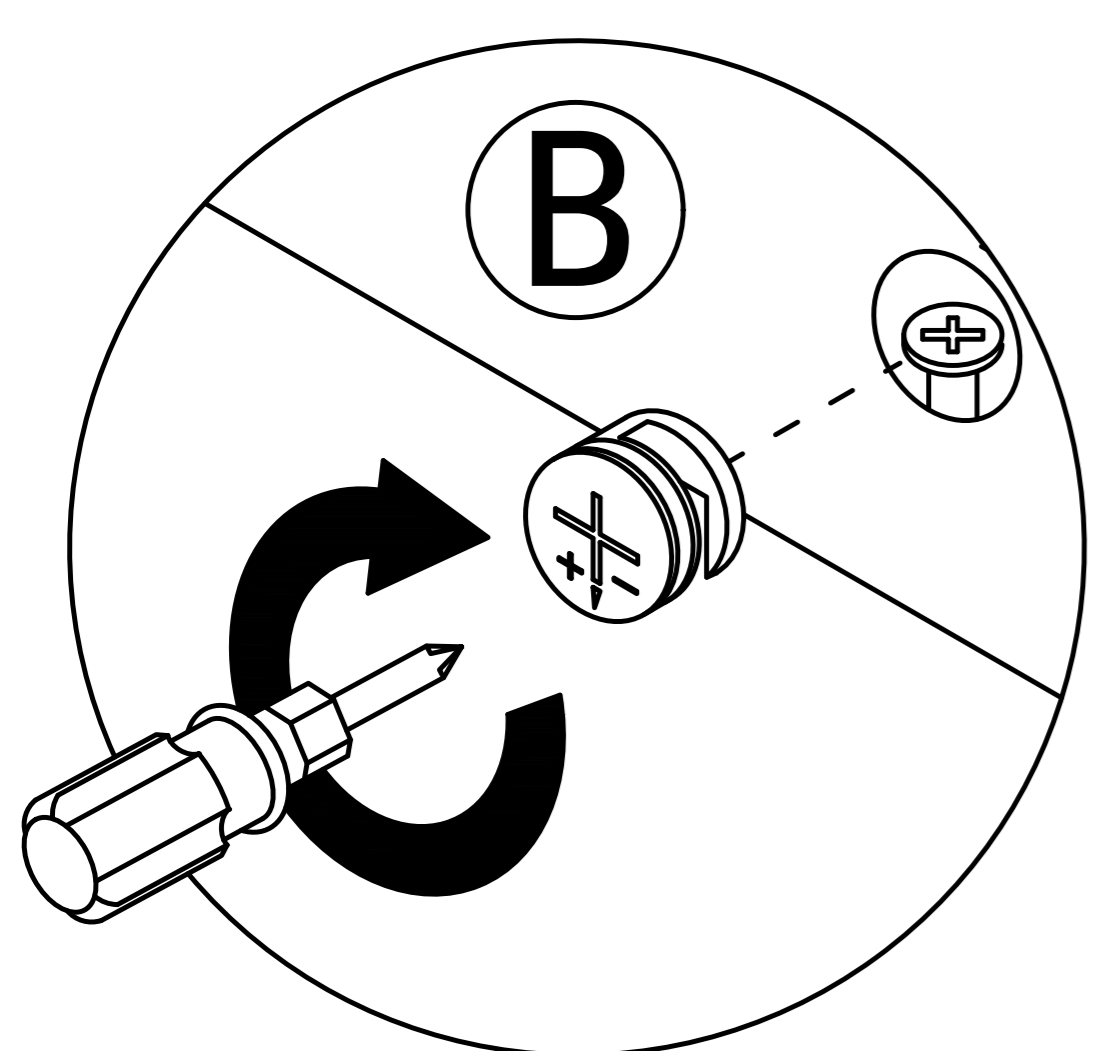
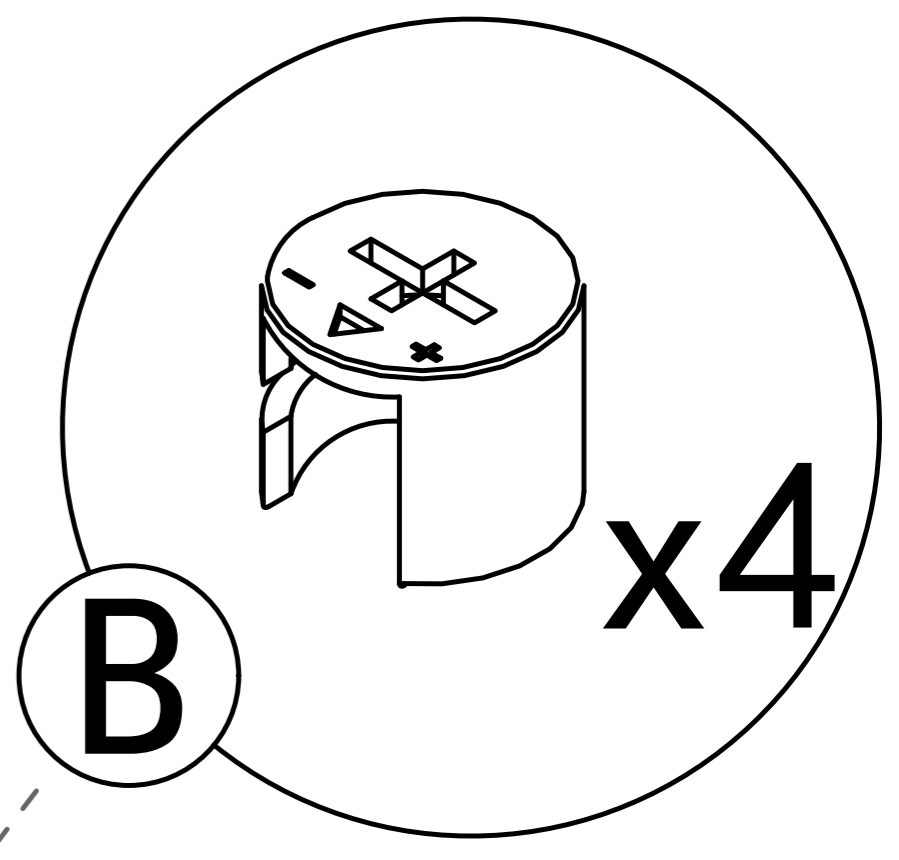
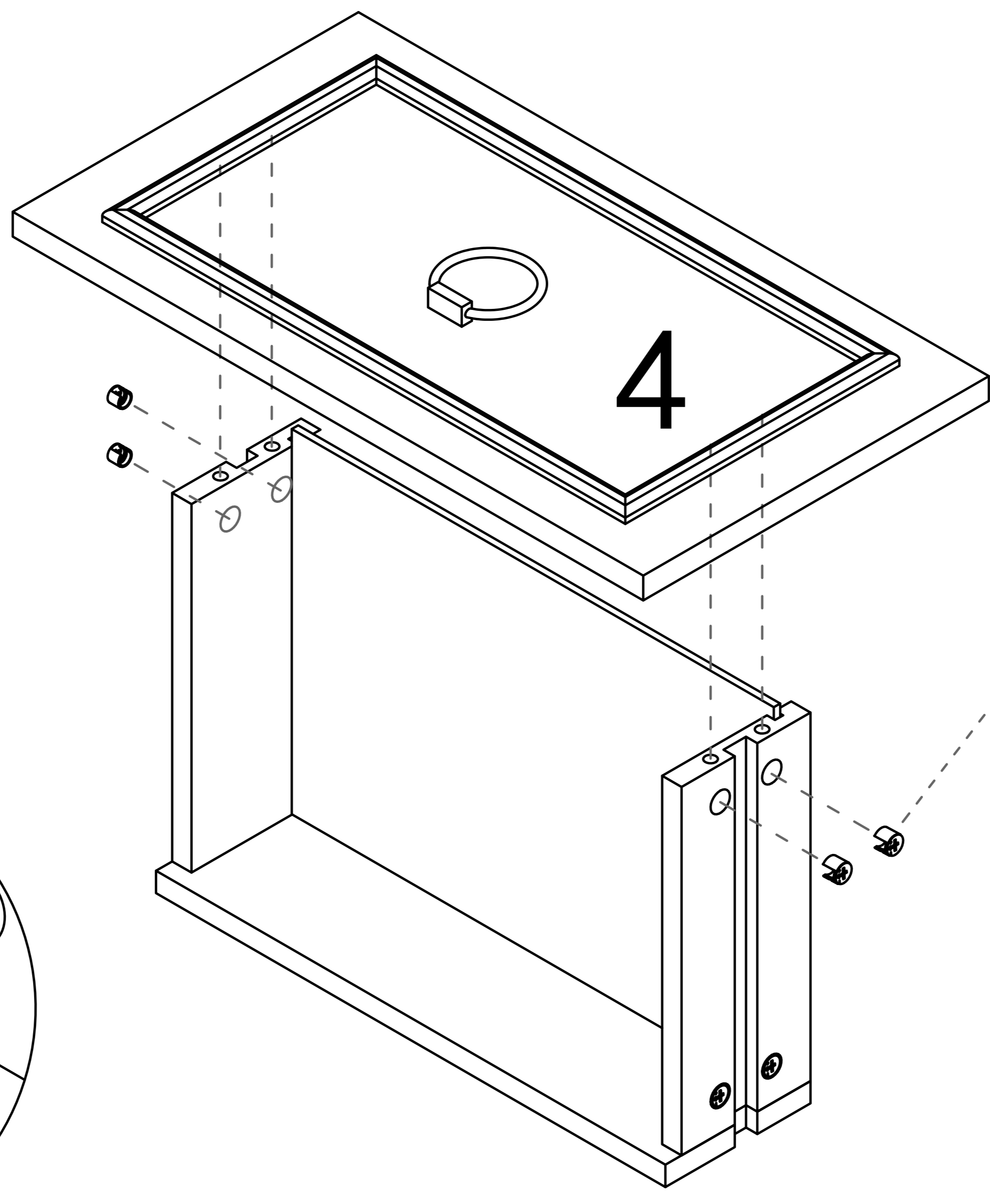
Step 4

- A**  x4
- C**  x1  x1  x1



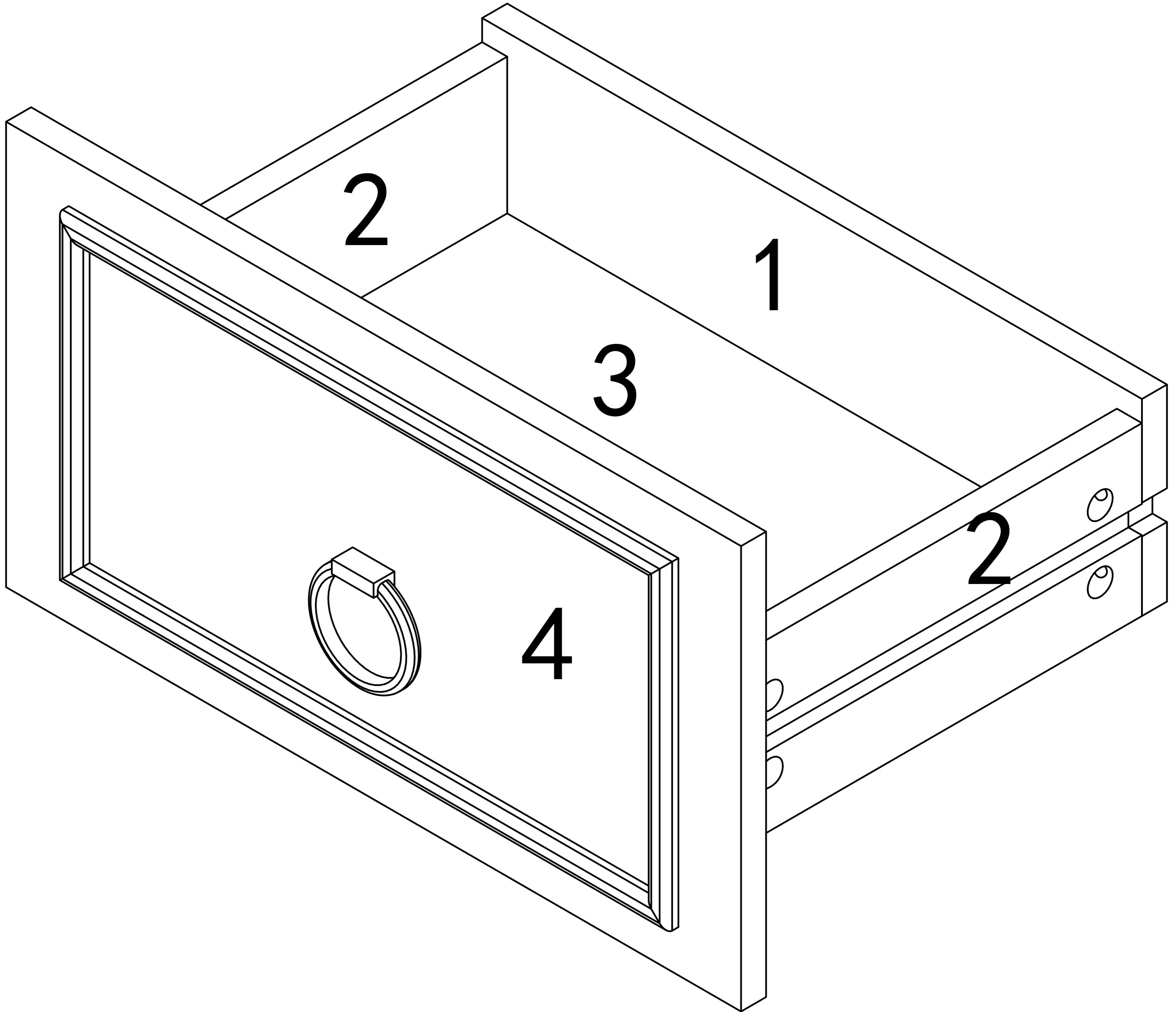
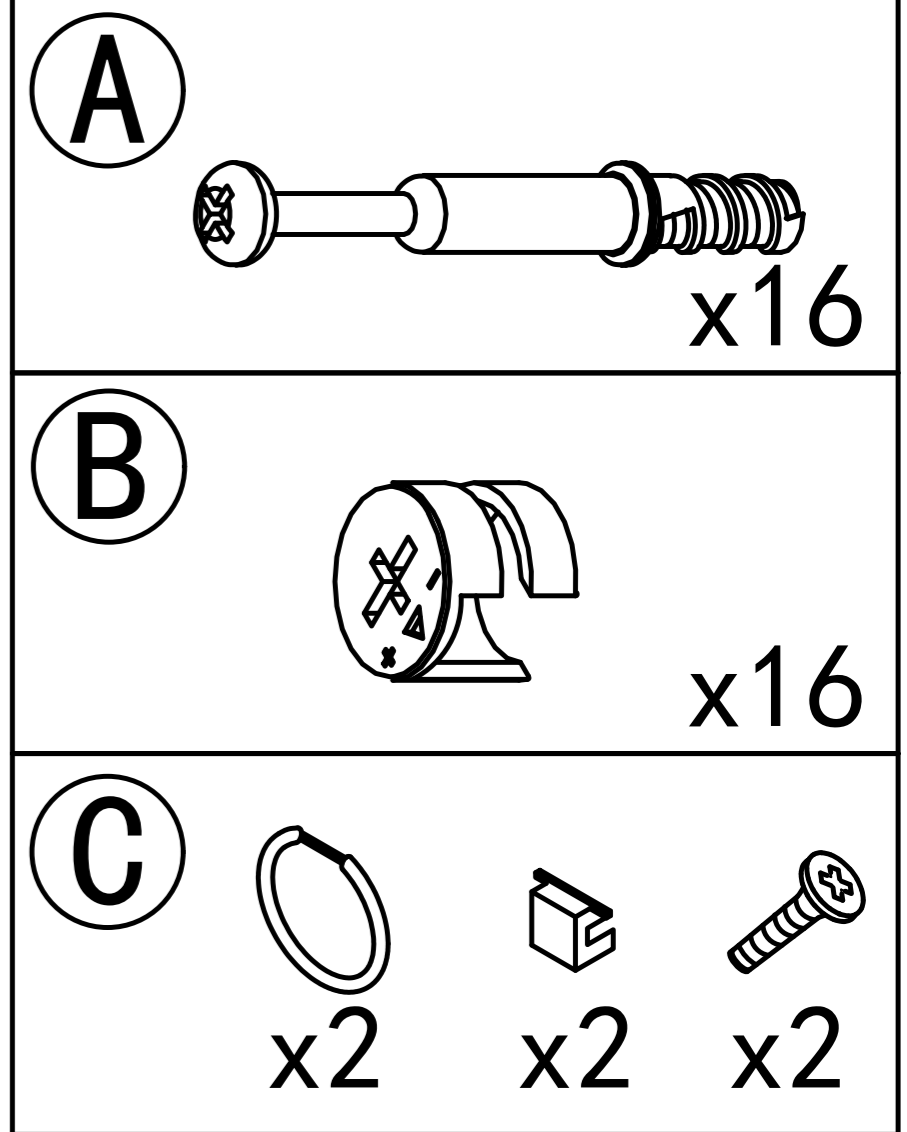
Step 5

- B**  x4



9

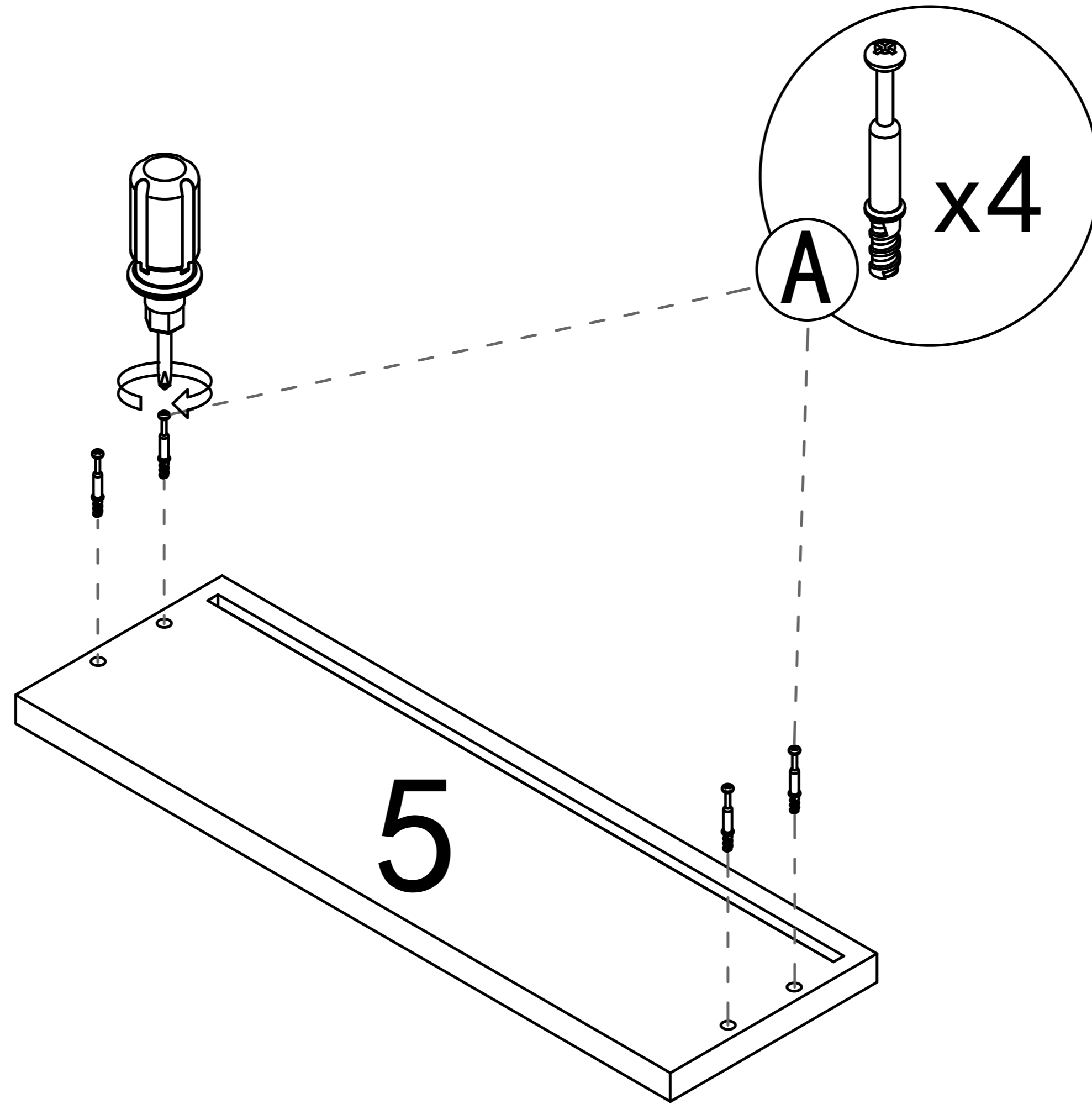
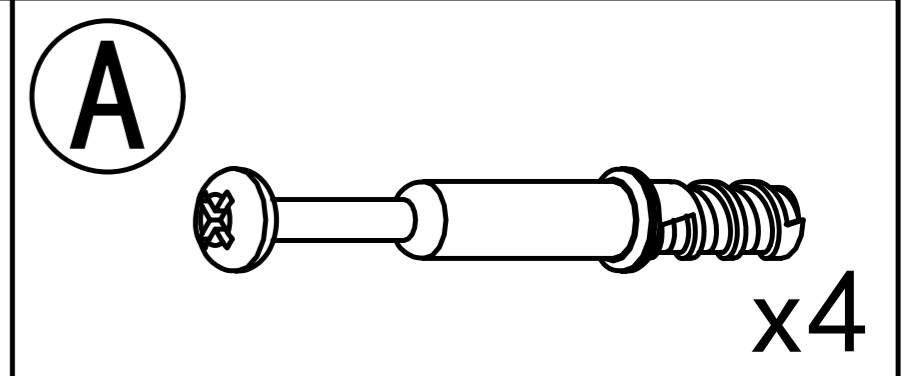
Step 6



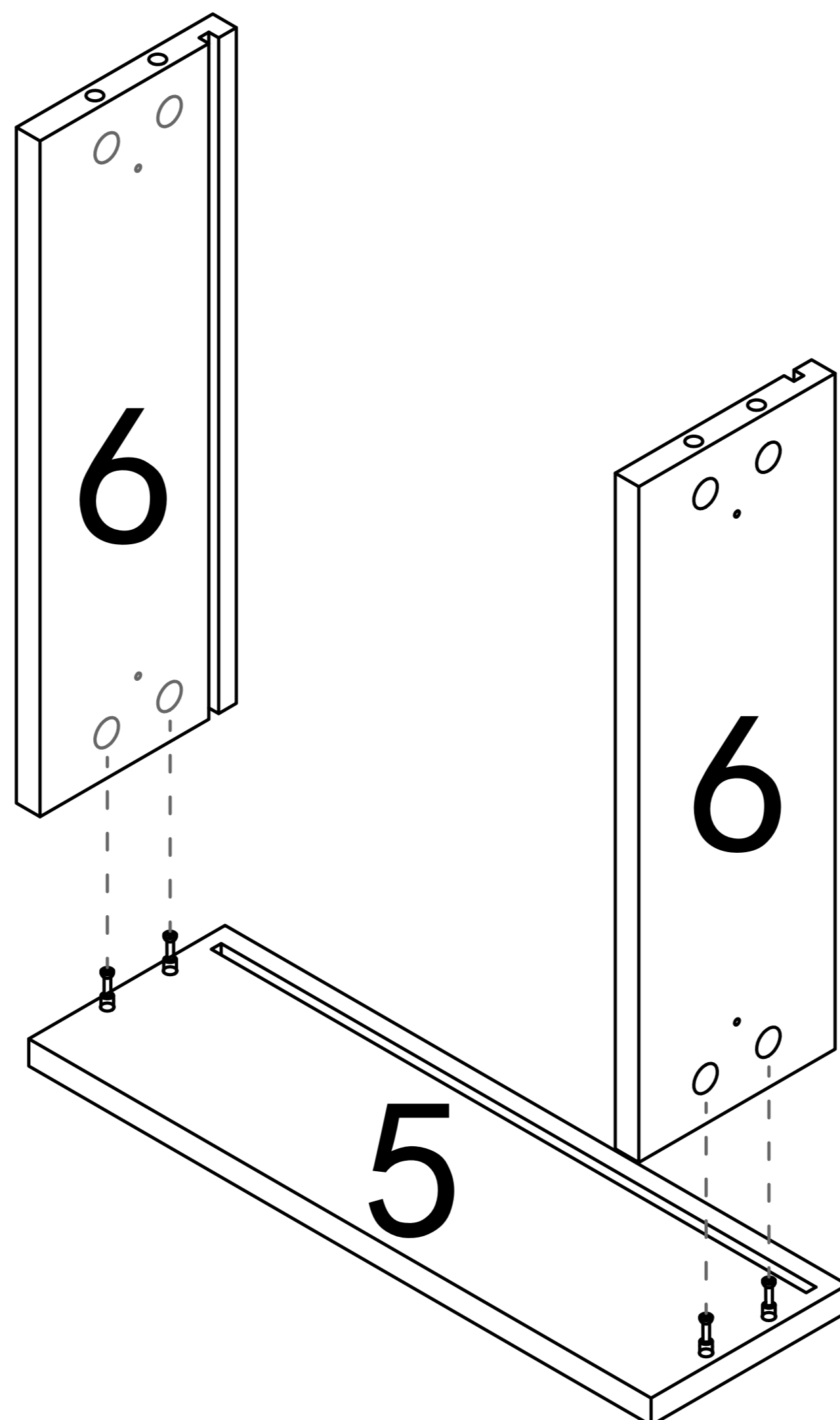
x3 pcs

The installation method for the other drawer is the same

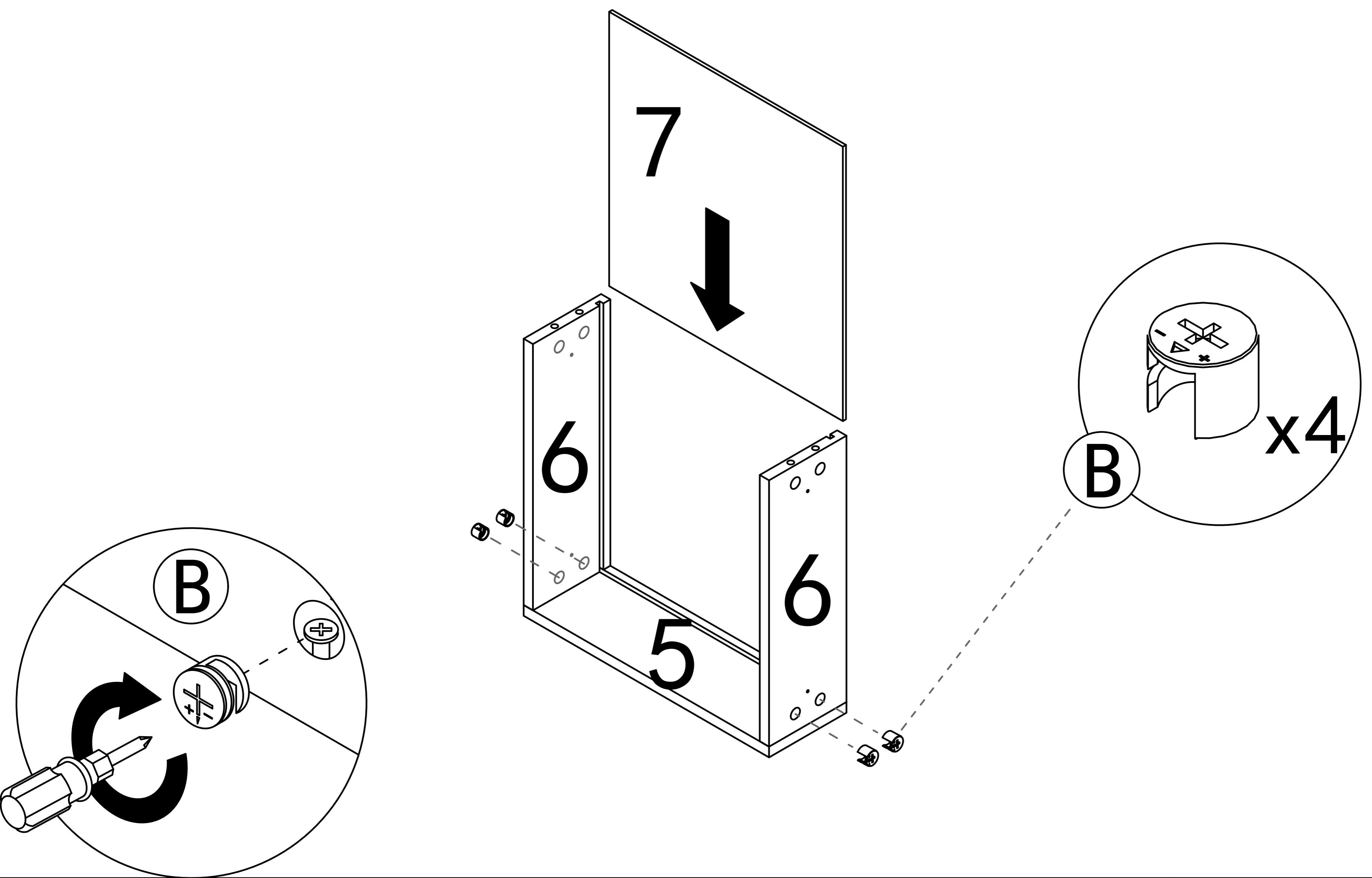
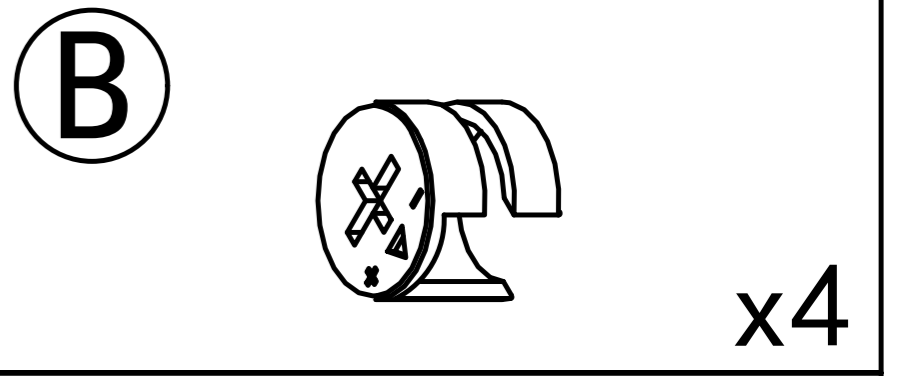
Step 7



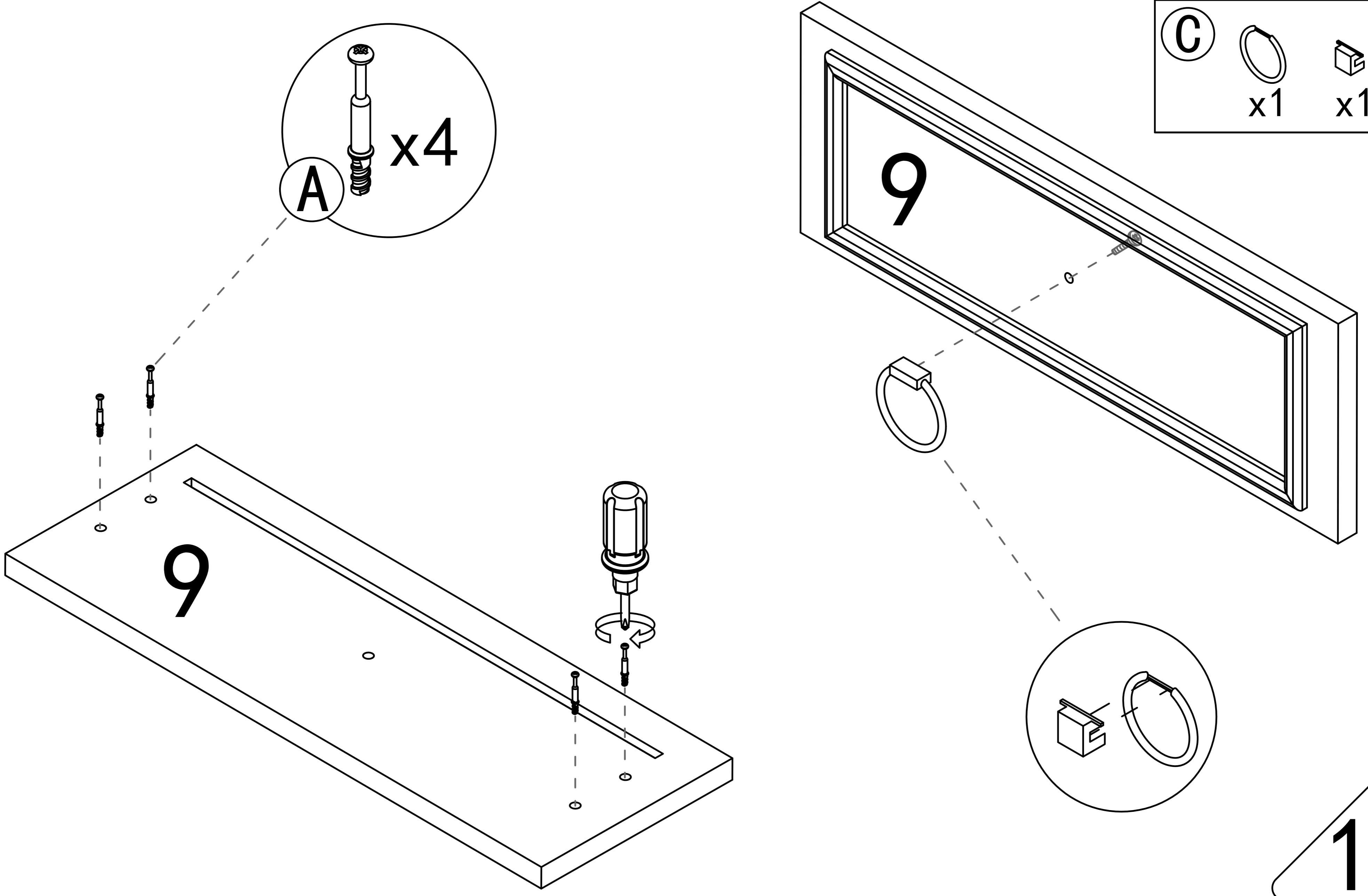
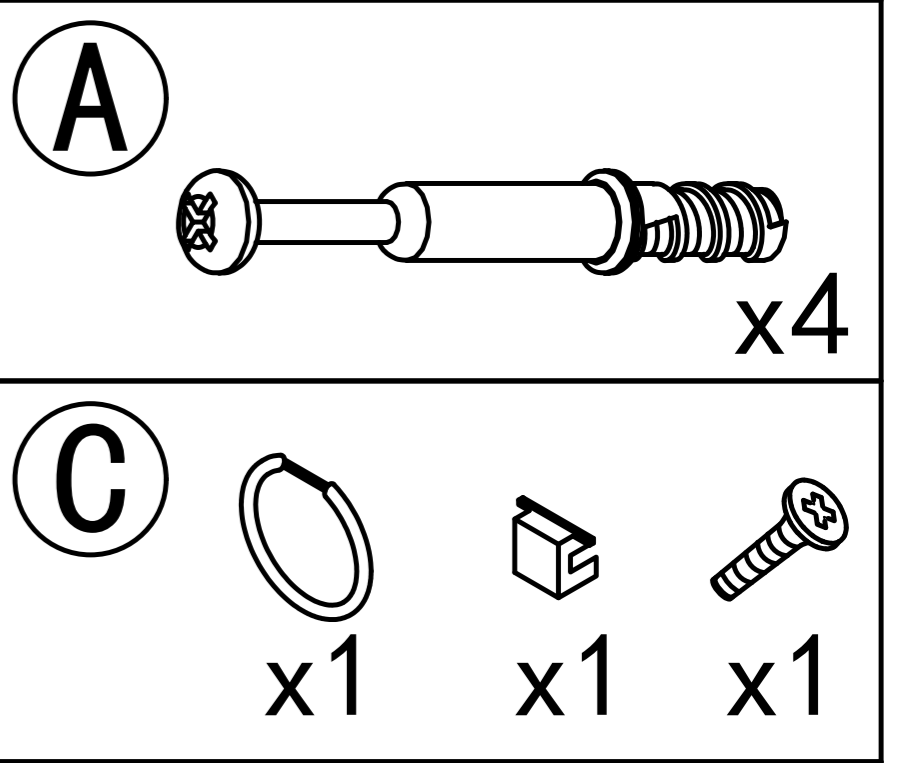
Step 8



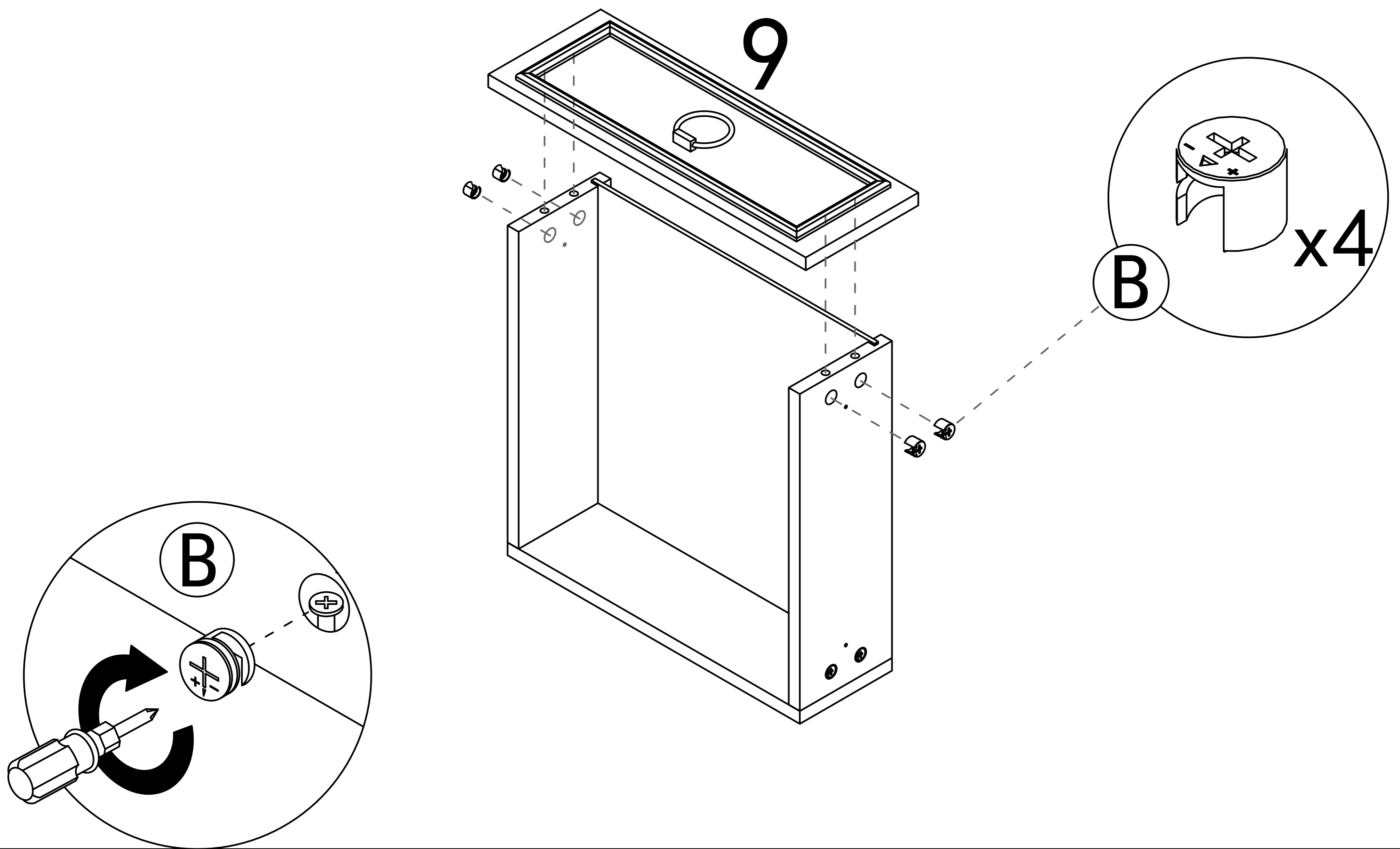
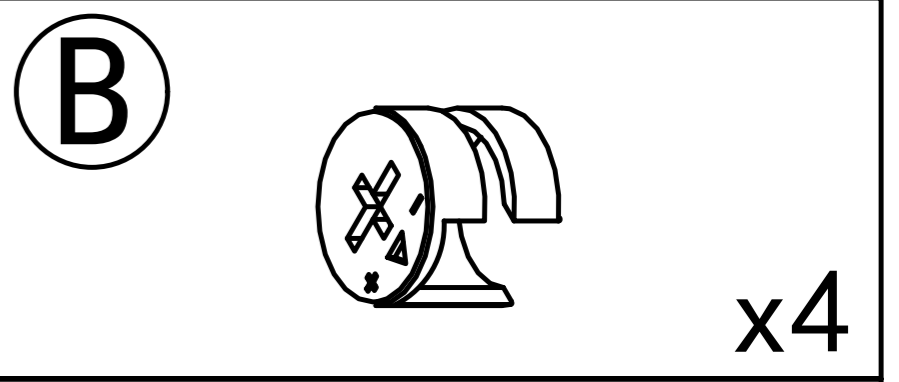
Step 9



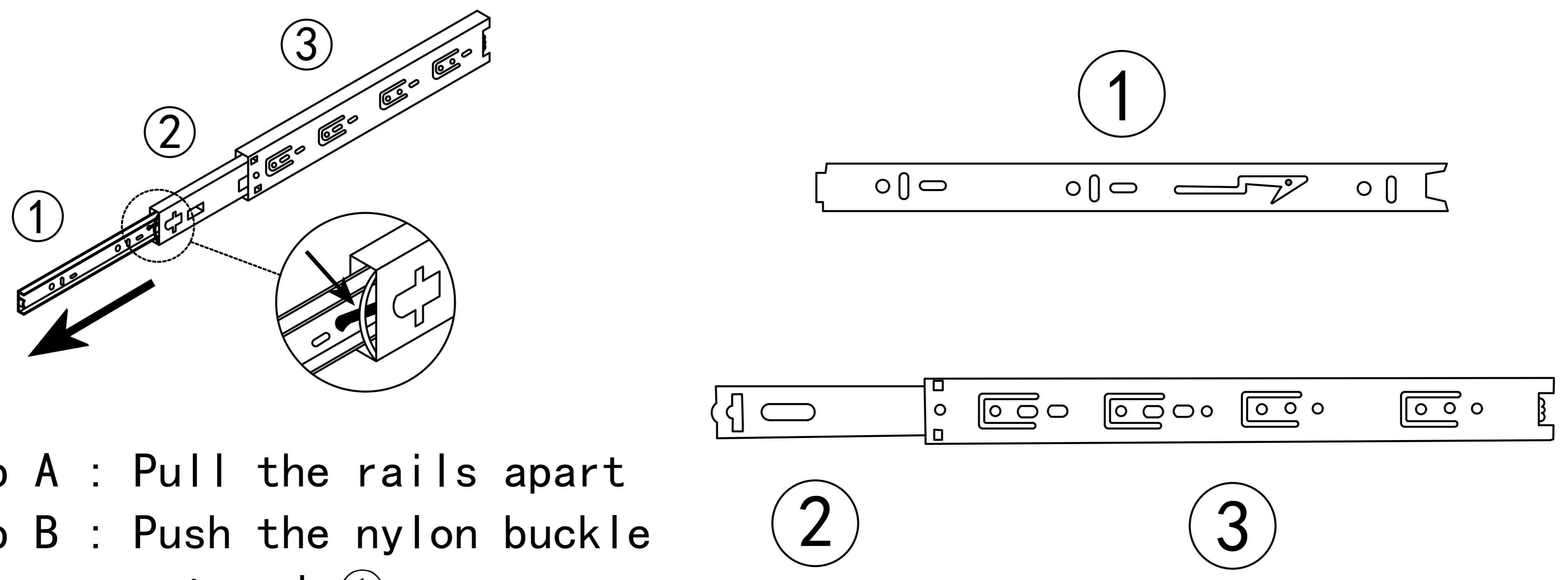
Step 10



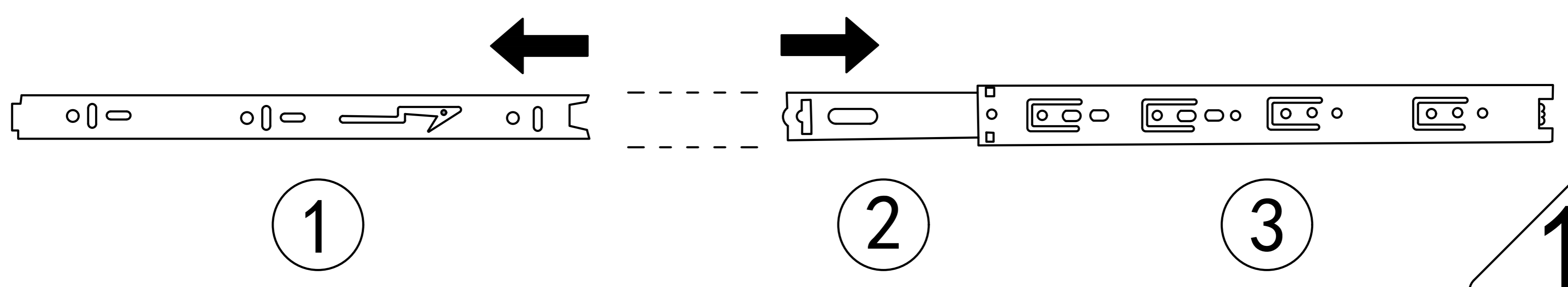
Step 11



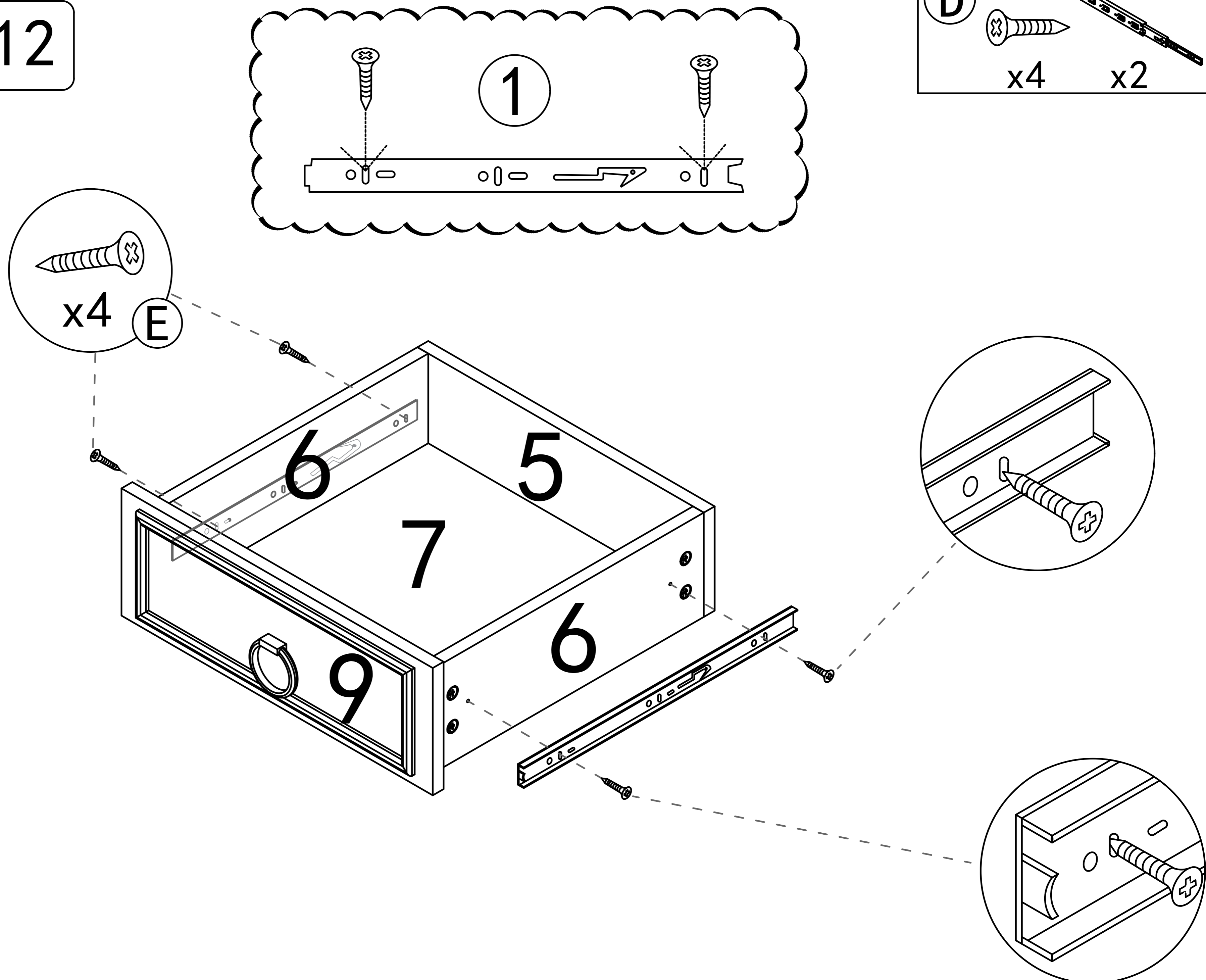
Drawer rail breakdown diagram



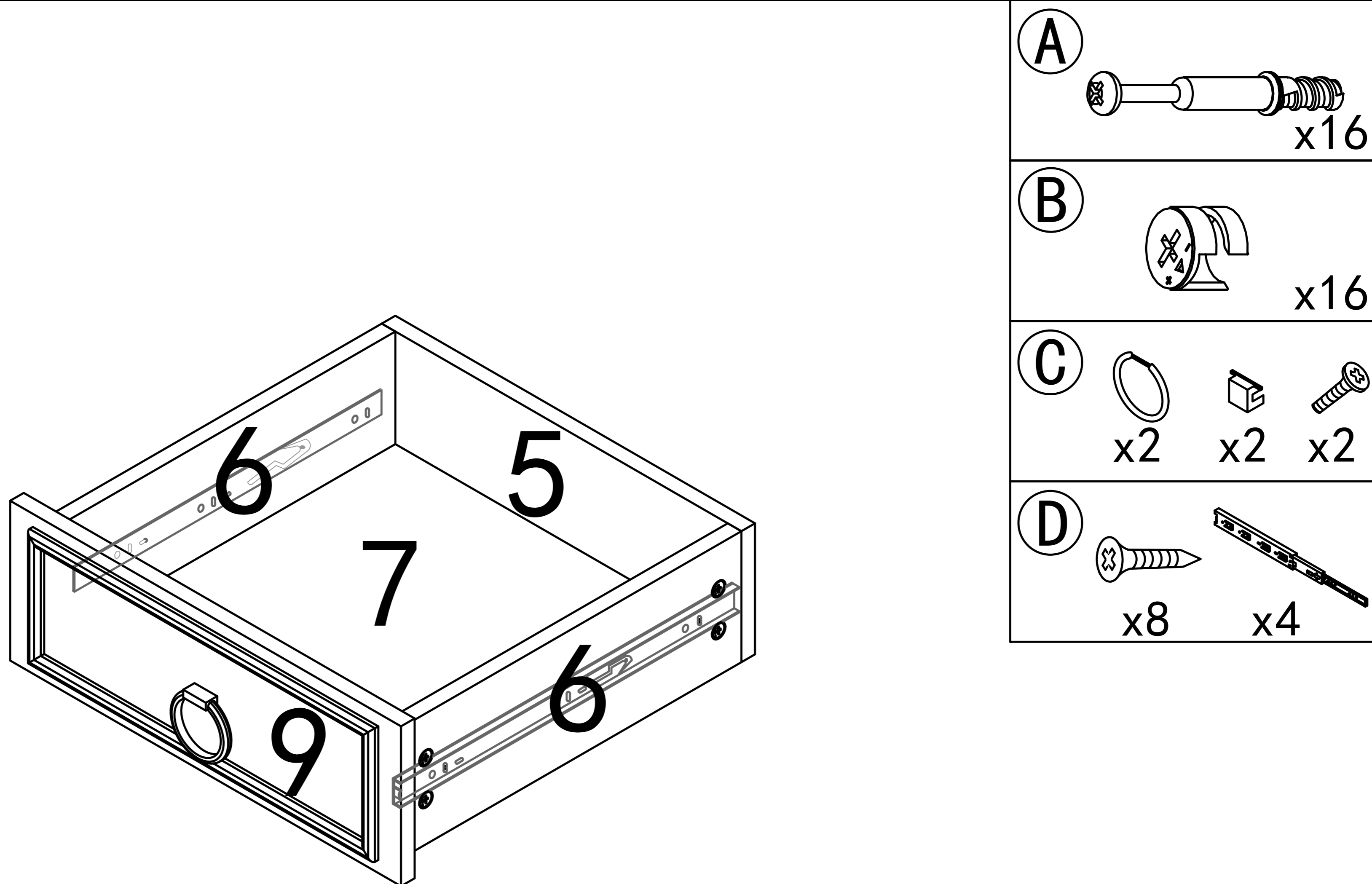
Step A : Pull the rails apart
Step B : Push the nylon buckle outward ①



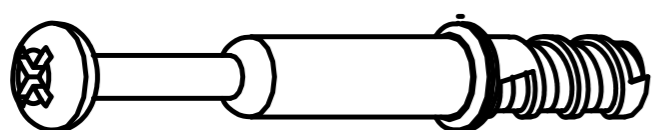
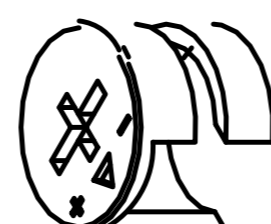
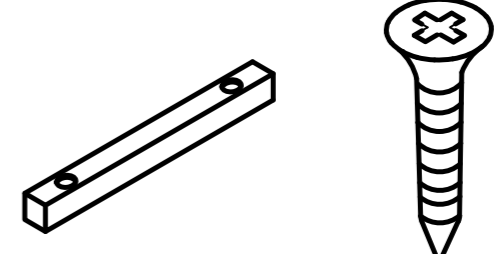
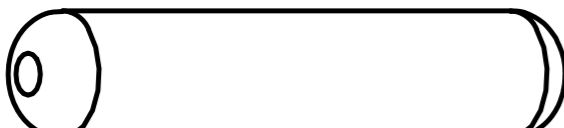
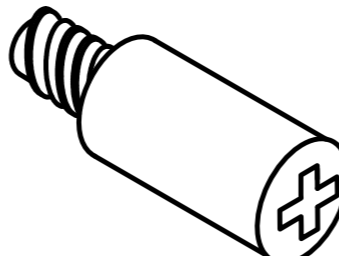
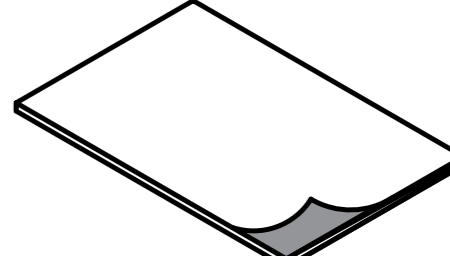
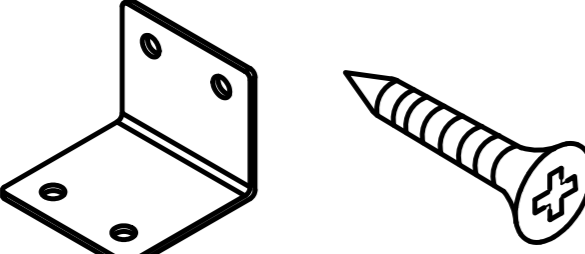
Step 12

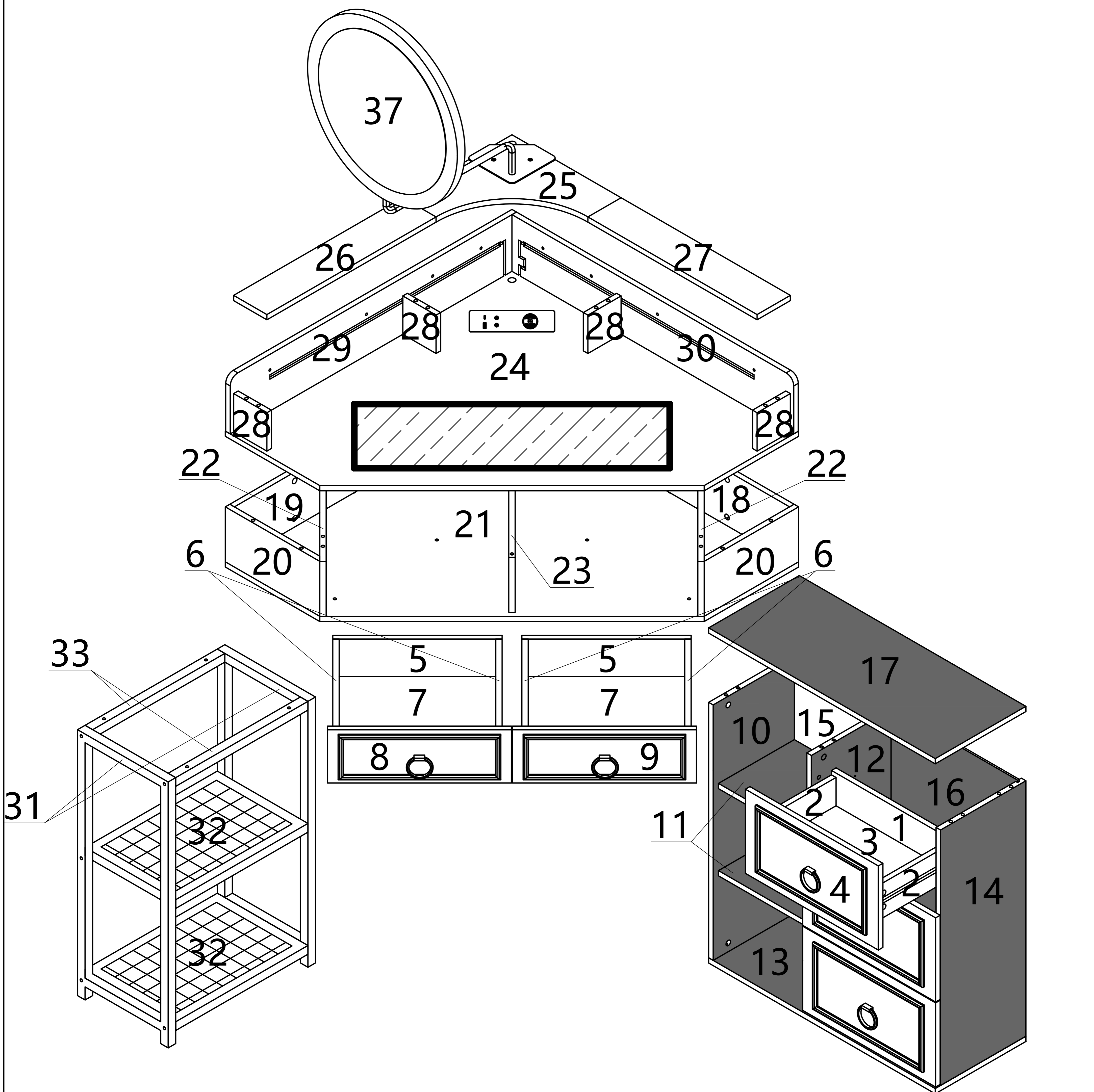


Step 13

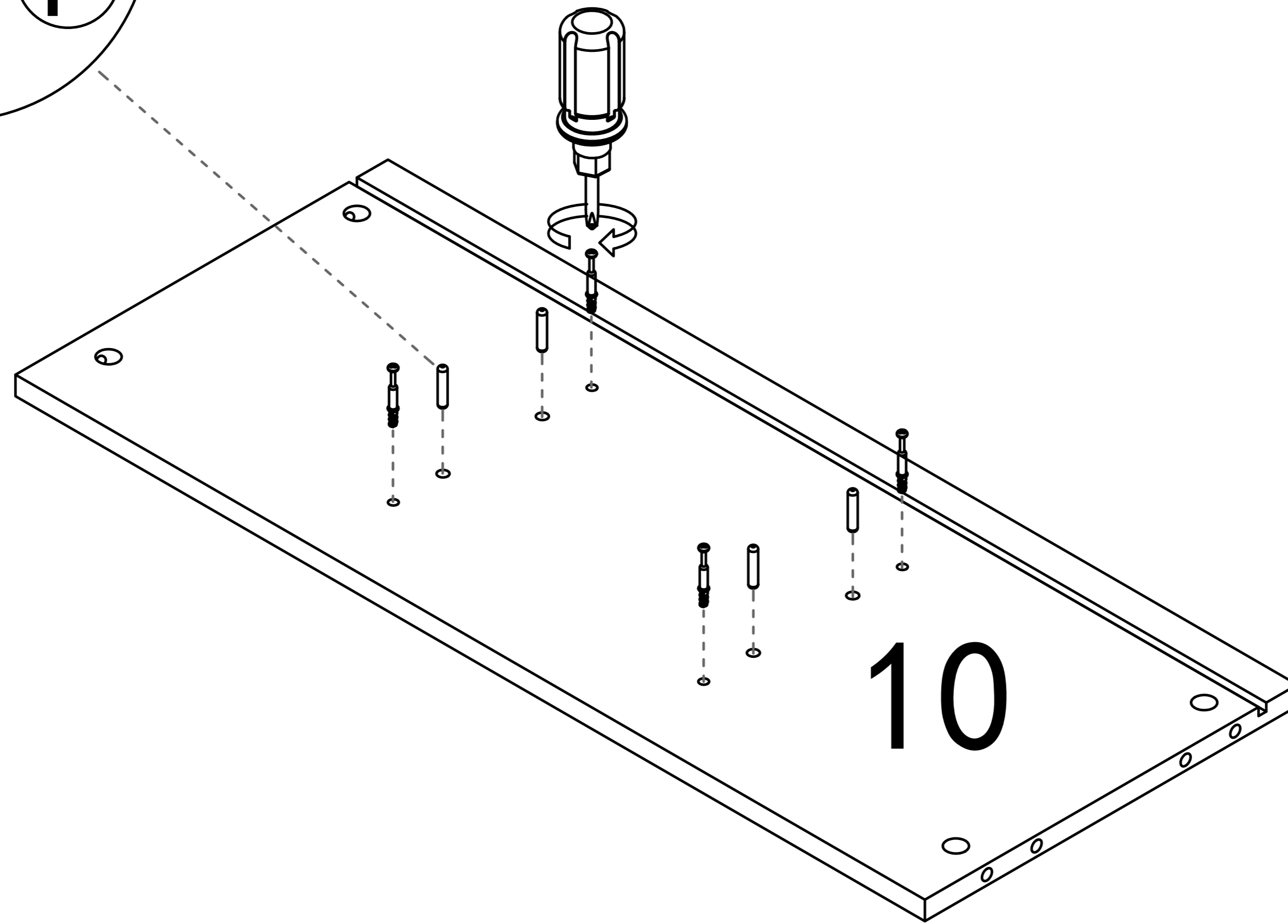
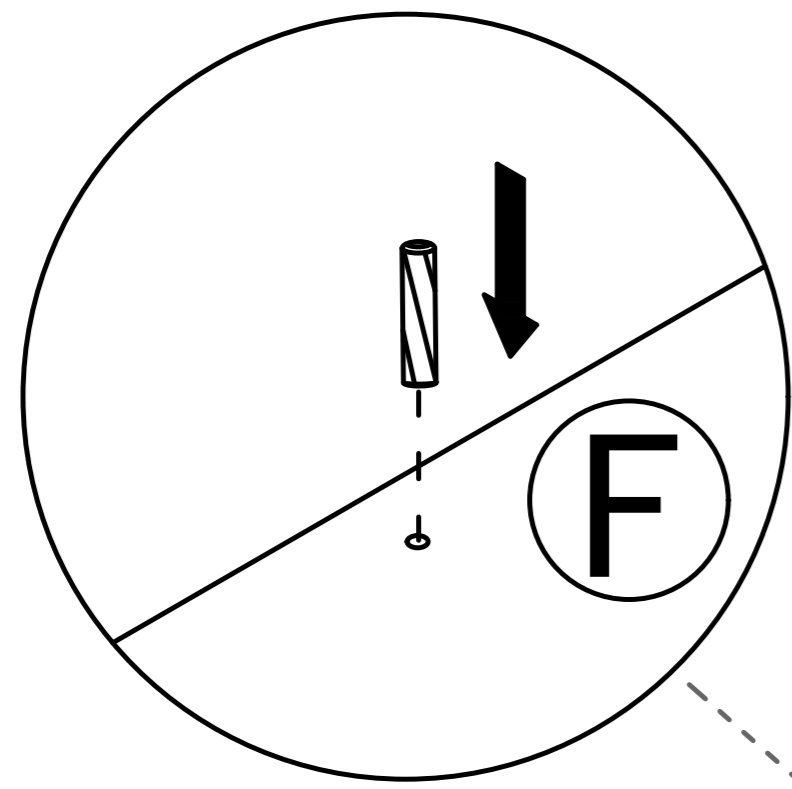
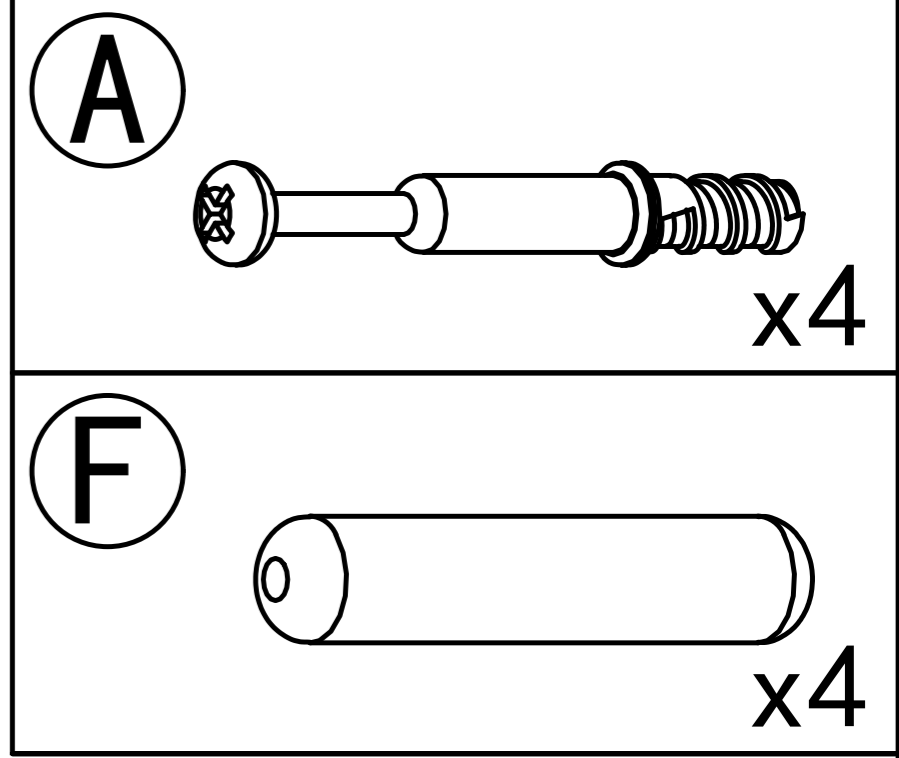


The installation method for the other drawer is the same

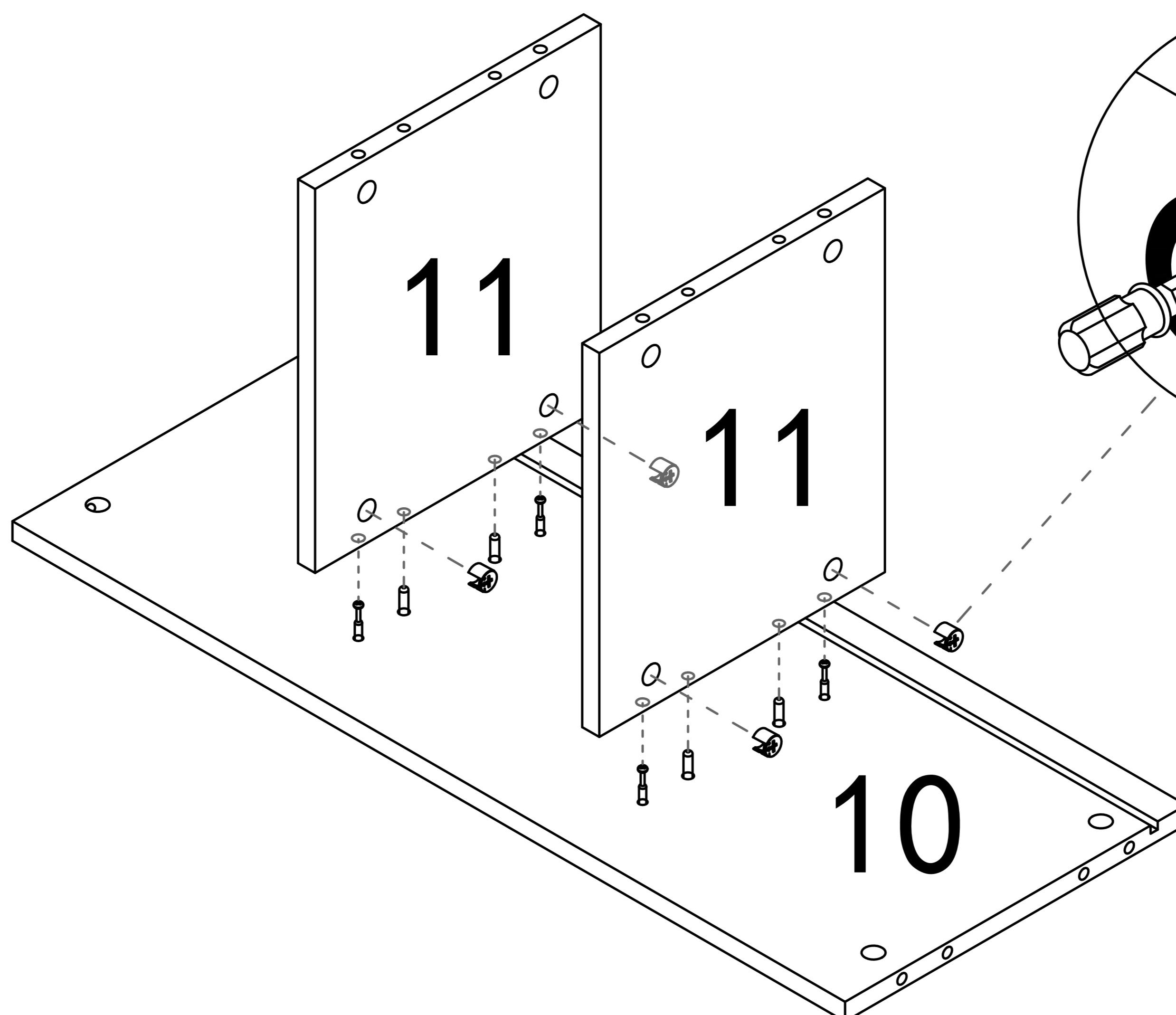
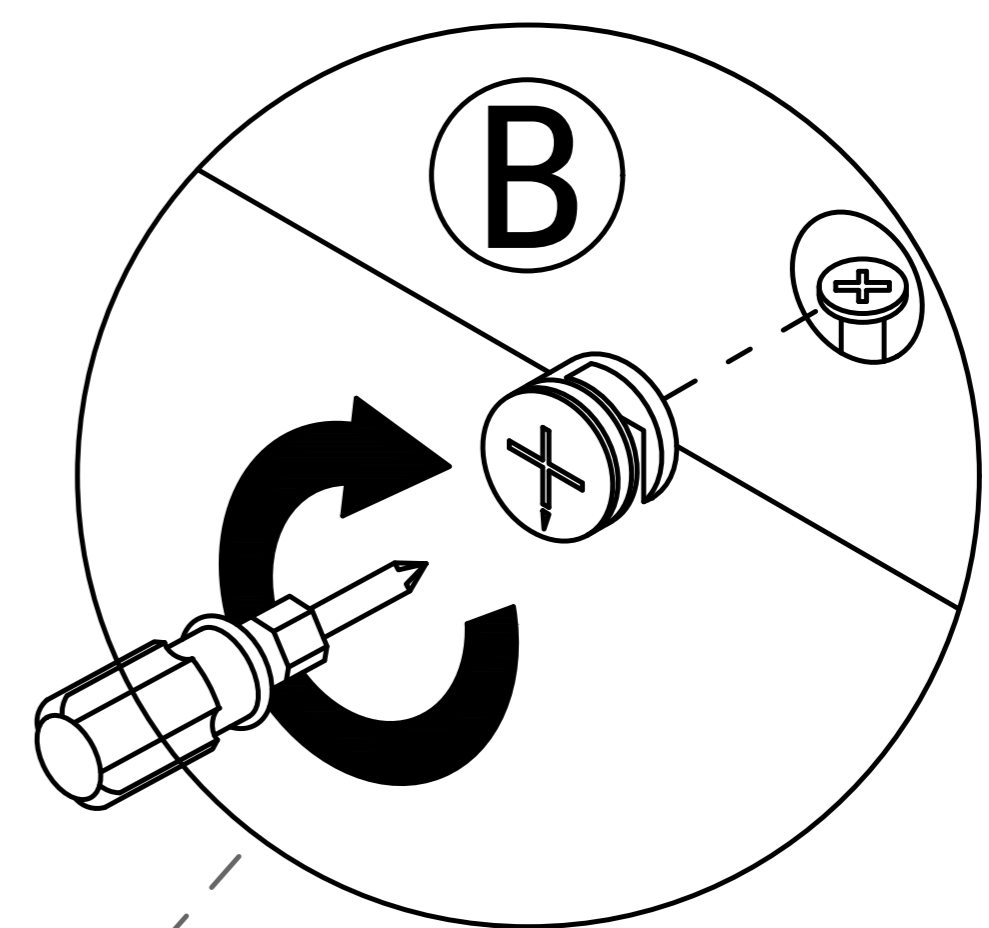
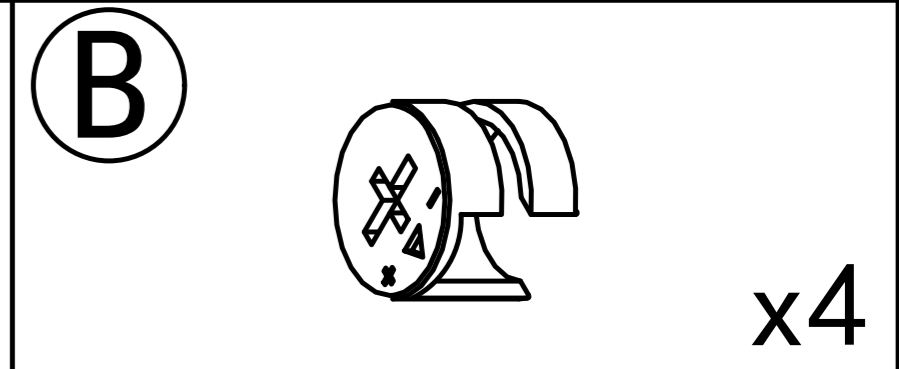
A		20pcs	B		20pcs	E		6pcs 12pcs
F		20pcs	G		6pcs	O		6pcs
Q		1pcs 2pcs						



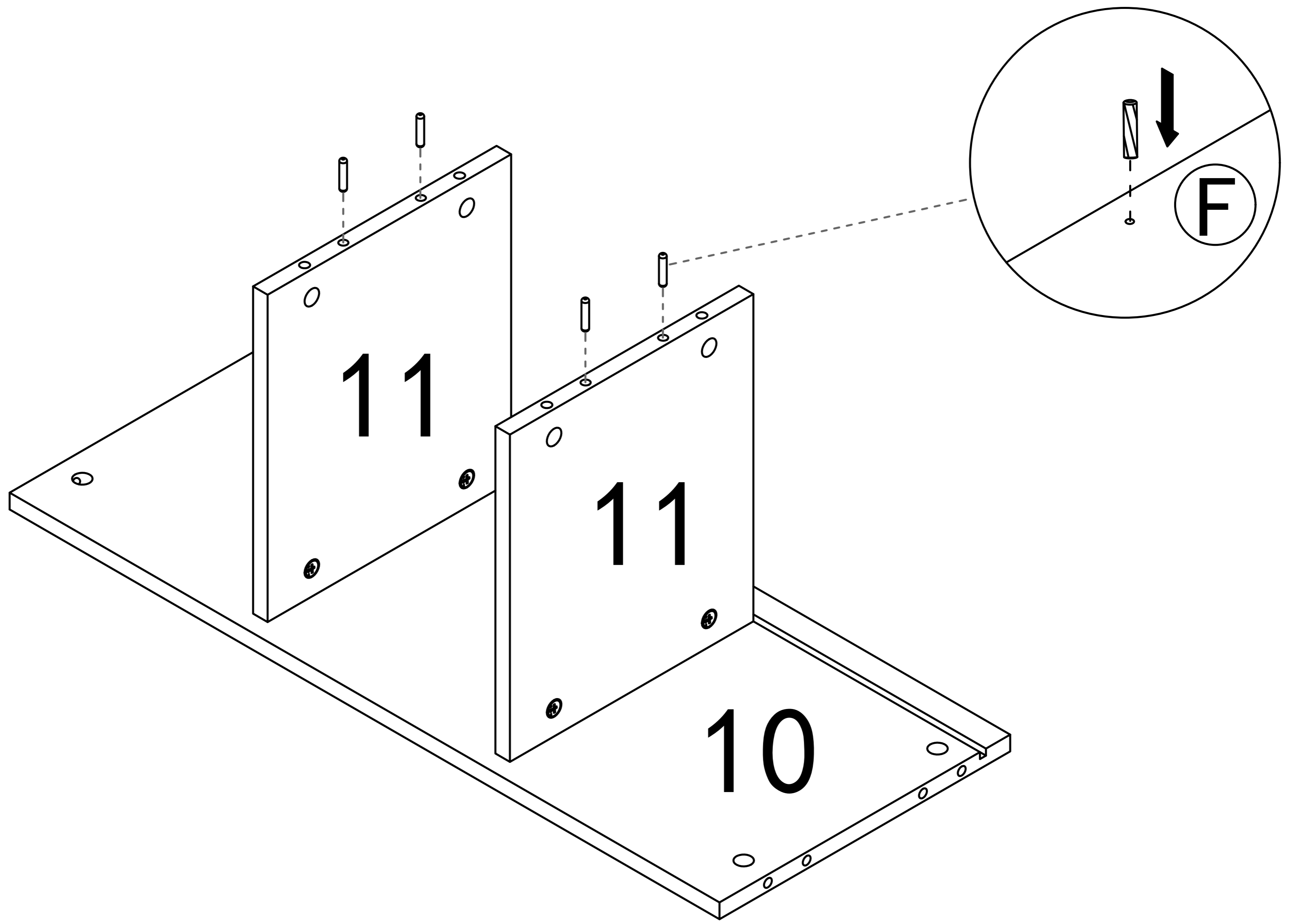
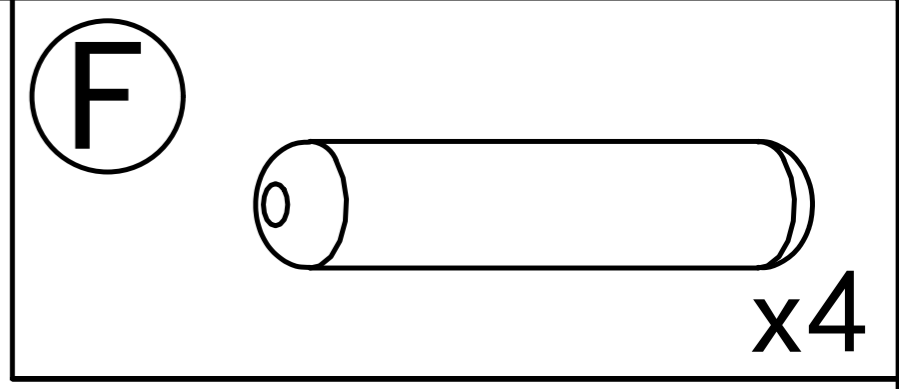
Step 14



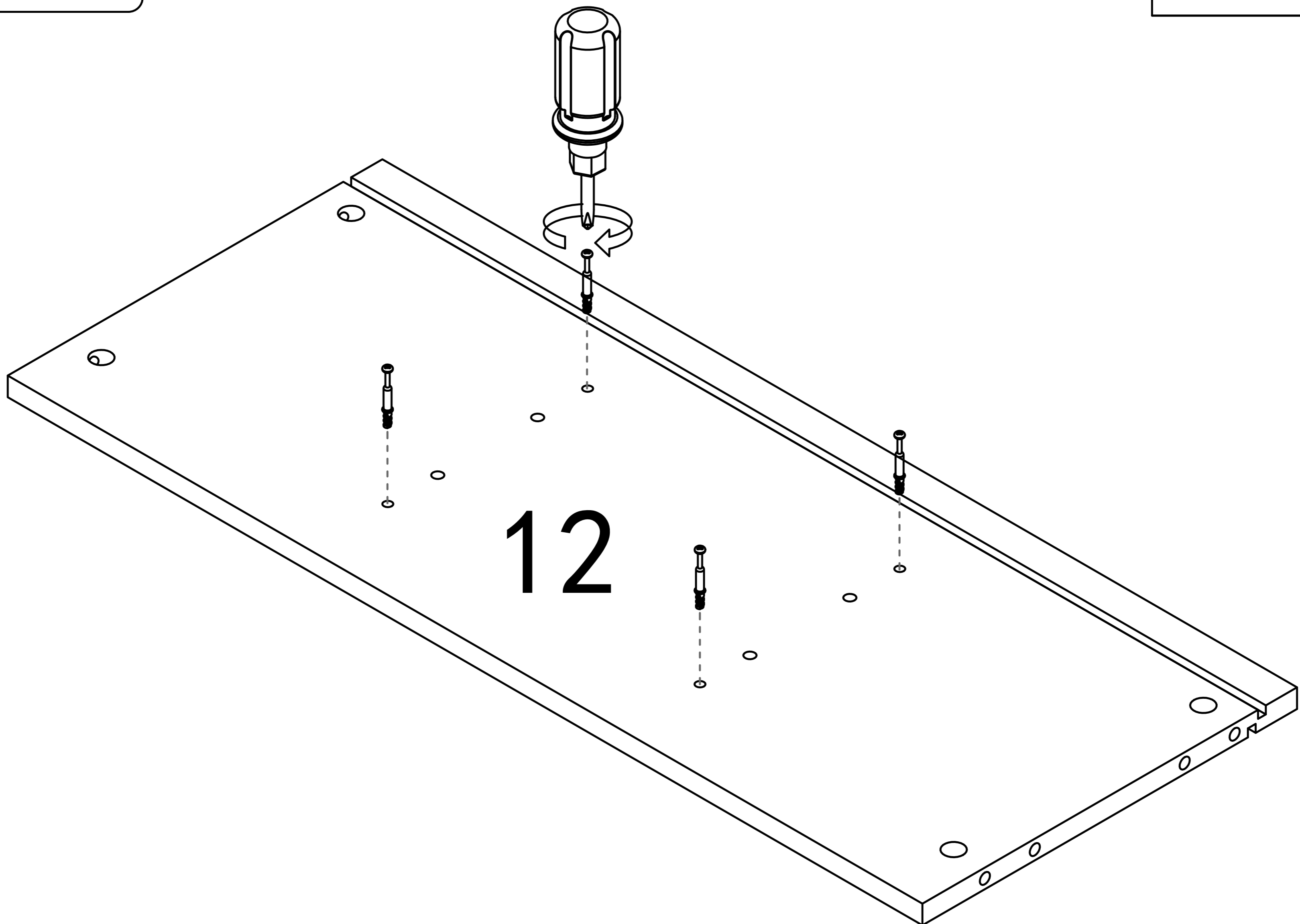
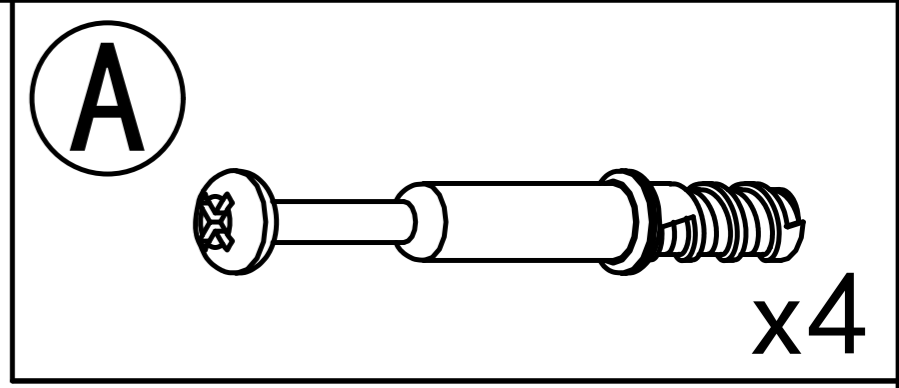
Step 15



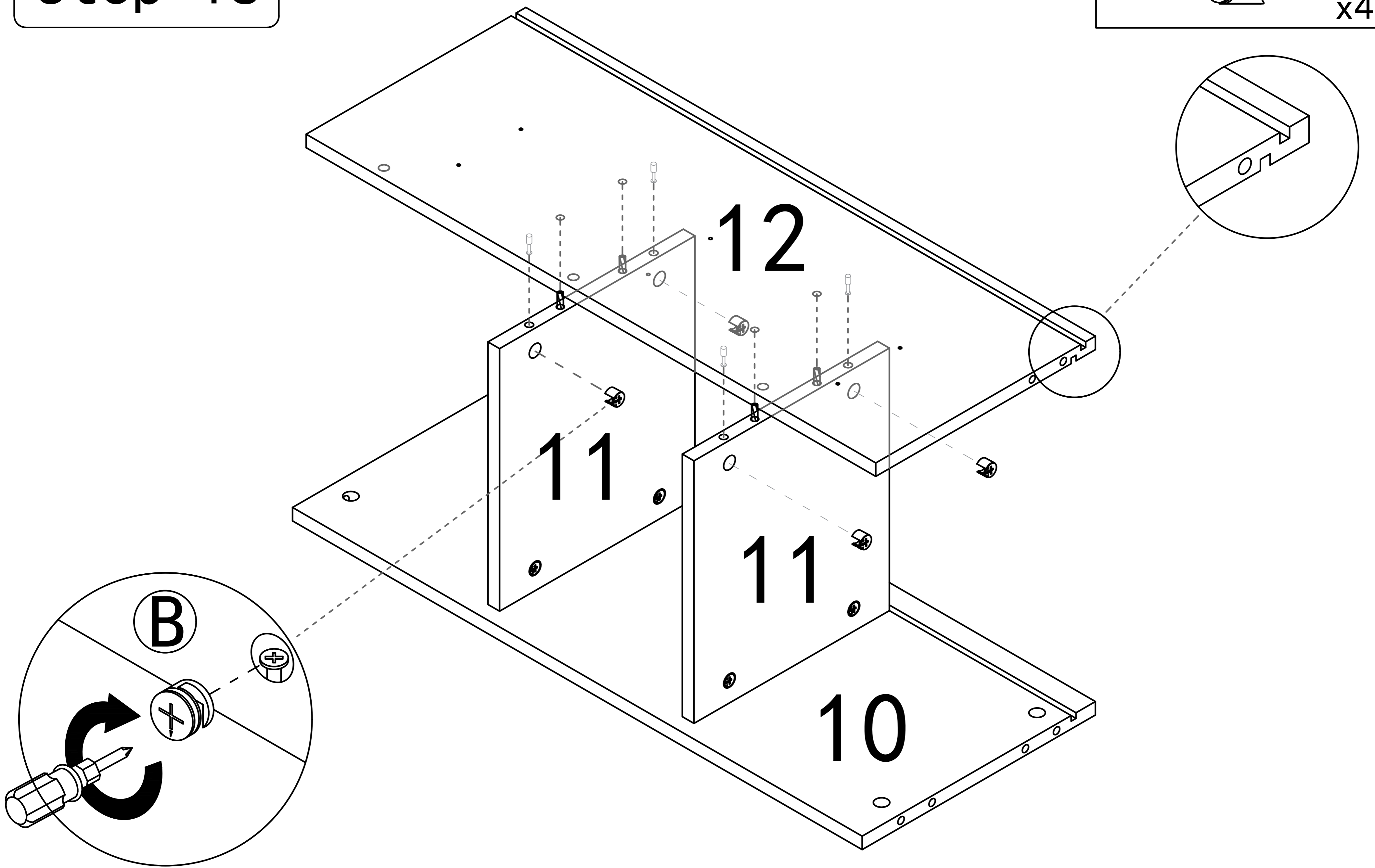
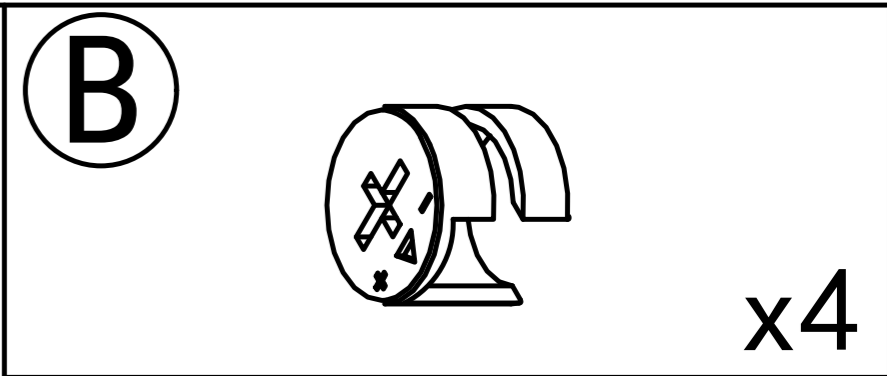
Step 16



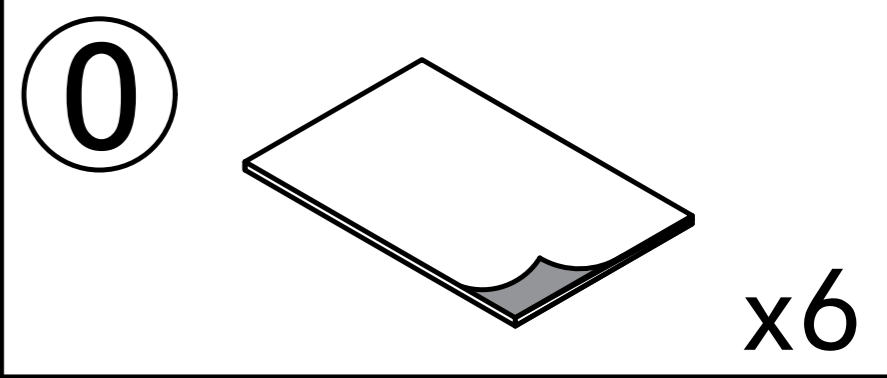
Step 17



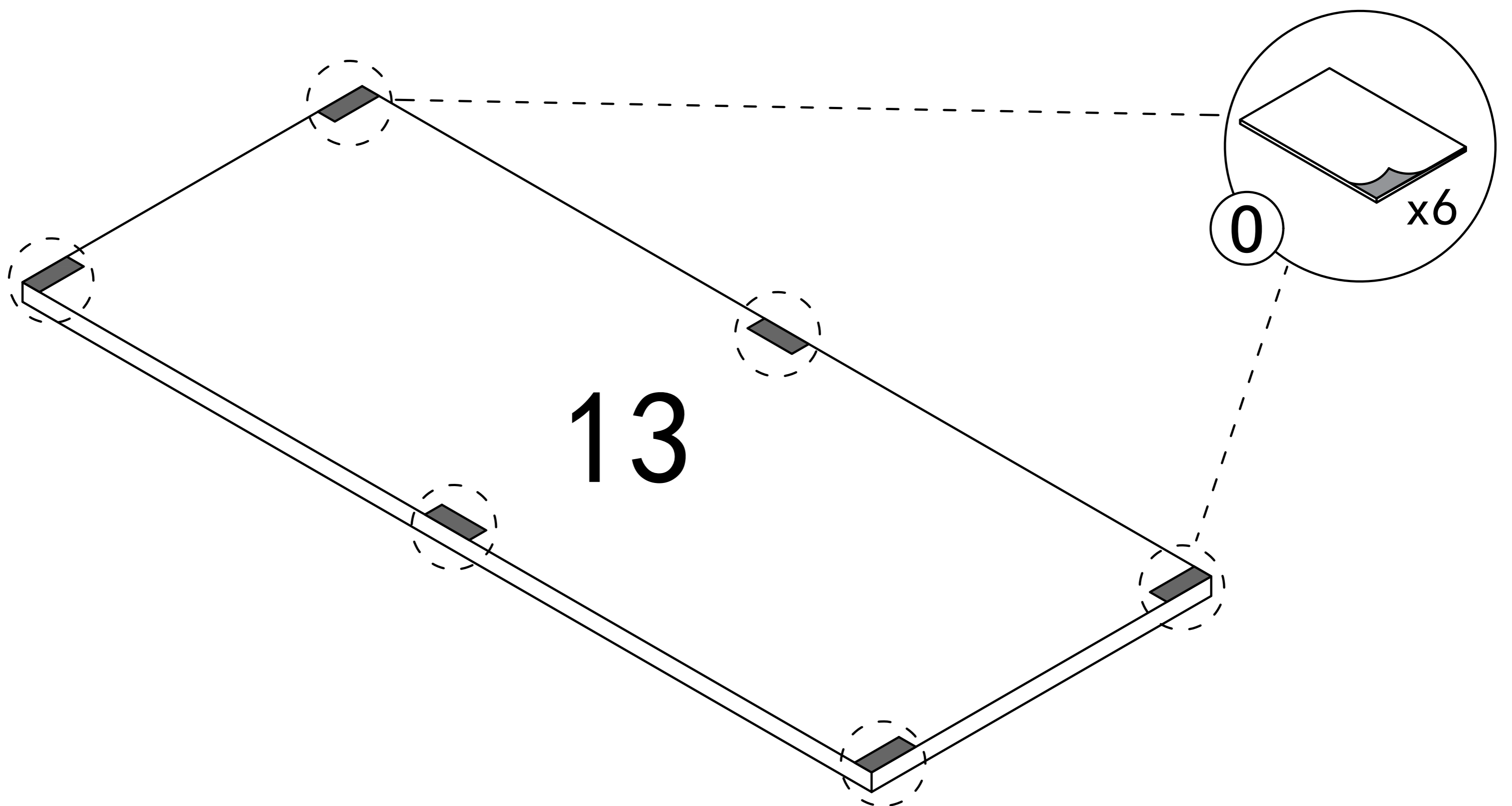
Step 18



Step 19

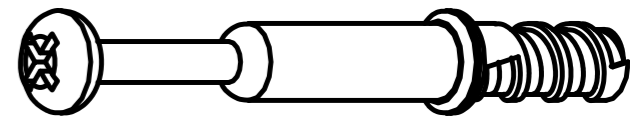
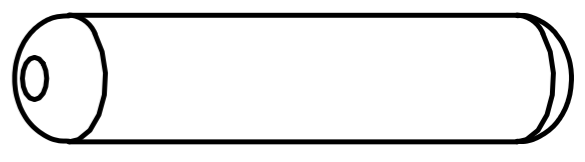


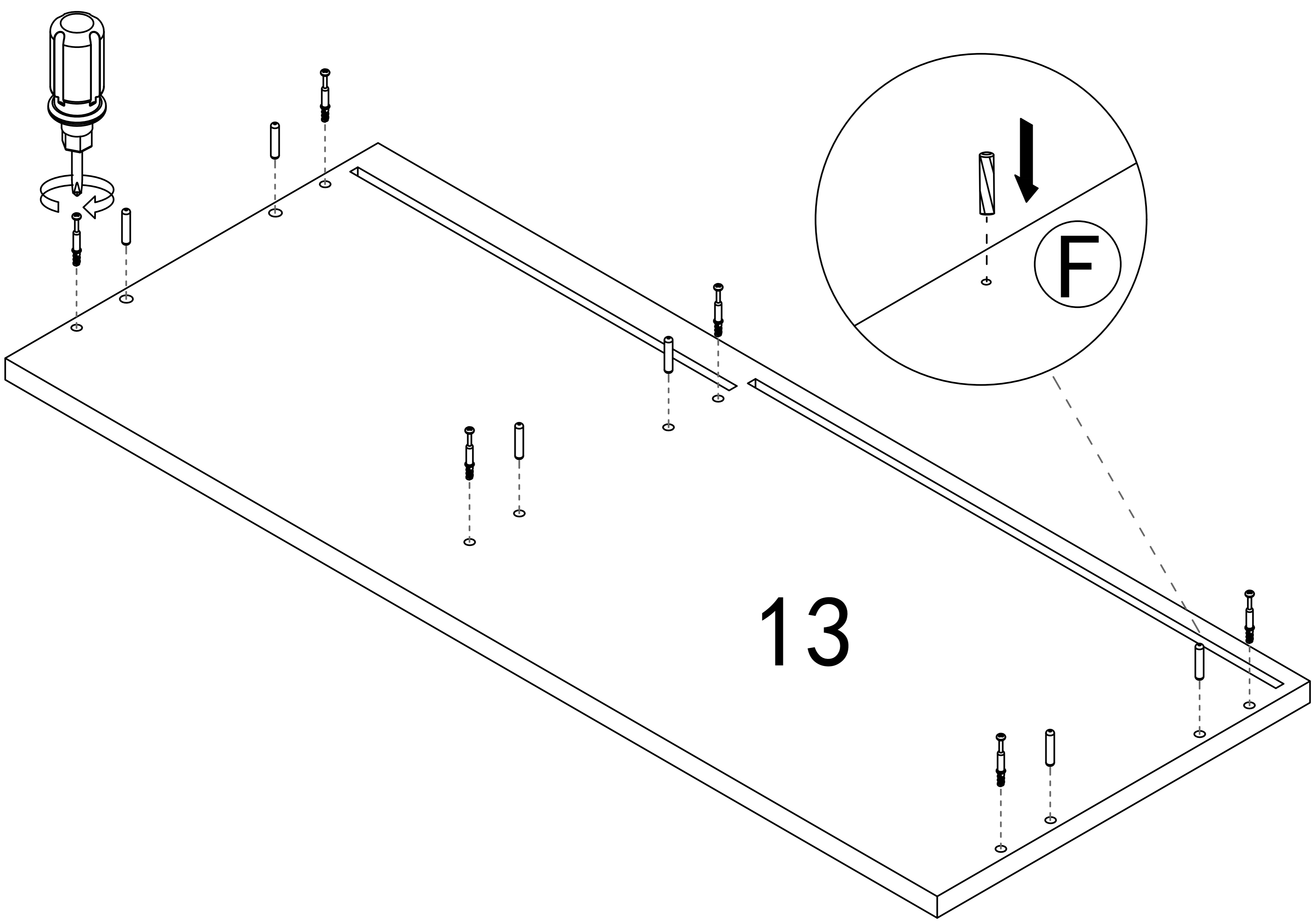
Flip board 13 onto the side without holes



Tear off release paper and stick the black foot pad on the board

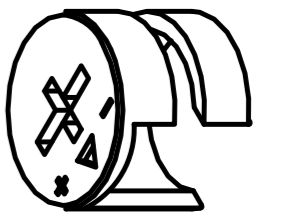
Step 20

- (A)  x6
- (F)  x6

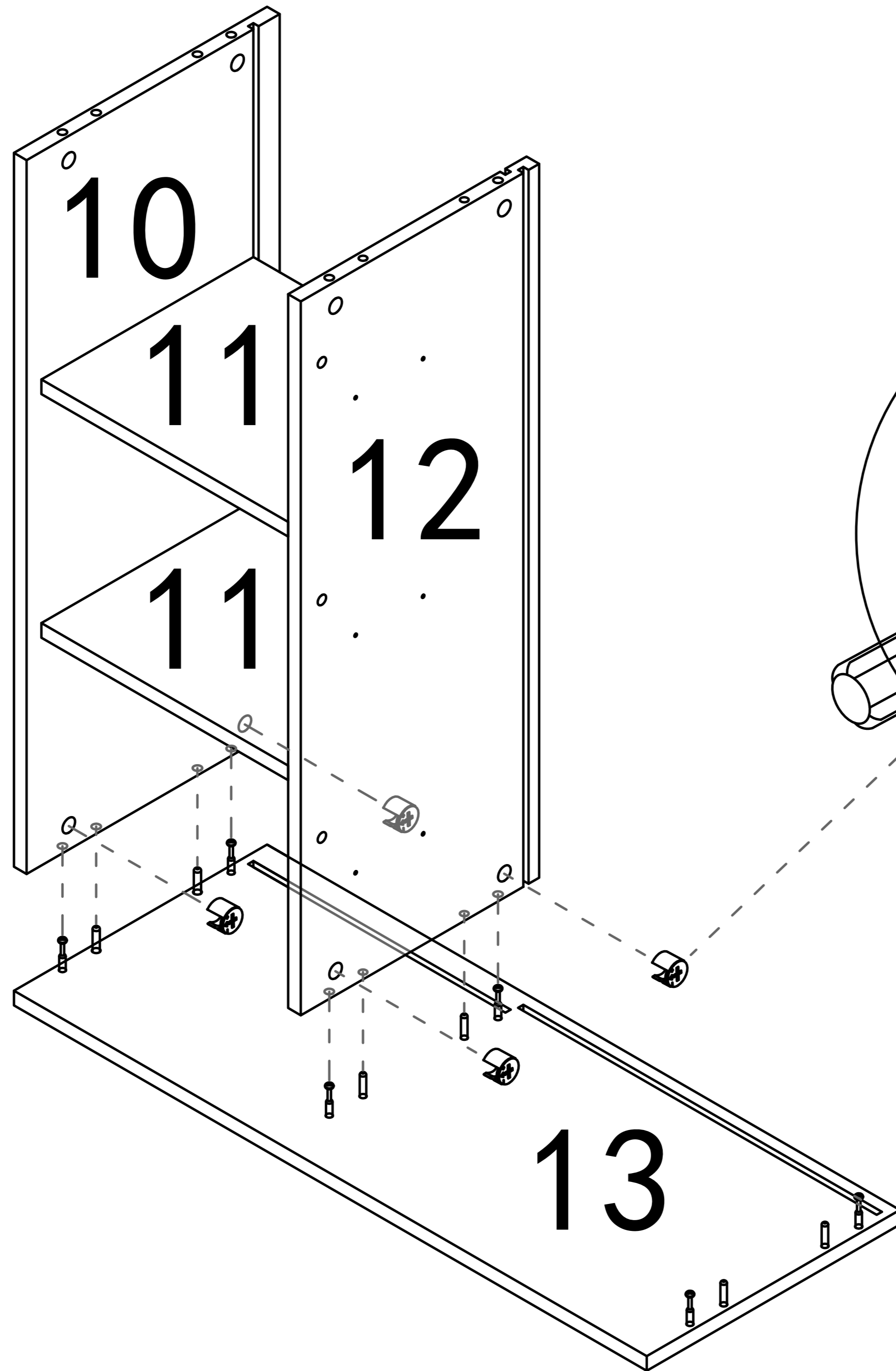


Step 21

B

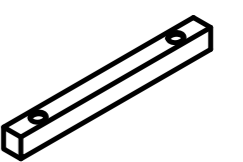


x4

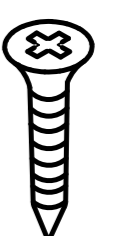


Step 22

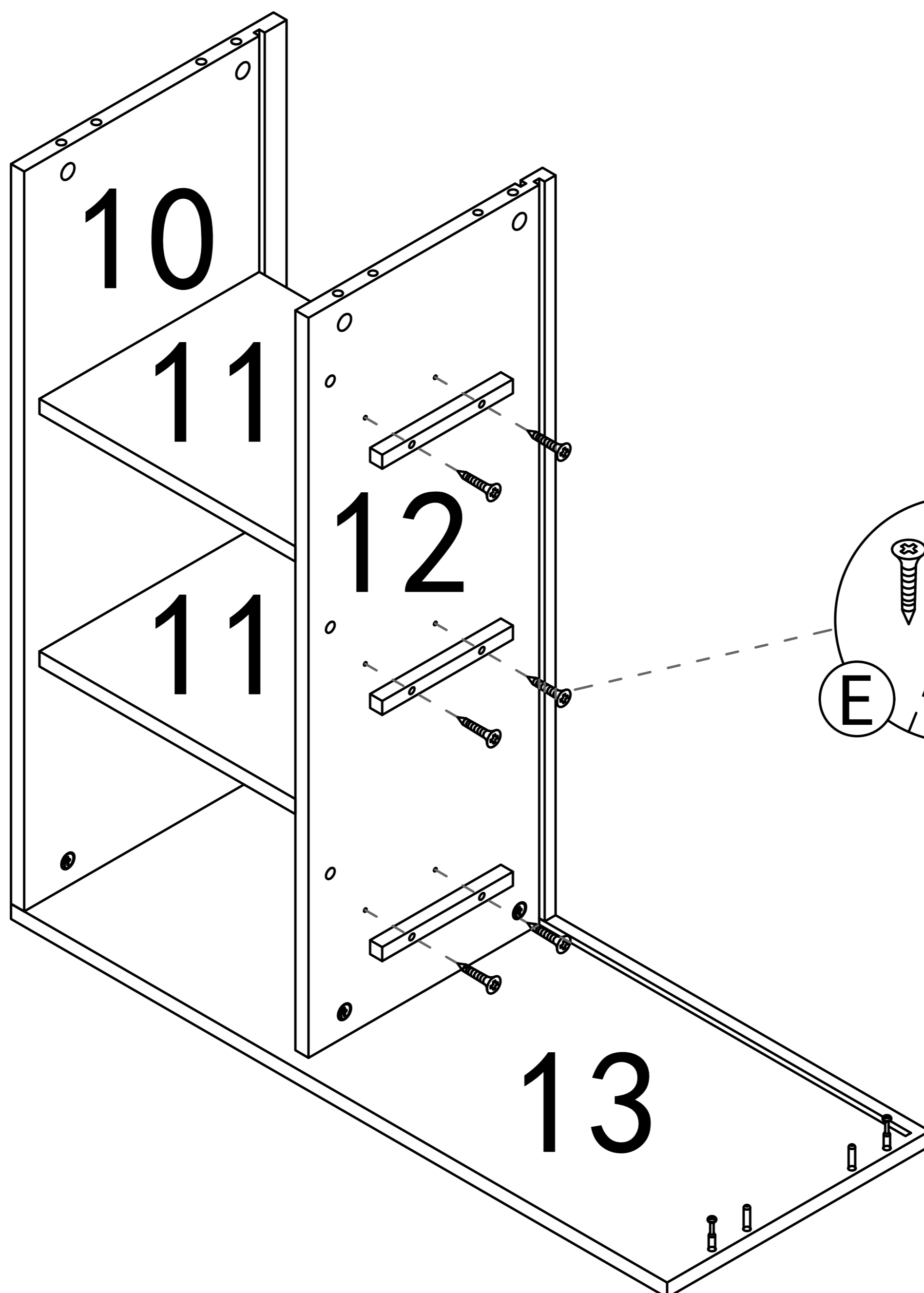
E



x3

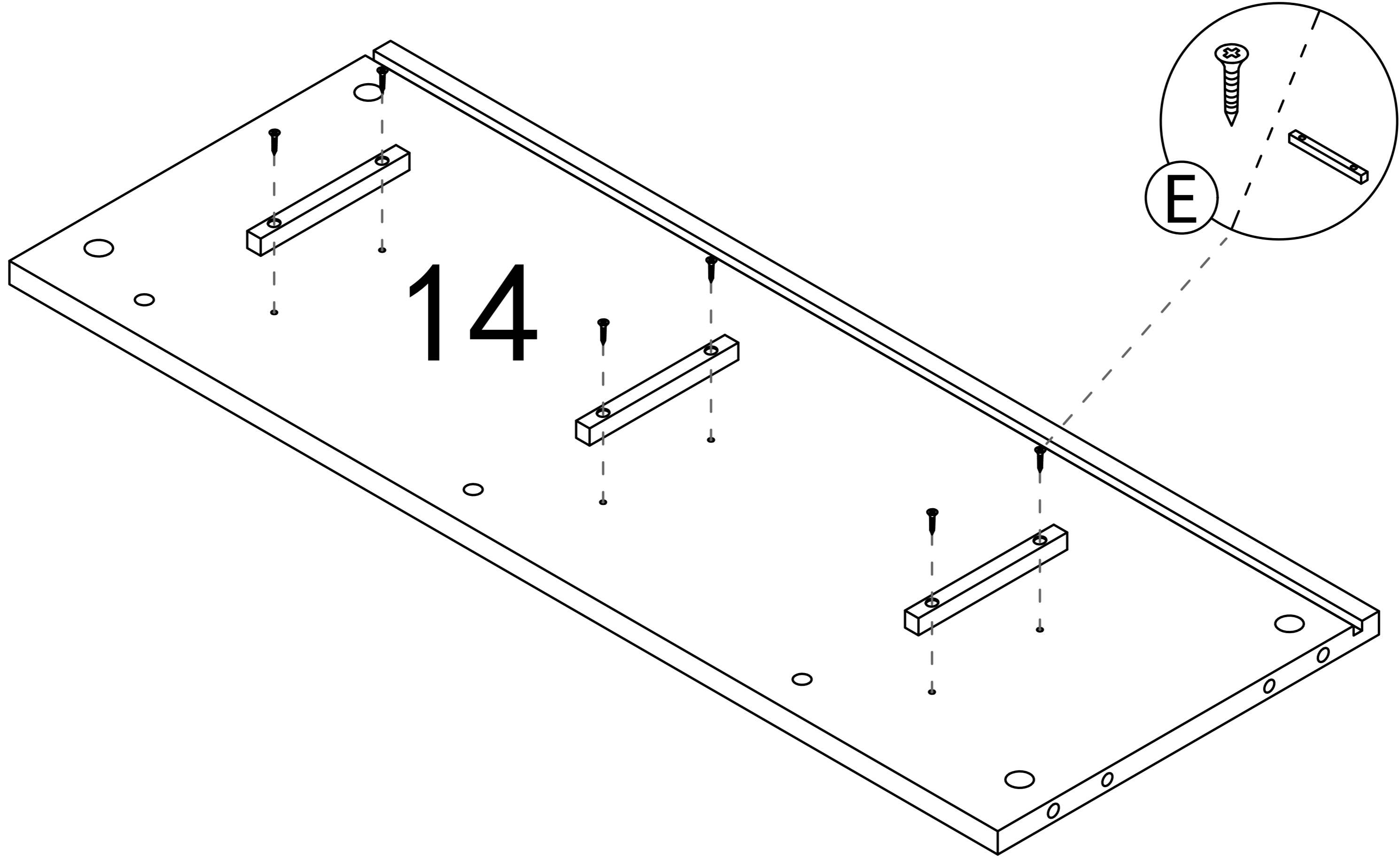
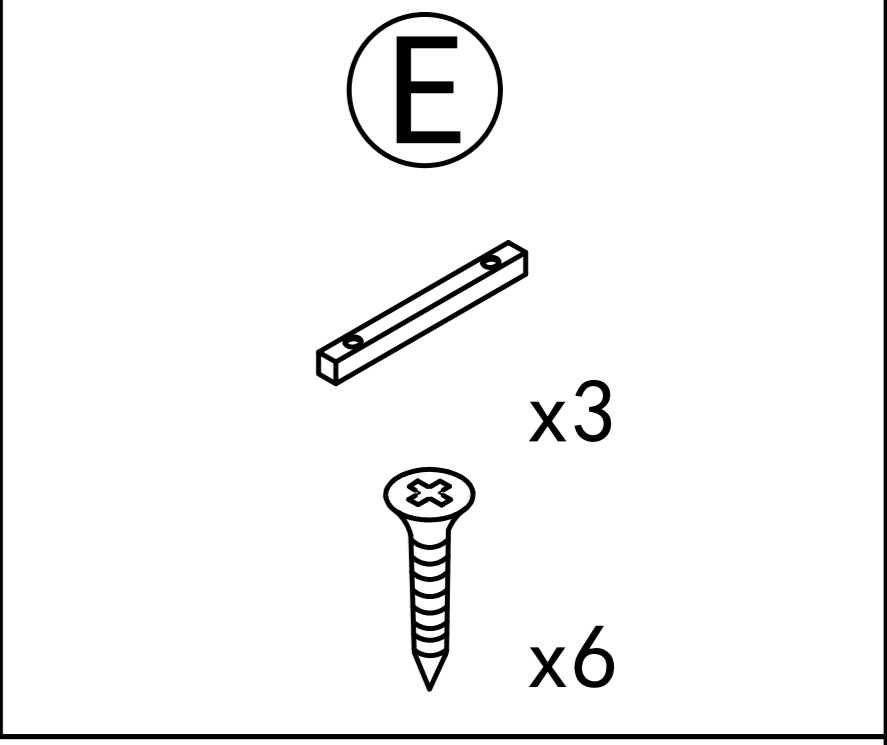


x6

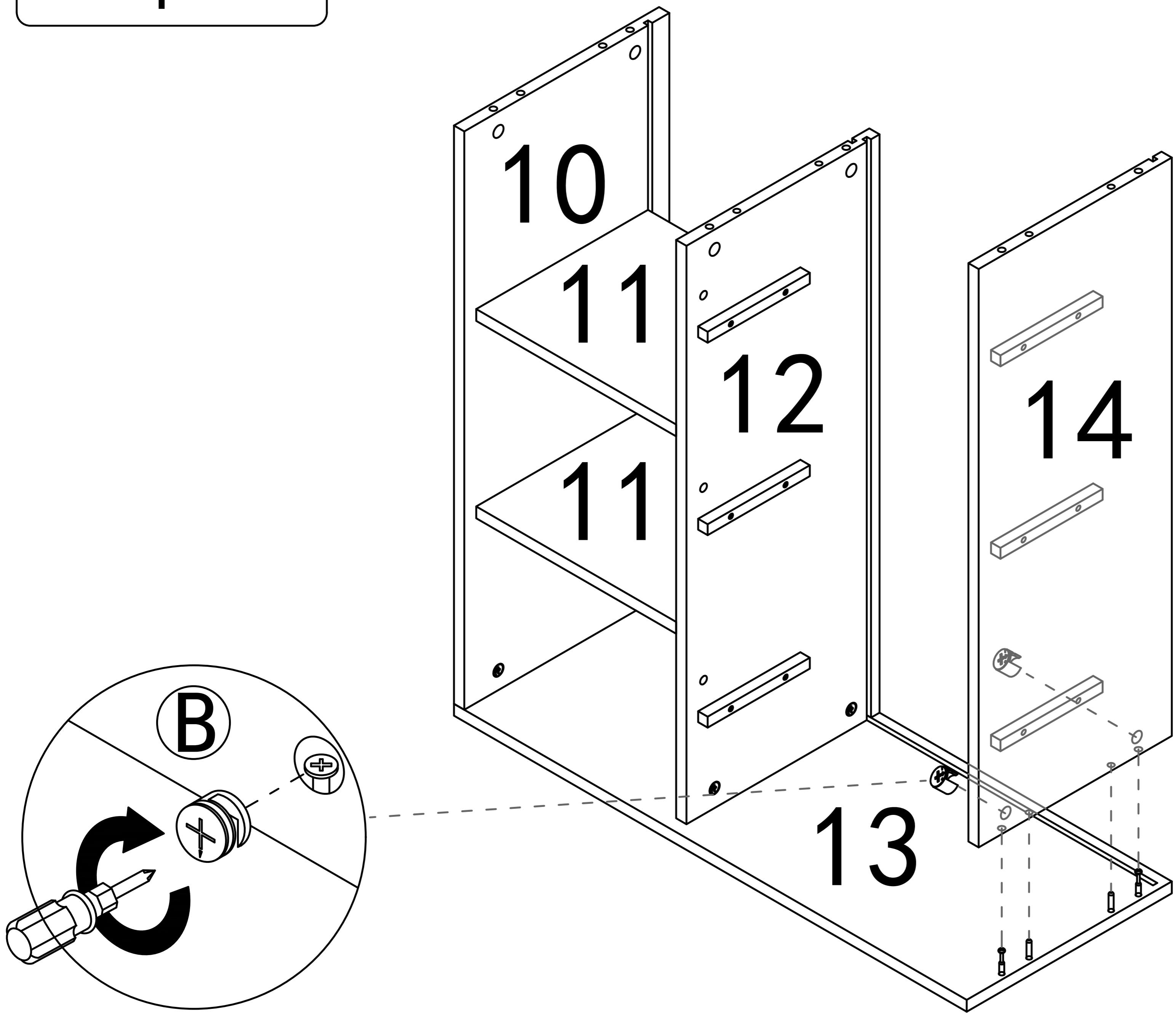
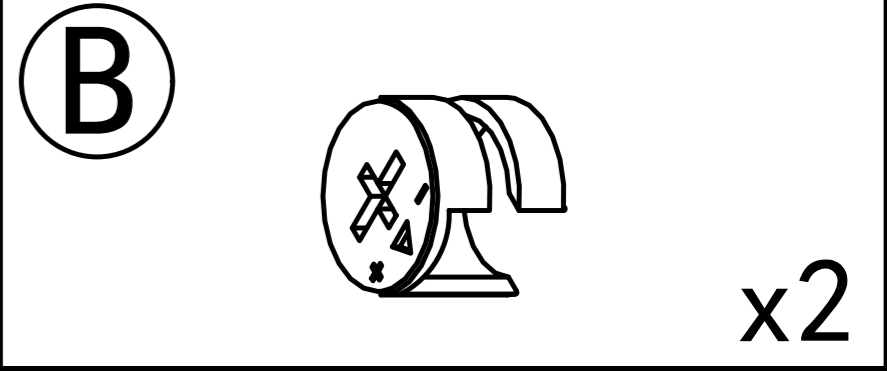


20

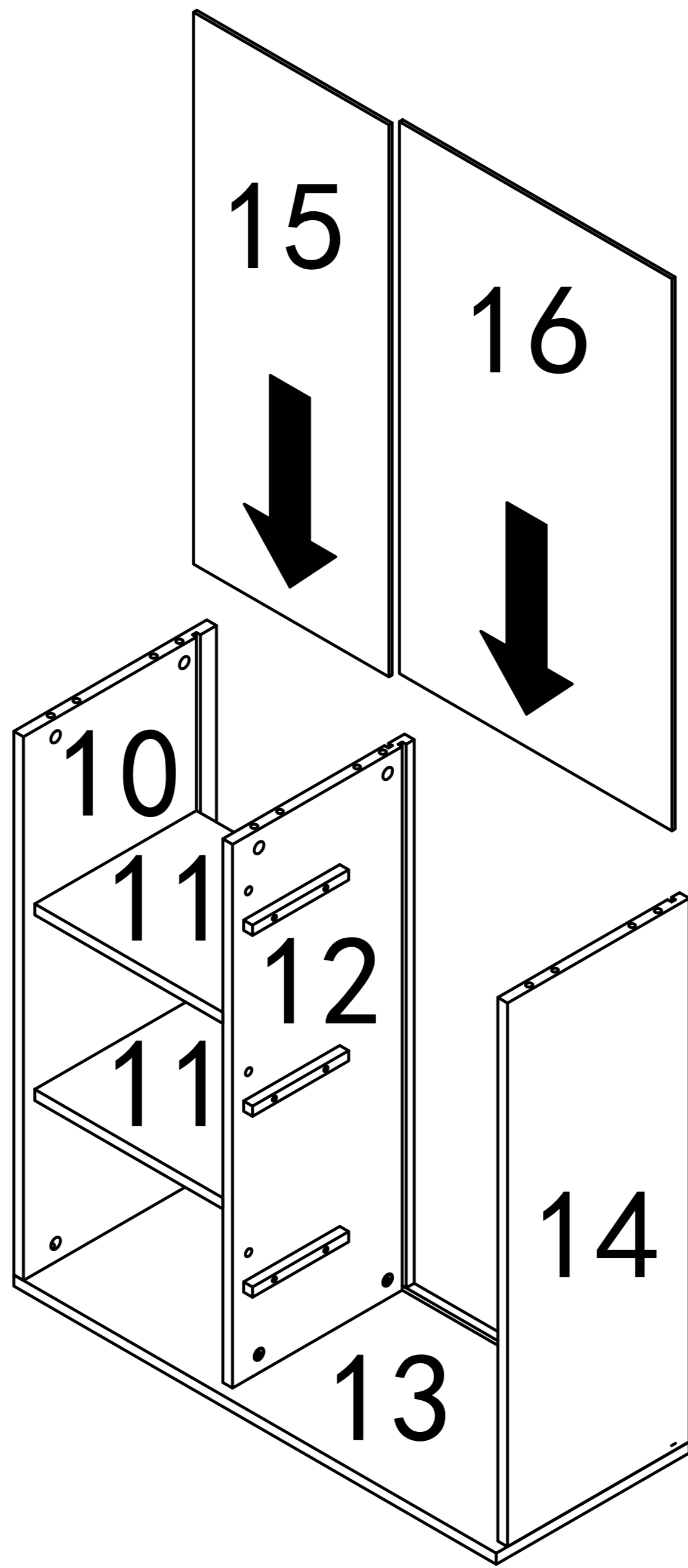
Step 23



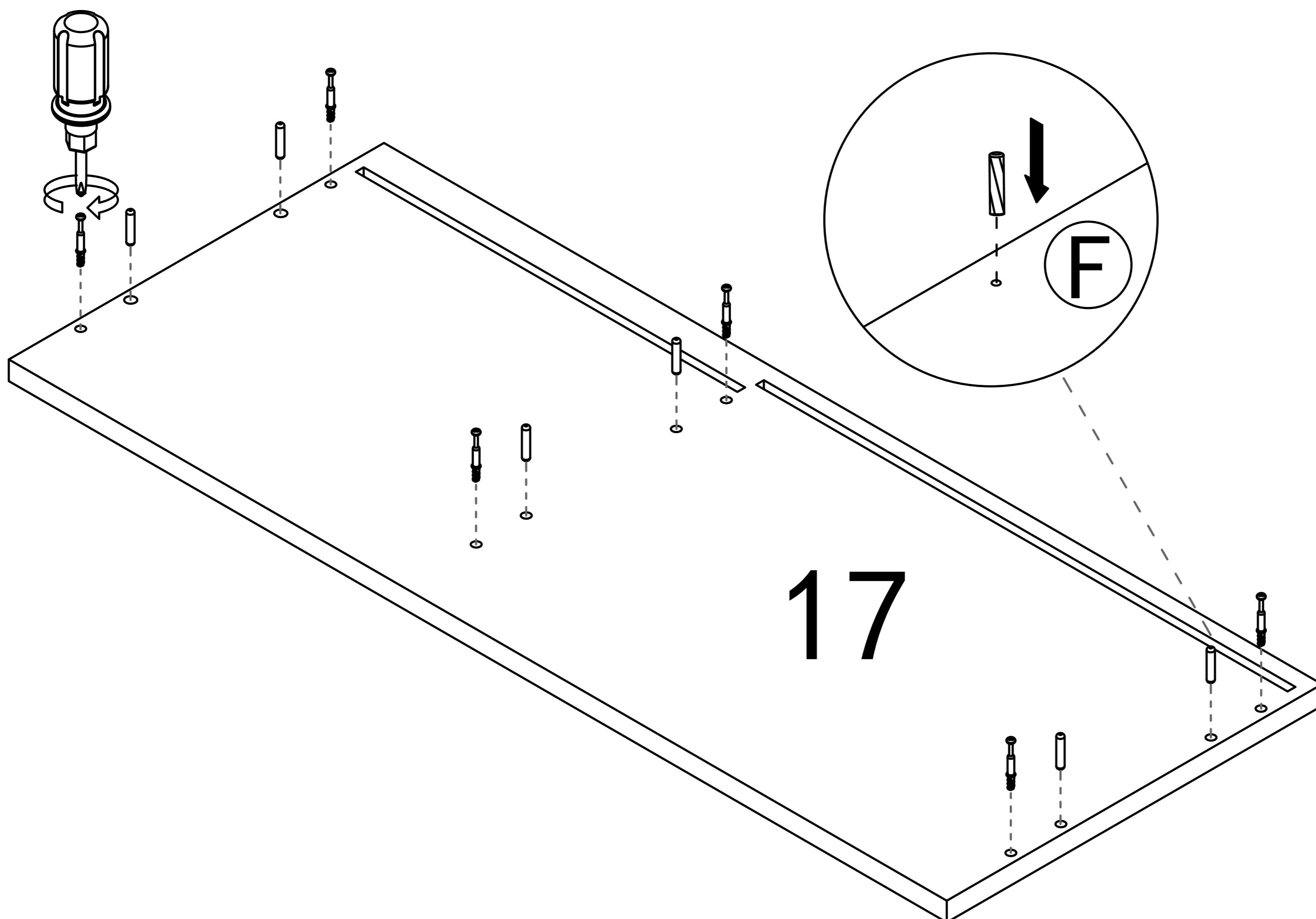
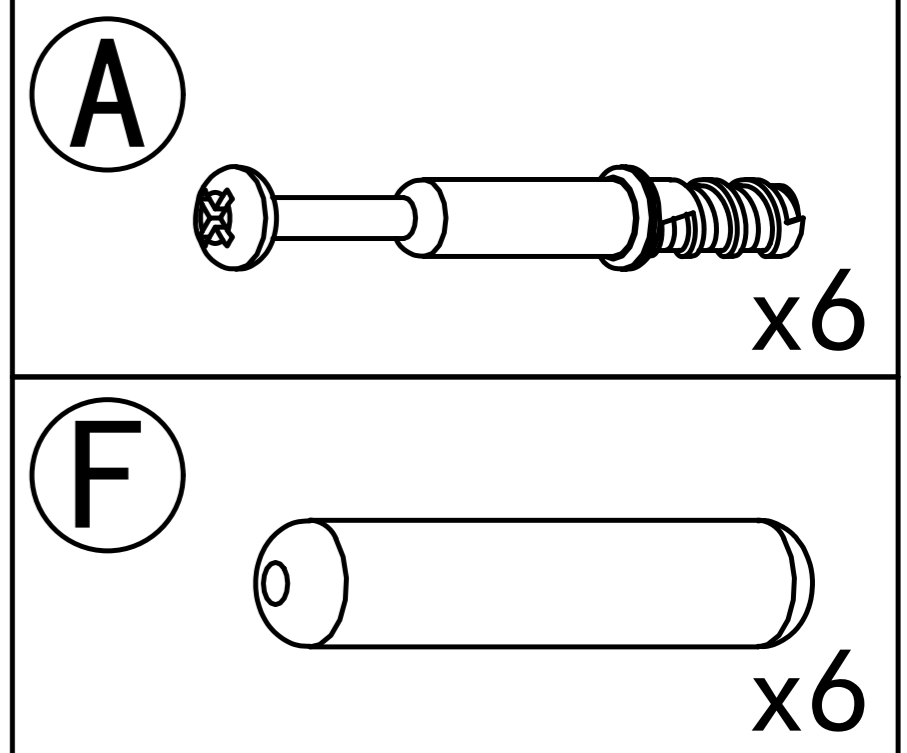
Step 24



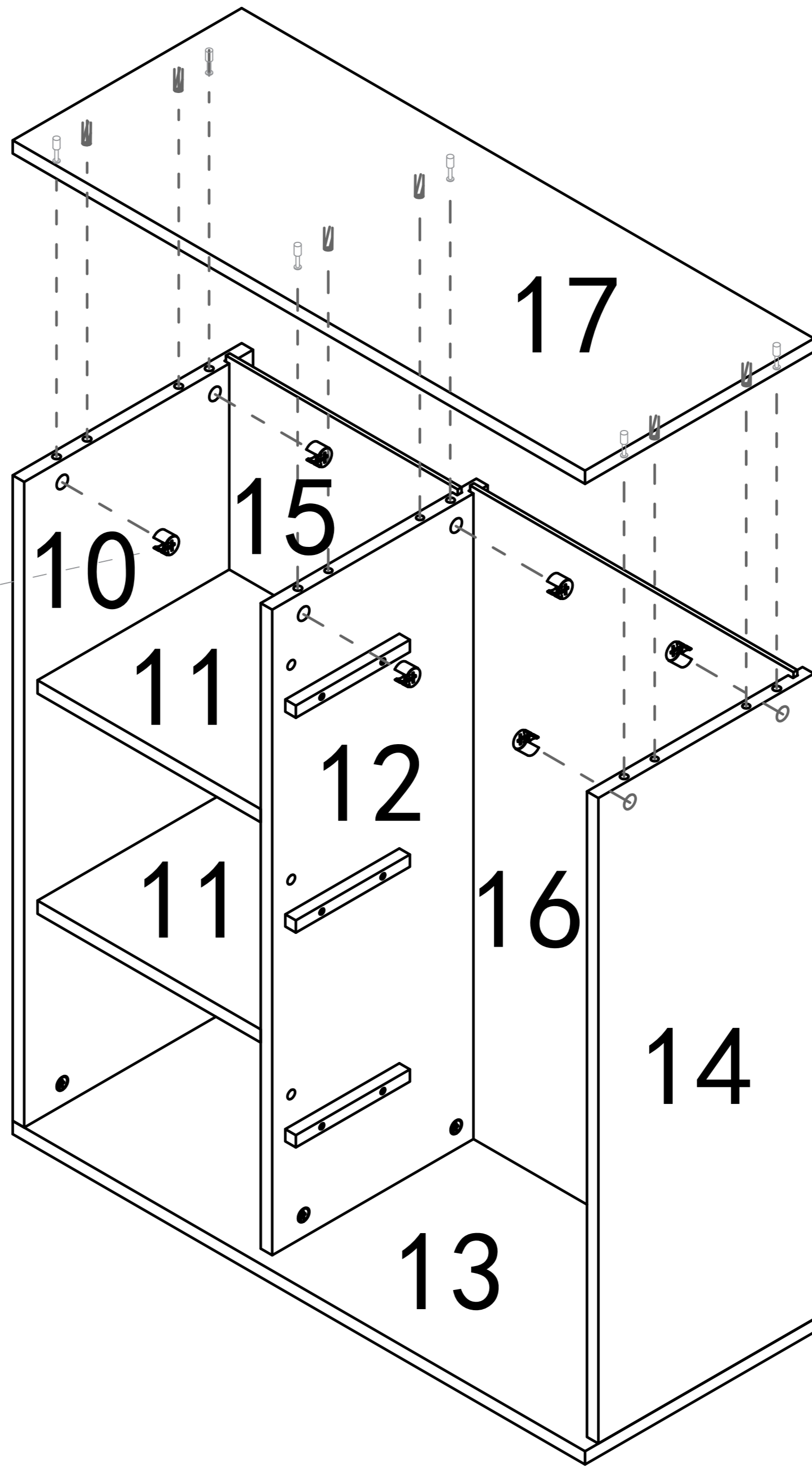
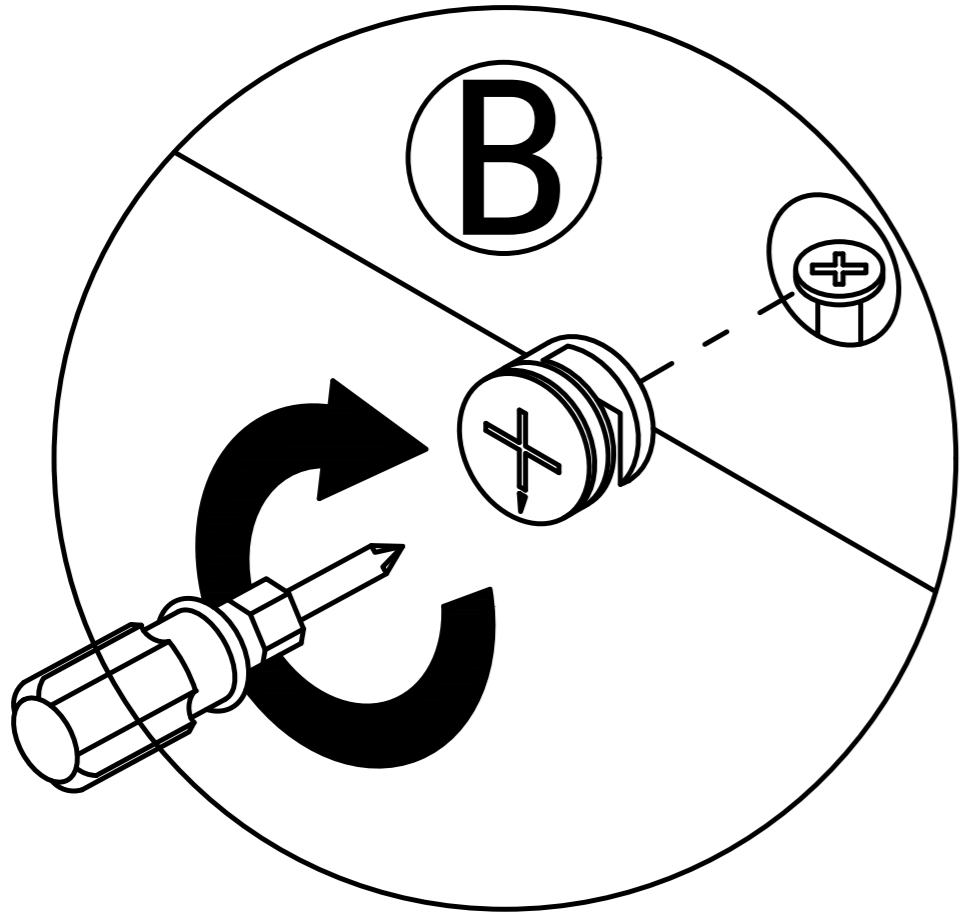
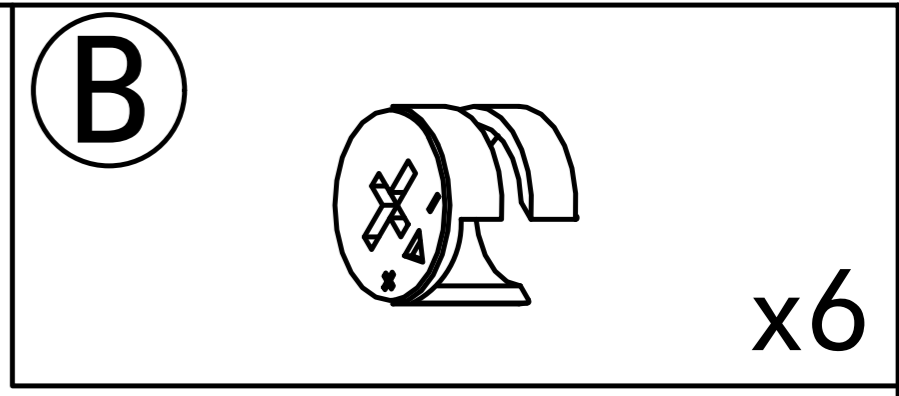
Step 25



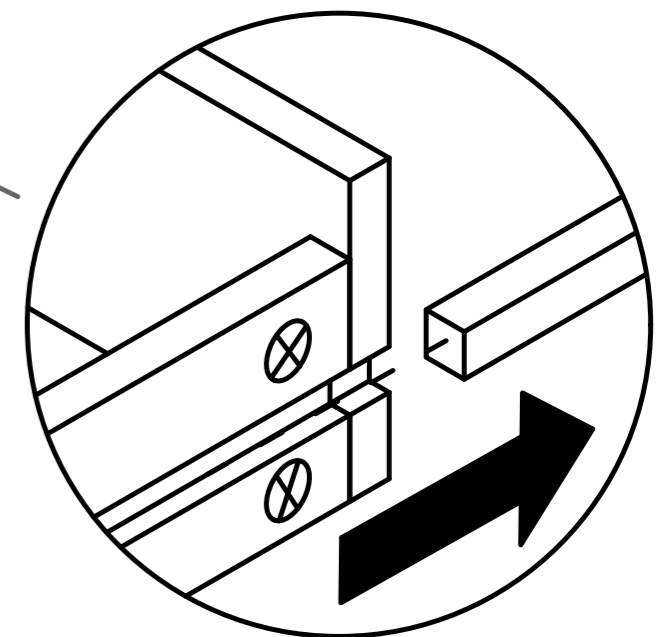
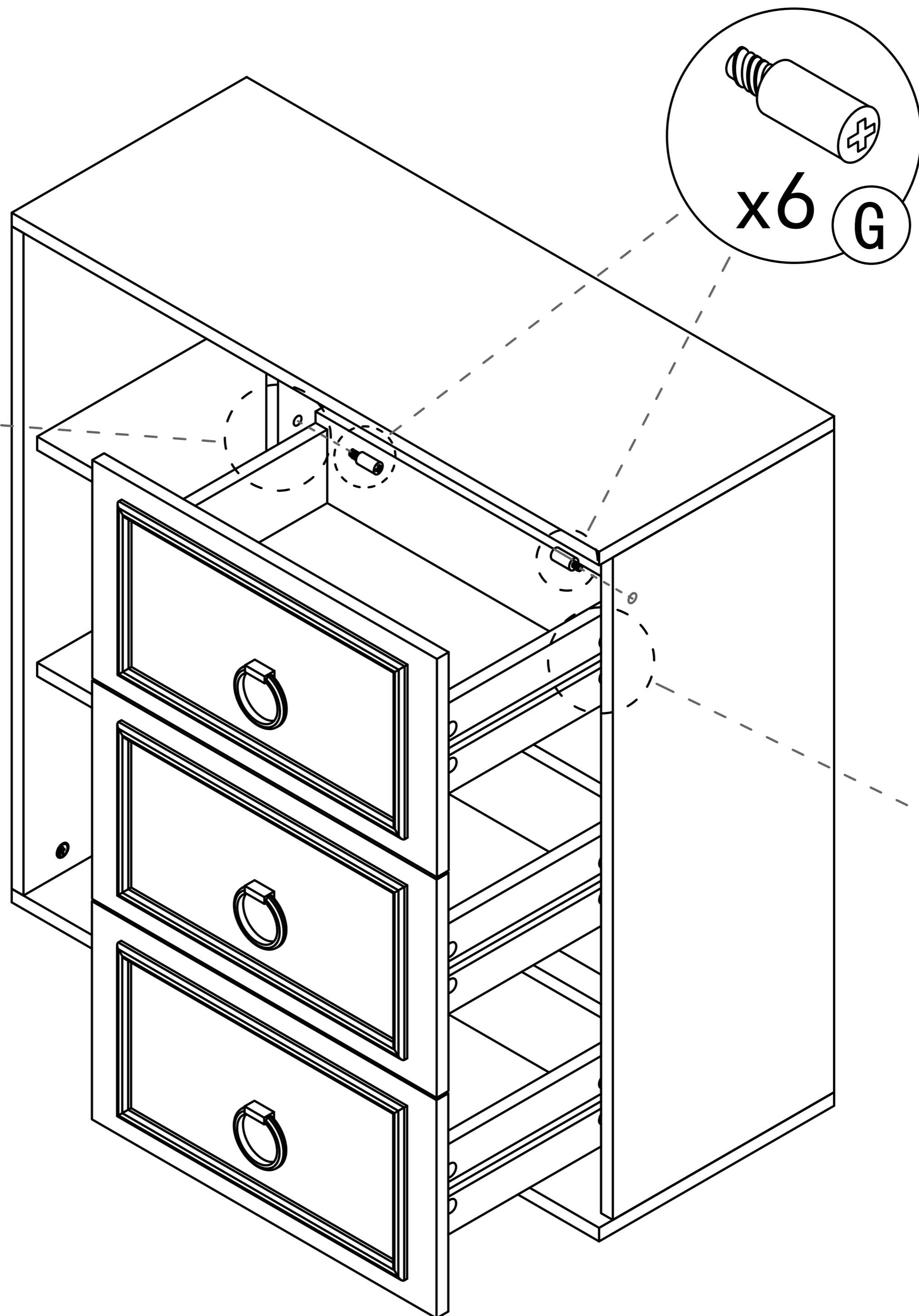
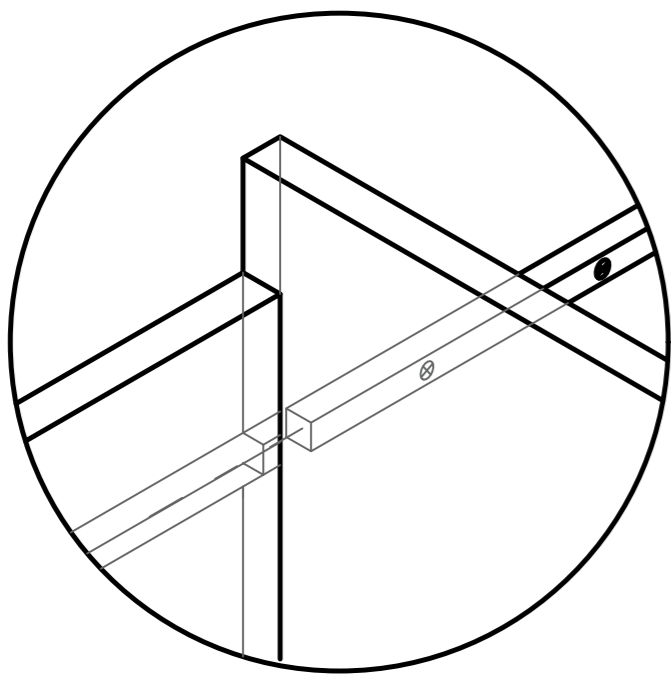
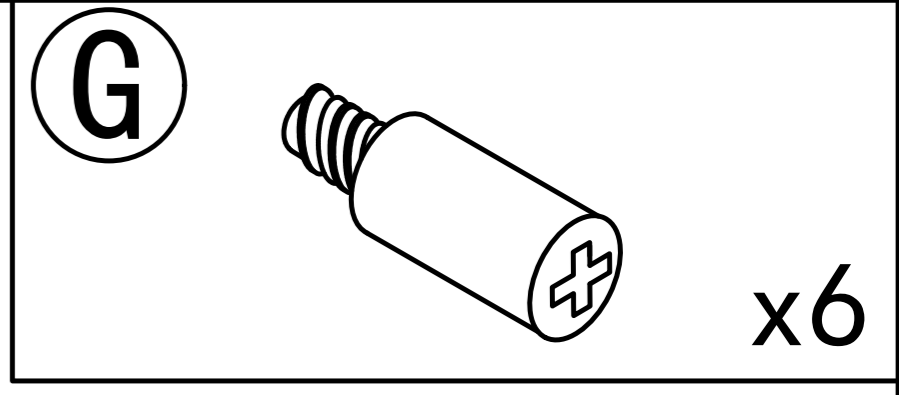
Step 26



Step 27



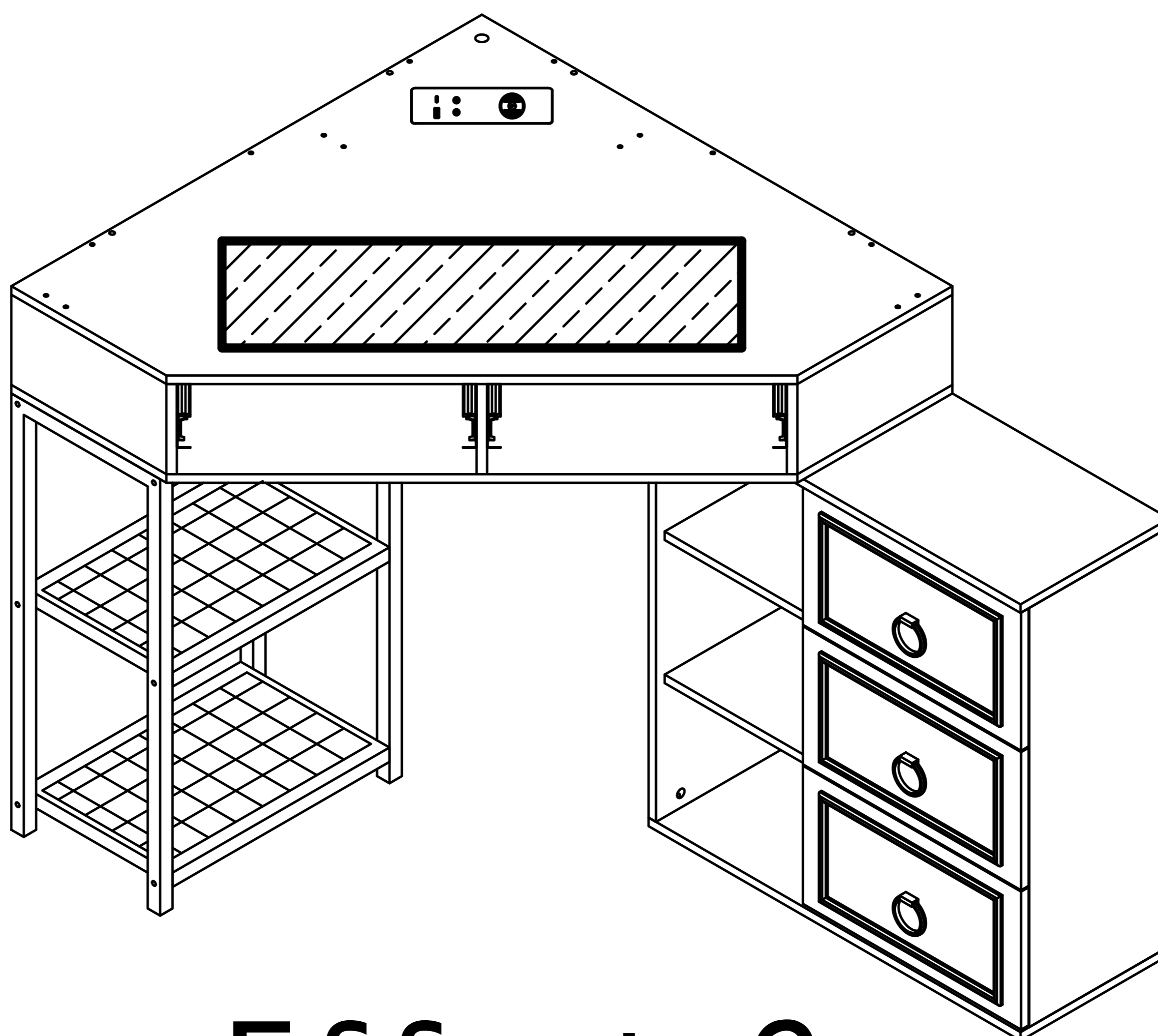
Step 28



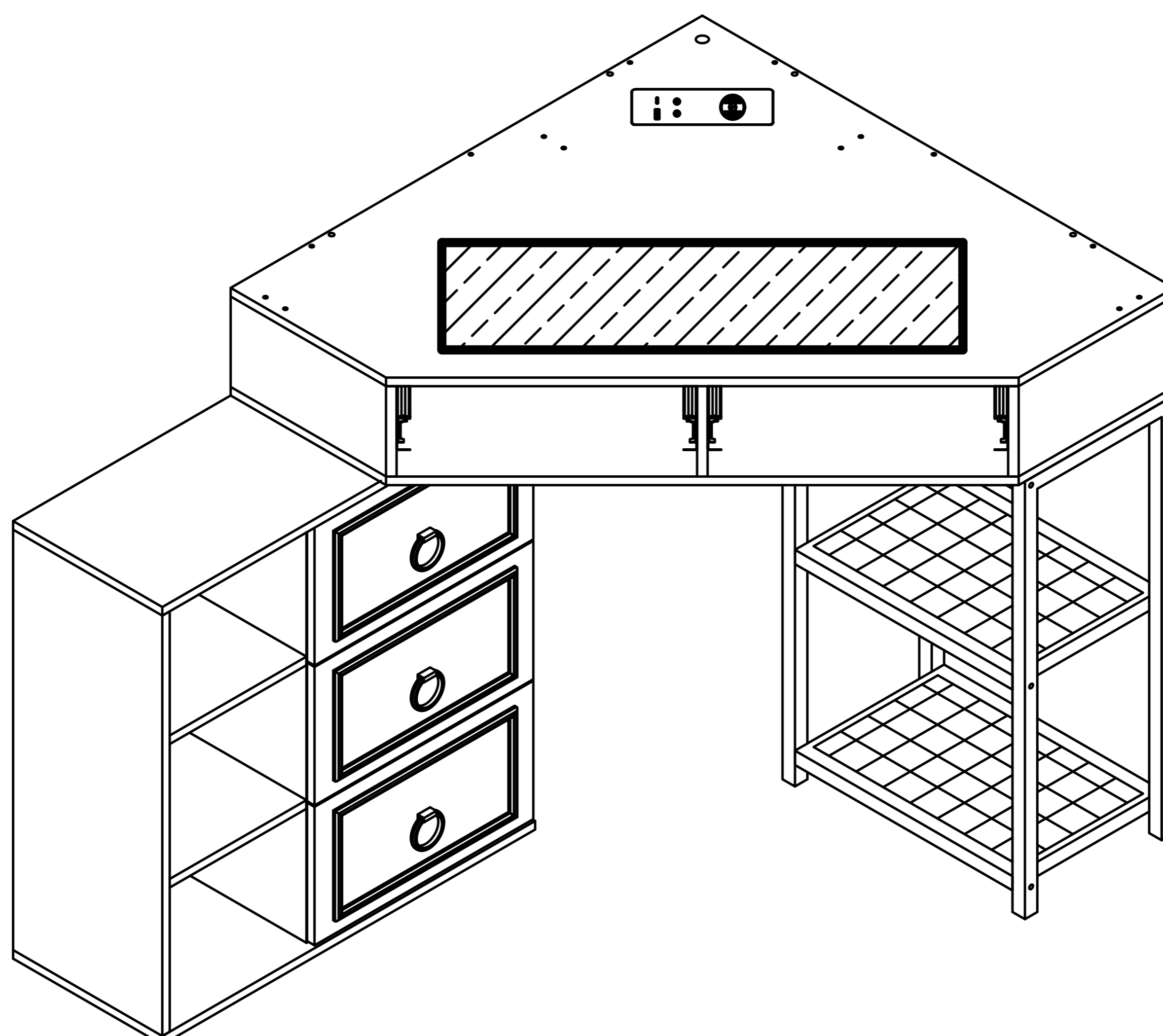
Step 29

This part can connect and fix the secondary cabinet and main cabinet, and customers can choose to install it according to their needs

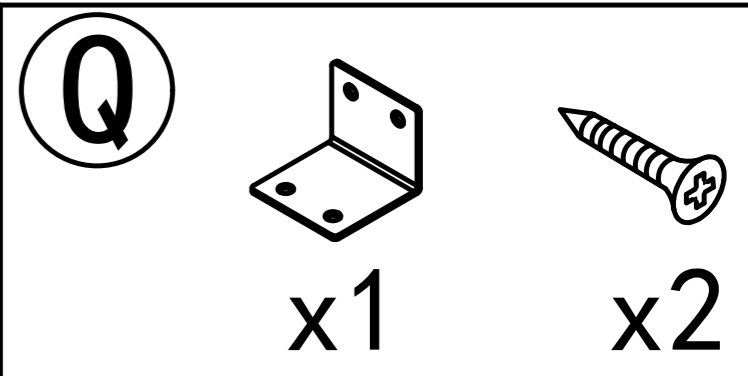
Effect 1



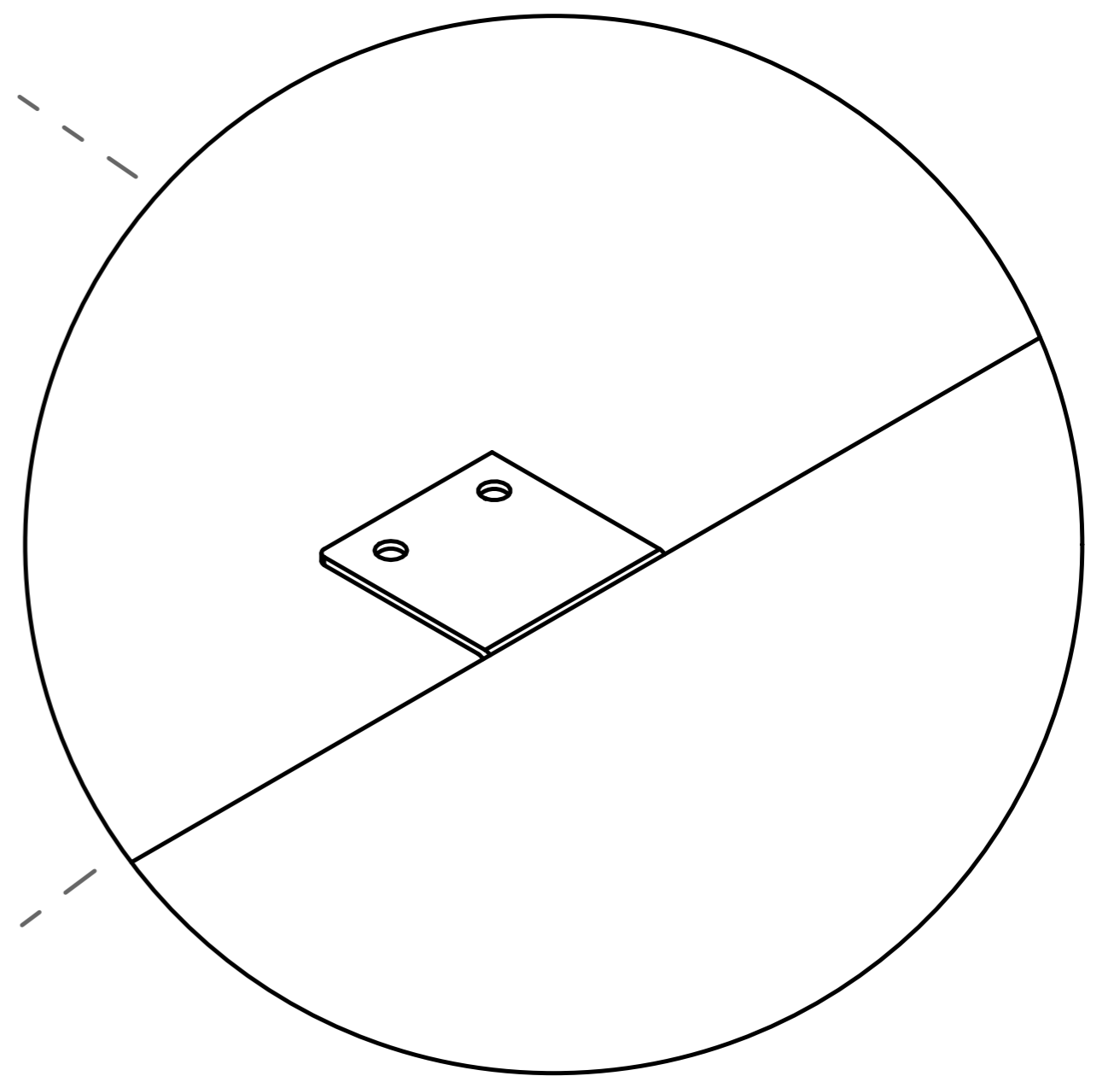
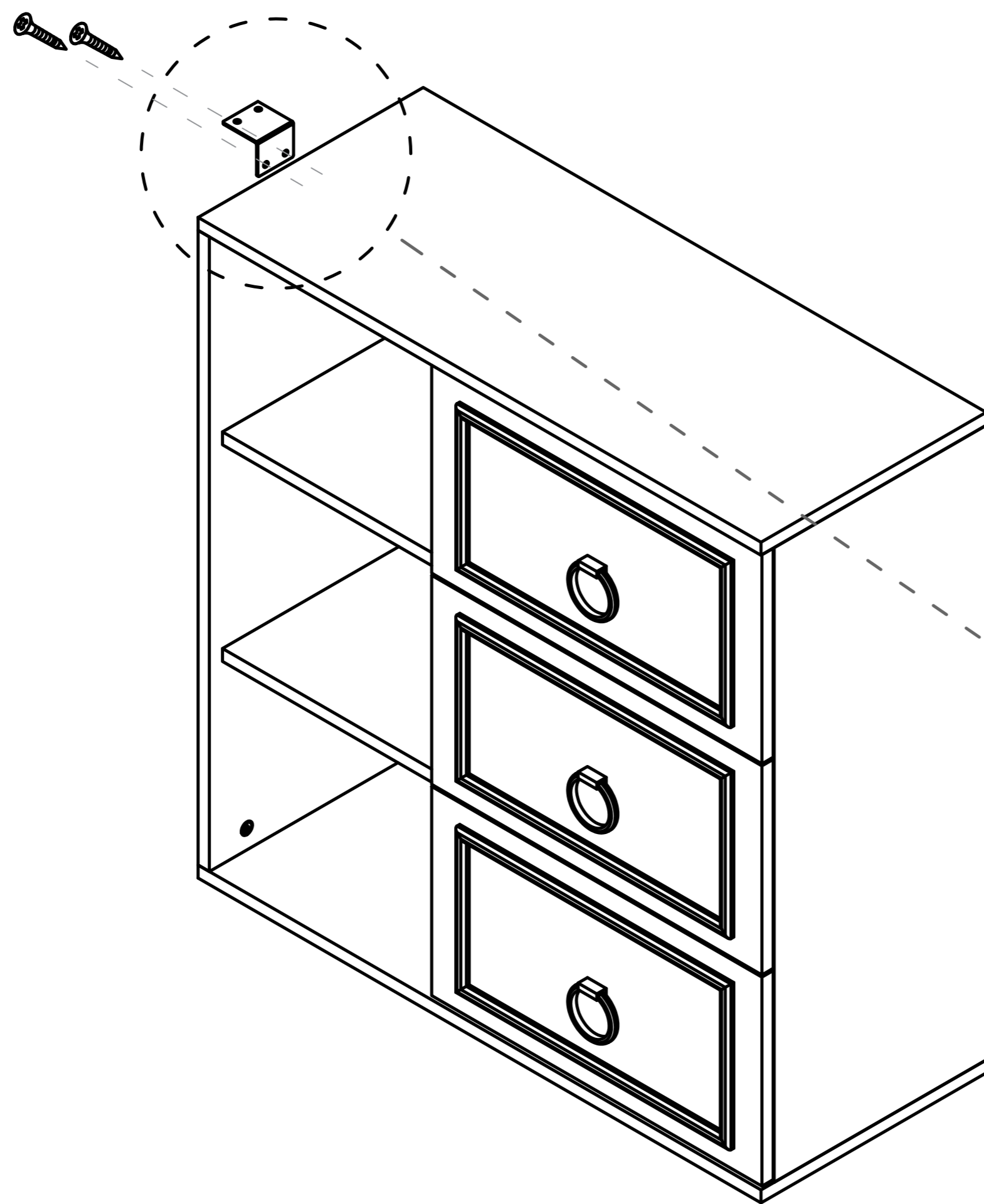
Effect 2



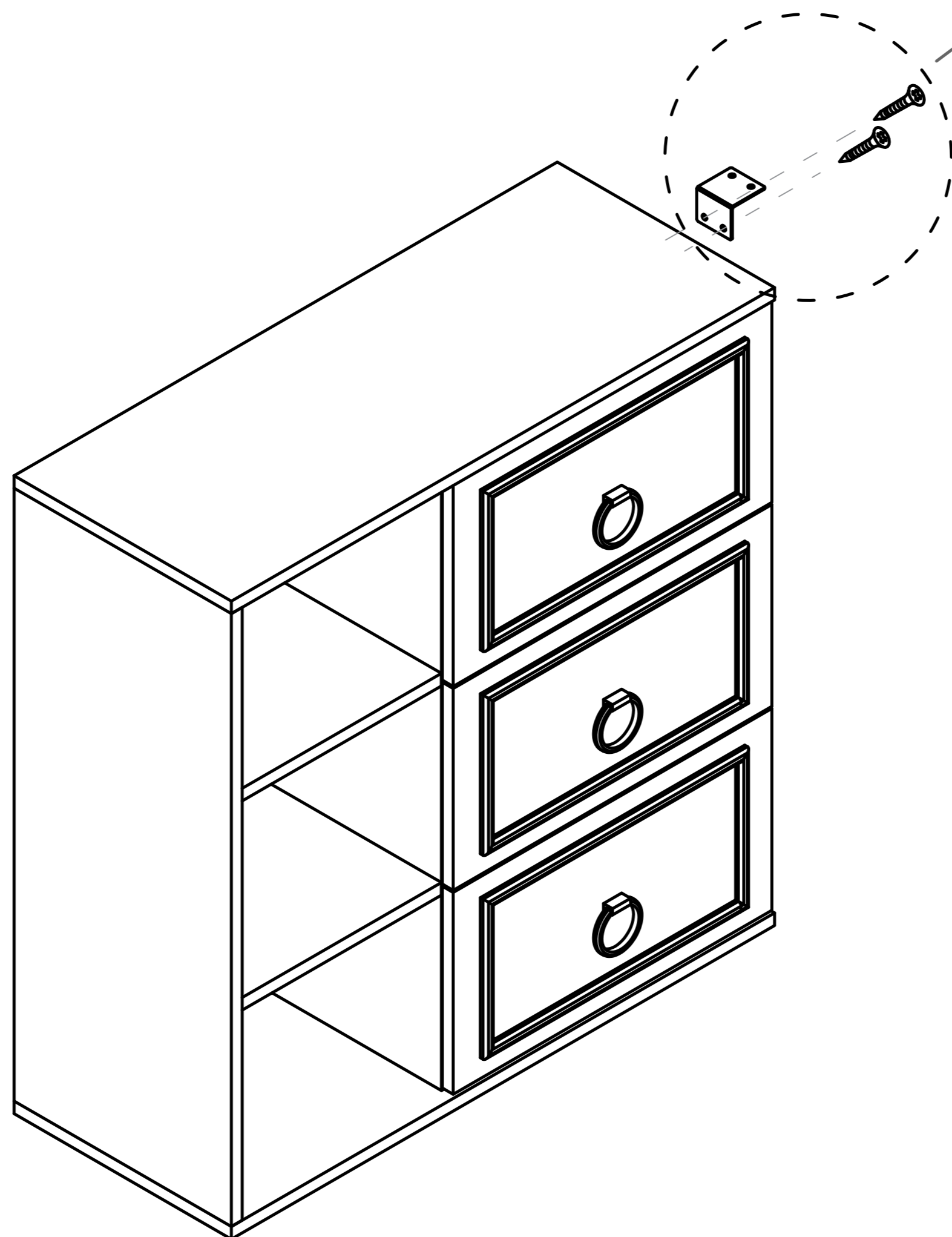
Step 30



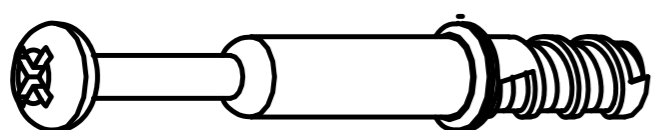
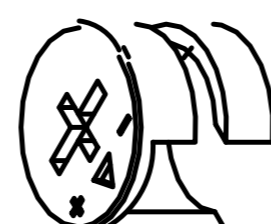
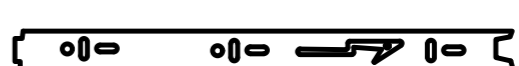

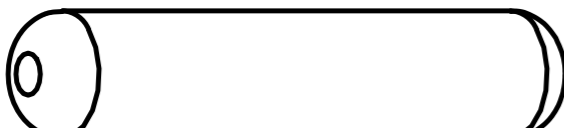
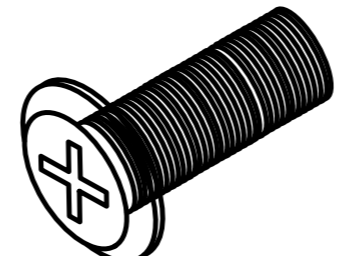
Effect 1

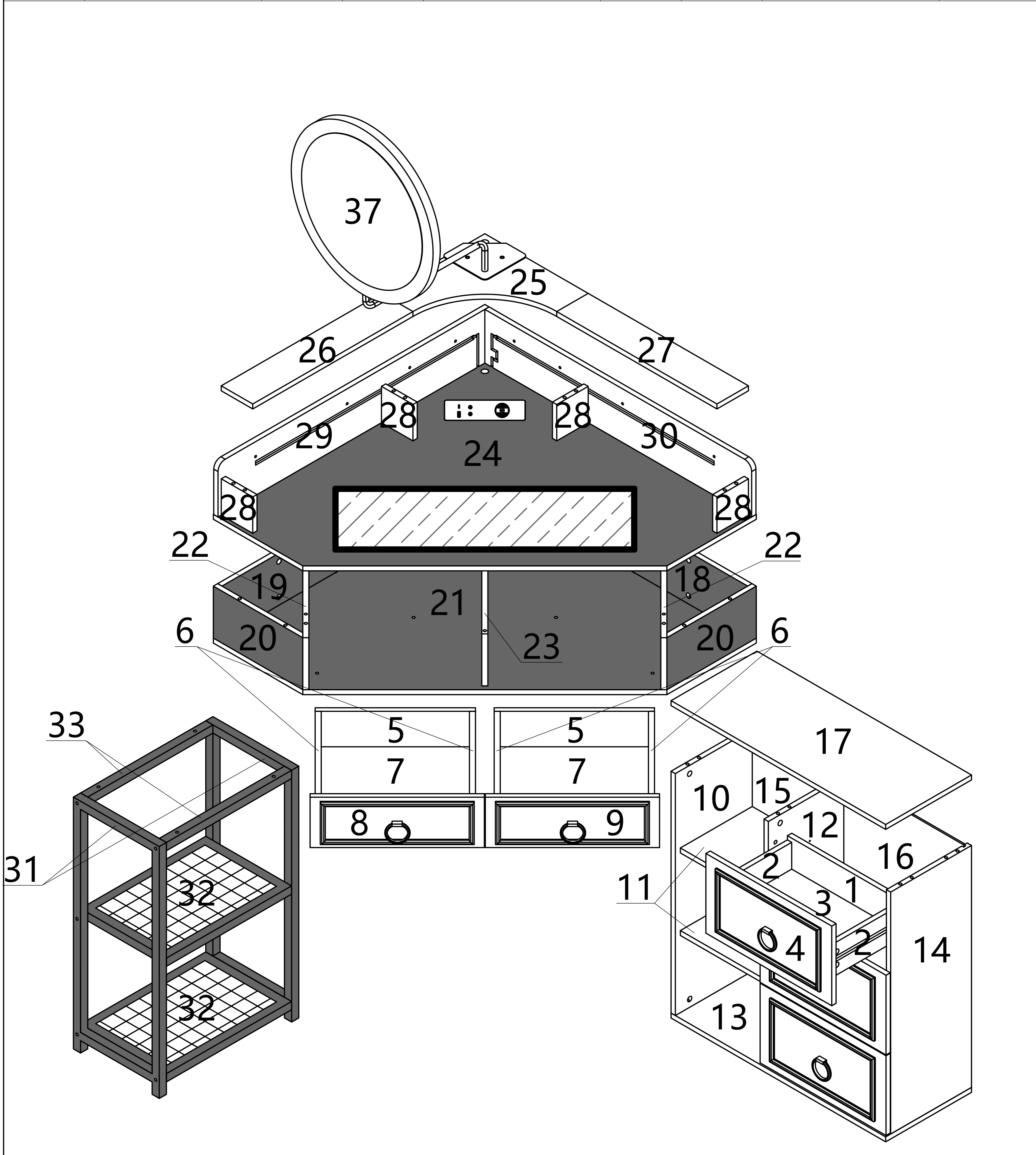


Effect 2

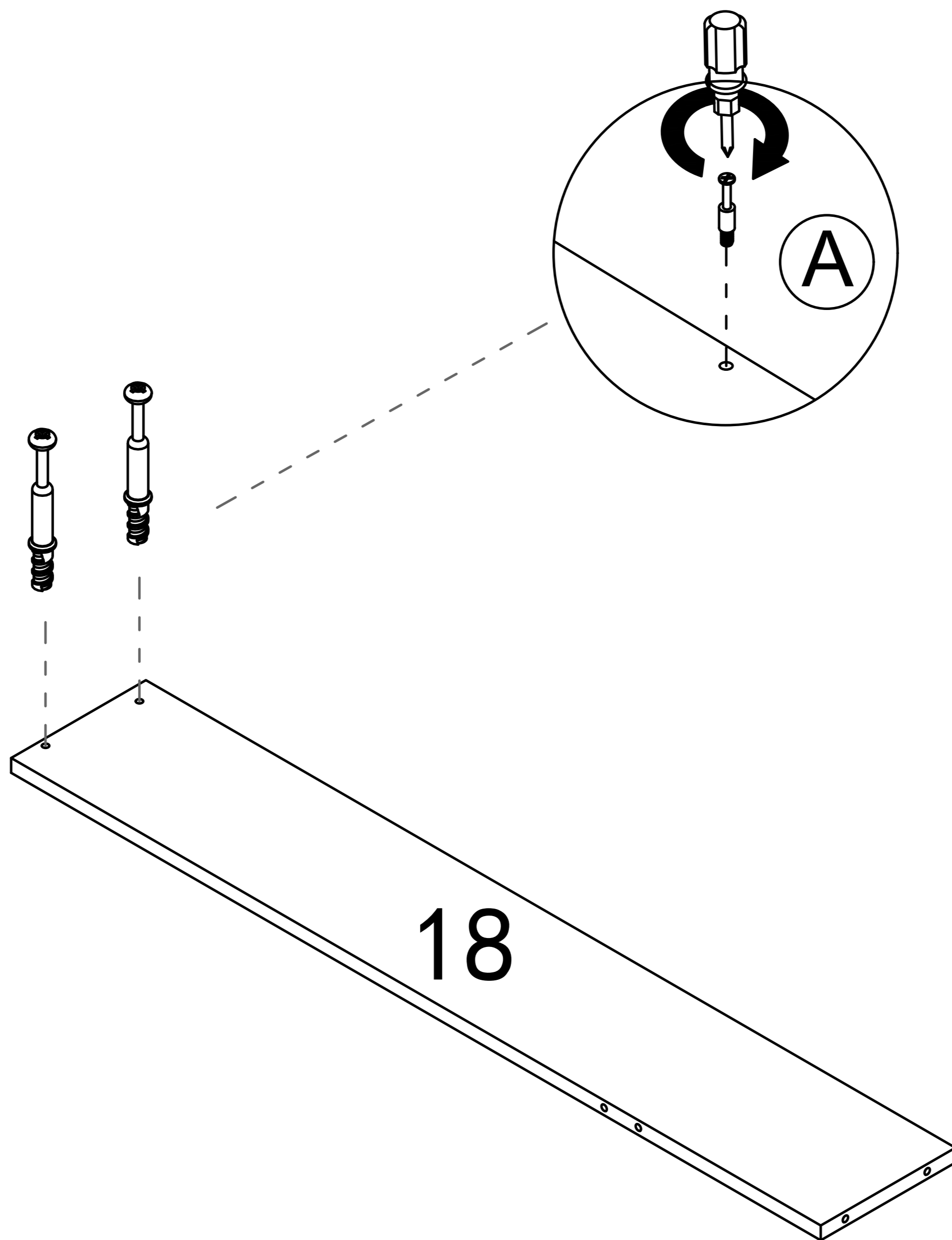
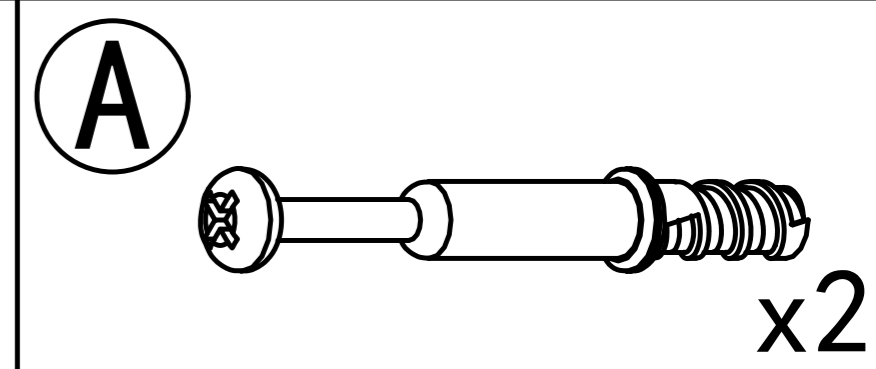


Attention: The top of the corner code needs to be parallel to the top surface of the secondary cabinet

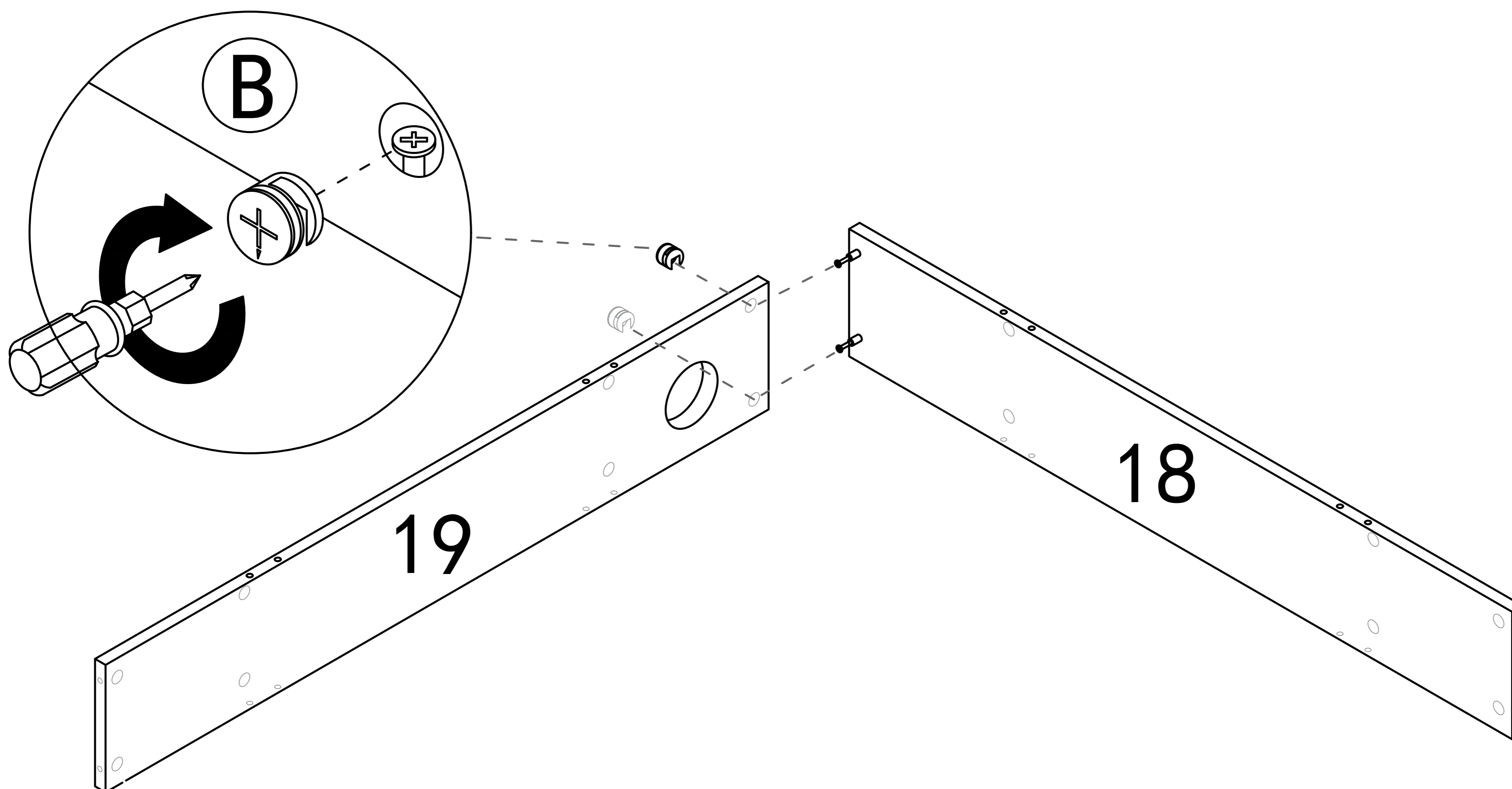
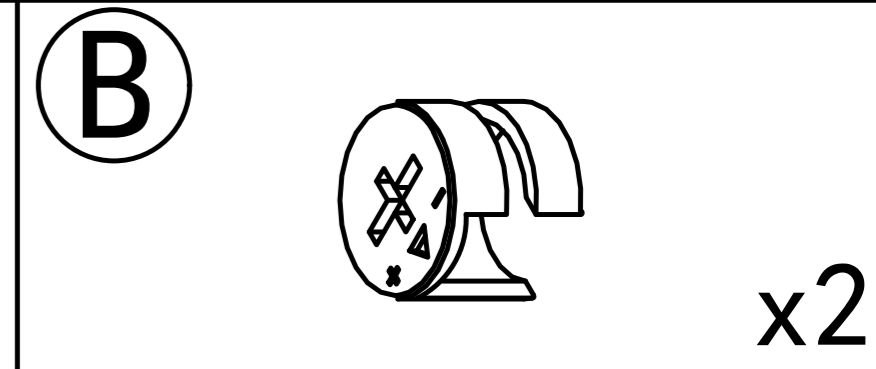
A		26pcs	B		26pcs	D	 	4pcs 8pcs
F		24pcs	H		16pcs			



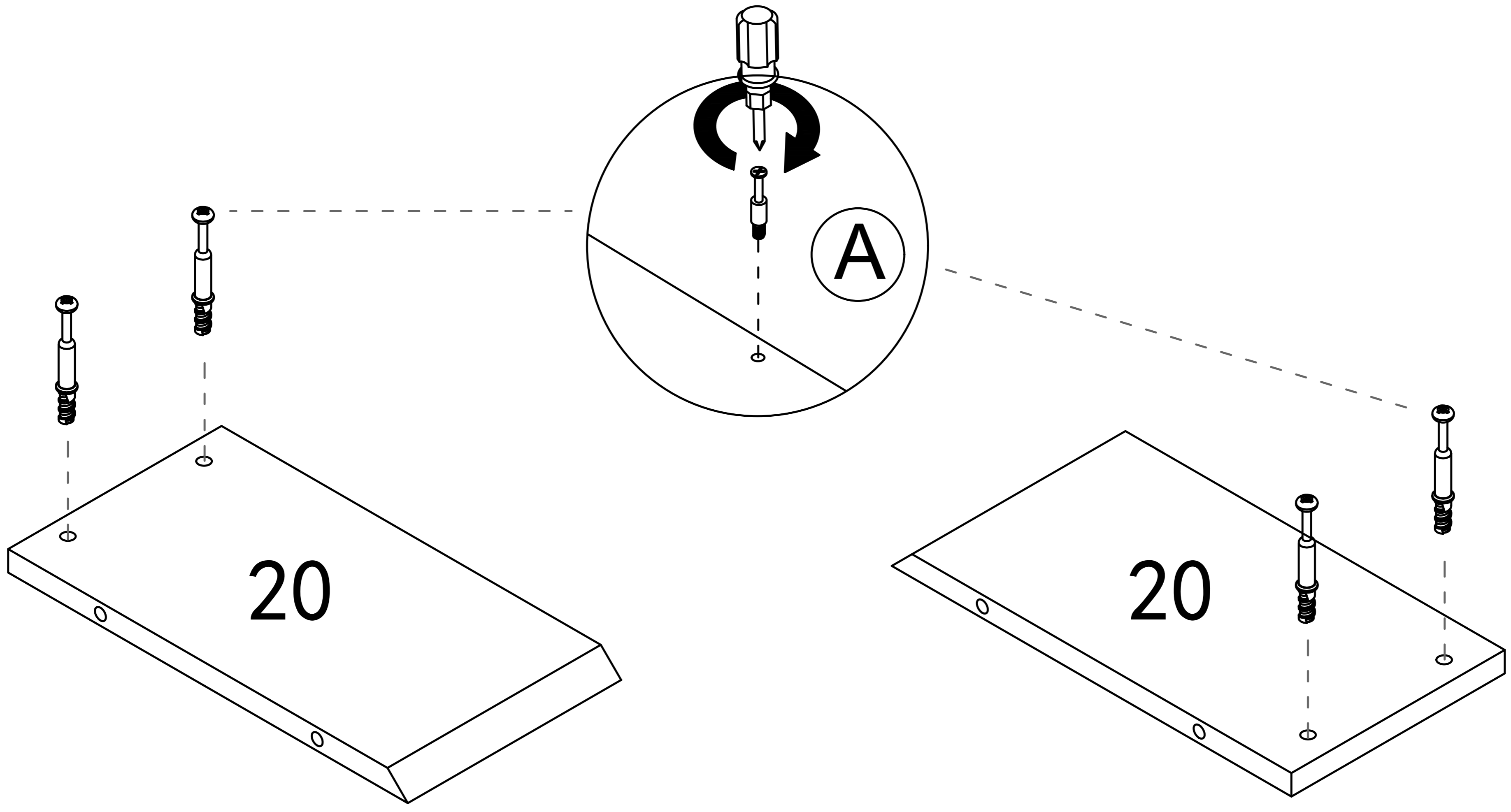
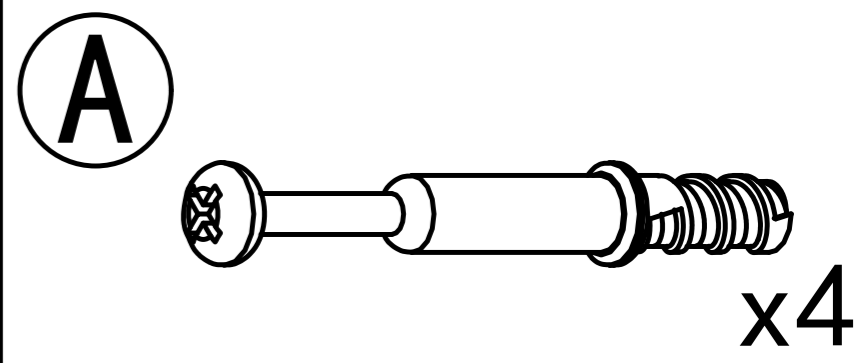
Step 31



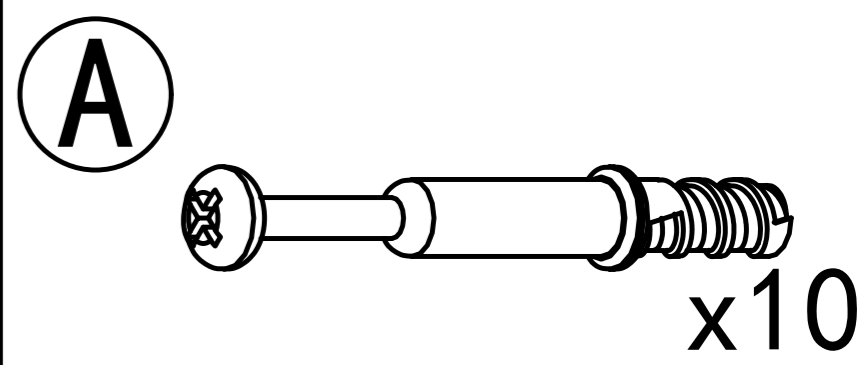
Step 32



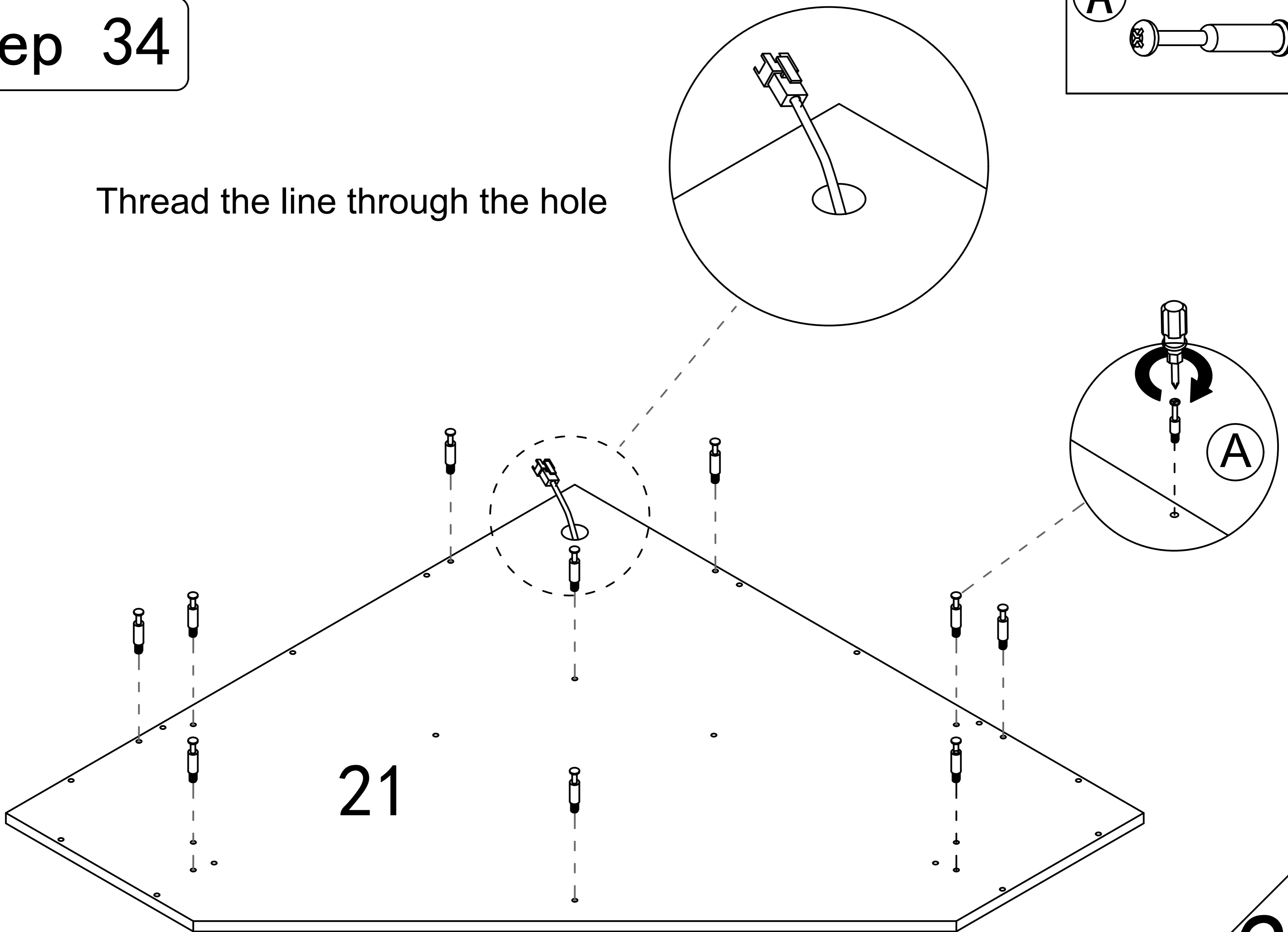
Step 33



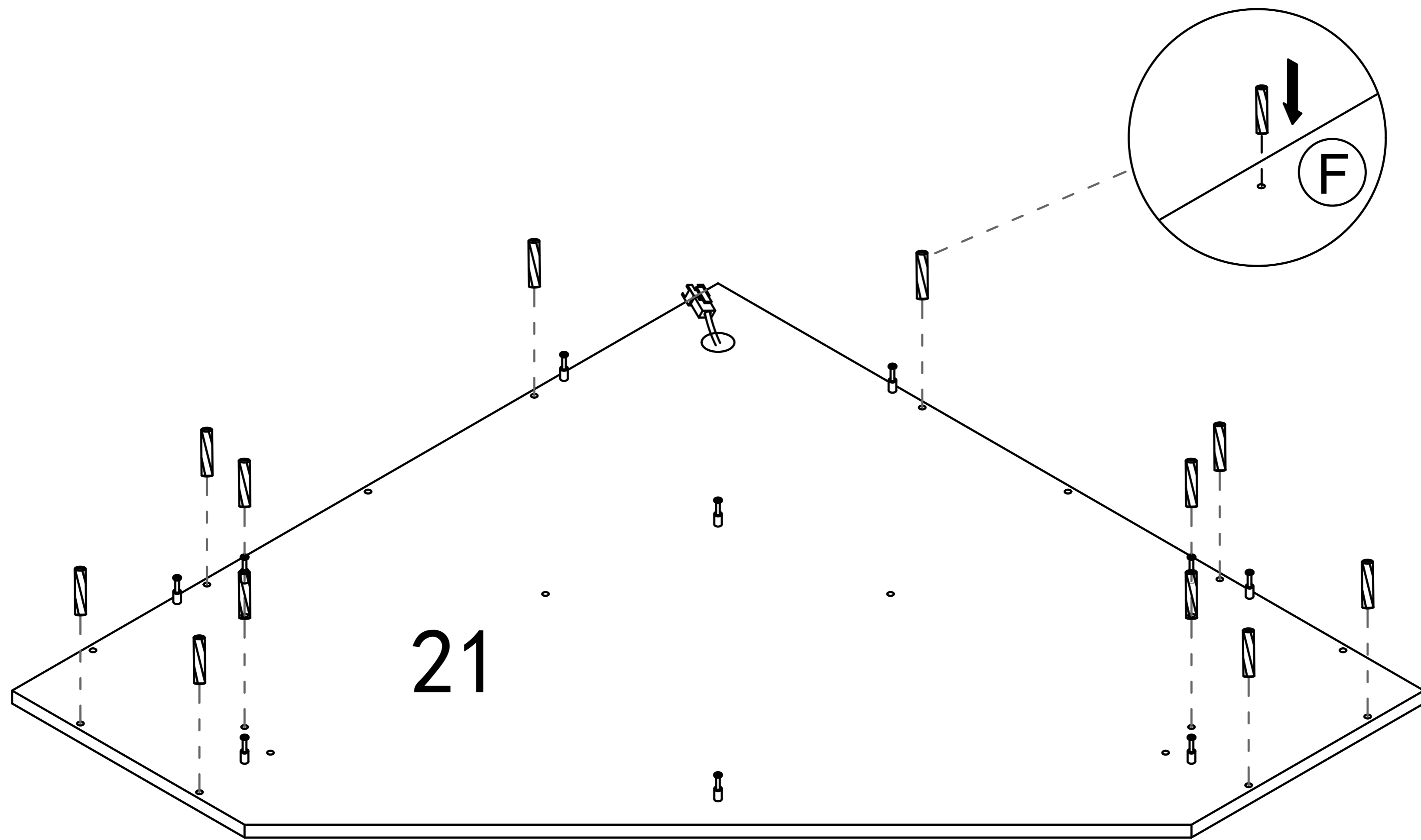
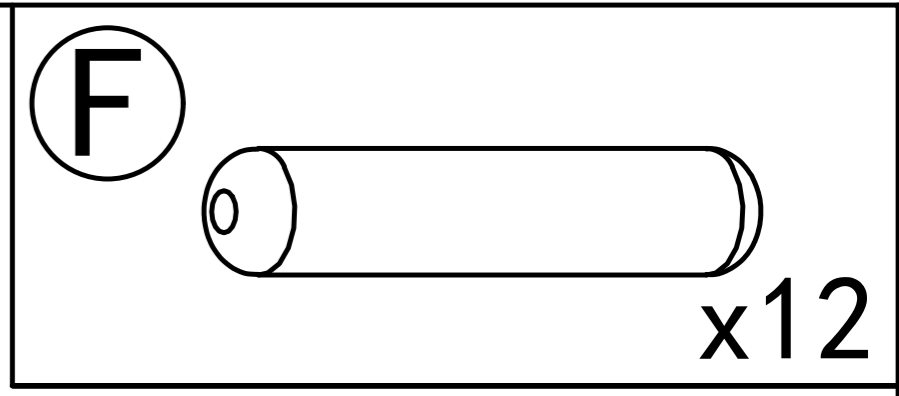
Step 34



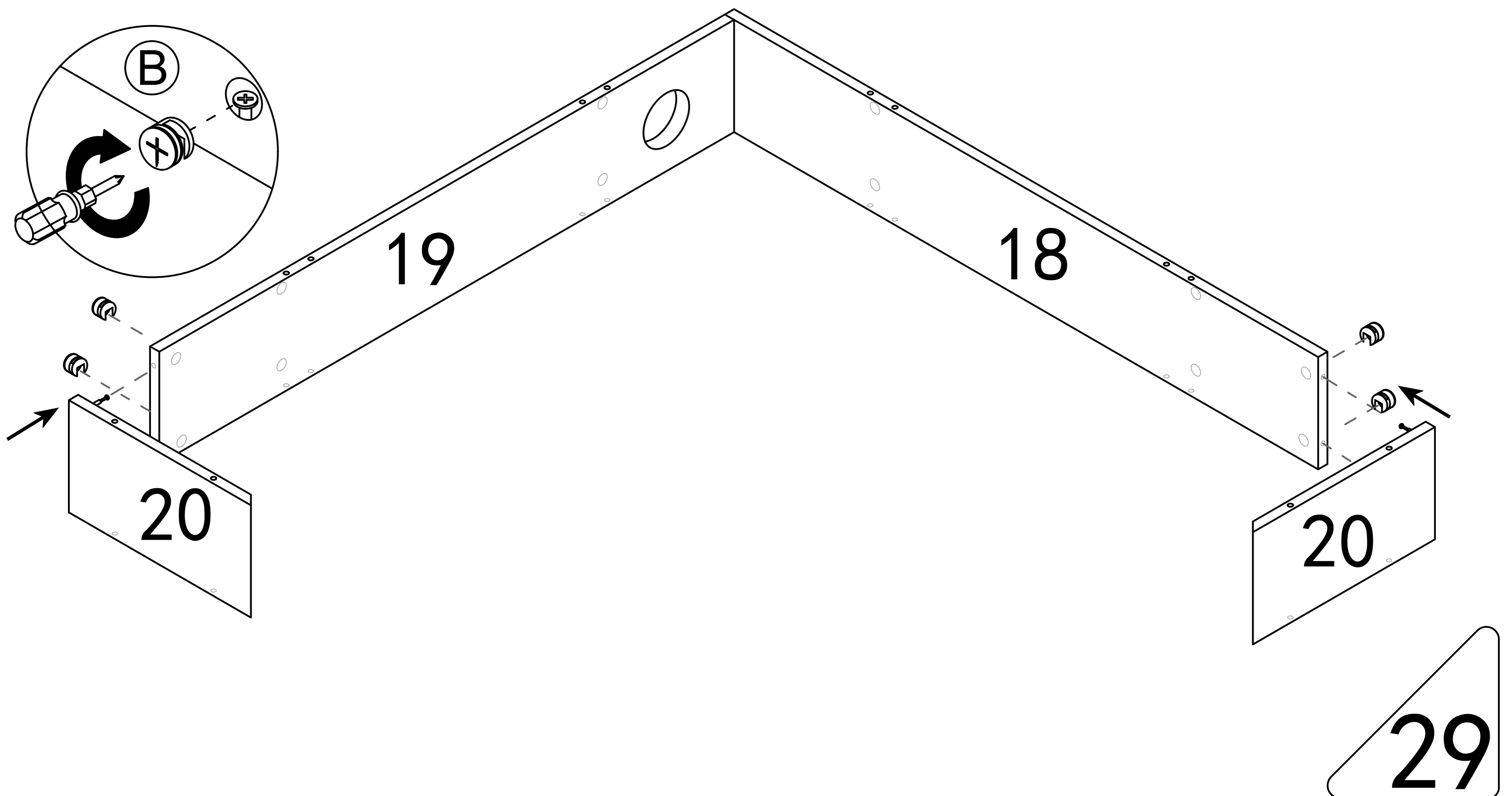
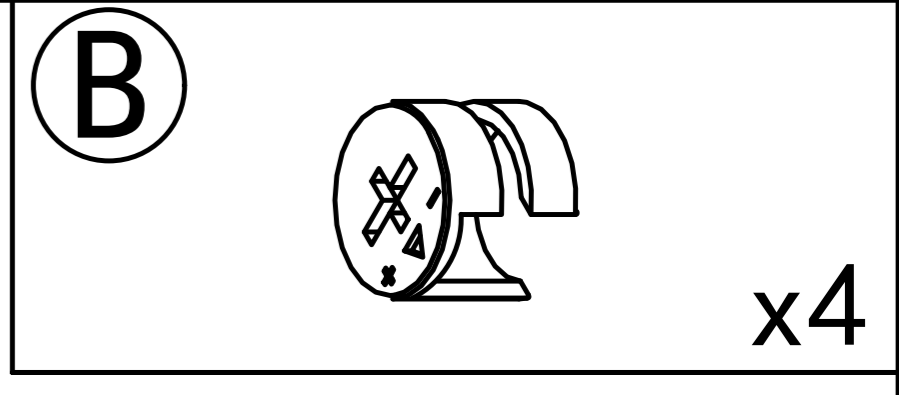
Thread the line through the hole



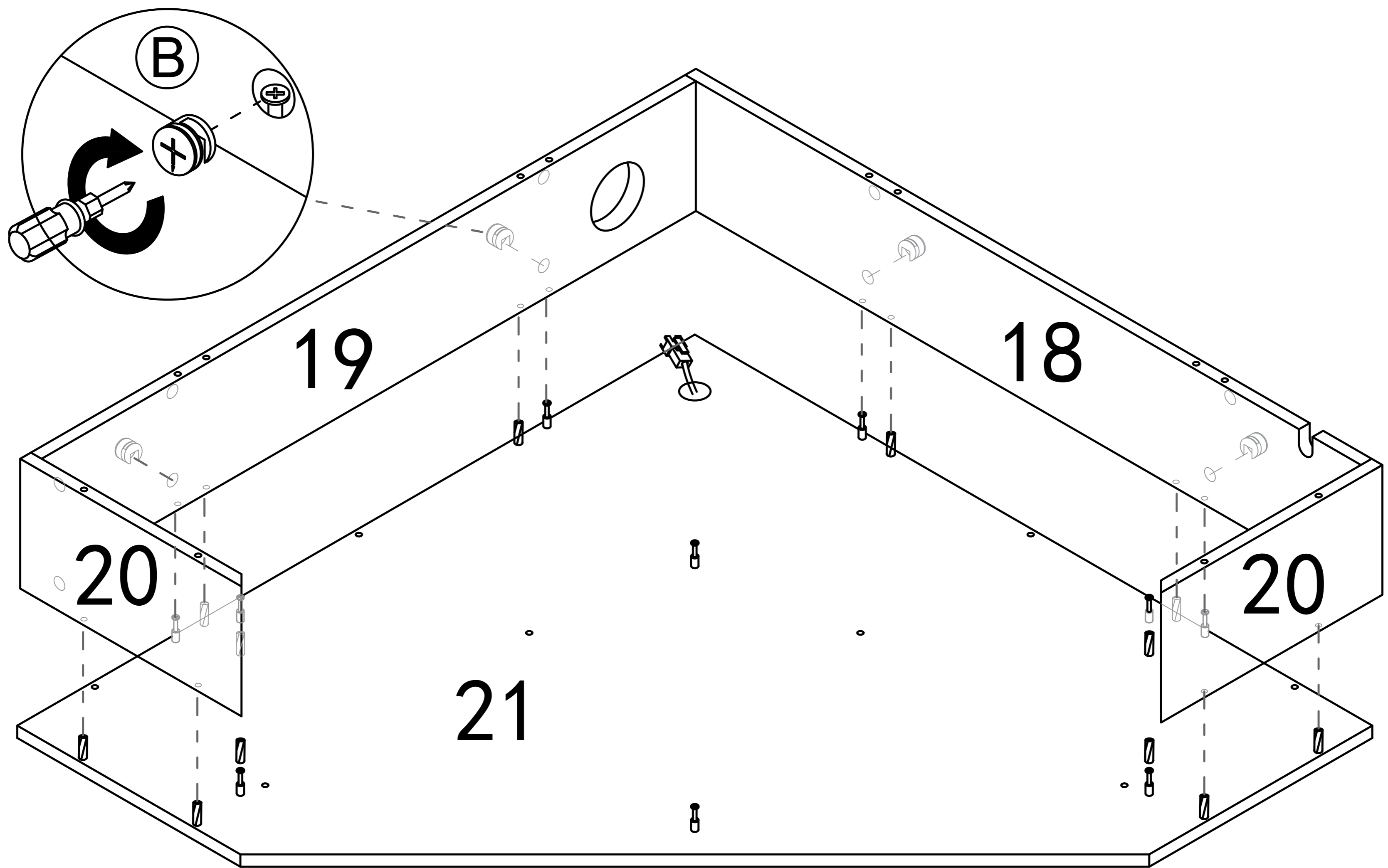
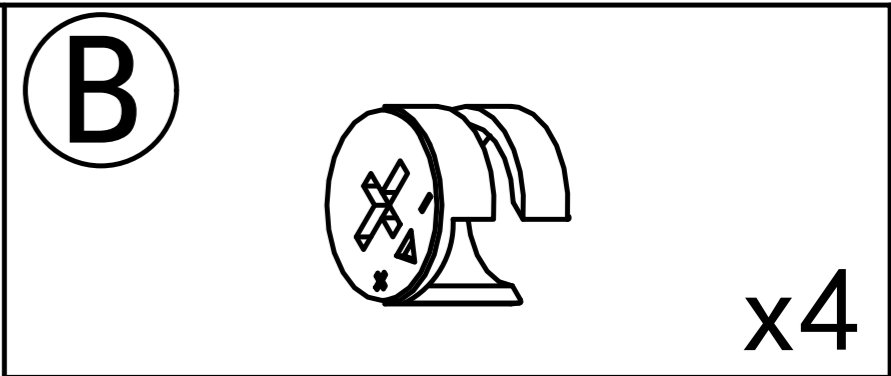
Step 35



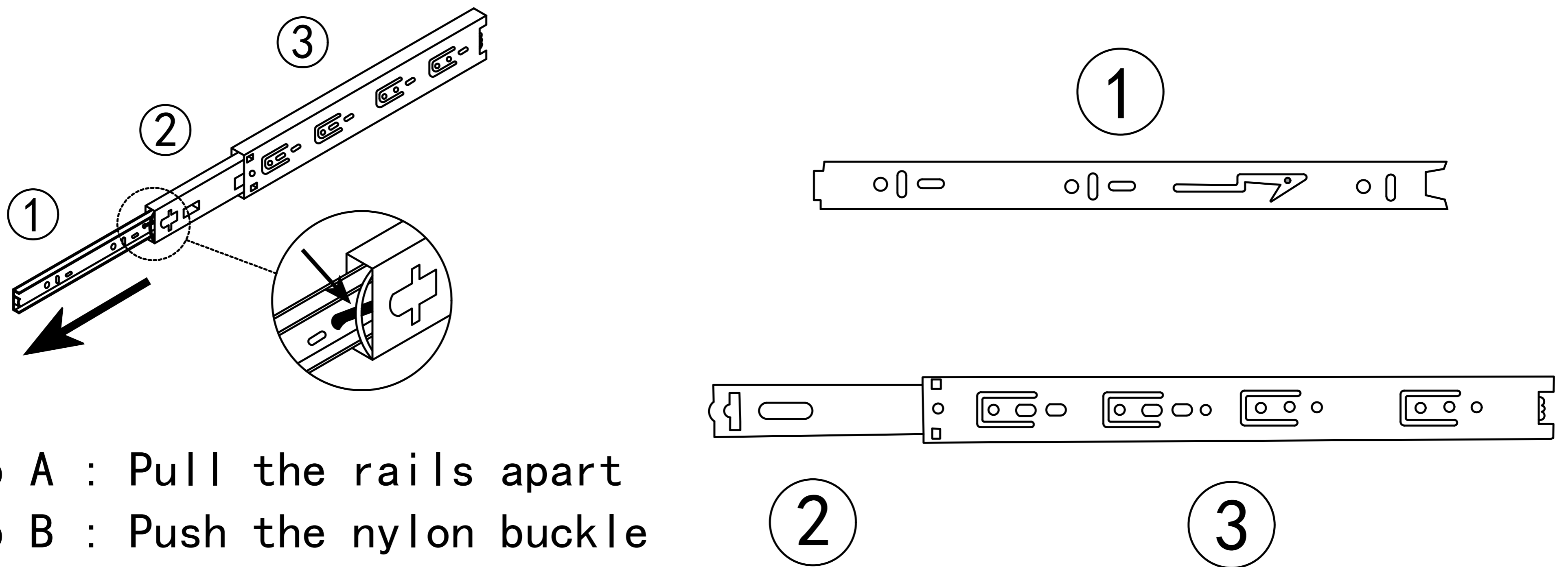
Step 36



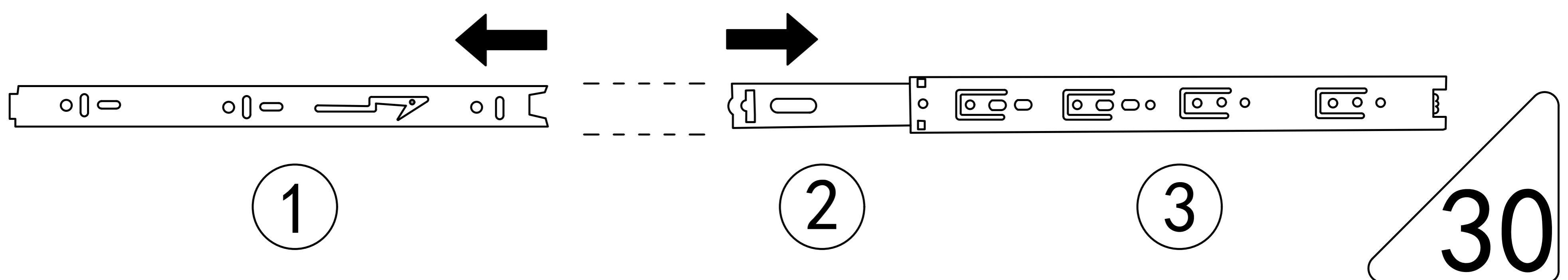
Step 37



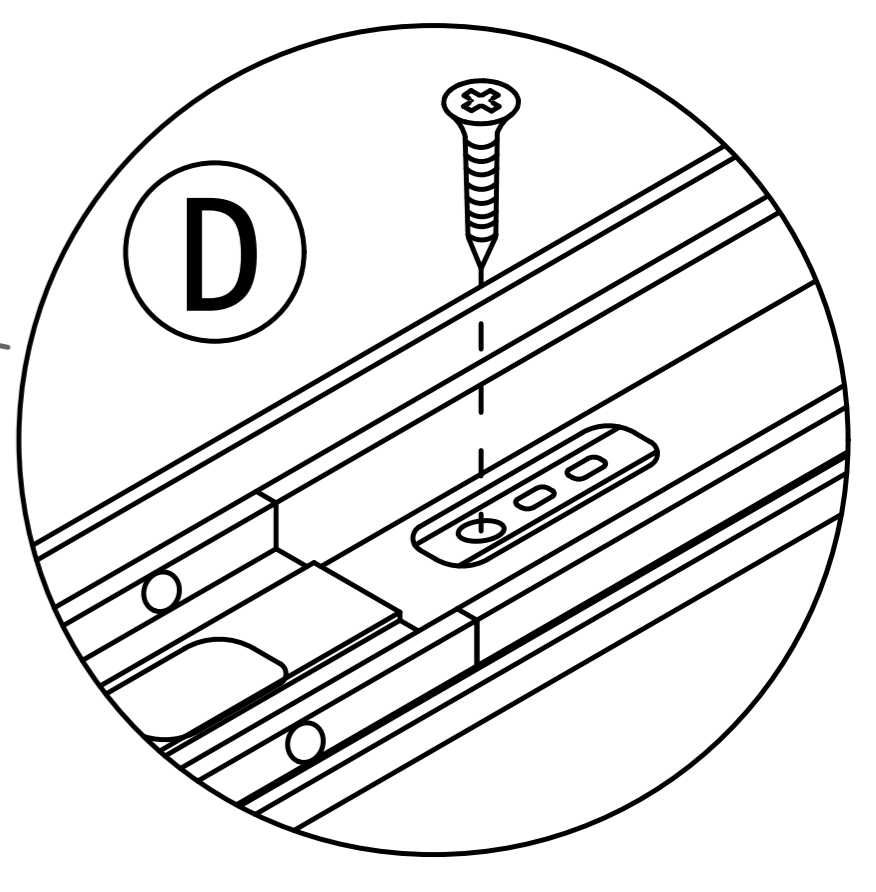
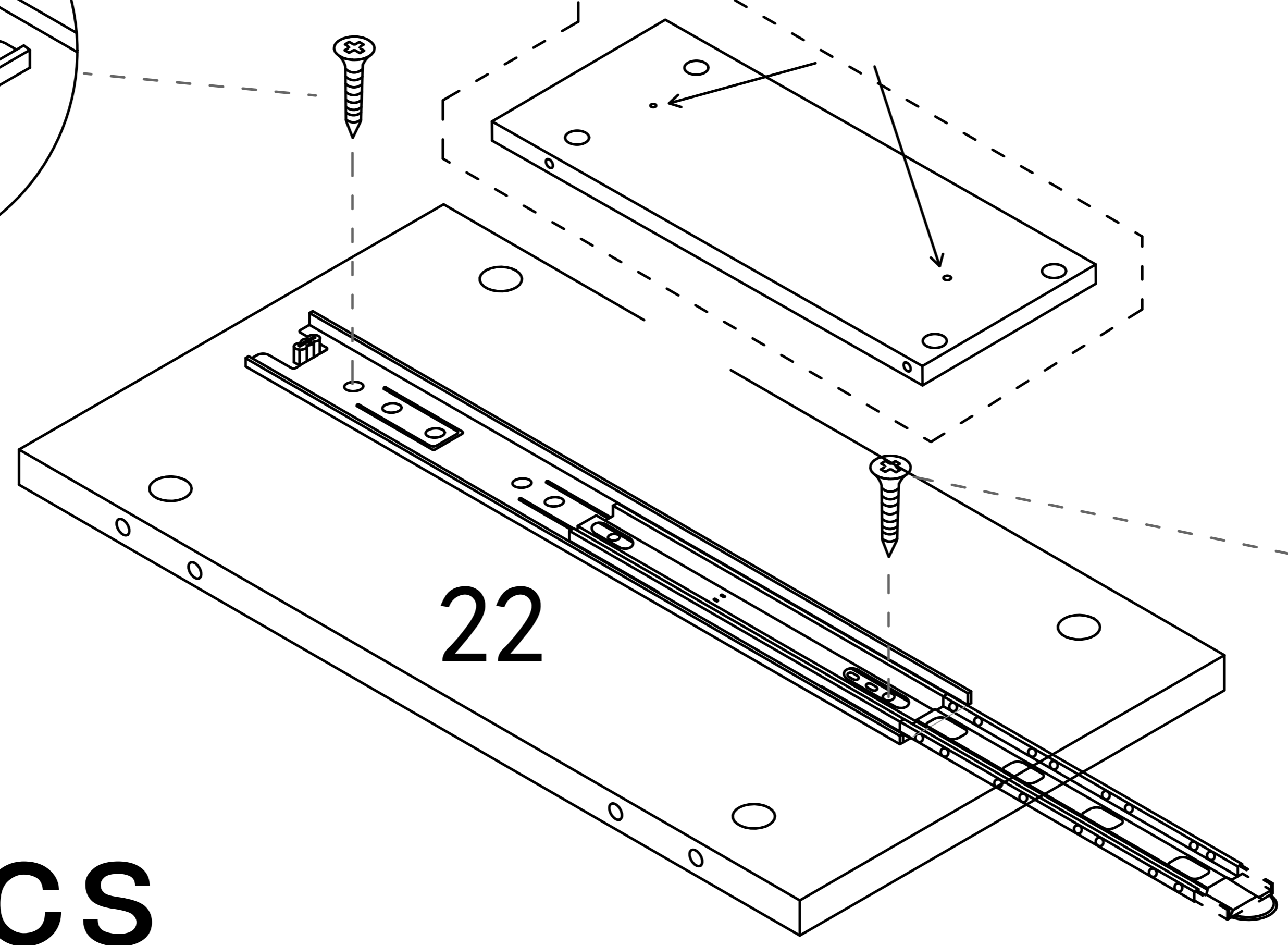
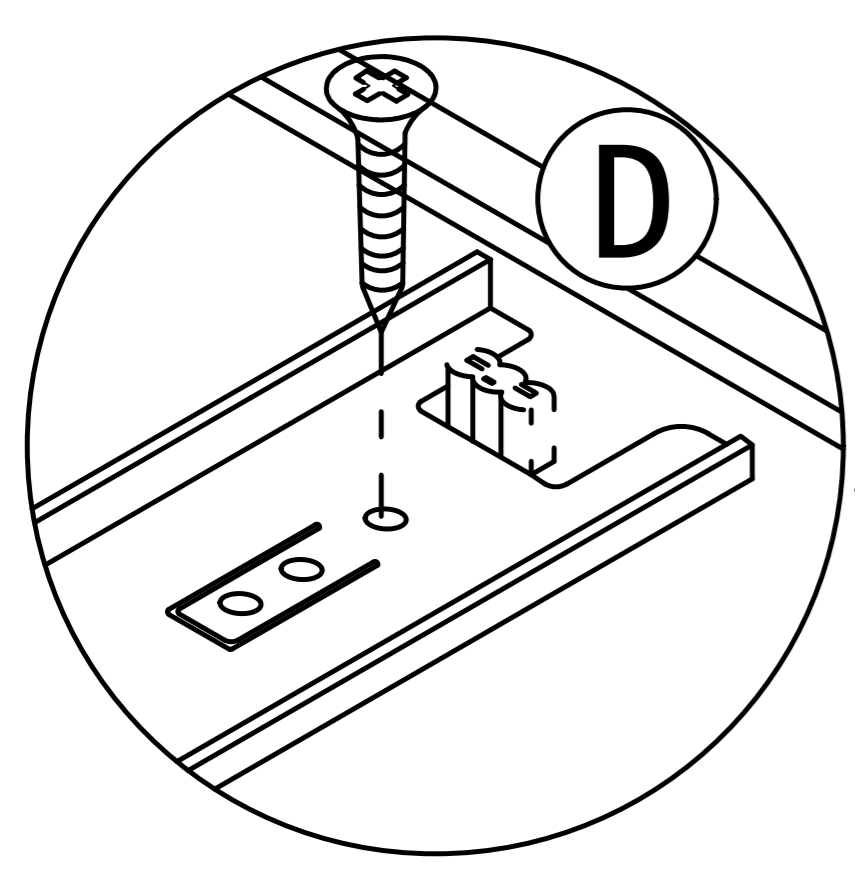
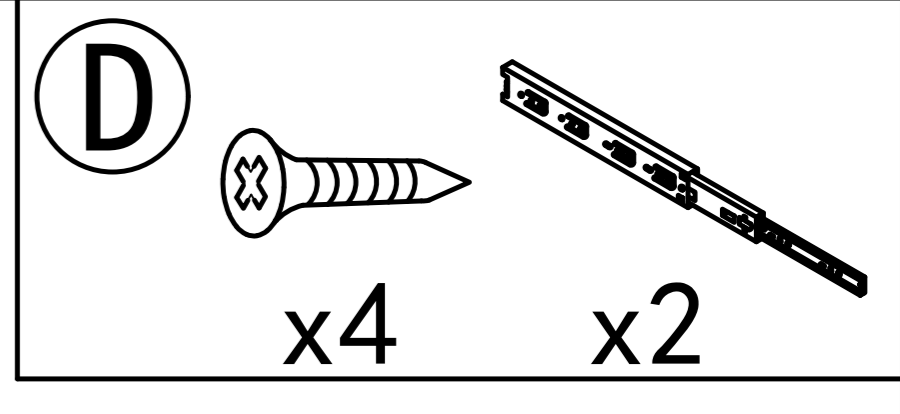
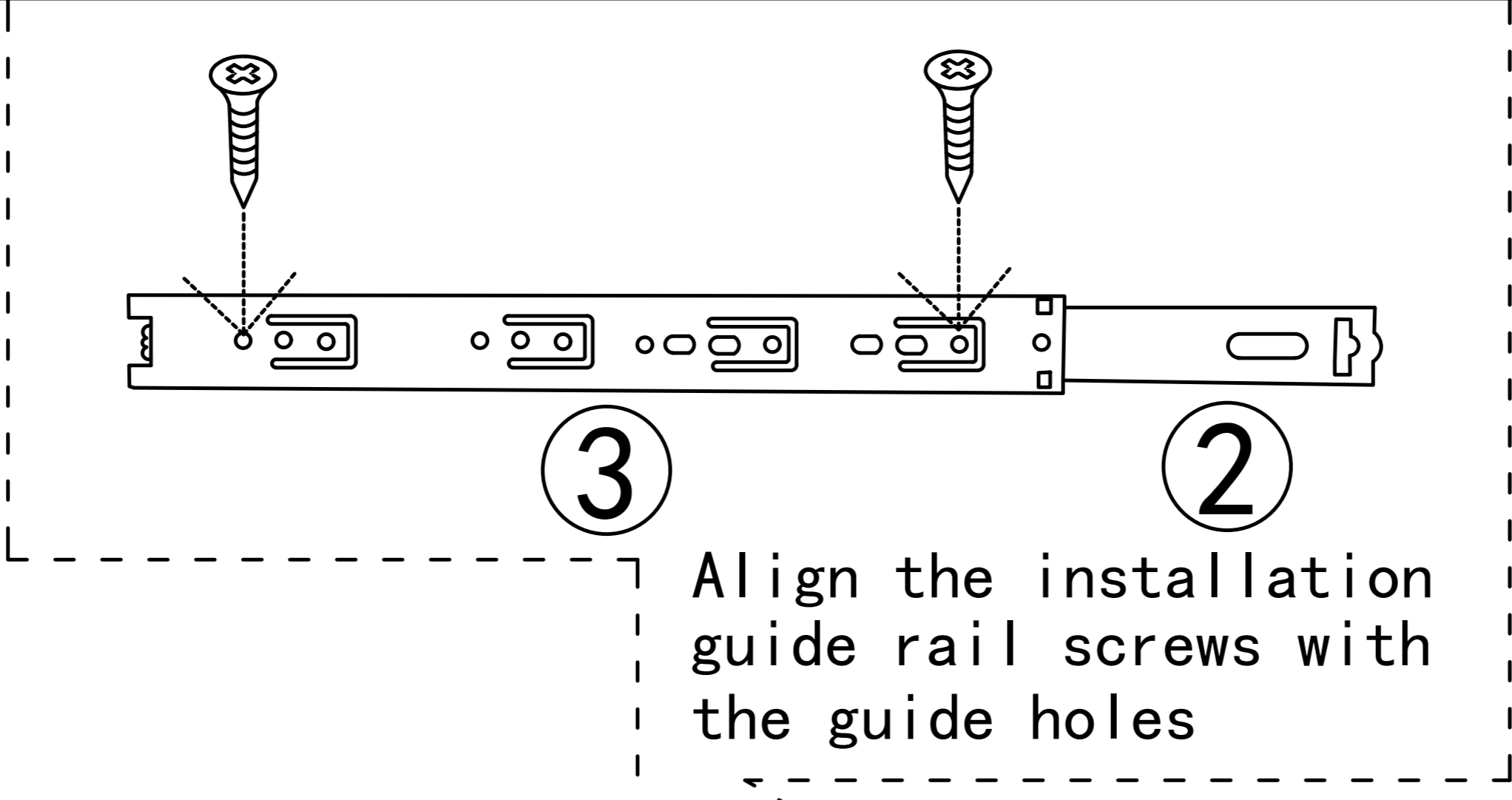
Drawer rail breakdown diagram



Step A : Pull the rails apart
Step B : Push the nylon buckle outward ①

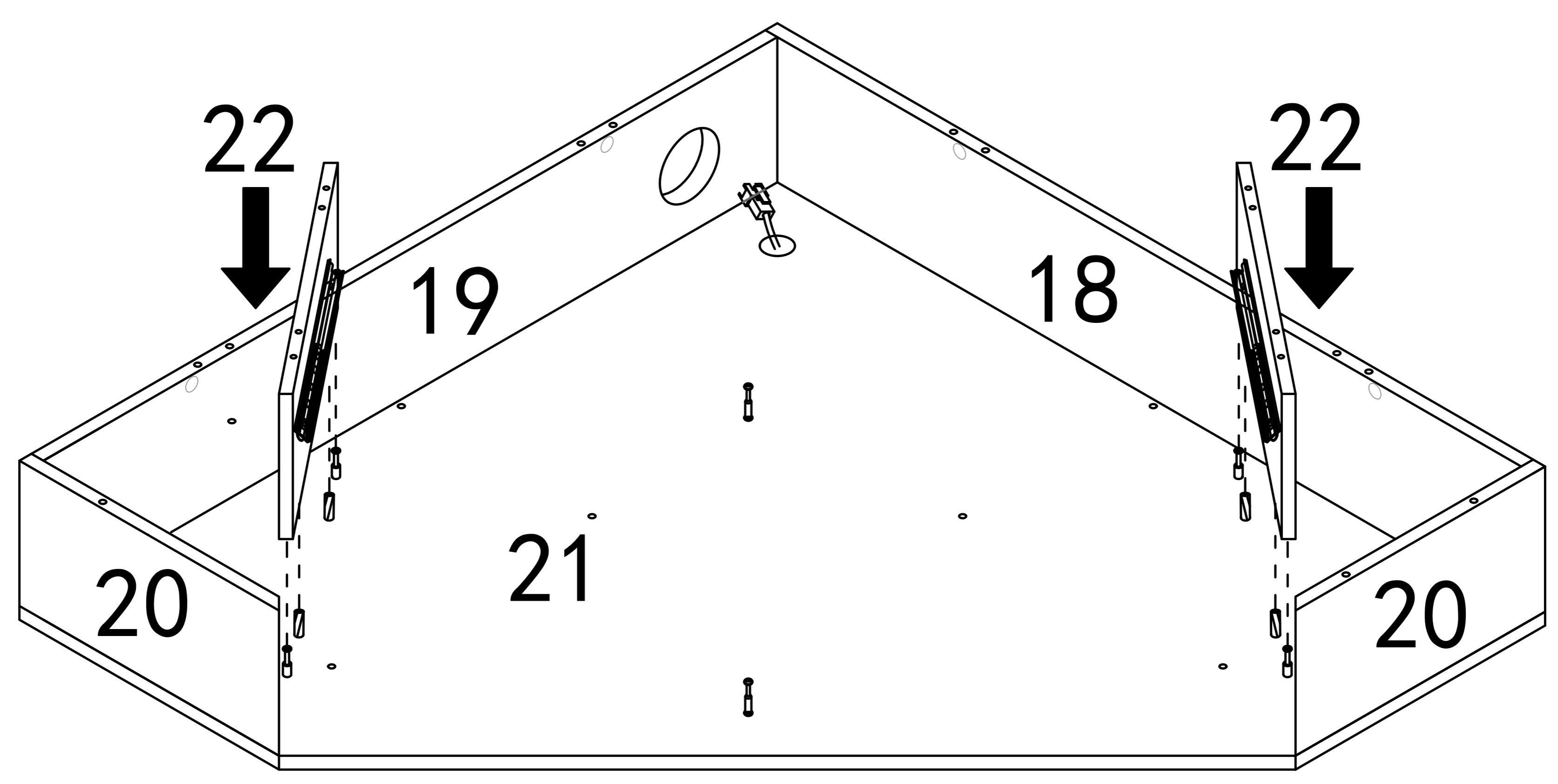


Step 38

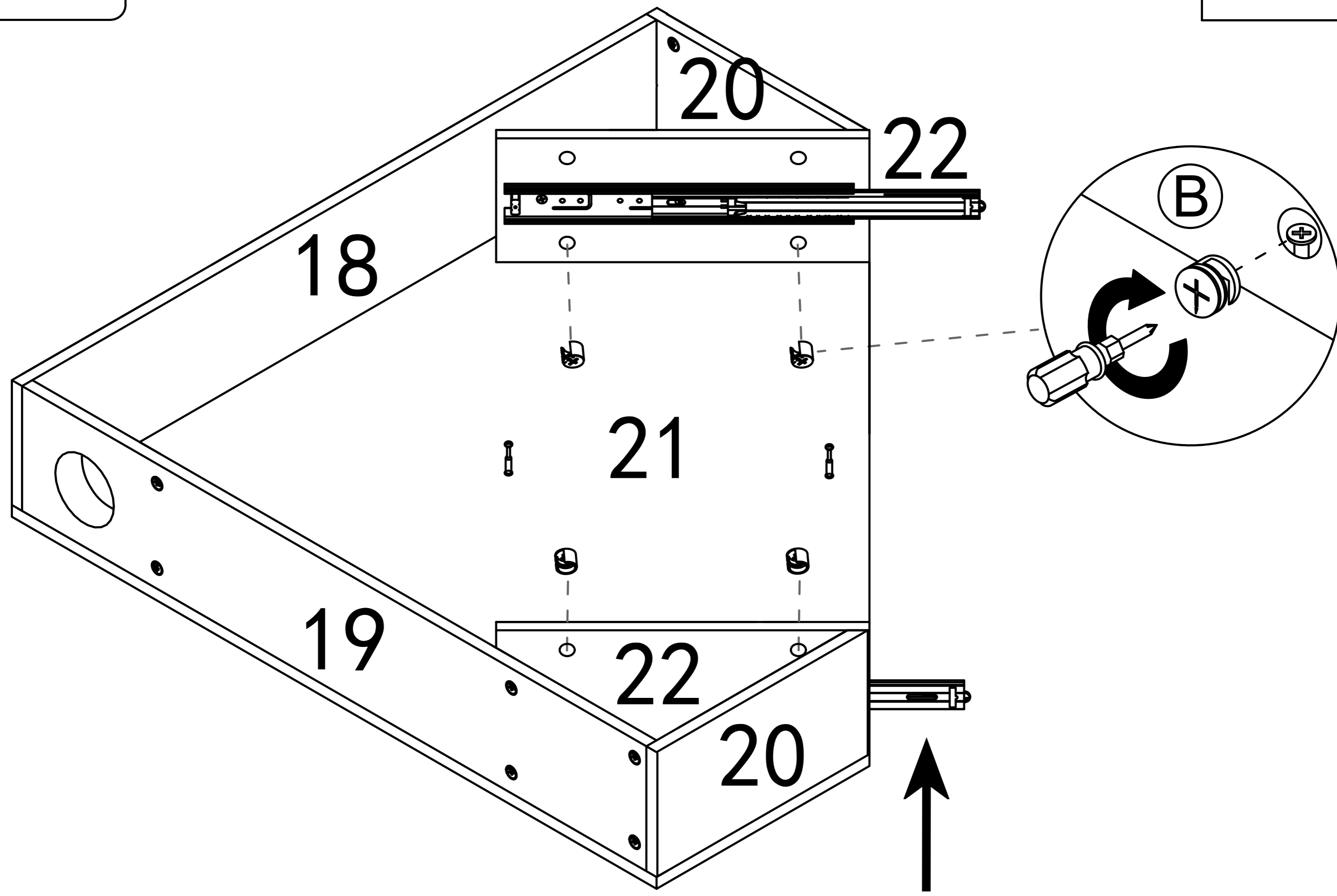
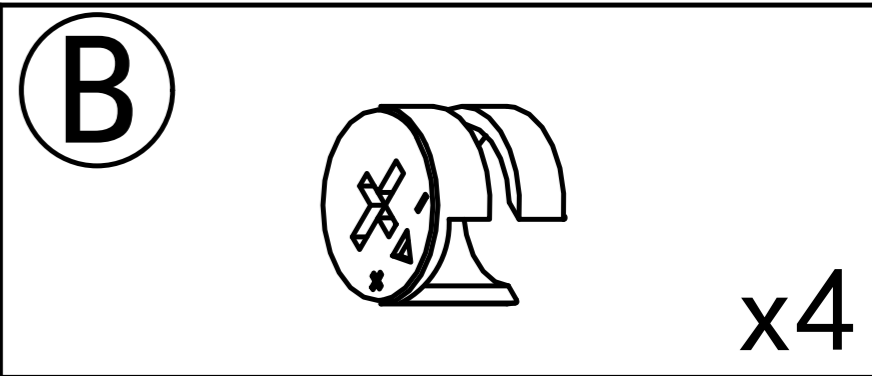


x2 pcs

Step 39



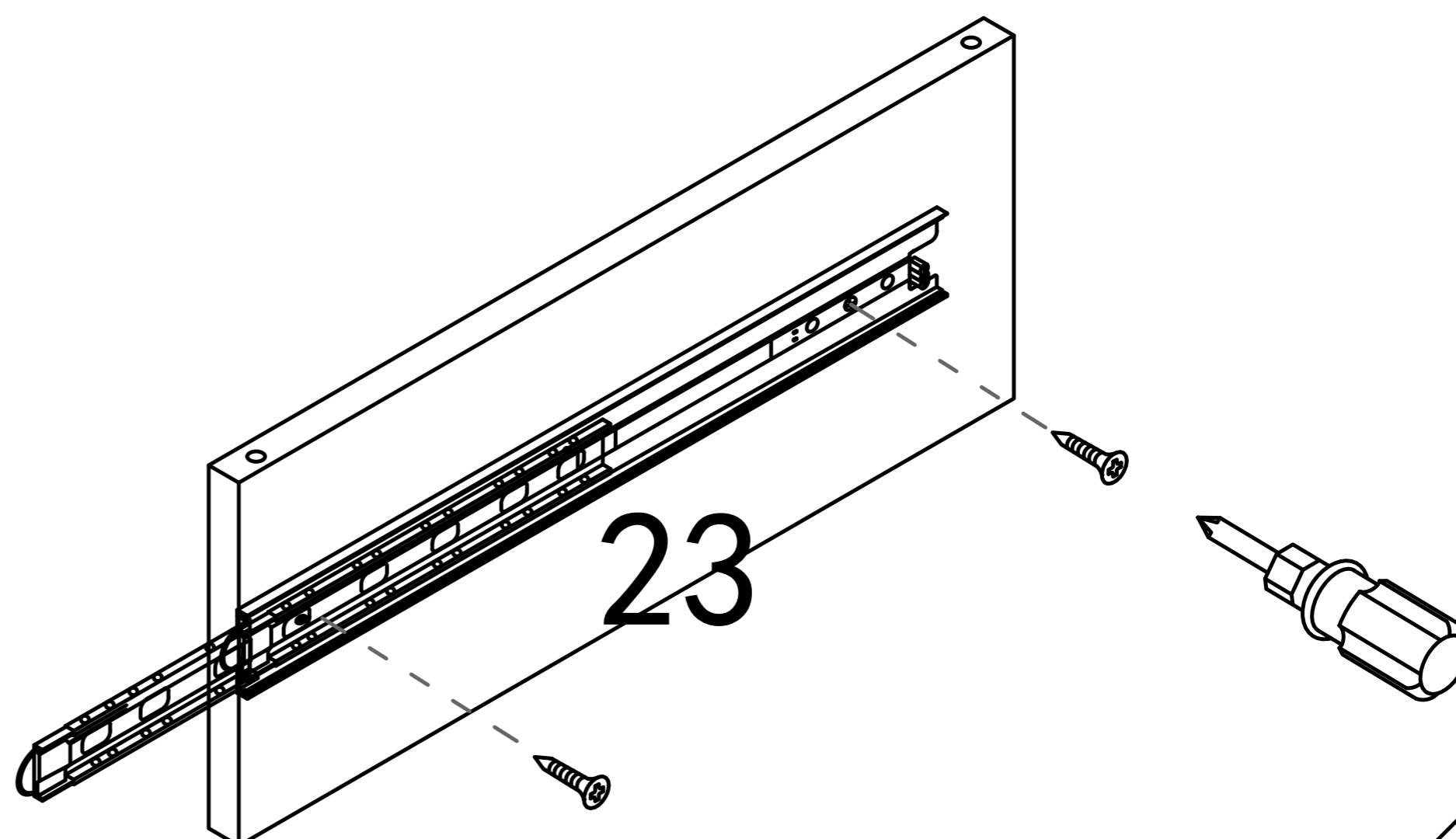
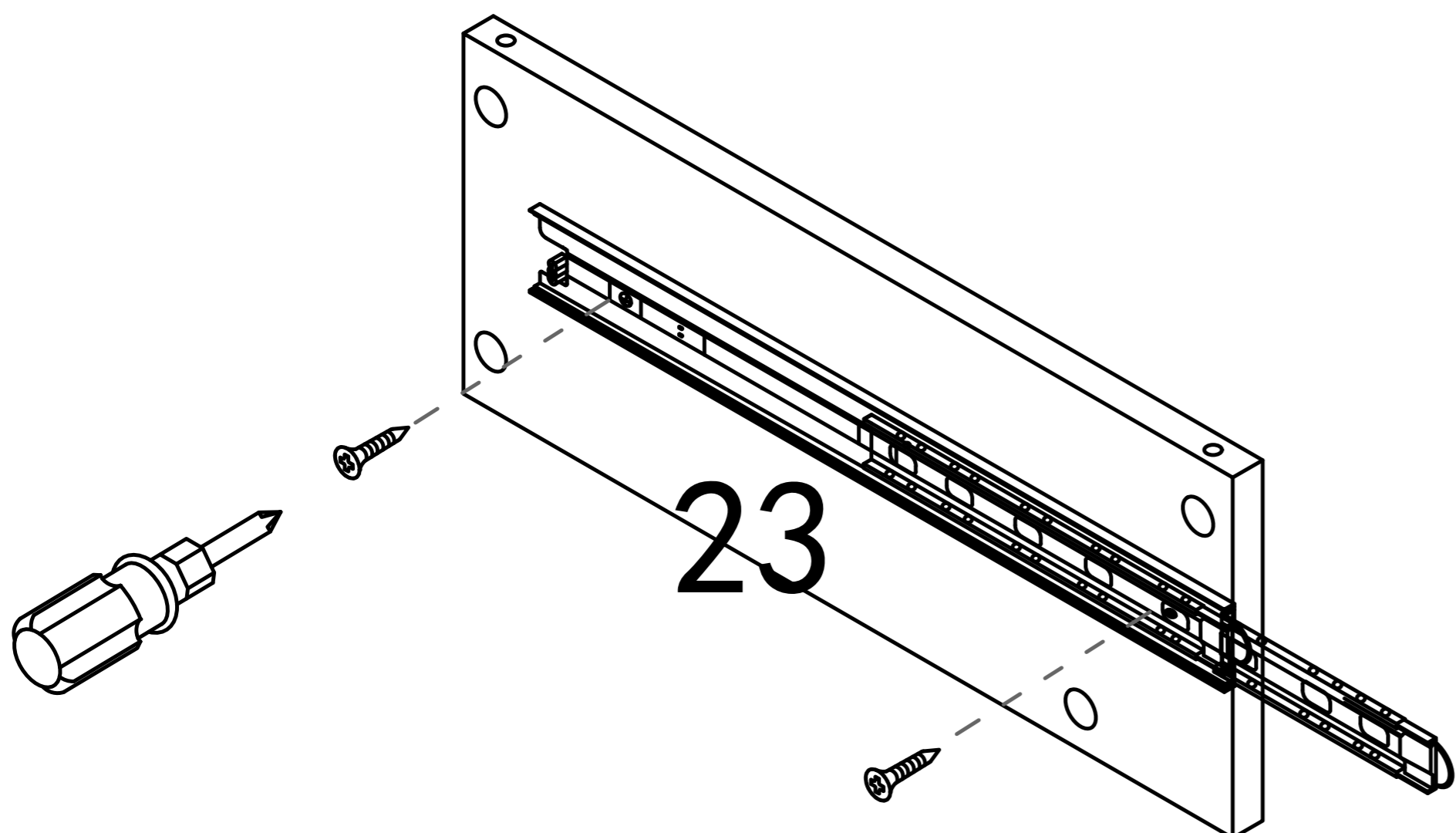
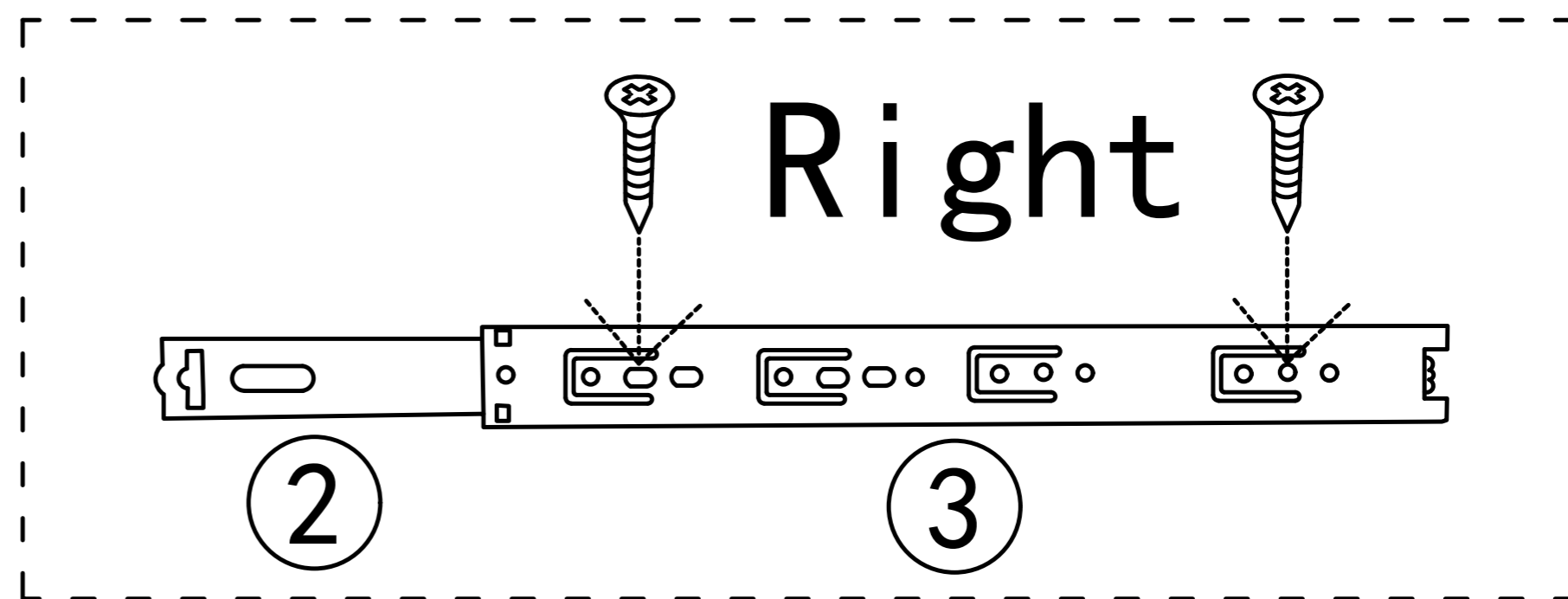
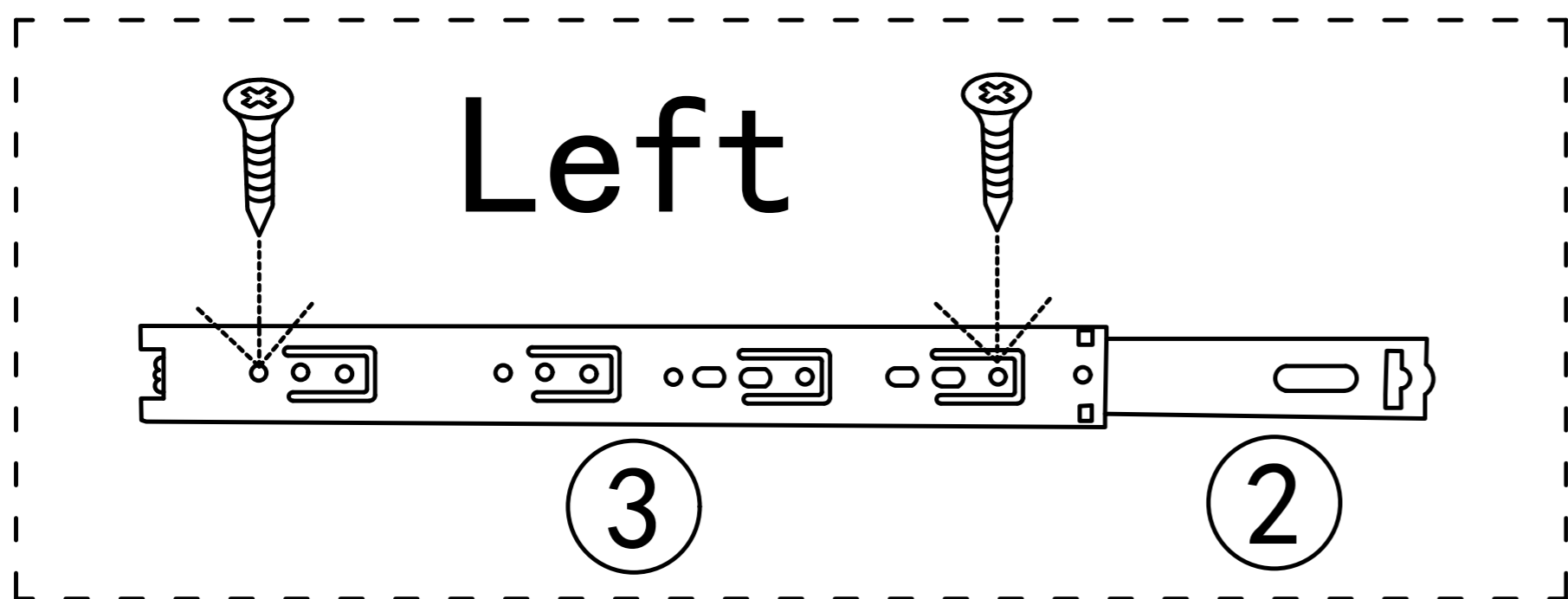
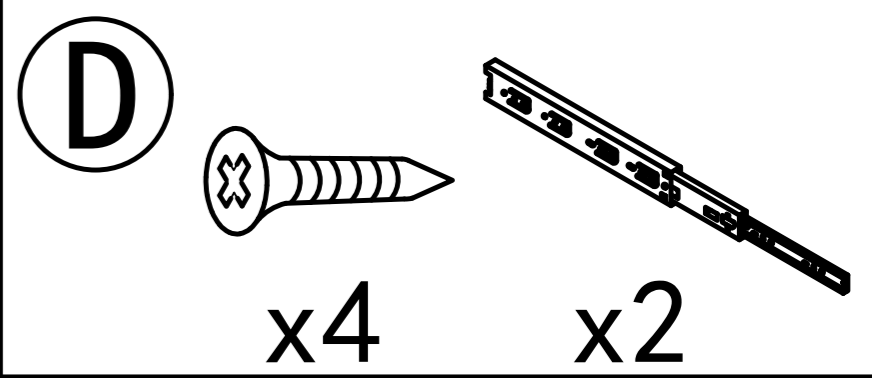
Step 40



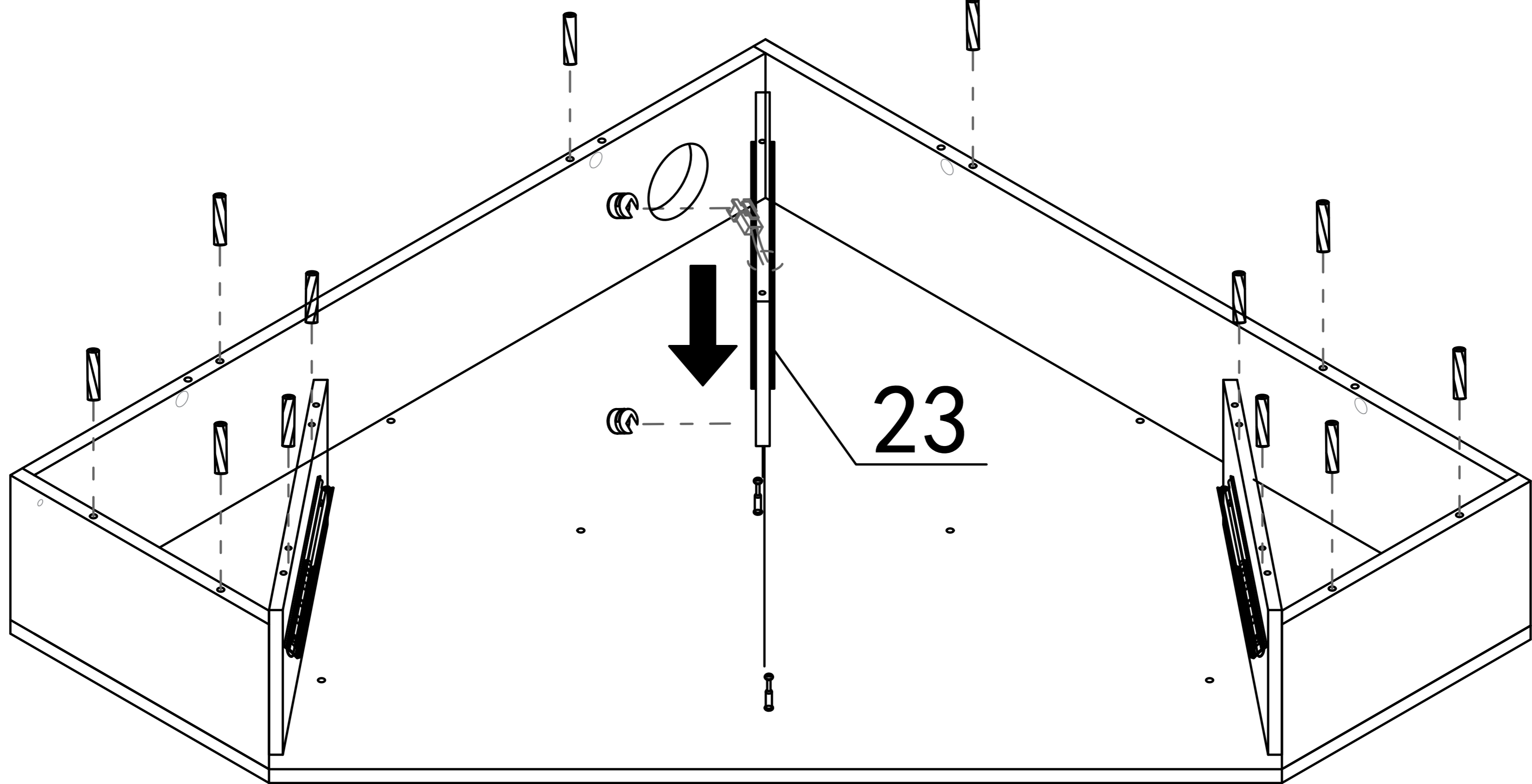
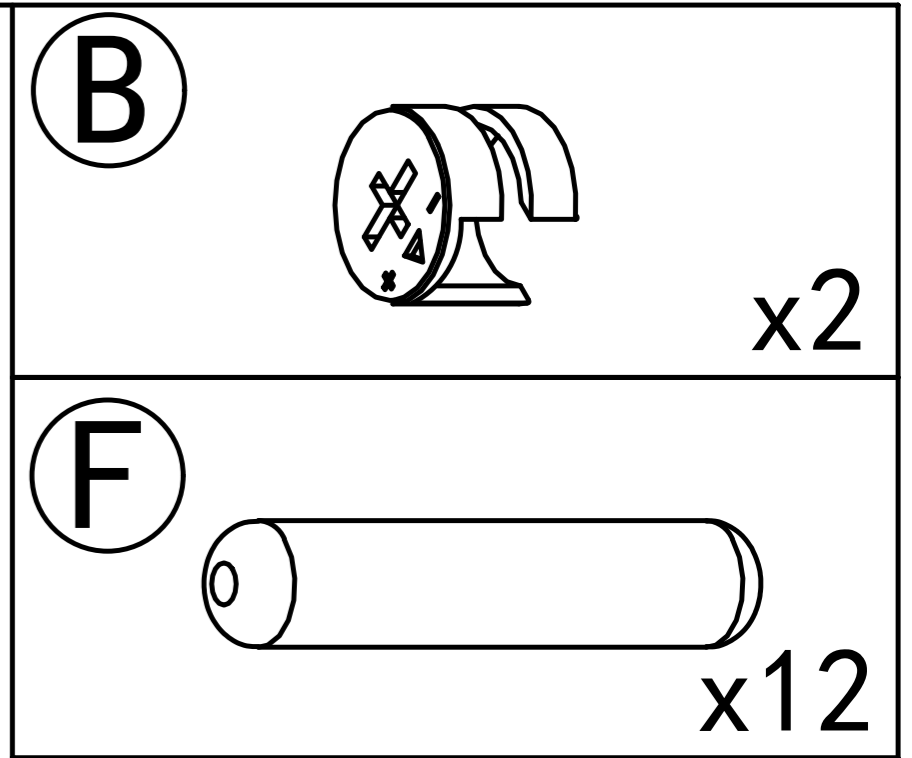
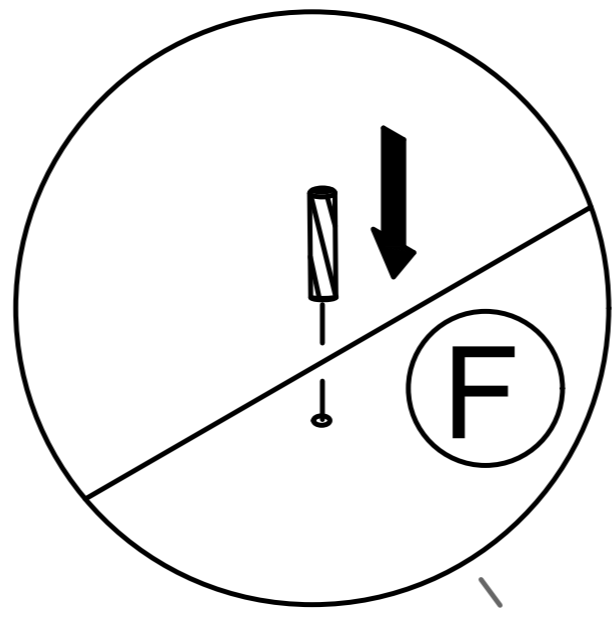
Attention should be paid to the direction in which the guide rail extends

Step 41

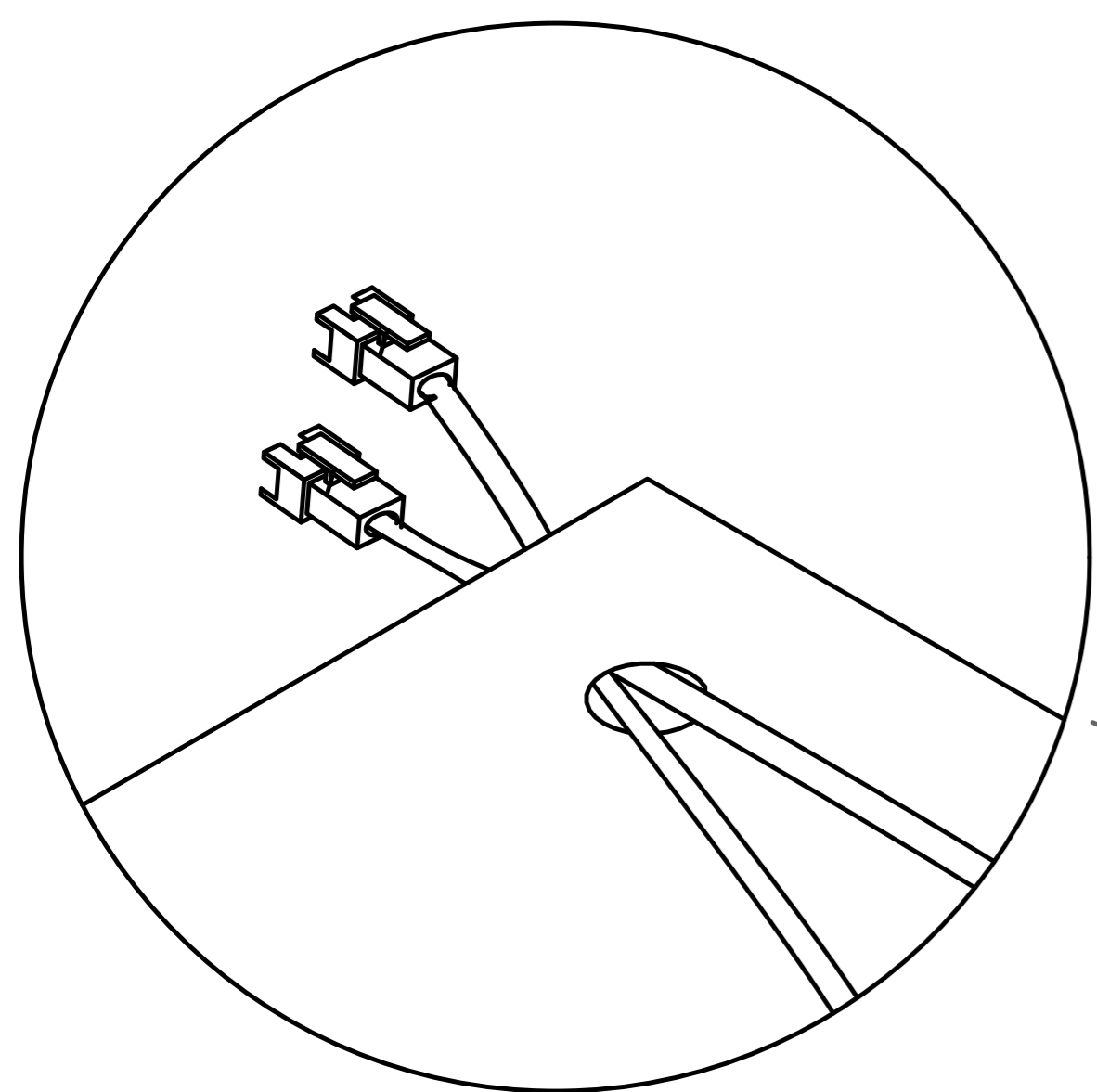
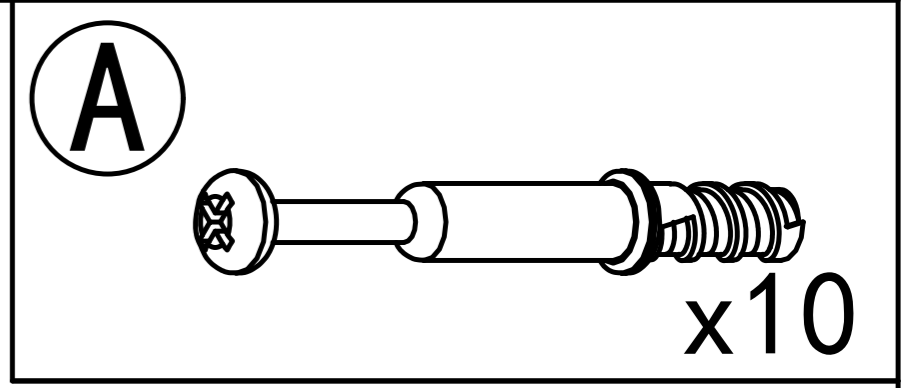
The installation guide rails are aligned on both sides and installed according to the corresponding hole positions



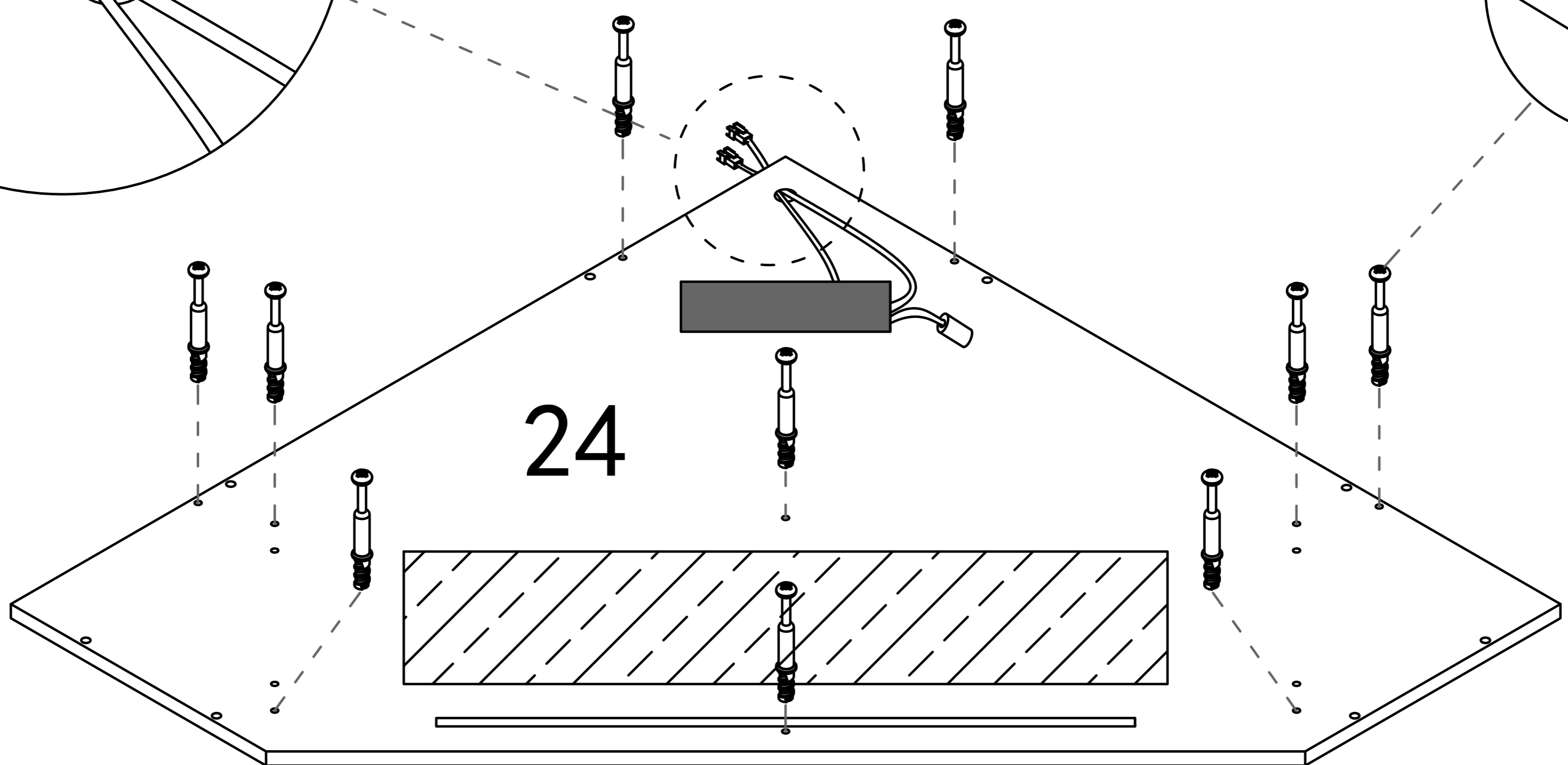
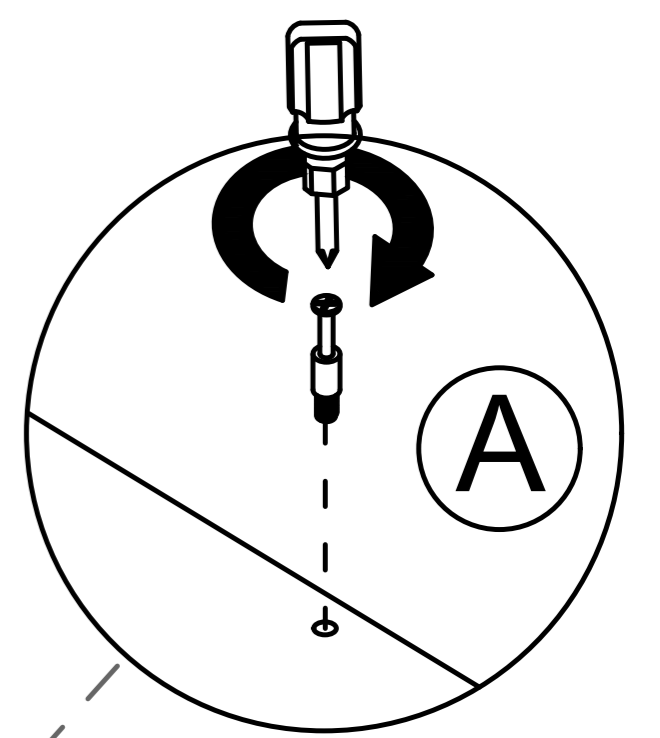
Step 42



Step 43



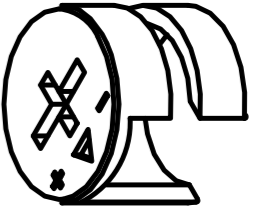
Thread the line through the hole

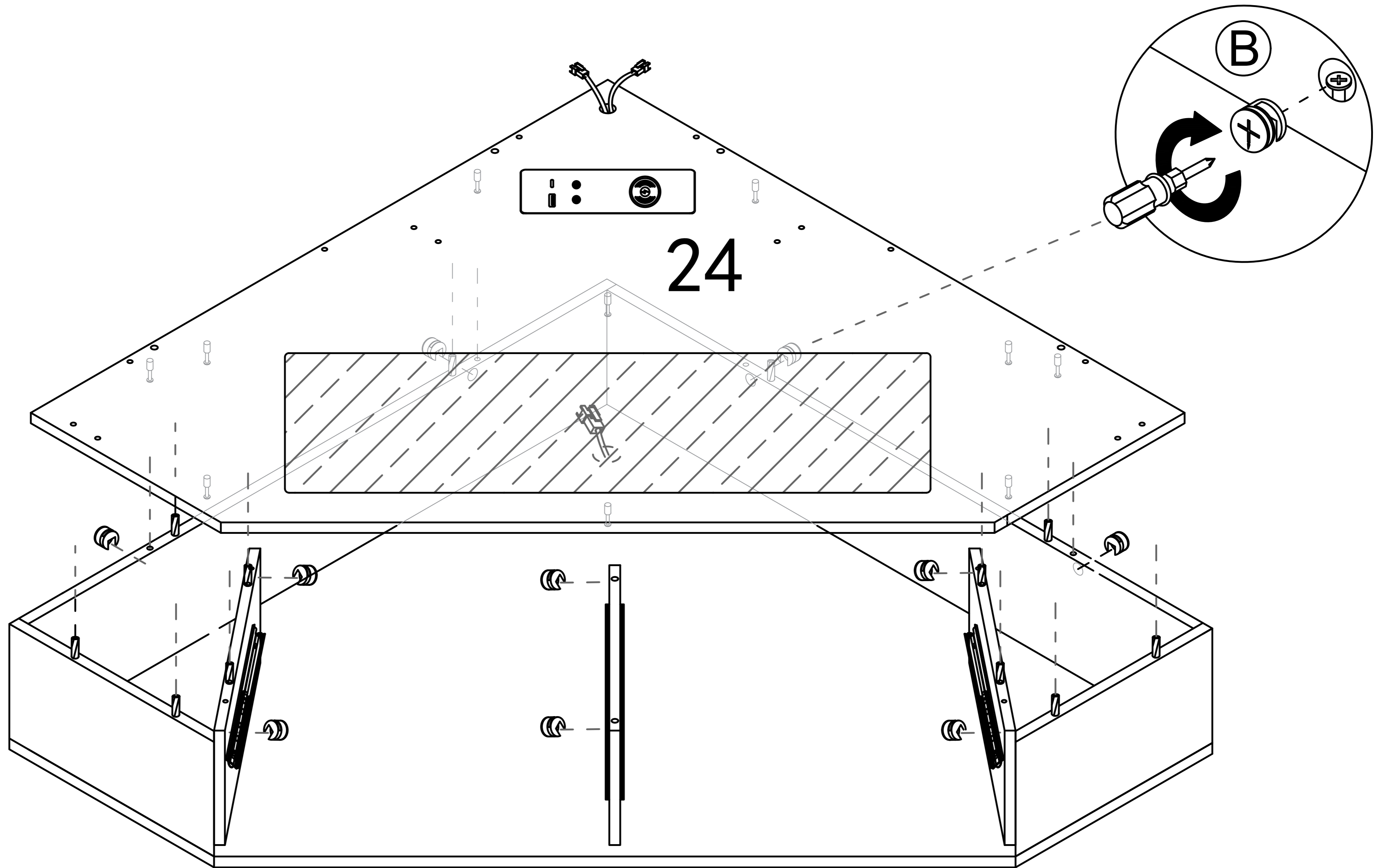


Back of board 24

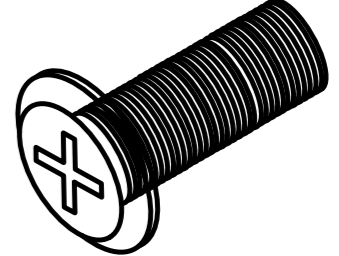


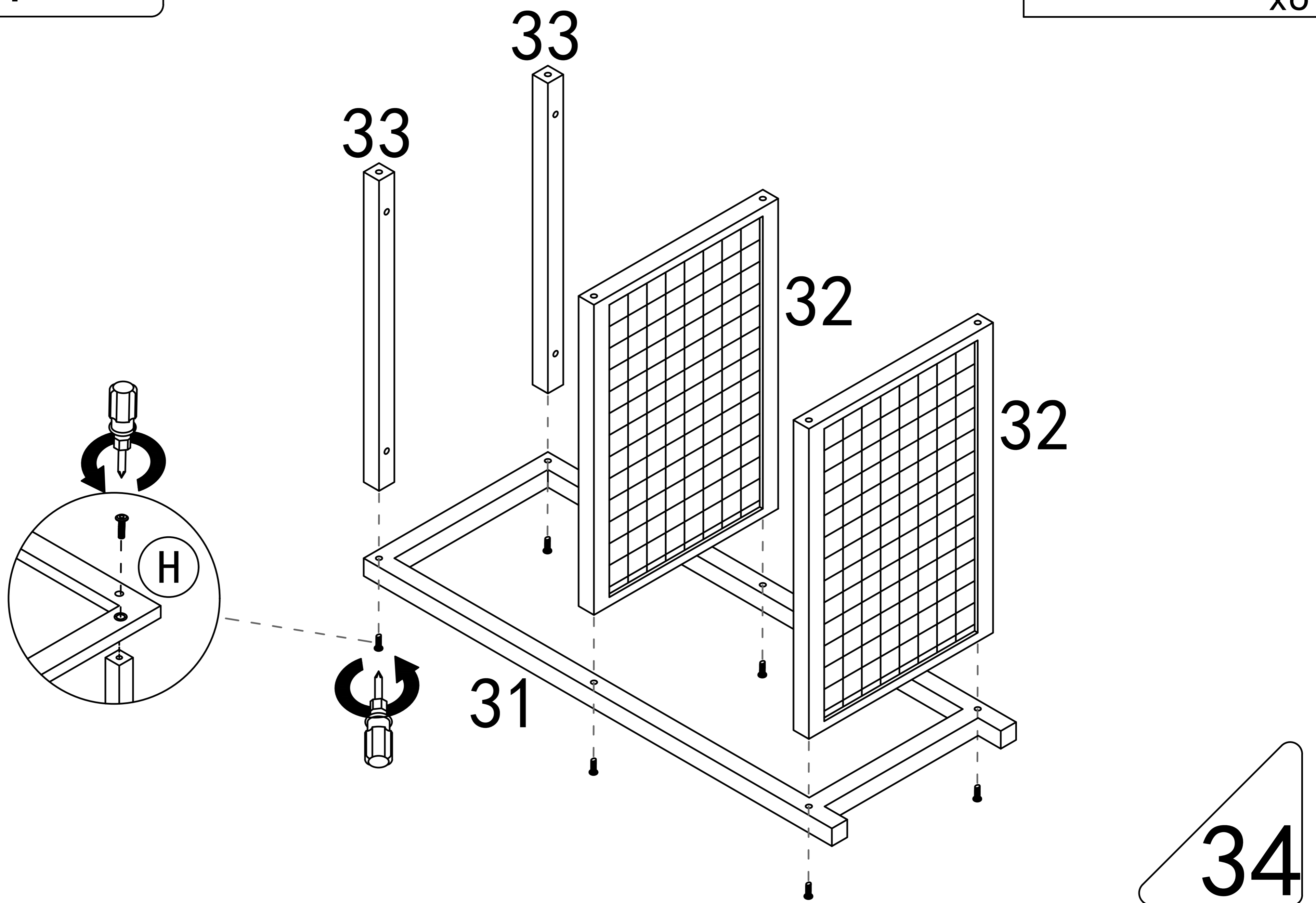
Step 44

B  x10



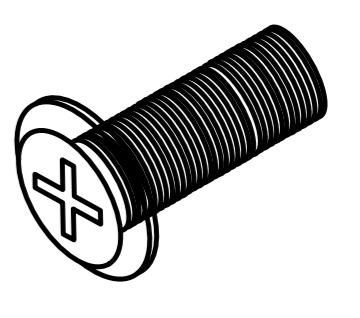
Step 45

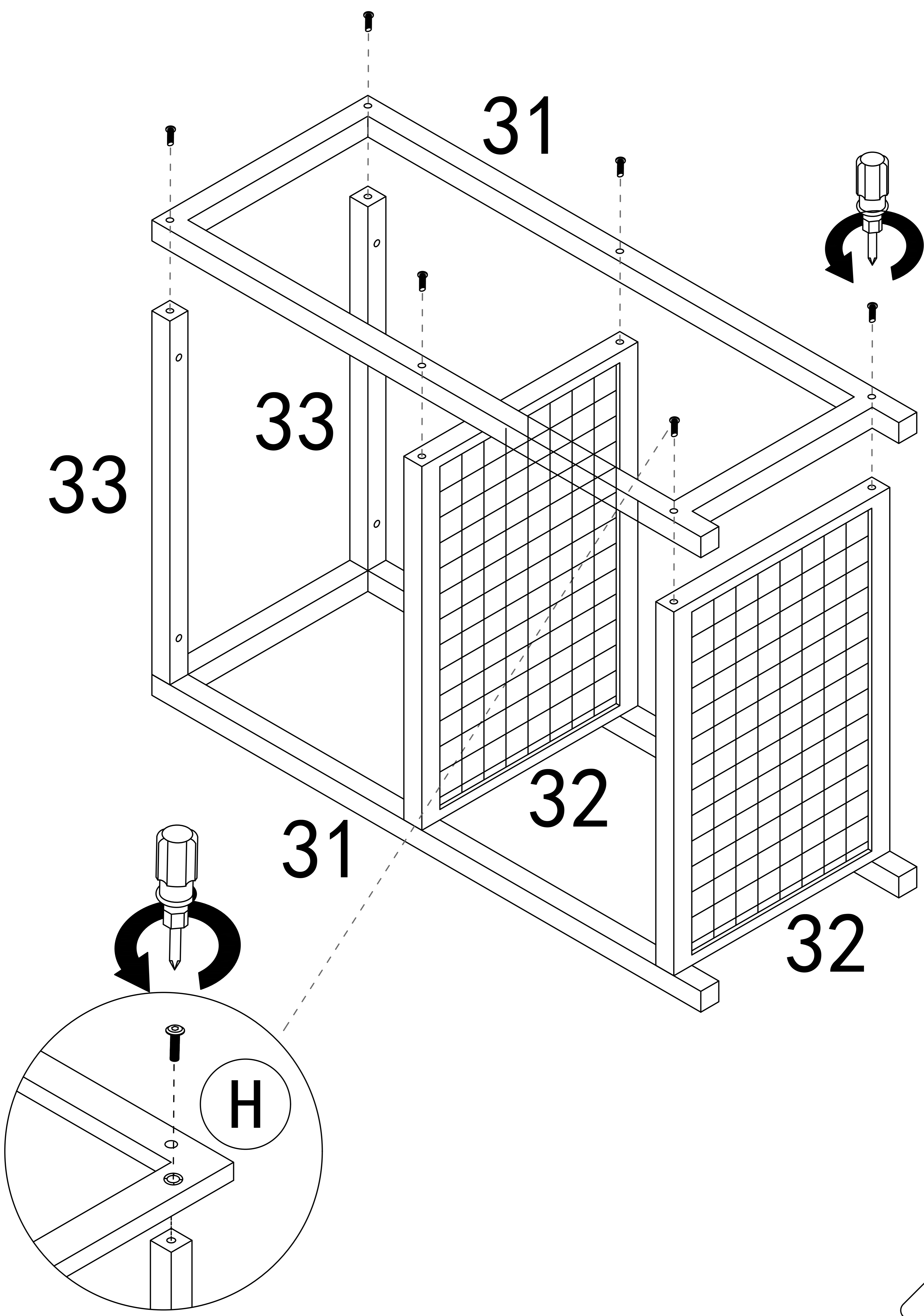
H  x6



34

Step 46

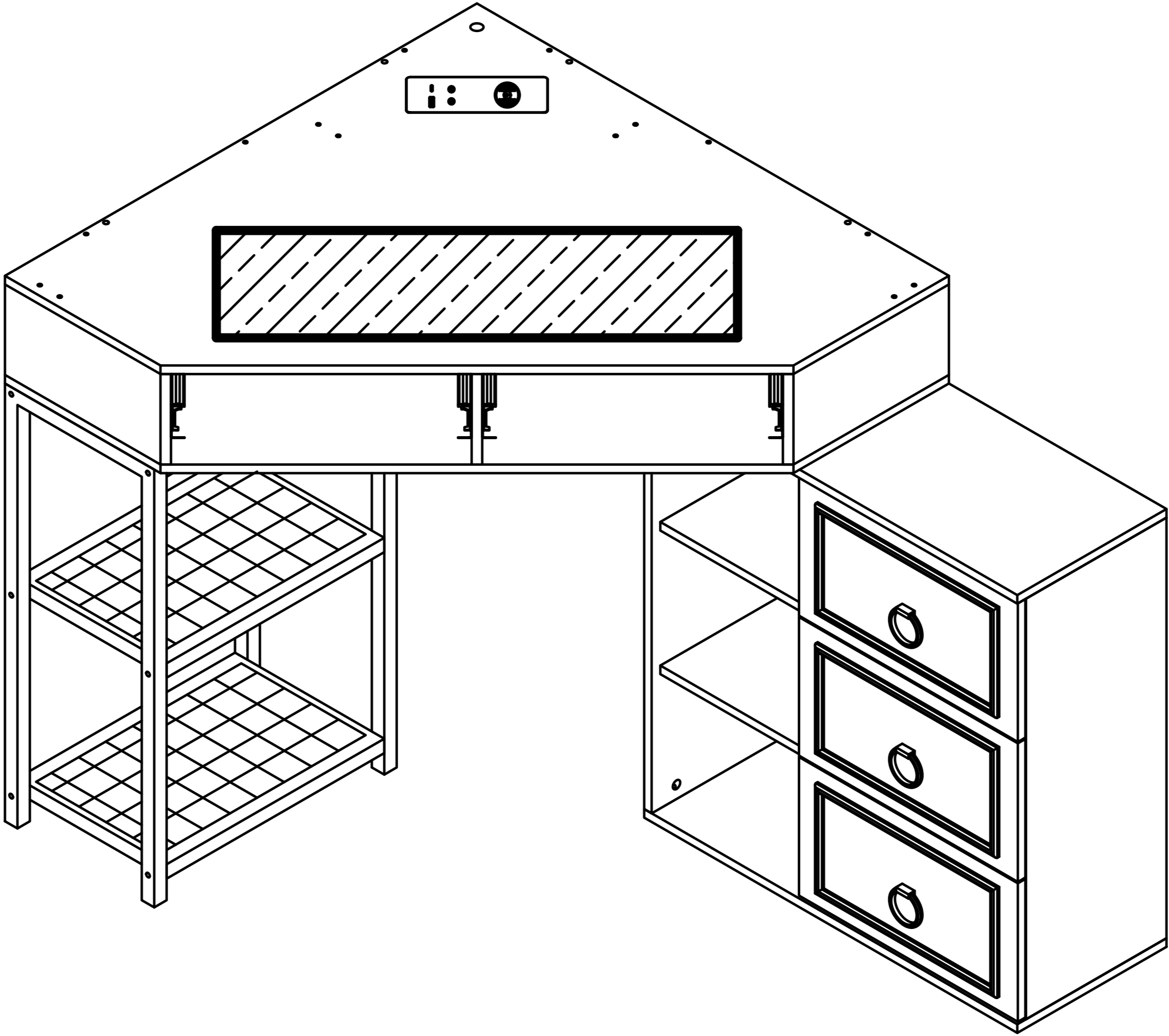
H  x6



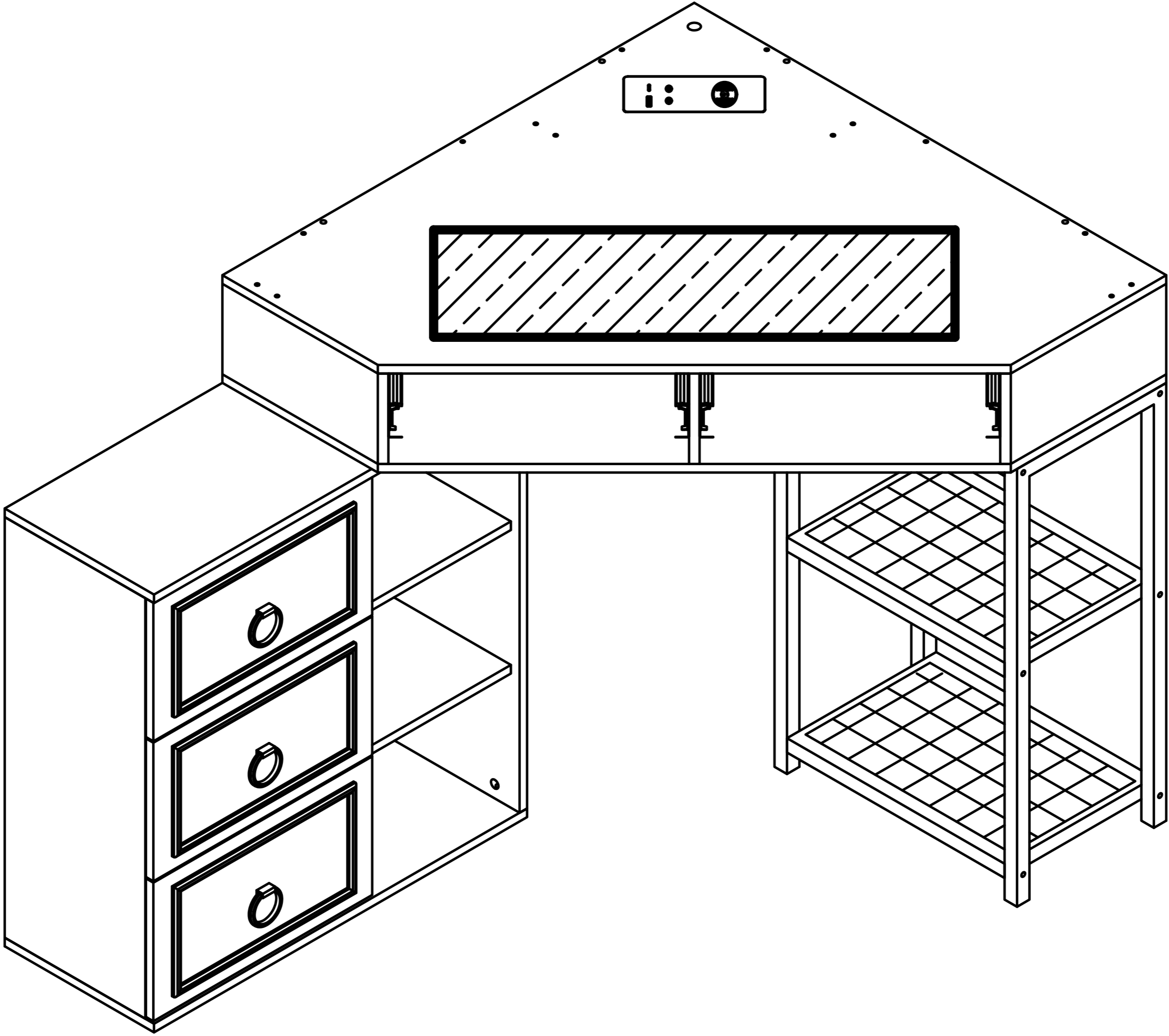
Step 47

Attention: Please review the following two effects before selecting the location where you want to insta

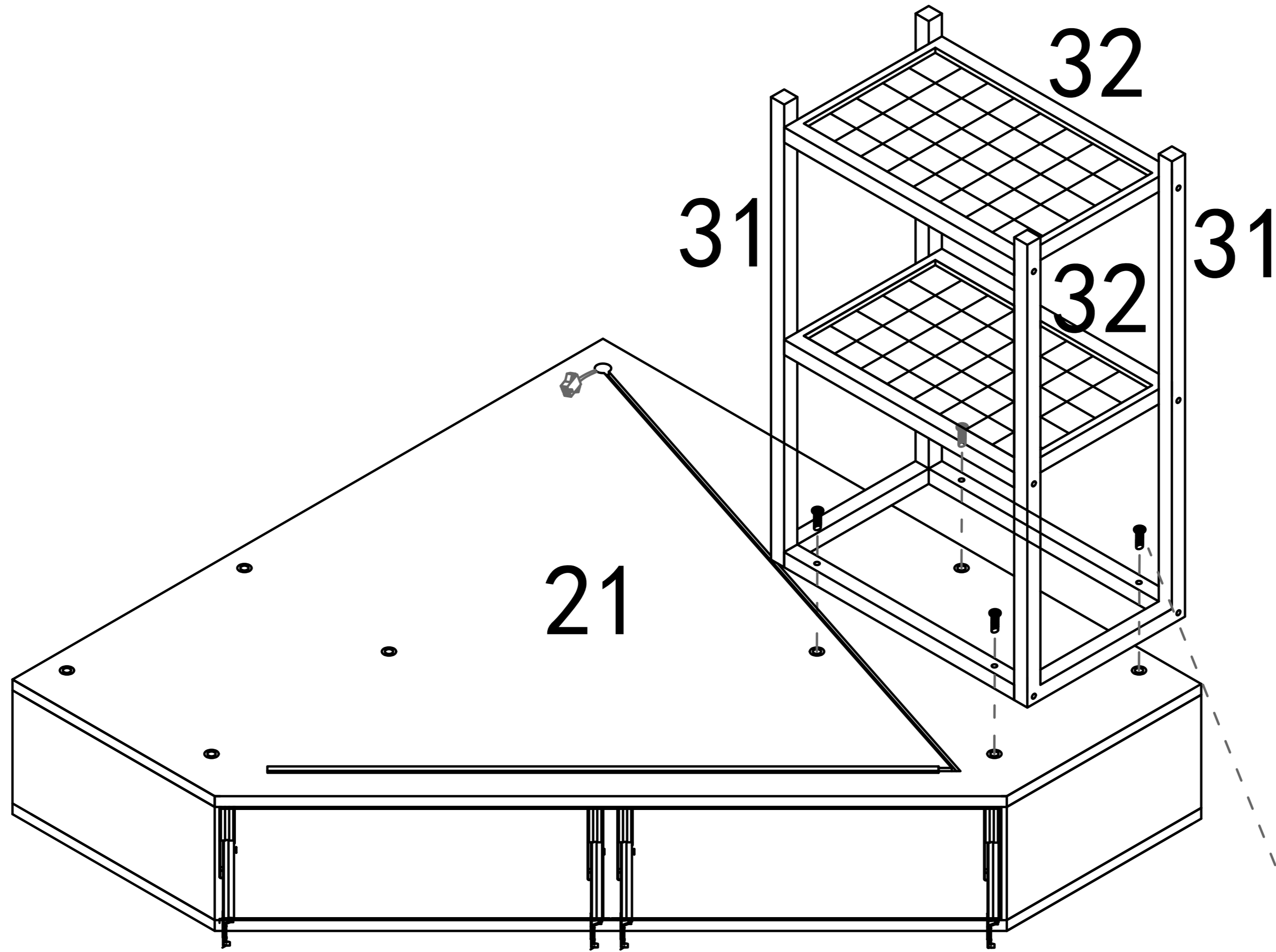
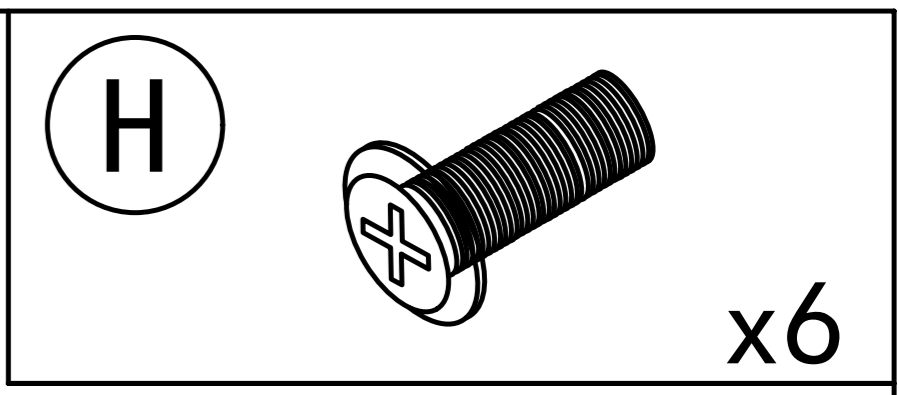
Effect 1



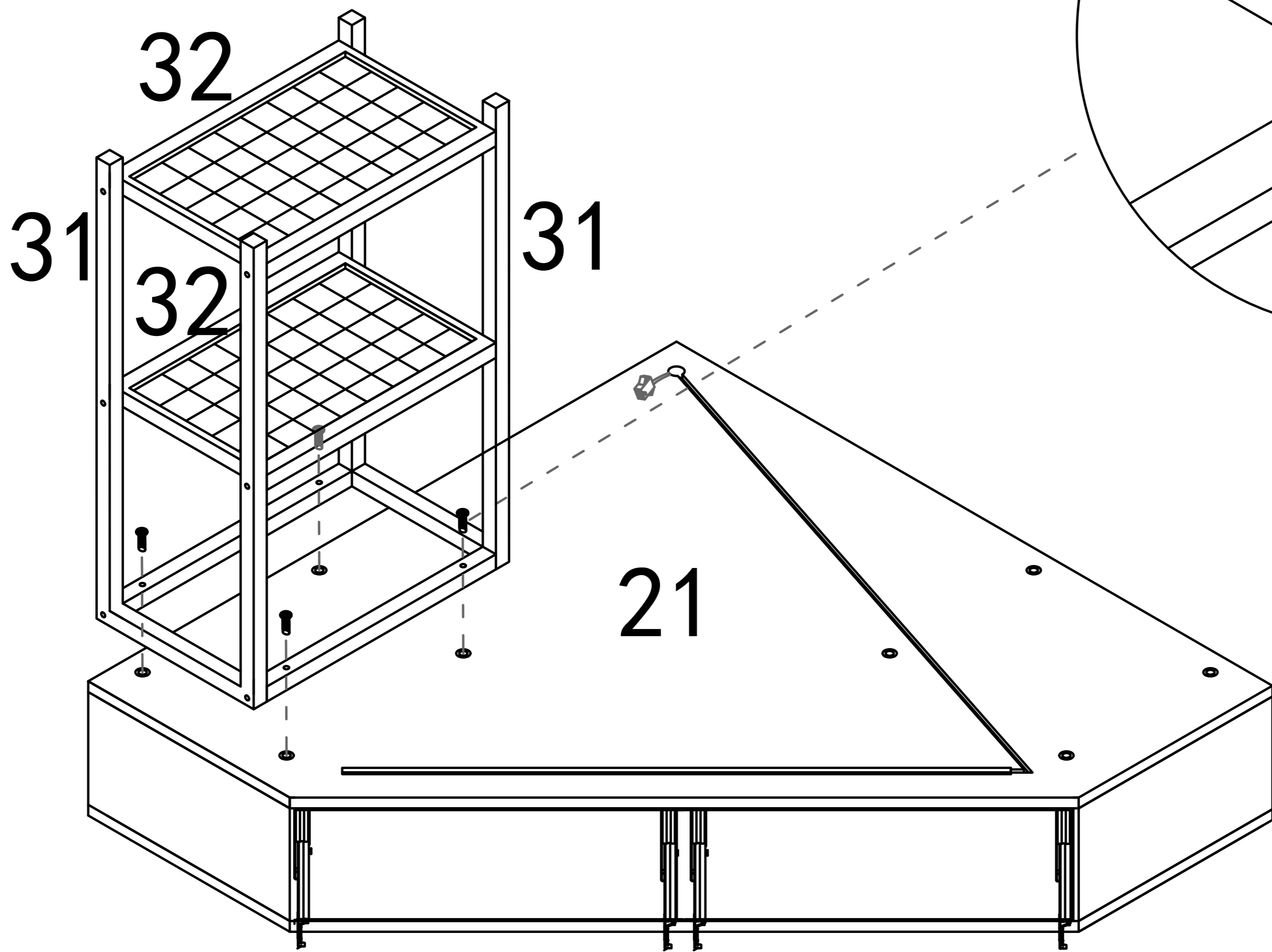
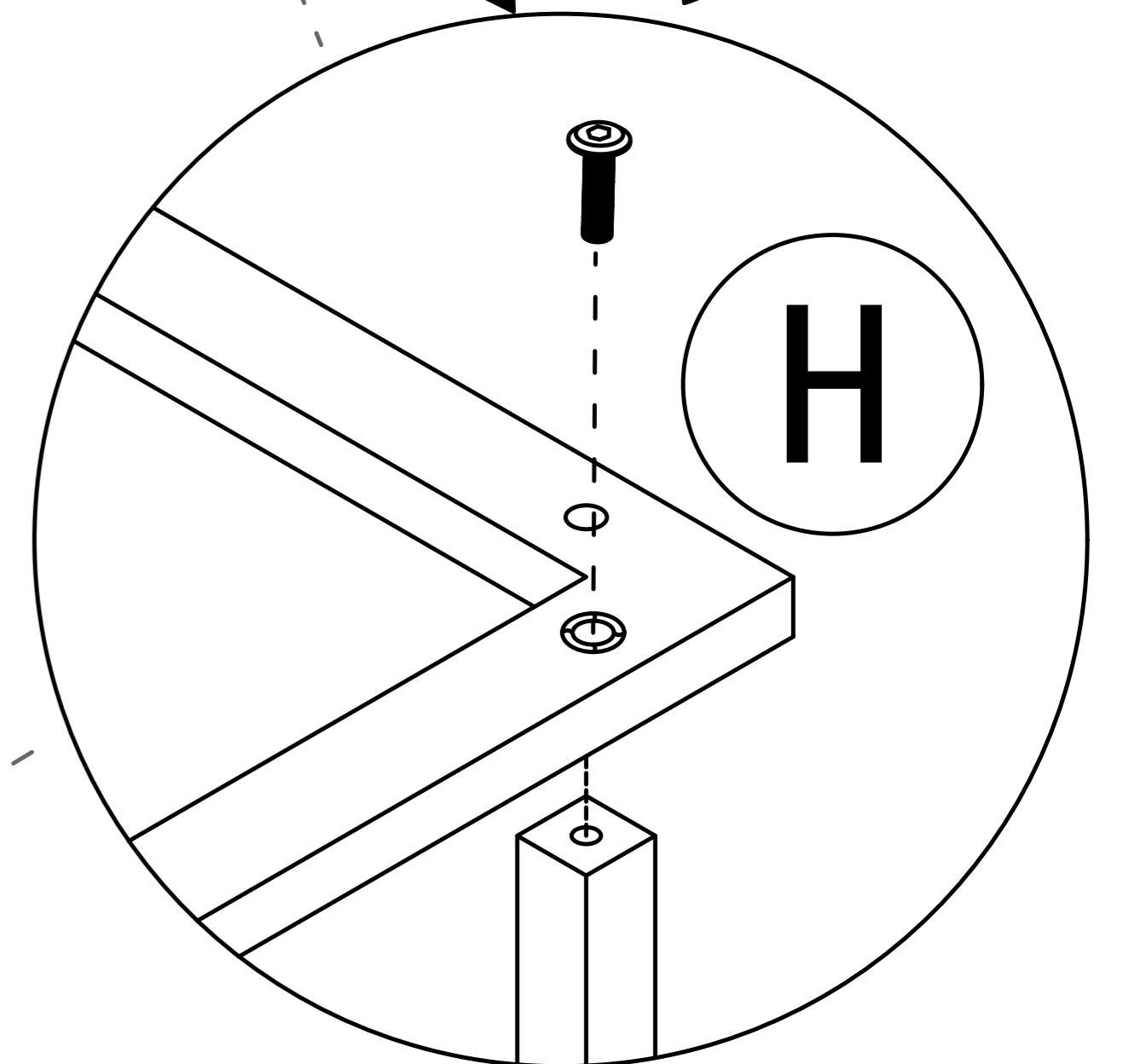
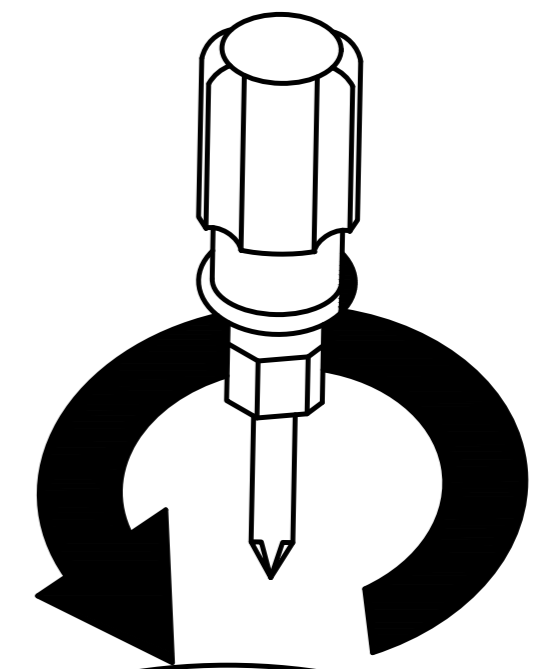
Effect 2



Step 48

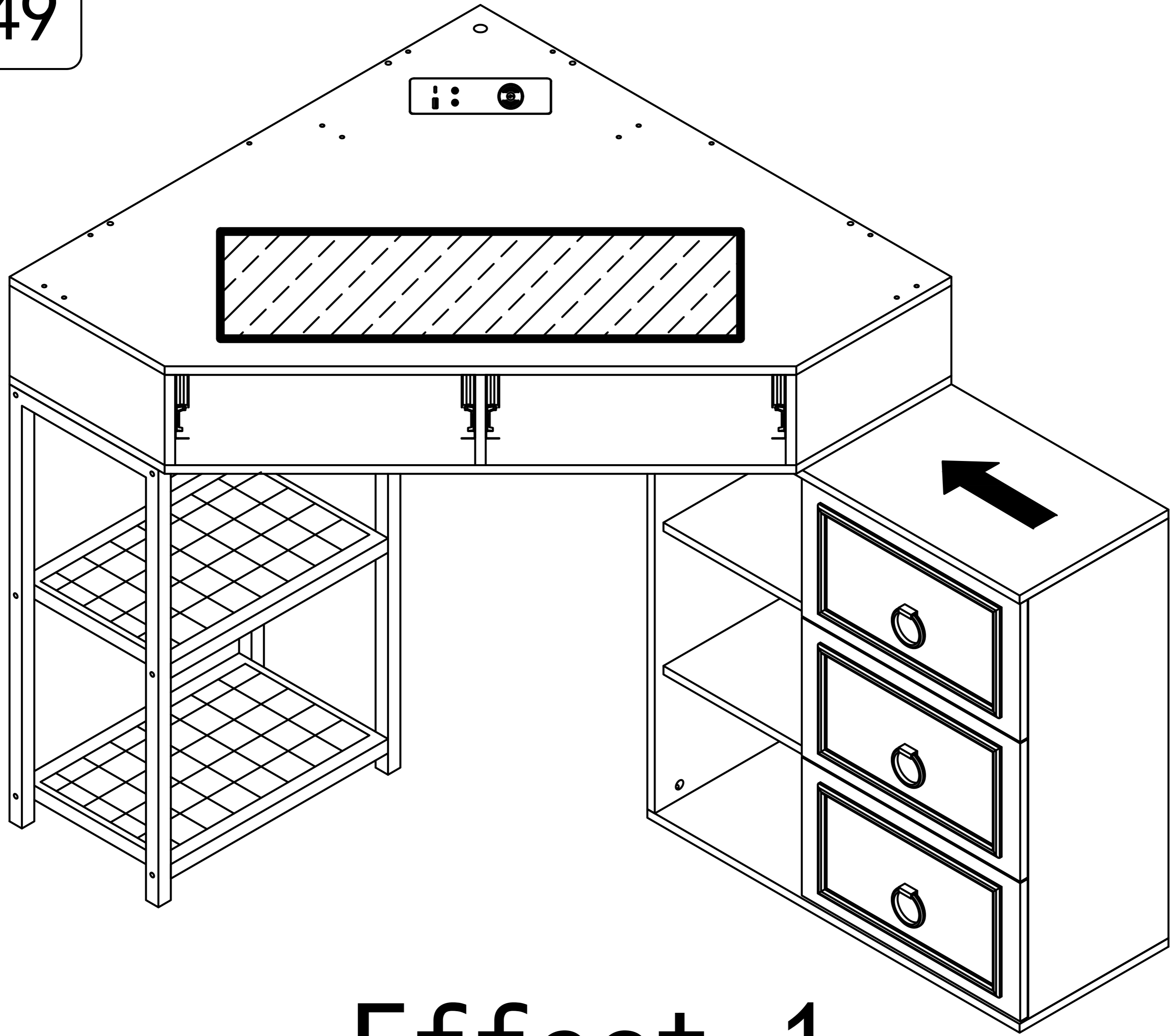


Effect 1

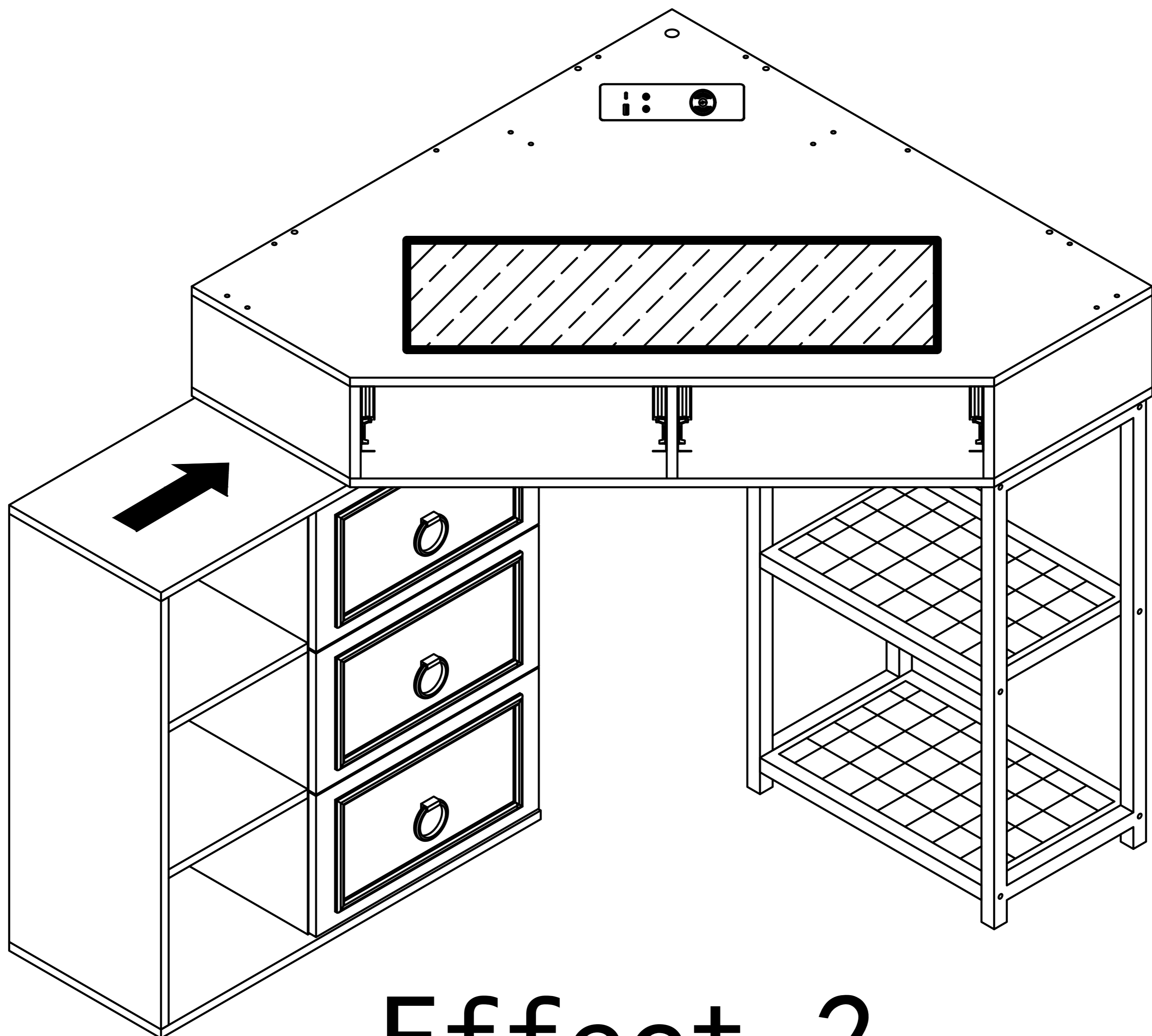


Effect 2

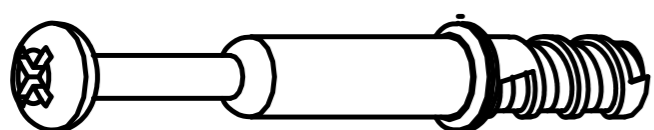
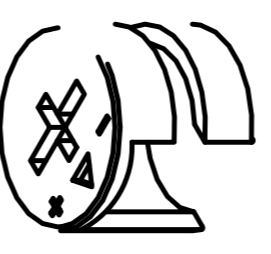

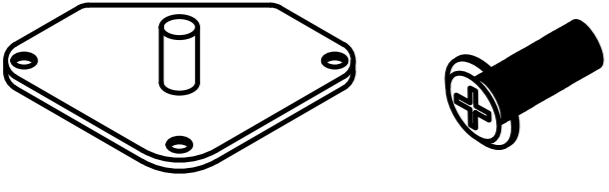

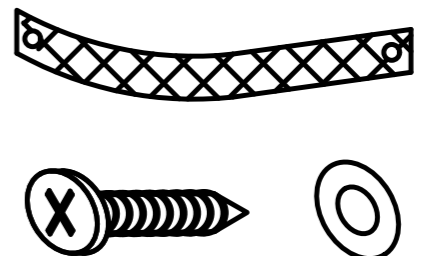

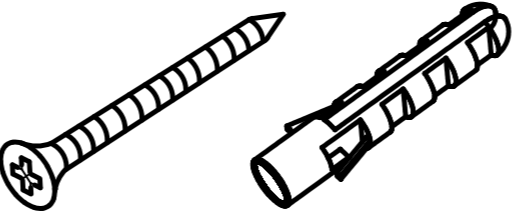
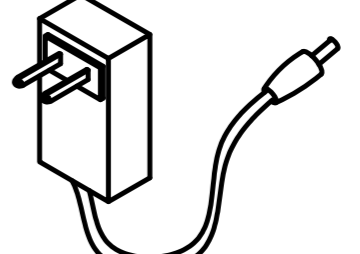
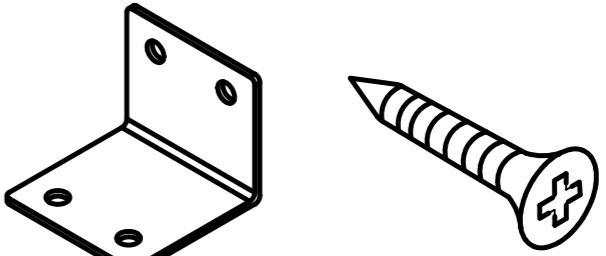
Step 49

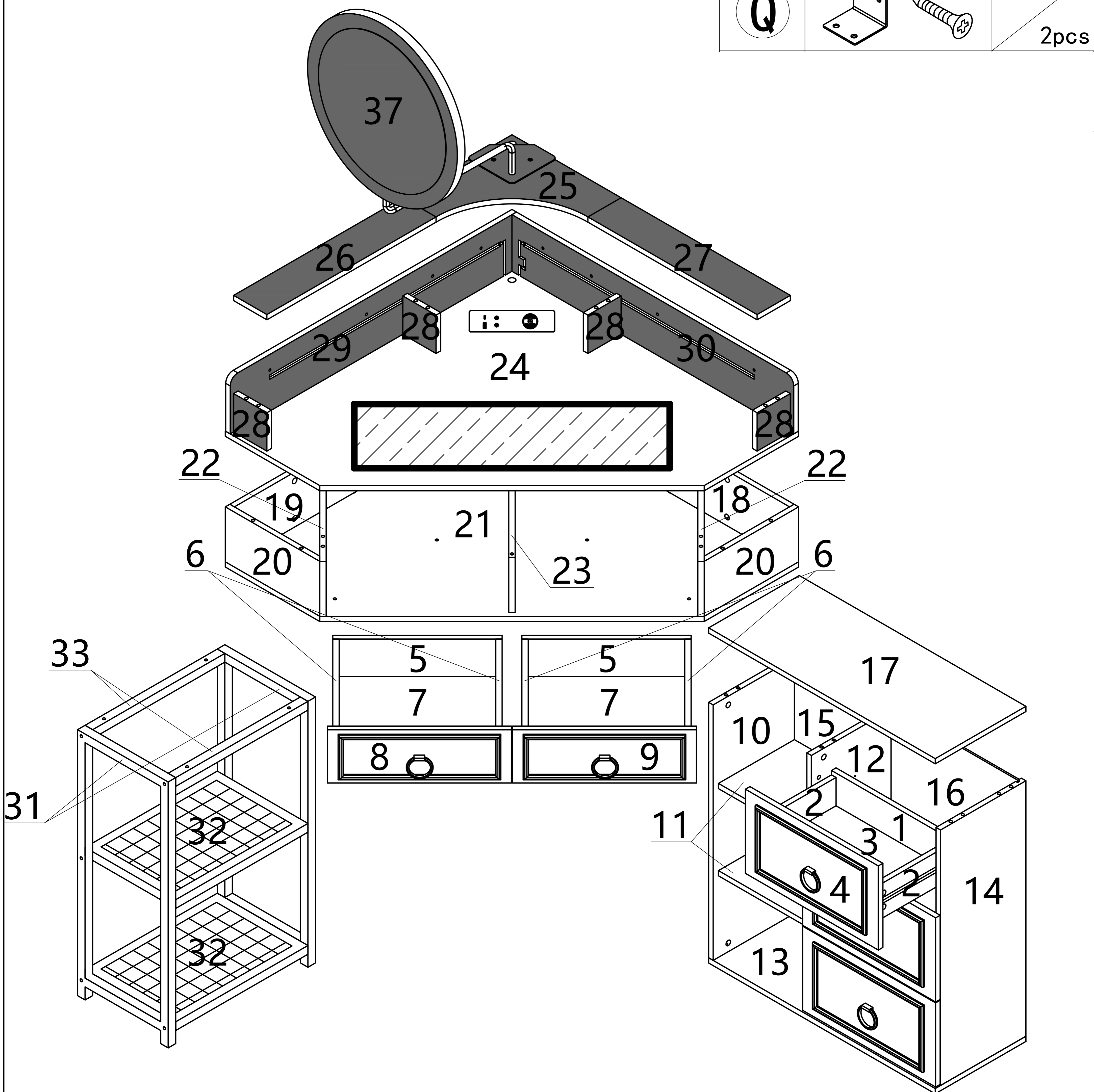


Effect 1



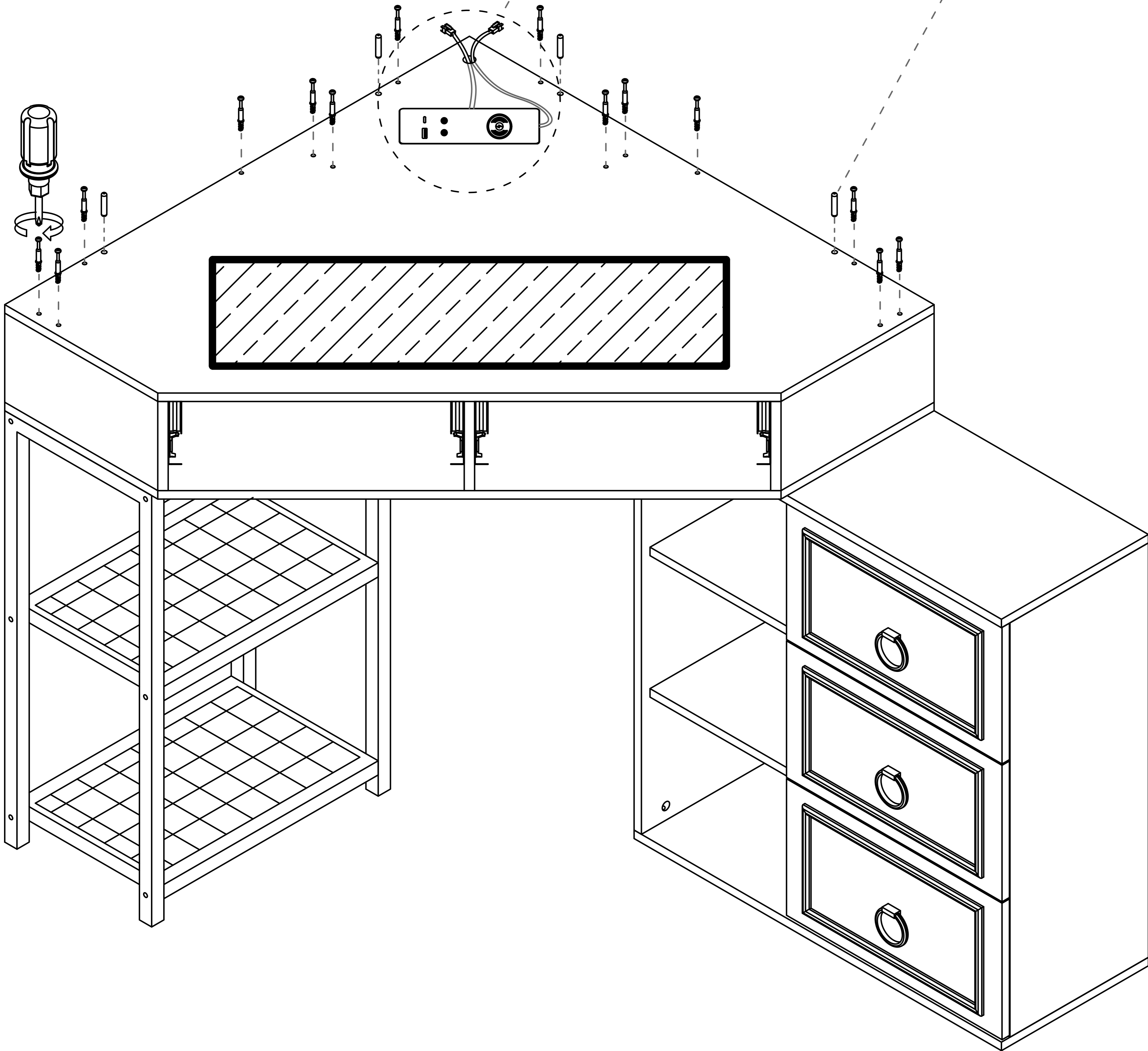
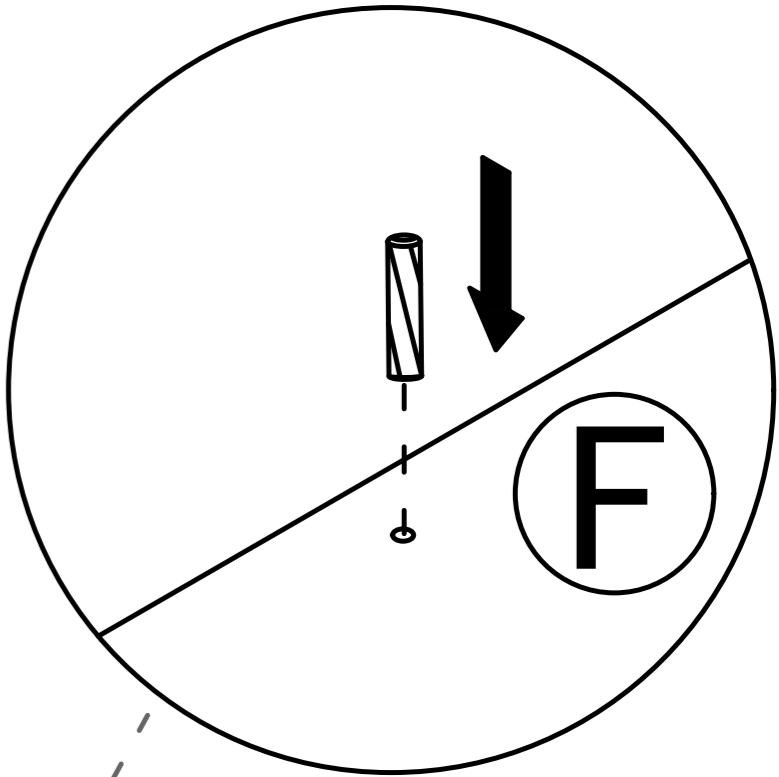
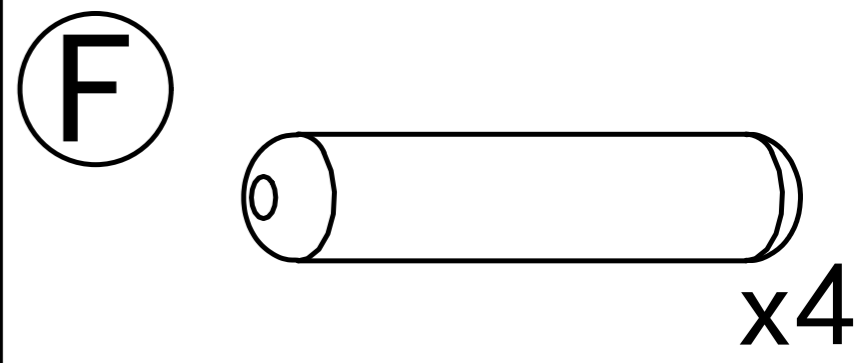
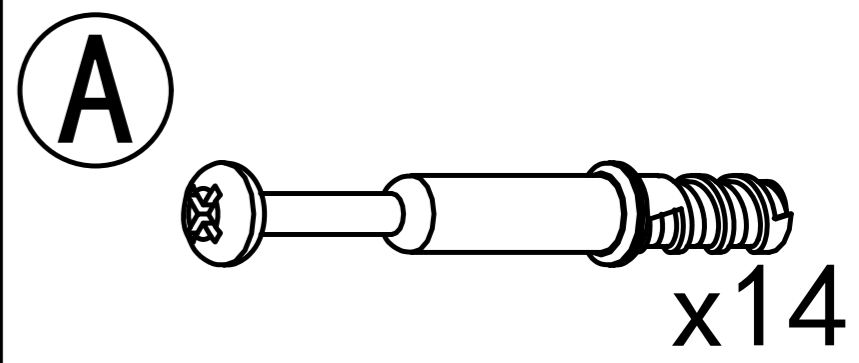
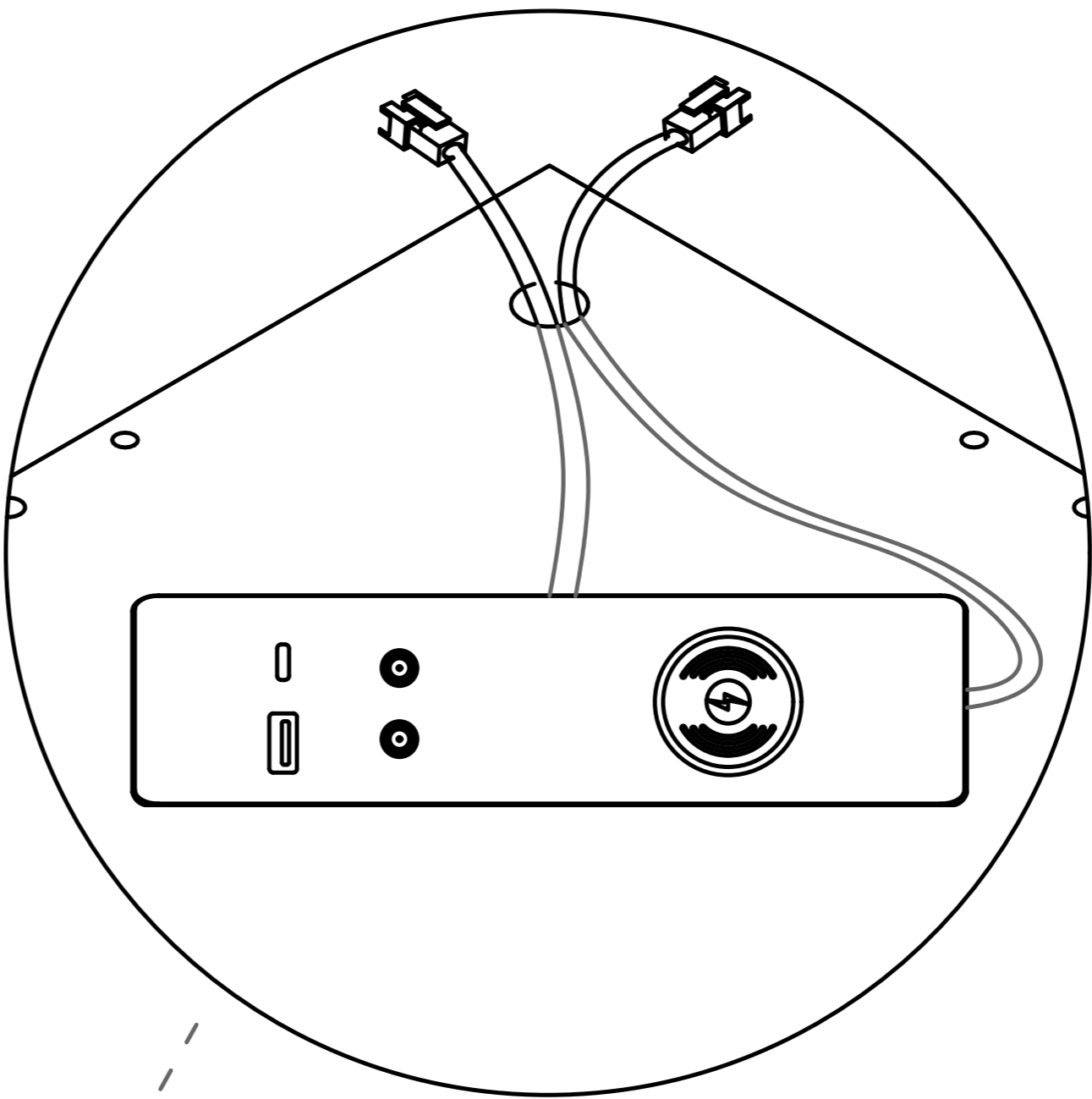
Effect 2

A		32pcs	B		32pcs	F		8pcs
J		1pcs 3pcs	K		2pcs	L		1pcs 1pcs
M		2pcs	N		1pcs	P		1pcs
						Q		0pcs 2pcs

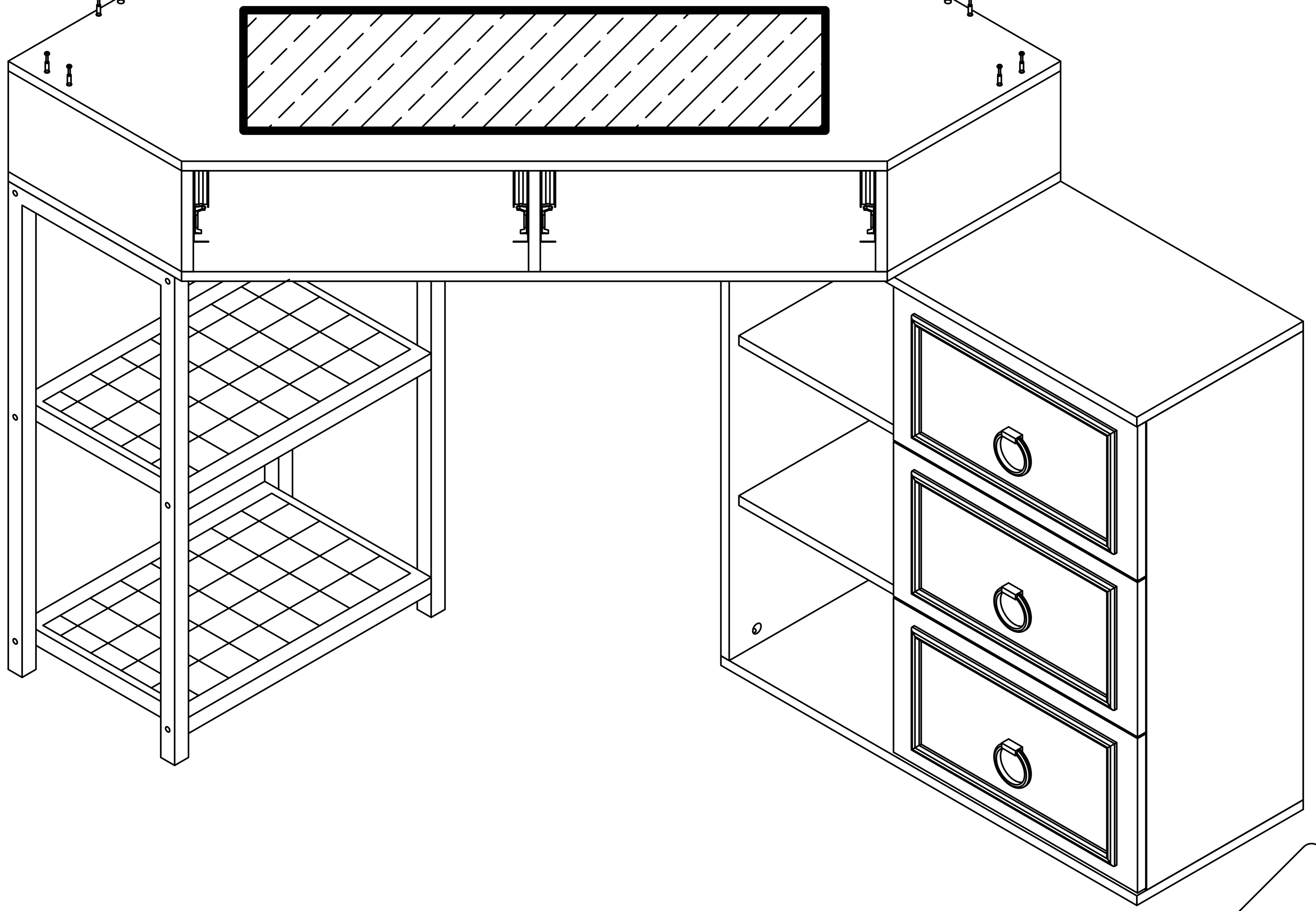
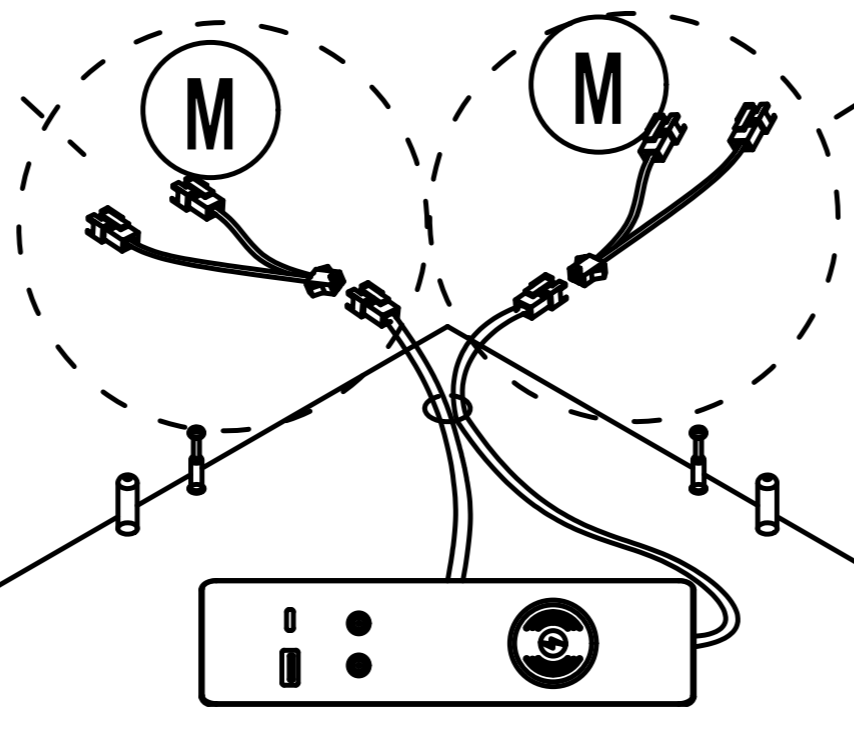
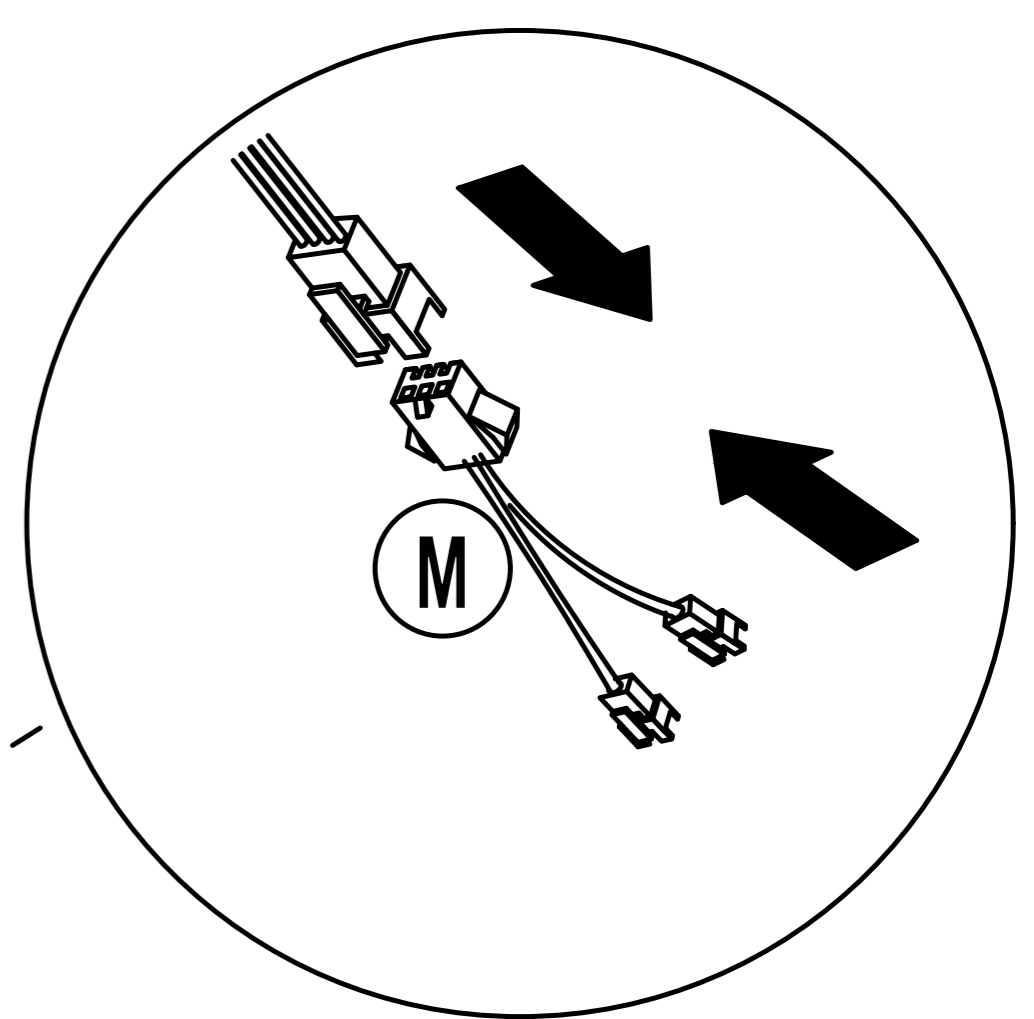
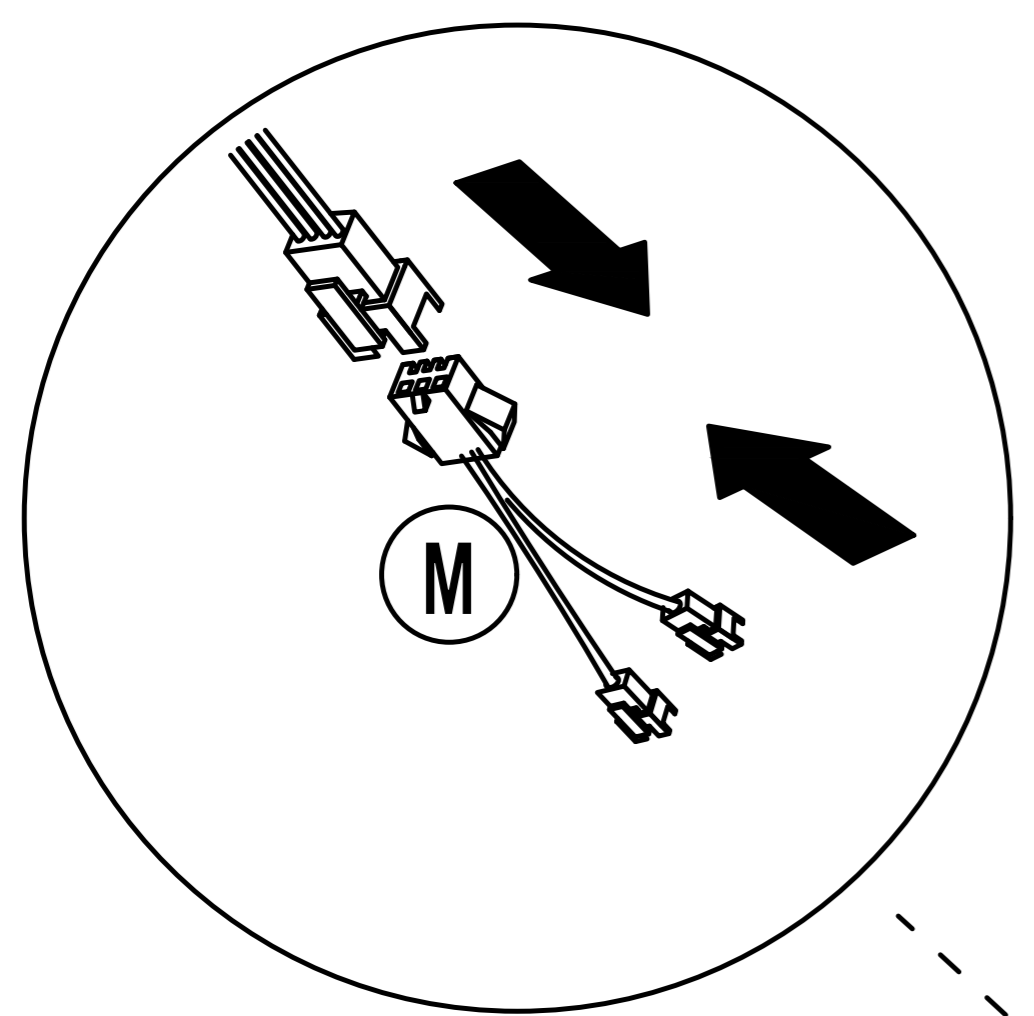
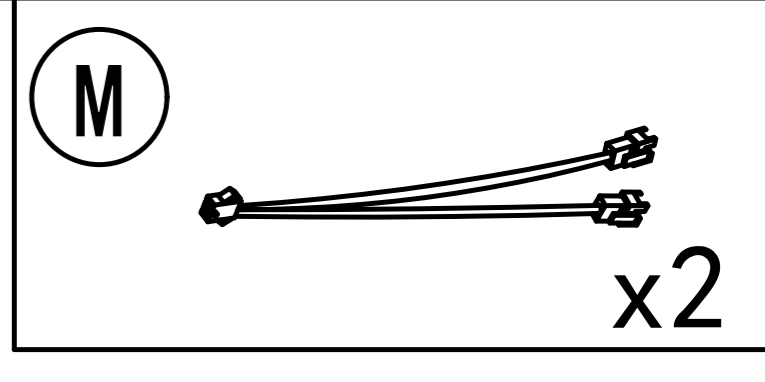


Step 50

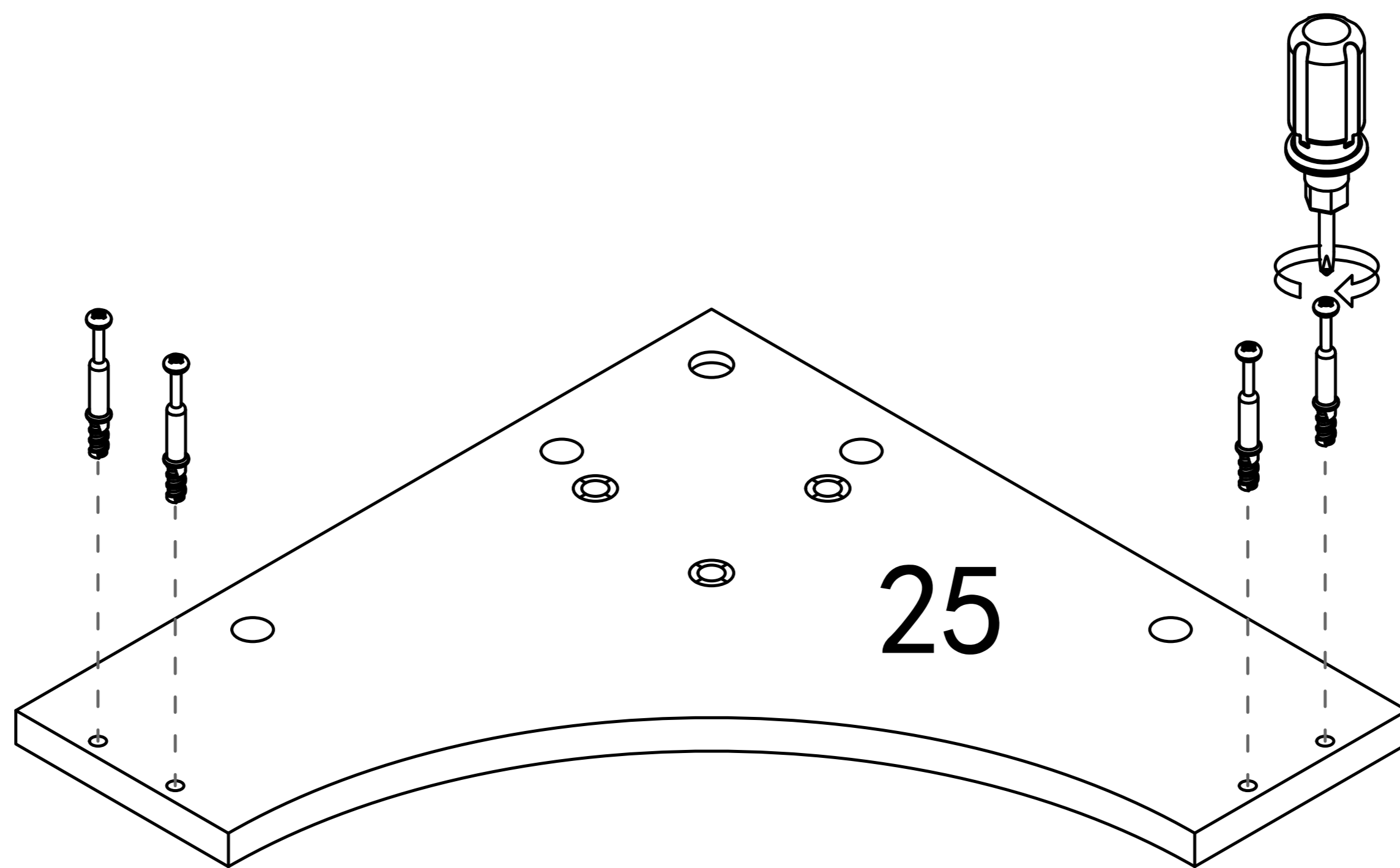
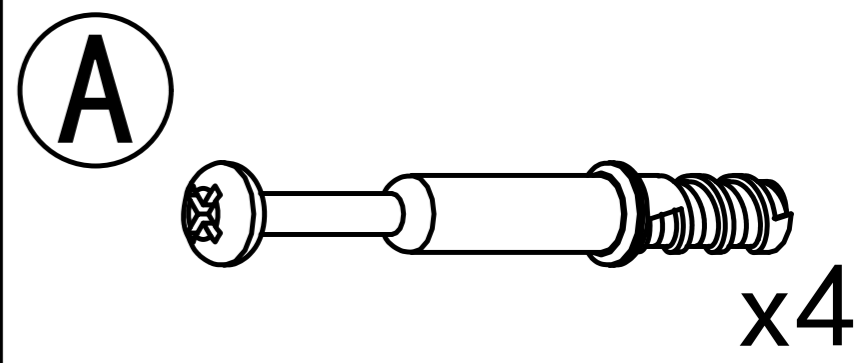
Thread the line through the hole



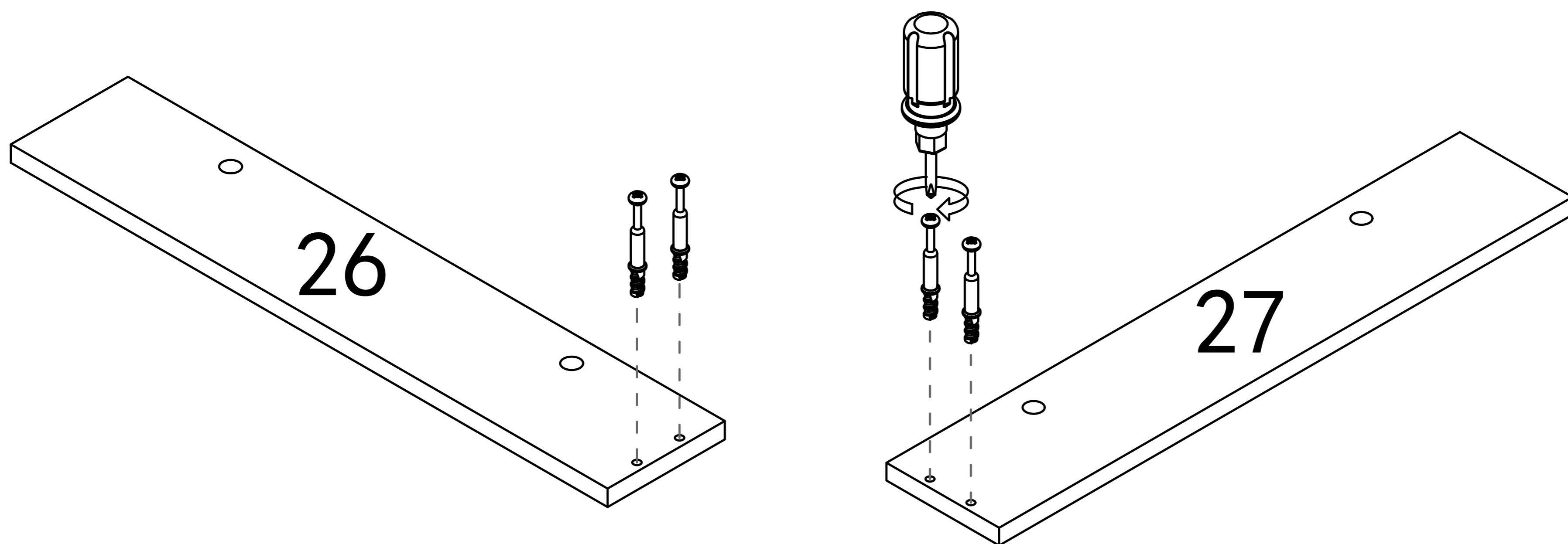
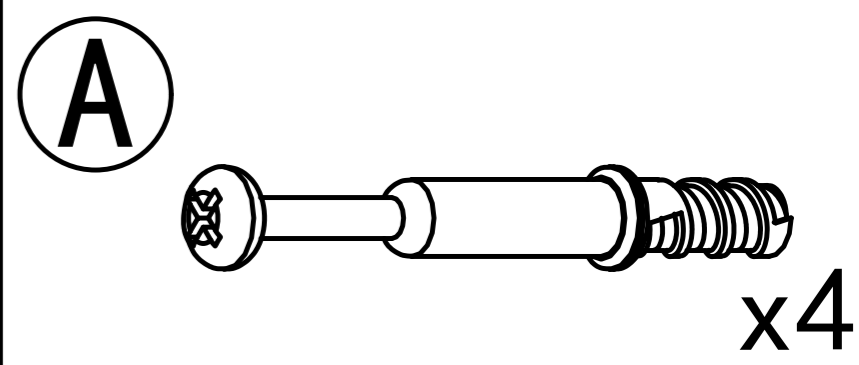
Step 51



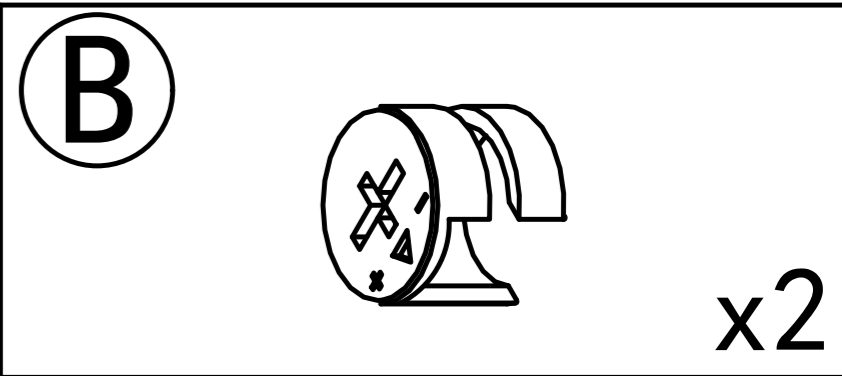
Step 52



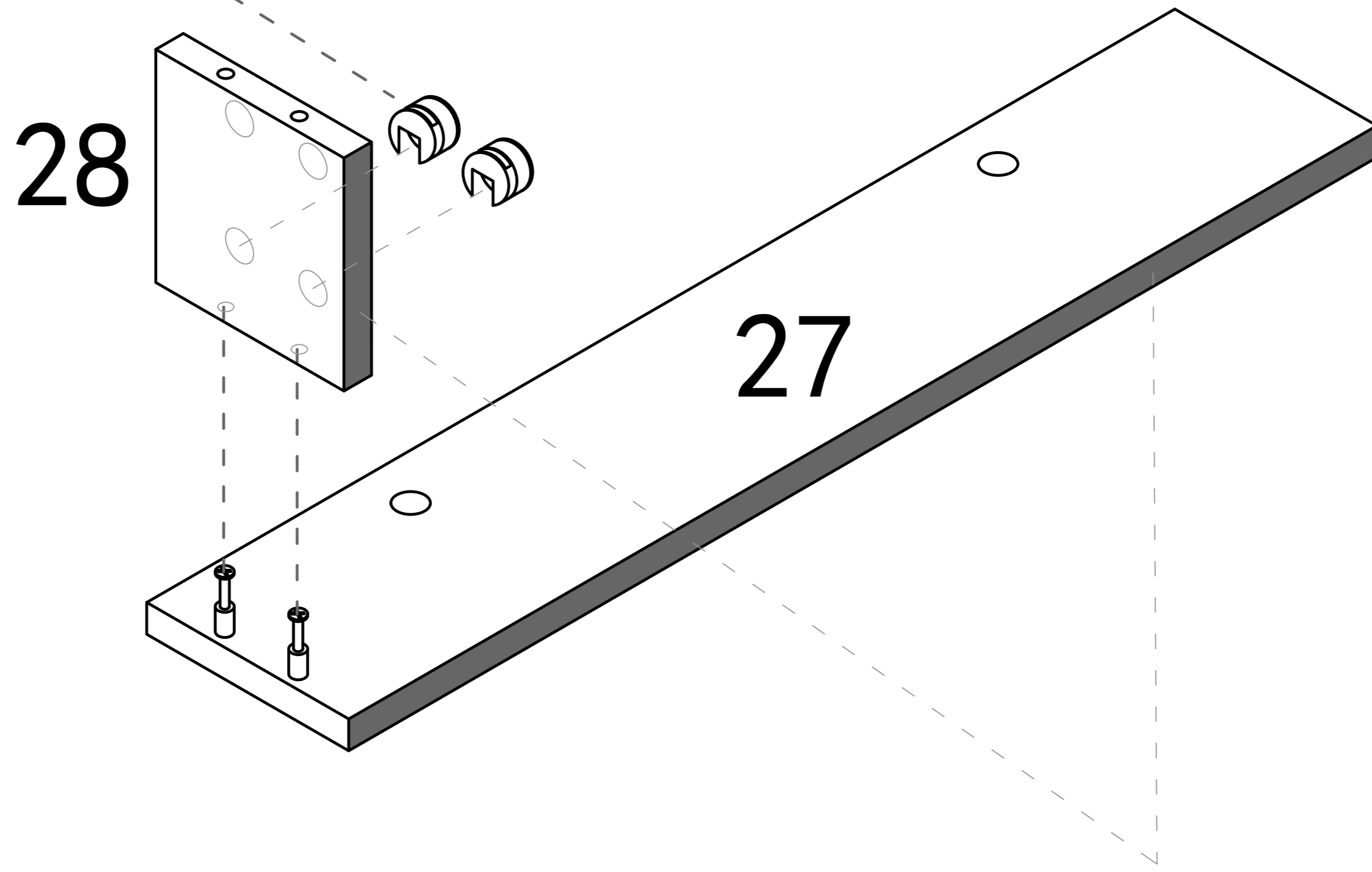
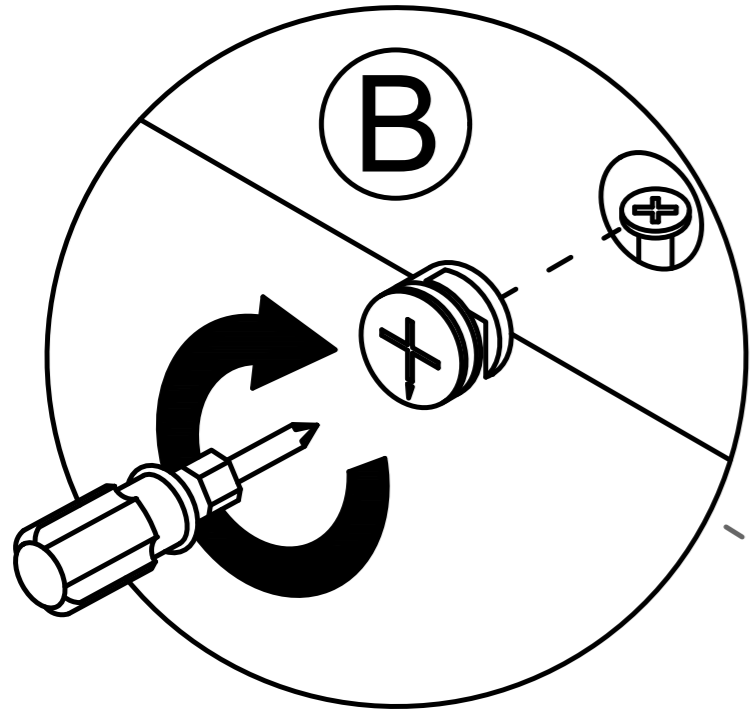
Step 53



Step 54

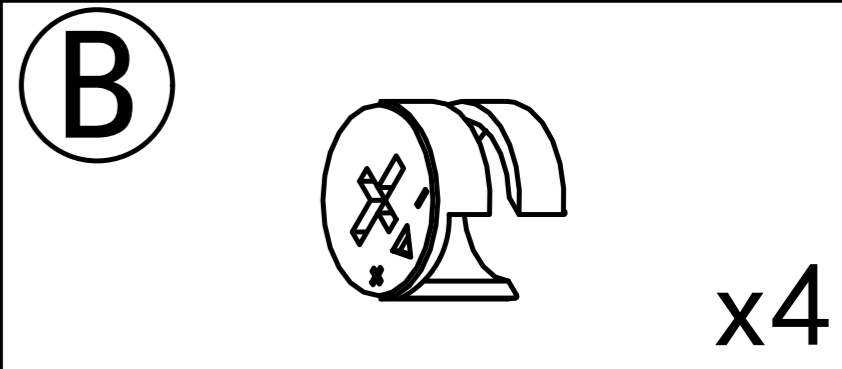


Please note the direction of the holes on board number 28

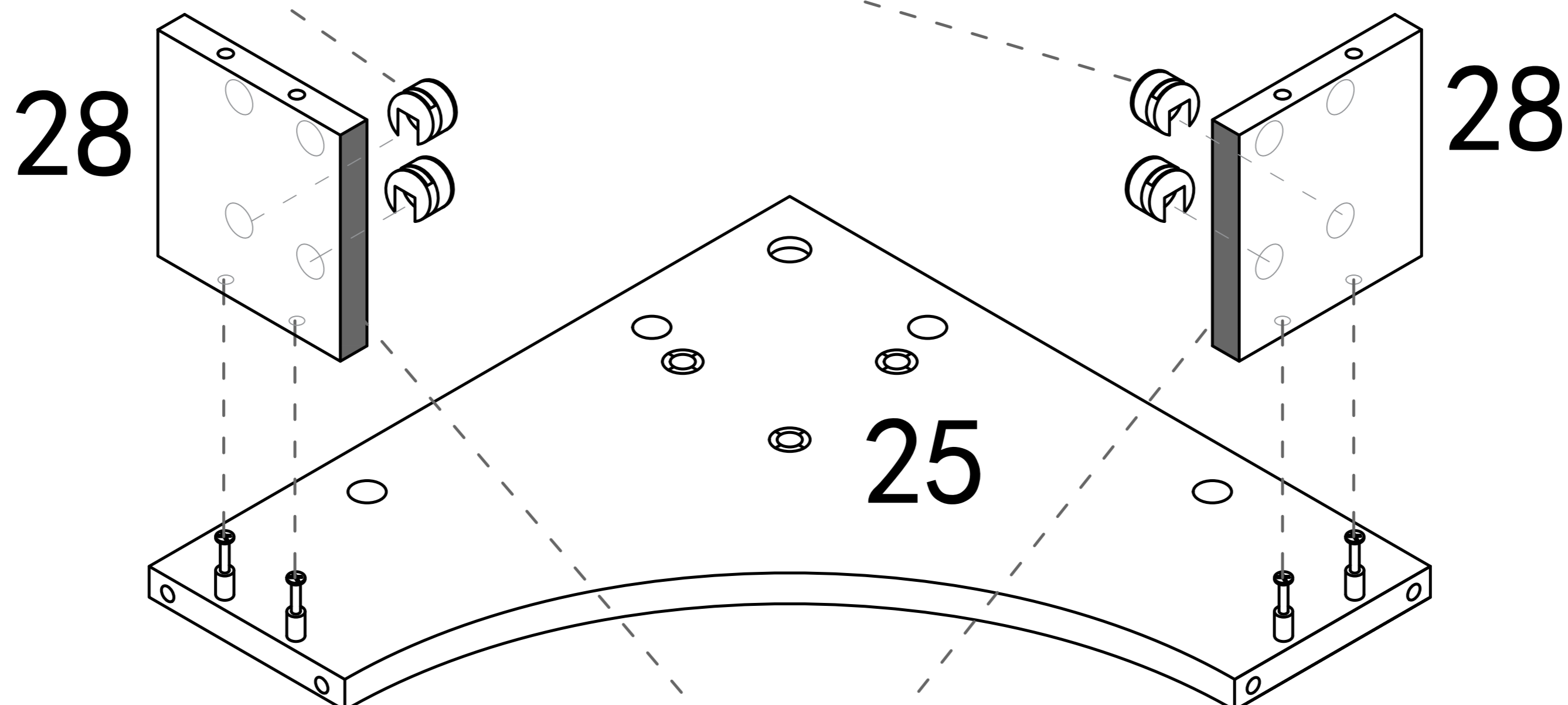
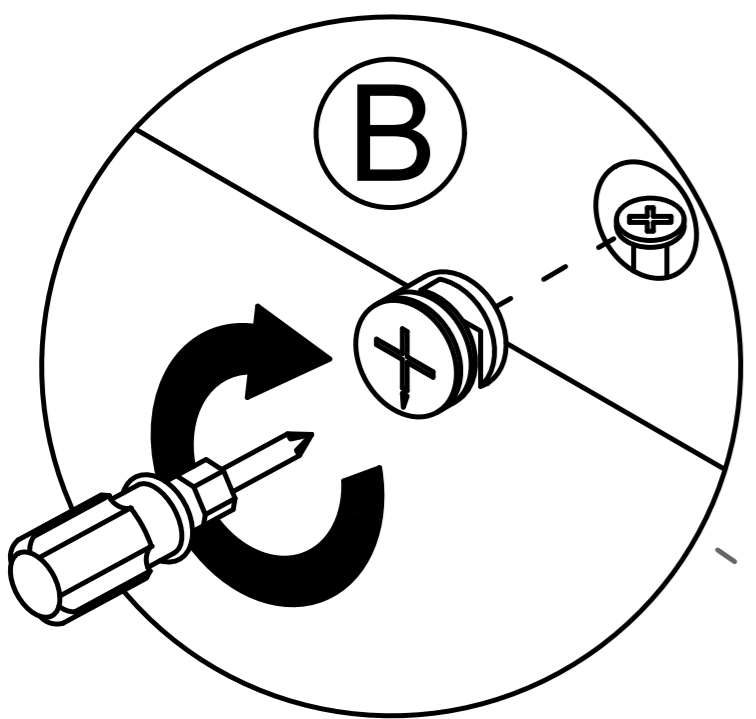


Decorative surface on the same side

Step 55



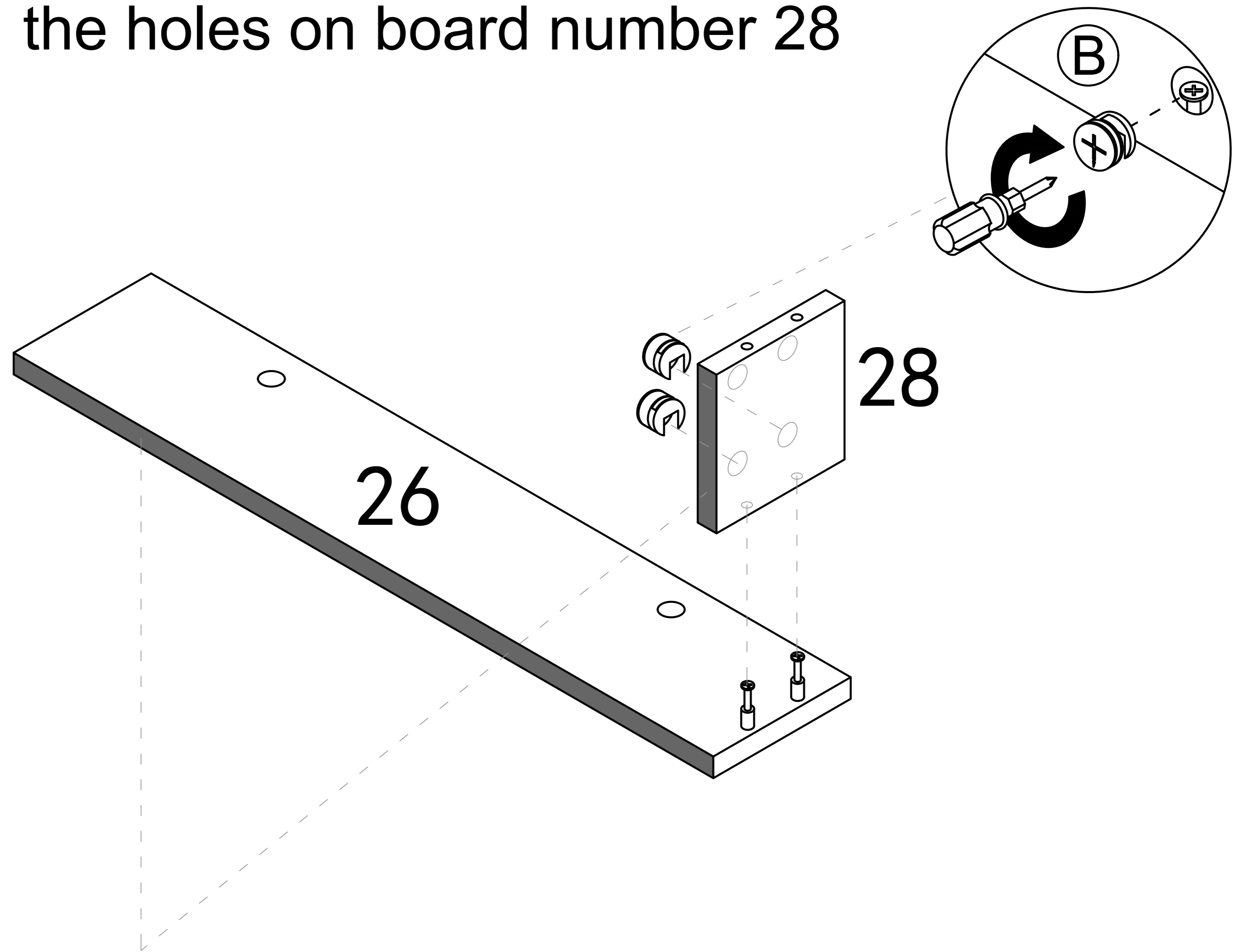
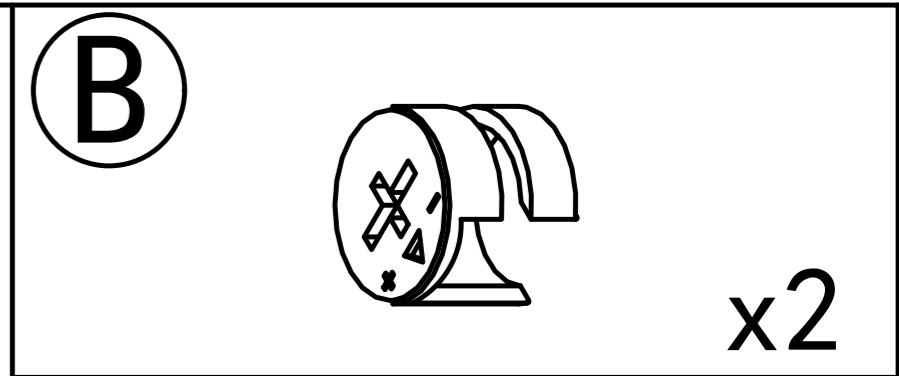
Please note the direction of the holes on board number 28



Decorative surface on the same side

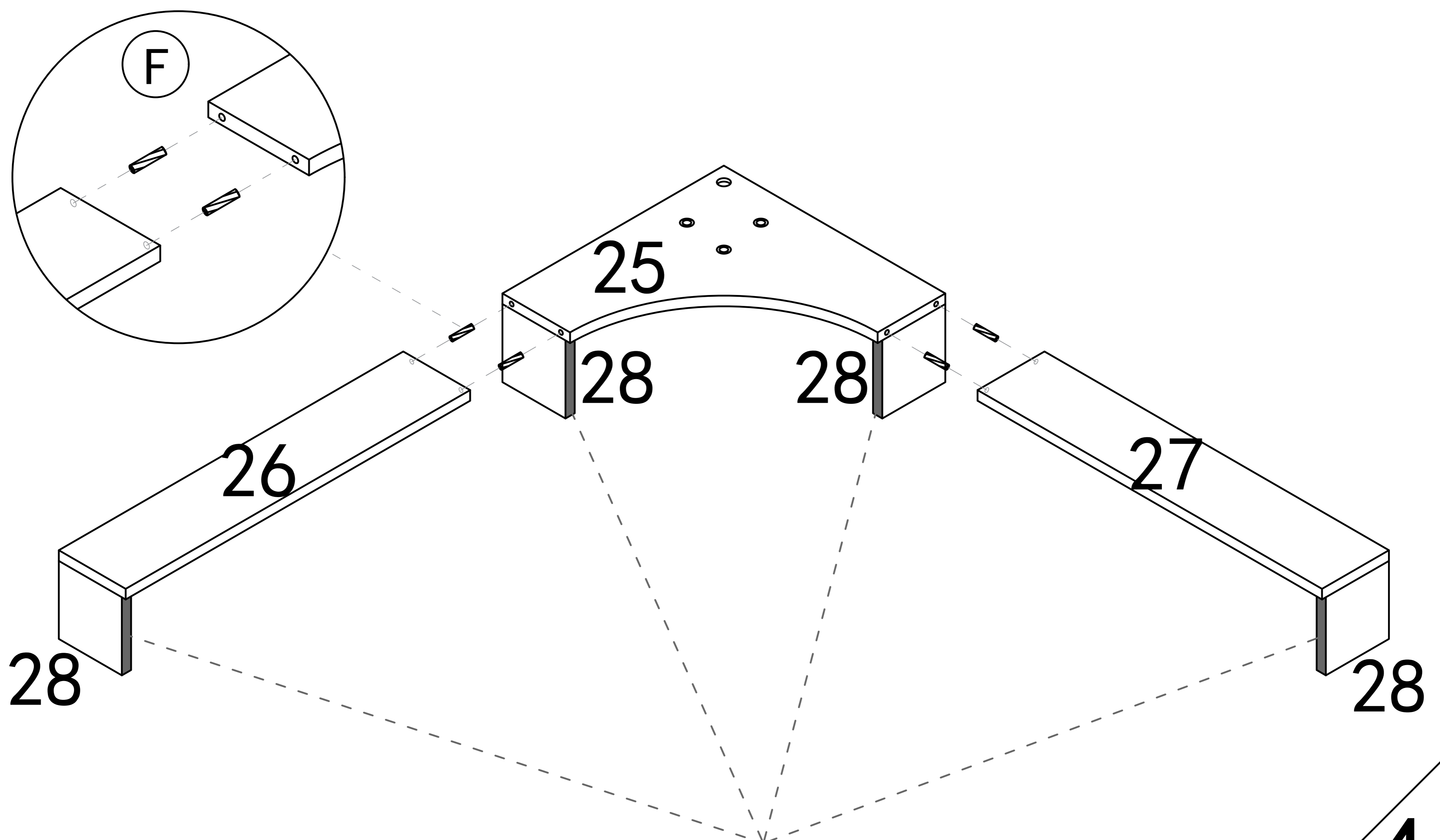
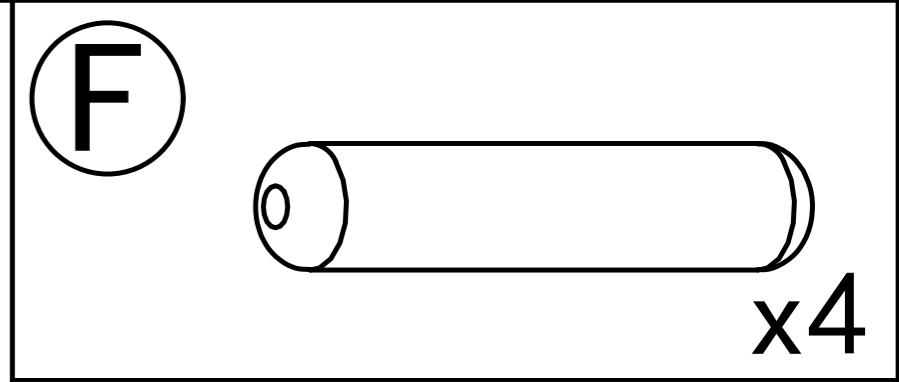
Step 56

Please note the direction of the holes on board number 28



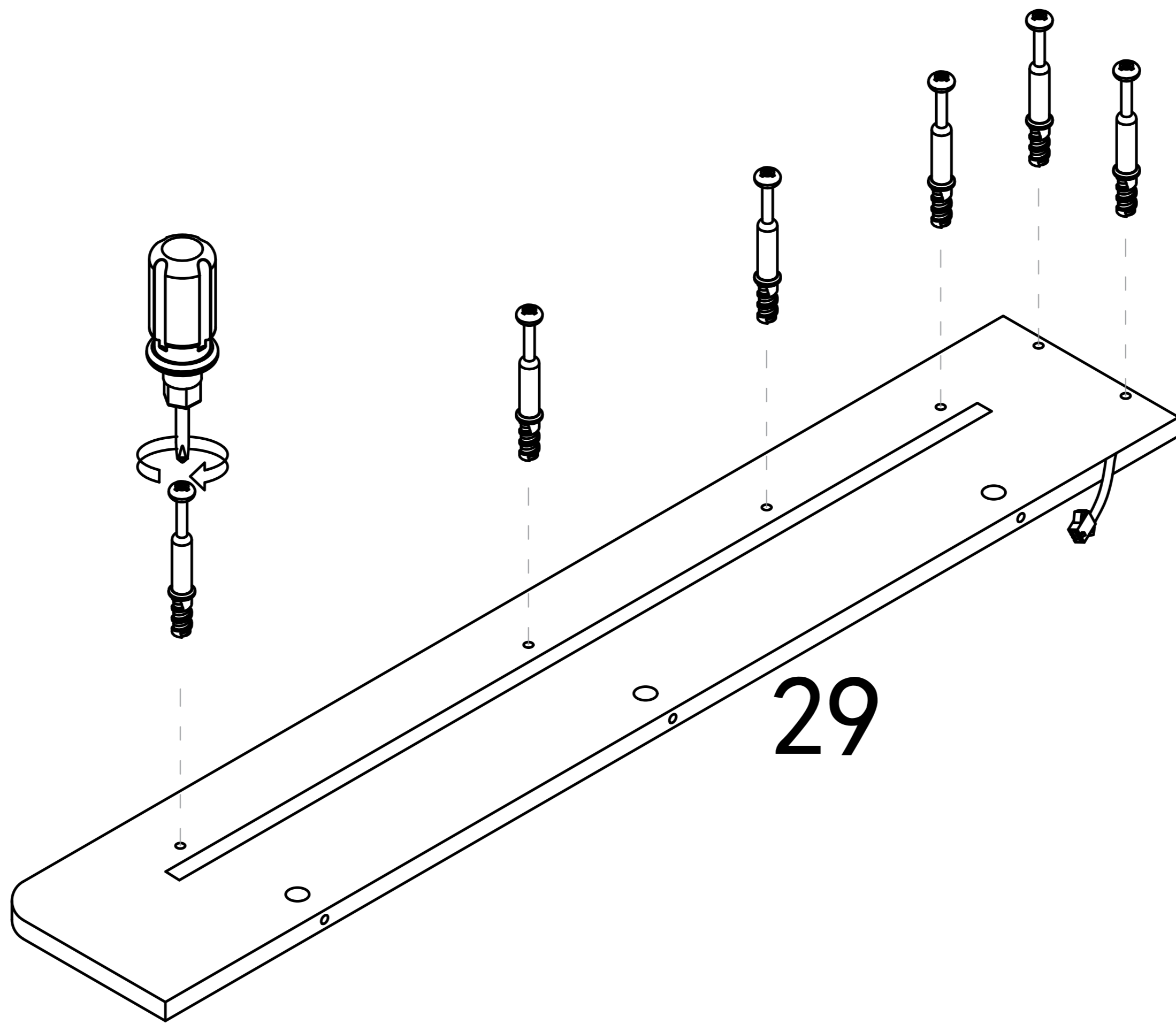
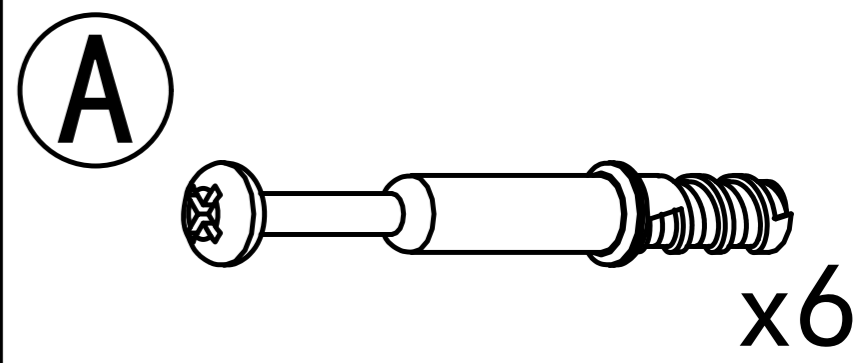
Decorative surface on the same side

Step 57

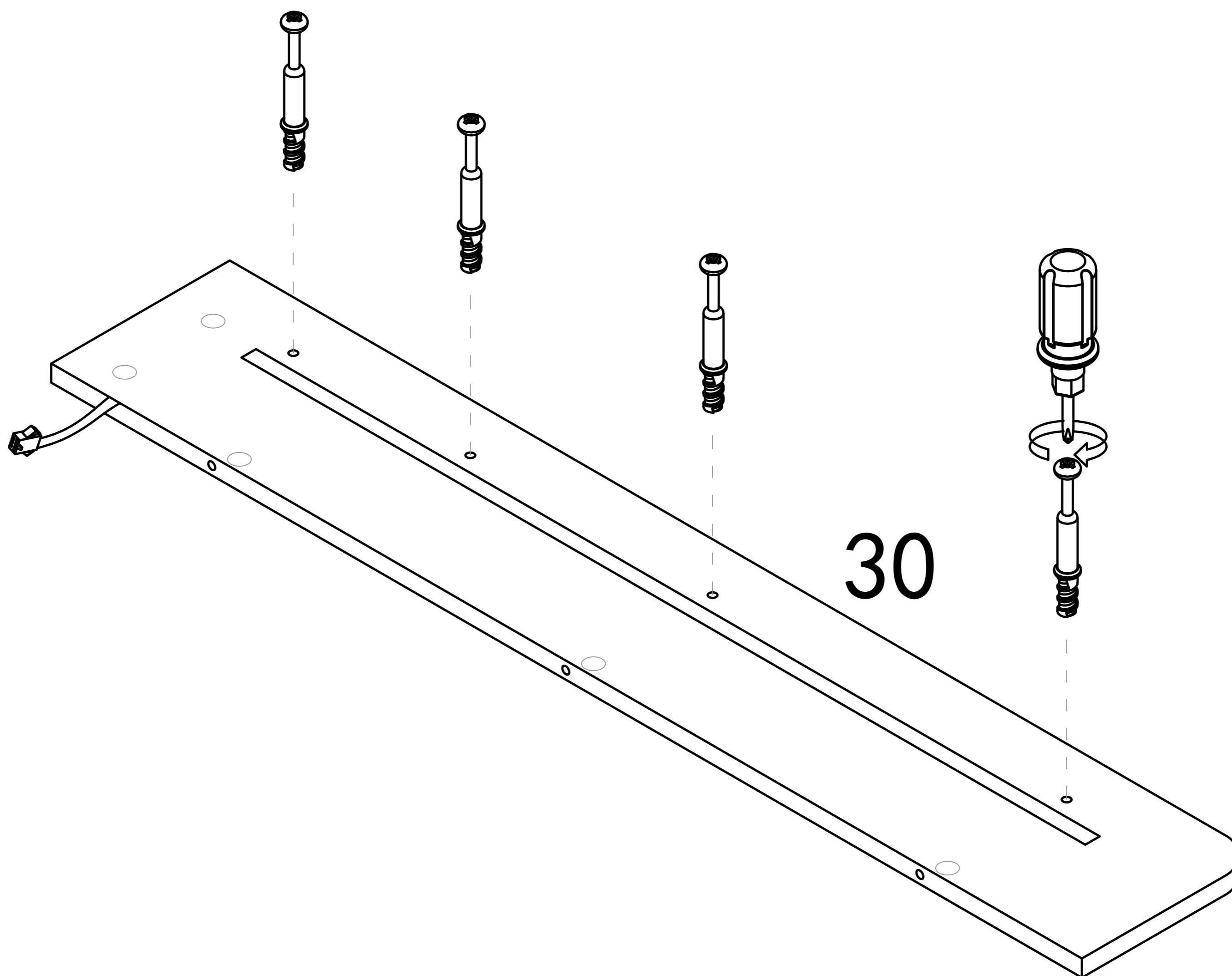
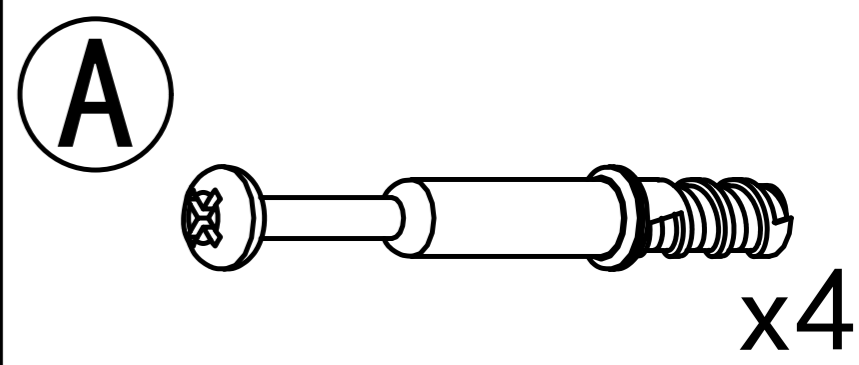


Decorative surface on the same side

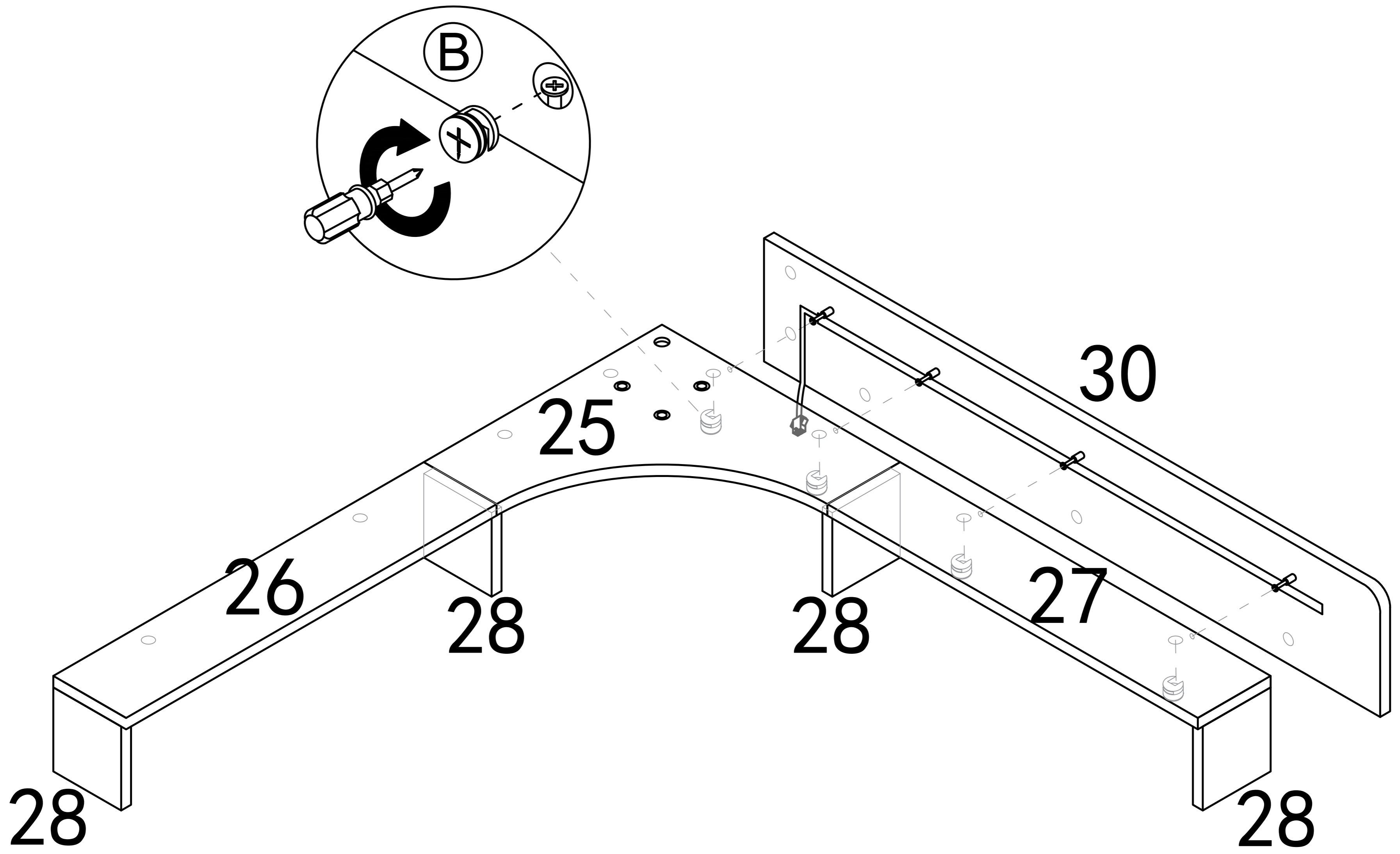
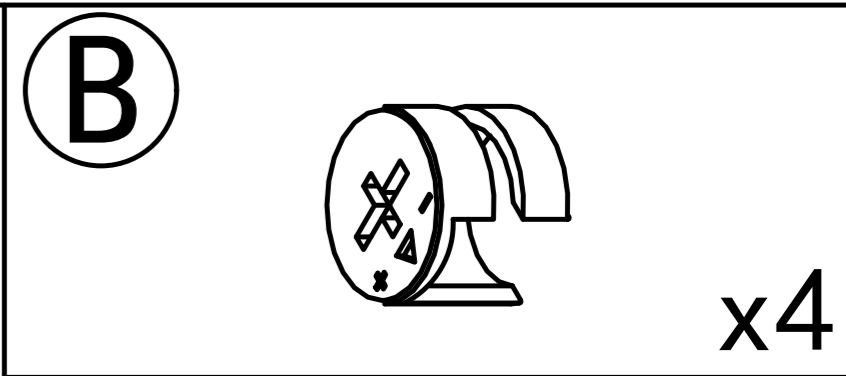
Step 58



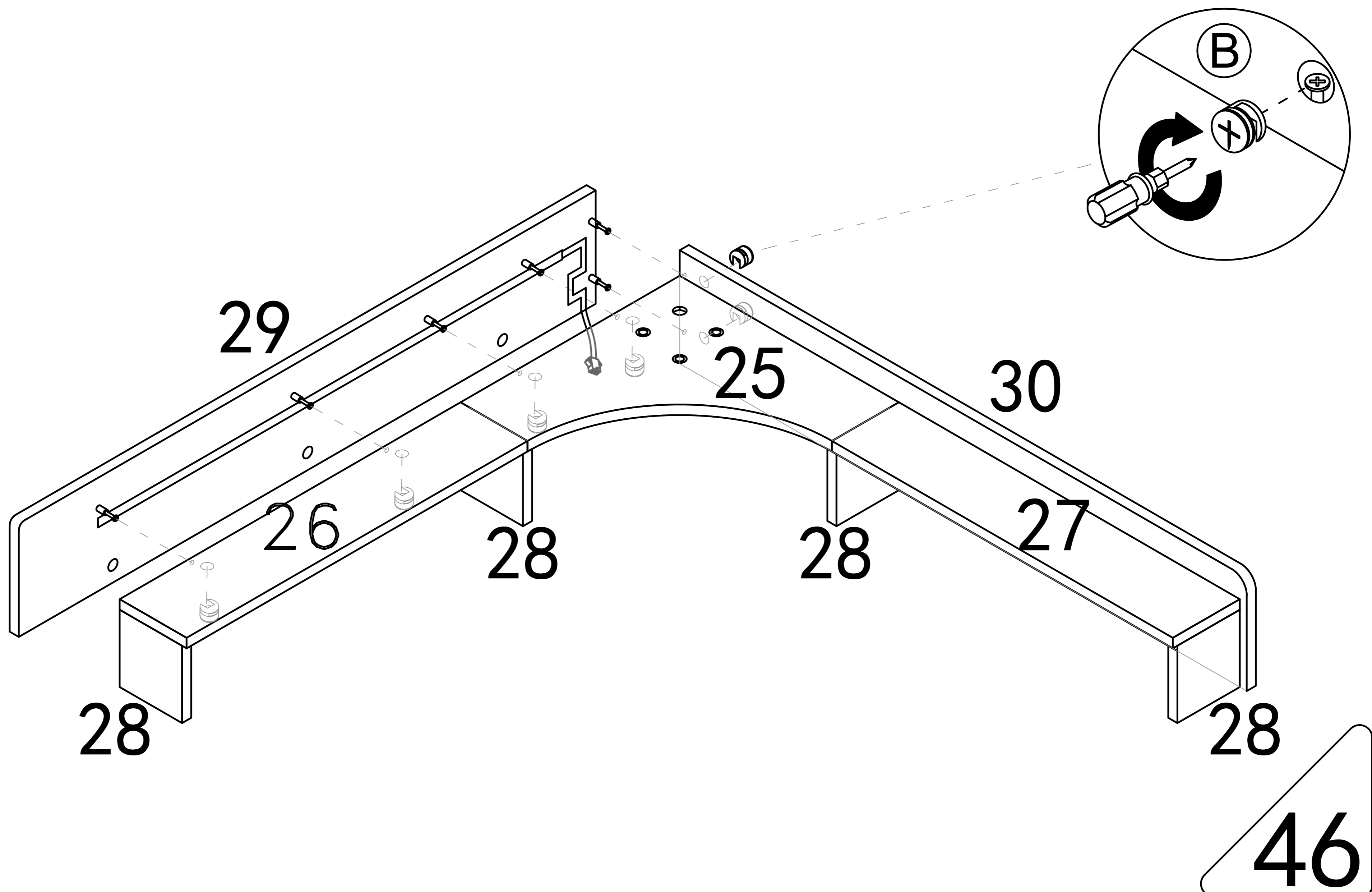
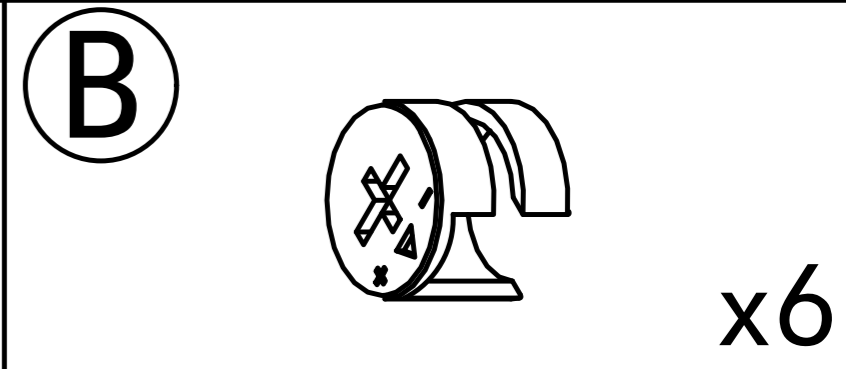
Step 59



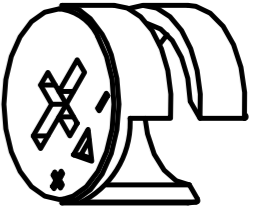
Step 60

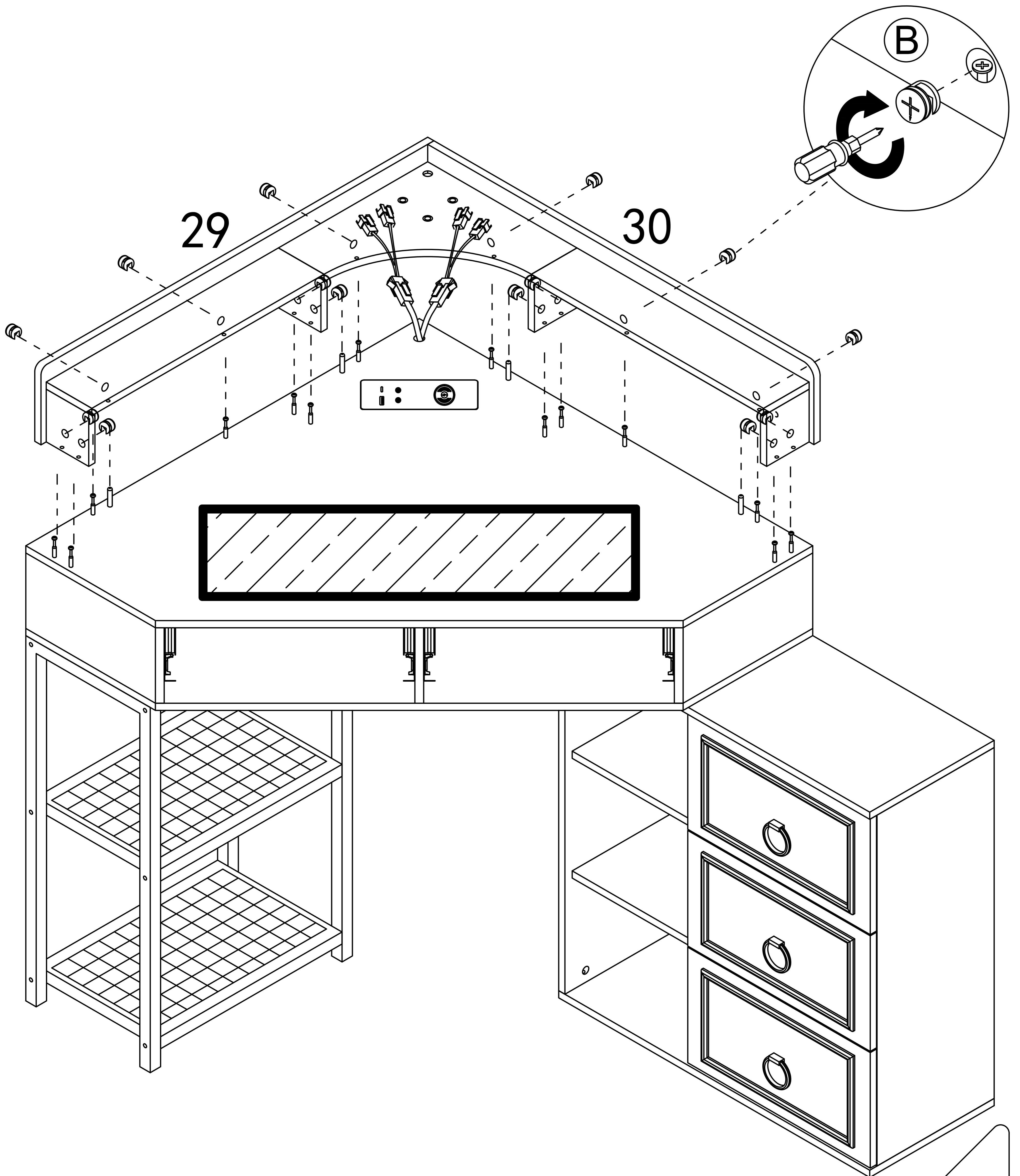


Step 61

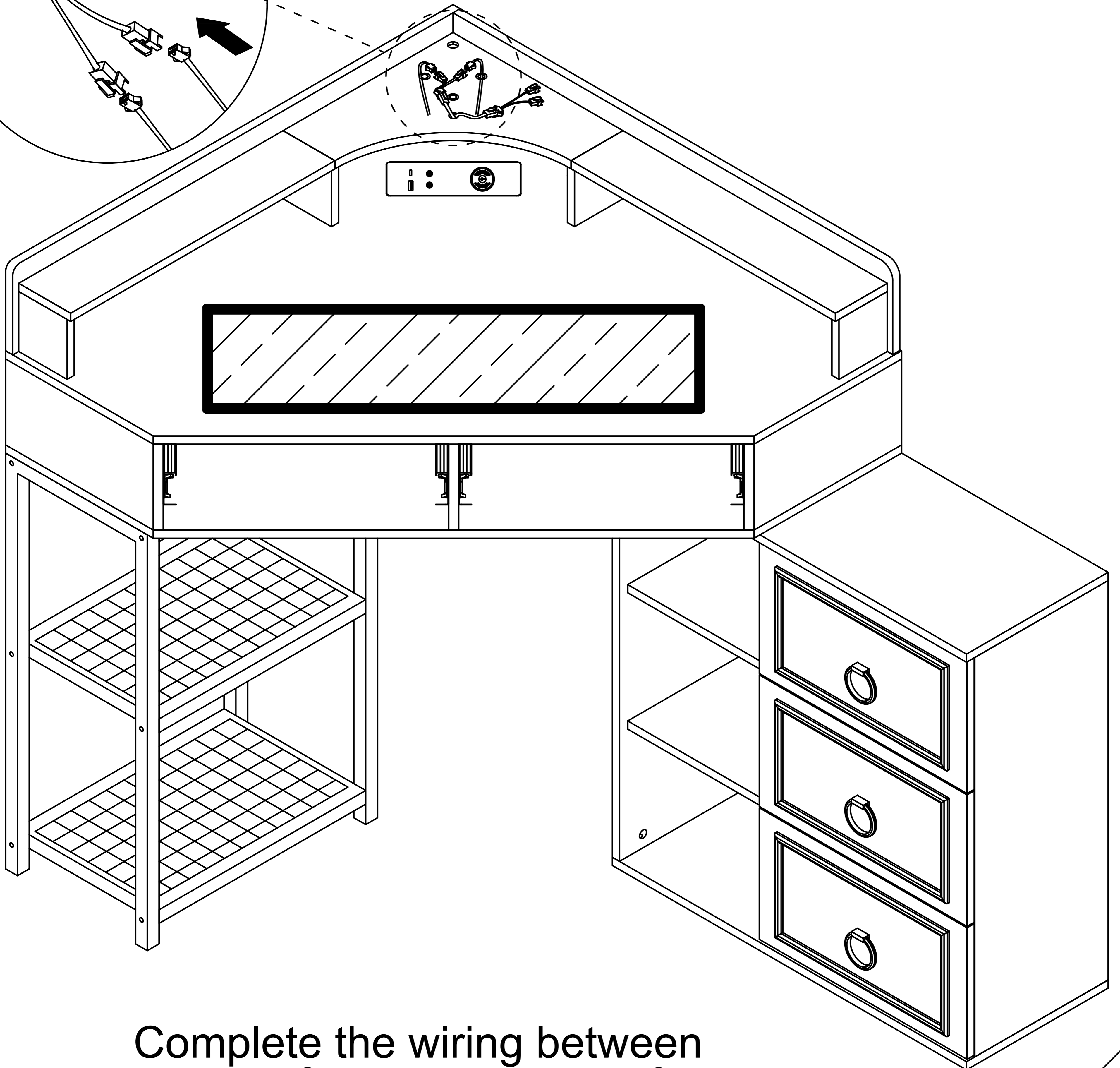
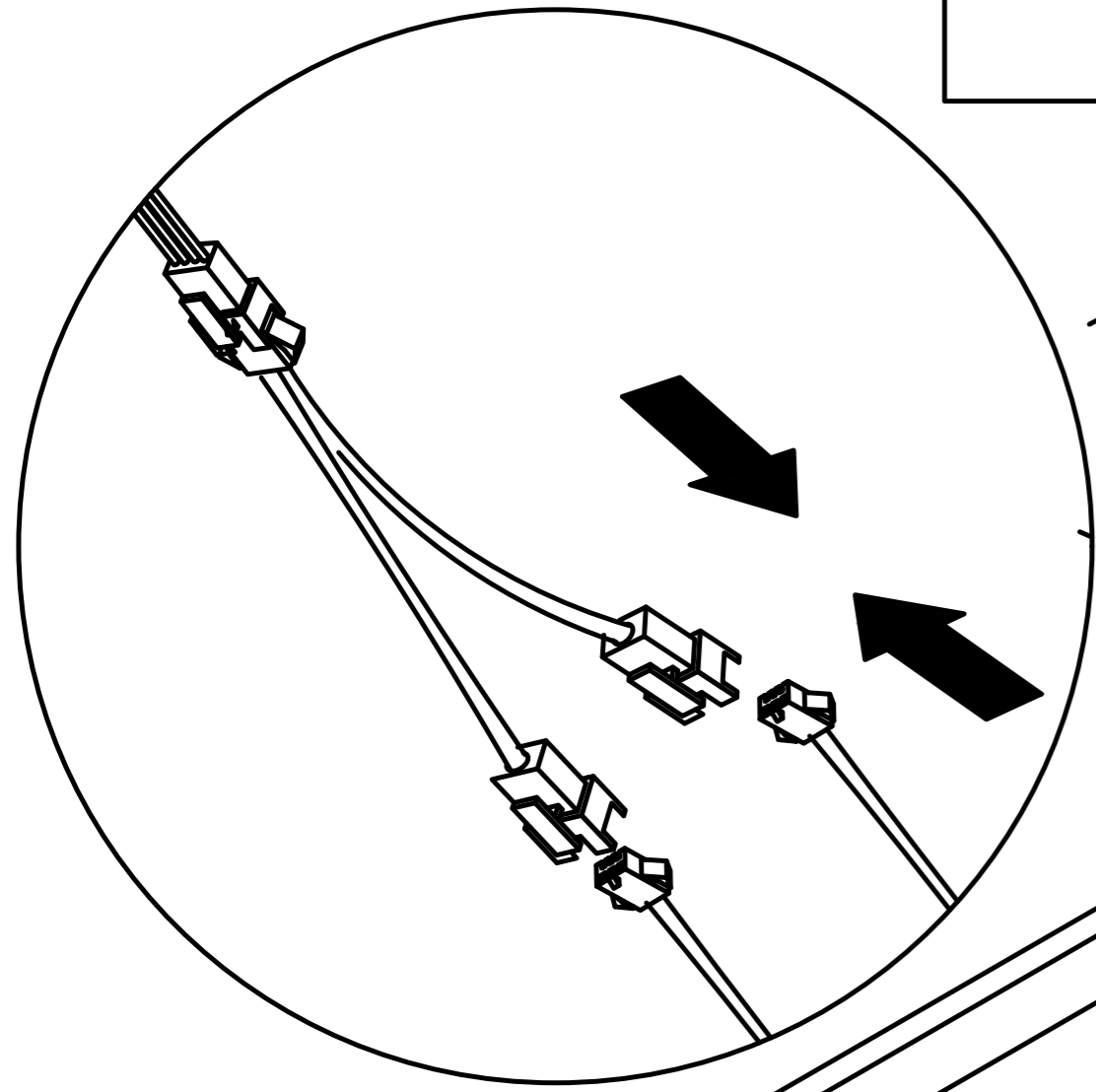
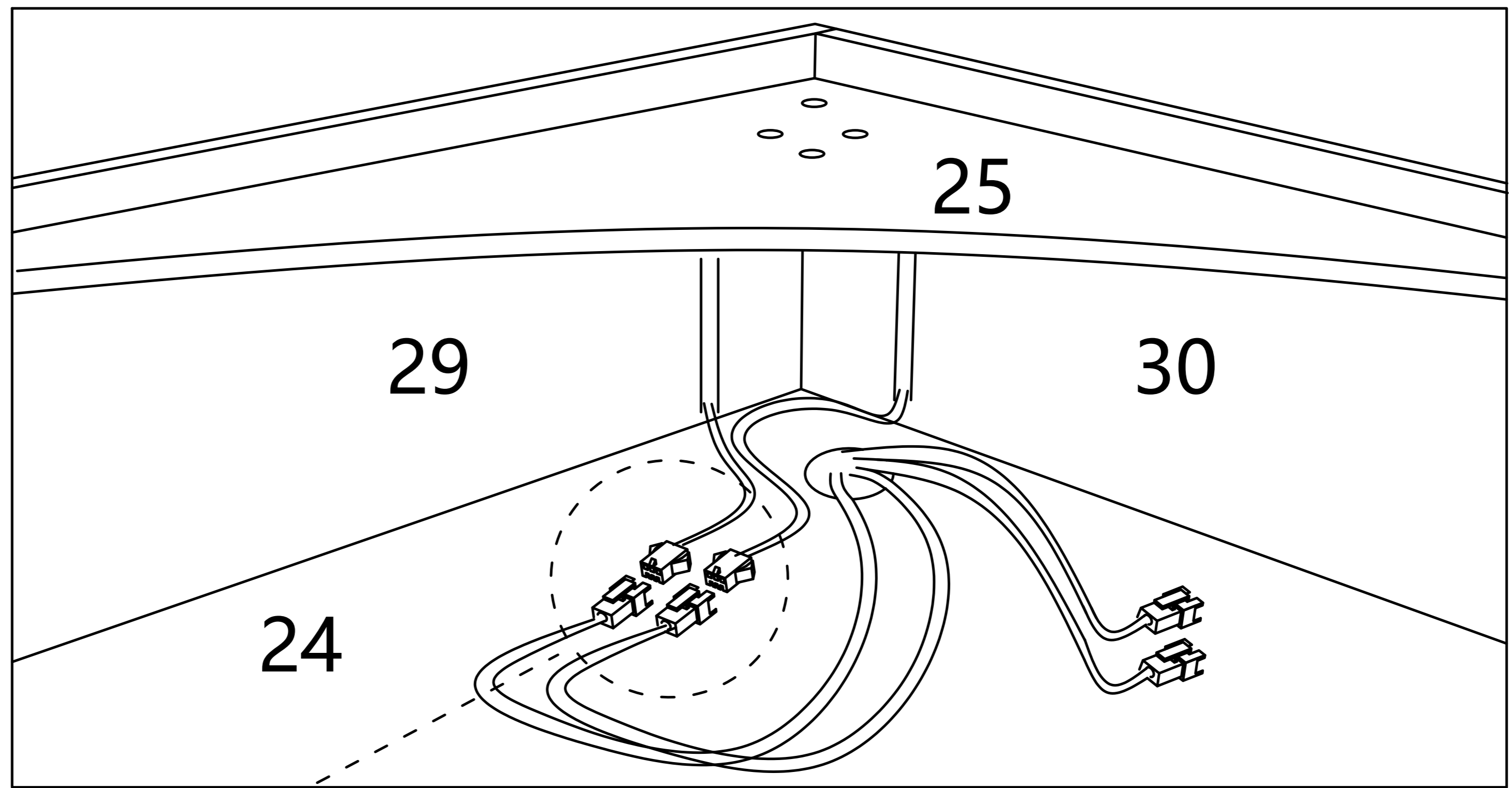


Step 62

B  x14



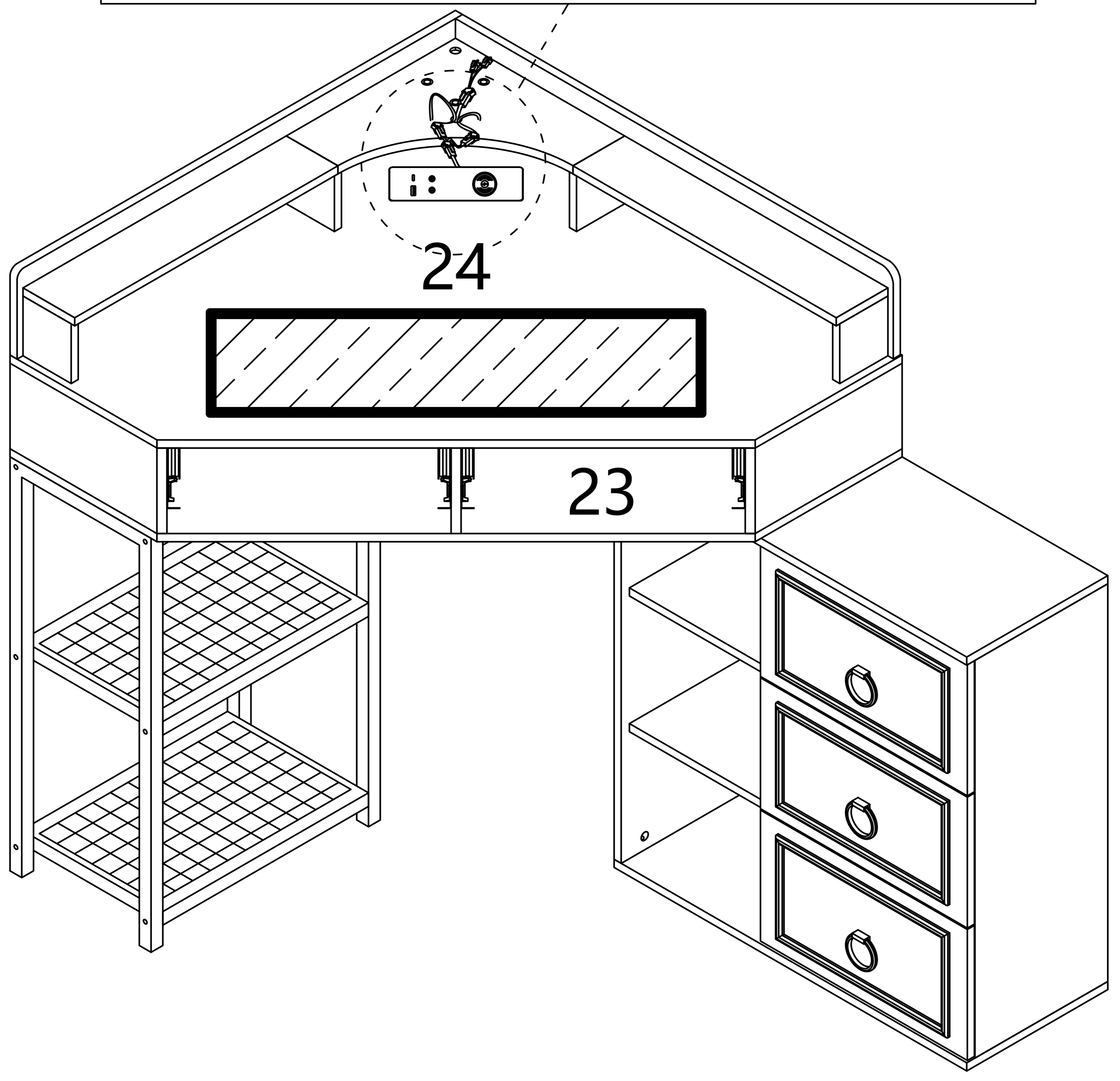
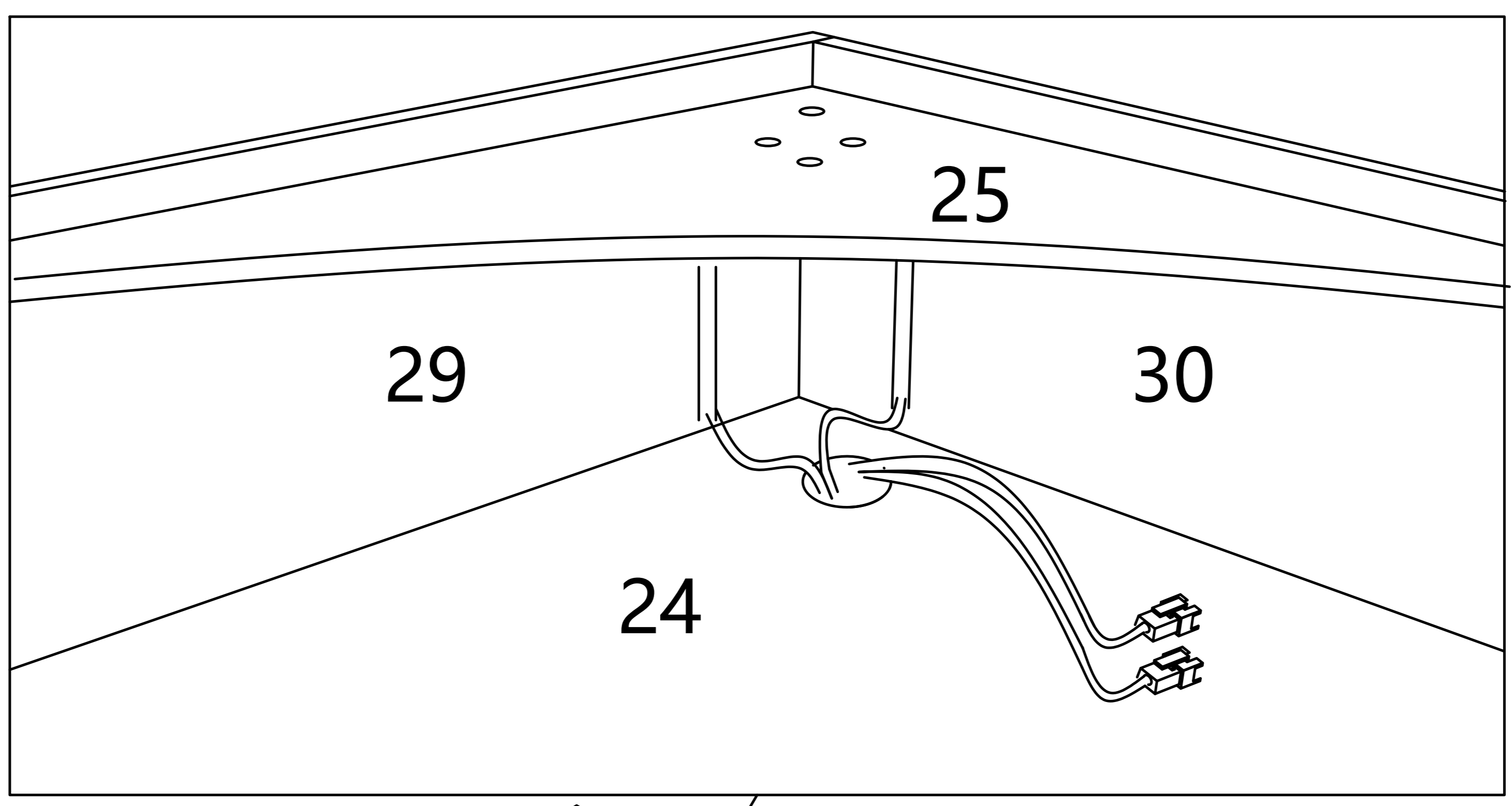
Step 63



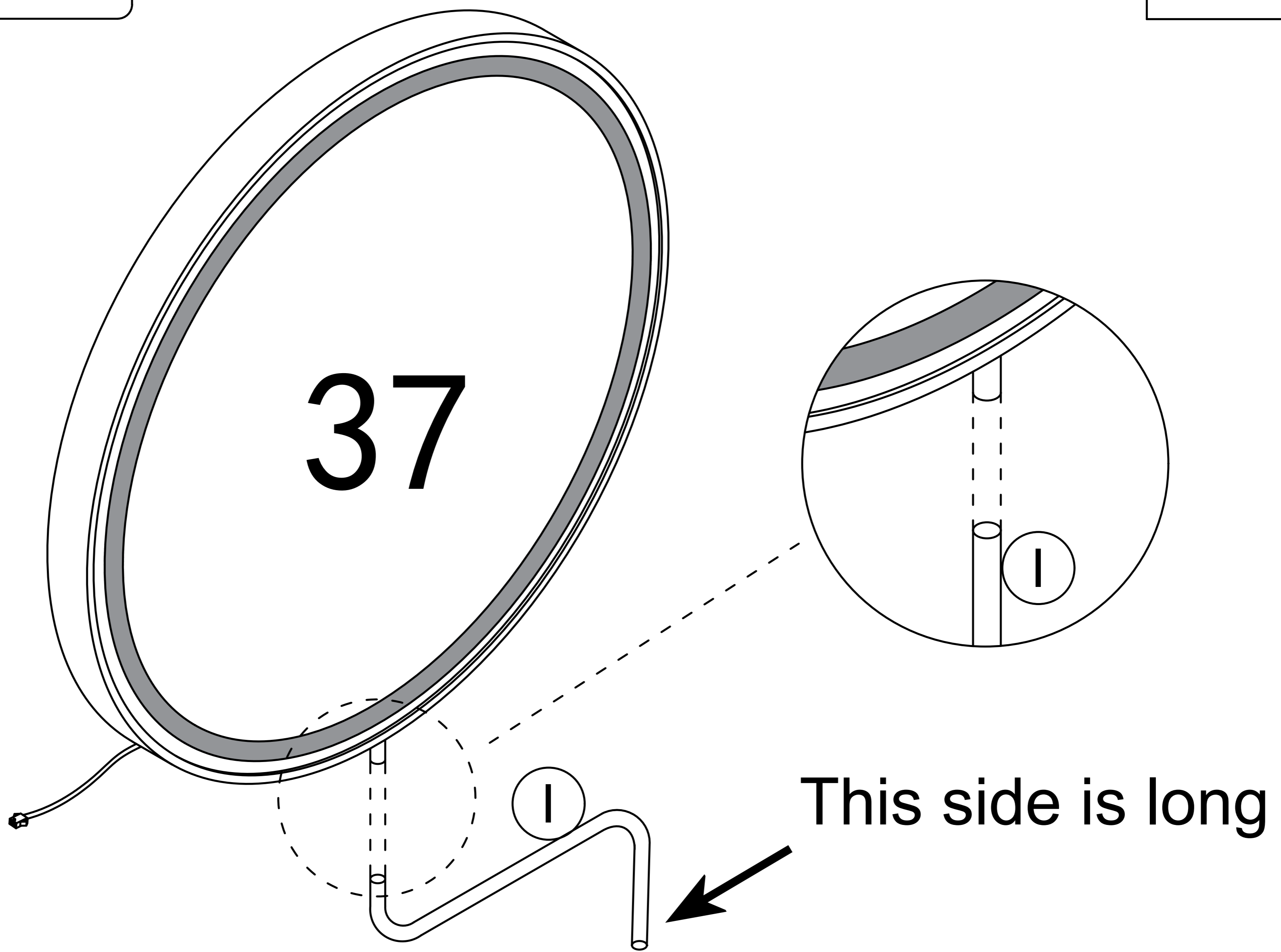
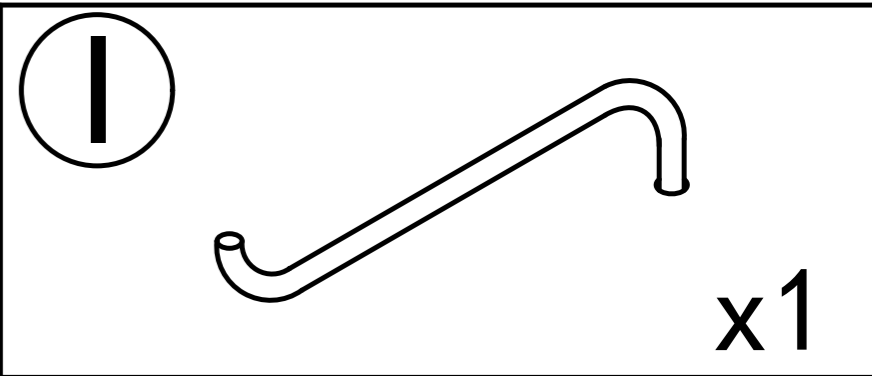
Complete the wiring between board NO.24 and board NO.25

Step 64

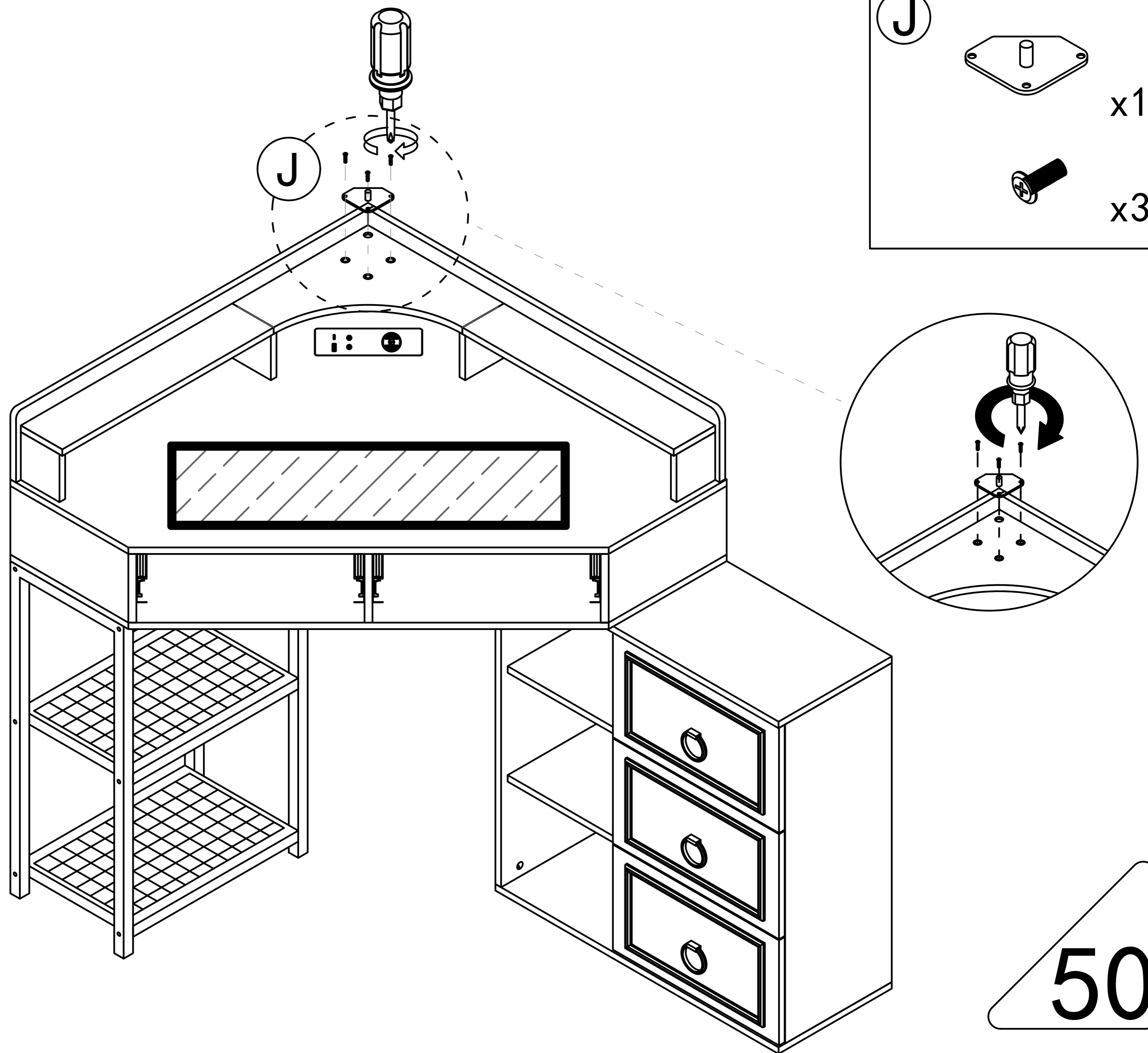
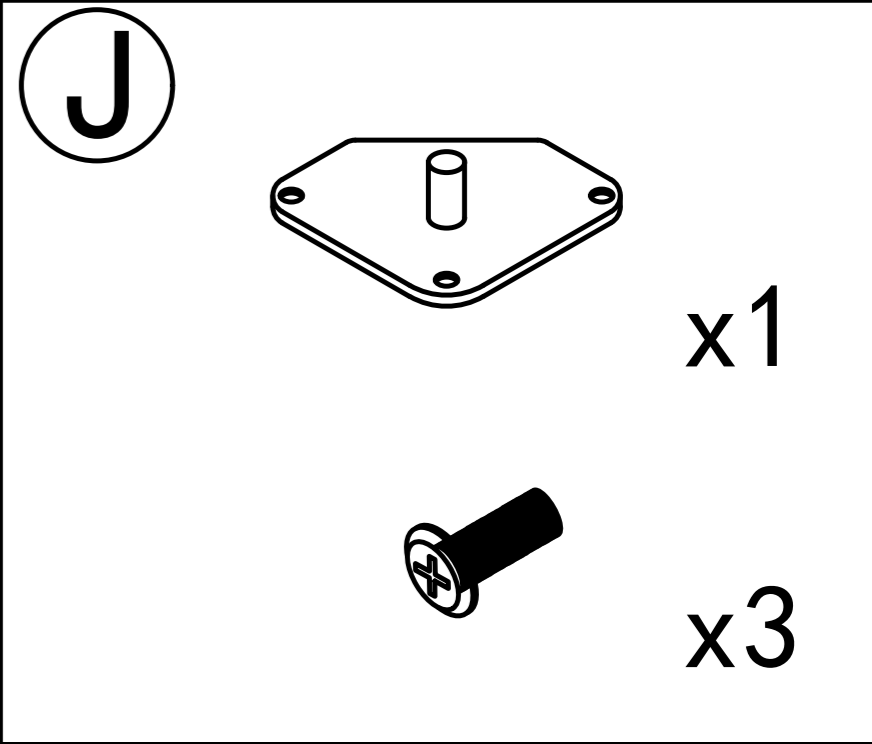
Pass the matched wires through the circular holes of board 24 in sequence and place them between board 23 and board 24



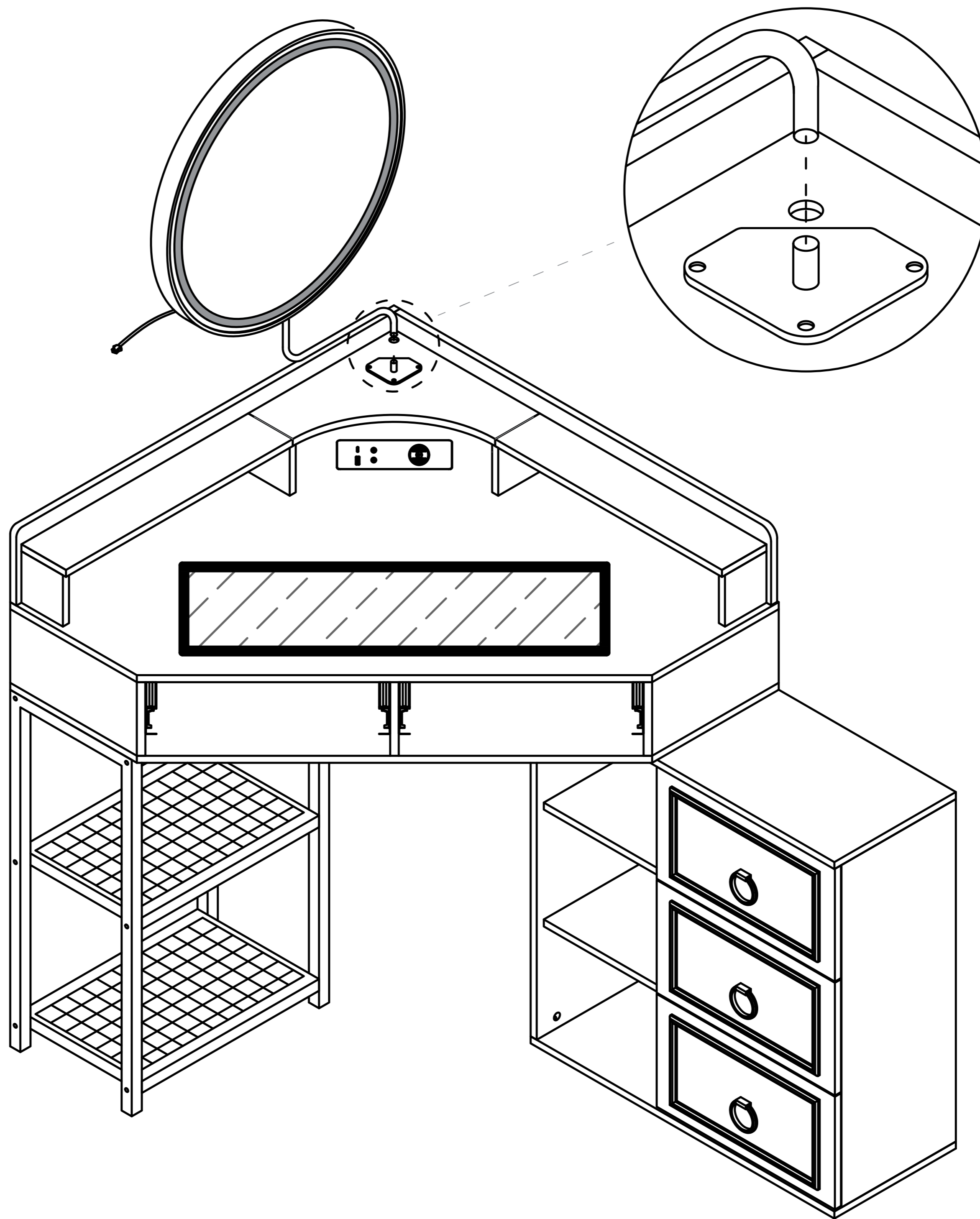
Step 65



Step 66



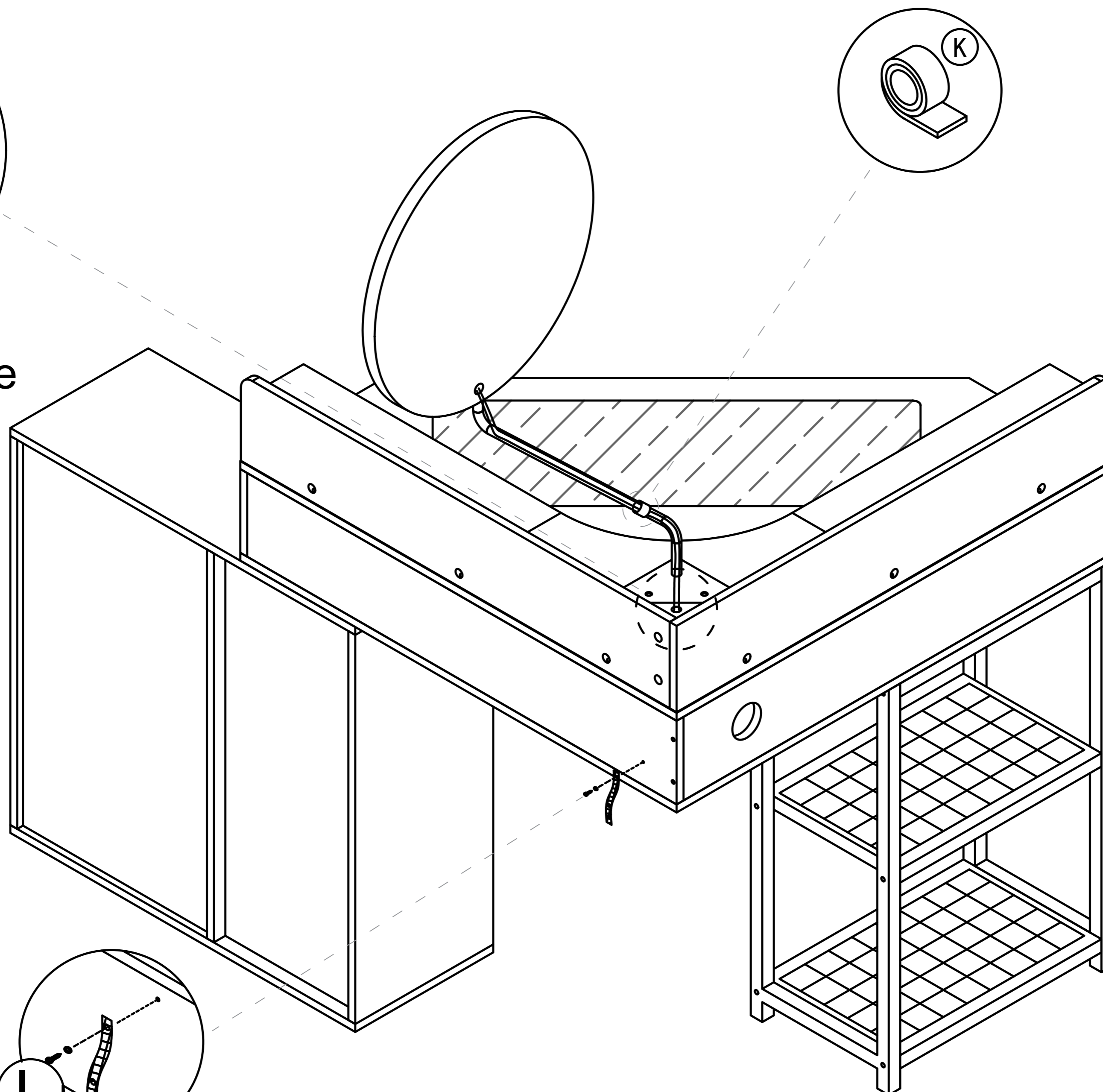
Step 67

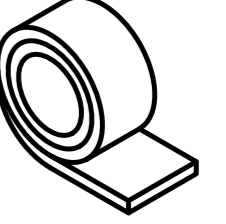
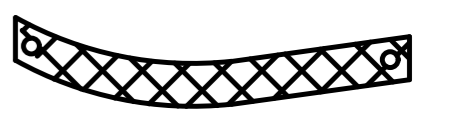
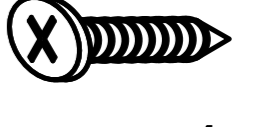



Step 68

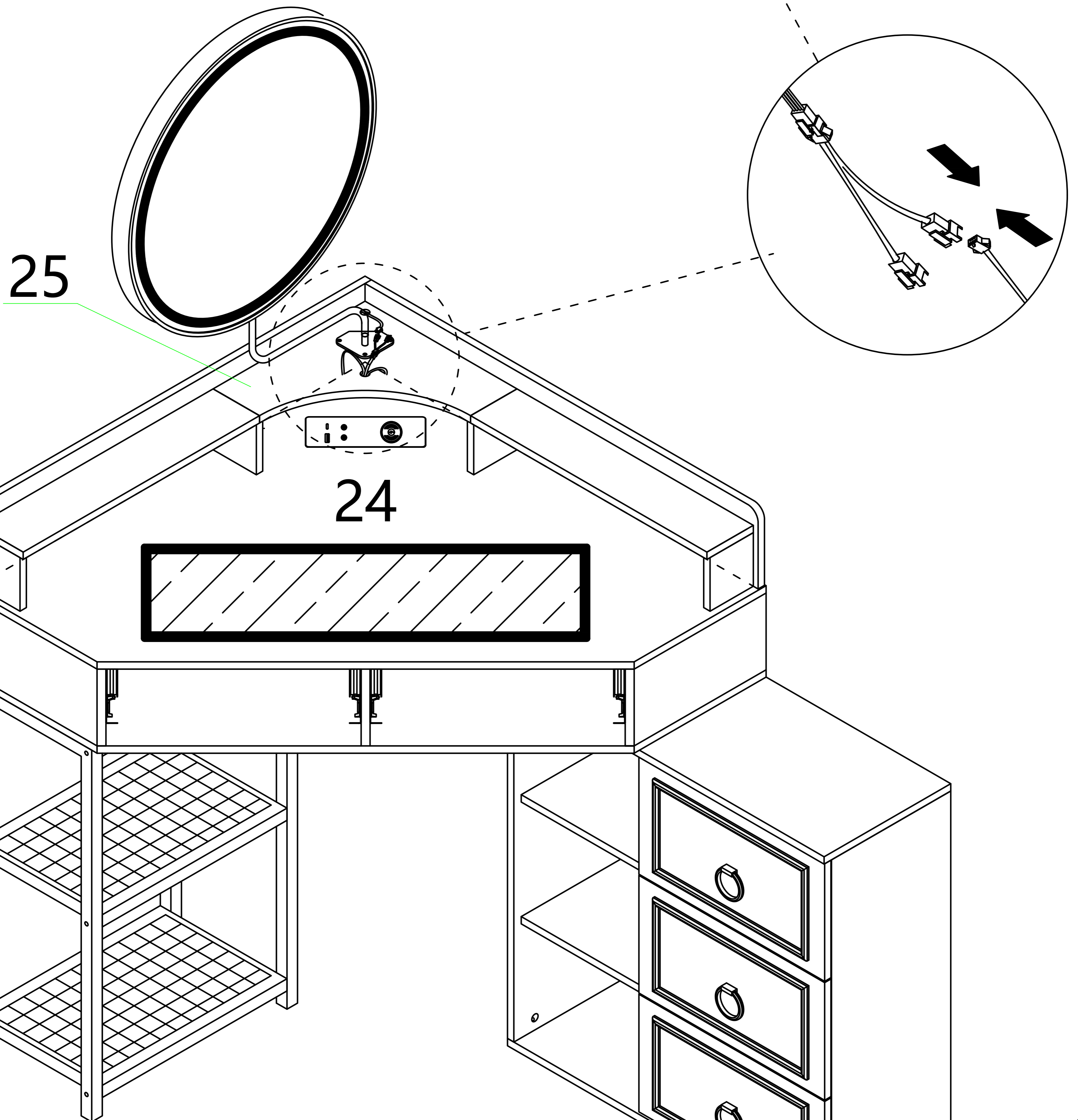
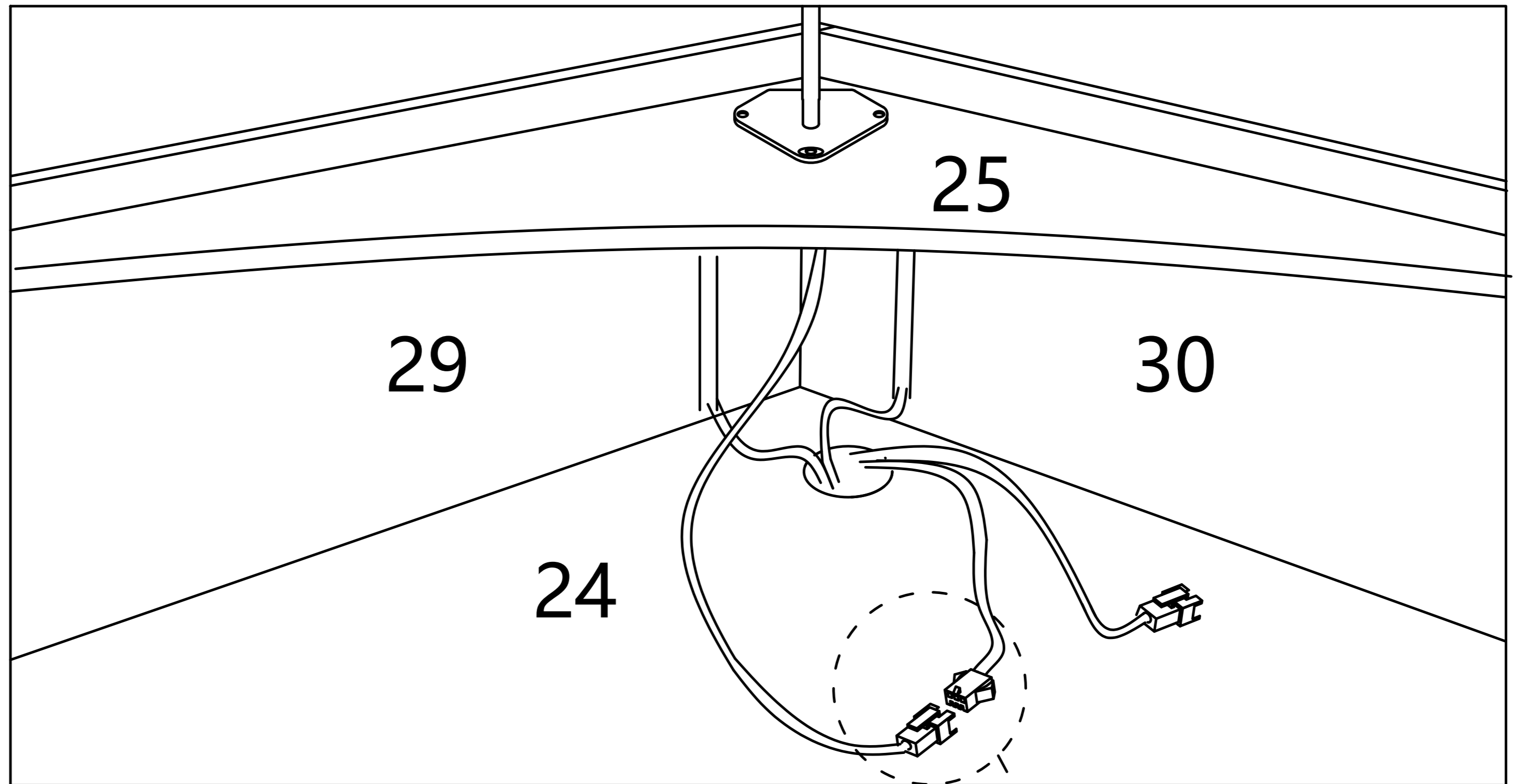
Tie the thread behind the mirror to the top of the ① piece

Thread the line through the hole



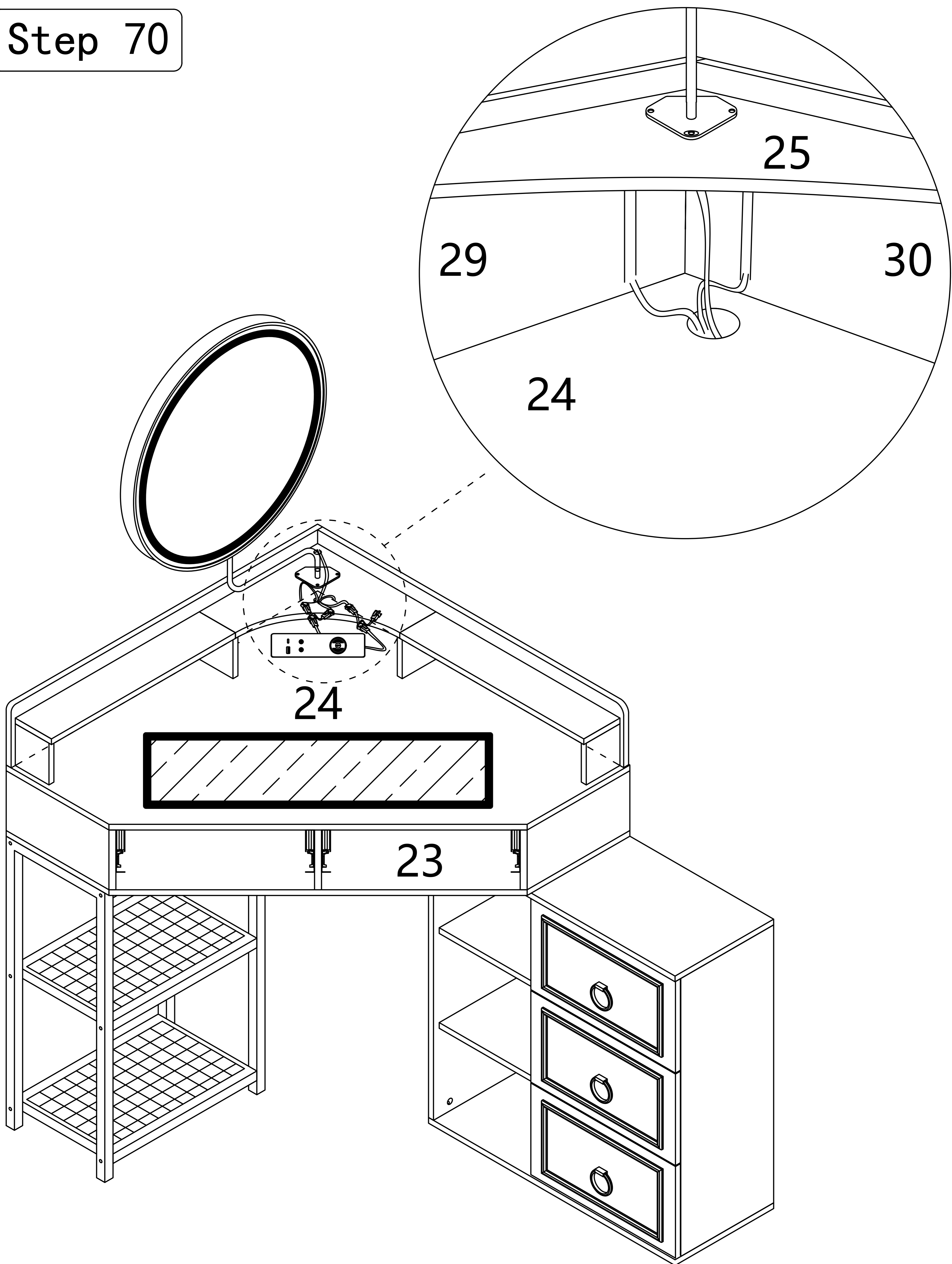
- (K)  x2
- (L)  x1
-  x1 

Step 69



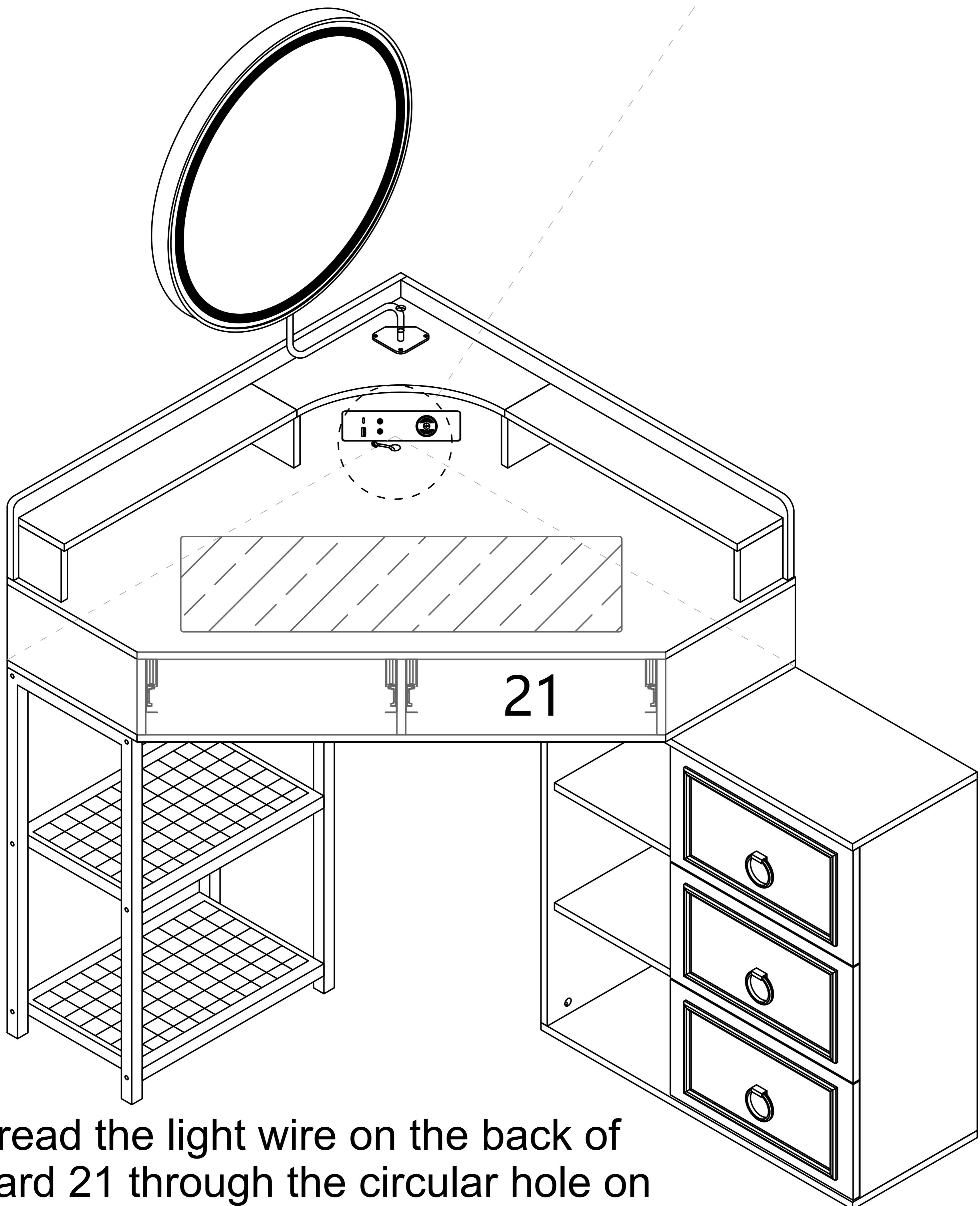
Complete the wiring between board NO.24 and board NO.25

Step 70



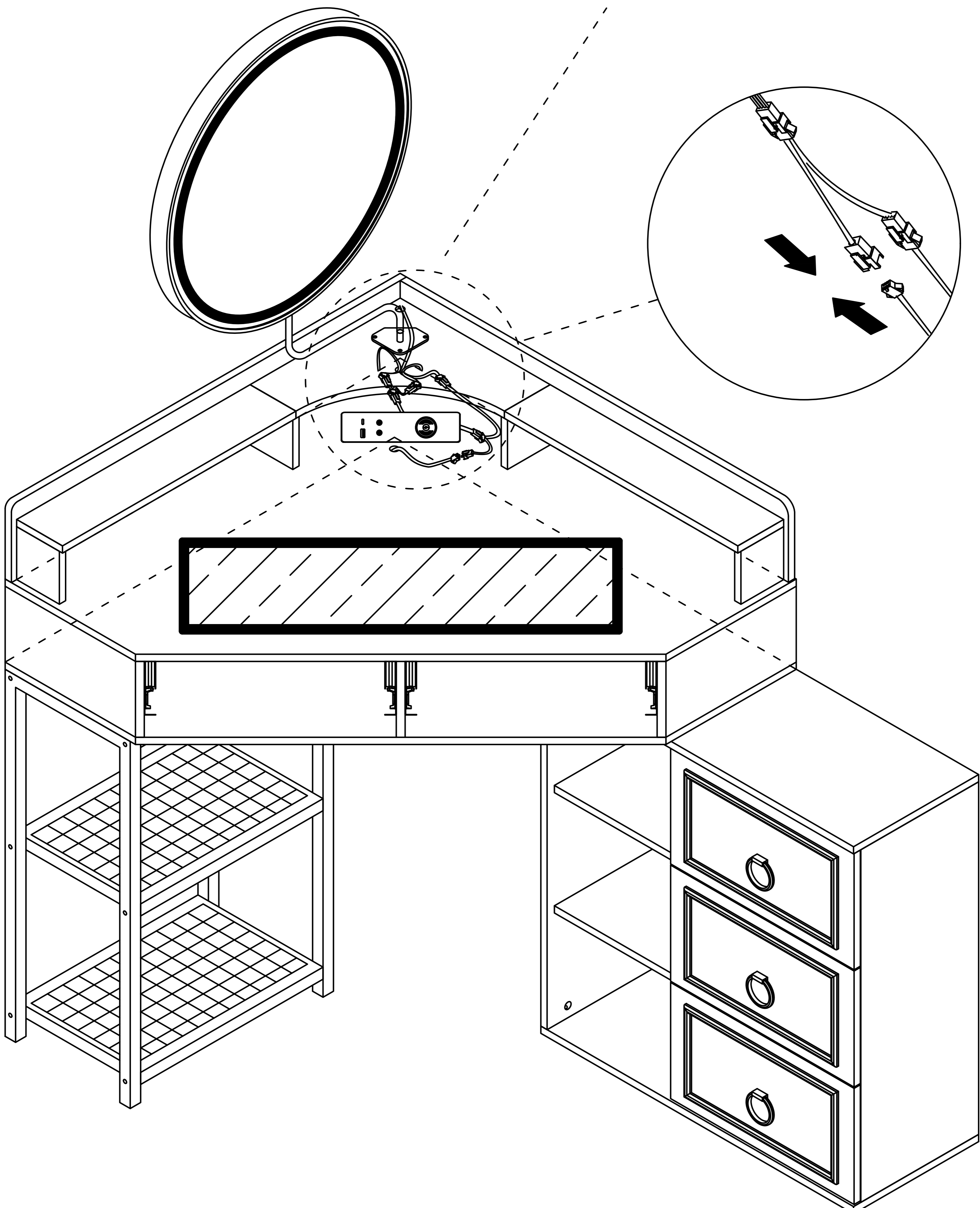
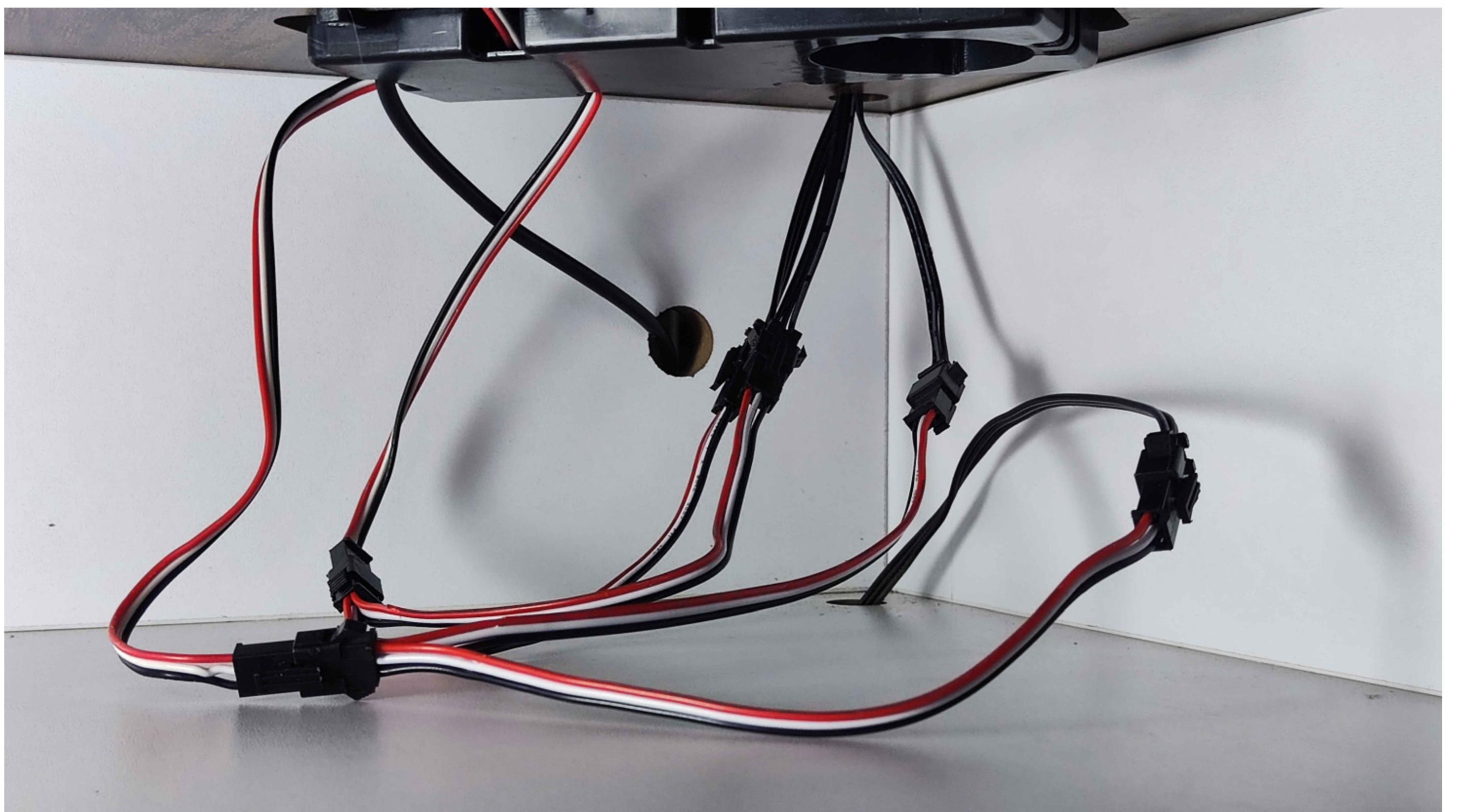
Pass the matched wires through the circular holes of board 24 in sequence and place them between board 23 and board 24

Step 71



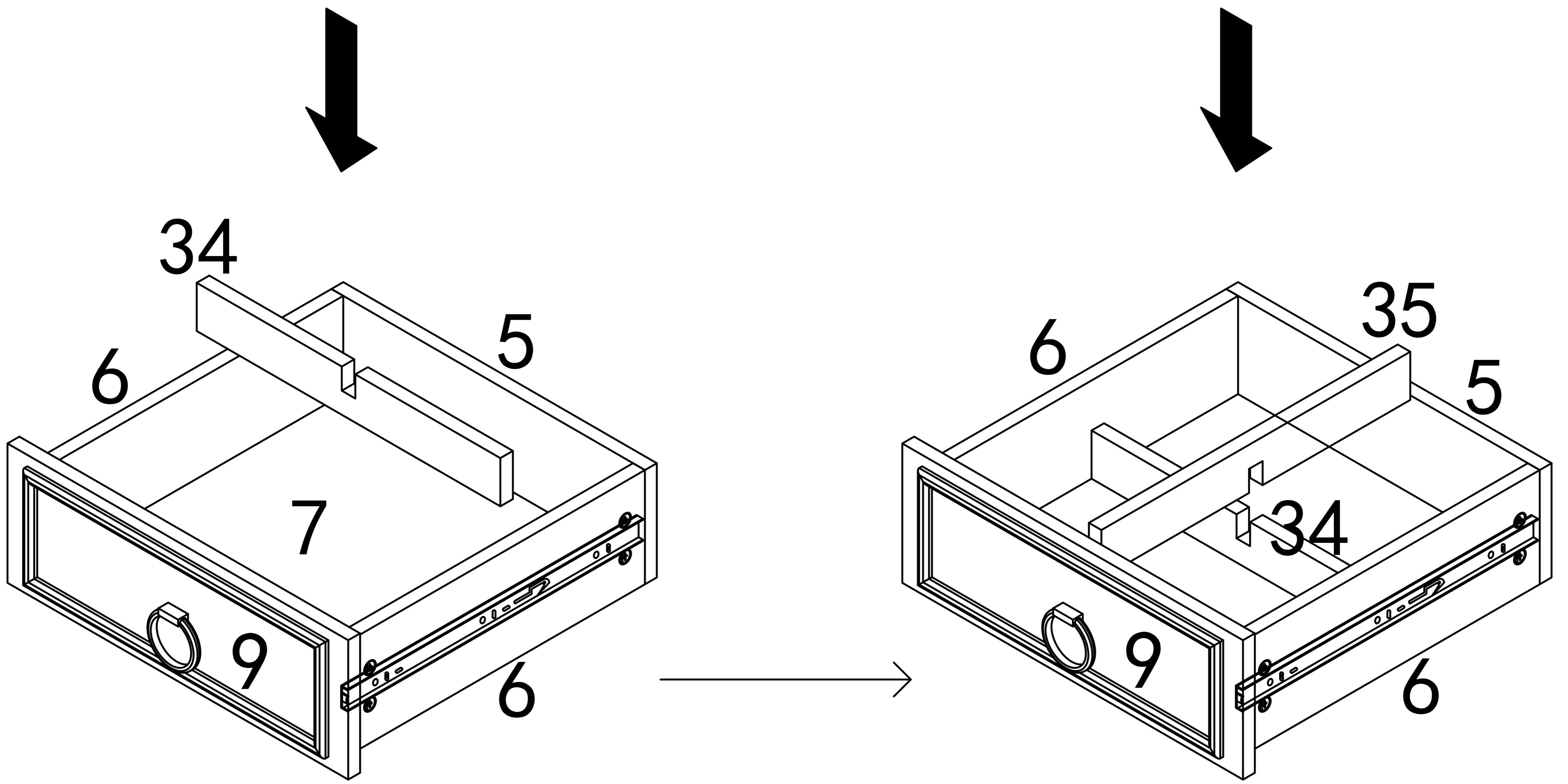
Thread the light wire on the back of board 21 through the circular hole on board 21 and place it inside the dressing table

Step 72

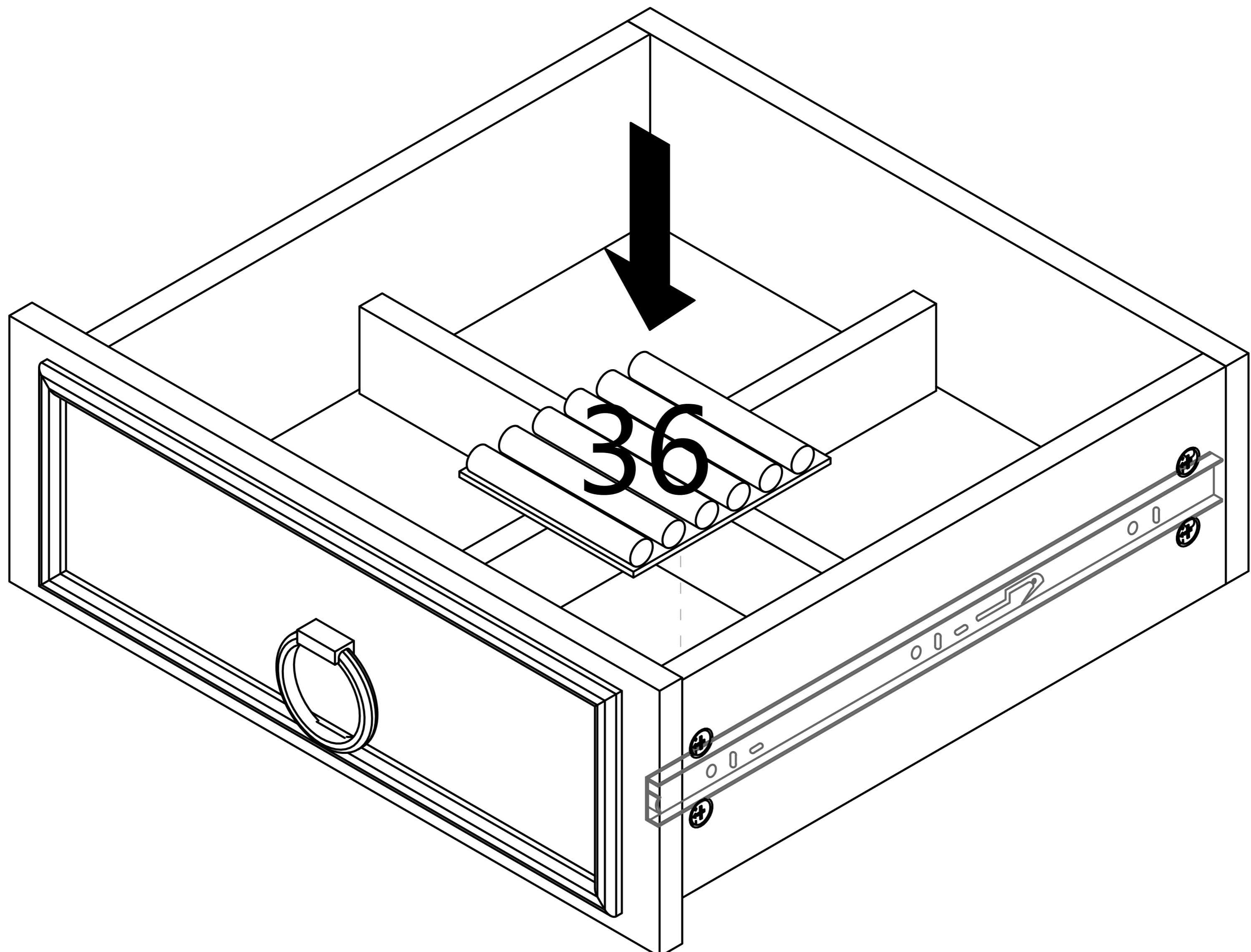


Connect the light wire between board 23 and board 24

Step 73



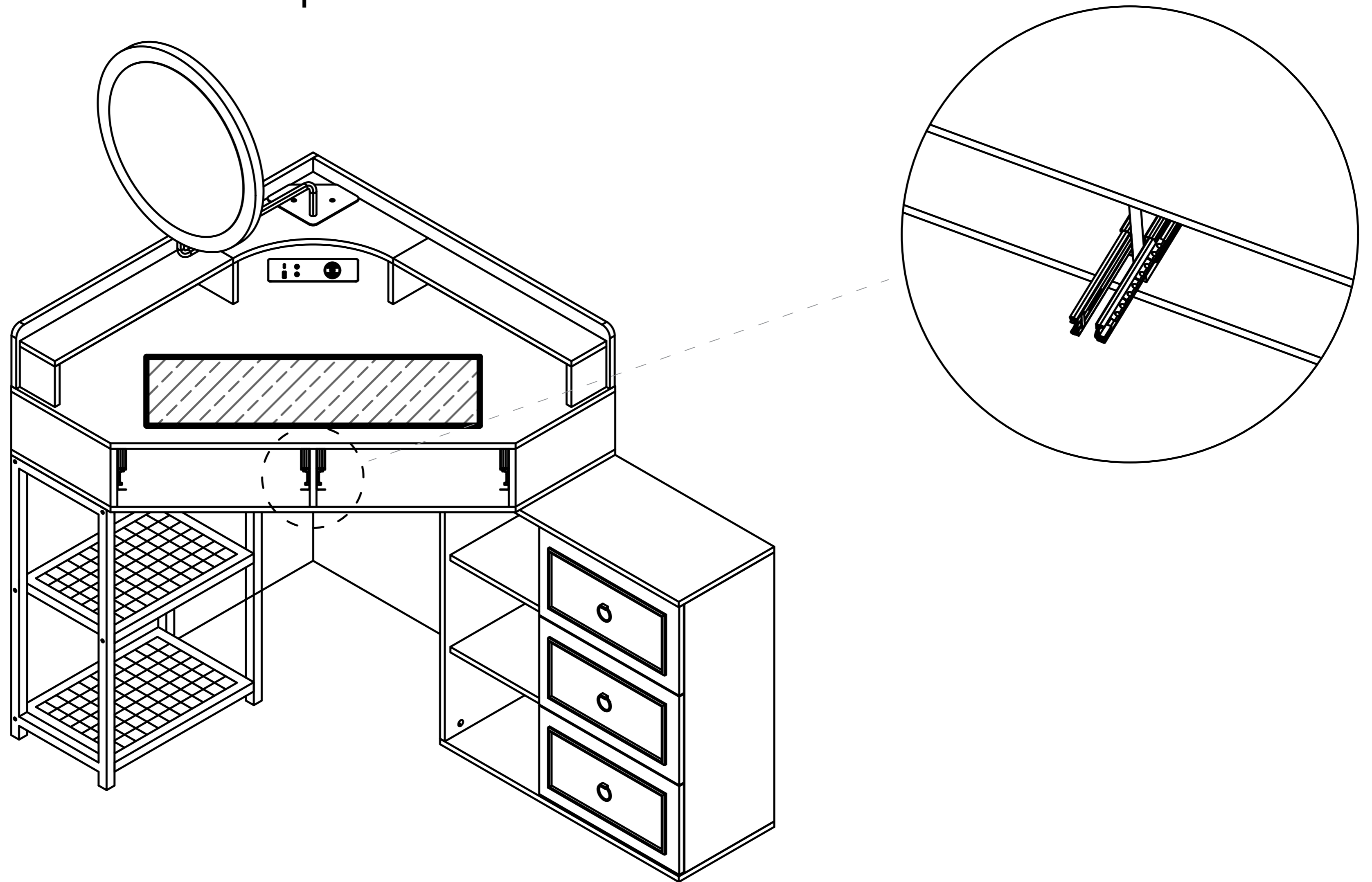
Step 74



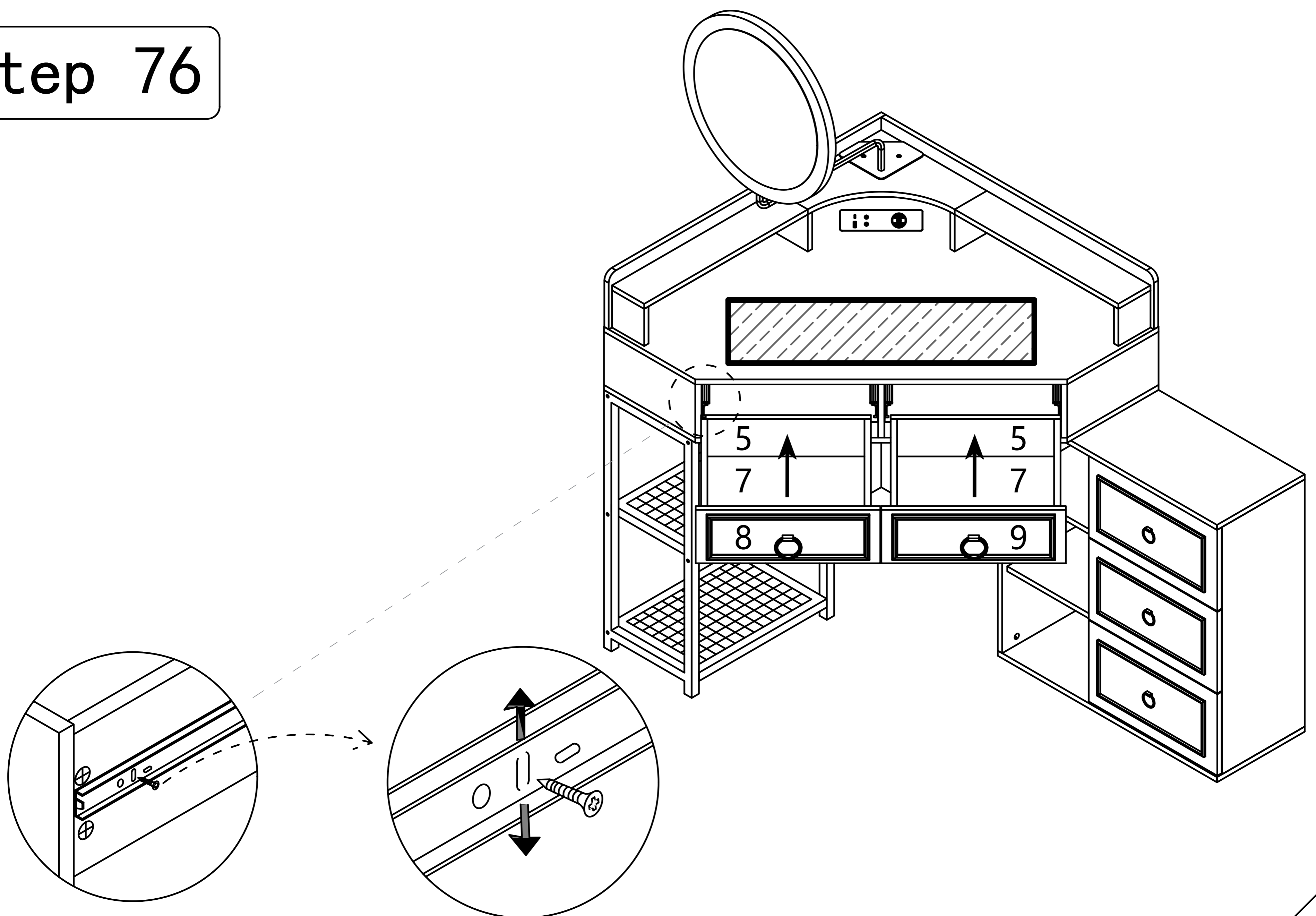
Step 75



As shown, When installing the drawerpull the guide rail out first, Slide beads are also pulled out.

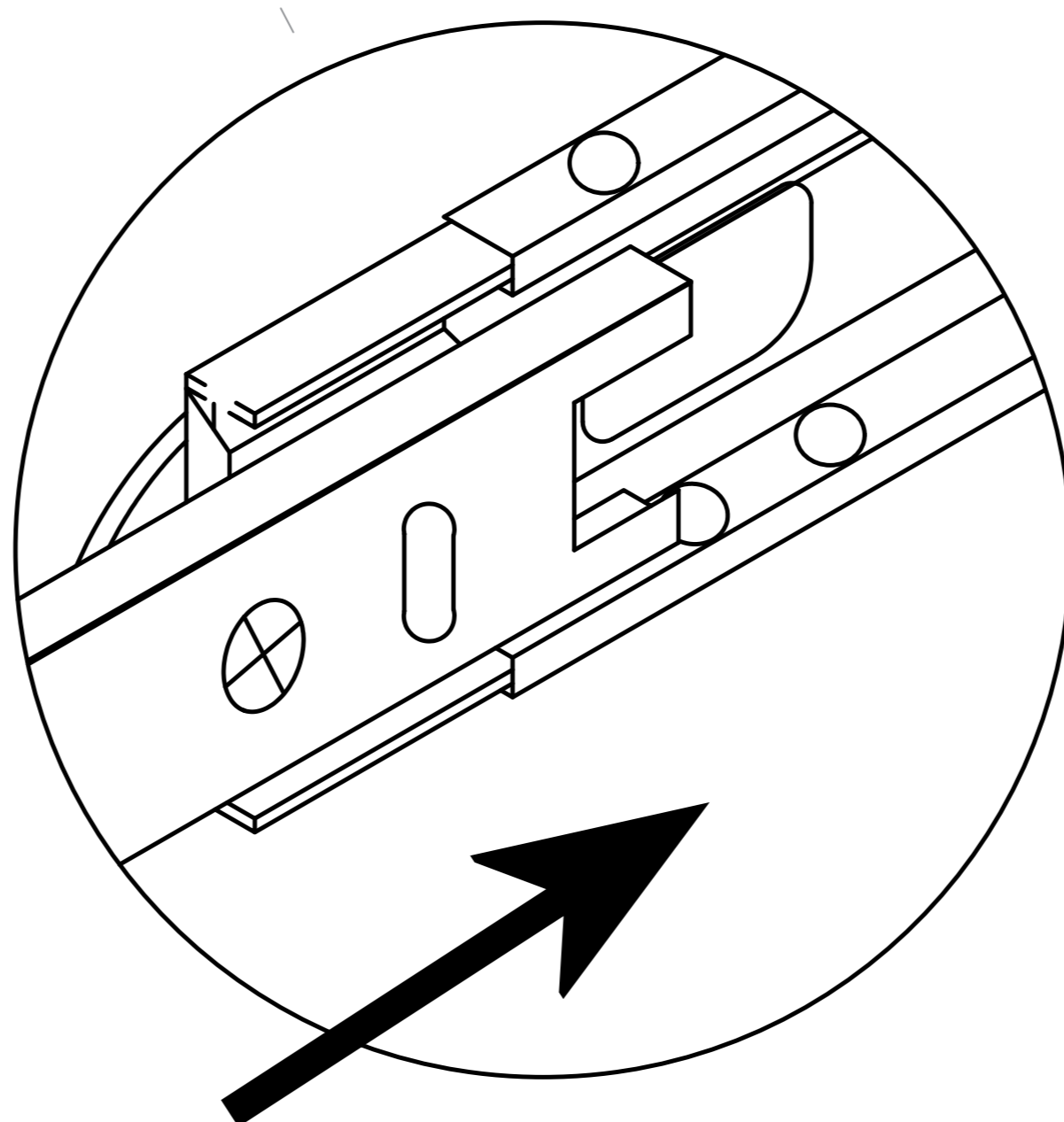
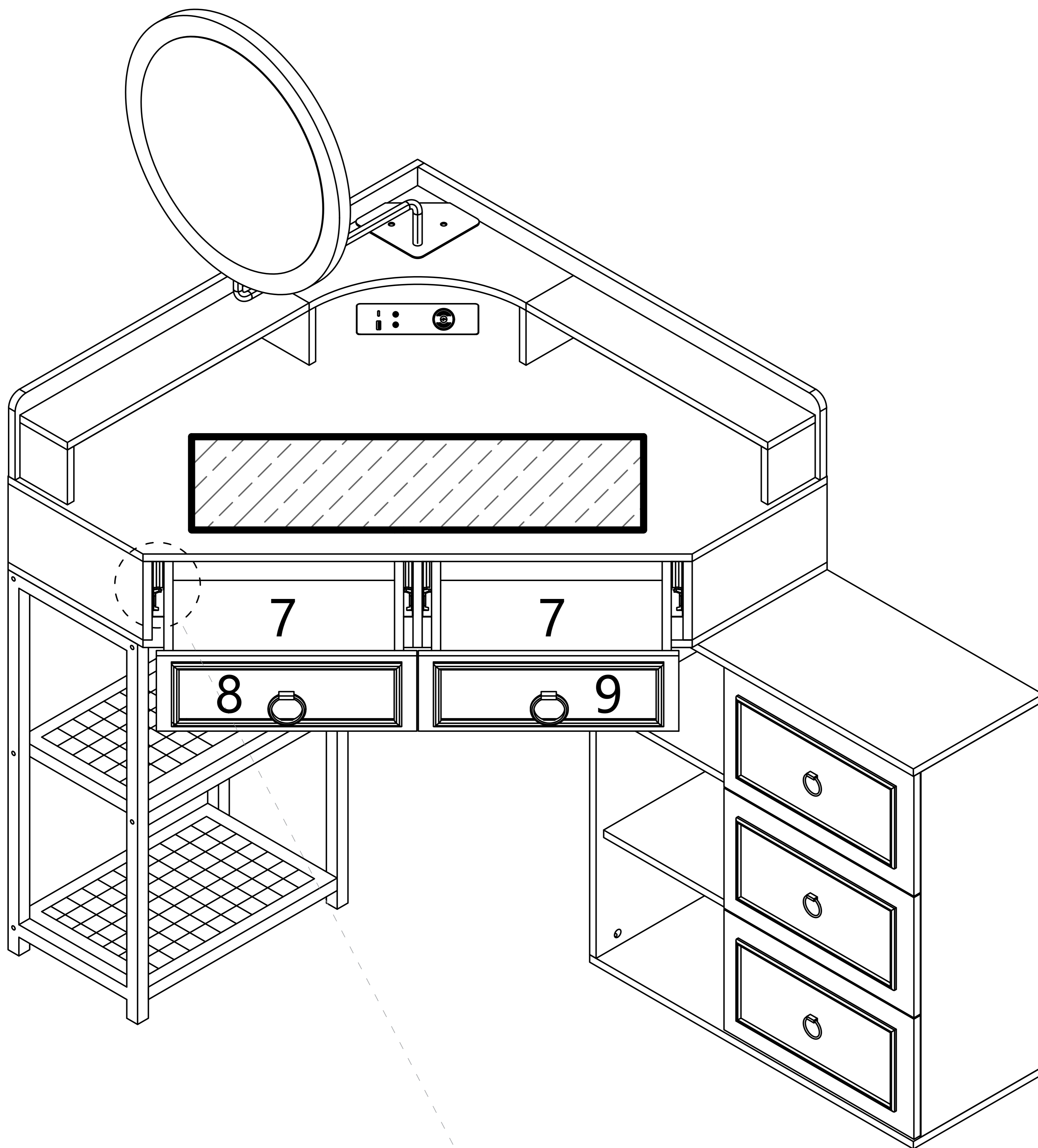


Step 76



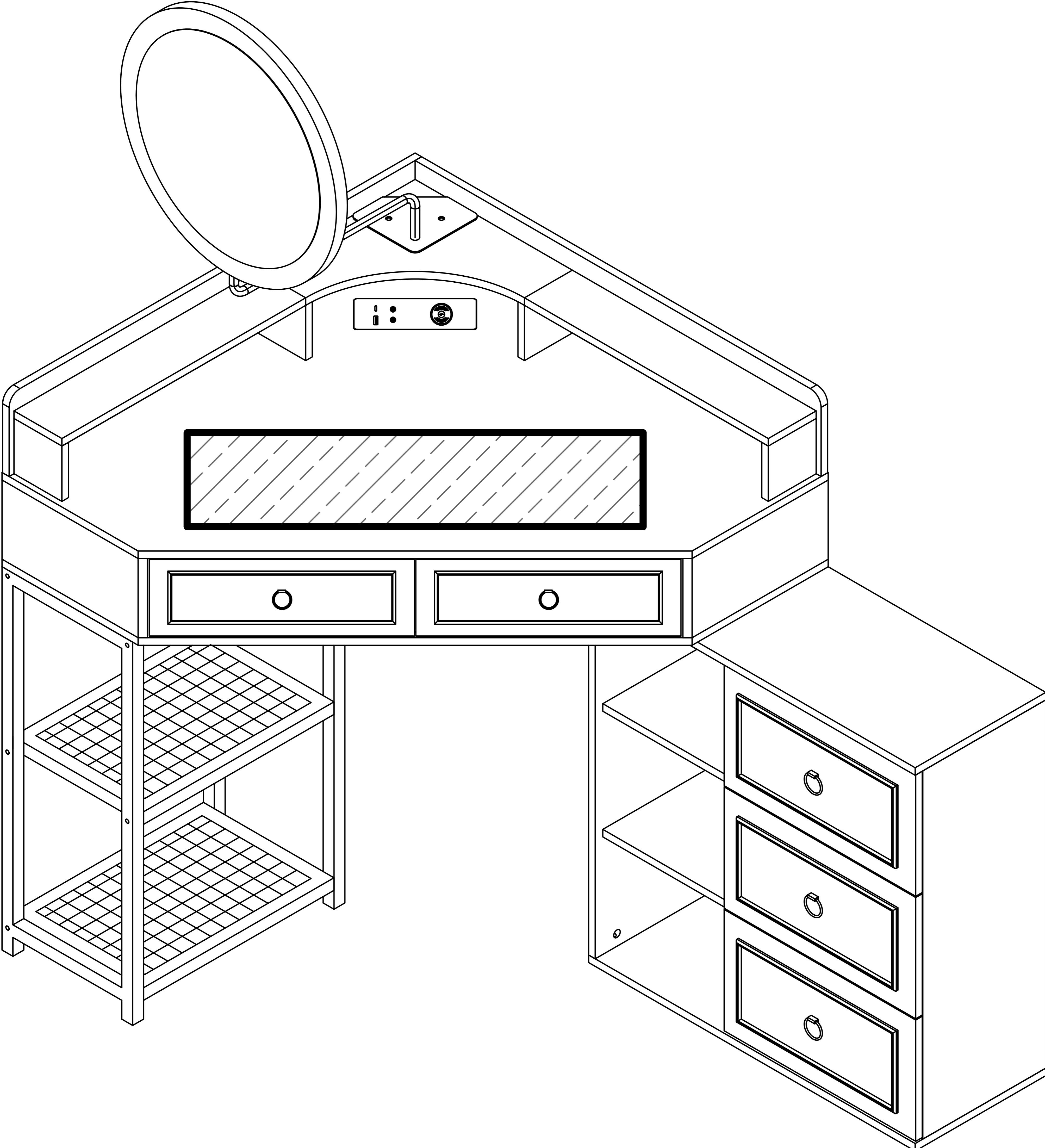
If a large gap is found after installing the drawer the slide rail can be moved up and down to adjust the gap.

Step 77

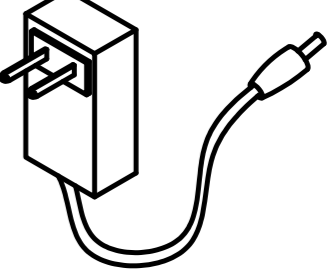


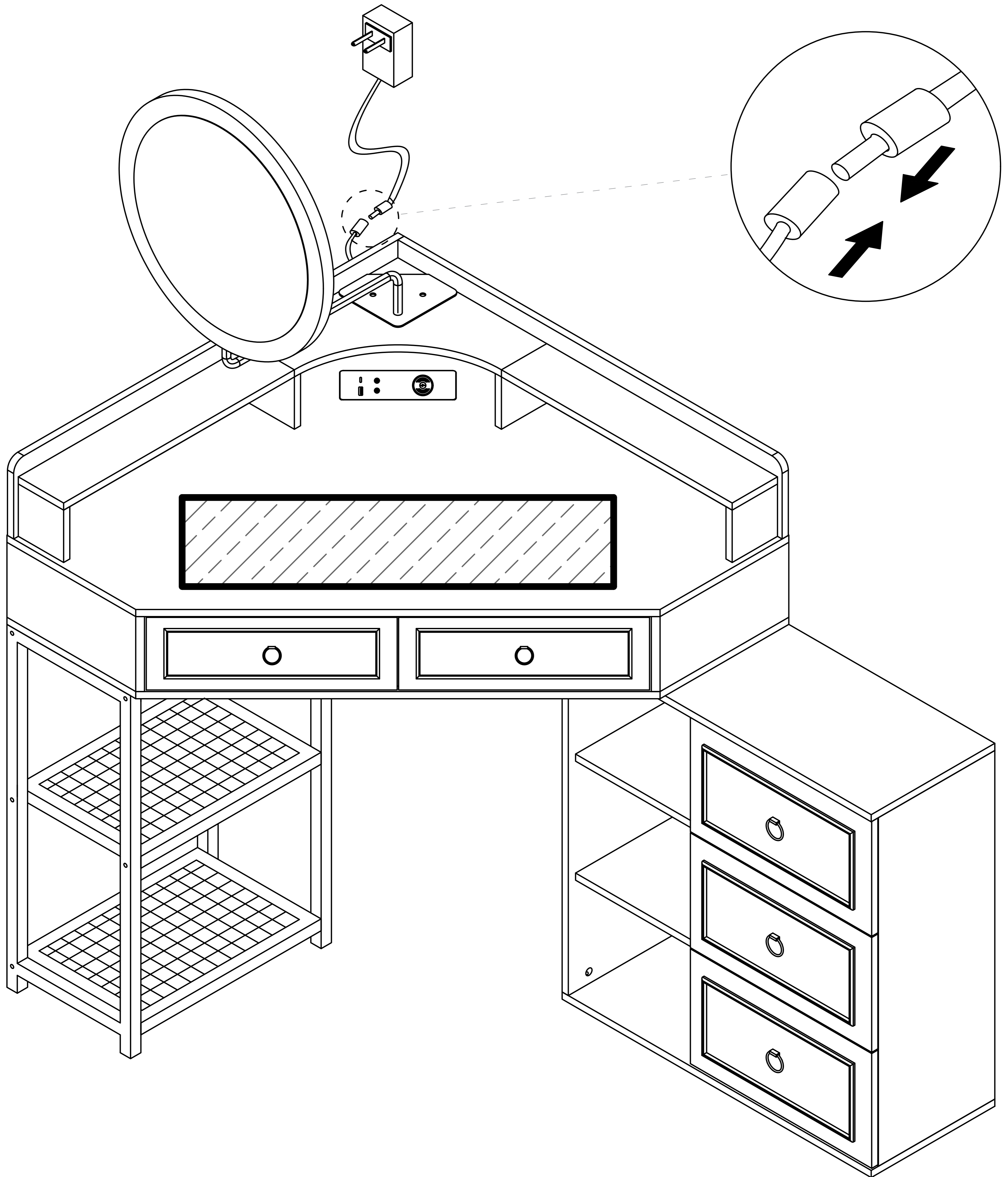
Step 78

Put the two drawers of the main cabinet into the dressing table

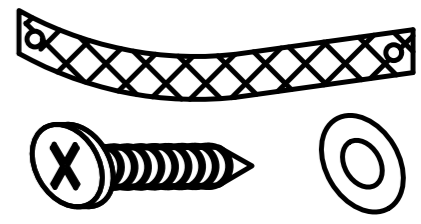
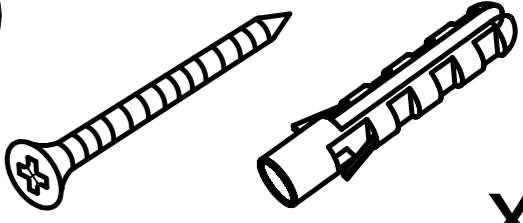


Step 79

P  x1

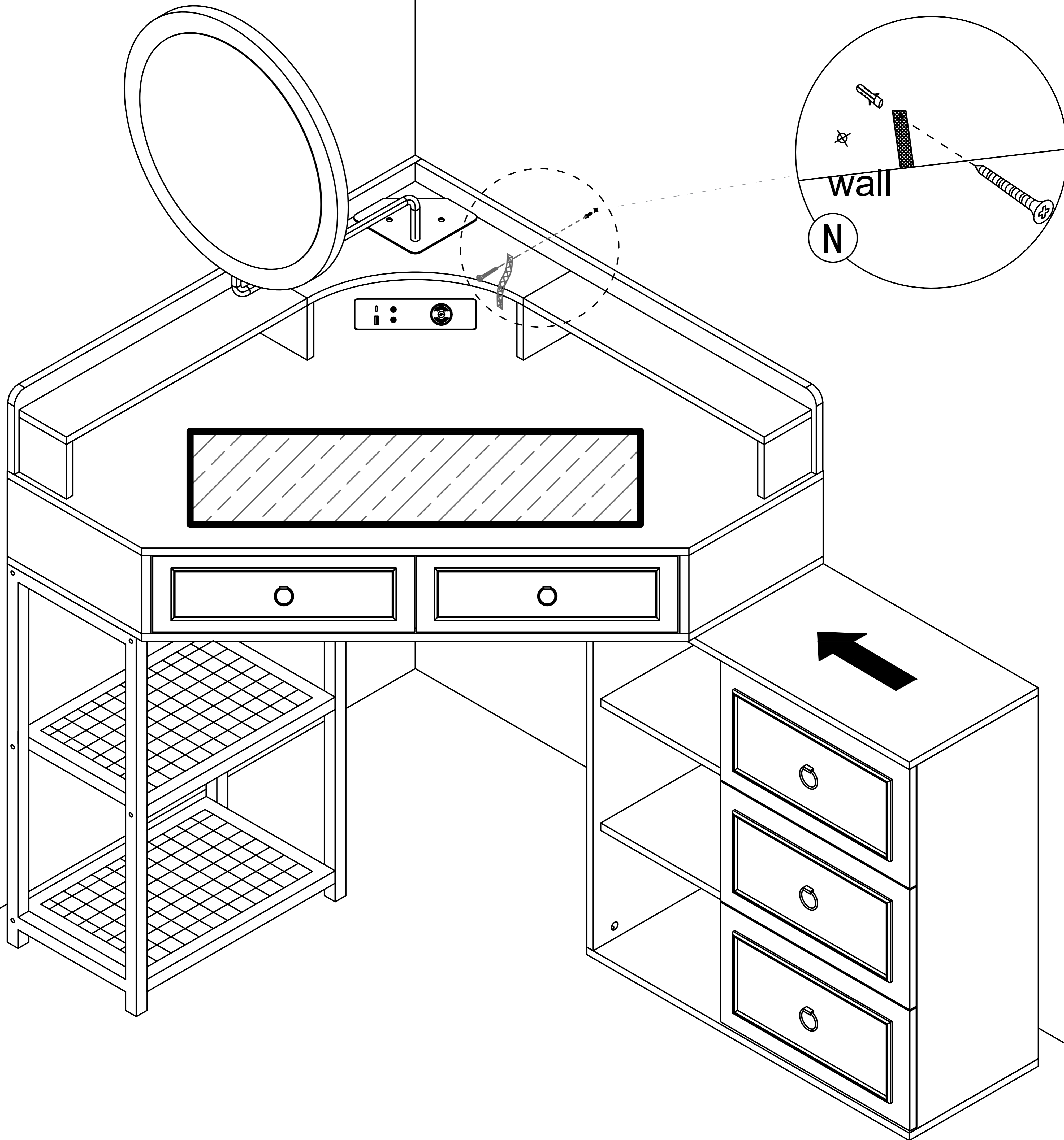


Step 80

- (L)  x1
- (N)  x1

Wall

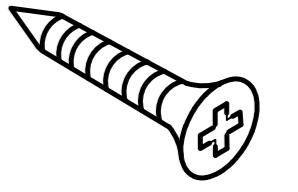
Wall



Install anti-tipping tape the wall and move the auxiliary cabinet to a suitable position

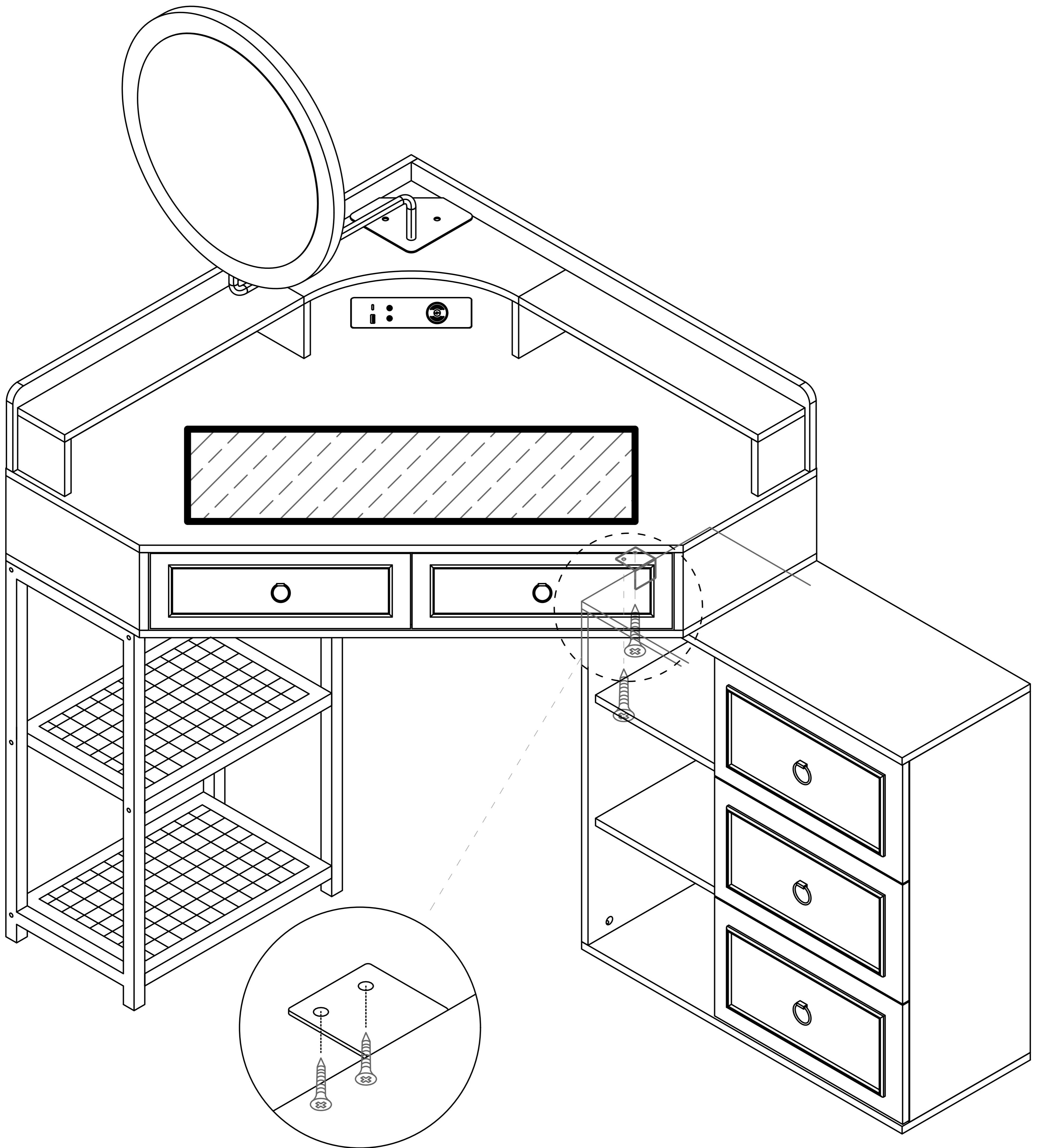
Step 81

Q



x2

This part can connect and fix the secondary cabinet and main cabinet, and customers can choose to install it according to their needs



Connect the secondary cabinet to the main cabinet by tightening screws

62



User's Guide

Thank you for purchasing this product.

To use this product, please plug it into a 12V DC power supply.

Please use if the product works normally after connecting to power.

Introduction

The box is an intelligent controller. It has 1 USB port and 1 type-C port and can distribute the current output up to 5V DC-2A. With 2 touch buttons, it can turn ON/OFF the light, change light colors, and adjust the light luminance.

Operation



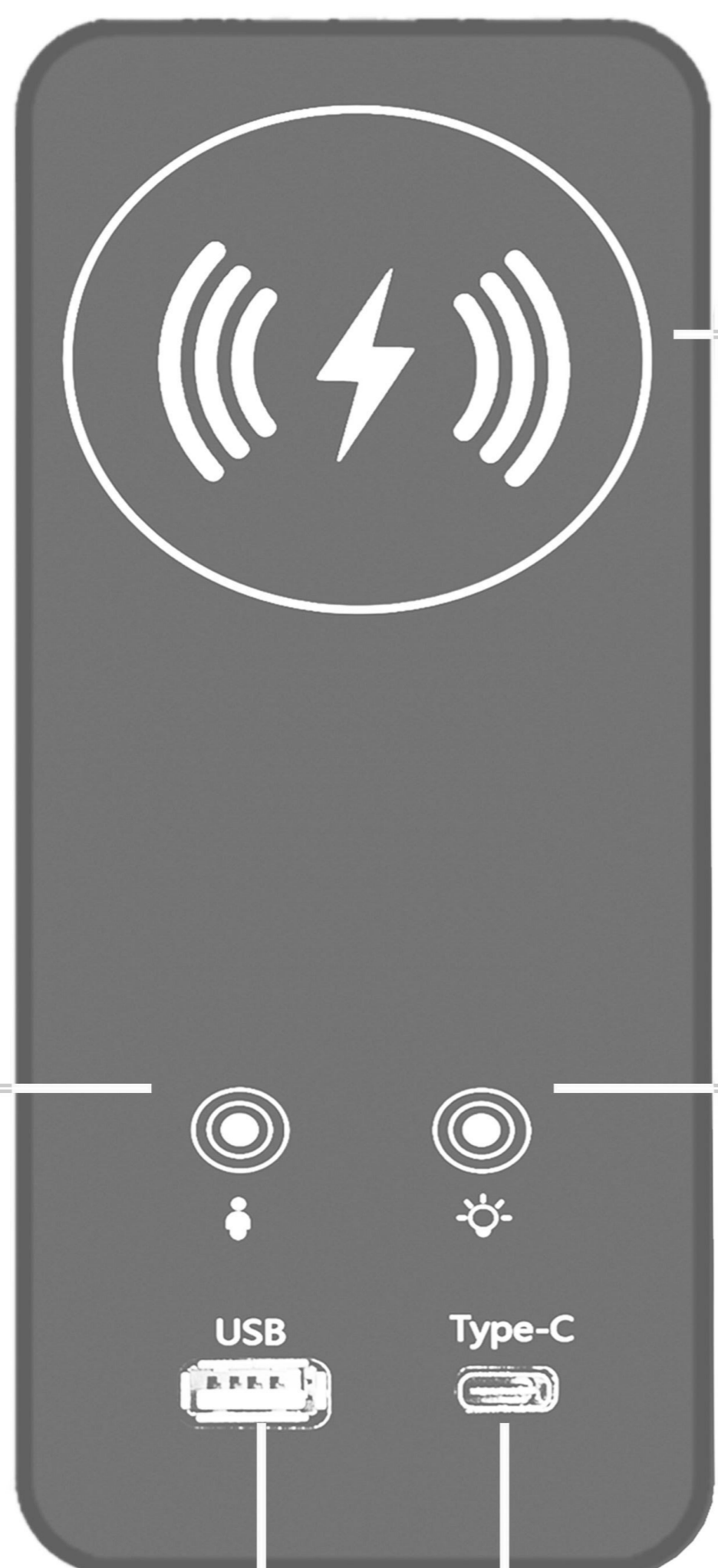
This touch button is used to turn on/off, change colors, and adjust brightness.

- A. Short touch -> lighting on -> short touch -> change light color -> short touch -> change light color -> short touch -> lighting off.
- B. Long touch -> adjust the luminance.



This touch button is used to turn on/off the induction function.

- A. Short touch to turn on the induction function. It can auto-turn on the light when people are close to the controller in 1 meters. It can auto power off the light when the body is far away from the controller after 30 seconds.
- B. Long touch to turn off the induction function.
- C. Note: When you touch the light button to change the light modes, the induction function will automatically turn off. It is best to turn on this function after selecting the light color and adjusting the brightness you want.



This range is a wireless charging area, and only mobile phones with wireless charging function can be charged.

Consumer Reminder: Important Notice for Wireless Charging Use

1, Phone-Only Wireless Charging: This device supports wireless charging for mobile phones only. Attempting to charge other electronic devices may result in danger.

2, Metal Warning: Ensure that no metal objects are placed between your phone and the wireless charger (this includes magnetic or metal phone cases).

If there are metal objects can interfere with charging or cause hazardous conditions.



ATTENTION PLEASE

1. If there is no touch response suddenly, Re-plug the power to reset the touch static electricity.
2. If bubbles appear on the panel, remove the protective film.
3. If you have any questions when installing, please feel free to contact us. Thank you.