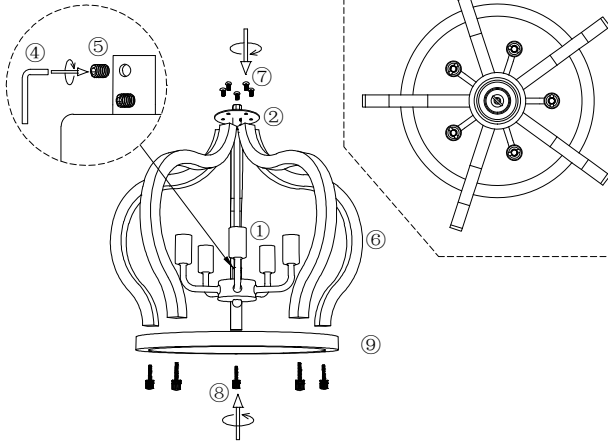
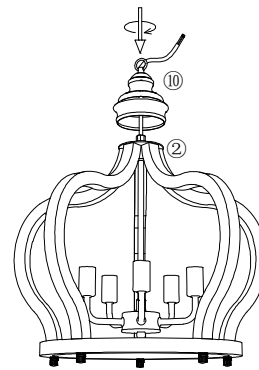


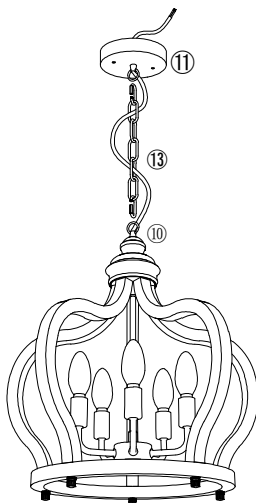
1. Let the wire go through the hanging tube ③ and round plate ②, rotate to fix them on the light fixture ① and lock it with grub screw ⑤ (by rotate hex key ④).



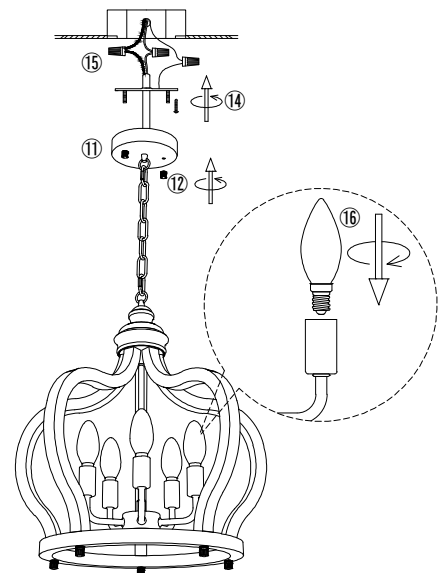
2. Install the wooden profile ⑥ to the round plate ② with screw ⑦, after that install the profile ⑥ to the round metal ring ⑨ with end cap screw ⑧. (when install the wooden profile ⑥, please do not overexert to damage the profile)
 3. Adjust the profiles ⑥ and the light arms ① to suitable position. (like picture showed), after that lock the fixture ① with grub screw ⑤ by rotate hex key ④)



4. Let the wire go through the top cover ⑩, rotate the ring to fix the cover ⑩ to the fixture.



5. Hang the fixture ⑩ to the canopy ⑪ with chain ⑬, let the wire go through chain ⑬ and canopy ⑪.



6. Install the bracket to the ceiling junction box with screw ⑭.
 7. Connect the wire to your home line with cap connectors ⑮.
 8. Install the fixture to the bracket with cap nuts ⑫.
 9. Install the bulb ⑯.

Please read carefully before installation!!!

Note : Please make sure that the electricity is powered off during installation !

Only a professional electrician should install this kind of product !