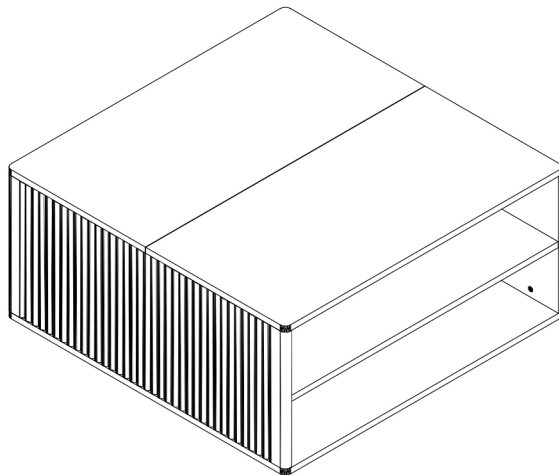
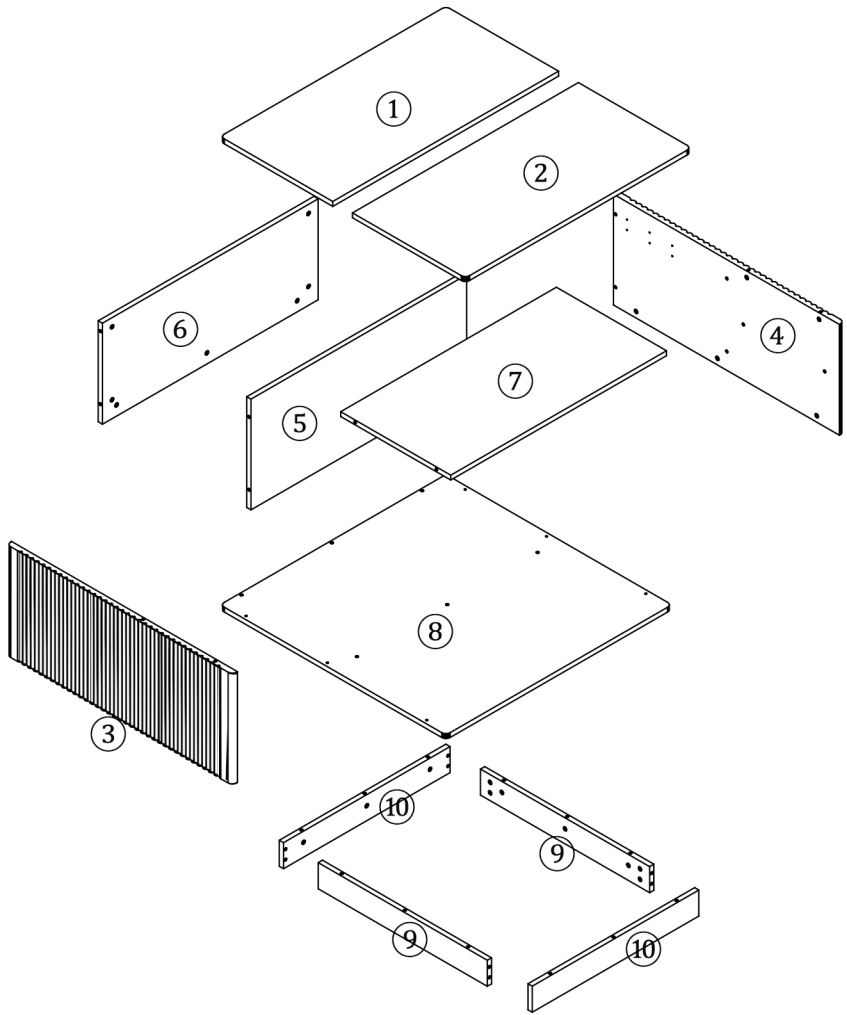


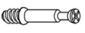







ASSEMBLY INSTRUCTION

- Read the assembly instructions carefully before beginning assembly.
- Ensure the safety of the glass during assembly.
- Do not over tighten the screws and bolts as this may damage the threads.
- Insert the screw into the hole as shown in the figure, follow the arrow in the picture, and then rotate 90° or 180° clockwise.
- Keep the small accessories in the accessory bag away from children.
- The remaining parts are spare parts.
- Kind tips: when installing the white backboard, install the white side inward.
- The operating instruction of RGB light is included in the package. Read it carefully when assembling .



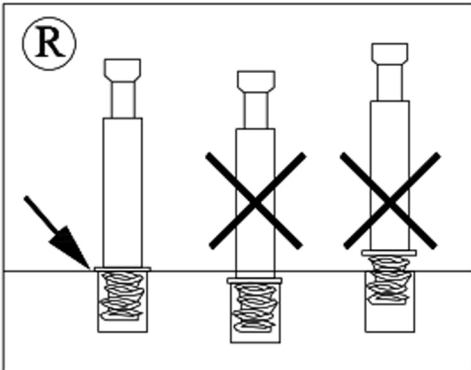
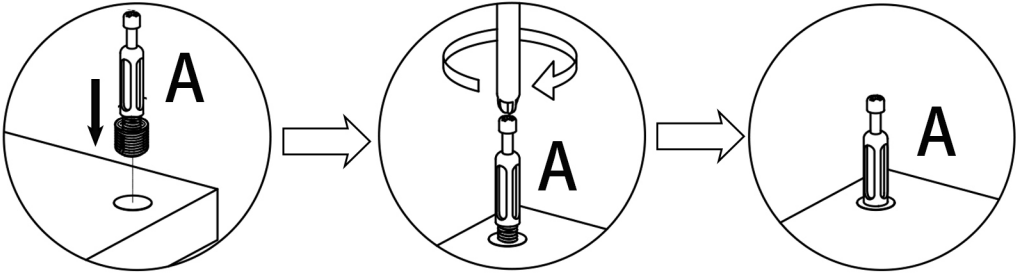


A  38pcs	B  38pcs	A1  10pcs	B1  10pcs	C4  3.5*14 18pcs	S2  2pcs	AM  Decorative paper 20pcs	AG  1pcs	



Hardware installation demonstration

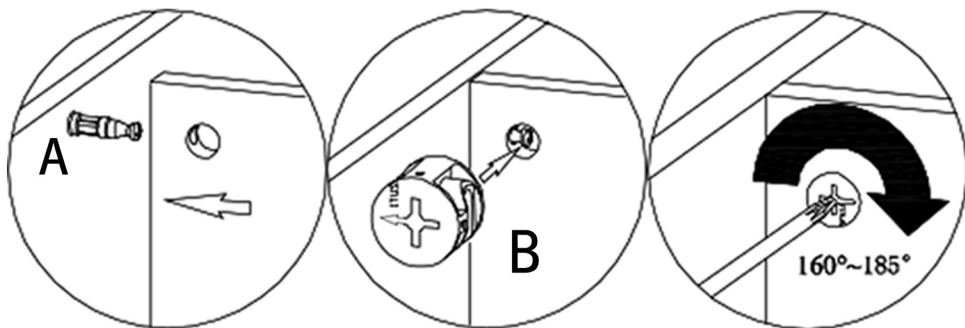
● Please make sure "A" hardware tightened and can't be pulled out





Hardware installation demonstration

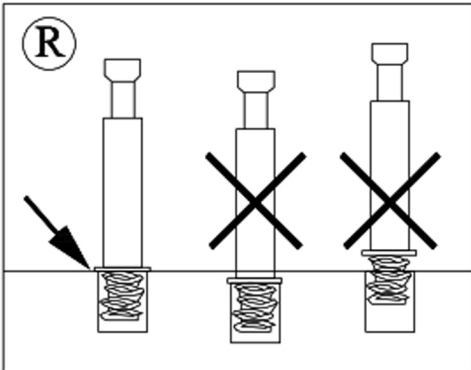
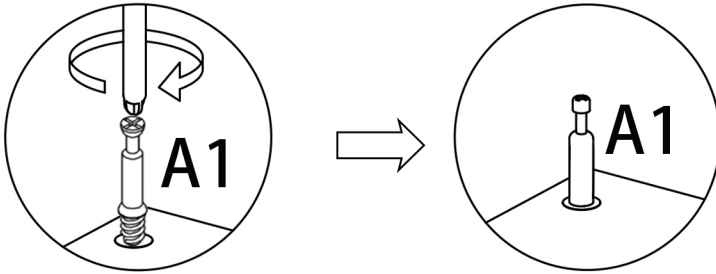
- When inserting cam ensure arrowhead on cam points toward to the hole on the panel edge





Hardware installation demonstration

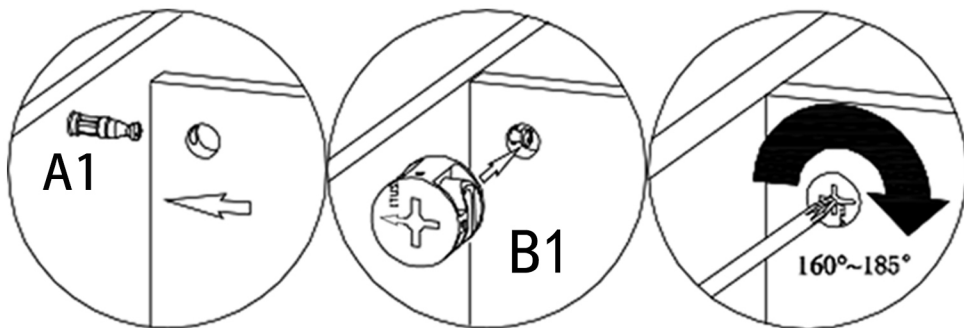
- Please make sure "A" hardware tightened and can't be pulled out



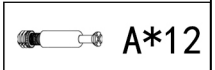
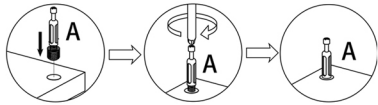
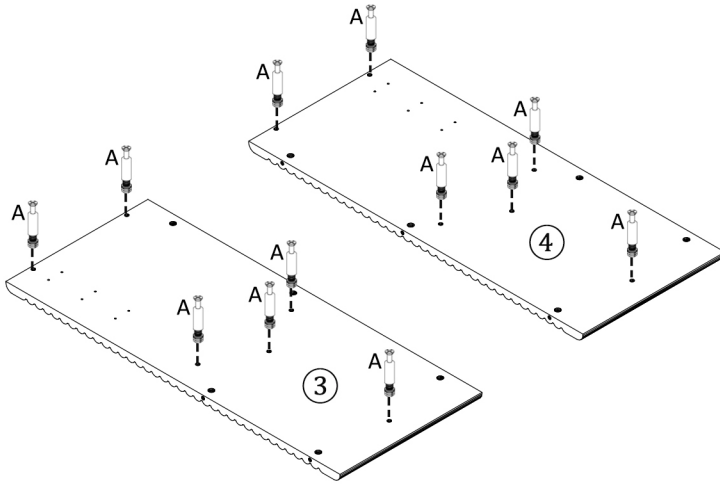


Hardware installation demonstration

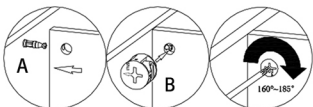
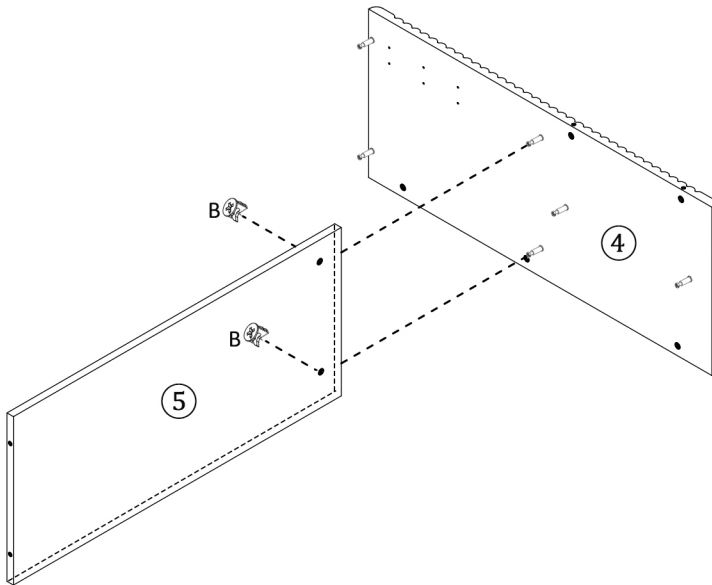
- When inserting cam ensure arrowhead on cam points toward to the hole on the panel edge



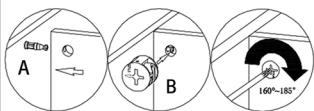
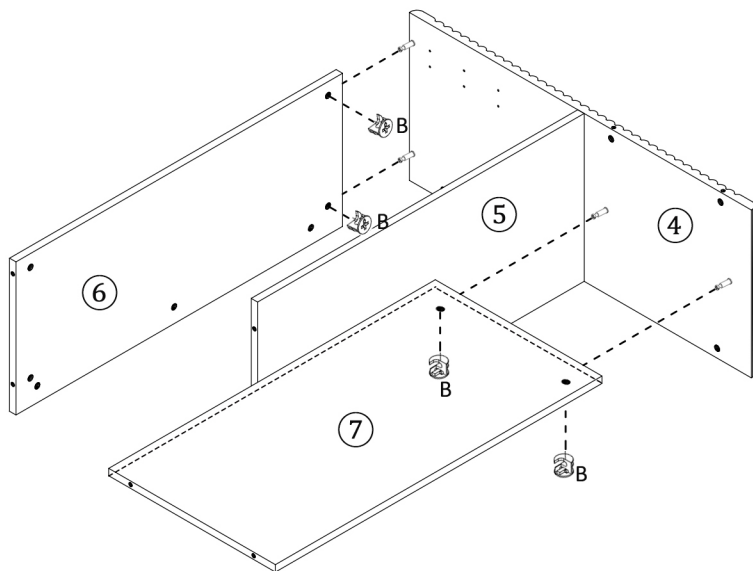
STEP 1



STEP 2

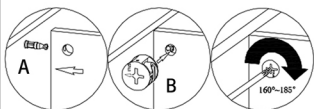
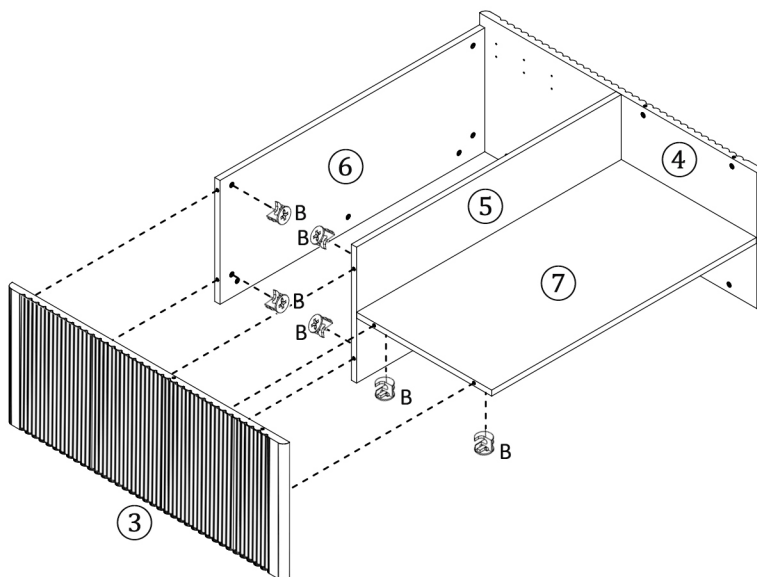


STEP 3



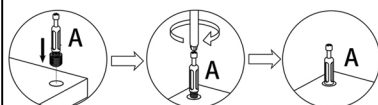
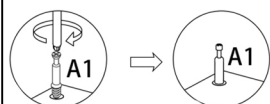
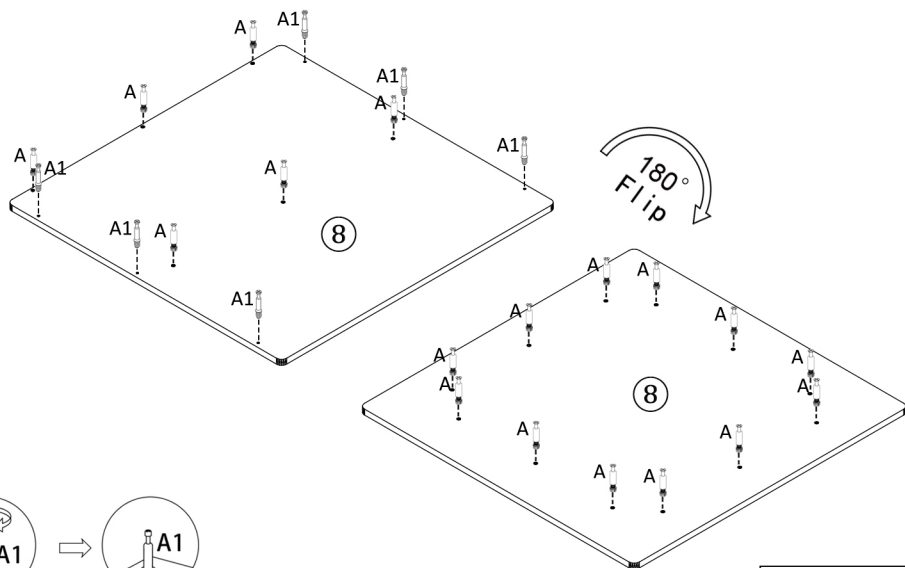
B*4

STEP 4



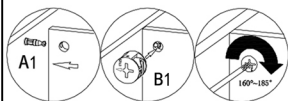
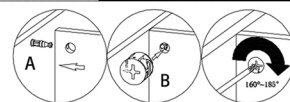
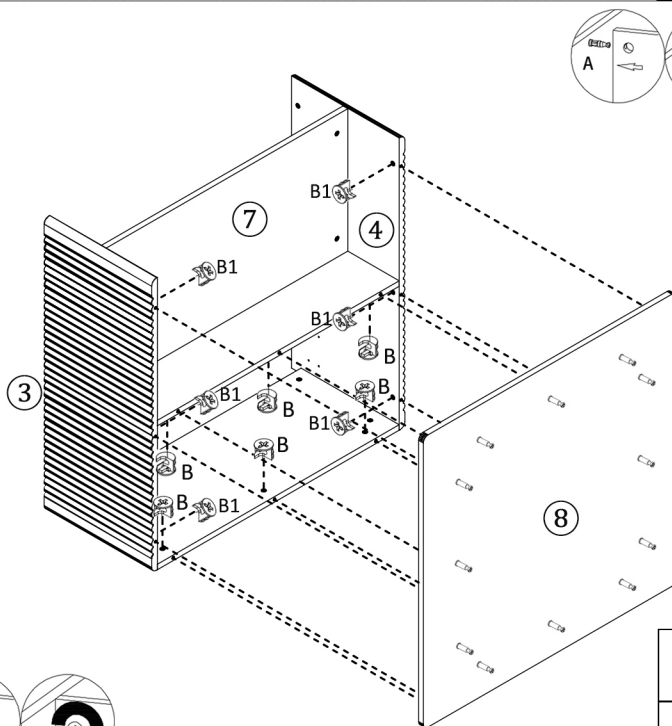
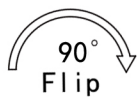
B*6

STEP 5



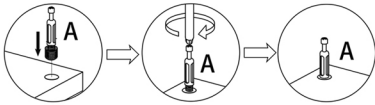
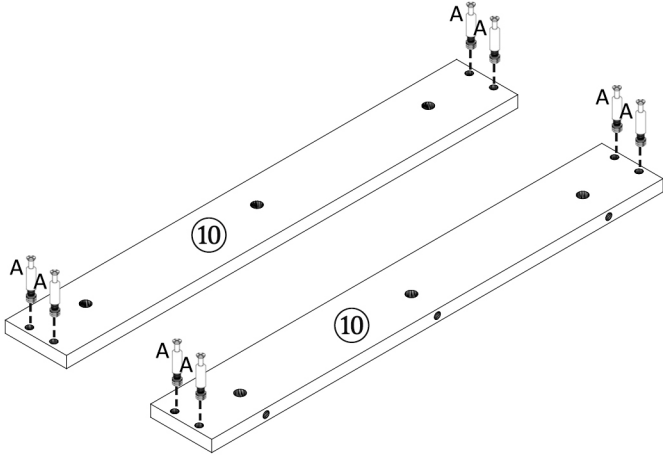
- | | |
|--|------|
| | A1*6 |
| | A*18 |

STEP 6

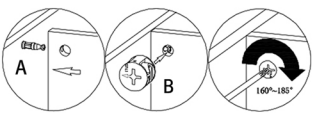
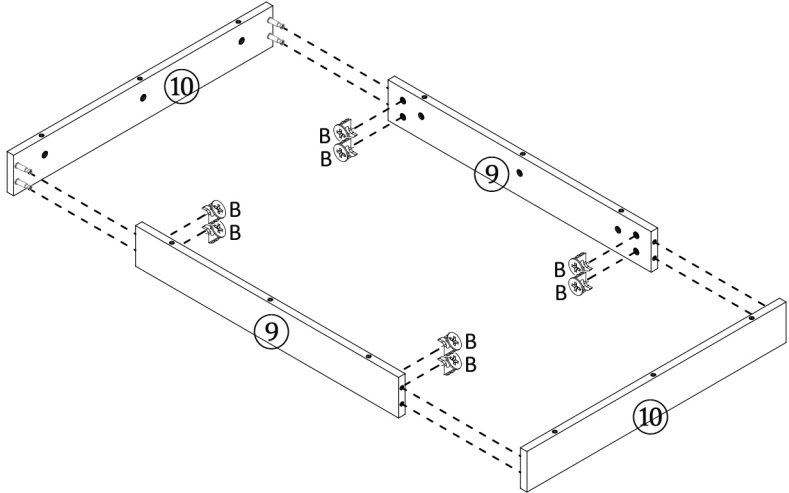


- | | |
|--|------|
| | B1*6 |
| | B*6 |

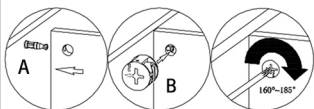
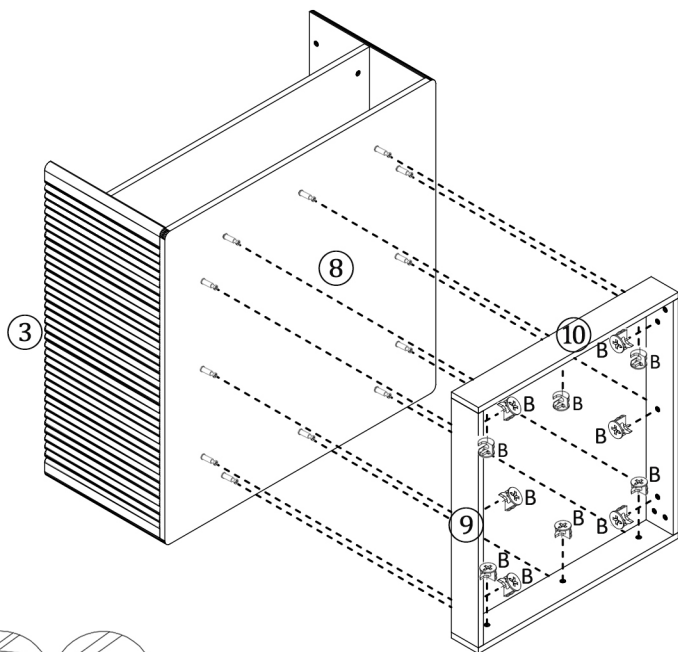
STEP 7



STEP 8

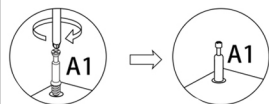
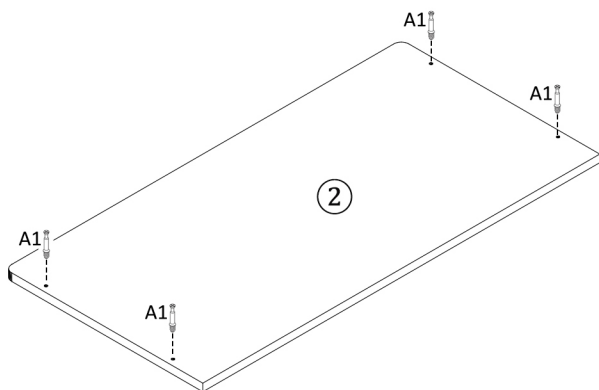


STEP 9



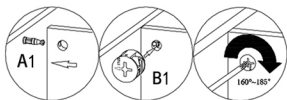
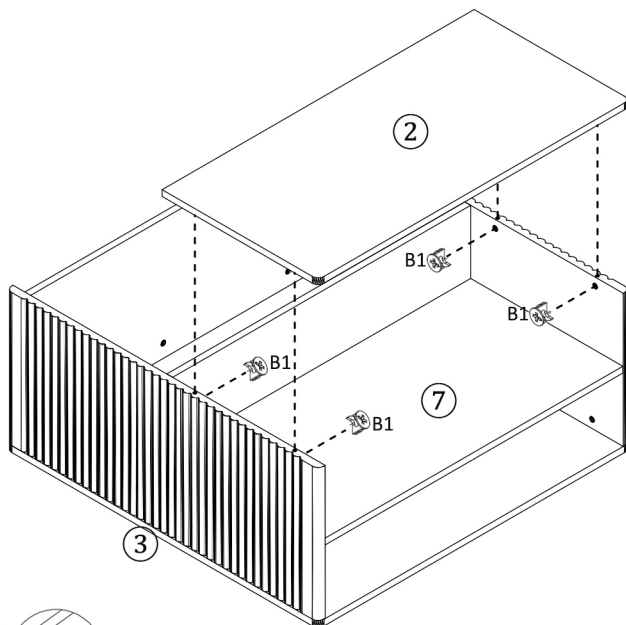
B*12

STEP 10



A1*4

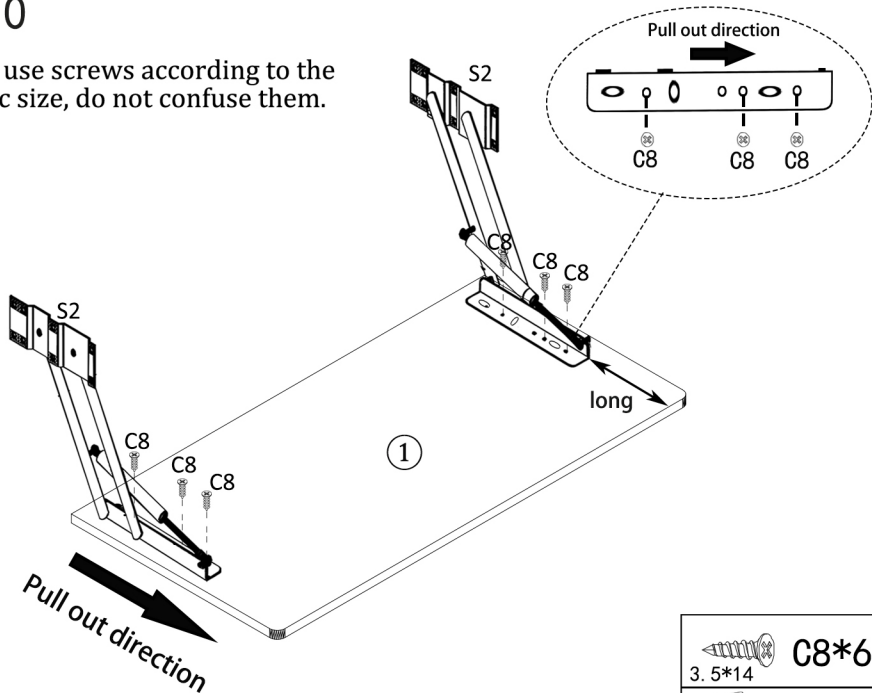
STEP 9



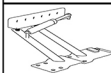
B1*4

STEP 10

⚠ Please use screws according to the specific size, do not confuse them.

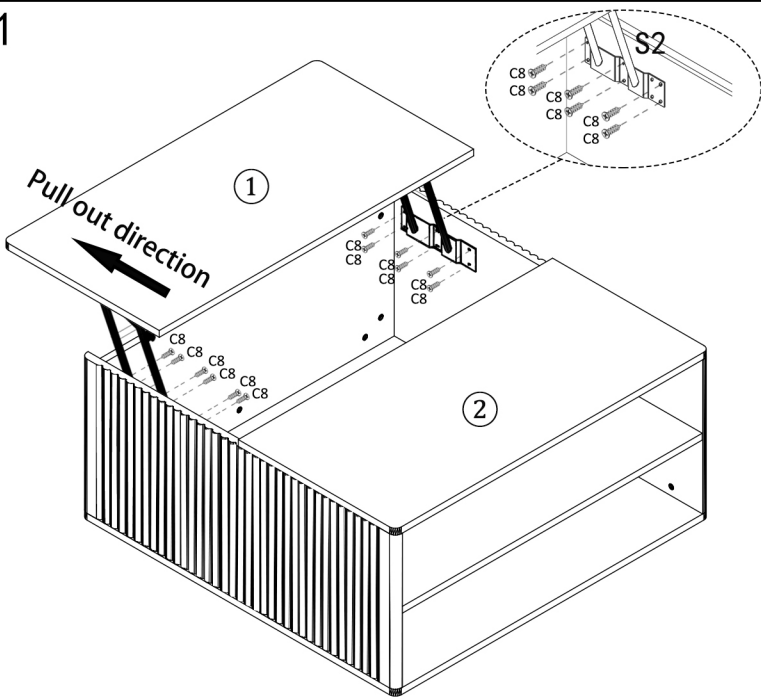


C8*6
3.5*14



S2*2

STEP 11

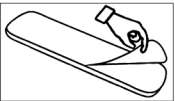
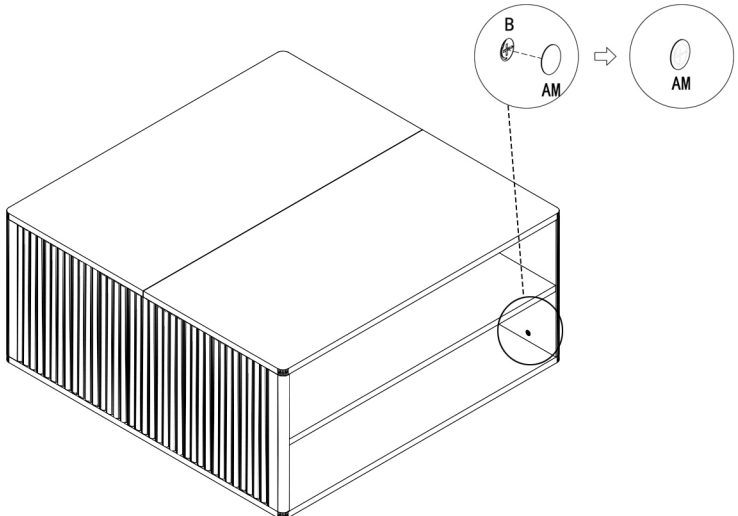


! Please use screws according to the specific size, do not confuse them.



STEP 12

Please stick the decorative paper on the hole



For the high gloss panel,
please peel off the plastic
film after assembling

