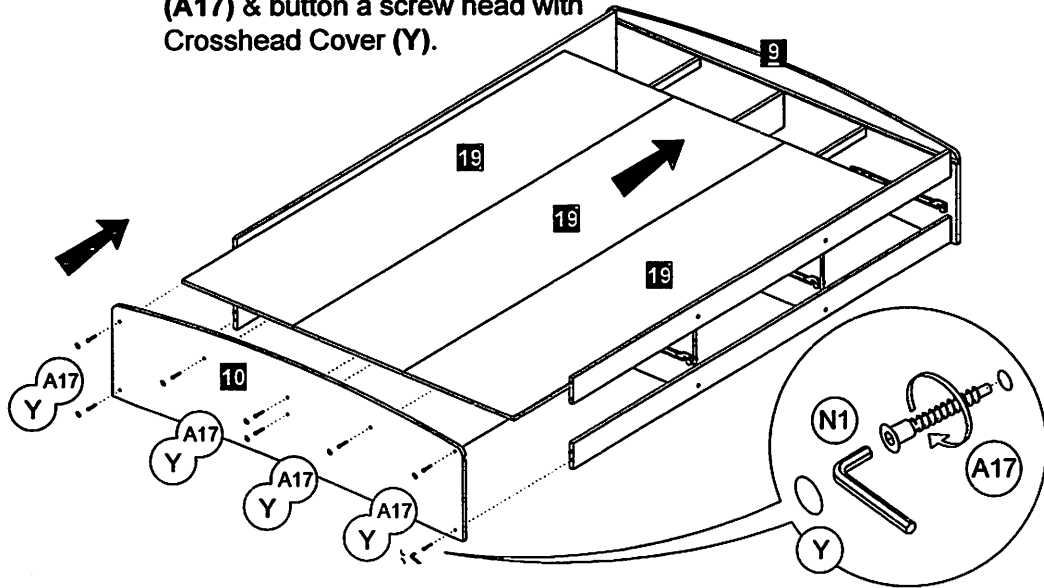
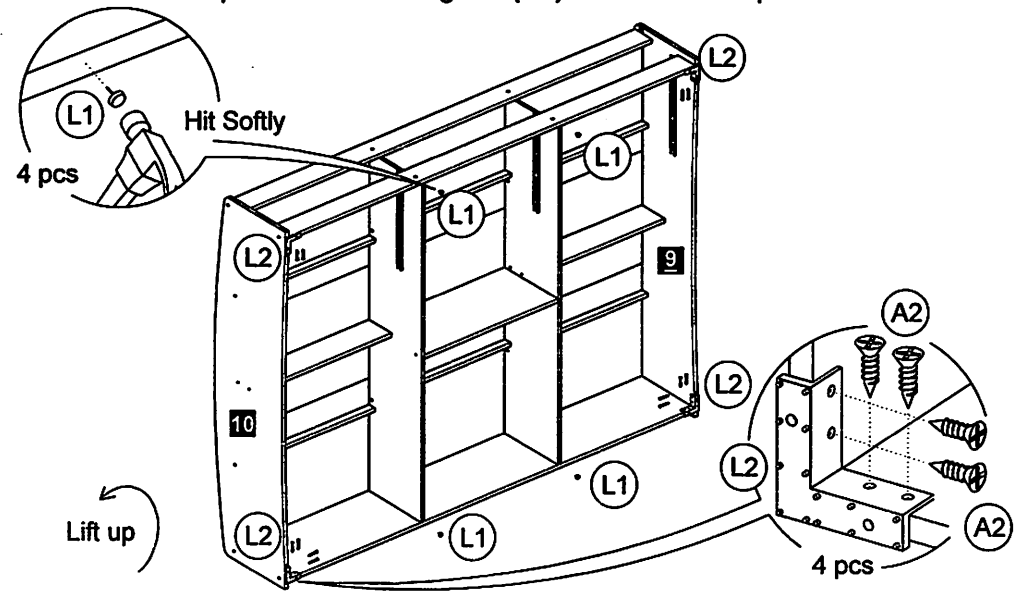


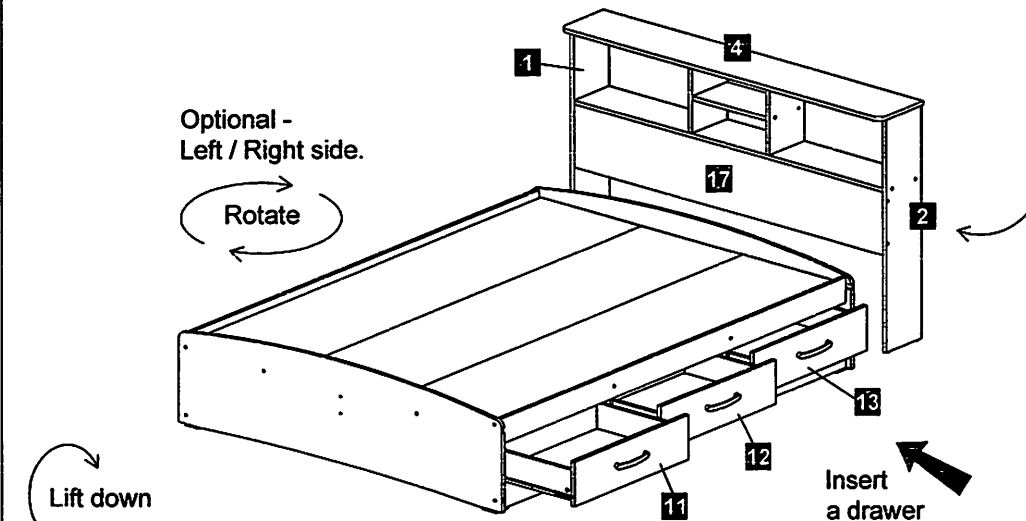
**STEP 9** Slide panel no. 19 until groove at panel no. 9. Then attach panel no. 10. Use Allen Key (N1) to tighten a Crosshead Screw m6.3 x 40mm (A17) & button a screw head with Crosshead Cover (Y).



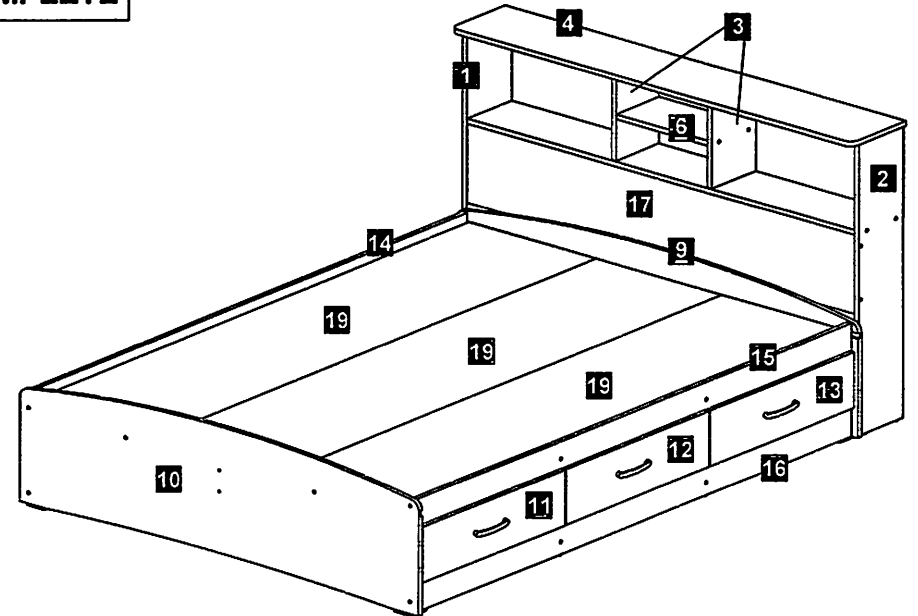
**STEP 10** Screw the Plastic Leg L Shape (L2) at panel no. 9, 10 & between 2 side panel. Nail the Leg Pin (L1) at bottom side panel.



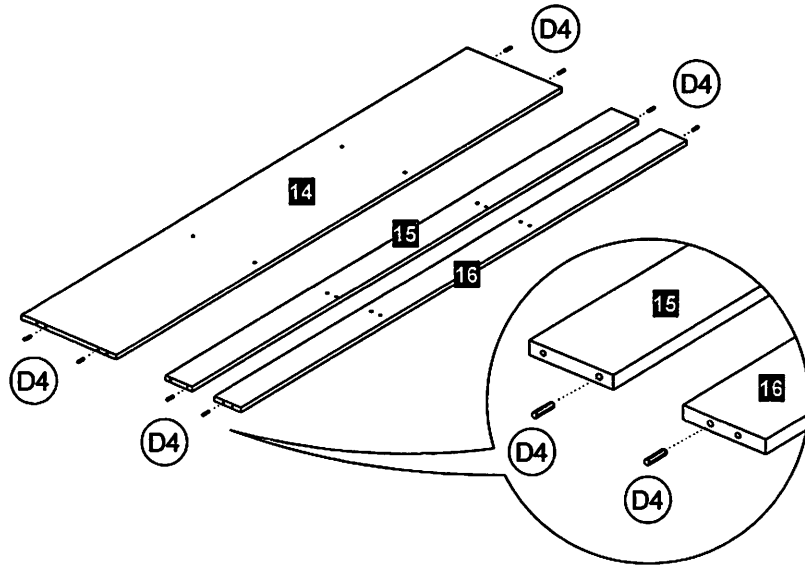
**STEP 11** Insert 3 sets of drawer (left, middle & right drawer). Finally, attach a headboard at behind a bed. The drawer position is optional to face at left or right side.



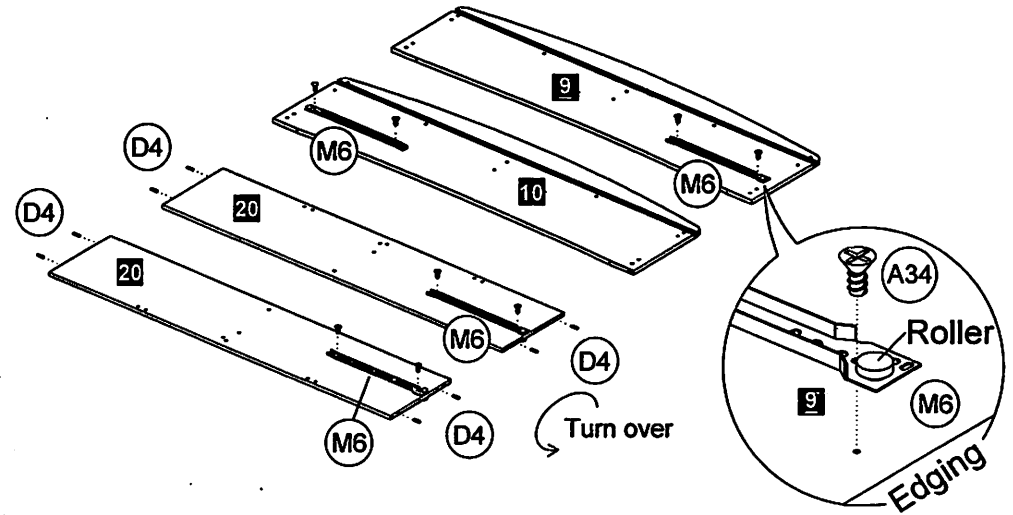
**COMPLETE**



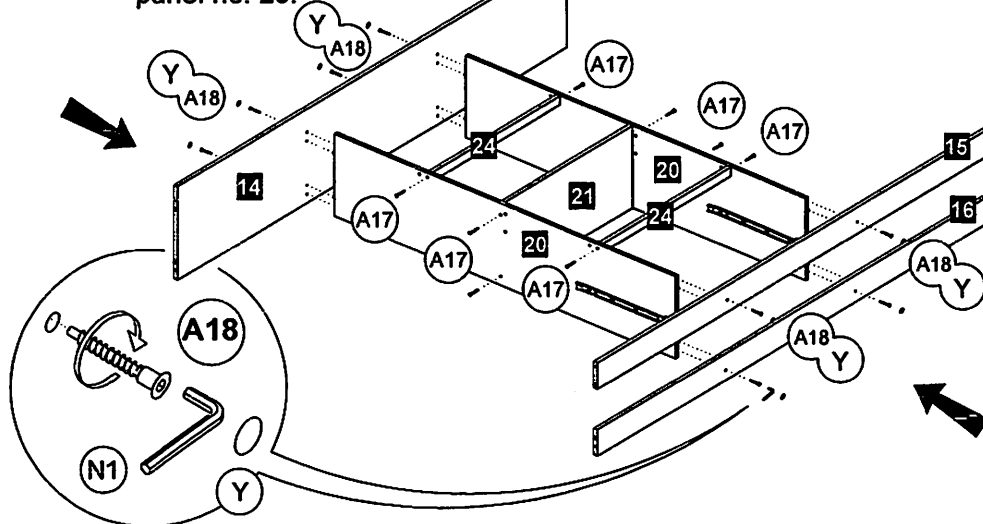
**STEP 5** Insert the Wood Dowel 6 x 25mm (D4) at panel no. 14 , 15 & 16.



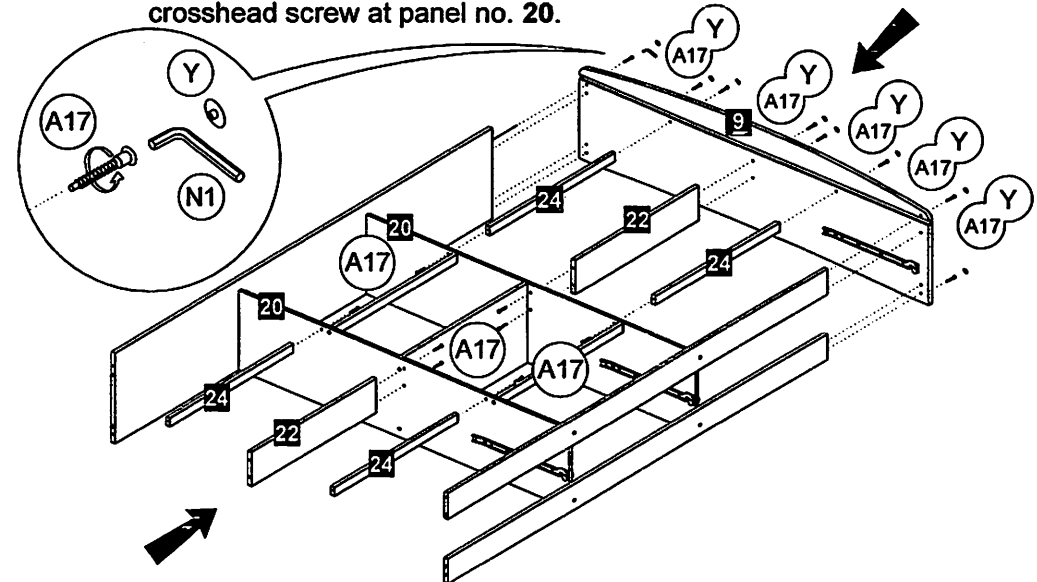
**STEP 6** Use Screw (A34) to assemble the Drawer Metal Slide 400mm (M6) at marking holes panel no. 9, 10 & both side at panel no. 20 (2 pcs). Insert the Wood Dowel 6 x 25mm (D4) at both side at panel no. 20.



**STEP 7** Use Allen Key (N1) to tighten a Crosshead Screw m6.3 x 40mm (A17) & Crosshead Screw m6.3 x 50mm (A18). Button a screw head with Crosshead Cover (Y) except Crosshead Screw (A17) at panel no. 20.



**STEP 8** Use Allen Key (N1) to tighten a Crosshead Screw m6.3 x 40mm (A17) & button a screw head with Crosshead Cover (Y) except crosshead screw at panel no. 20.





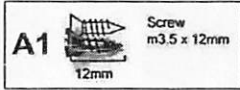
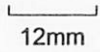
Reference Screw Size.

Place your screw on top to identify the size

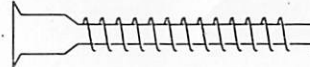
A1



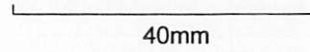
Screw  
m3.5 x 12mm



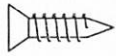
A17



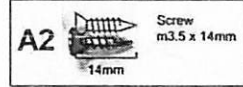
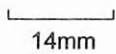
Crosshead Screw  
6.3 x 40mm



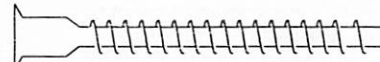
A2



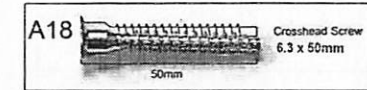
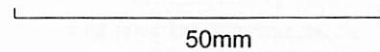
Screw  
m3.5 x 14mm



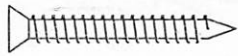
A18



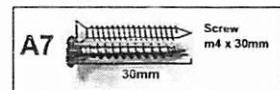
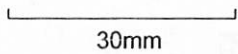
Crosshead Screw  
6.3 x 50mm



A7



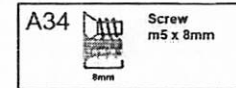
Screw  
m4 x 30mm



A34



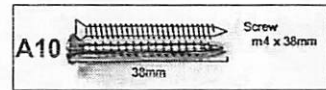
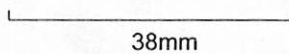
Euro Screw  
m5 x 8mm



A10



Screw  
m4 x 38mm




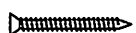




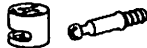






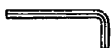


**Before you begin, please follow assembly instruction carefully, then follow step by step.**

Read instruction carefully. See furniture Parts List and Hardware List for guidance. Be sure you have all parts before you start assembling. Place and assemble furniture on a clean flat soft surface, such as carpet, rug or carton to prevent being scratched.

**Reminder :**

Please ensure that all surface and edges with colours / laminations are facing forward / outward.

HARDWARE LIST			QTY
A1		Screw m3.5 x 12mm	18
A2		Screw m3.5 x 14mm	34
A7		Screw m4 x 30mm	6
A10		Screw m4 x 38mm	12
A17		Crosshead Screw m6.3 x 40mm	32
A18		Crosshead Screw m6.3 x 50mm	8
A34		Euro Screw m5 x 8mm	12
D4		Wood Dowel 6 x 25mm	34
F2		Mini Fix 15mm	6 sets

H6		Handle 128mm (Silver)	3
L1		Leg Pin	4
L2		Plastic Leg L Shape	4
M6		Drawer Metal Slide 400mm	3 sets
N1		Allen Key	1
R2		Single Plastic Cap	18
Y		Crosshead Cover & Mini Fix Cap	20

Each pack have contain different type hardware and size of screw for easy assemble. Please refer to page 2, check a screw size.

**CAUTION**

MATERIAL USE LAMINATED PARTICLE BOARD, TO CLEAN USE SOFT, DRY CLOTH. DO NOT USE DETERGENT OR CHEMICAL. AVOID CONTACT WITH WATER AND DIRECT SUNLIGHT. TO BE ASSEMBLED ON A SOFT, DRY, CLEAN SMOOTH SURFACE.



USE OF POWER TOOLS TO ASSEMBLE THIS PRODUCT WILL INVALIDATE ANY CLAIM AND MAY DAMAGE THIS PRODUCT MAKING IT UNSAFE.

