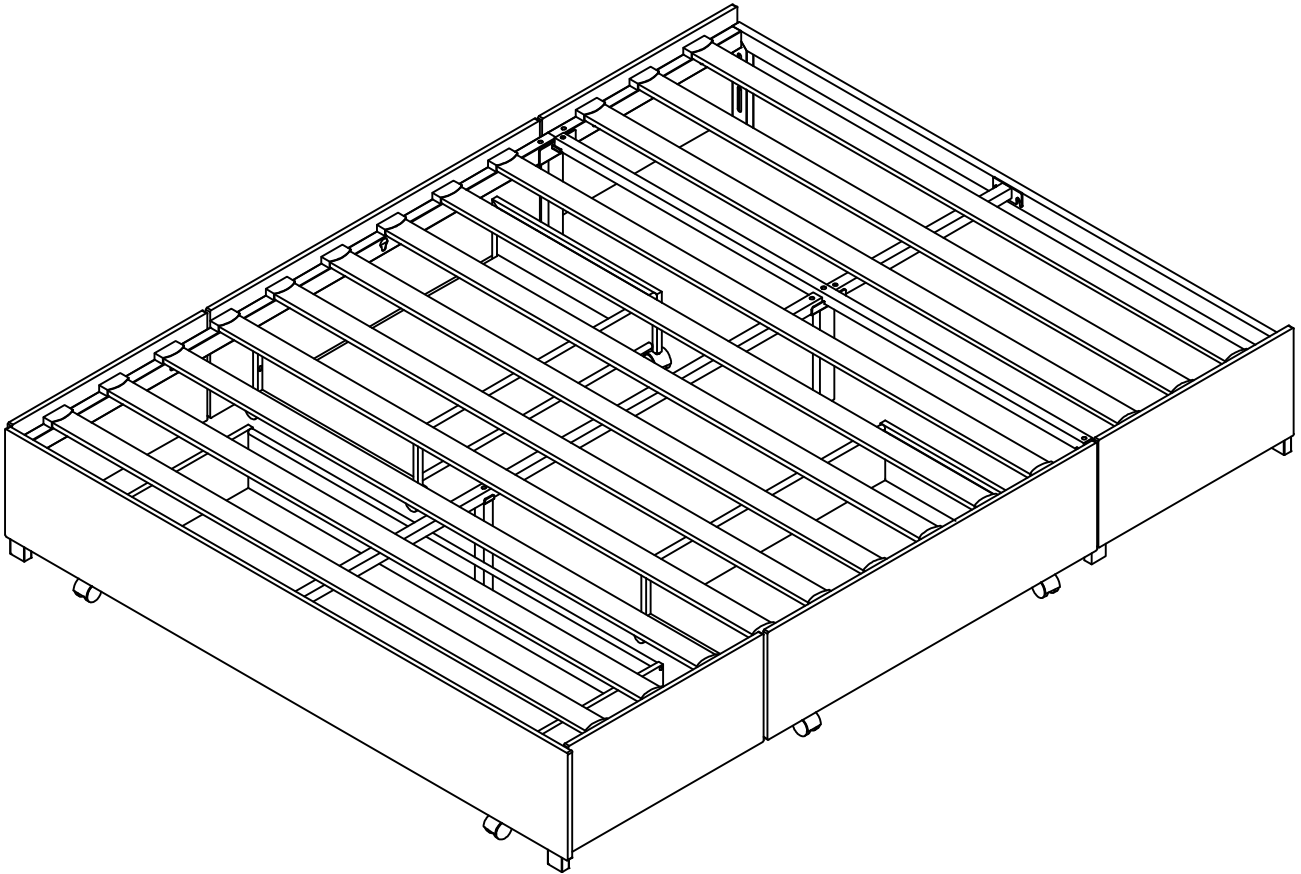


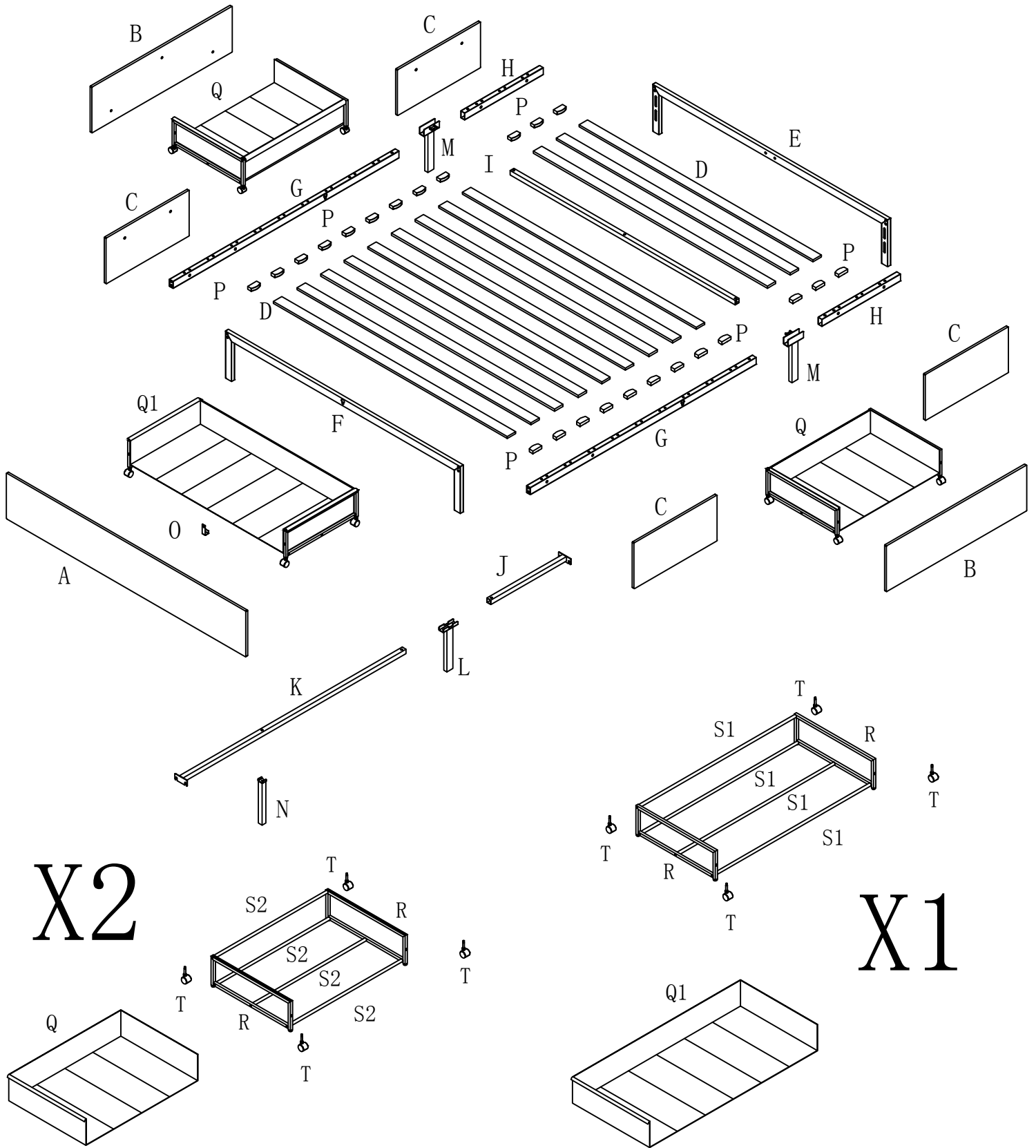
Start Furnishing Your Dream!



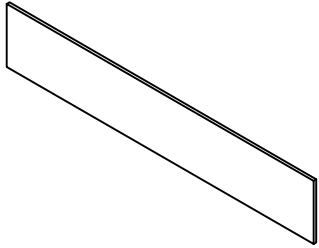
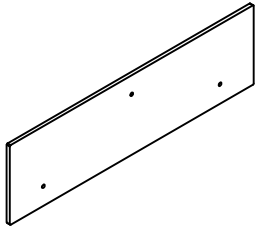
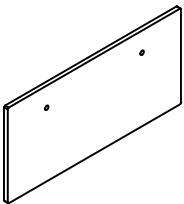
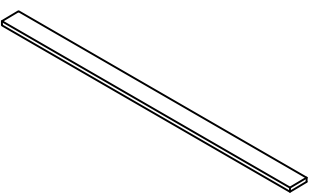
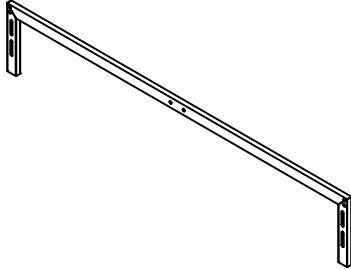
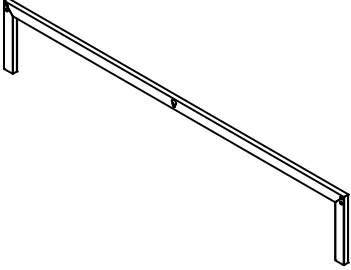
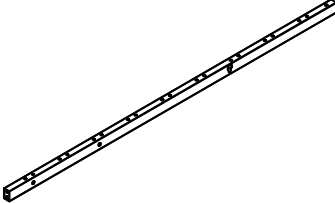
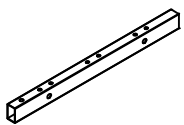
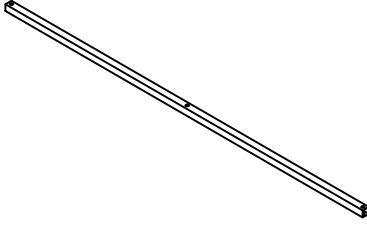
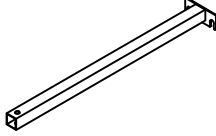
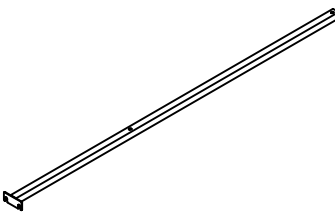
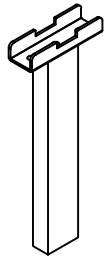
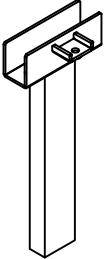
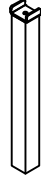
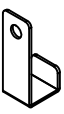
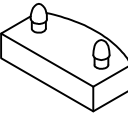
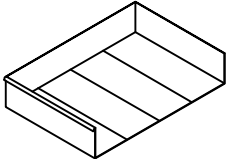
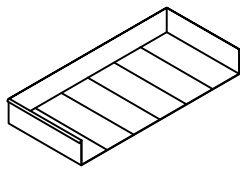
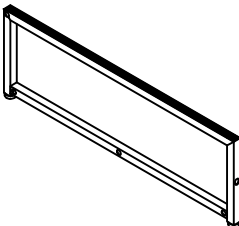
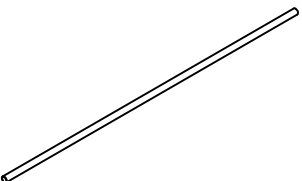
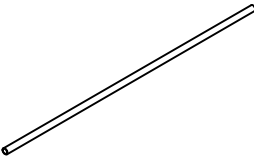
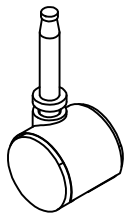
Please check that you have all the parts listed before you start assembling, if you do find that something is missing, do not continue assembly. Please contact us immediately.

NOTE: Please do not completely tighten all the hardware until the entire assembly is complete!

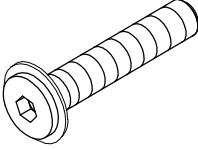
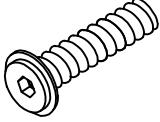
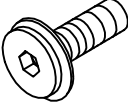
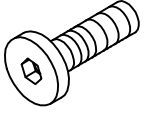
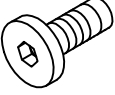
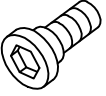
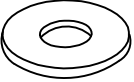

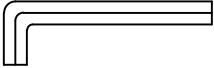
Part list



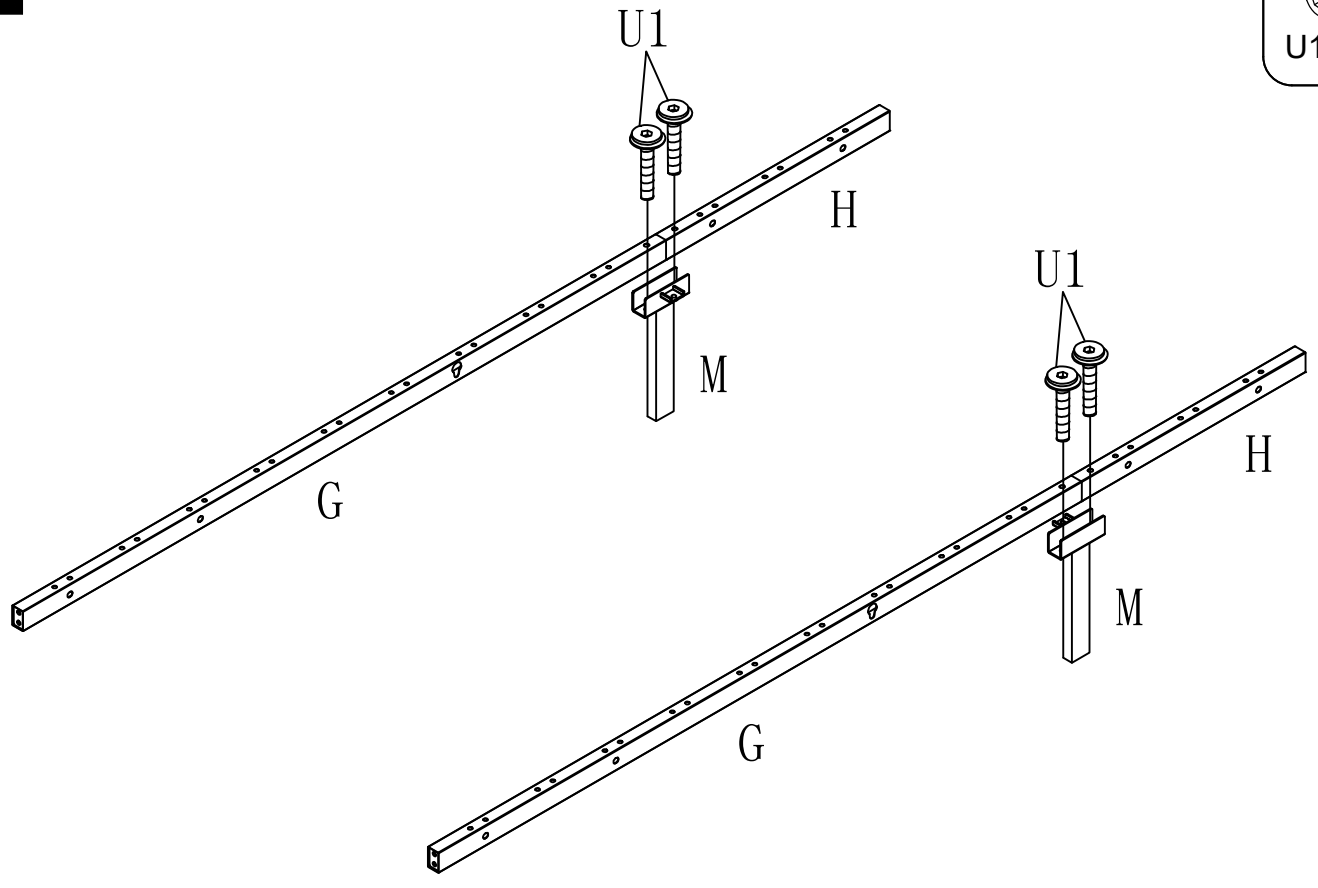
Part list

A	1PC	B	2PCS	C	4PCS	D	12PCS		
									
E	1PC	F	1PC	G	2PCS	H	2PCS		
									
I	1PC	J	1PC	K	1PC	L	1PC		
									
M	2PCS	N	1PC	O	1PC	P	24PCS	Q	2PCS
									
Q1	1PC	R	6PCS	S1	4PCS	S2	8PCS	T	12PCS
									

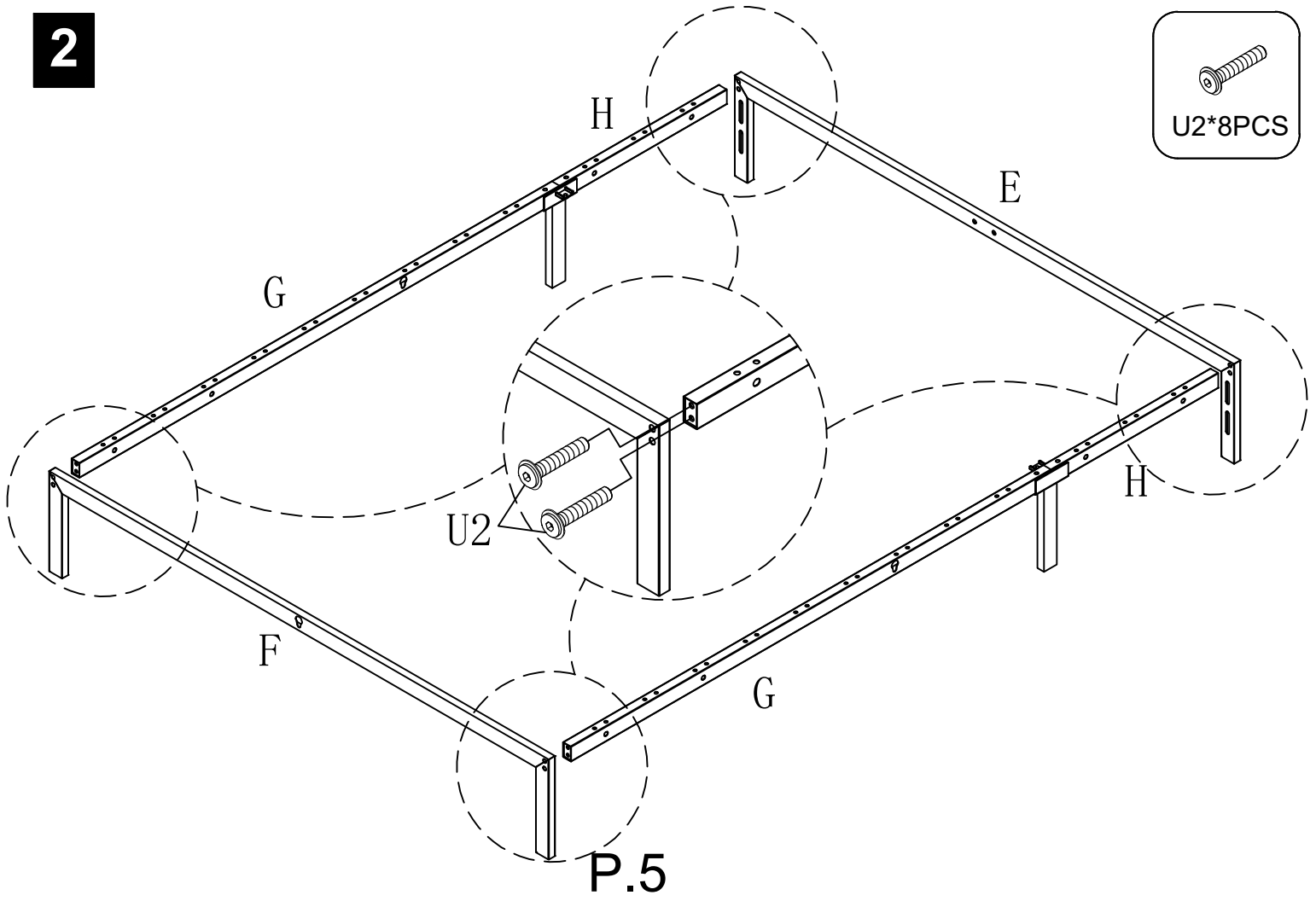
Hardware list

U1 5PCS  M8*50mm	U2 21PCS  M8*38mm	U3 4PCS  M8*16mm
U4 30PCS  M6*25mm	U5 1PC  M6*14mm	U6 3PCS  M8*12mm
V 3PCS  $\phi 22 * \phi 8.5$	W 1PC  M8	Y 1PC  M6

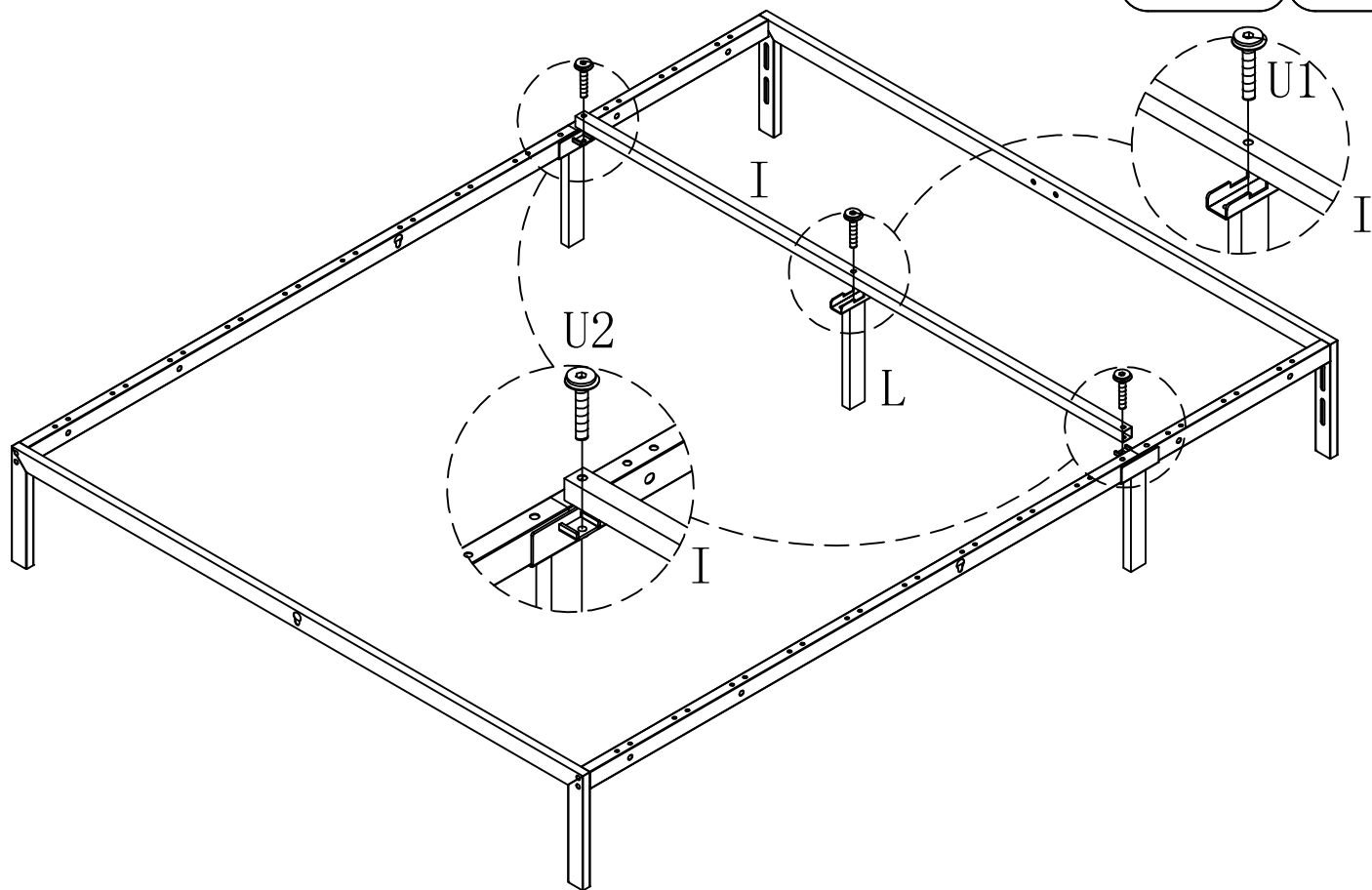
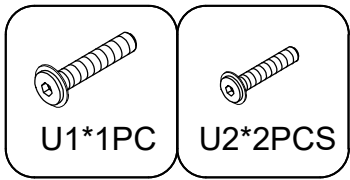
1 Frame Assembly Steps



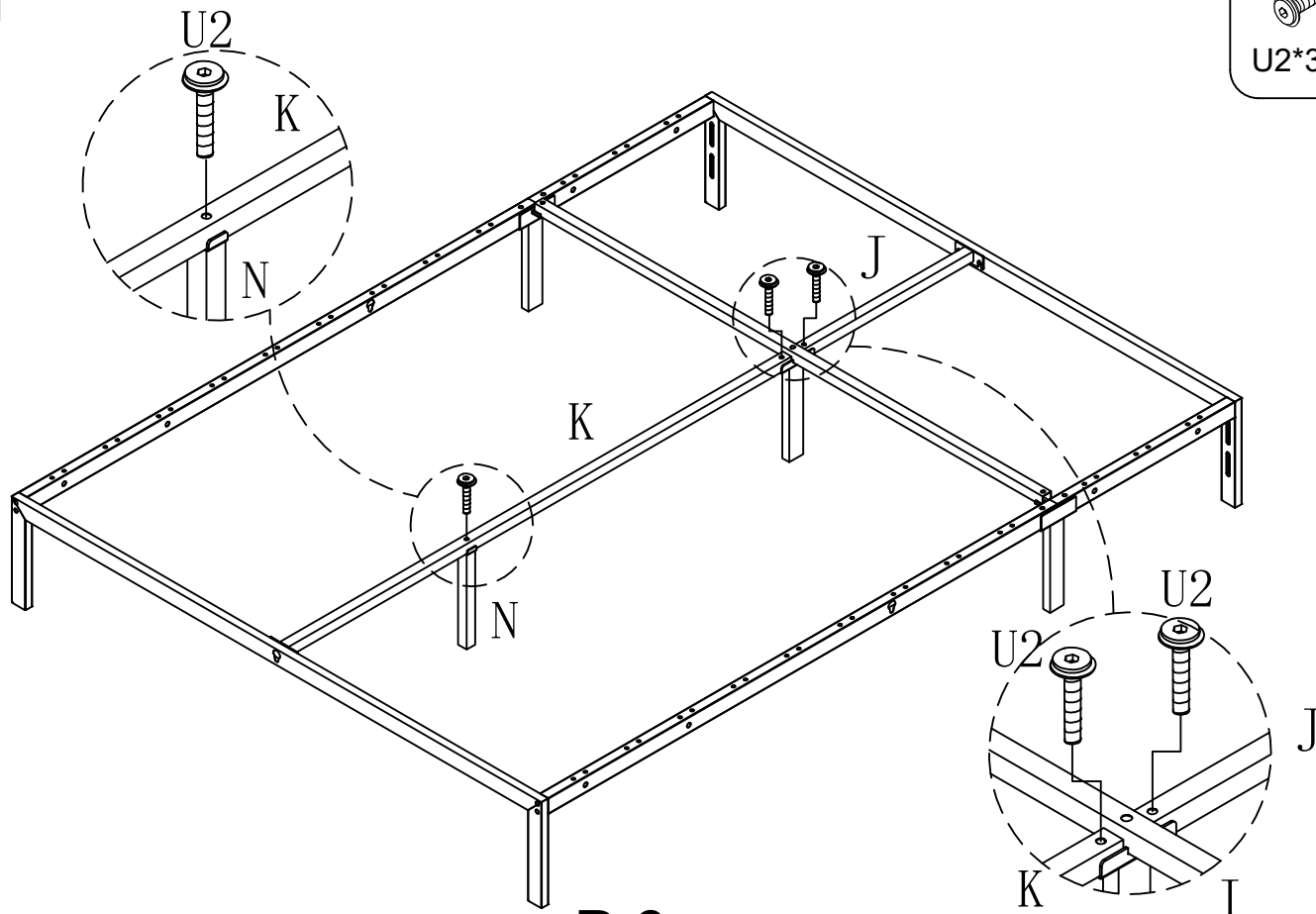
2



3

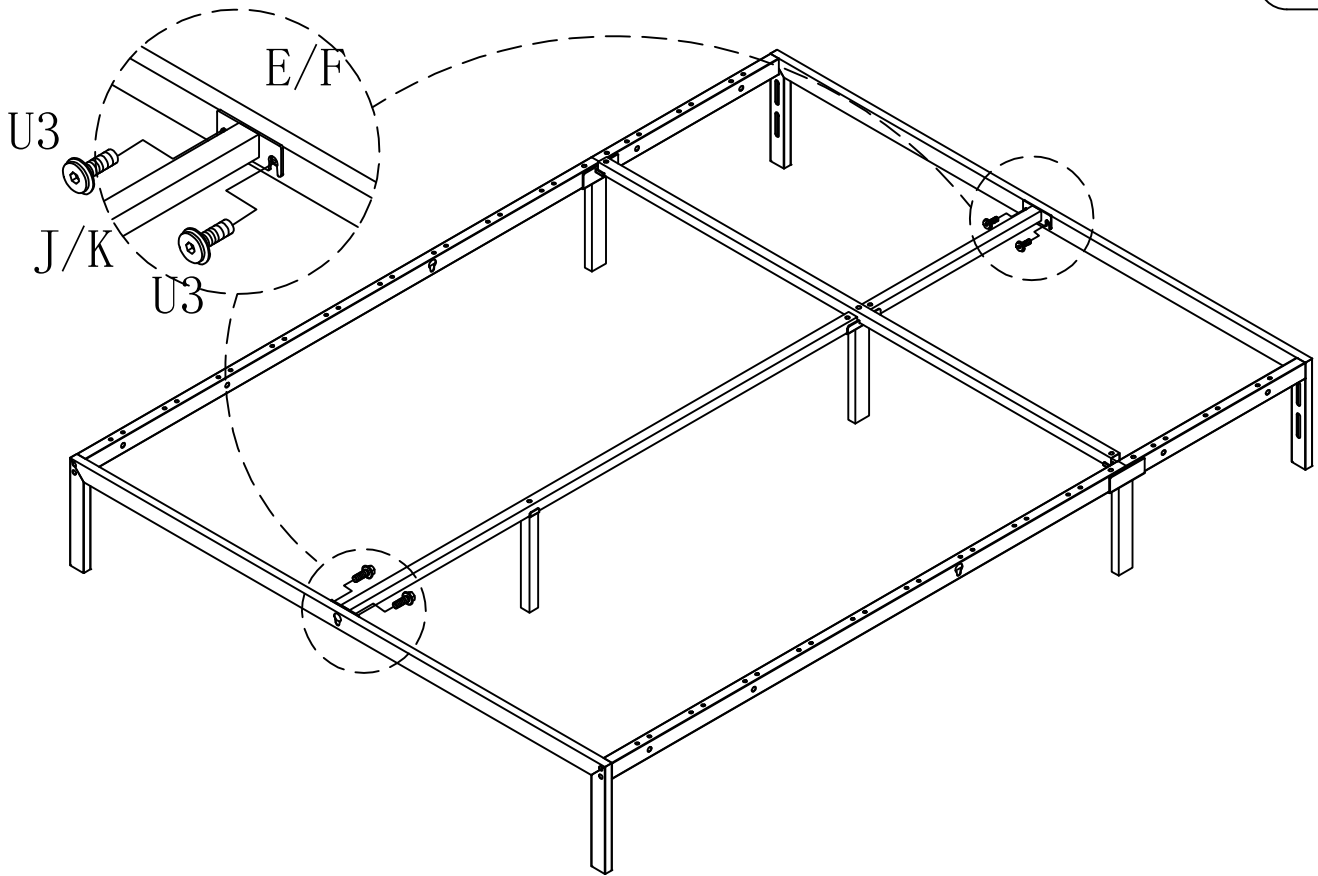


4

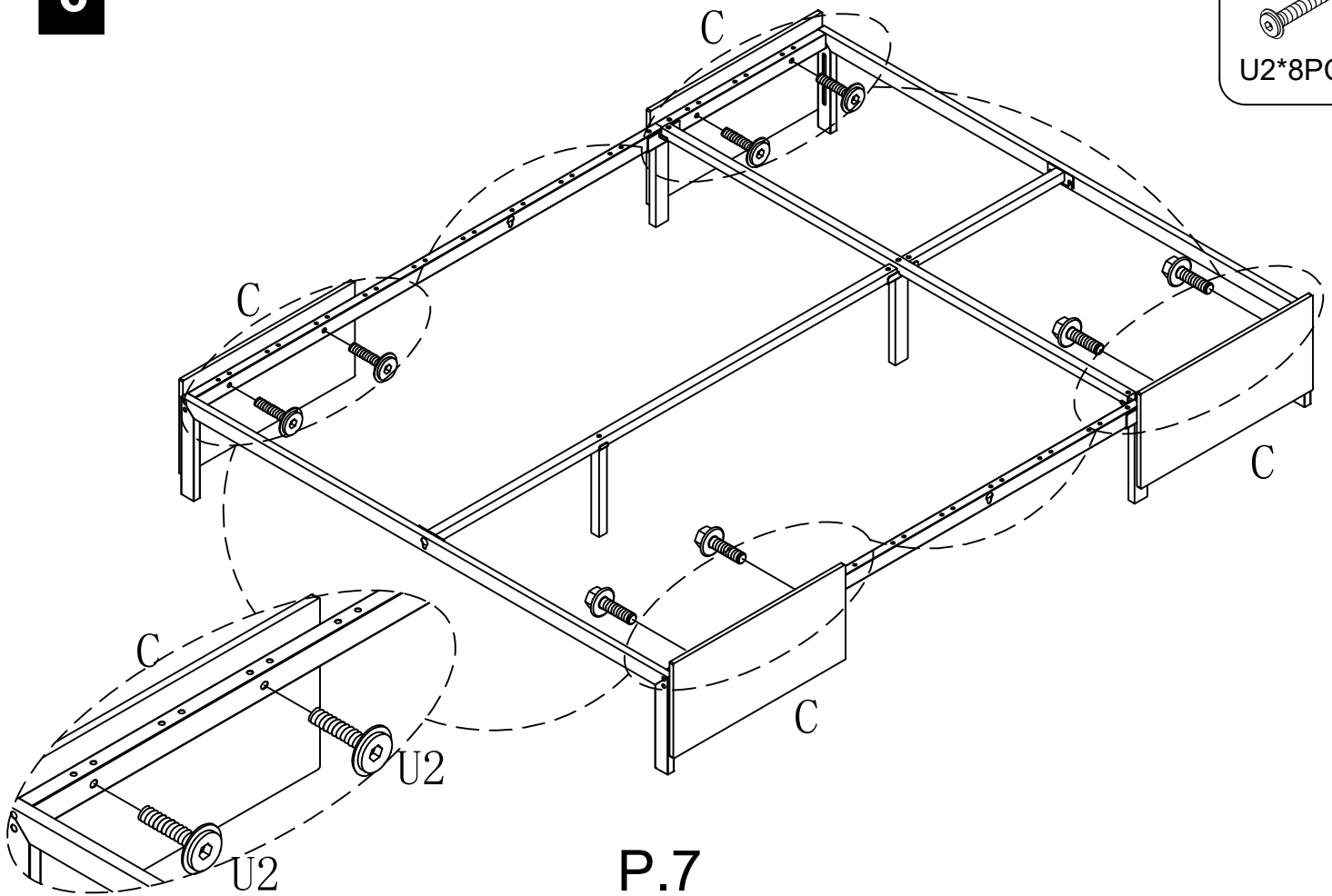


P.6

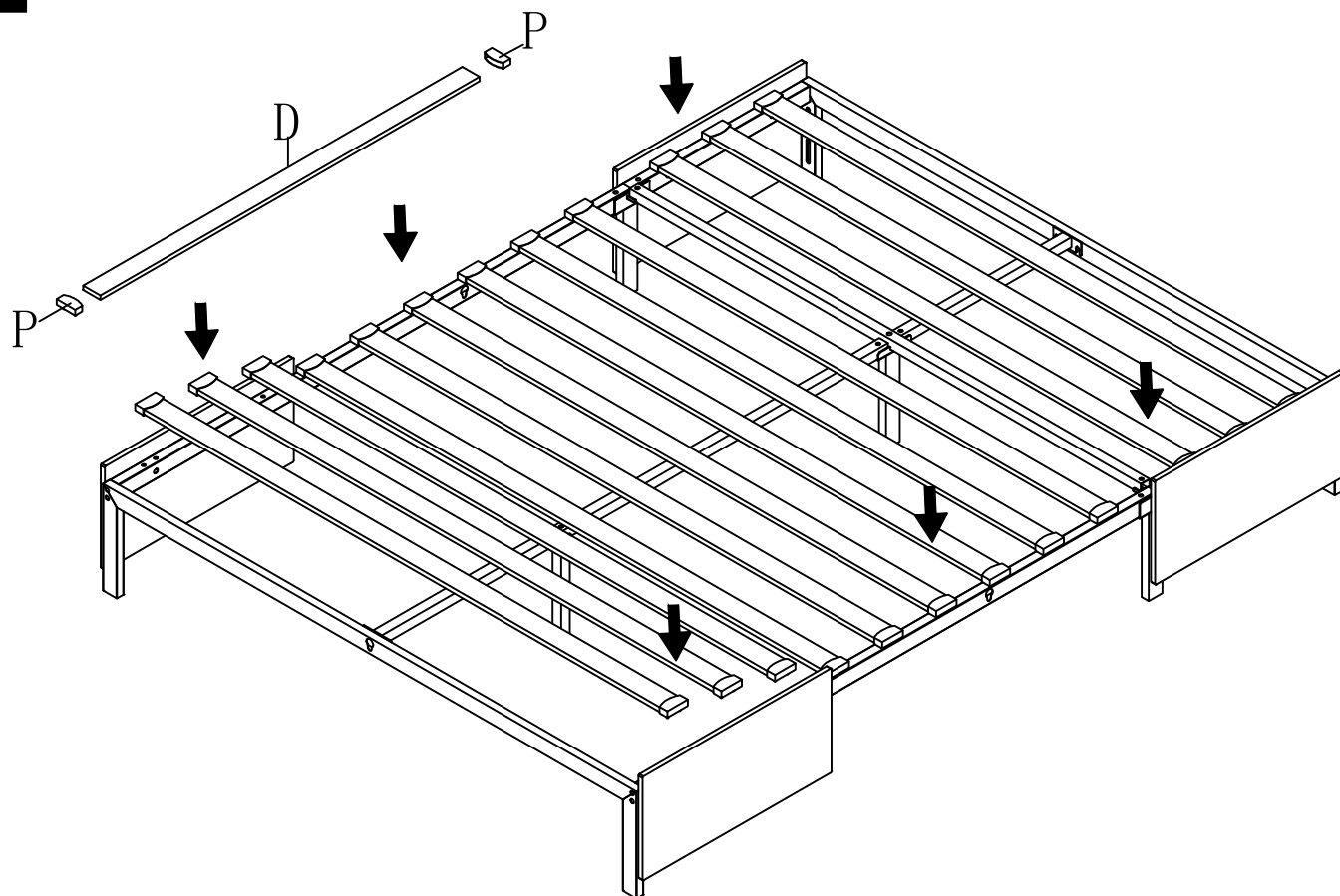
5



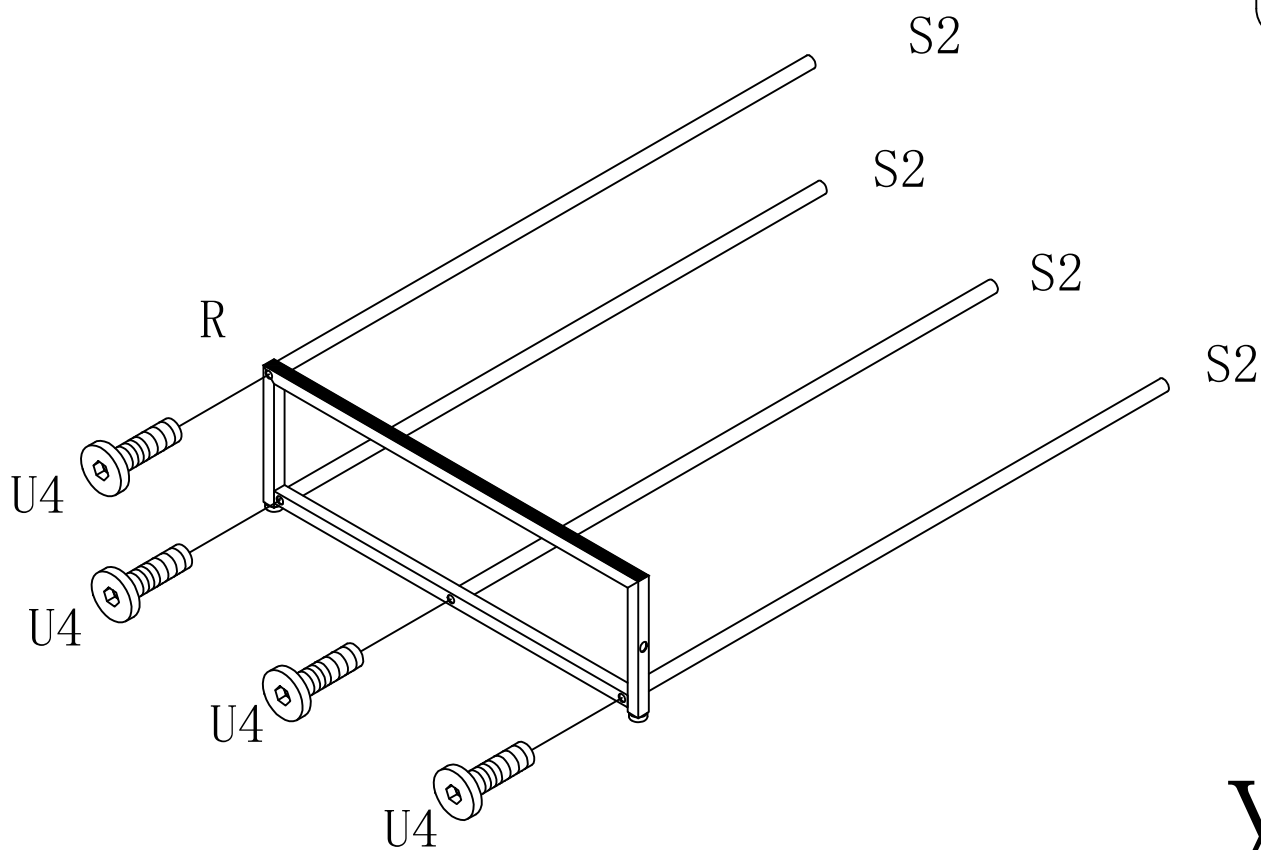
6



7 Lay The Wood Slat



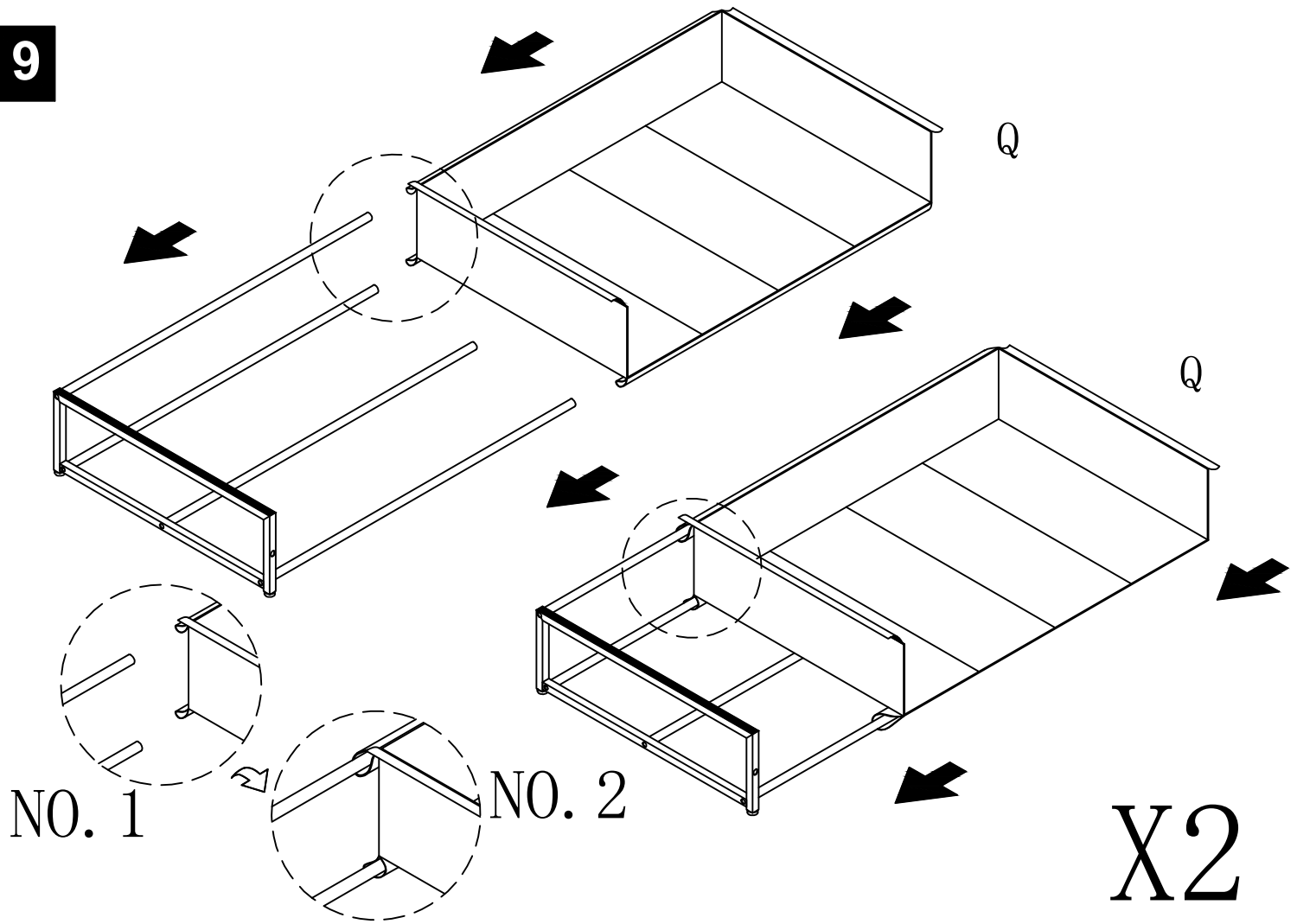
8 Drawer Assembly Steps



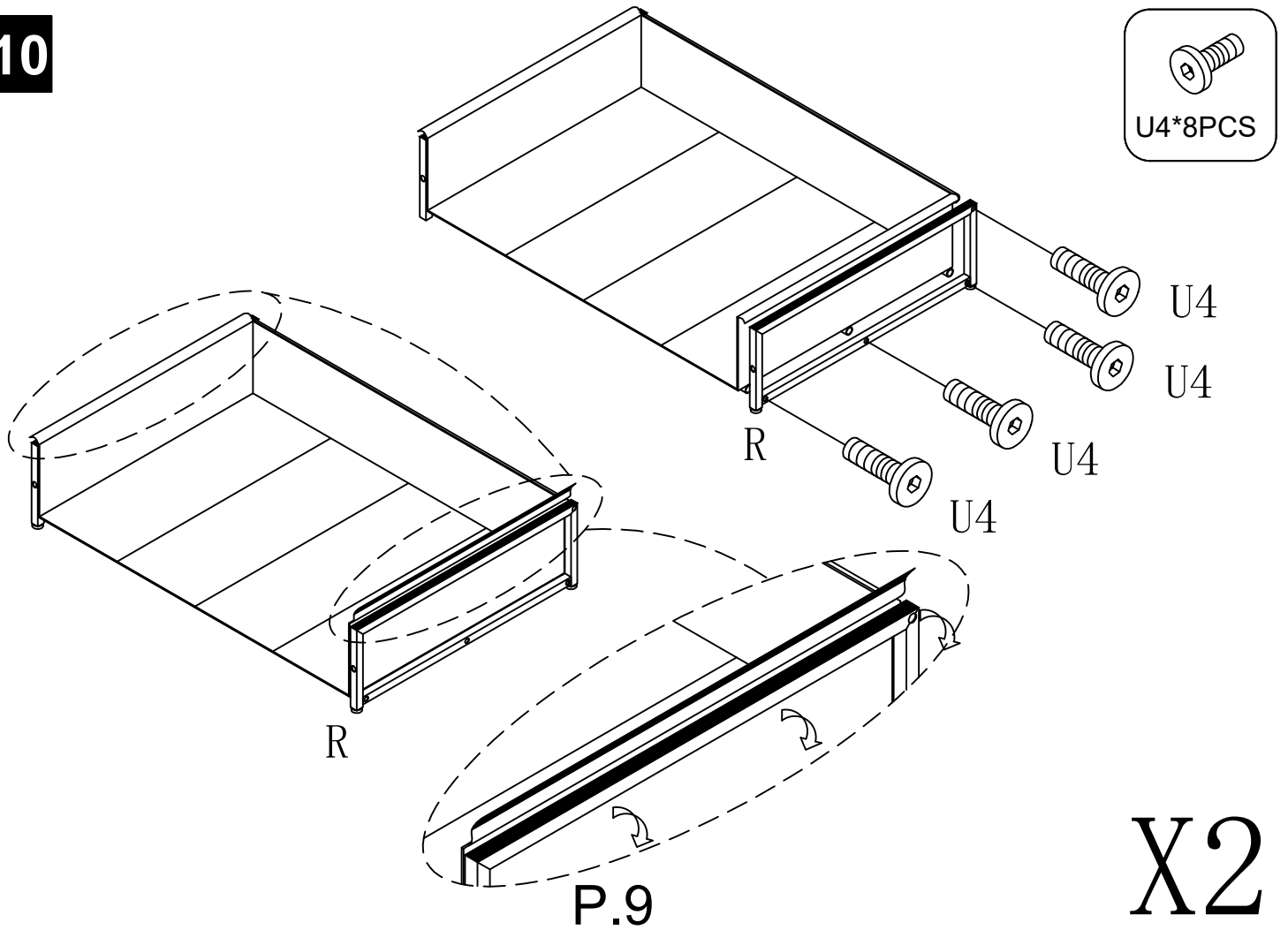
P.8

X2

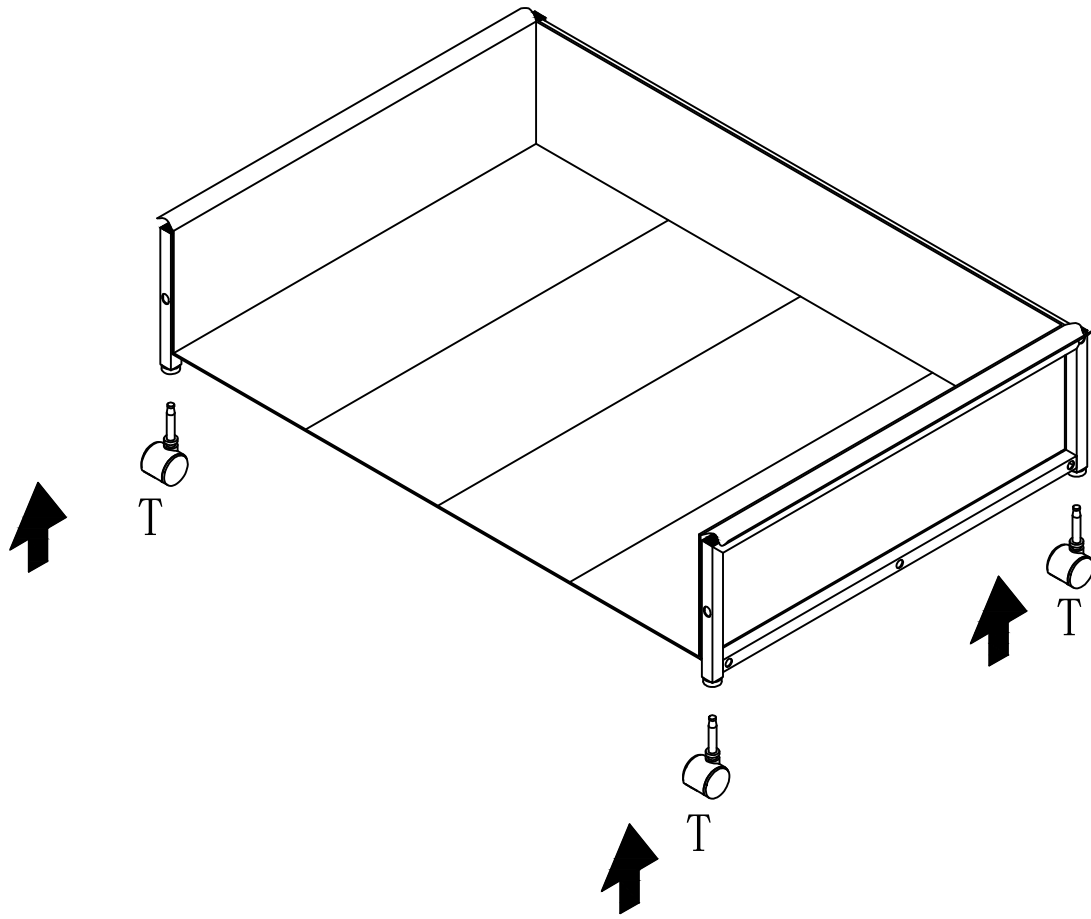
9



10

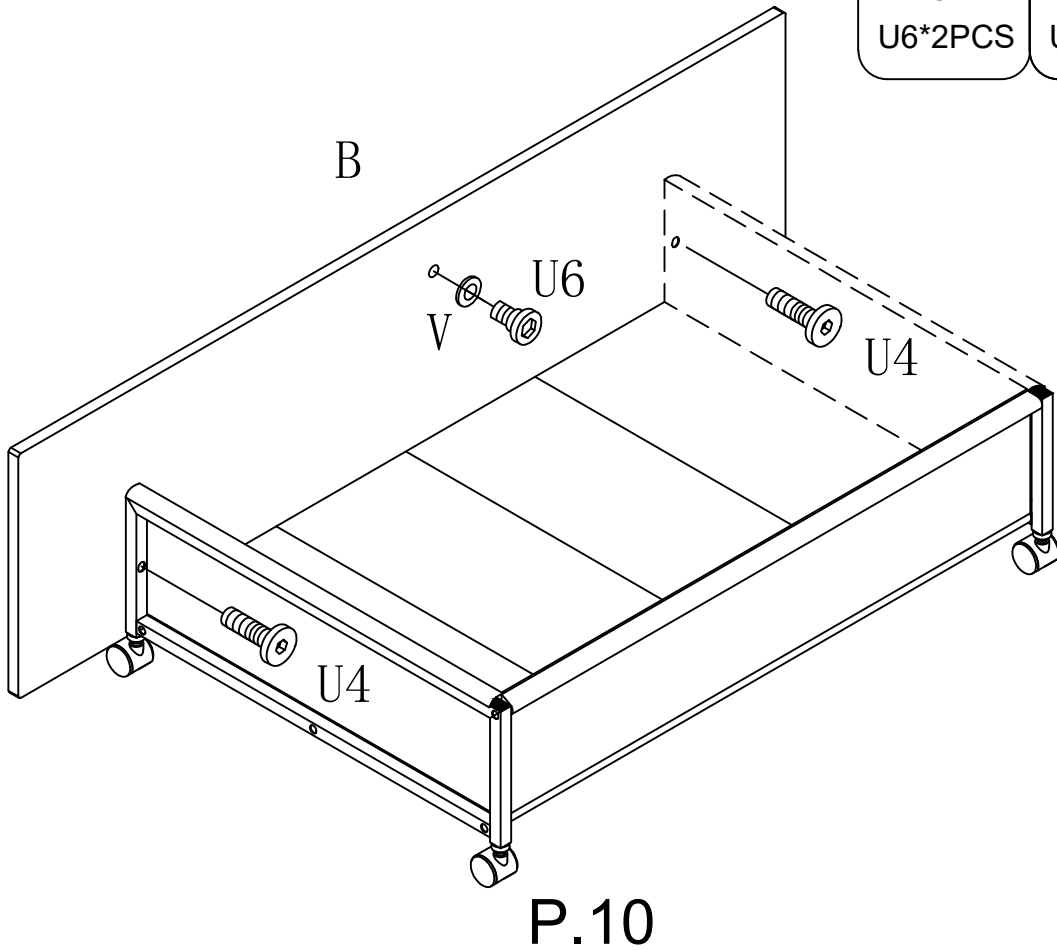


11



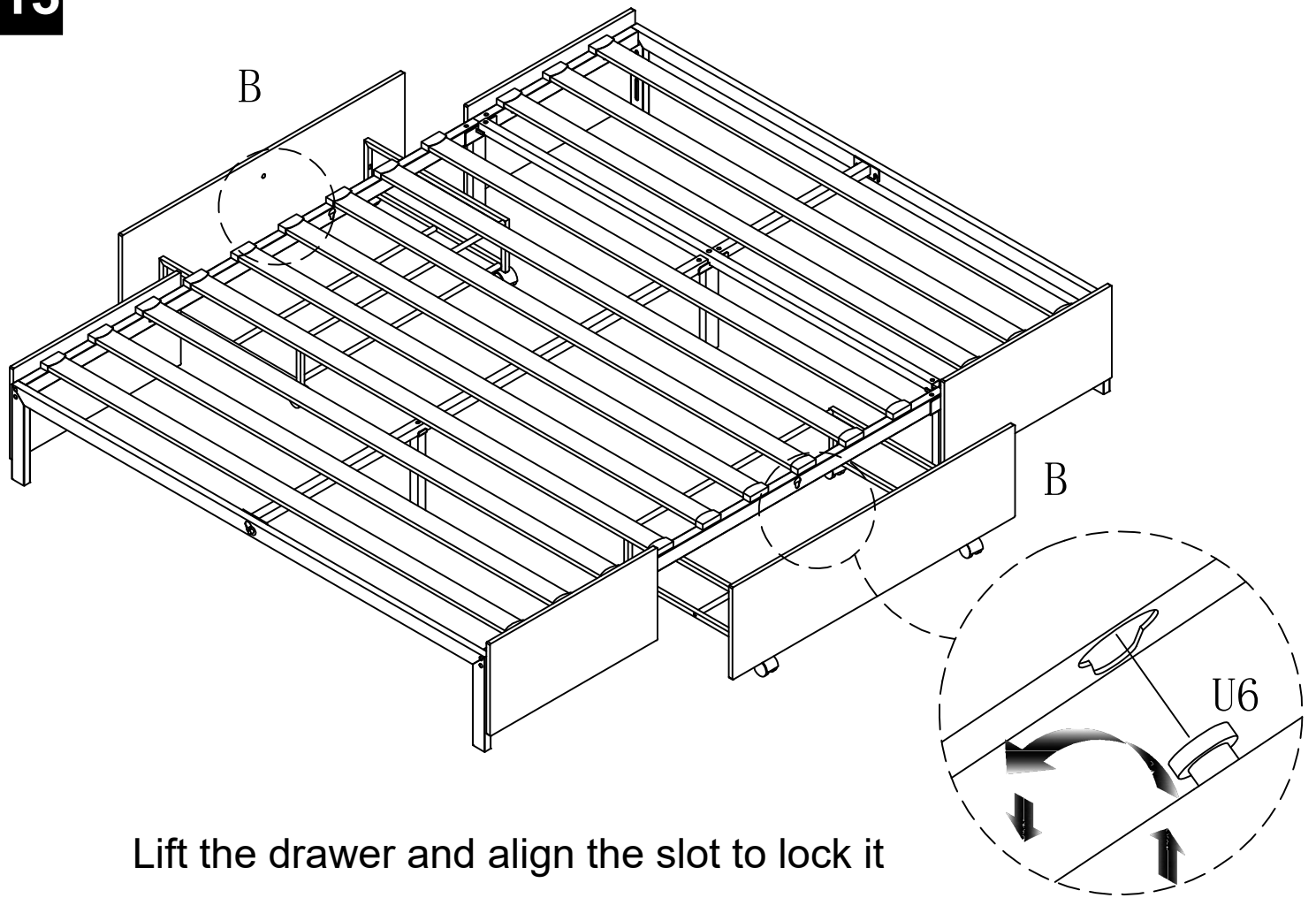
X2

12



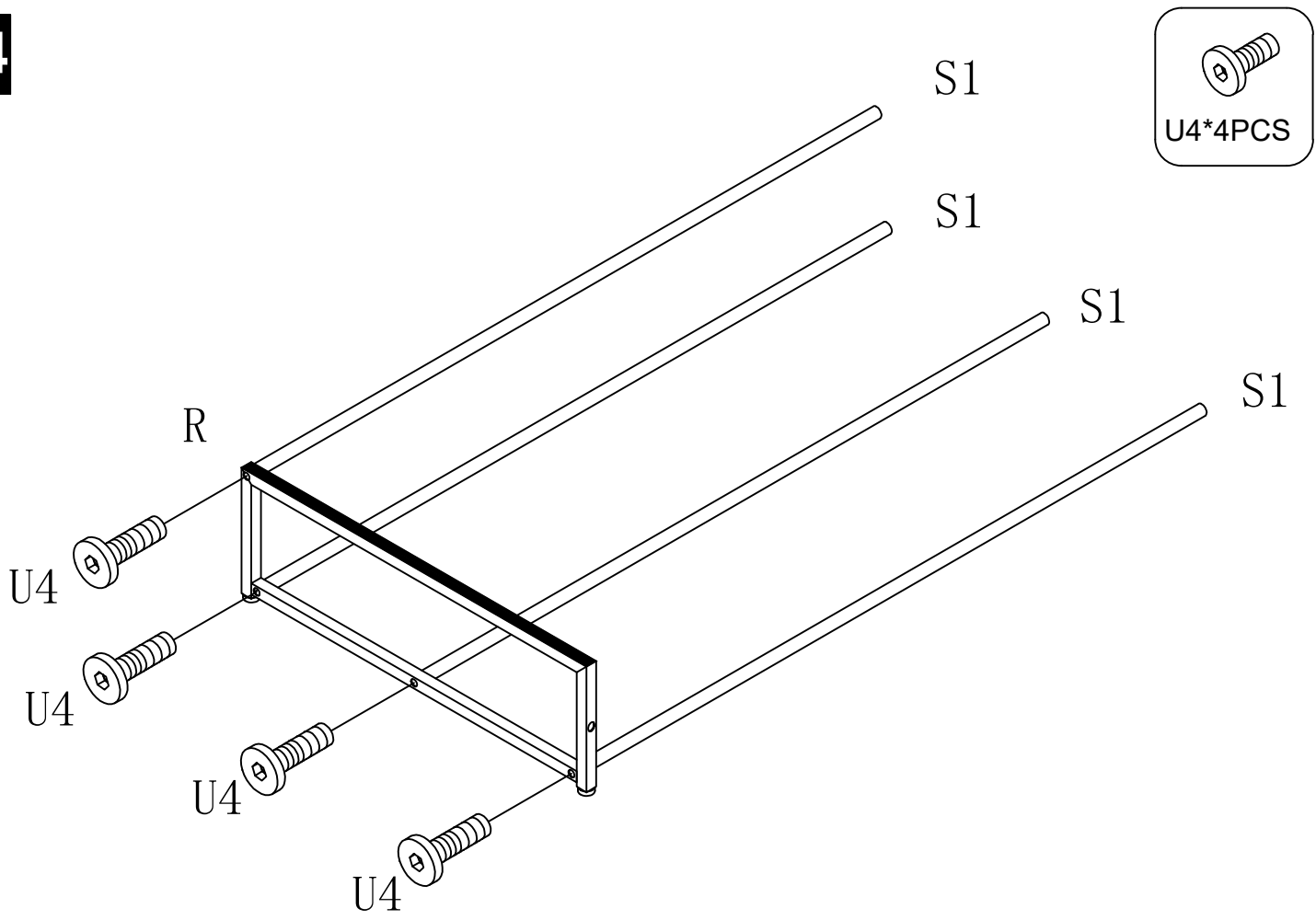
X2

13



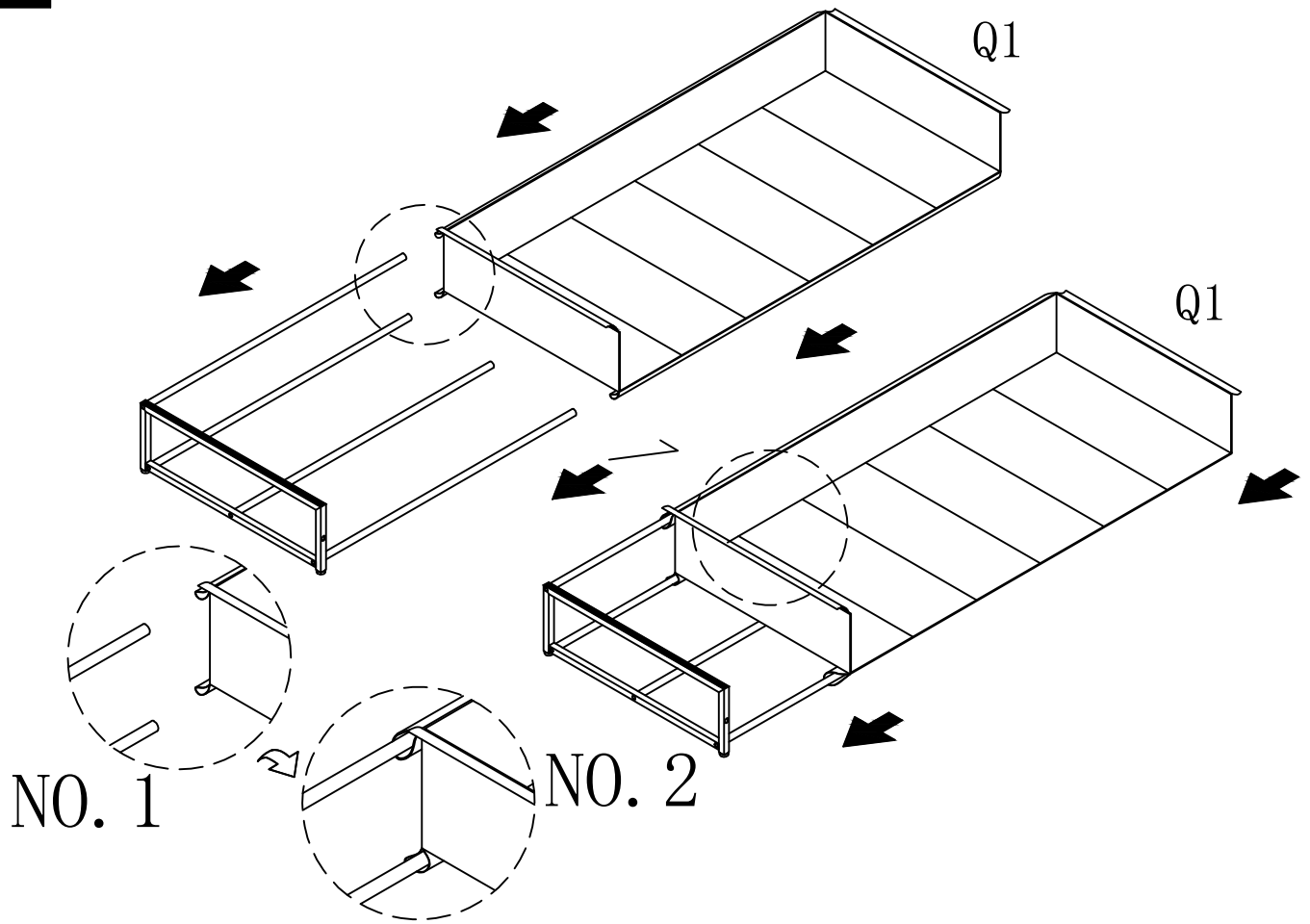
Lift the drawer and align the slot to lock it

14

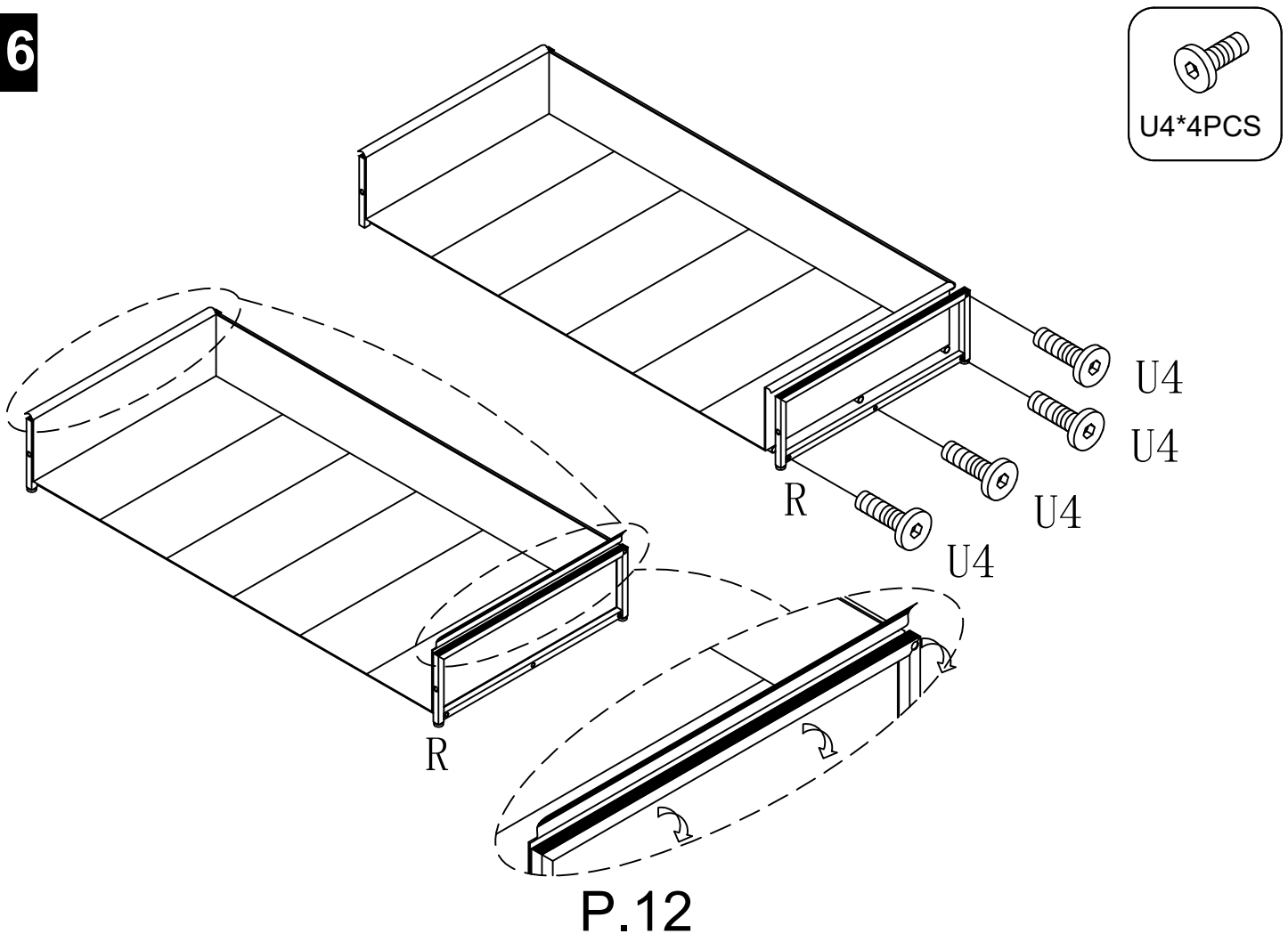


P.11

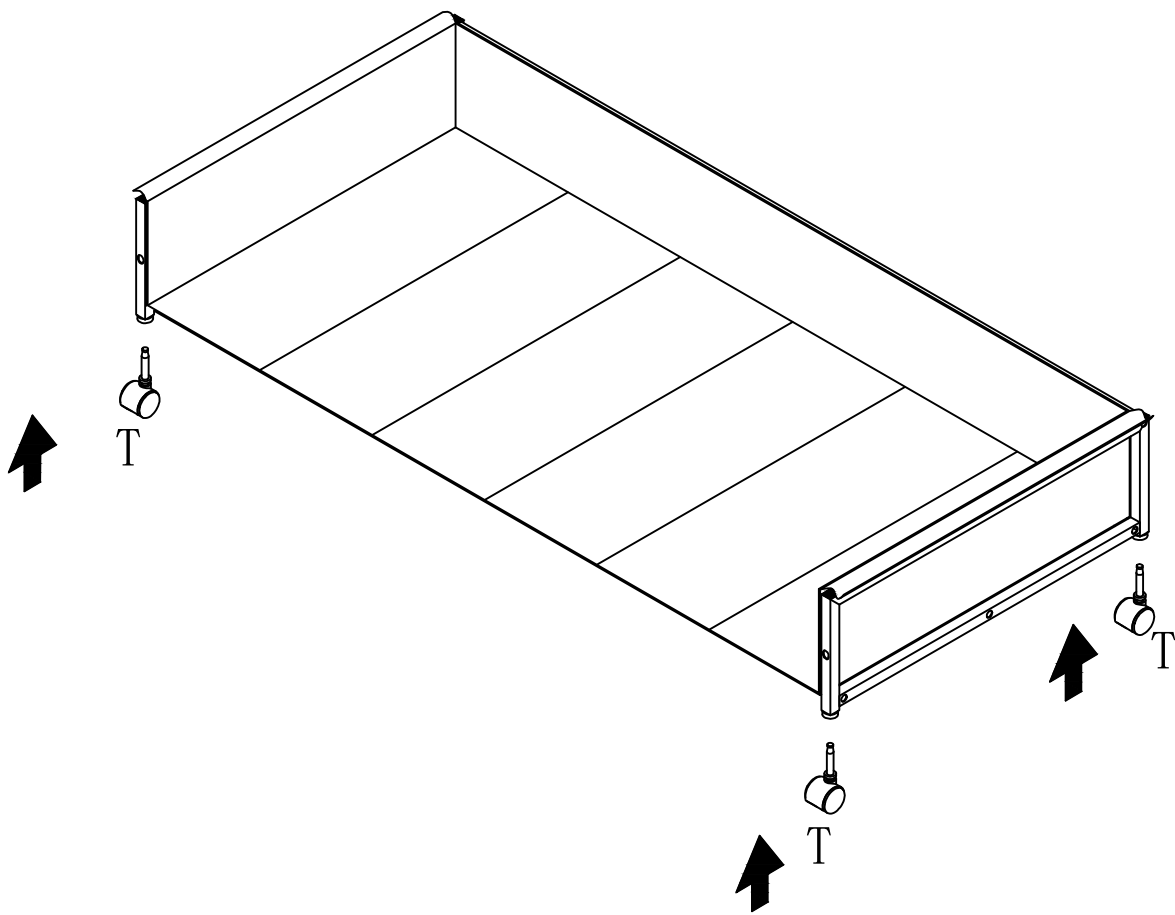
15



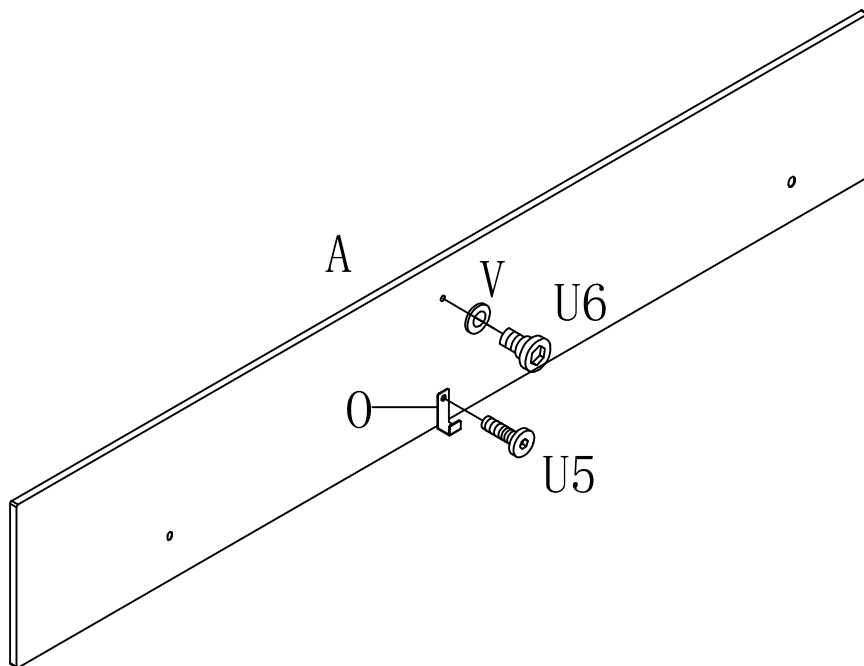
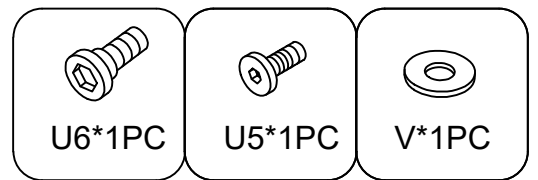
16



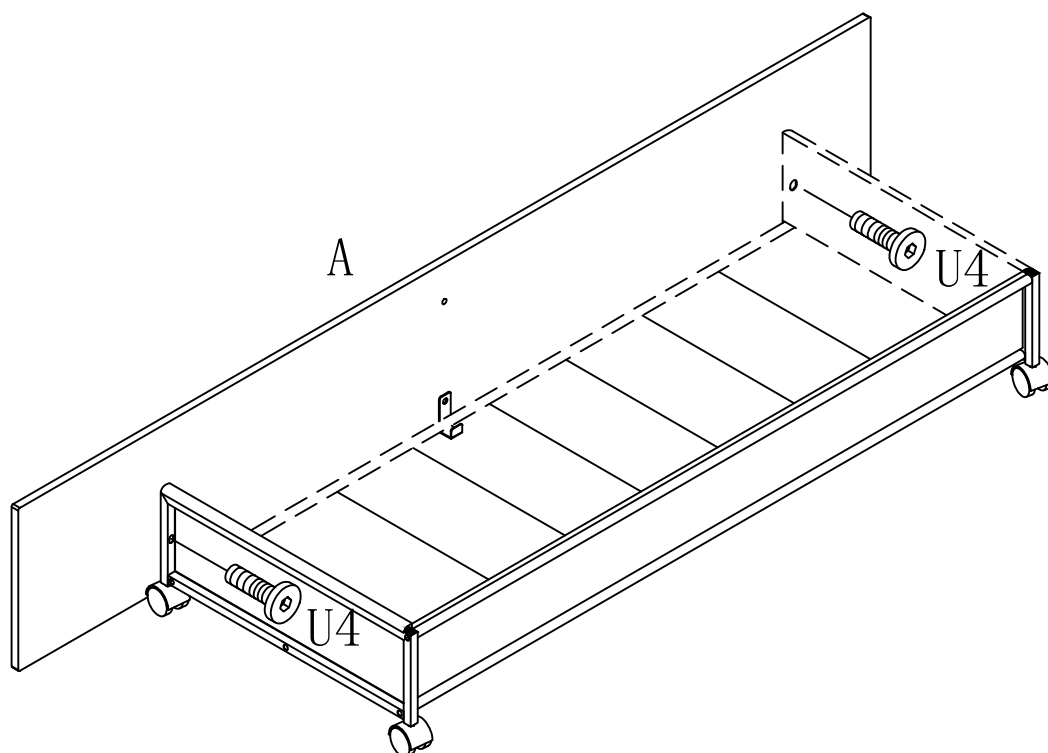
17



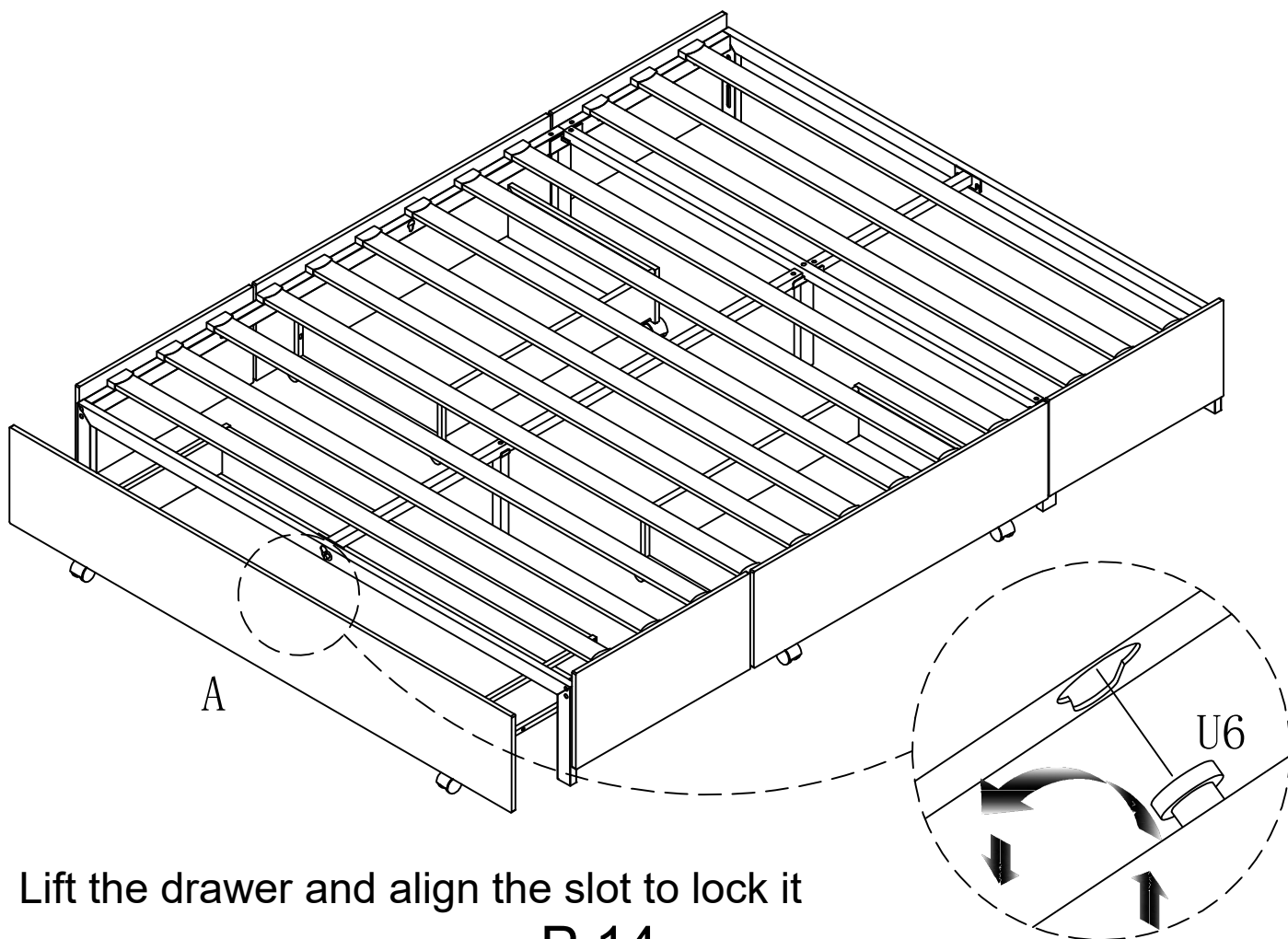
18



19



20



Lift the drawer and align the slot to lock it

P.14

