

ASSEMBLY INSTRUCTIONS



Bar Stool

ASSEMBLY INSTRUCTIONS

ASSEMBLY TIPS:

1. Remove hardware from box and sort by size.
2. Please check to see that all hardware and parts are present prior to start of assembly.
3. Please follow attached instructions in the same sequence as numbered to assure fast & easy assembly.

WARNING!



1. Don't attempt to repair or modify parts that are broken or defective.
Please contact the store immediately.
2. This product is for home use only and not intended for commercial establishments.

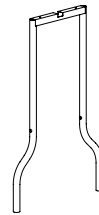
ASSEMBLY TIME

30 MINUTES

PARTS IDENTIFICATION

AN

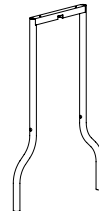
LOWER LEG



1PC

BN

UPPER LEG



1PC

CN

SWIVEL PLATE



1PC

DN

BOTTOM RING



1PC

EN

CUSHION SEAT



1PC

NOTE: QUANTITIES SHOWN ARE FOR ONE STOOL

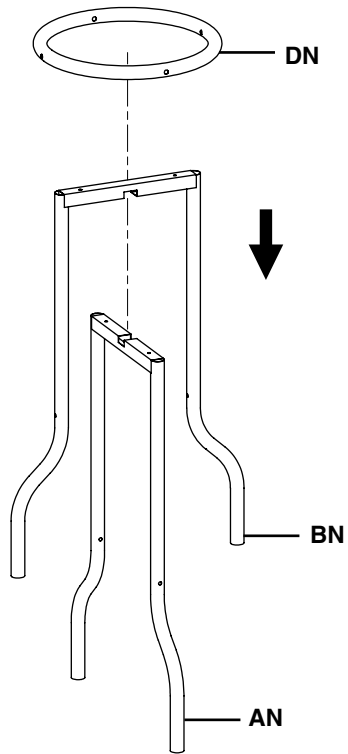
HARDWARE IDENTIFICATION

1	ALLEN BOLT-LARGE (1/4" x 1-1/2"L - SR)		8PCS
2	ALLEN BOLT-SMALL (1/4" x 3/4"L - SR)		4PCS
3	SCREW TUBE (1/4" x 5/8"L - SR)		4PCS
4	WASHER (Φ18mm - SR)		4PCS
5	HEX NUT (5 x 10H mm - SR)		4PCS
6	PLASTIC END CAP (Φ25 x 22mm - BLK)		4PCS
7	ALLEN WRENCH (4 x 20W x 57L mm - SR)		2PCS
8	OPEN END WRENCH (60 x 15mm - SR)		1PC

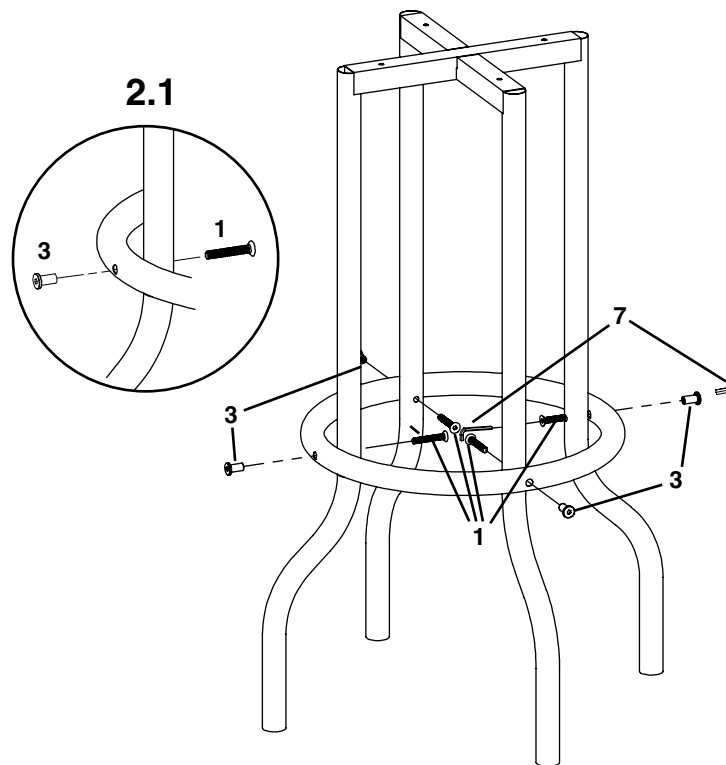
NOTE: QUANTITIES SHOWN ARE FOR ONE STOOL

ASSEMBLY INSTRUCTIONS

STEP 1

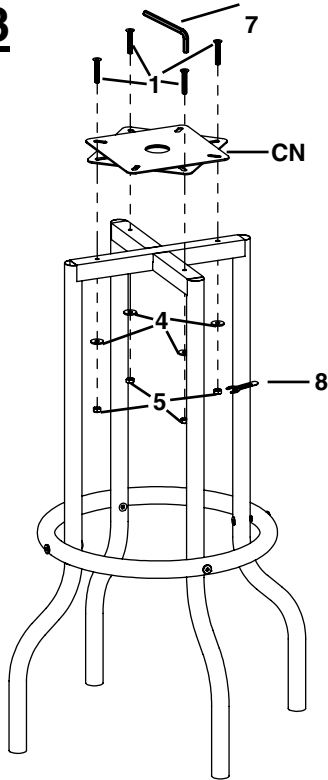


STEP 2

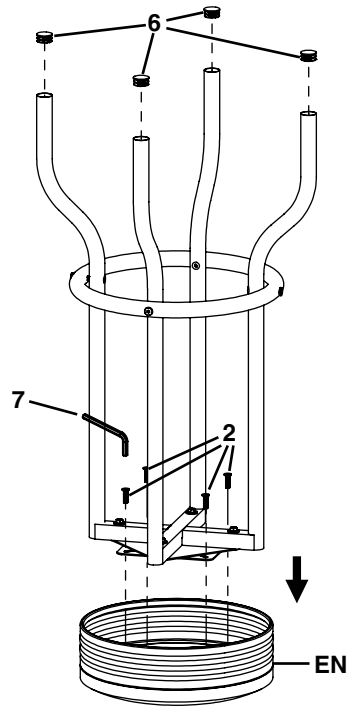


ASSEMBLY INSTRUCTIONS

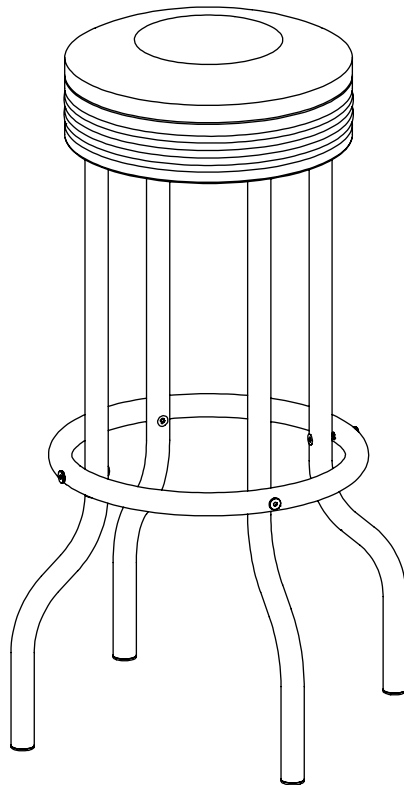
STEP 3

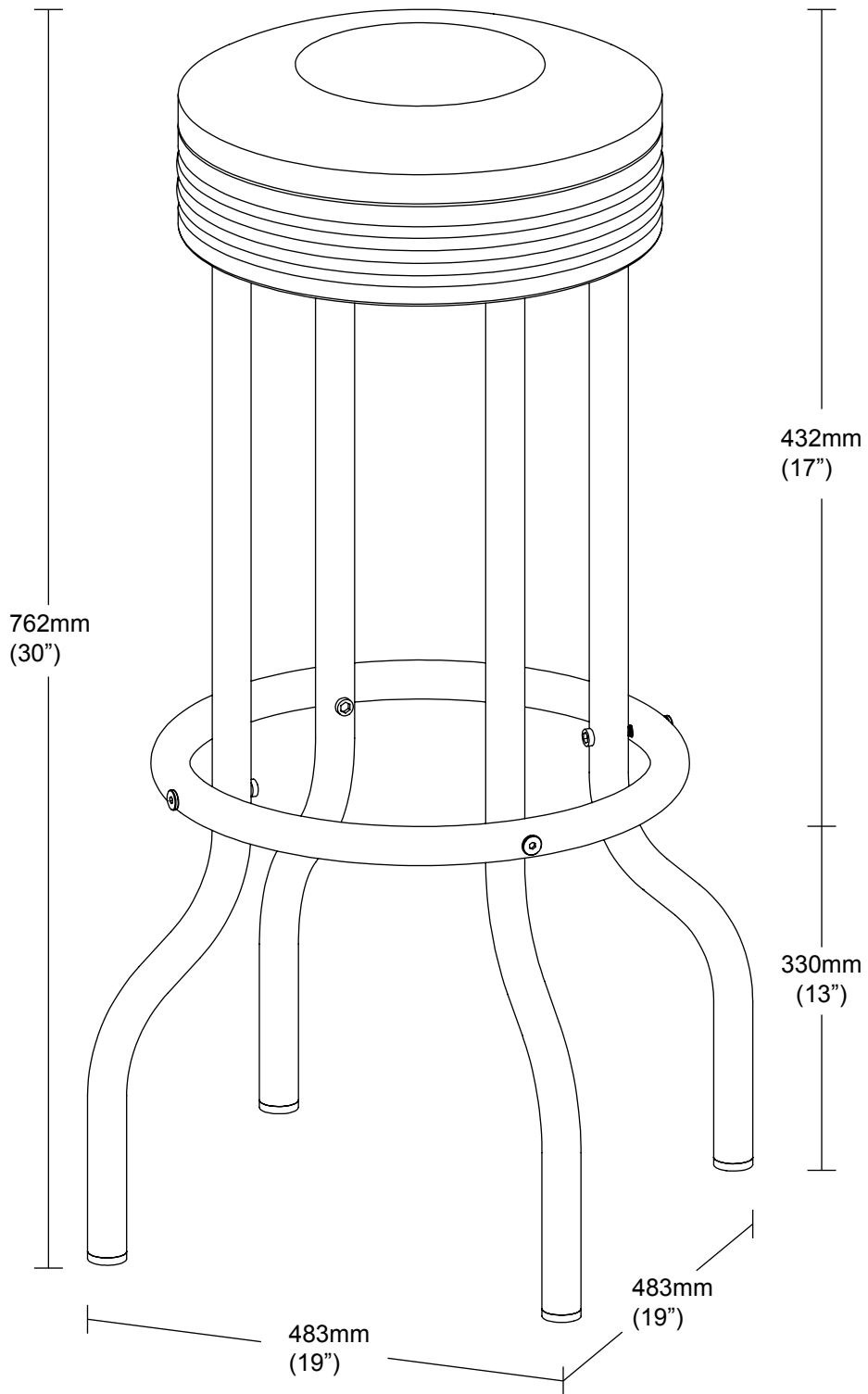


STEP 4



STEP 5 COMPLETE





Note : Dimension tolerance $\pm 5\%$