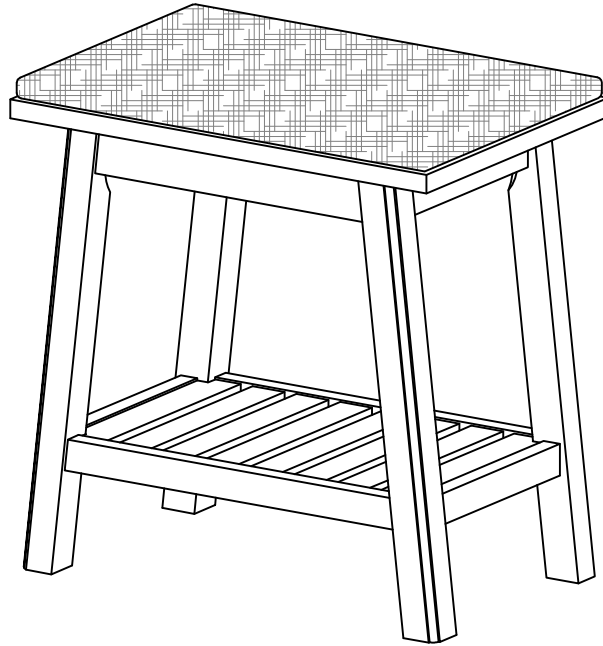


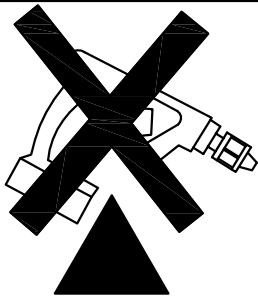
# ASSEMBLY INSTRUCTION

## BATH SINGLE STOOL

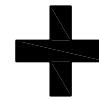
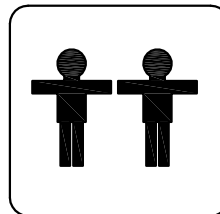


### REPLACEMENT PARTS

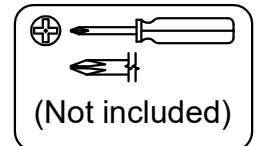
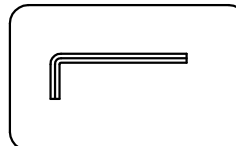
Please do not contact the company purchased from as we can help you faster.



. Use of power tool to assemble this product will invalidate any claim and damage this product making it unsafe !!!  
. Please assemble on a clean soft surface to avoid damage.

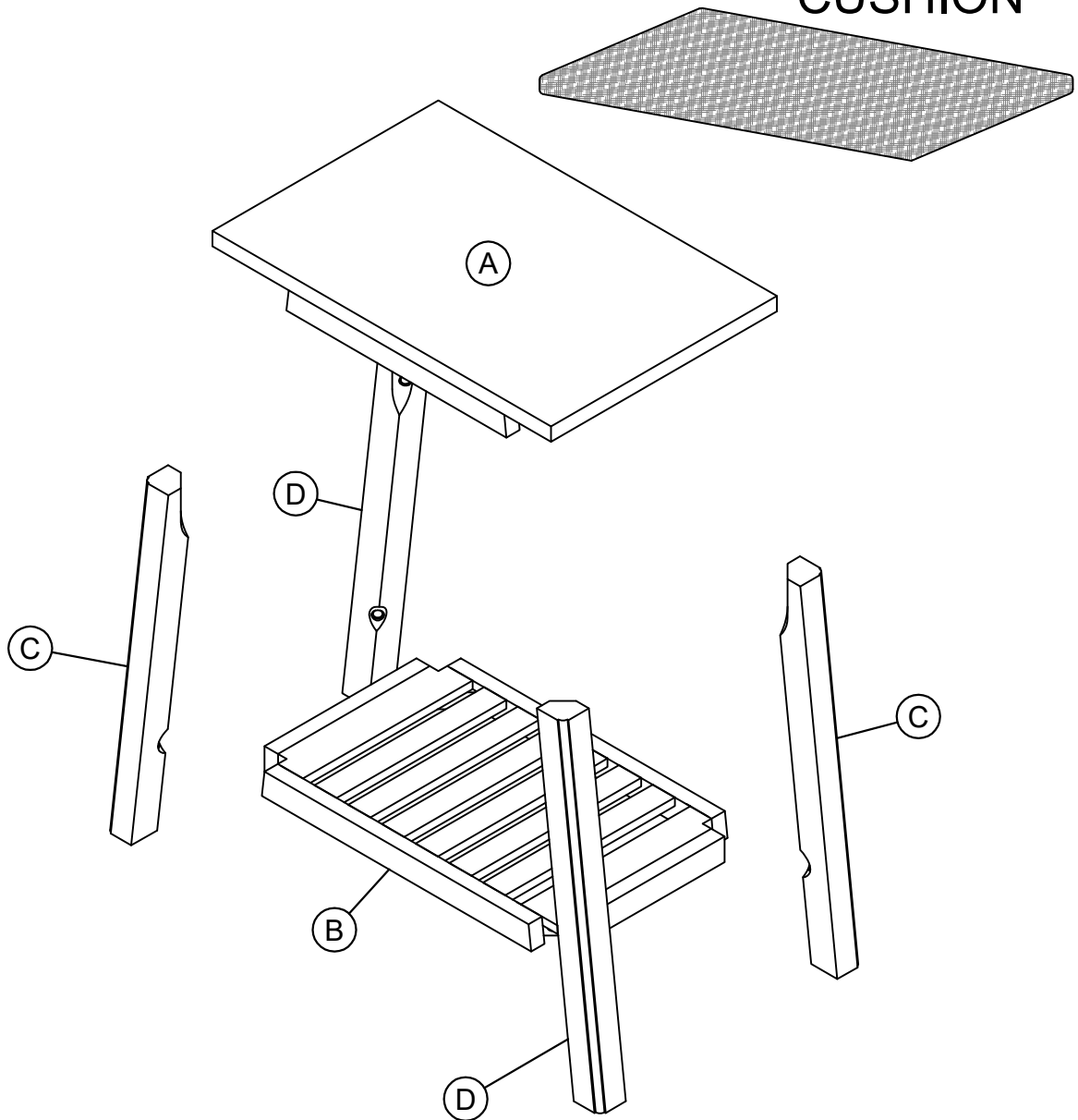


### Tools Required



# Part list -Bath Single Stool

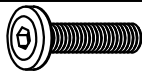
CUSHION



QTY	
(A)	1
(B)	1
(C)	2
(D)	2
Cushion	1

**Identifying the hardware-**Identify the hardware using the illustrations below

1



M6 x 50MM BOLT

12

2

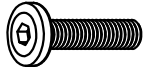


ALLEN KEY

1

# STEP 1

1



M6 x 50MM BOLT

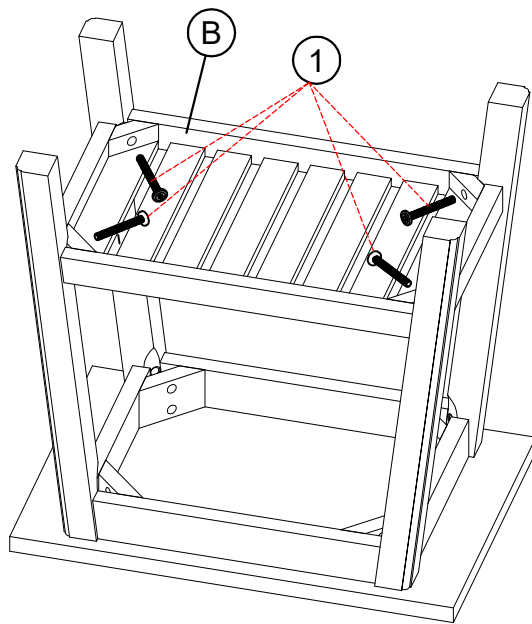
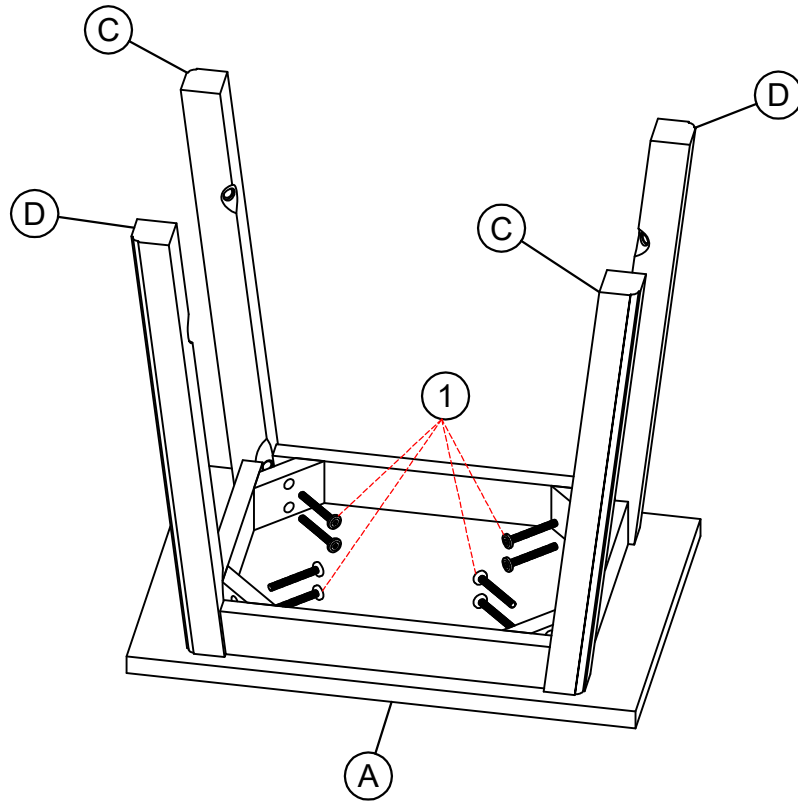
12

2



ALLEN KEY

1



QTY	
(A)	1
(B)	1
(C)	2
(D)	2

# STEP 2

