



# AmgoodSupply

## **Thank you for purchasing our product!**

Issues with your order? Give us a chance to make things right.  
Do not return this item back to the store. Contact our friendly customer service department with any problems, comments or concerns.  
Replacements for missing or damaged parts are shipped within 1 business day.

Email: **Support@AmGoodSupply.com**

## **Please check out our other products**

Stainless Steel Work Tables  
Equipment Stands  
Stainless Steel Shelves  
Commercial & Utility Sinks  
Bakery Racks  
Hood Filters  
Storage Shelving  
Utility Carts  
Dunnage Rack  
Commercial Floor Strainers  
Grease Traps

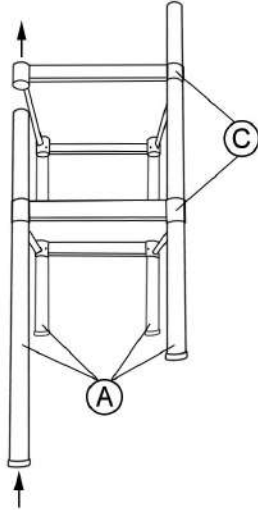
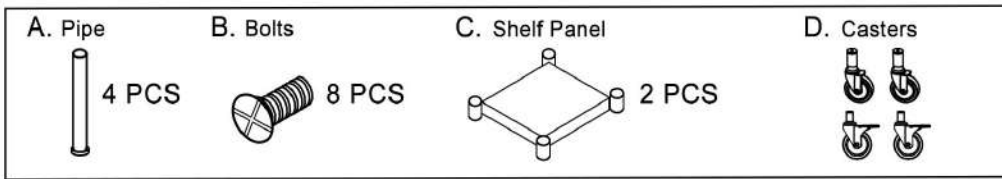
**AmGood Supply** is a leading manufacturer and distributor of stainless steel and metal products for commercial and residential applications.

Our customers include homeowners, restaurants, retail and manufacturing businesses, non-profits, as well as state, local, and federal government agencies.

**WWW.AMGOODSUPPLY.COM**

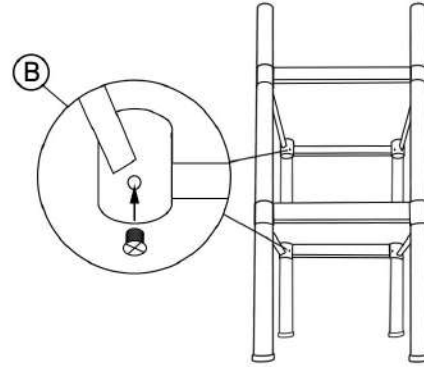
# Rice Cooker Wormer Assembly Instruction

## Accessories



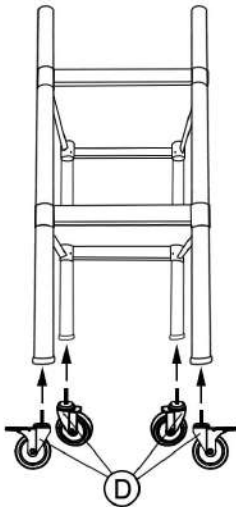
### 1. Insert Legs Through Shelves.

Slide all four legs through the holes in both shelves, aligning them with the corresponding corner openings.



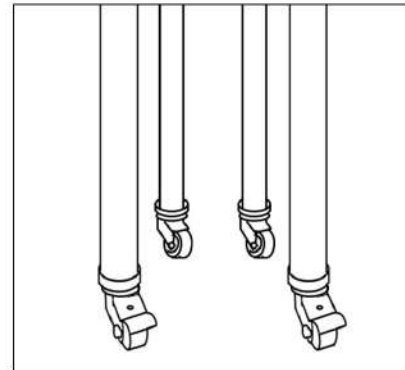
### 2. Adjust Shelf Height.

Set the shelves at your desired height. Insert the screws into the designated holes to hold the shelves in place, but do not fully tighten them yet.



### 3. Install Expandable Casters.

Insert the caster stem into the leg opening of the work table. Tighten the top expansion nut using a wrench until the caster is securely locked in place.



### 4. Final Tightening.

Once everything is properly aligned and level, fully tighten all screws. Double-check that all components are secure and stable.

