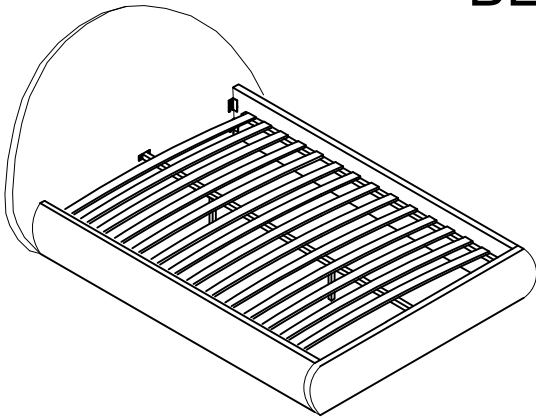


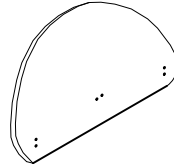
# ASSEMBLY INSTRUCTIONS

## BED - TWIN

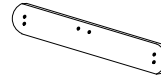


### + Parts Included

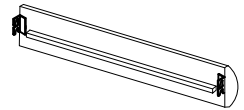
① Head Board  
(1pc)



② Foot Board  
(1pc)



③ Side Rails  
(2pcs)



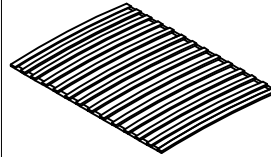
④ Center Support  
Bar(1pc)



⑤ Support  
Legs(2pcs)



⑥ Slats joint  
(1set=12pcs)

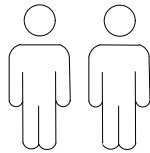


\*Slats come packed  
in the bottom of  
headboard carton.

+ Do Not Use  
Power Tools



+ Suggested  
Adults



NOTE :

- 1 Read instructions cover to cover.
- 2 Save all packaging until assembly is completed.

### 1 IMPORTANT SAFETY INFORMATION

Do not assemble the product if any of the following parts arrived damaged:

- Part #③ -Side Rails
- Part #④ -Center Support Bar
- Part #⑤ -Support Legs
- Part #⑥ -Slats joint

### 2 IMPORTANT ASSEMBLY INFORMATION

Assembly Step ② Ensure the side rail bracket is fully hooked onto bolt **A** loosely threaded with both washers on the **OUTSIDE** of the bracket first, then proceed to fully tightening all 4 corners.

\*Slats come packed in the bottom of headboard carton.

### + Hardware Included

A Bolt M8\*40mm  
( 16pcs)



C Spring Washer  
(8pcs)



E Flat Washer  
Φ20(16pcs)



F M8 Allen Key  
( 1pc)



I Nut M8\*13mm  
(4pcs)

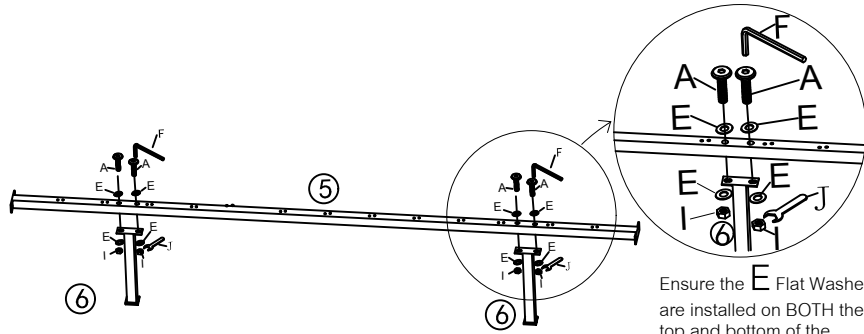


J Spanner  
( 1pc)



# ASSEMBLY INSTRUCTIONS BED - TWIN

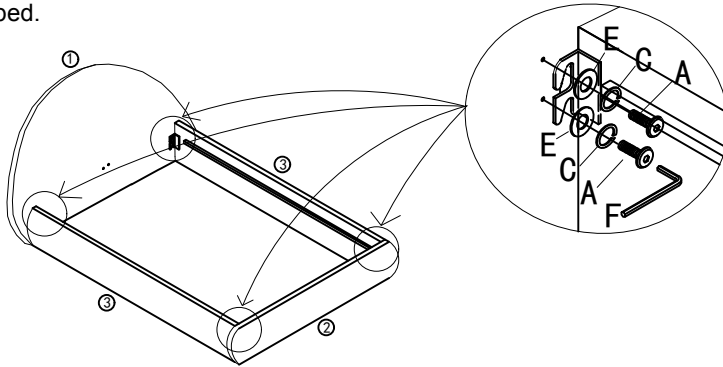
①



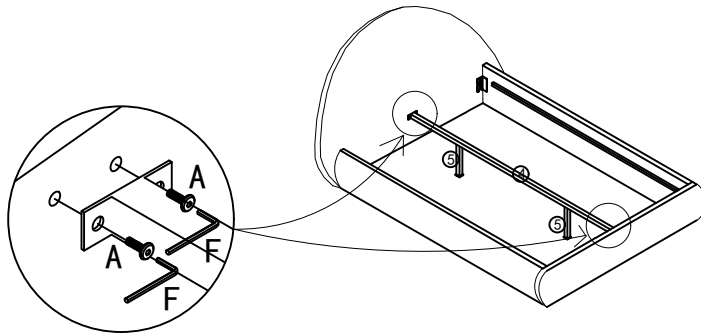
Ensure the E Flat Washers are installed on BOTH the top and bottom of the Center Support bar!

②

Repeat this step for each corner of the bed.



③



④

