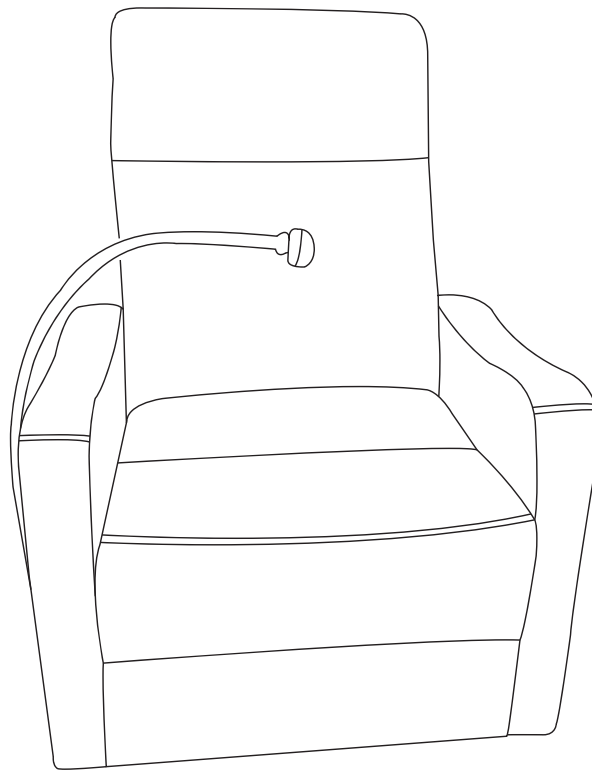


Assembly Manual

SOFA

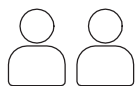


Please read this manual carefully before any operation and keep it properly for future use.

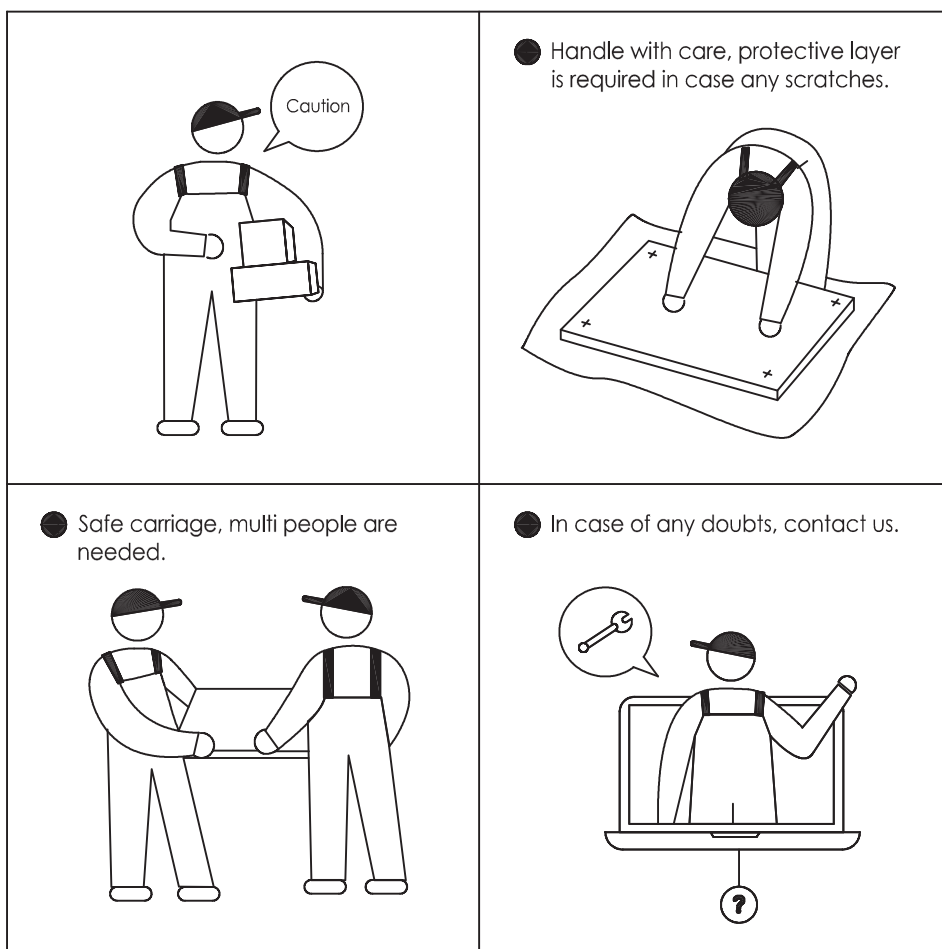
Assembly note:

15 min

Assembly Time



Two People

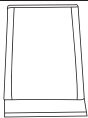
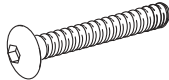
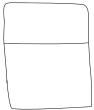
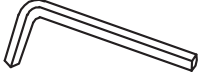

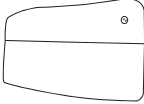
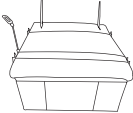
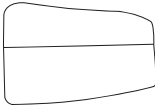




CONTACT US

If you have any problems or concerns about your purchase, please get in touch with our customer service(_____) as soon as possible and we will do everything we can to help.

You will be highly appreciated if you can put your order number in the email title so that we can deal with it efficiently.

Components List

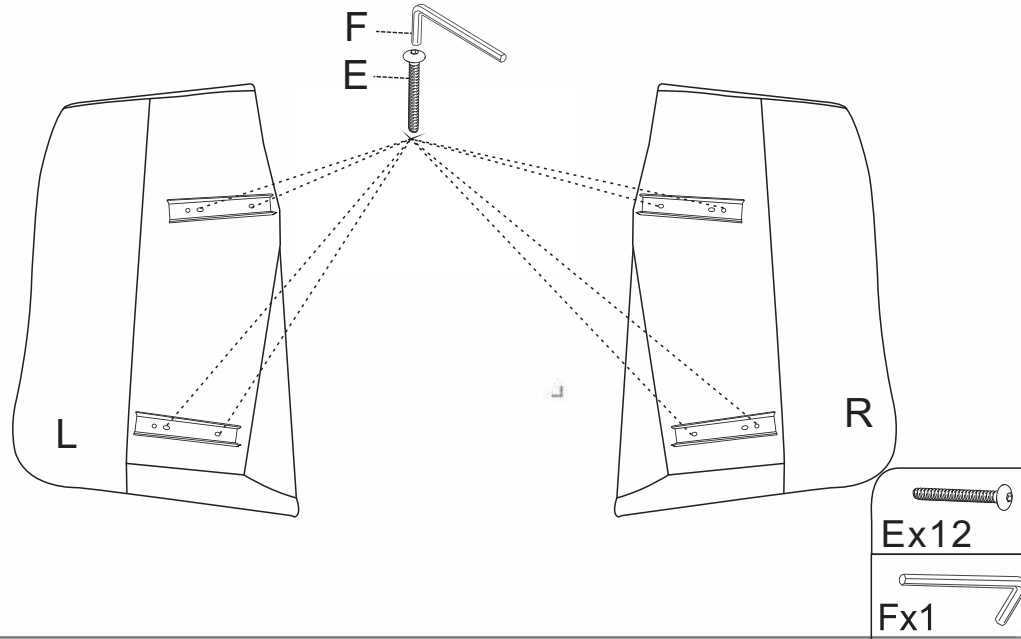
NO.	PARTS	QTY	NO.	PARTS	QTY
A		1	E		12+1
B		1	F		1
C		1	L		1
D		1	R		1
G		4	I		1

Note: The number after “+” sign indicates the extra piece(s).

Assembly Instruction

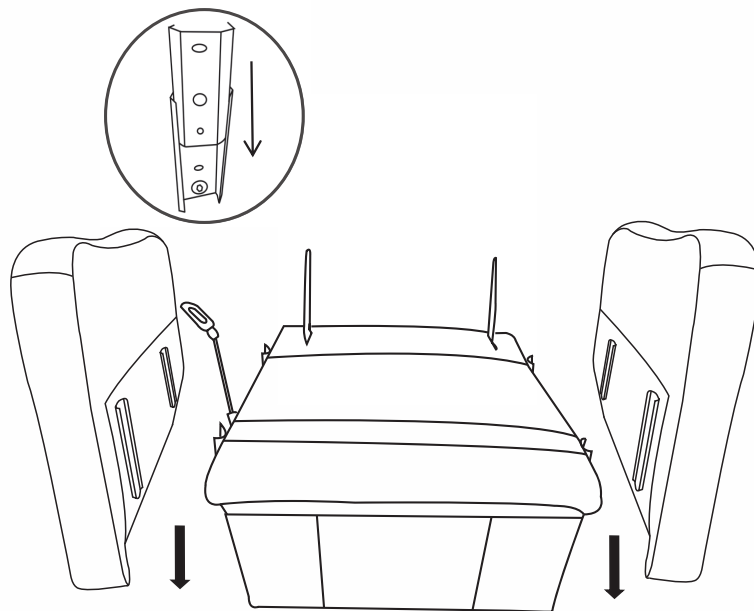
STEP 1

Attach metal connectors(G) to the armrests(L&R) using bolts(E) and Allen key(F).



STEP 2

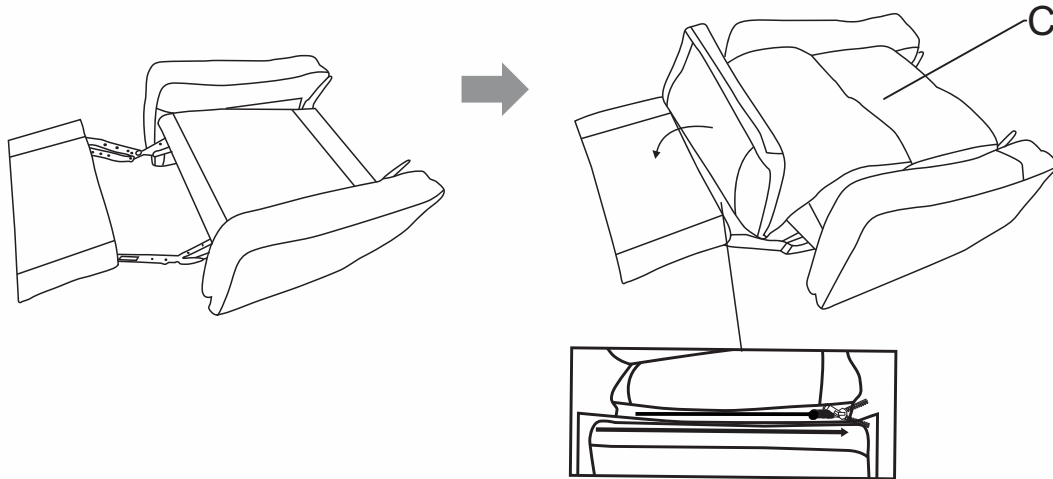
Slide the armrests into the slot of metal connectors on the seat cushion frame(D)



Assembly Instruction

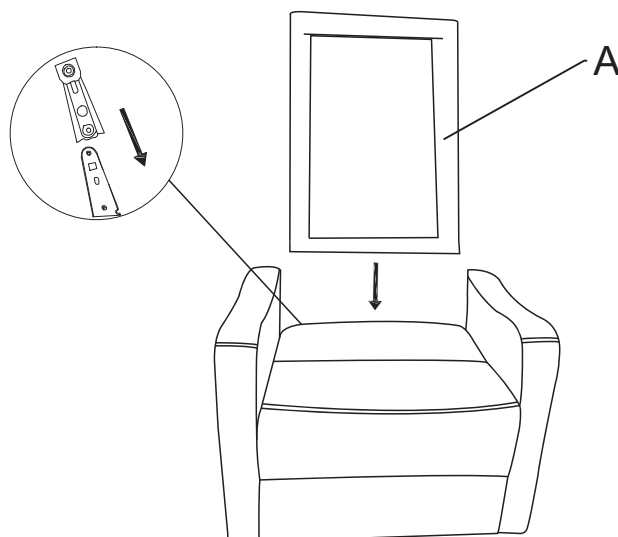
STEP 3

Pull the footrest out of the frame, and put cushion soft bag (C) on the frame, then zip it up using zipper, and fix them using Velcro.



STEP 4

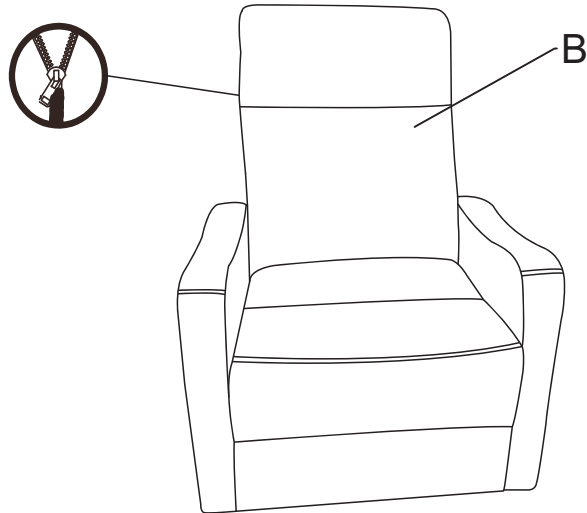
Fold the footrest, attach back frame (A) to the seat cushion frame by sliding into the slot of metal connectors.



Assembly Instruction

STEP 5

Put the back cushion soft bag(B) on the back frame then zip them up.



STEP 6

Attach mobile phone support to the right arm rest using bolt and Allen key. The assembly is done.

