

Electric Patio Heater

Ceiling Type

1800W 220-240V 50Hz

Operating Instruction



Thank you for choosing our Electric Patio Heater. This owner's manual will provide you with valuable information necessary for the proper care and maintenance of your new product. Please take a few moments to thoroughly read the instructions and familiarize yourself with all the operational aspects of

your new heater.

This appliance can be used by children aged from 8 years and above and persons with reduced physical, sensory or mental capabilities or lack of experience and knowledge if they have been given supervision or instruction concerning use of the appliance in a safe way and understand the hazards involved. Children shall not play with the appliance. Cleaning and user maintenance shall not be made by children without supervision.

WARNING: This heater is not equipped with a device to control the room temperature. Do not use this heater in small rooms when they are occupied by persons not capable of leaving the room on their own, unless constant supervision is provided.

Children of less than 3 years should be kept away unless continuously supervised.

Children aged from 3 years and less than 8 years shall only switch on/off the appliance provided that it has been placed or installed in its intended normal operating position and they have been given supervision or instruction concerning use of the appliance in a safe way and understand the hazards involved. Children

aged from 3 years and less than 8 years shall not plug in, regulate and clean the appliance or perform user maintenance.

CAUTION — Some parts of this product can become very hot and cause burns. Particular attention has to be given where children and vulnerable people are present.

IMPOTANT INSTRUCTIONS

When using this electric unit, basic safety precautions should be followed to reduce the risk of fire, electric shock, and injury to persons, including the following:

1. **M**ount the heater outside or in a large open area and well away from any obstructions such as branches or where the heater is near any objects that can be affected by heat, such as furniture, curtains or other inflammable objects (minimum distance 1 meter).
2. **D**o not position immediately above or below an electrical socket.
3. **T**he unit must be placed with the clearance of 180cm to the floor and 30cm to the ceiling.
4. **W**hen the power supply cord is damaged, it must be replaced by authorized agent or other professional people to avoid danger.
5. **T**his appliance is not intended for use by persons (including children)

with reduced physical. **S**ensory or mental capabilities, or lack of experience and knowledge, unless they have been given supervision or instruction concerning use of the appliance by a person responsible for their safety.

6. **C**hildren should be supervised to ensure that they do not play with the appliance.
7. **R**ead ALL instructions before using this unit.
8. **CAUTION:** Risk of Electric Shock. **D**O NOT open or try to repair the heater yourself.
9. **T**his heater may get hot when in use. **T**o avoid burns, **D**O NOT let bare skin touch hot surfaces. **I**f provided, use handles when moving this heater.
10. **K**eepest combustibles, such as furniture, pillows, bedding, paper, clothes, and curtains at least 3 ft from the front of the heater and keep them away from the sides, top, and rear. **D**O NOT place towels or other objects on the heater.
11. **E**xtrême caution is necessary when any heater is used by or near children or the disabled, or when the heater is left operating and unattended.
12. **T**he appliance is not to be used by children or persons with reduced

physical, sensory or mental capabilities, or lack of experience and knowledge, unless they have been given supervision or instruction.

Children being supervised not to play with the appliance

13. **DO NOT** operate any heater with a damaged cord or after the heater malfunctions, has been drooped or damaged in any manner. **R**eturn heater to authorized service facility for examination, electrical or mechanical adjustment, or repair.
14. **T**his heater is not intended for use in bathrooms, laundry areas and similar indoor locations. **N**EVER locate heater where it may fall into a bathtub or other water container. **T**o protect against electrical hazards, **DO NOT** immerse in water or other liquids.
15. **DO NOT** touch the control panel or plug with a wet hand.
16. **DO NOT** run cord under carpeting. **DO NOT** cover cord with throw rugs, runners, or similar coverings. **A**rrange cord away from traffic area and where it will not be tripped over.
17. **DO NOT** insert or allow foreign objects to enter any ventilation or exhaust opening as this may cause an electric shock or fire, or damage the heater.
18. **T**o prevent a possible fire, **DO NOT** block the air intakes or exhaust in

any manner. **DO NOT** use on soft surfaces, like a bed, where openings may become blocked.

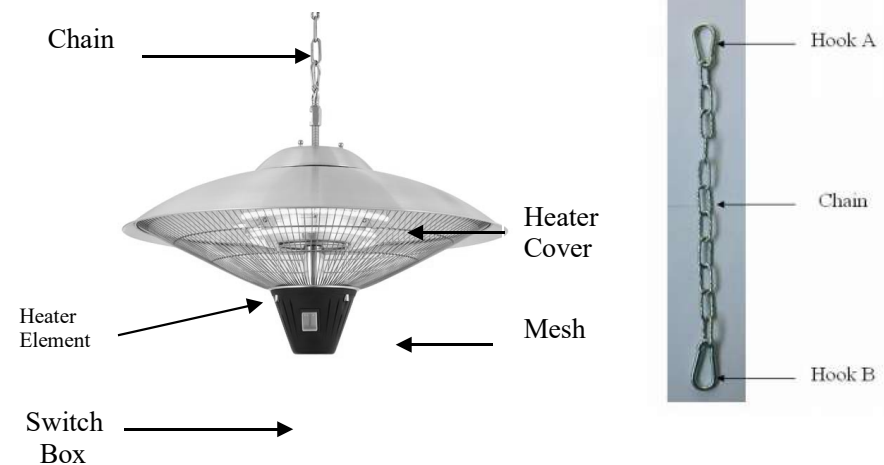
19. **A** heater has hot and arcing or sparking parts inside. **DO NOT** use in areas where gasoline, paint, explosive and/or flammable liquids are used or stored. **K**eeP unit away from heated surfaces and open flames.
20. **A**void the use of an extension cord because the extension cord may overheat and cause a risk of fire. However, if you have to use an extension cord, the cord shall be 2.5mm² minimum size.
21. **T**o avoid fire or shock hazard, plug the unit directly into a 220-240 Vac and 15A electrical socket outlet.
22. **T**o disconnect heater, turn controls to OFF, then remove plug from outlet. Pull firmly on plug, **DO NOT** unplug by pulling on the cord.
23. **A**lways unplug the unit before moving or cleaning, or whenever the heater is not in use.
24. **U**se only for intended household use as described in this manual.

Any other use not recommended by the manufacturer may cause fire, electric shock, or injury to persons. **T**he use of attachments not recommended or sold by unauthorized dealers may cause hazards.

25. **A**lways use on a dry, level surface. Use on ceiling only.
26. **W**ARNING: To reduce the risk of fire or electric shock, **DO NOT** use this unit with any solid-state speed control device.
27. **DO NOT** attempt to repair or adjust any electrical or mechanical functions on this unit. **D**oing so will void your warranty. **T**he inside of the unit contains no user serviceable parts. **Q**ualified personnel should perform all servicing only.
28. **C**onnect to properly grounded outlets only.
29. **H**eater is not located immediately below a socket-outlet.
30. **W**ARNING: **T**his heater is not equipped with a device to control the room temperature. **D**o not use this heater in small rooms when they are occupied by persons not capable of leaving the room on their own, unless constant supervision is provided.
31. **T**he heater must not be located in front of a socket outlet.
32. **SAVE THESE INSTRUCTIONS.**

Power Consumption	1800W
Unit Size	50cm(W)×50cm(D)×27cm(H)
Unit Weight	2.05kg

PRODUCT DIAGRAM



SPECIFICATIONS

Voltage Rating	220-240V (50Hz)
----------------	-----------------

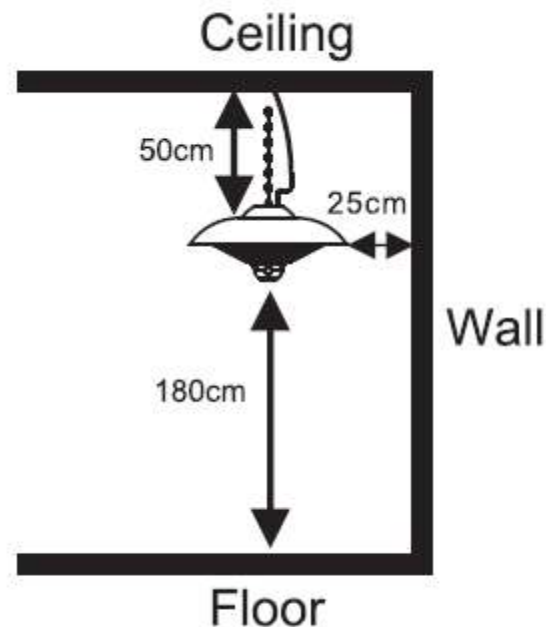
INSTALLATION INSTRUCTIONS

- A. Heater must be installed by a qualified electrician.

- B. Place the heater on a firm, level ceiling surface; level ceiling surface; installation of the heater on a strong rigid support (such as strong wooden beams or metal rails etc).
- C. The Hook on the ceiling hanging the Patio Heater must be able to take a weight 3 or 4 times that of the Patio Heater itself.
- D. Place the Hook A around the Ceiling Hook and clip on any Ring of the Chain to adjust the height of the Patio Heater to the Floor.
- E. The distance between the bottom of the Patio Heater to the Floor must be over 1.8M.
- F. Plug the Patio Heater into a grounded 220-240V 50Hz 15A power outlet.
- G. Only operate the heater when it is in the upright position.

Minimum Required Distances:

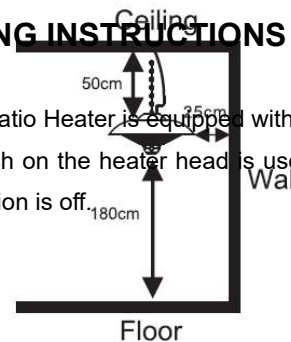
- 25cm from the side wall
- 50cm from the ceiling
- Installation height above 180cm



OPERATING INSTRUCTIONS

Our Electric Patio Heater is equipped with One heat settings

- The switch on the heater head is used to control the heat setting. (I) for 1800w , the 0 position is off.



MAINTENANCE

Unplug the unit and let it cool completely.

- ⌋ To keep the heater clean, the outer shell may be cleaned with a soft, damp cloth. You may use a mild detergent if necessary. After cleaning, dry the unit with a soft cloth.
- ⌋ DO NOT use alcohol, gasoline, abrasive powders, furniture polish, or rough brushes to clean the heater. This may cause damage or deterioration to the surface of the heater.
- ⌋ Although this heater is outdoor approved, DO NOT immerse the heater in water for your safety.

Wait until the unit is completely dry before use.

STORAGE

If the heater will not be used for a long period of time, store it in a cool, dry location when not in use. To prevent dust and dirt build-up, use the original packaging to repack the unit.

TROUBLE SHOOTING

If the heater will not operate, please check the following before seeking repair of service:

- ⌋ Check if the power cord is plugged into an electrical outlet, if not plug in.
- ⌋ Check if electricity to the main fuse is working.
- ⌋ Make certain the power switches are turned on. If not, choose a setting.

WEEE



This product contains recyclable materials. Do not dispose this product as unsorted municipal waste. Please contact your local municipality for the nearest collection point.