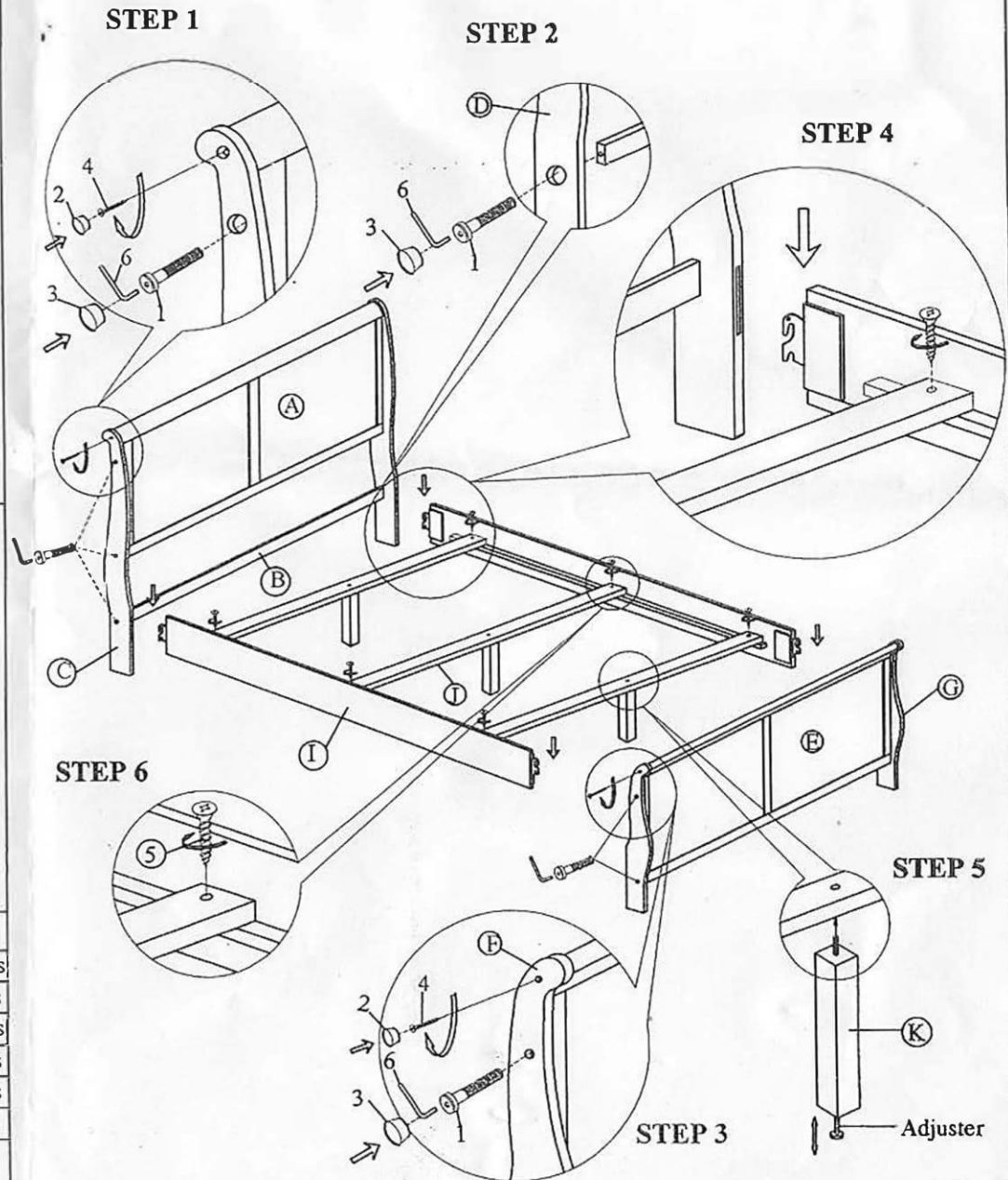
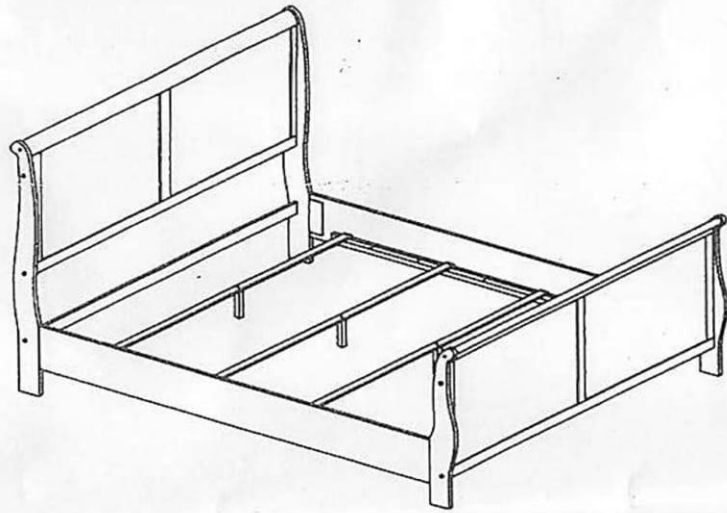
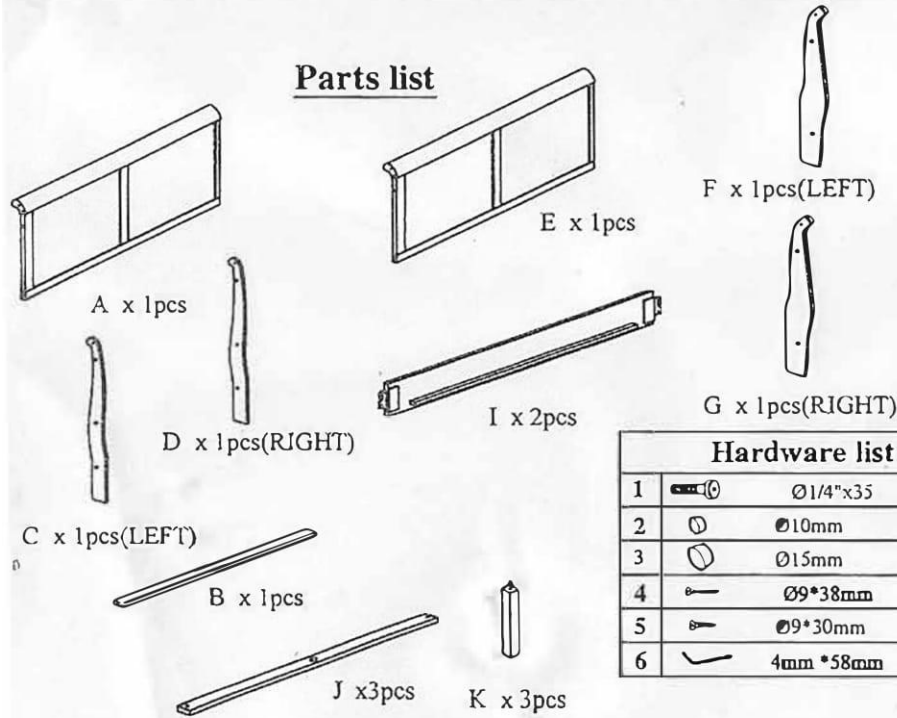


# ASSEMBLY INSTRUCTION

PAGE 1 OF 1



## Parts list



## Hardware list

1		Ø1/4"x35	10pcs
2		Ø10mm	4pcs
3		Ø15mm	10pcs
4		Ø9*38mm	4pcs
5		Ø9*30mm	6pcs
6		4mm *58mm	1pcs

STEP 5

Adjuster