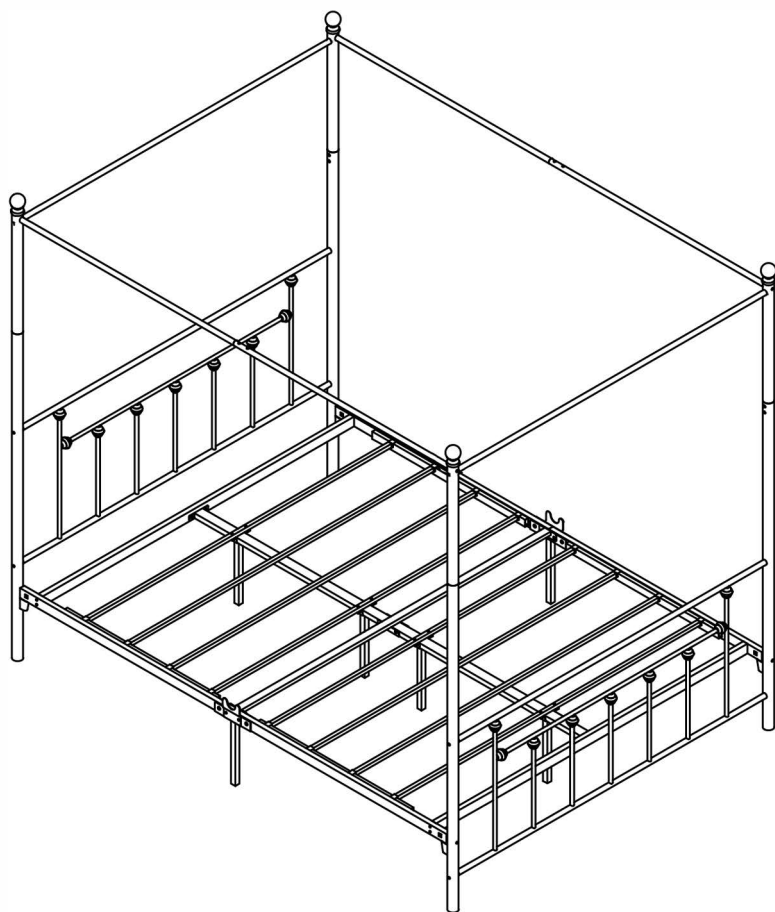


# ASSEMBLY INSTRUCTION



## WARRANTY:

We stand behind our products & service with confidence! If parts damaged or missing please feel free to contact us for a FREE REPLACEMENT.

We warranty this product to be free from defects in materials. This warranty covers one year from the date of original purchase.

## NOTES:






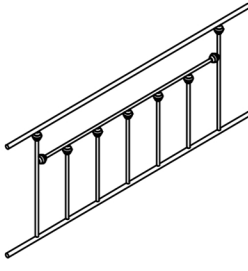
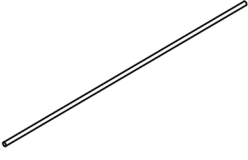
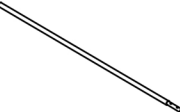
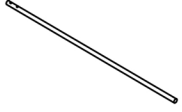
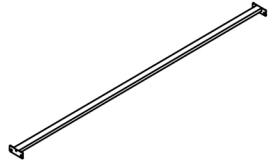
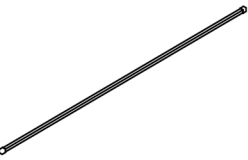


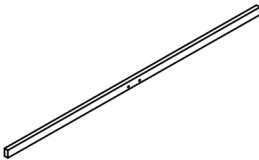
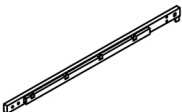
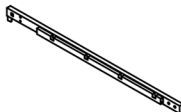
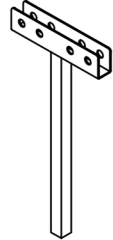
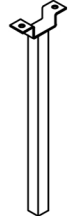
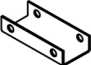










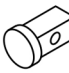




- The item is only intended to be used indoors. The product must be assembled and used in accordance with the provisions of the manual.
- It is recommended that assembly is undertaken by about 2 adults. Please read assembly instructions before assembly and strictly adhere to each step outlined. Estimated assembly time is 30 minutes.

## WARNING:

- **WARNING FOR YOUNG CHILDREN** - This product contains small components, please ensure that they are kept away from small children while assembling.

# 1

# PARTS LIST

															
1PCS	1PCS	1PCS	1PCS	4PCS	2PCS	2PCS	2PCS	2PCS	1PCS	4PCS					
															
4PCS		2PCS		2PCS		2PCS		2PCS		2PCS	4PCS	1PCS	4PCS	2PCS	1/4*85 4PCS
															
1/4*55 2PCS	1/4*50 16PCS	1/4*40 16PCS	1/4*28 8PCS	1/4*19 4PCS	1/4*13 12PCS	4PCS	1/4 4PCS	4PCS	1/4 18PCS	1/4 2PCS	2PCS				

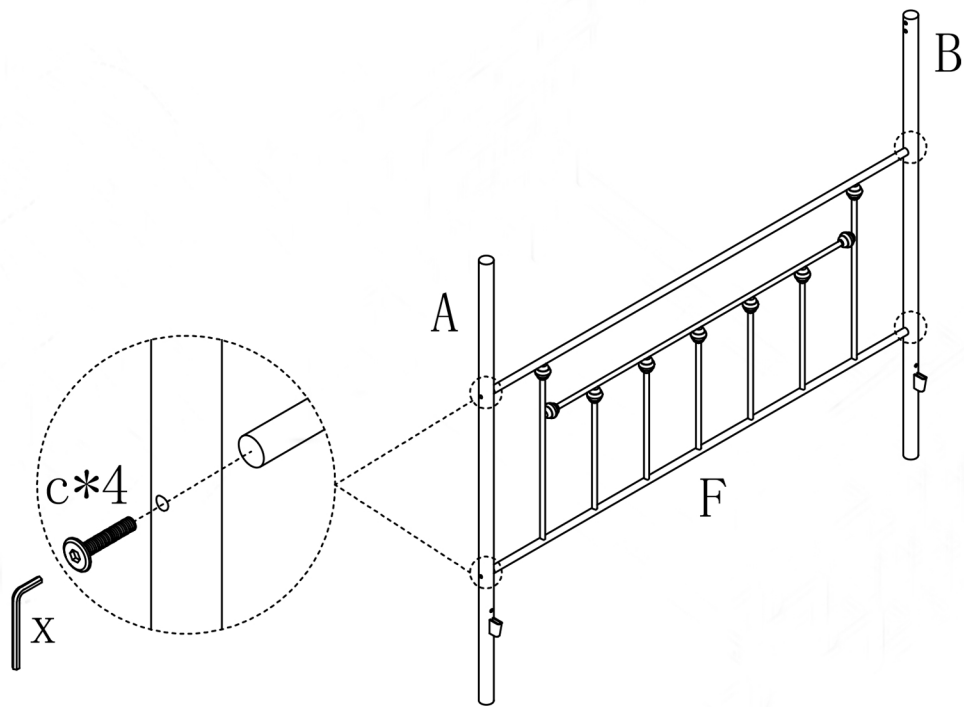
## IMPORTANT:

Please check parts list before you start to assembly. If parts damaged or missing. Contact your seller for a FREE REPLACEMENT. Please provide your order number, a brief message about the issue, and your shipping address. Thank you!

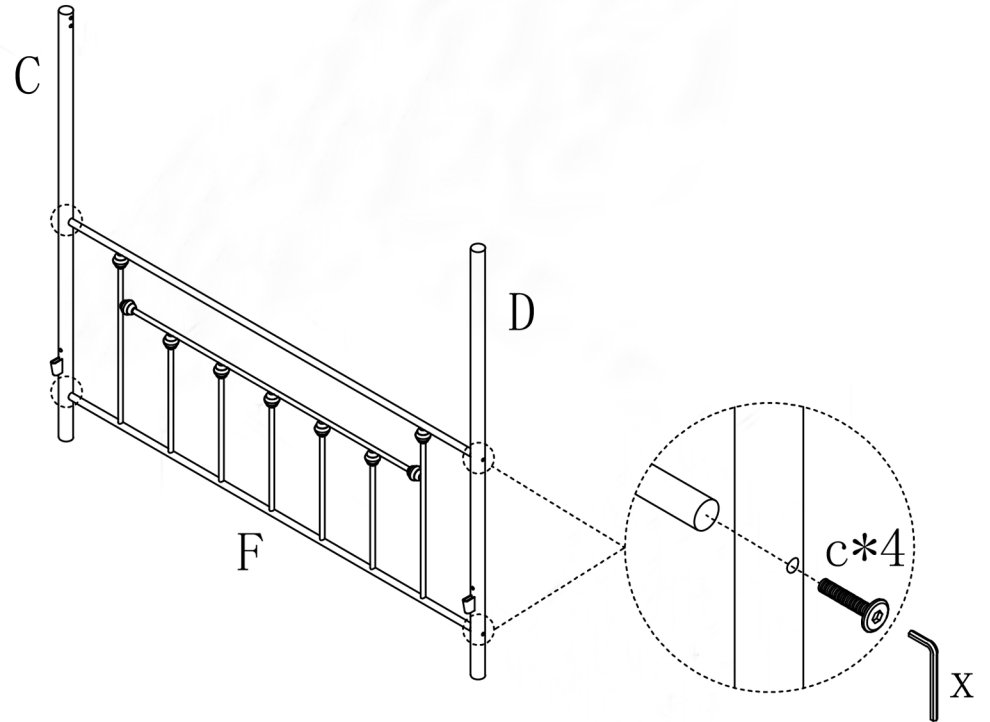
2

NOTE: PLEASE DO NOT TIGHTEN THE BOLTS UNTIL ALL FIXED

1



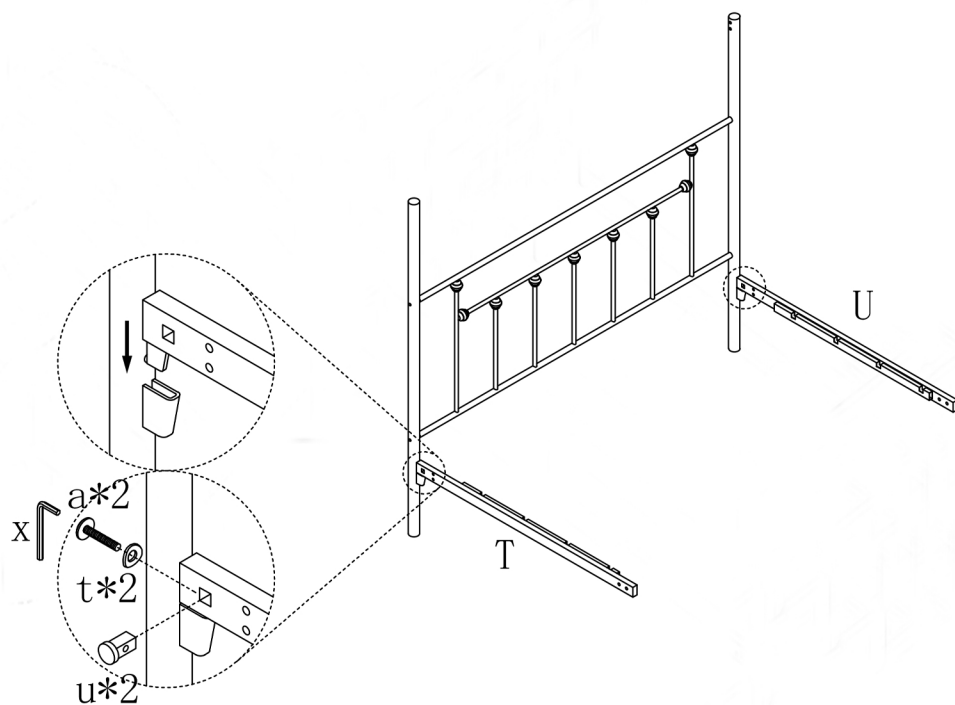
2



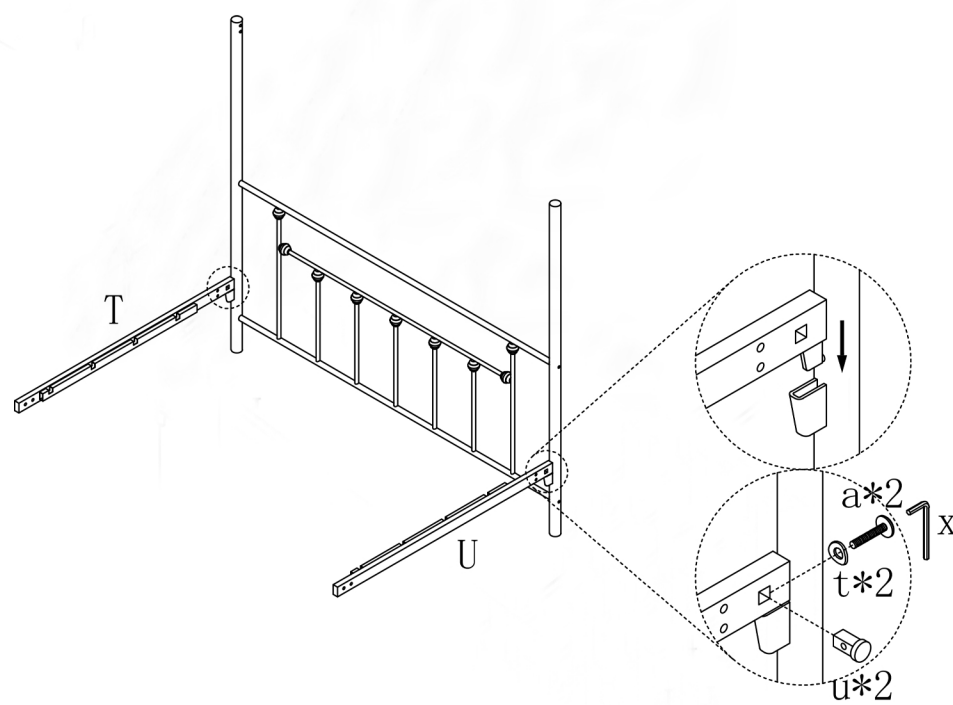
# 3

NOTE: PLEASE DO NOT TIGHTEN THE BOLTS UNTIL ALL FIXED

## 3

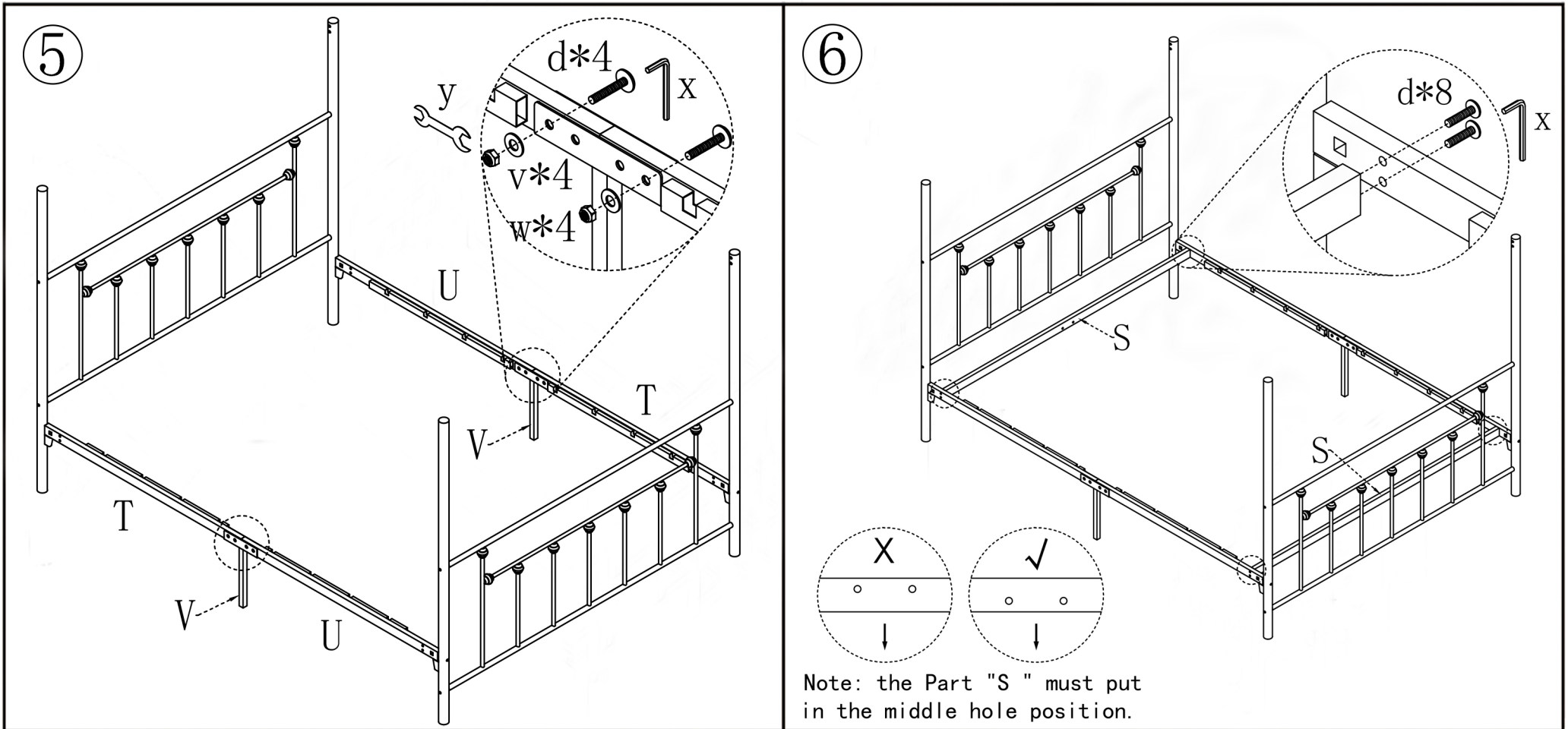


## 4



# 4

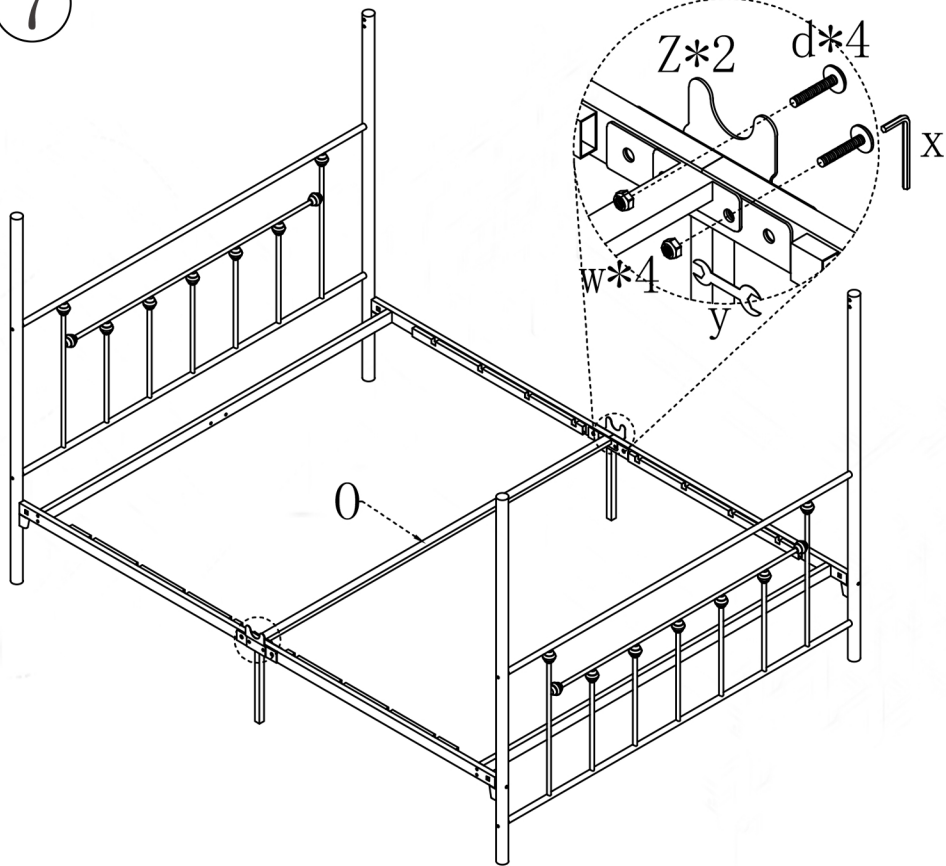
NOTE: PLEASE DO NOT TIGHTEN THE BOLTS UNTIL ALL FIXED



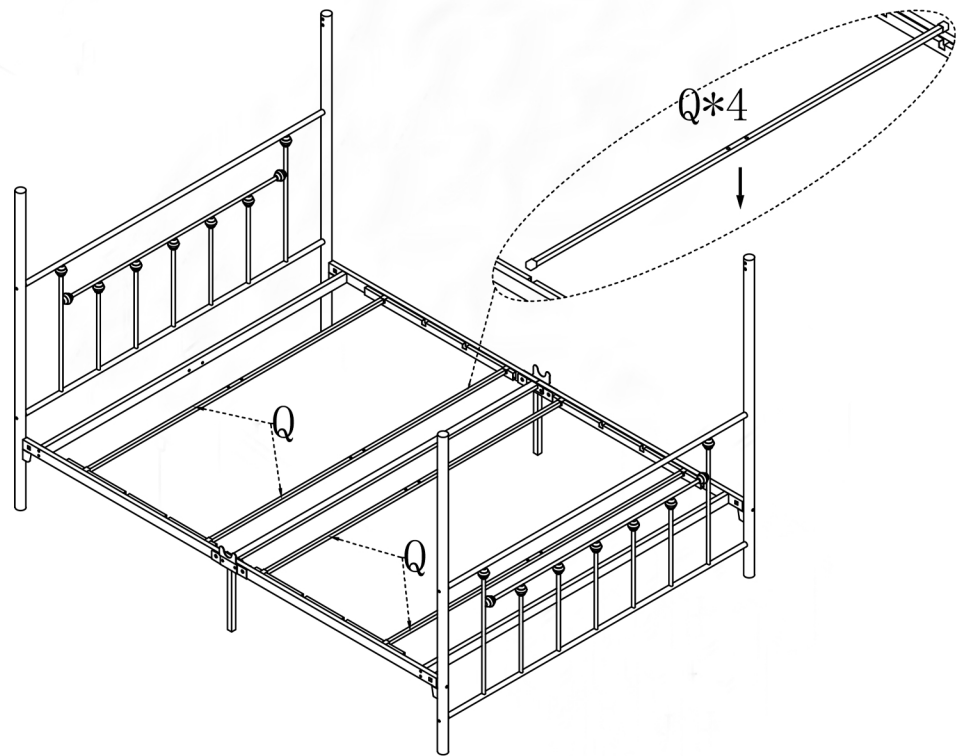
5

NOTE: PLEASE DO NOT TIGHTEN THE BOLTS UNTIL ALL FIXED

7



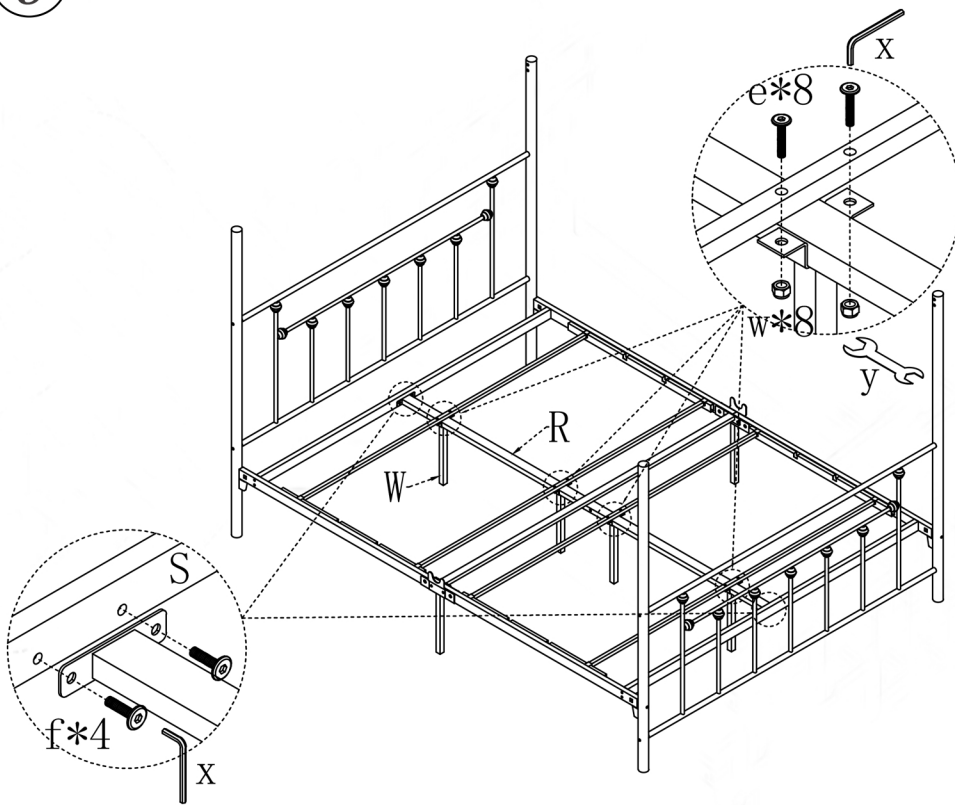
8



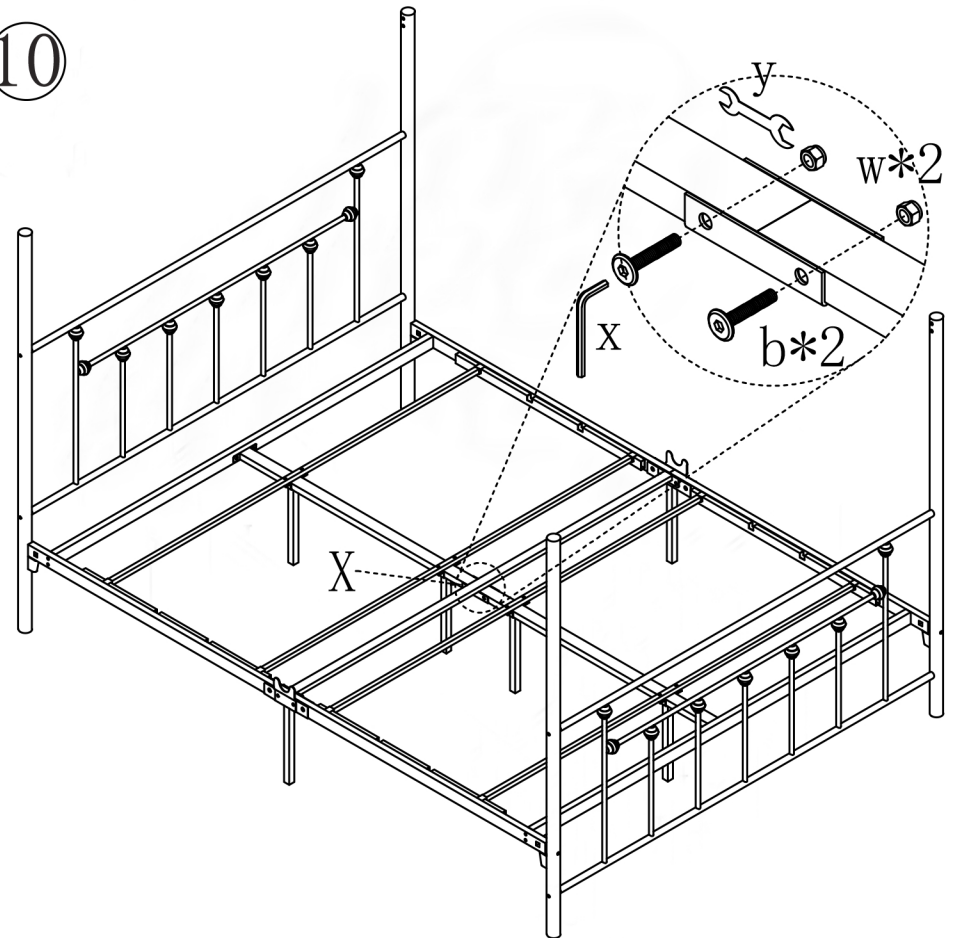
6

NOTE: PLEASE DO NOT TIGHTEN THE BOLTS UNTIL ALL FIXED

9



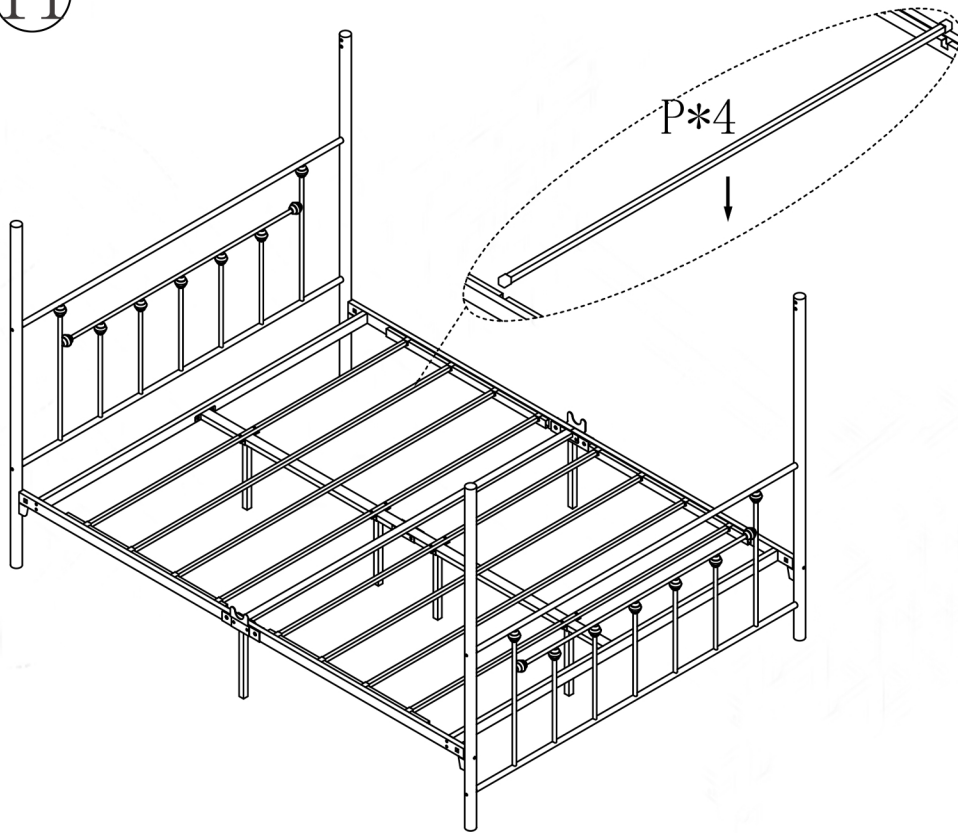
10



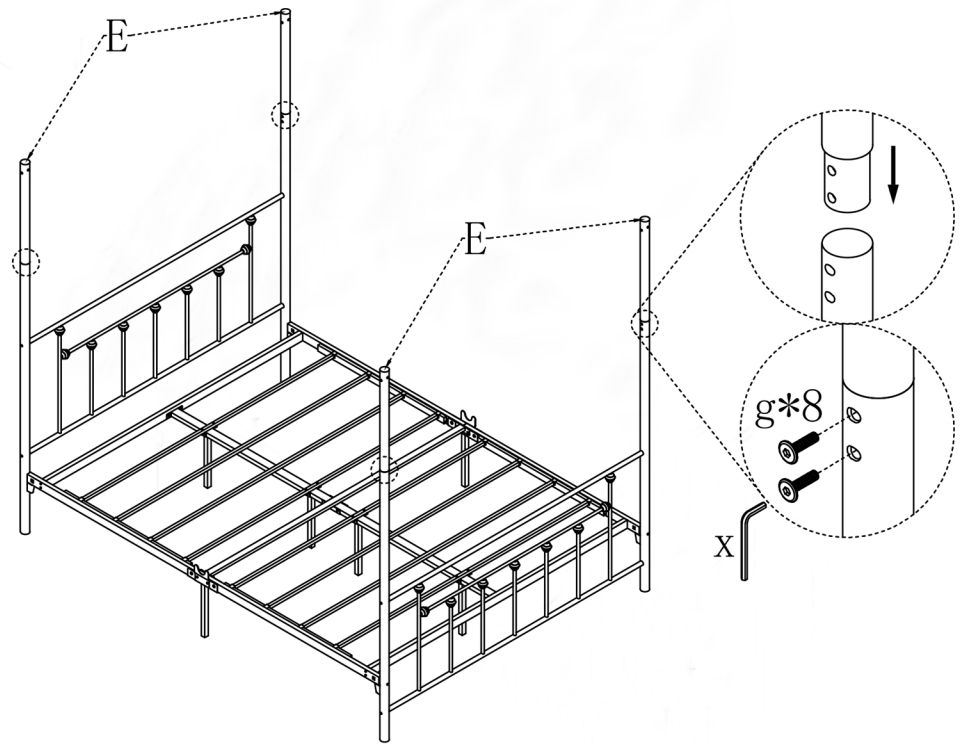
7

NOTE: PLEASE DO NOT TIGHTEN THE BOLTS UNTIL ALL FIXED

11



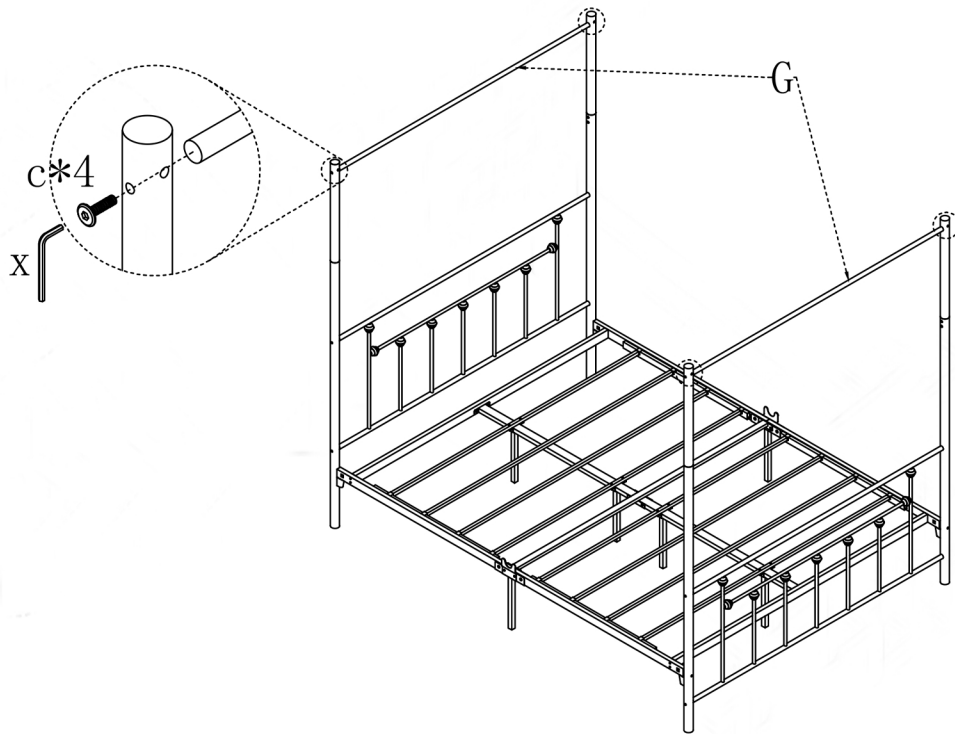
12



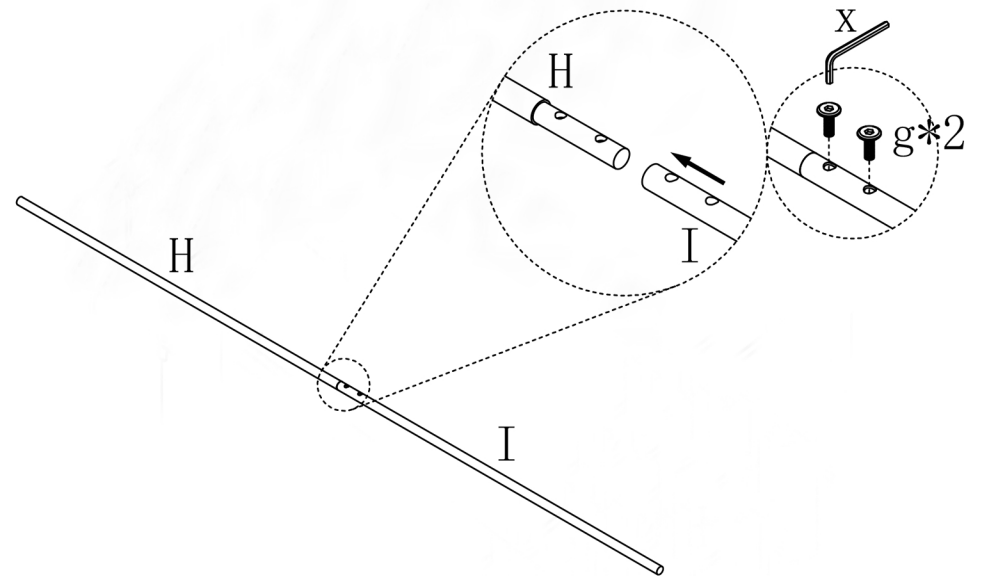
8

NOTE: PLEASE DO NOT TIGHTEN THE BOLTS UNTIL ALL FIXED

13



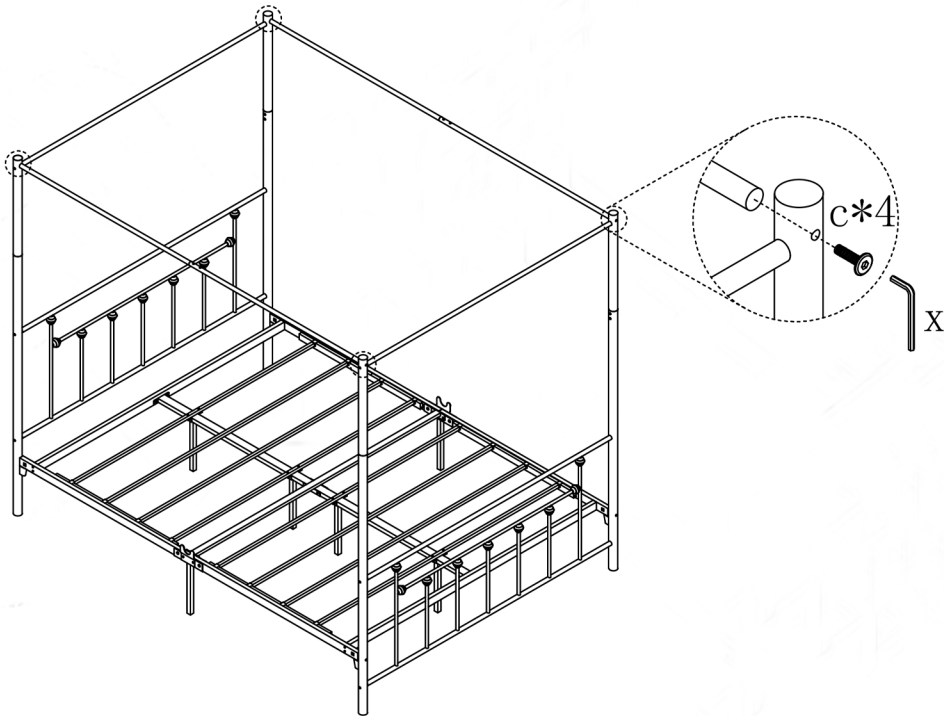
14



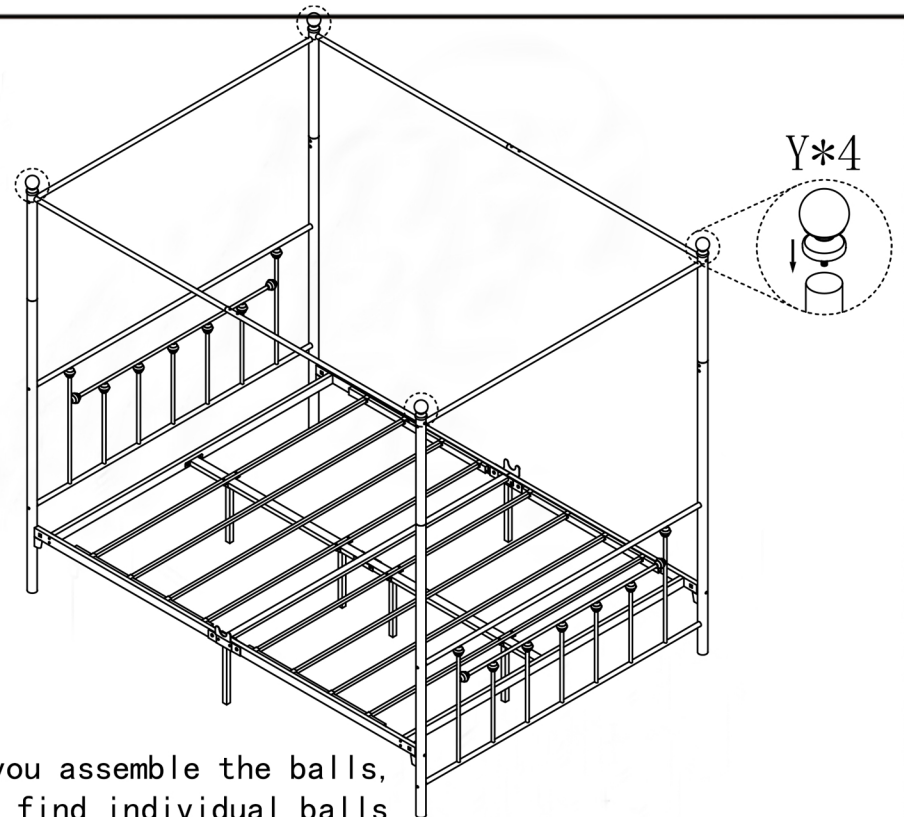
9

NOTE: PLEASE DO NOT TIGHTEN THE BOLTS UNTIL ALL FIXED

15



16



When you assemble the balls, if you find individual balls tilting, you can rely on the strength of our arms for a slight correction.

**IMPORTANT: Please completely tighten all the bolts and nuts.**