

# Instruction Sheet

## Checklist of Included Items for Assembly:

- 1.) Frame: Seat Tray (1)
- 2.) Seat Base
- 3.) Slipcover (sold separately)
- 4.) Frame Clips (2)

### Step 1

The Collection is designed so you can place multiple units together to create a sectional to perfectly fit your space. Place 2 frames next to each other and place one clip in each corner to secure the two frames together. The clip will be held in place by the clip tab. See Illustration A.

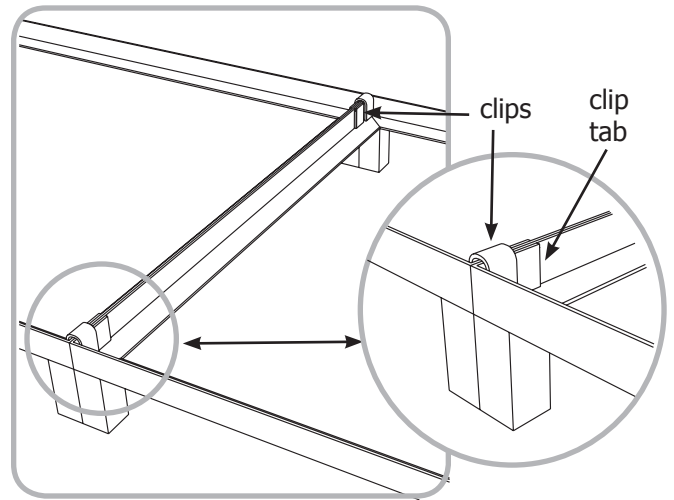


Illustration A

### Step 2

Unfold the slipcover. Lay it open side up on a clean surface. Take the Base and flip it over so the bottom is on top and place it in the slipcover. Line up the corners and pull the slipcover up on all four sides. Once it is in place, take the excess fabric of the cover and fold it over the lip of the Base and attach it. See Illustration B.



Illustration B

### Step 3

Once the cover is secure, flip the Base over and place it in the frame making sure it fits snugly in the Seat Tray on all four sides.

