

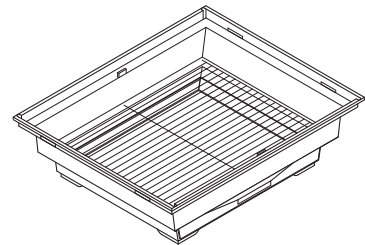
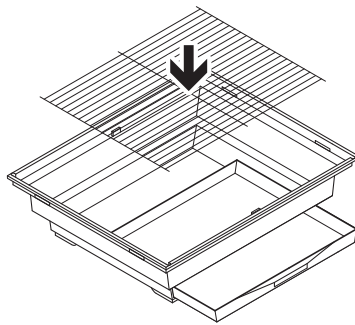
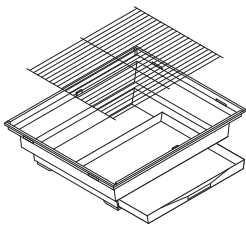
## read first REVIEW BEFORE ASSEMBLY

- No tools are required for assembly
  - For best results, follow the Steps in the order they are presented
- For assistance or replacement parts, please contact us.

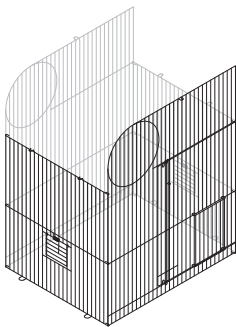
### CLEANING INSTRUCTIONS

- When cleaning the cage and components, use a soft cloth or Teflon-resistant scrubber, such as our **Cage Saver** non-abrasive scrub pad (#109).
- Wash the cage and all components with warm water and a mild, environmentally-friendly, pet-safe soap. Rinse all parts thoroughly.
- Hand dry parts completely with a soft dry cotton cloth before reassembling the cage. **Do not leave plastic components to dry in the sun**, as they may warp.

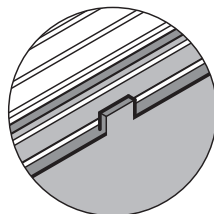
- 1** To assemble the **BASE**, you will need these pieces:



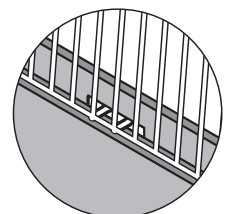
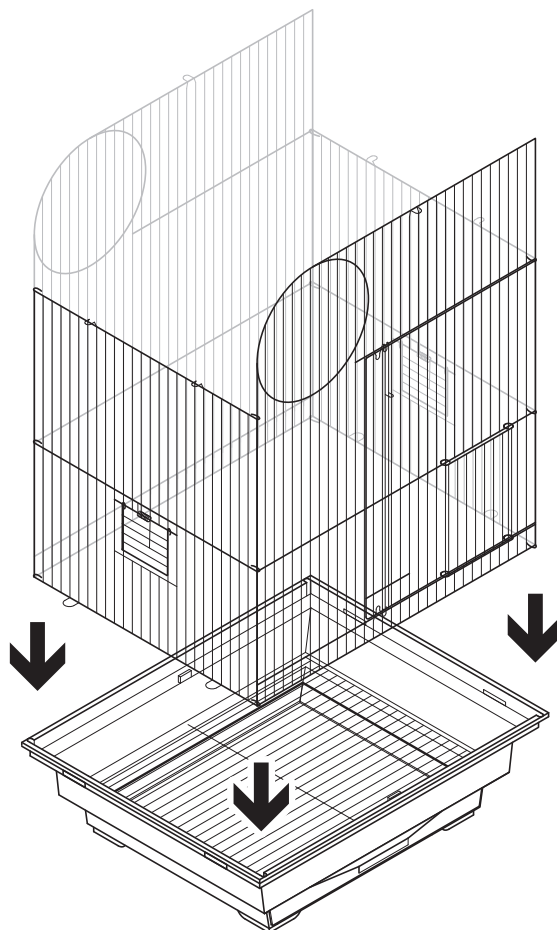
- 2** To attach the **MESH BODY** to the base, you will need this piece:



Open the cage mesh to make a rectangle with 90° corners. Insert the mesh into the base, following the details below:

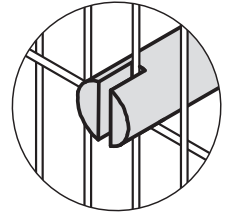
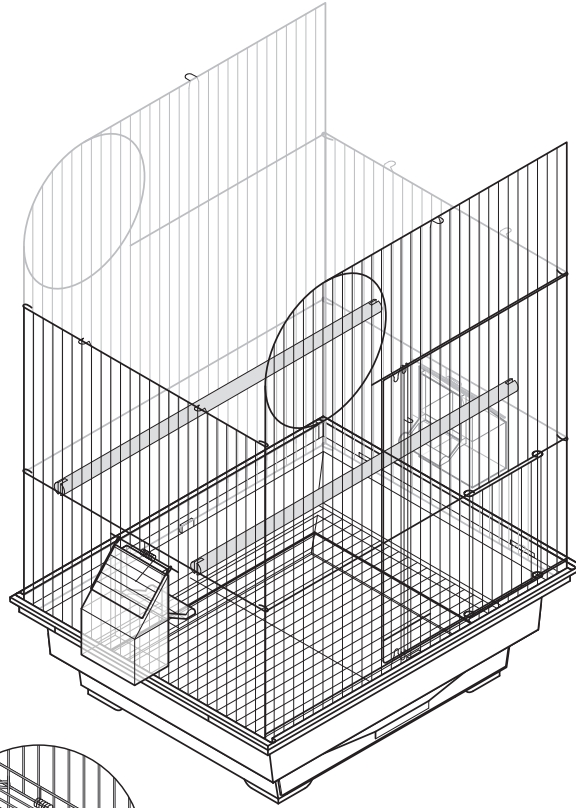
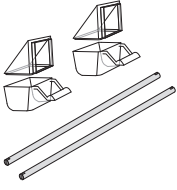


**Front and back:**  
Position the bottom wire between the rim and the raised tabs in the base.

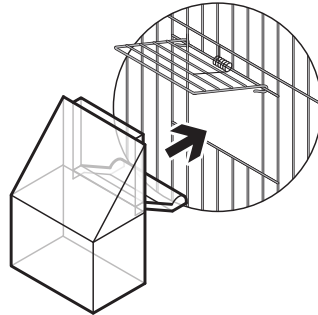


**Sides:**  
Insert the wire loops (two per side) into the slots along the base rim.

### 3 To install the **COMPONENTS**, you will need these pieces:

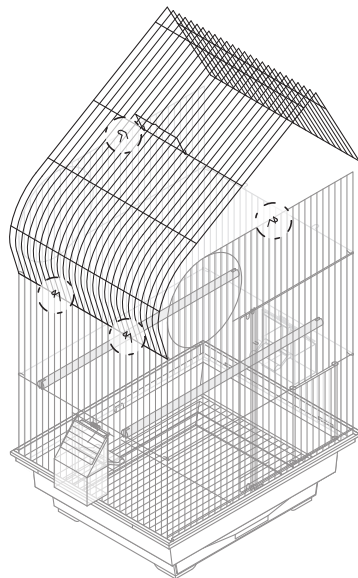
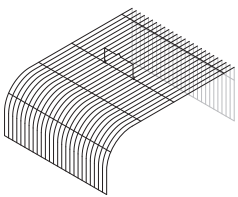


**Perches:**  
Insert the perch on a vertical wire, stretching from side to side. Rest the perch on a horizontal wire for maximum stability.  
When installing perches, stagger their placement to allow birds room to sit, walk, and move about.



**Food/water cups:**  
Assemble the two-piece cup. Hold the snap-hinge door open with one hand and insert the cup with the perch step facing the cage interior. Gently let the door close over the cup.

### 4 To install the **ROOF**, you will need this piece:



Starting with the rounded corner end, hook the outer wire of the roof under the wire loops along the side panel.

At the center point of the roof line, hook the outer wire of the roof over the wire loops along the front/back panels.

On the remaining side, pull the roof down taut and catch the bottom of the roof under the wire loops along the side panel.

