



Forum™
60" x 36" above-floor-drain Vikrell® alcove bath, right
drain
71621122



Features

- Deep rectangular bath with modern aesthetic
- Durable high-gloss finish provides a smooth, shiny surface that is easy to clean
- Integral lumbar support
- Integral flat apron with minimalist design
- Integral flange provides superior water containment and simplifies alcove installation
- Textured bottom surface

Material

- Made from solid Vikrell® material for strength, durability, and lasting beauty

Installation

- Alcove
- Right drain
- Above-floor-drain (AFD) rough-in



ADA

Codes/Standards

CSA B45.5/IAPMO Z124
ASTM E162
ASTM E662
ADA
ICC/ANSI A117.1

STERLING® Vikrell® or Acrylic Baths and Shower Bases Ten-Year Limited Warranty

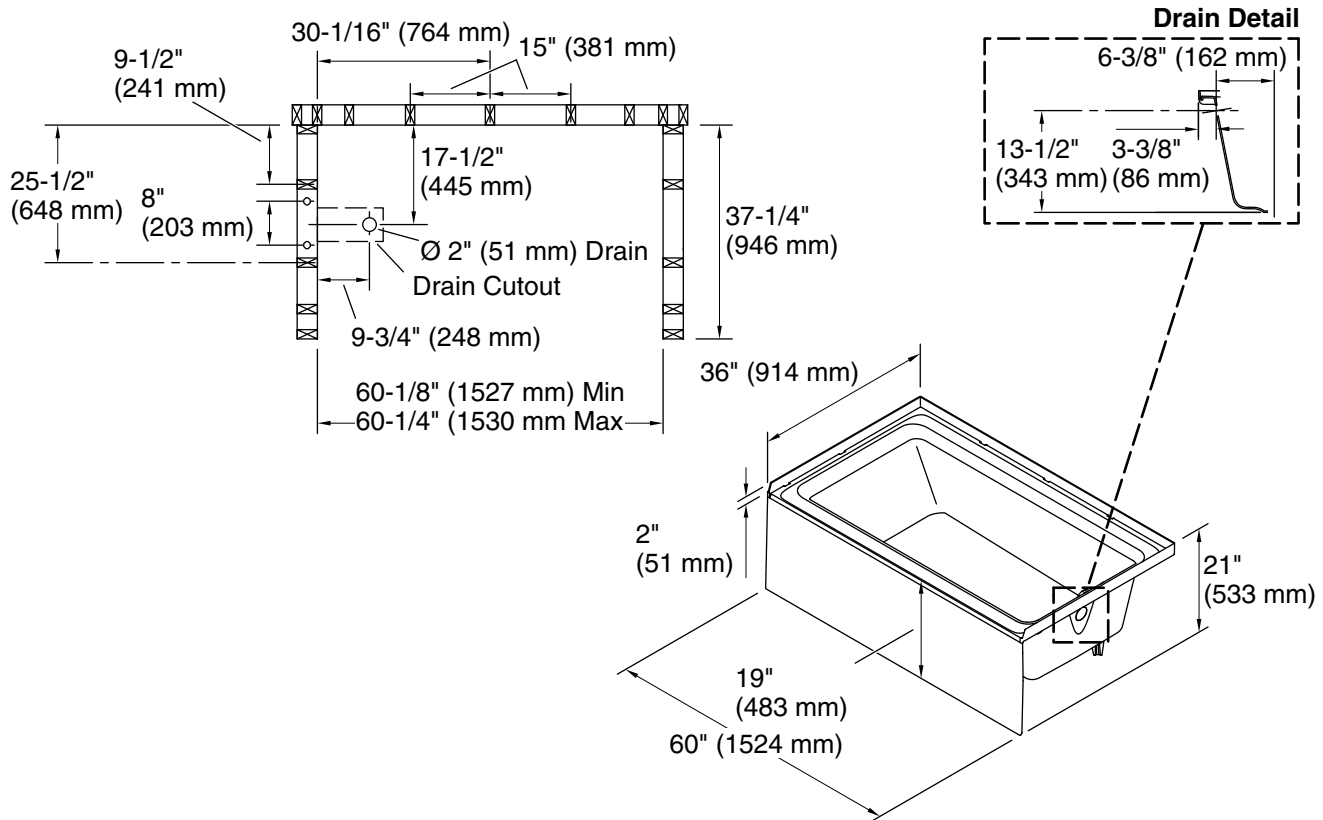
See website for detailed warranty information.

1-800-STERLING (1-800-783-7546)

Kohler Co. reserves the right to make revisions without notice to product specifications.

For the most current Specification Sheet, go to www.sterlingplumbing.com.

10-1-2024 23:05 - US/CA



Technical Information

All product dimensions are nominal.

- Drain location: Right
- Basin area, bottom: 44-13/16" x 22-5/16" (1138 mm x 567 mm)
- Weight: 64.12 lbs (29.1 kg)
- Water depth: 11-1/2" (292 mm)
- Water capacity: 53.3 gal (201.8 L)
- Minimum flat for door: 3" (76 mm)

Notes

- Install this product according to the installation instructions.
- ADA compliant when installed to the specific requirements of these regulations.