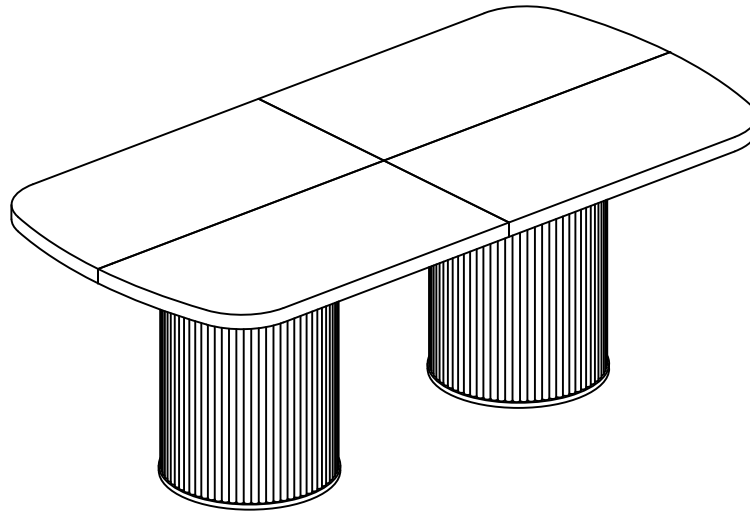




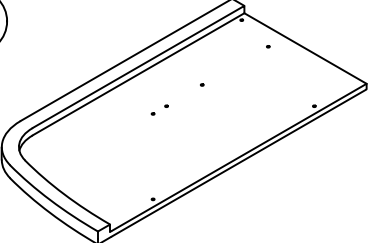
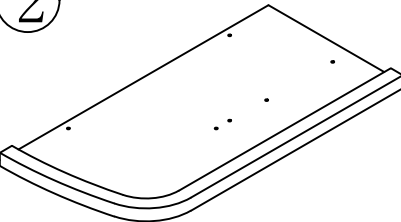
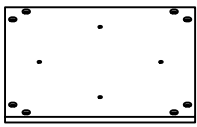


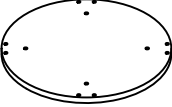
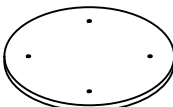
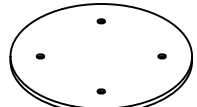
ASSEMBLY INSTRUCTION

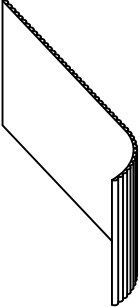

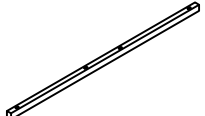


A  6*13 32pcs	B  8*40 8pcs	C  Ø25 12pcs	D  8*18 40pcs	E  M5 1pcs	F  4pcs	G  8*25 24pcs
--	---	---	--	--	--	--

H  8*16 12pcs	I  8*30 8pcs	J  83*83 1pcs
--	---	--

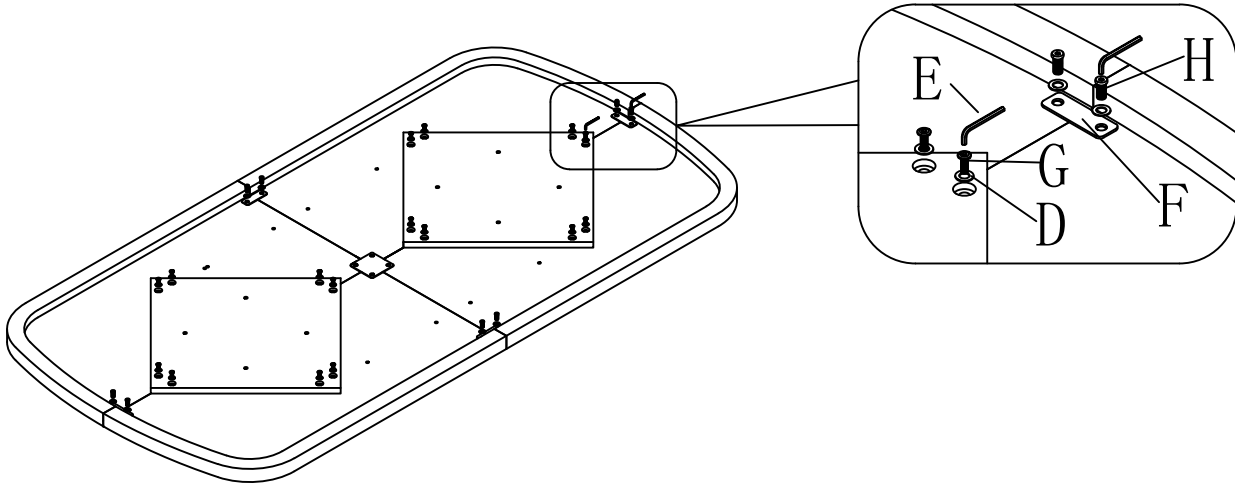
①  2pcs	②  2pcs	③  2pcs
--	---	--

④  2pcs	⑤  2pcs	⑥  2pcs
--	--	--

⑦  2pcs	⑧  8pcs	⑨  2pcs
--	--	--

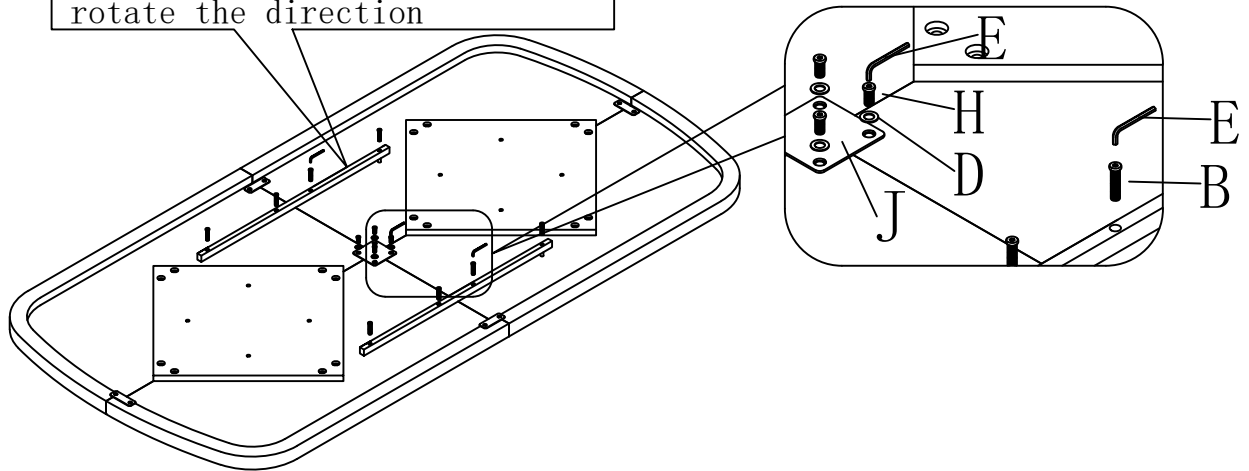
ASSEMBLY INSTRUCTION

STEP1

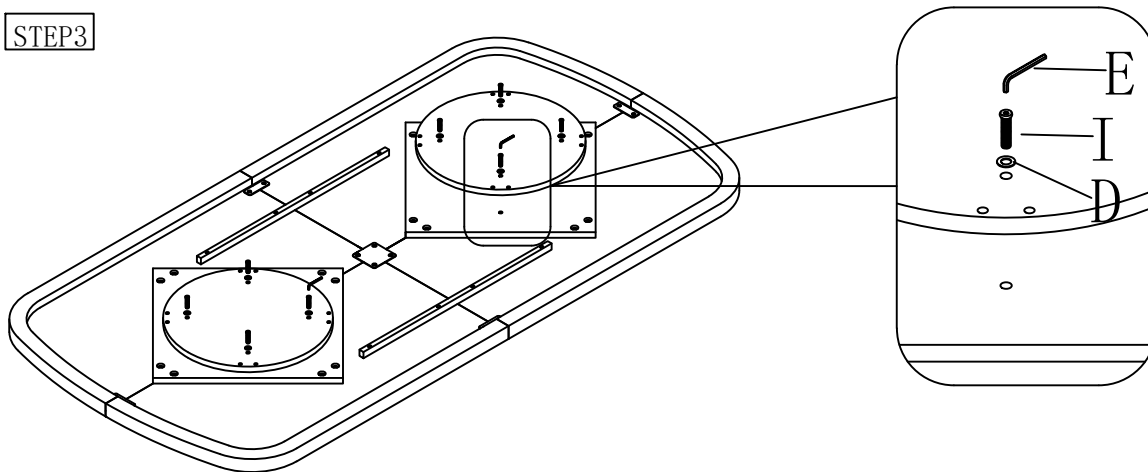


STEP2

Pay attention to the direction of the link bar, the distance between the two sides is different, the installation direction is wrong, please rotate the direction

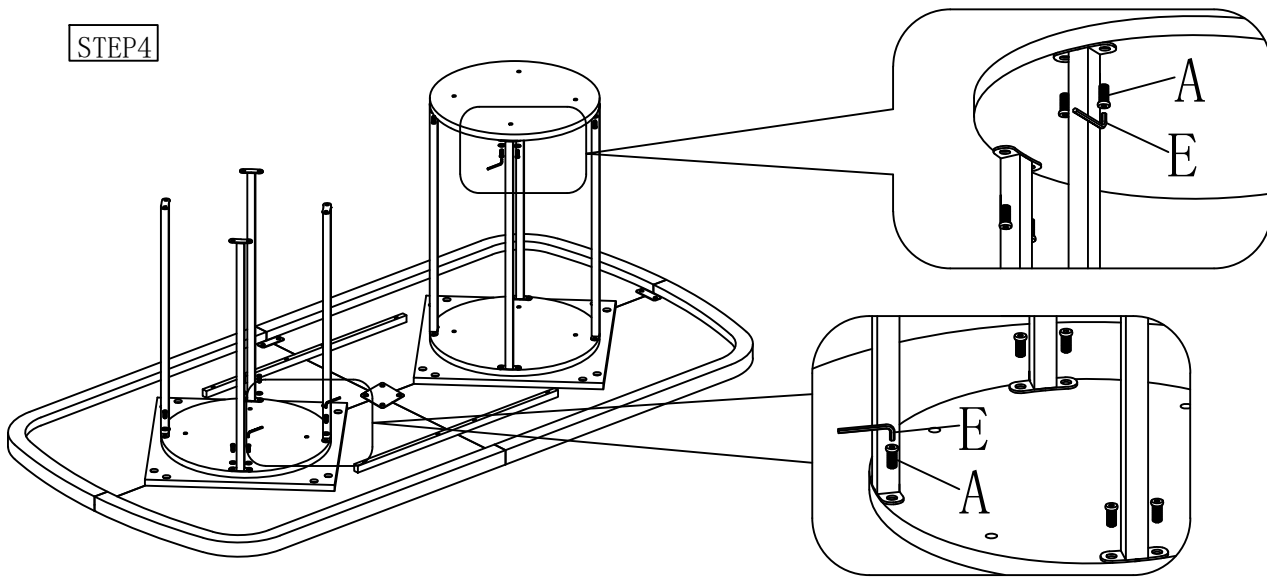


STEP3

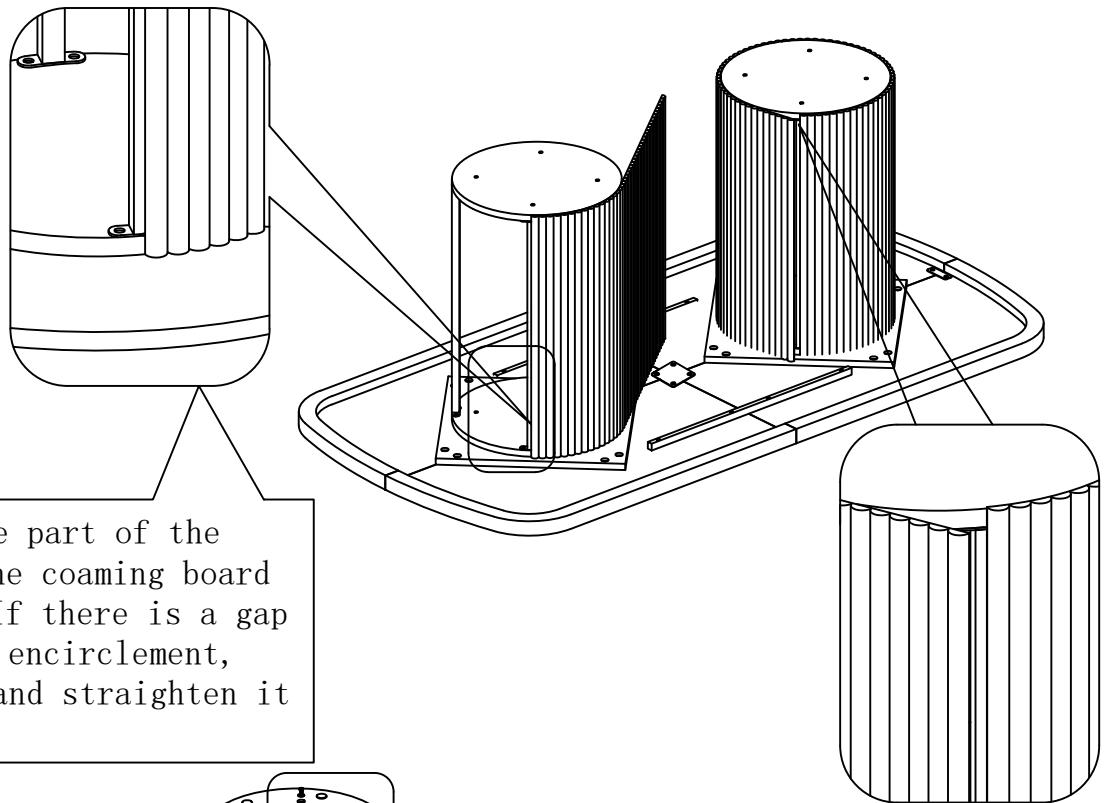


ASSEMBLY INSTRUCTION

STEP4

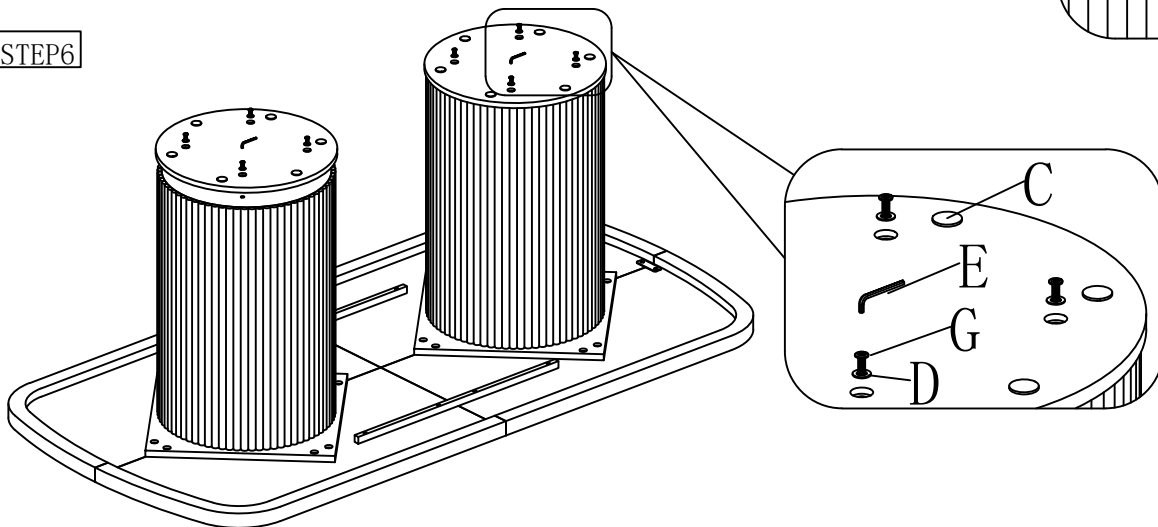


STEP5



Align the middle part of the link bar when the coaming board is surrounded. If there is a gap after the whole encirclement, please open it and straighten it and re-wrap it.

STEP6



Location of hardware package



1/4