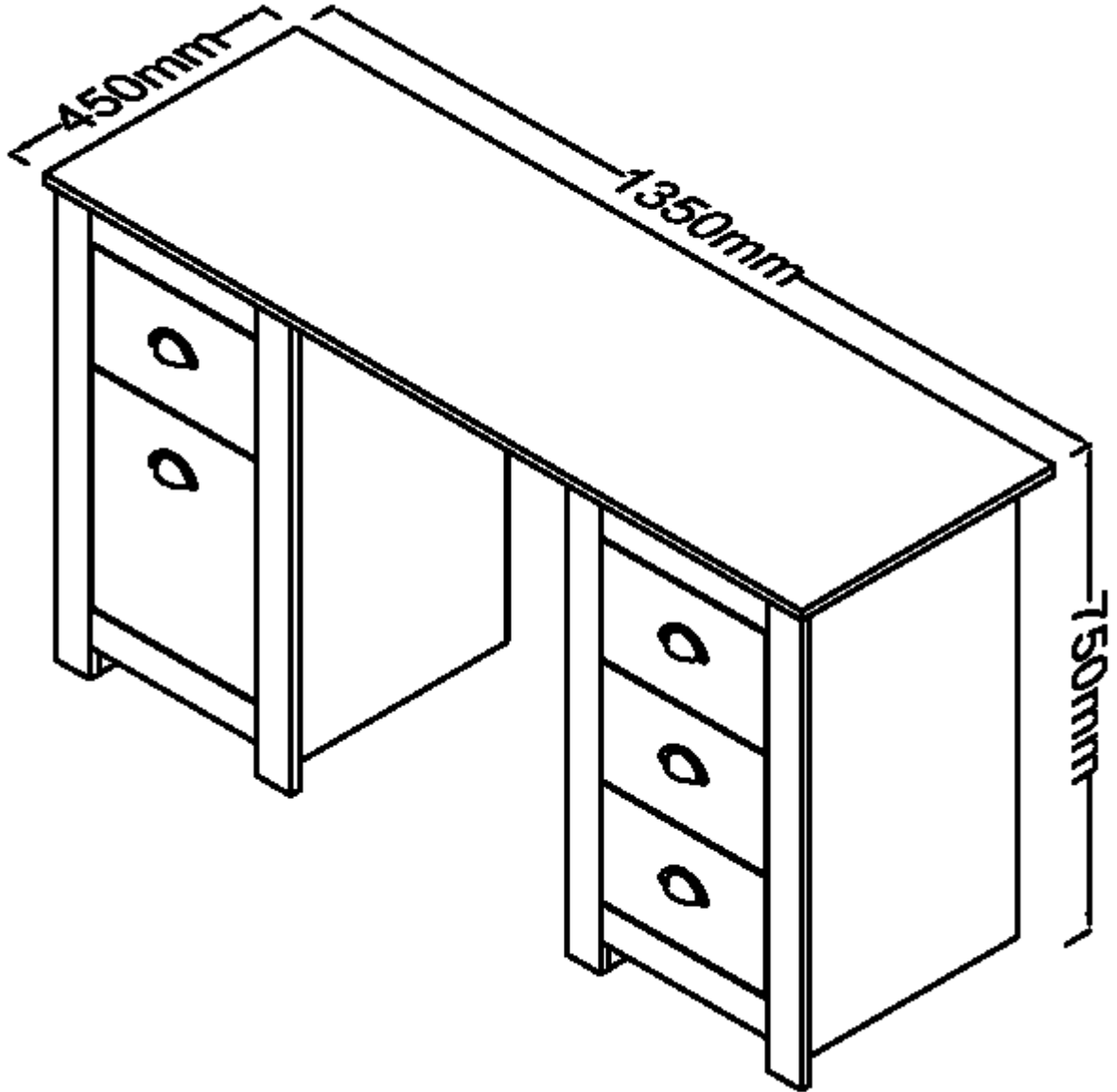


DESK

Assembly Instructions – Please keep for future reference



Dimensions	No. people	Assembly Time
Width: 135cm Depth: 45cm Height: 75cm		90 mins (approx.)

Important – Please read these instructions fully before starting assembly

⚠ Safety and Care Advice

Important – Please read these instructions fully before starting assembly

- Check you have all the components and tools listed on pages 4 and 5.
- Remove all fittings from the plastic bags and separate them into their groups.
- Keep children and animals away from the work area, small parts could choke if swallowed.
- Make sure you have enough space to lay out the parts before starting.
- Do not stand or put weight on the product, this could cause damage.
- Assemble the item as close to its final position (in the same room) as possible.
- Assemble on a soft, level surface to avoid damaging the unit or your floor.
- We do not recommend the use of power drill/drivers for inserting screws, as this could damage the unit. Only use hand screwdrivers.
- Dispose of all packaging carefully and responsibly.



use of power drill/drivers for inserting screws, as this could damage the unit.

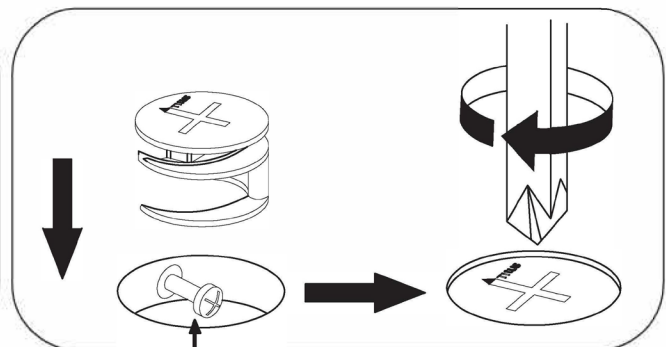
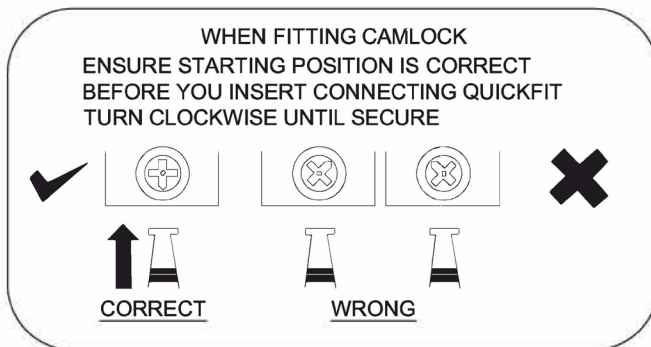
Only use hand screwdrivers.

- Dispose of all packaging carefully and responsibly.

Care and Maintenance

- Only clean using a damp cloth and mild detergent, do not use bleach or abrasive cleaners.
- From time to time check that there are no loose screws on this unit.
- This product should not be discarded with household waste. Take to your local authority waste disposal centre.

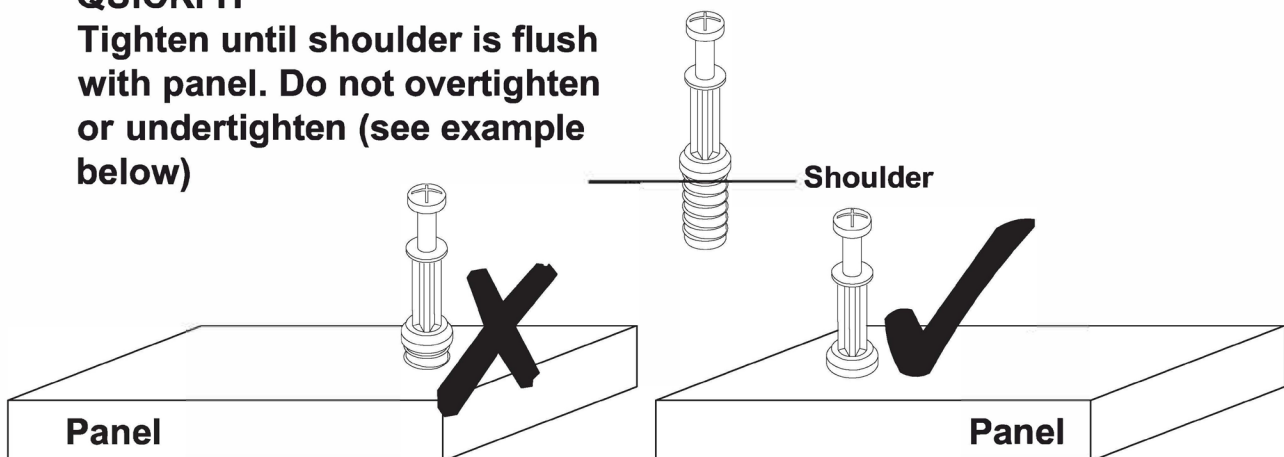
SPECIAL TIPS FOR FITTING CAM-LOCKS AND QUICKFIT



Quickfit head needs to be in centre

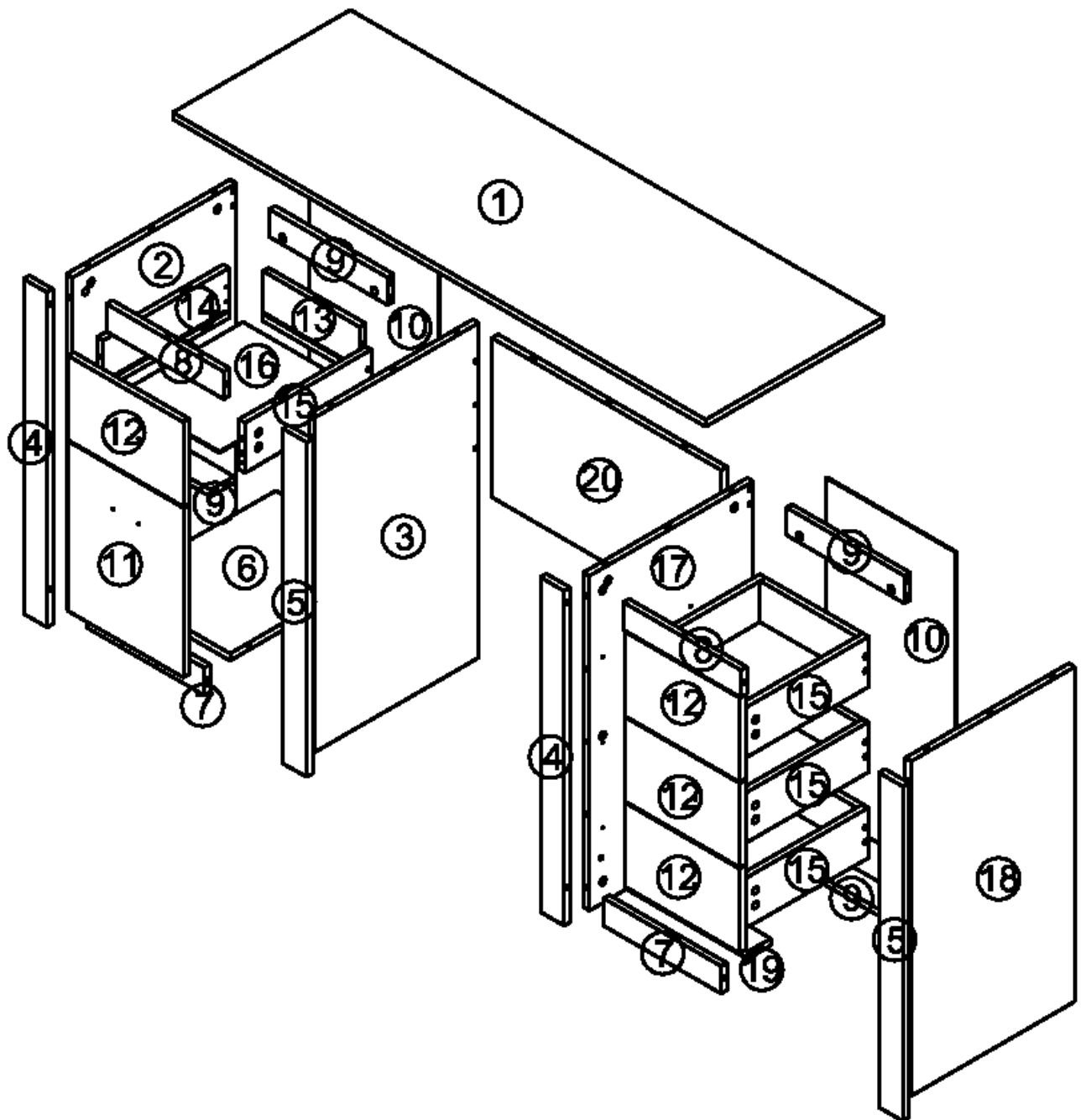
QUICKFIT

Tighten until shoulder is flush with panel. Do not overtighten or undertighten (see example below)



If you are unhappy with the product and wish to return it, please follow the retailer's returns procedure.

Exploded View



Components - Panels

Please check that you have all the components listed below before constructing your item.




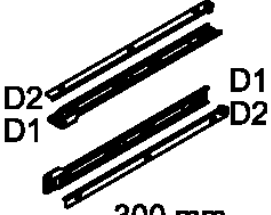


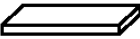
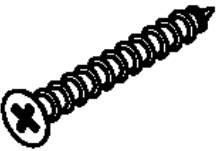

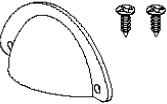
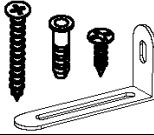
Part No	Description	Qty	Size (mm)	Thickness (mm)
1	TOP PANEL	1	1350X450	15
2	LEFT SIDE PANEL	1	735X415	15
3	MIDDLE LEFT PANEL	1	735X415	15
4	FRAME OF LEFT SIDE AND MIDDLE RIGHT PANEL	2	735X60	15
5	FRAME OF MIDDLE LEFT AND RIGHT SIDE PANEL	2	735X60	15
6	BOTTOM PANEL	1	415X300	15
7	FRONT BOTTOM CROSS BAR	2	298X60	15
8	FRONT TOP CROSS BAR	2	298X60	15
9	SUPPORT CROSS BAR	4	300X60	15
10	LEFT AND RIGHT SIDE BACK PANEL	2	735X328	2.5
11	DOOR PANEL	1	373X293	15
12	DRAWER FRONT PANEL	4	293X185	15
13	DRAWER BACK PANEL	4	245X110	15
14	DRAWER LEFT SIDE PANEL	4	320X110	15
15	DRAWER RIGHT SIDE PANEL	4	320X110	15
16	DRAWER BOTTOM PANEL	4	315X255	2.5
17	MIDDLE RIGHT PANEL	1	735X415	15
18	RIGHT SIDE PANEL	1	735X415	15
19	CROSS BAR	1	300X60	15
20	MIDDLE BACK PANEL	1	580X350	15

Important – Please read these instructions fully before starting assembly

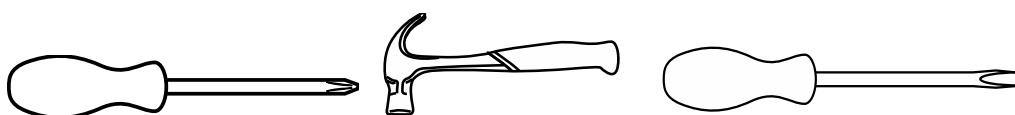
Components - Fixings

Please check that you have all the components listed below before constructing your item.

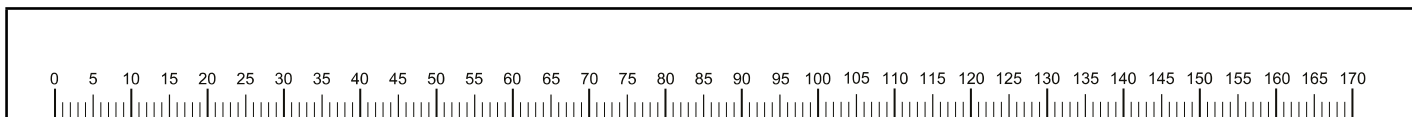
Note: The quantities below are the correct amount to complete the assembly. In some cases more fittings may be supplied than are required.

(A) X68	 40 mm	(B) X68	 15 mm	(C) X25	 8*40 mm	(D) X4	 300 mm
(E) X54	 3.5*14 mm	(F) X20	 	(G) X12	 	(H) X16	 3.5*35 mm
(I) X2	 	(J) X5	 	(K) X2	 		

Tools Required



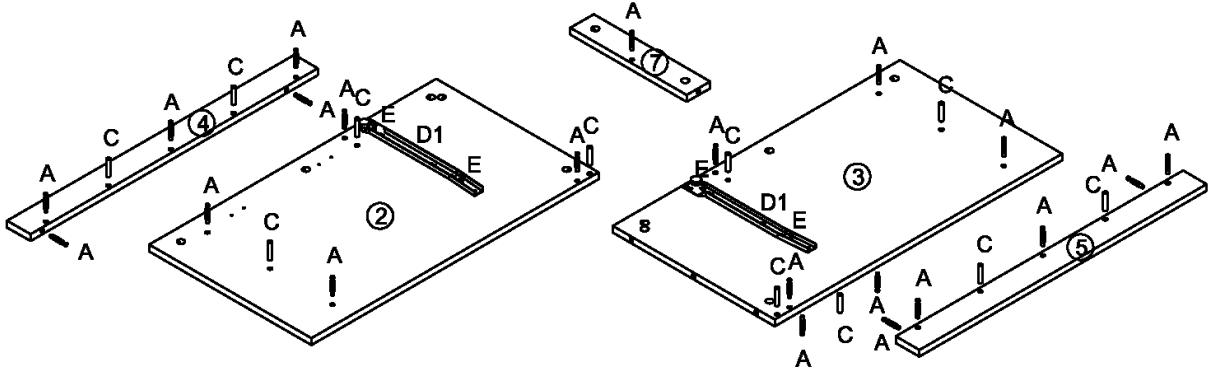
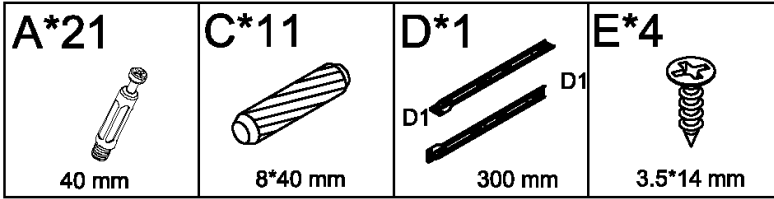
Ruler – Use this to measure your screws (mm)



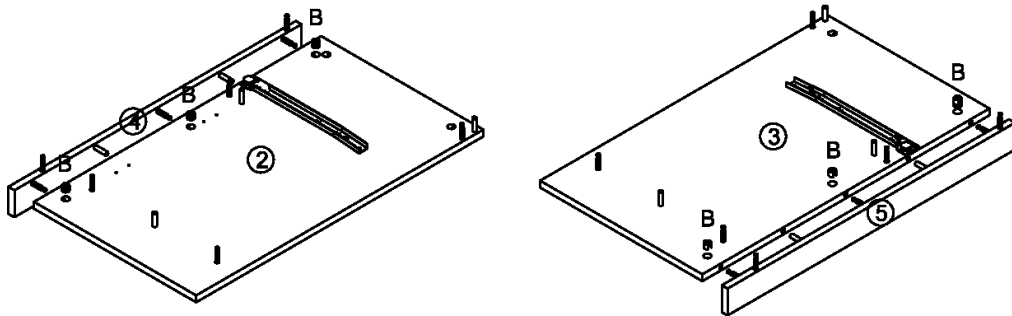
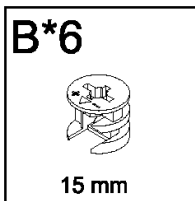
Important – Please read these instructions fully before starting assembly

Assembly Instructions

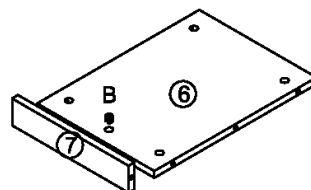
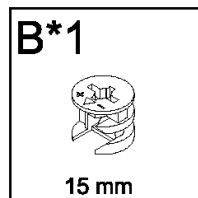
1



2



3

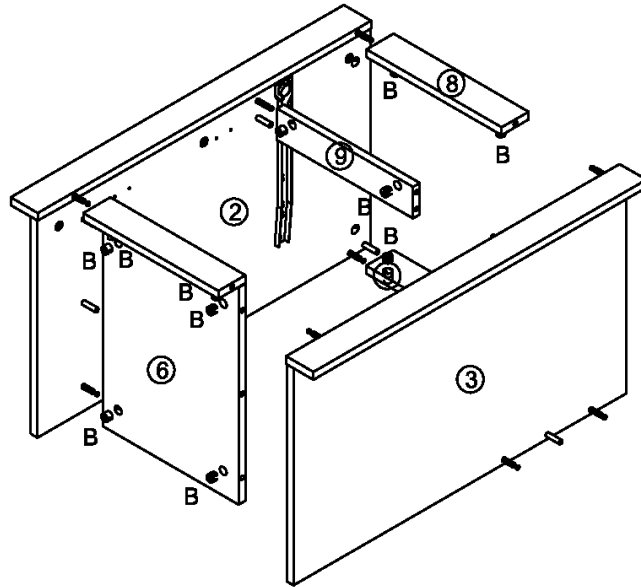


4

B*12



15 mm



5

A*19

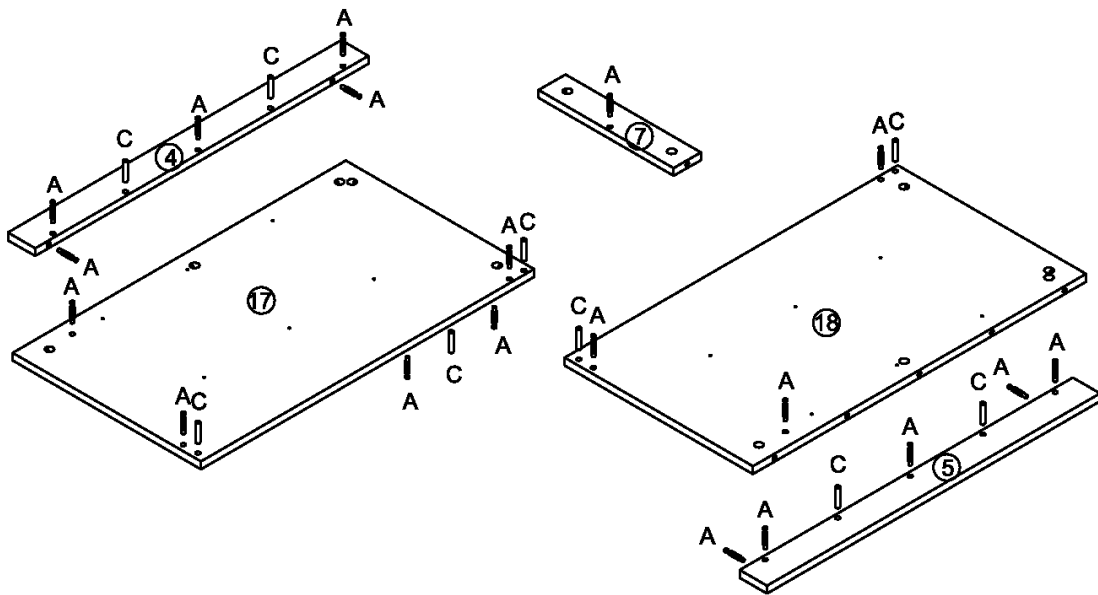


40 mm

C*9



8*40 mm

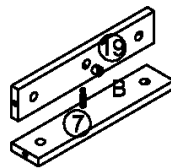


6

B*1

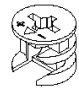


15 mm

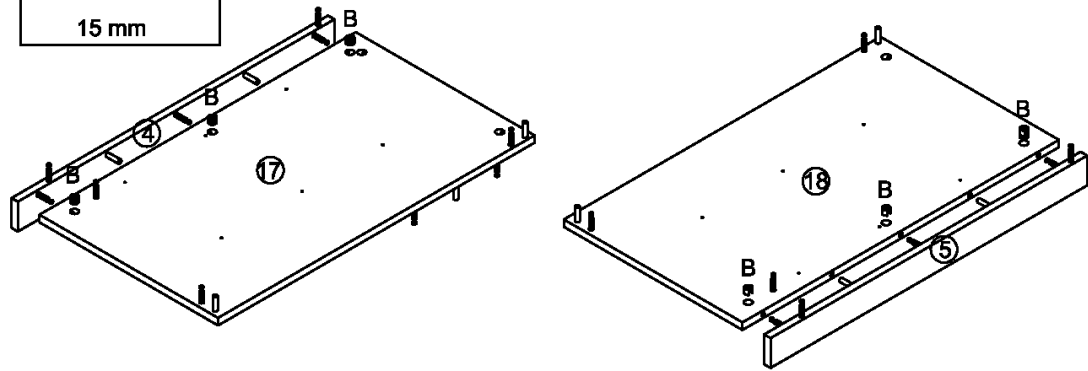


7

B*6




15 mm



8


D*3



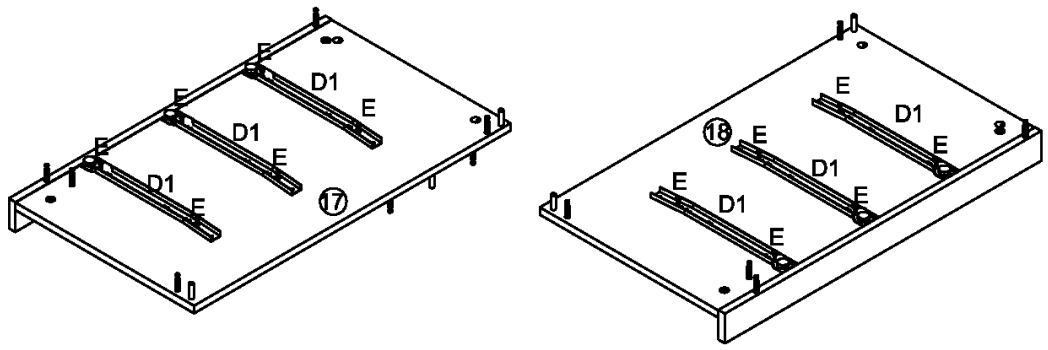
D1

300 mm

E*12




3.5*14 mm

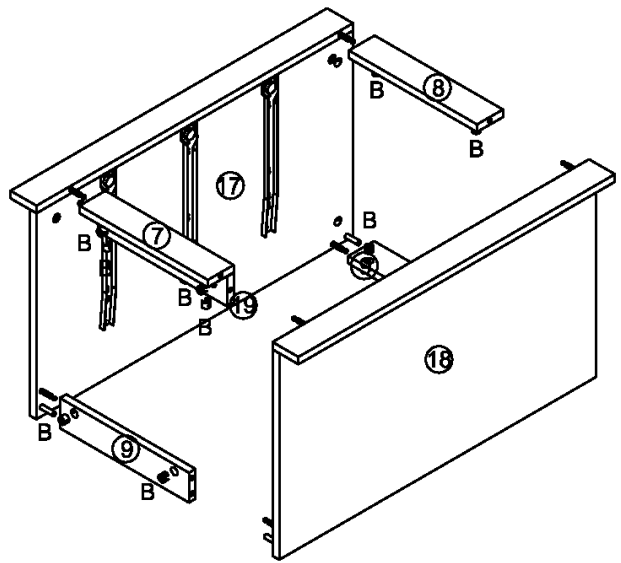


9

B*10



15 mm

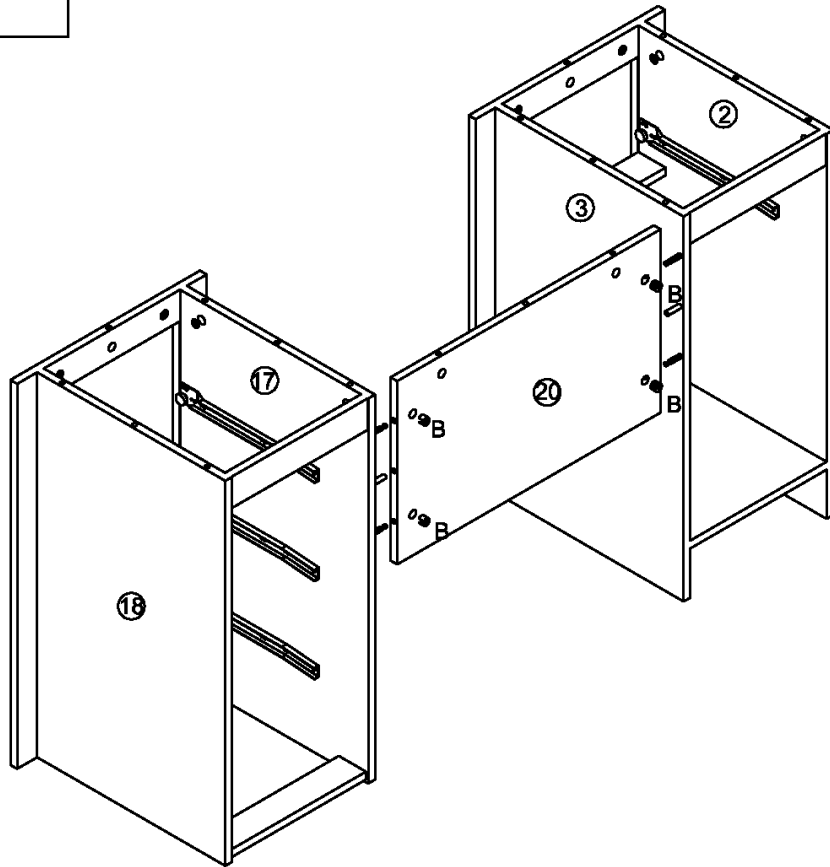


10

B*4



15 mm



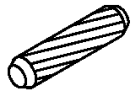
11

A*12

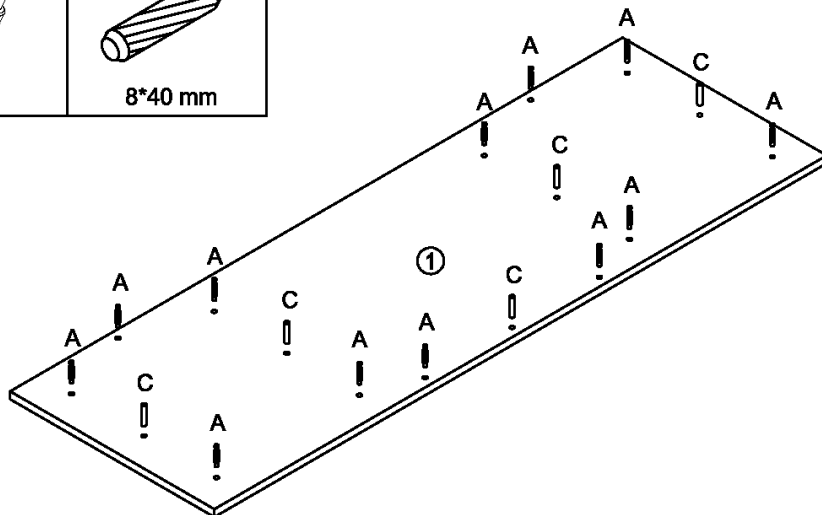


40 mm

C*5



8*40 mm

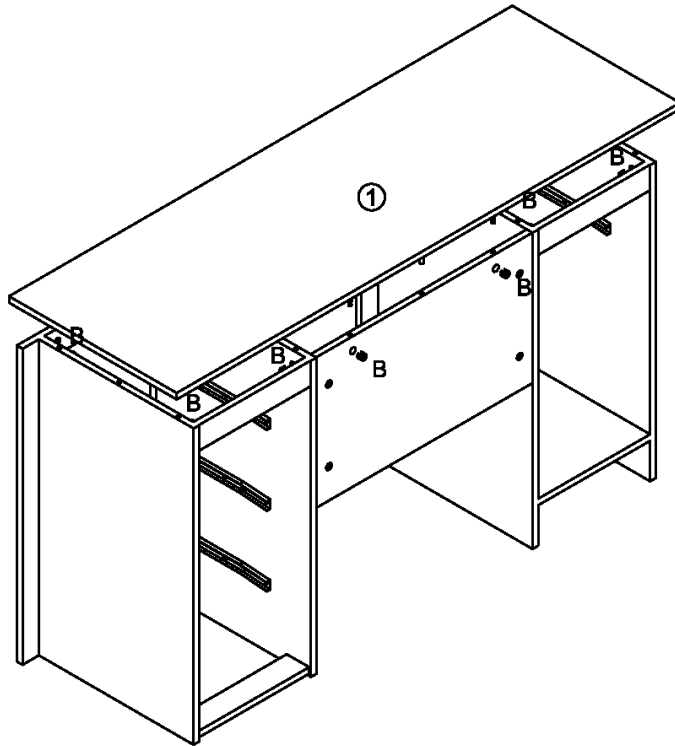


12

B*12



15 mm

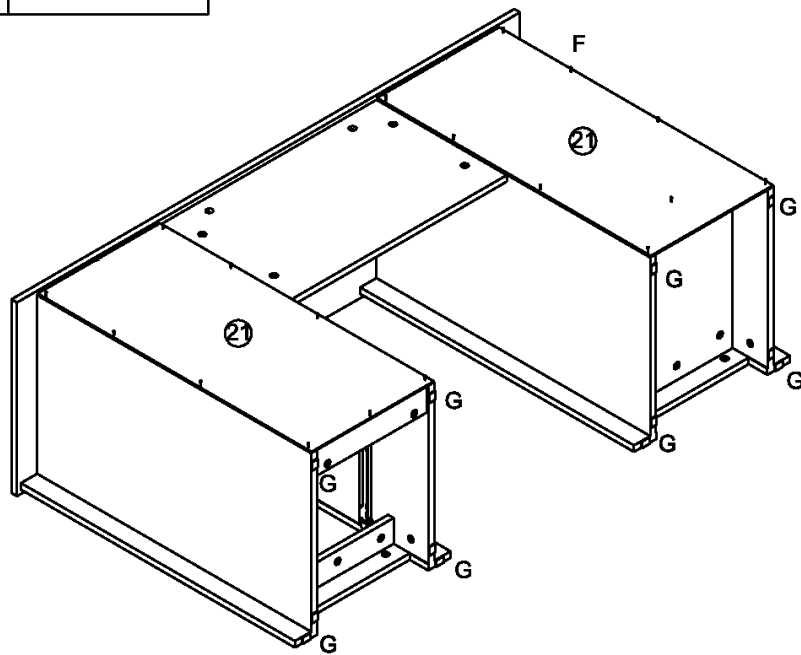
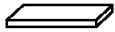


13

F*20



G*12



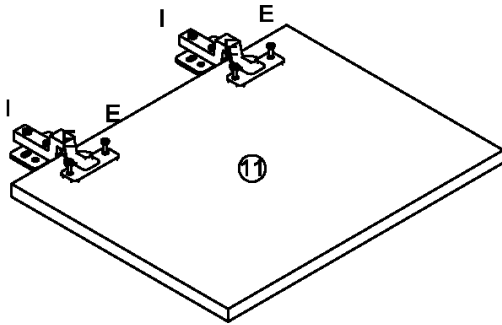
14

E*4



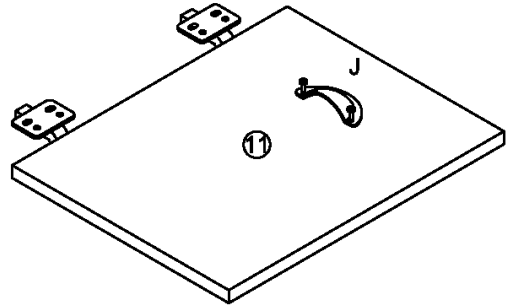
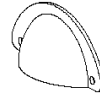
3.5*14 mm

I*2



15

J*1

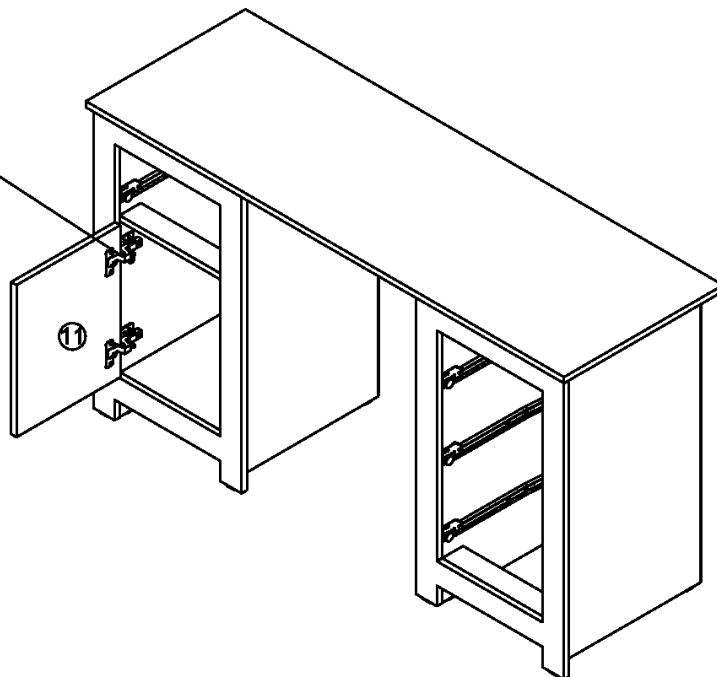
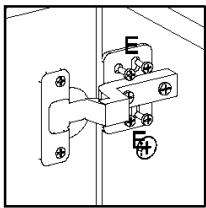


16

E*8



3.5*14 mm

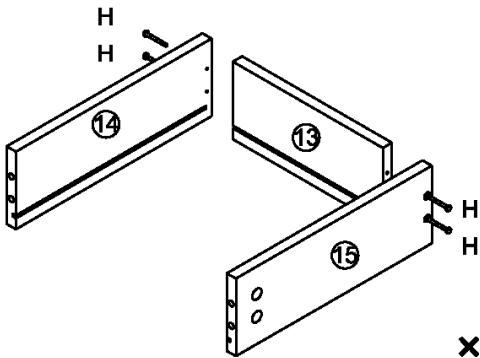


17

H*16

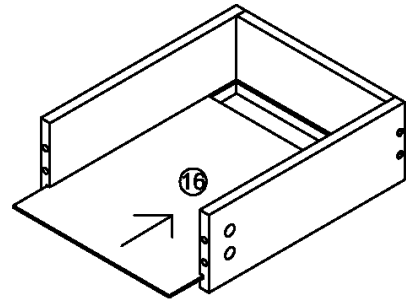


3.5*35 mm



x4

18



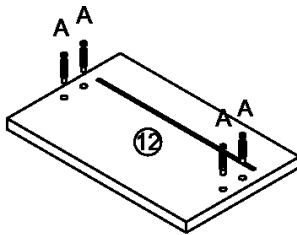
x4

19

A*16



40 mm



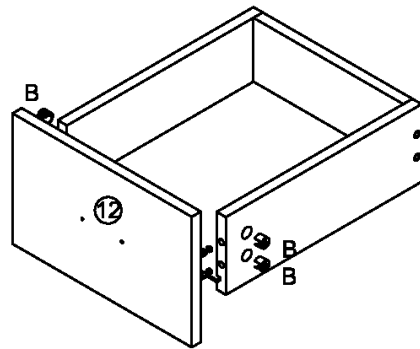
x4

20

B*16



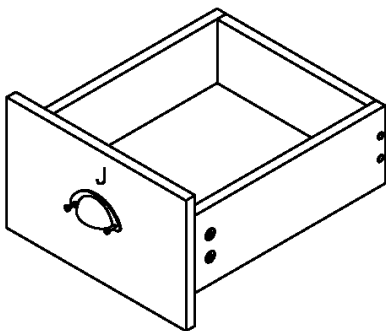
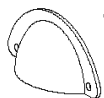
15 mm



x4

21

J*4



x4

22

E*16

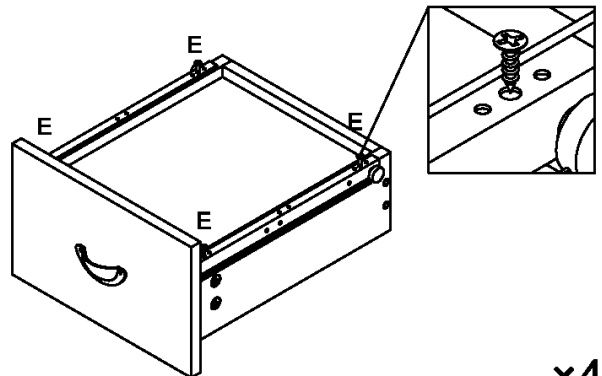


3.5*14 mm

D*4



300 mm



x4

23

K*2

