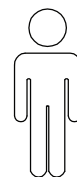
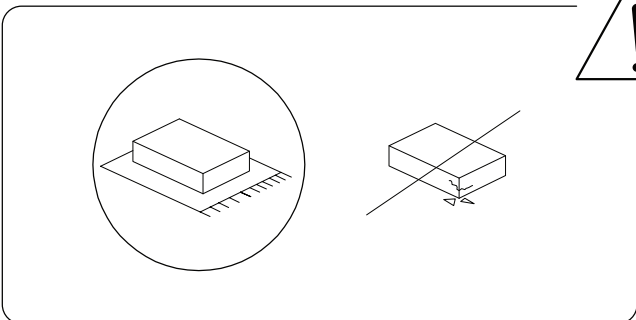
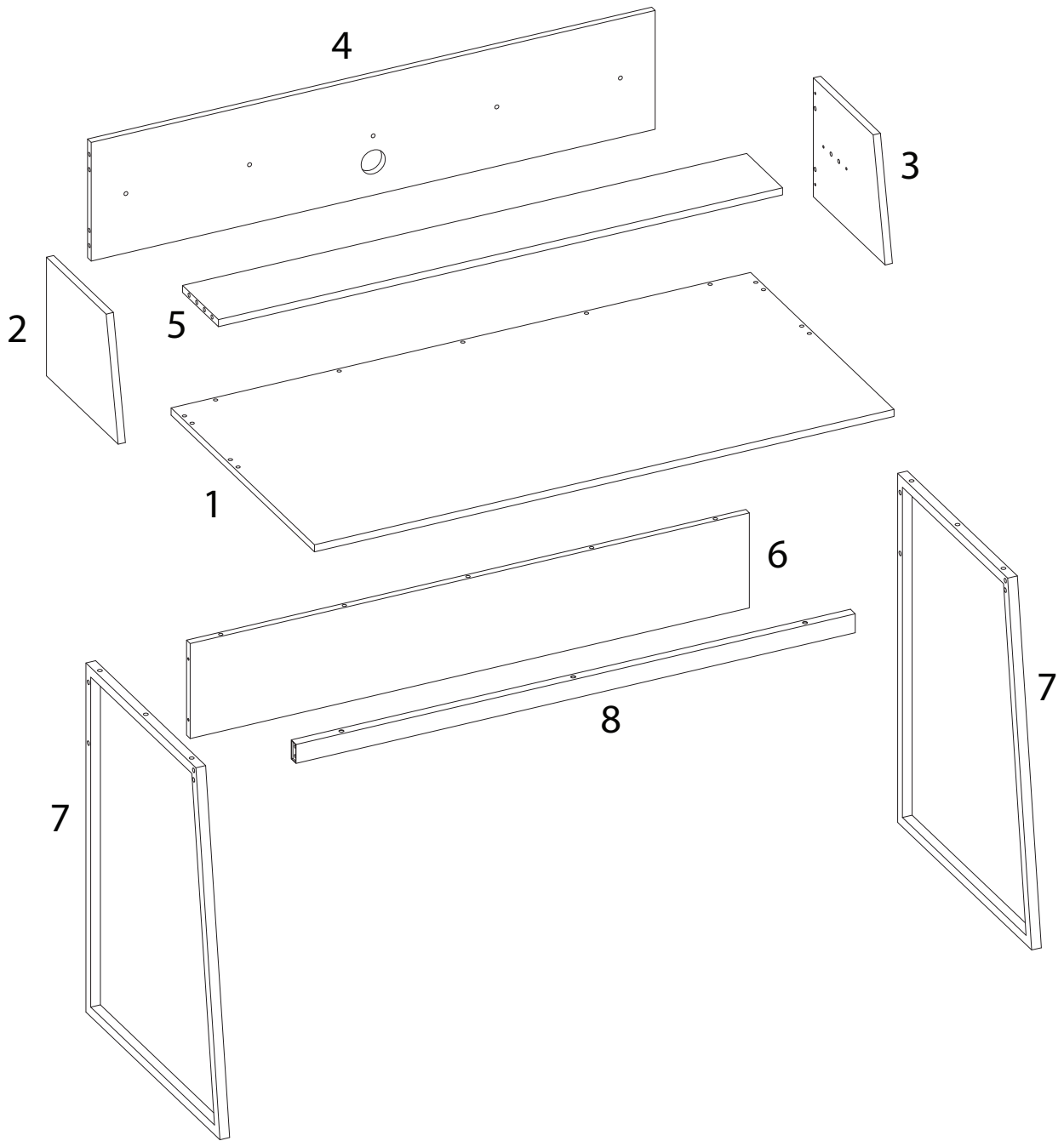


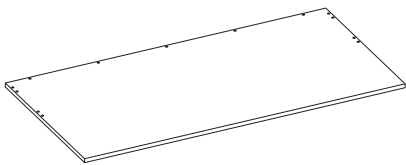
30'



2

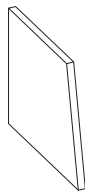


1



x 1

2



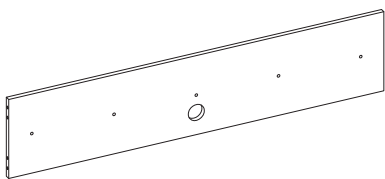
x 1

3



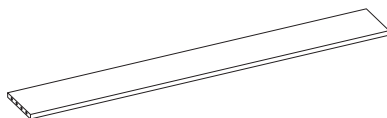
x 1

4



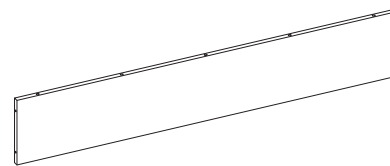
x 1

5



x 1

6



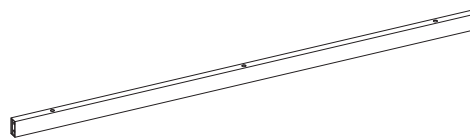
x 1

7



x 2

8



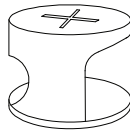
x 1

A



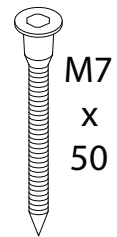
x 13

B



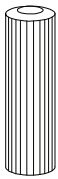
x 13

C



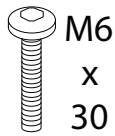
x 14

D



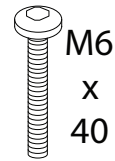
x 16

E



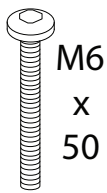
x 6

F



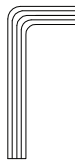
x 4

G



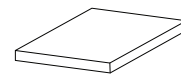
x 3

H



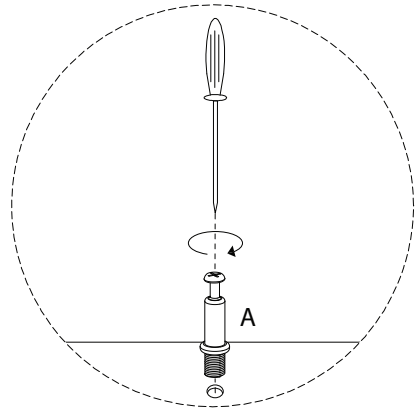
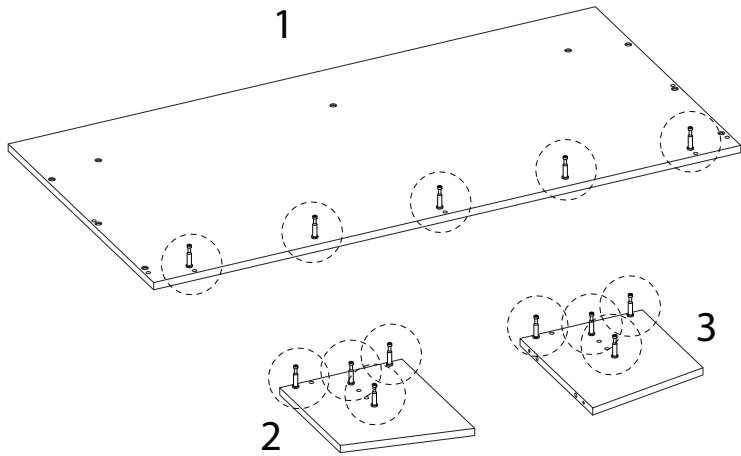
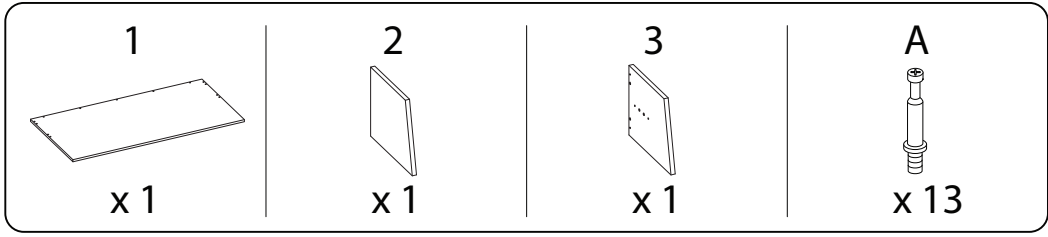
x 1

I

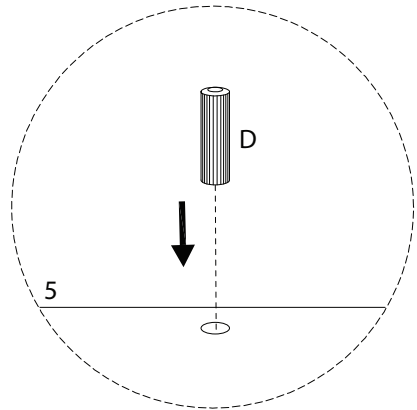
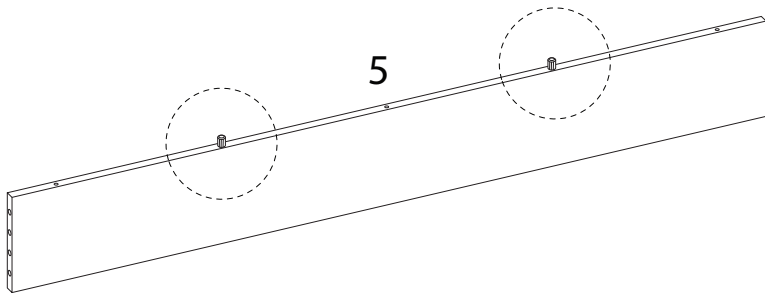
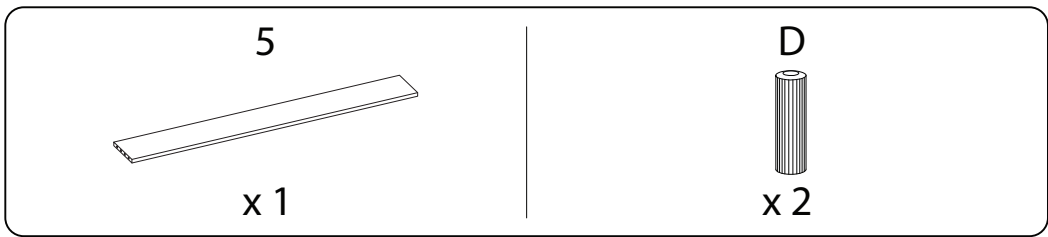


x 4

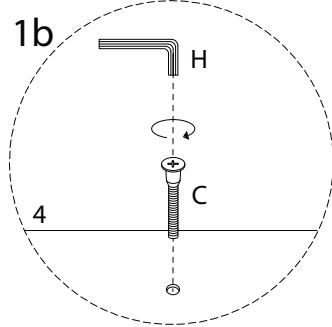
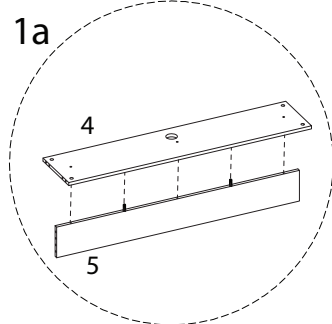
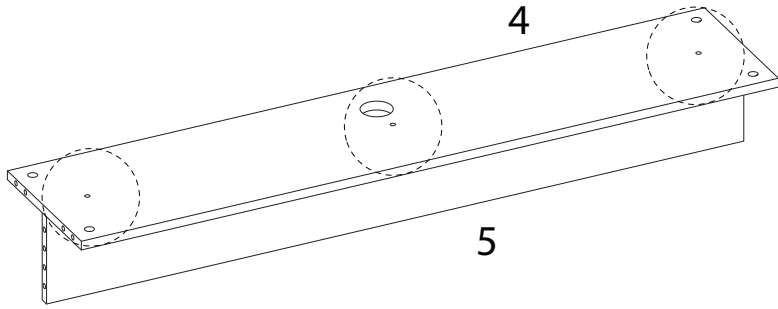
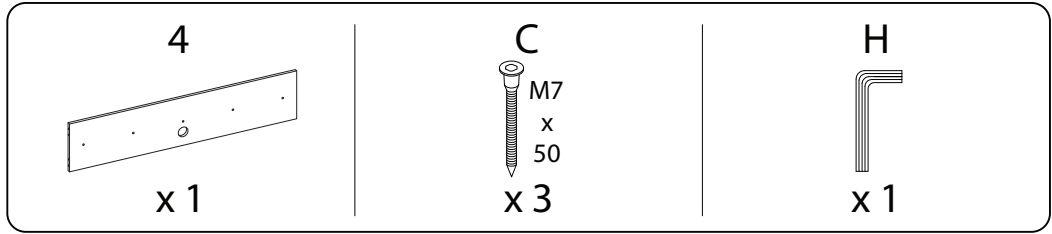
1



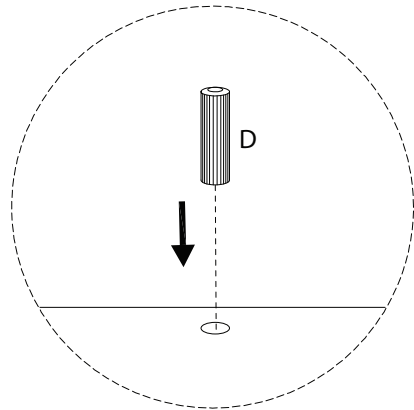
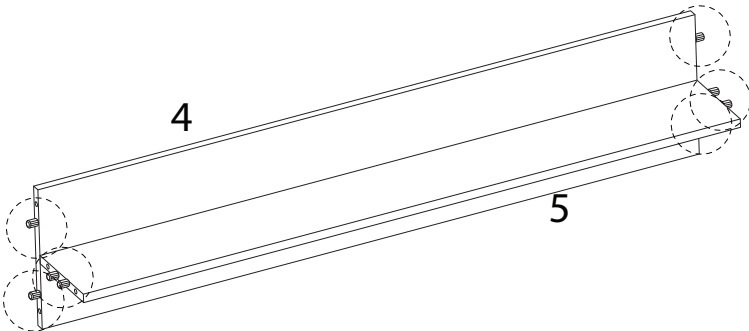
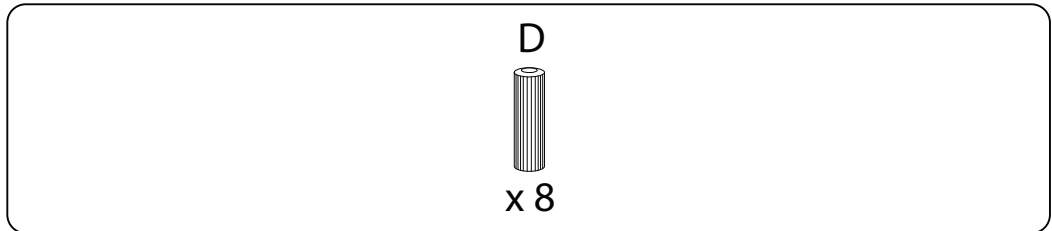
2



3



4

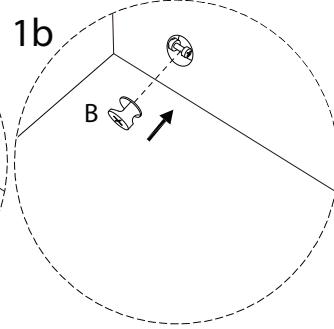
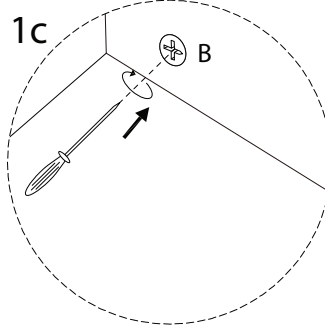
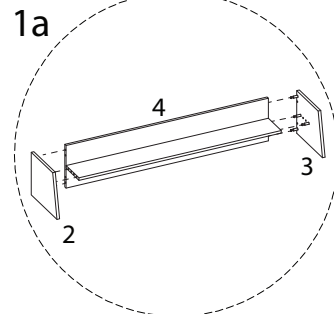
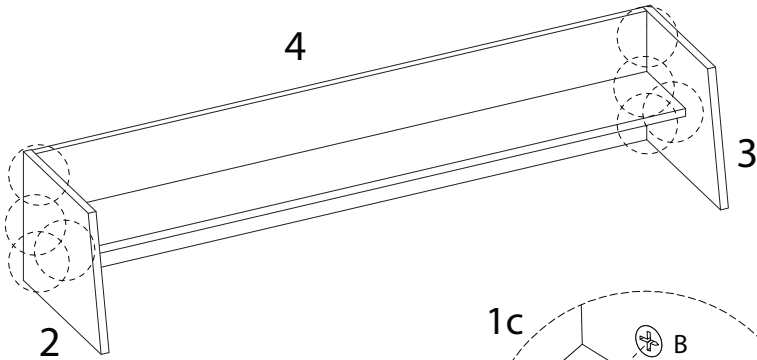


5

B

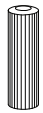


x 8

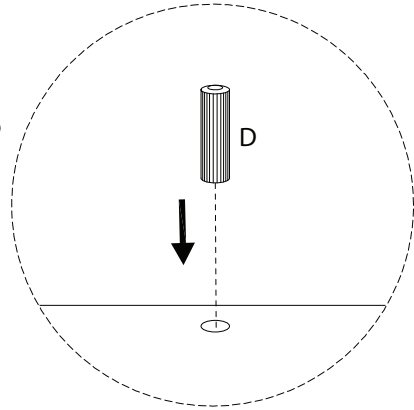
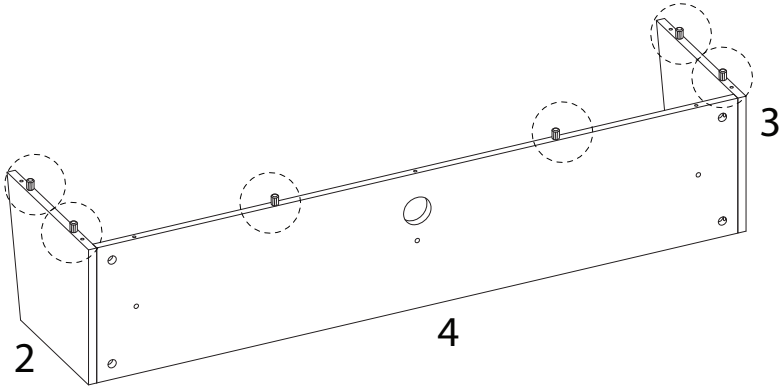


6

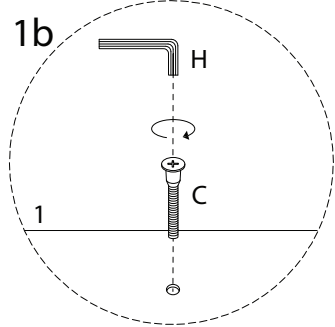
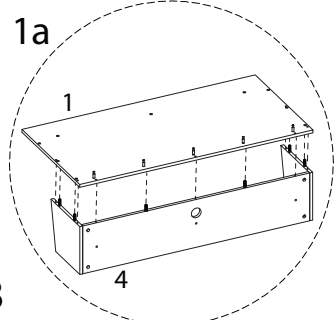
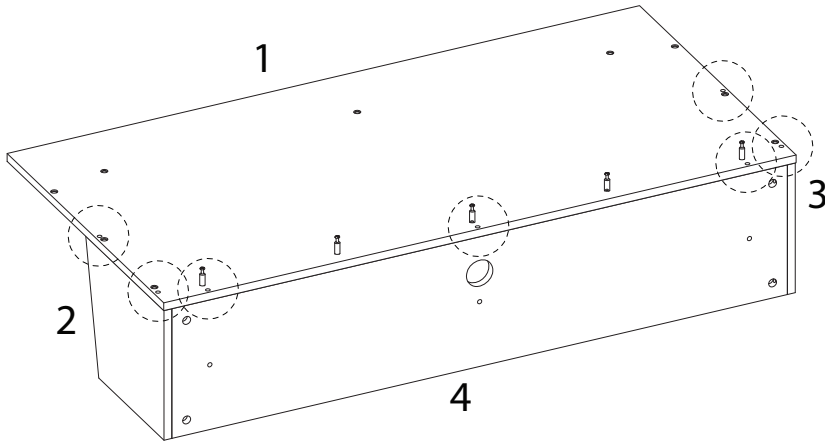
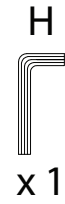
D



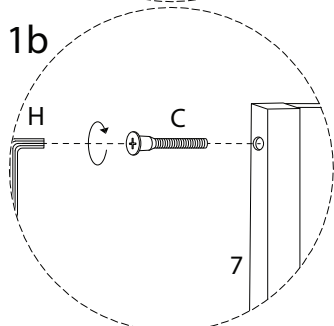
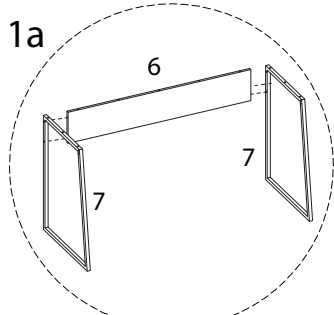
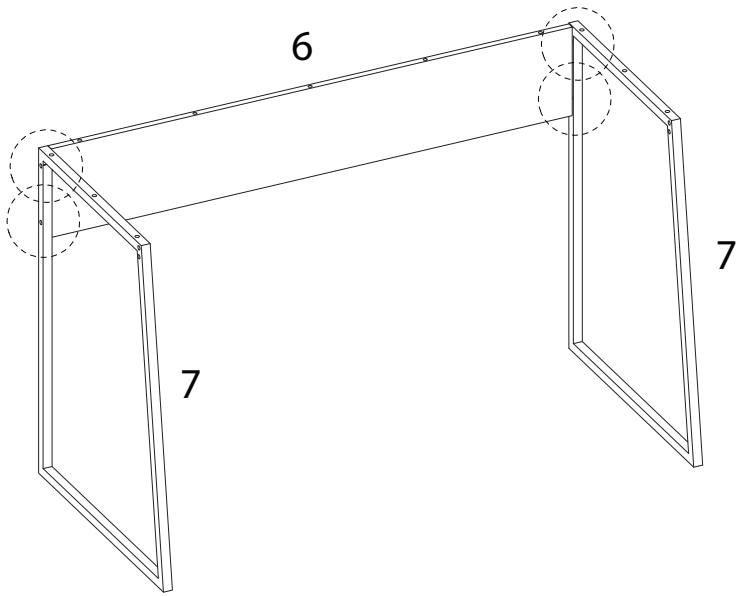
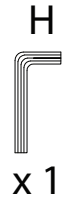
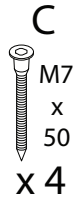
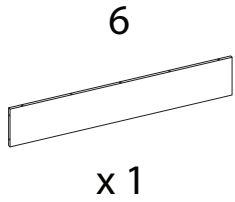
x 6



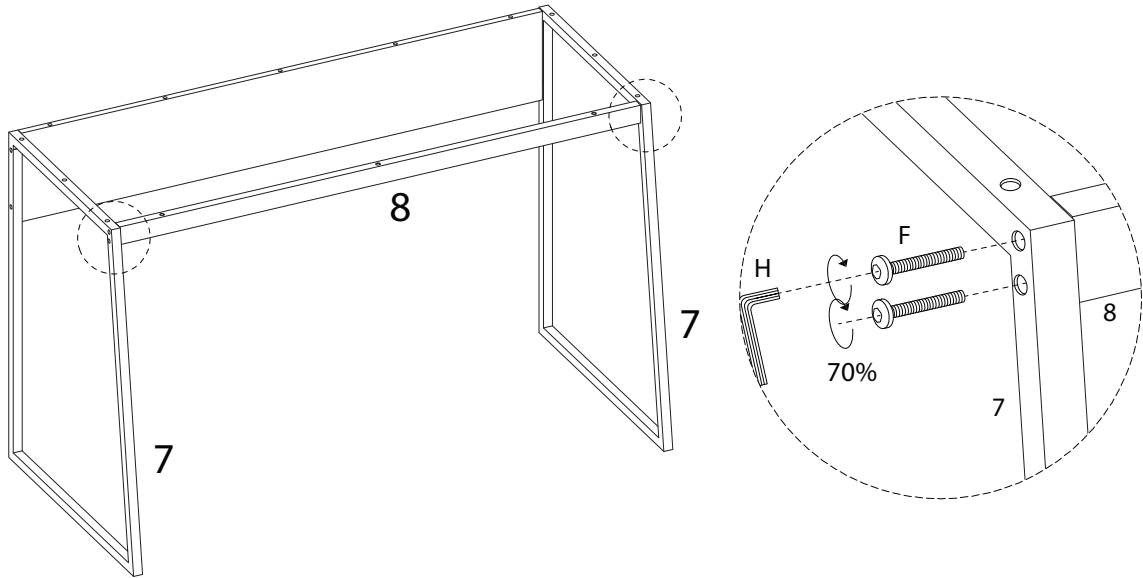
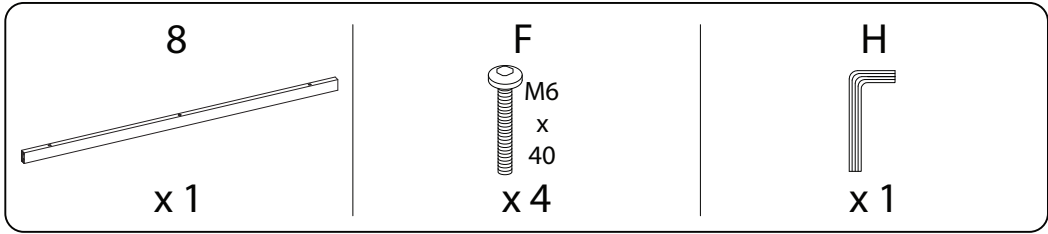
7



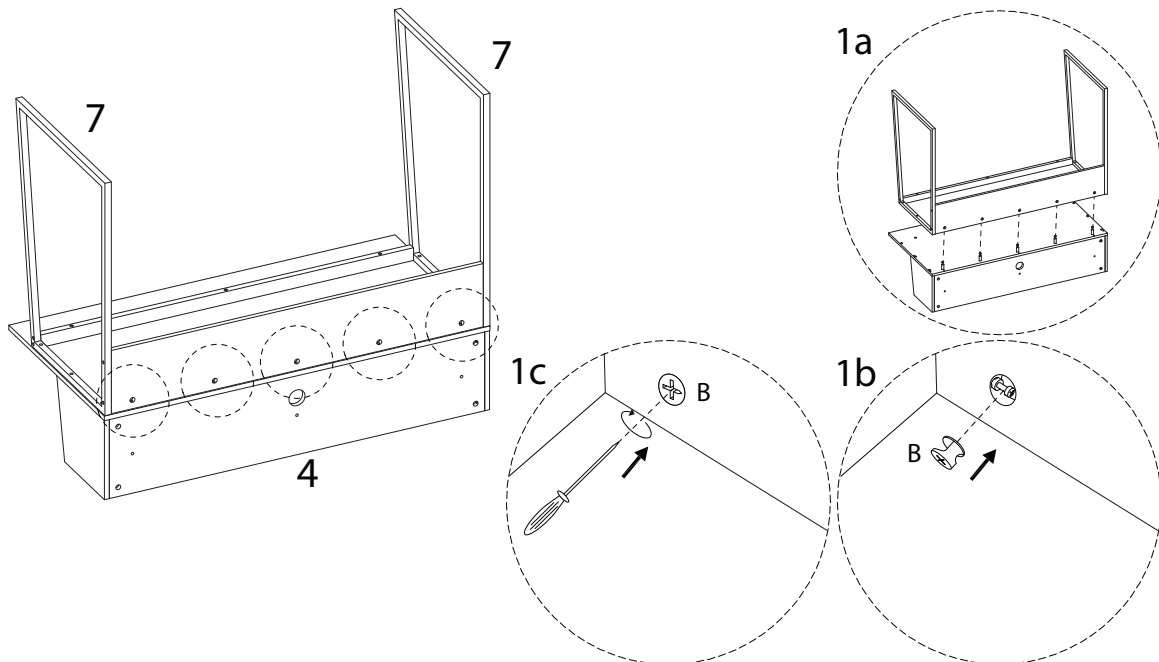
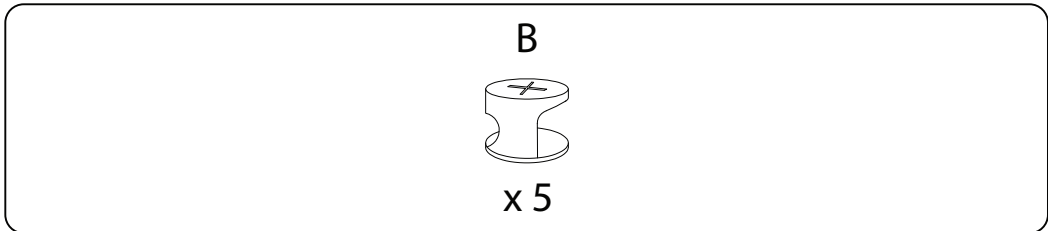
8



9



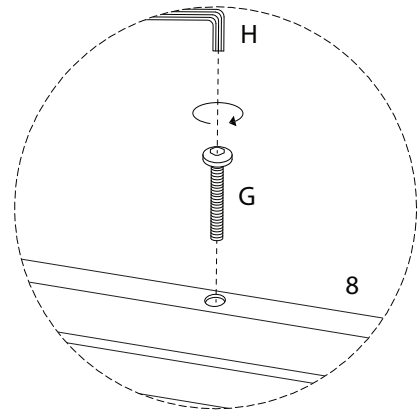
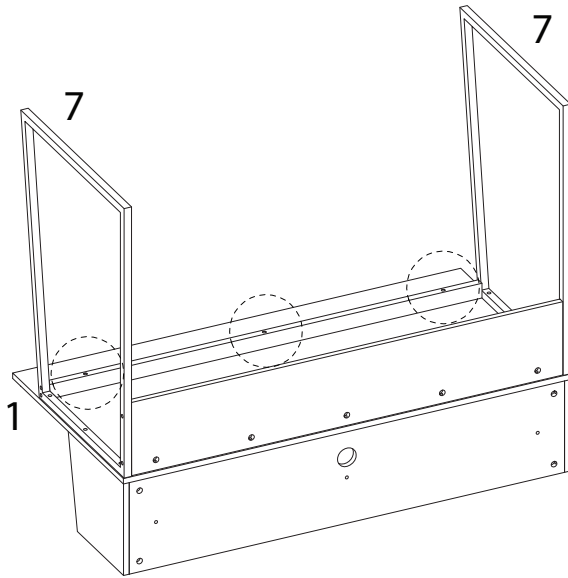
10



11

G
M6
x
50
x 3

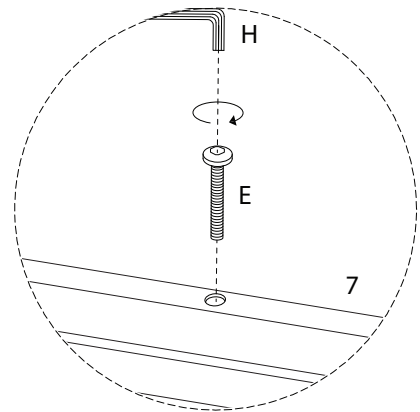
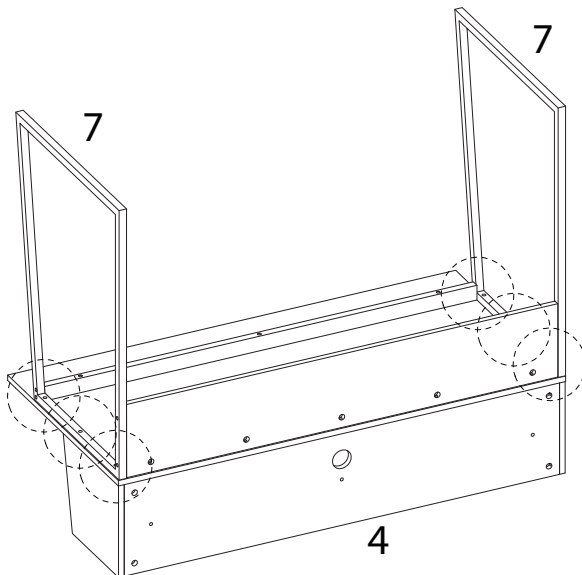
H
x 1



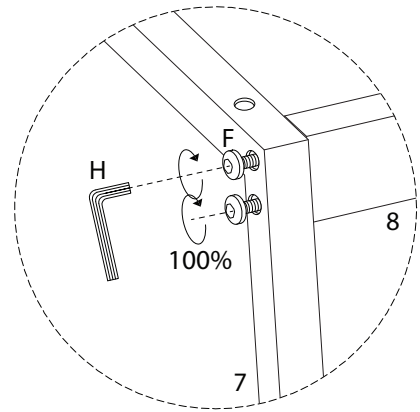
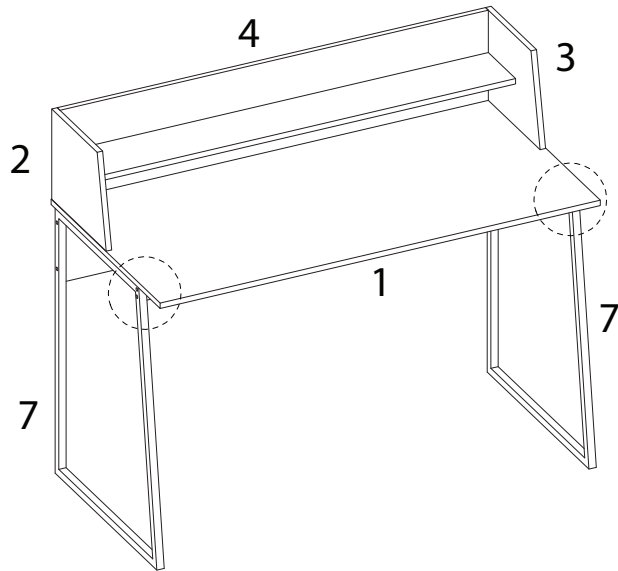
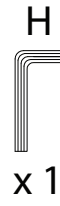
12

E
M6
x
30
x 6

H
x 1



13



14

