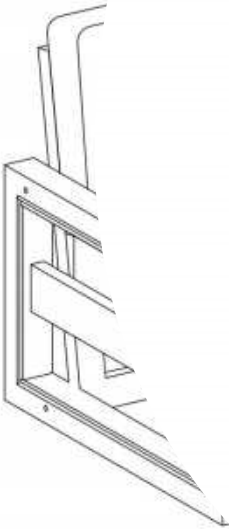


# Owner Manual



# WARRANTY

We strive to offer high quality product and we also try our best to satisfy each customer that order from us, no matter on products or services as needed. Each customer receives a record of their order, such as the order number or item receipt. For any items that are out of warranty period, you may still be able to purchase the replacement parts from our company if they are available.



# MAINTENANCE AND WARNING

Please read the manual thoroughly  
before you start installing.

Please keep the product away from  
sharp object.

Packaging and small parts may have  
chocking hazard, please keep them away  
from children and pets.

Please clean the product according to each  
clean code, check the product description  
for more information.

Please keep the product away from  
fire.

If you have any other questions, please  
contact us, we will be glad to help you out.

If the product is placed under direct  
sunlight, the pattern or color might fade  
away overtime.

Check the product periodically to make  
sure everything is secured and tightened.

Always use proper tools for installation.

Do not jump on the product.



Around 15 min

# PRODUCT DESCRIPTION

Outdoor solid wood patio set, includes various seating, side table and coffee table. Features a square geometric cut design with clean, sharp lines. The overall look is simple, offering a modern architectural feel that elevates the **style of patios and decks.**

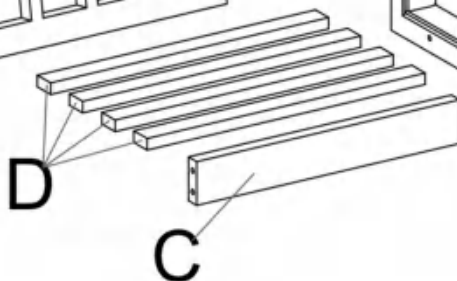
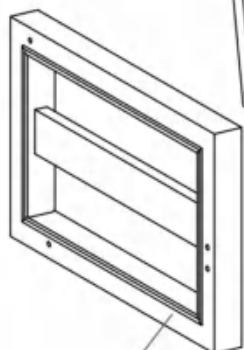
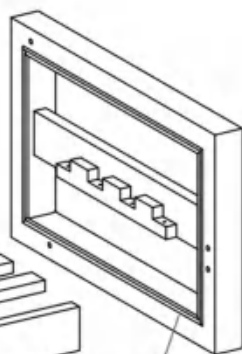
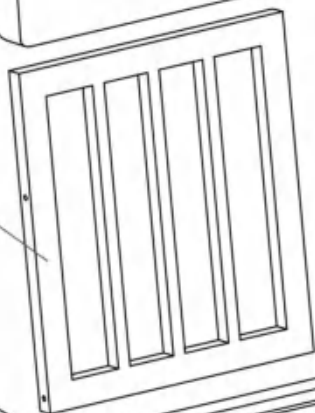
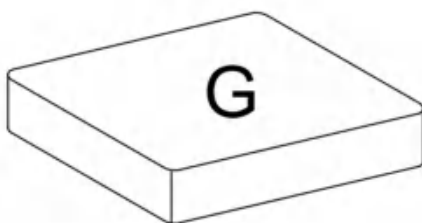
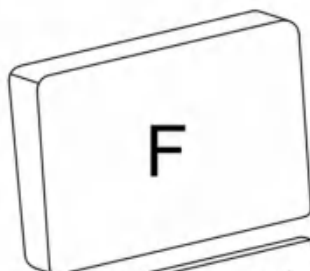
Thickened high-density foam filling. The seat and back cushions are plump and substantial, offering excellent resilience and sinking comfort for prolonged, relaxed seating.

Modular design: single chair/loveseat + coffee table/side table, four modules are able to arrange by your needs or like.

Water-resistance cotton-blend fabric. Offers good water and stain resistance, protecting against common outdoor splashes and dampness. Easy to maintain with a simple wipe.

Heavy frame made of natural solid teak wood. High density and natural oils provide inherent rot resistance, insect resistance, and exceptional stability. The robust frame and joinery ensure superior load-bearing capacity and long-term durability.

# EXPLODED VIEW



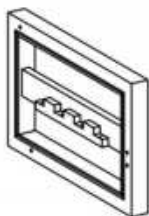
# PARTS

A\*1



Right leg

B\*1



Left Leg

C\*1



Front Panel

D\*4



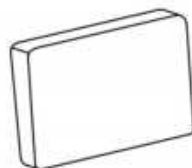
Seat Frame Bar

E\*1



Back Frame

F\*1



Back cushion

G\*1



Seat cushion

Hx1



Bag

Ix1



Seat cushion cover  
(Hide in bag)

Jx1



Backrest cover  
(Hide in bag)

★The Cover with the washing label is the Backrest Cover

# HARDWARE

## TOOL LIST

NOTE: Designated with (★) We provide additional spare parts in the hardware package

①x8



★ Bolt  
M6\*30mm

②x16



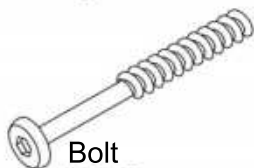
★ Flat washer  
φ6\*14mm

③x4



★ Bolt  
M6\*45mm

④x4



★ Bolt  
M6\*65mm

⑤x4



★ Vertical nut

⑥x8



★ Plastic Caps

⑦x1



Allen key

Please make sure all hardware&packing material fitting the list. Especially some small accessories may be missing during transportation. Please contact us if you have any question.

# step 1---Cut the plastic air compression bags

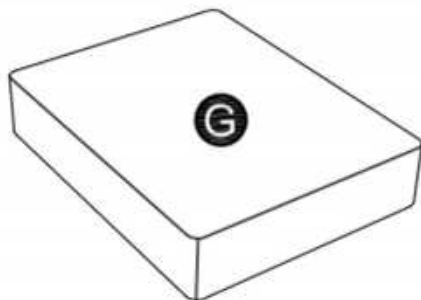
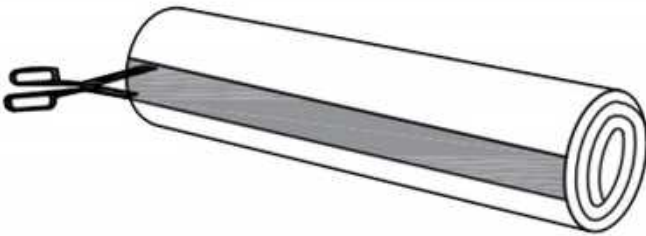
Cut the plastic air compression bags, and take out the cushion (G&F). Let it recover to its original shape, the whole recovery process might take **72** hours, you may gently slap on it to speed up the process.



Use care when opening the bag to avoid injury from sudden expansion. Keep away from face and body while cutting.

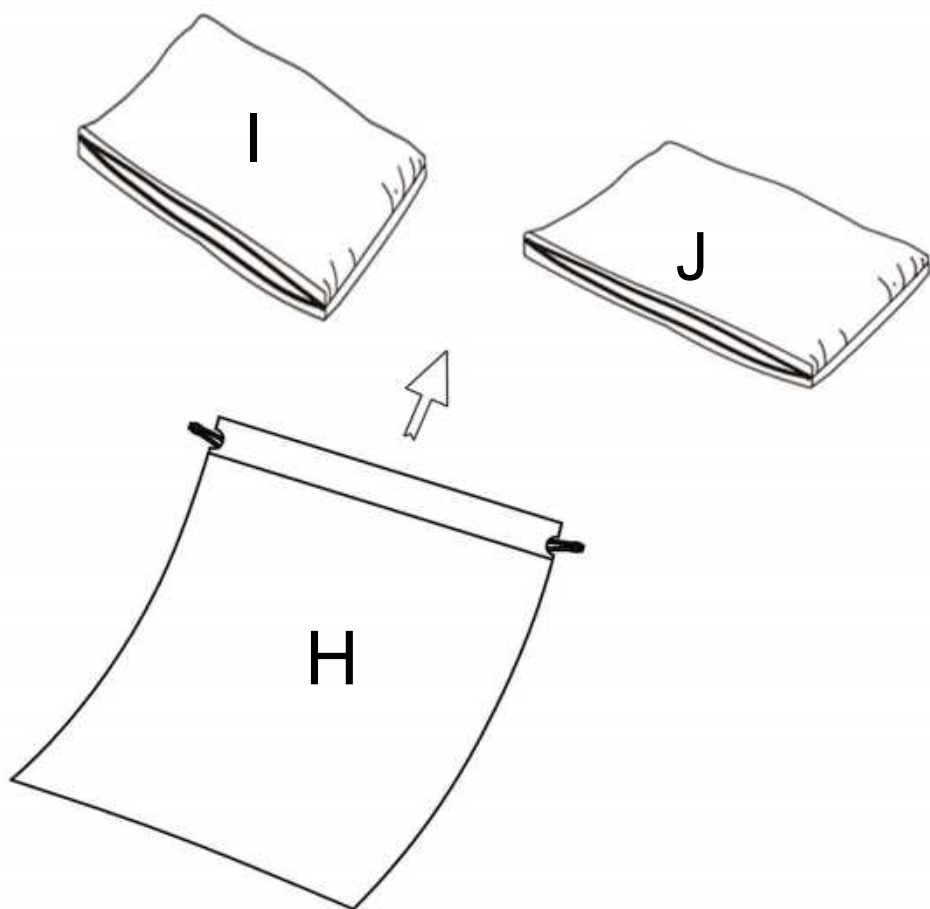


Please exercise caution when opening the packaging to avoid injury or damage to the product.



## step 2 ---Take out the cushion cover

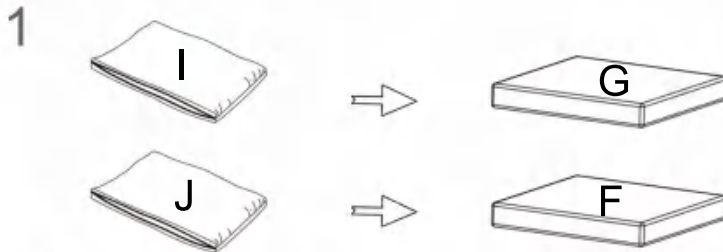
Open the bag, take out the back cushion cover (J) and seat cushion cover (I).



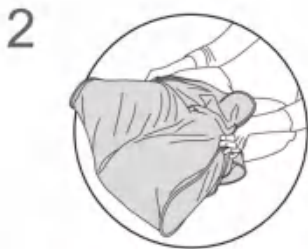
# step 3 ---Put on the cushion cover

## How to Put on the Cushion Cover

---



1. Take the cushion covers and inner out of the carton.



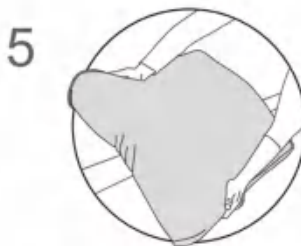
2. Fold the inner in half, pushing the sides together, then begin to slide the cover onto it.



3. Align both far corners, then gently compress insert while fitting cover around it.



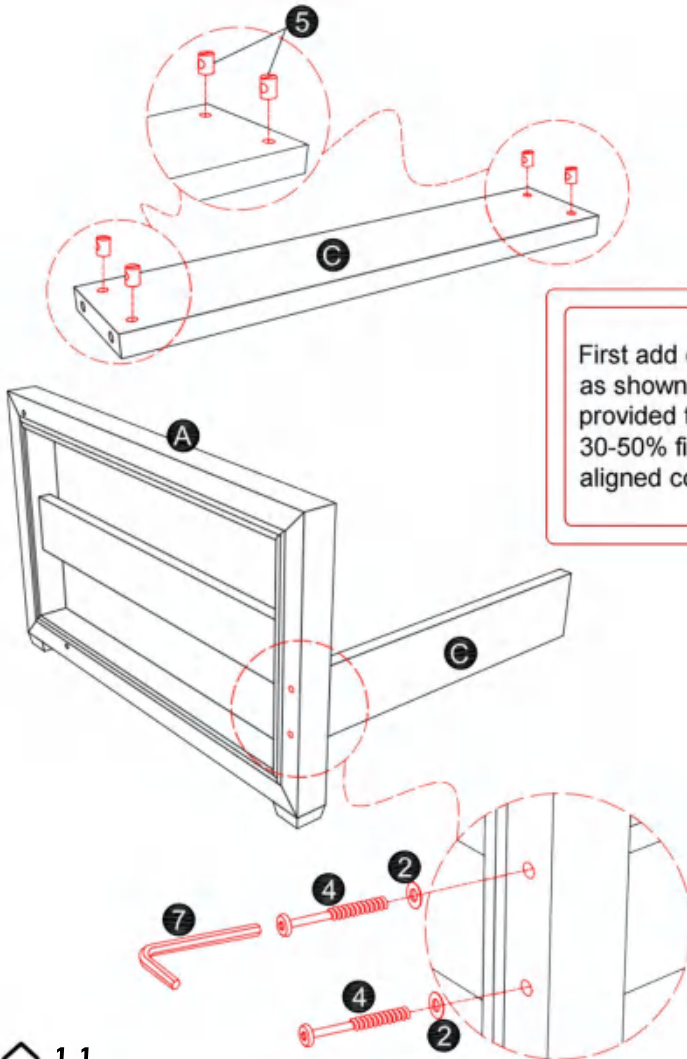
4. To avoid a stuck zipper, please pull the fabric away from the zipper before moving forward.



5. When all done, please pat the cushion or give it a little shake to make it more flat.

# step 4 ---Install the Front panel (C)

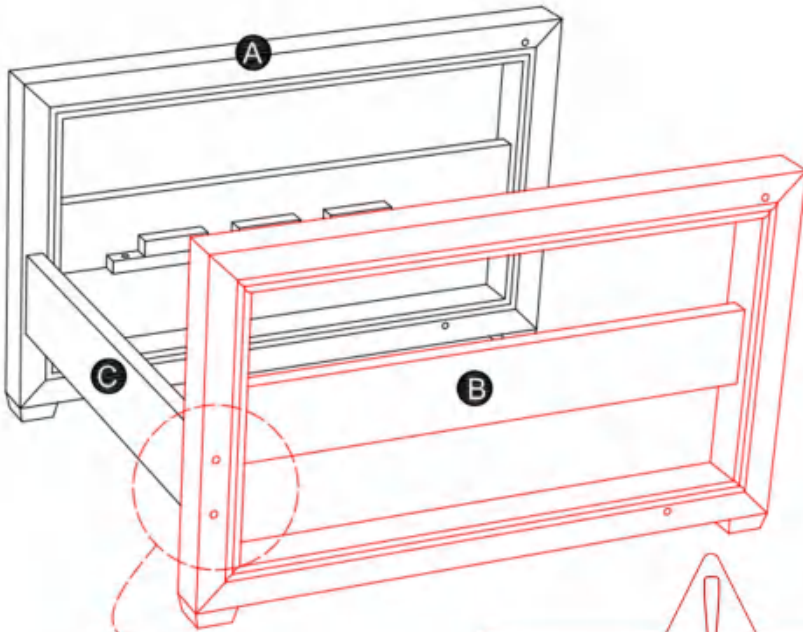
Insert Vertical Nuts (5) into the designated holes of each front panel (C) as shown. Make sure the holes are aligned with the screw holes on the sides. Use Screws (4) & Flat washer (2) and Allen Wrench (7) provided to attach the front panel (C) between Armrest (A) as shown.



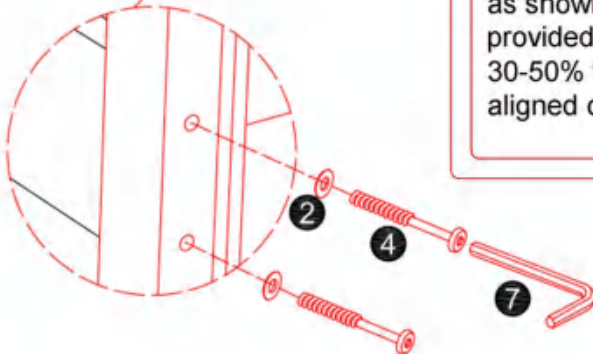
**!**  
First add one flat washer on each bolt as shown, use the allen wrench provided to tighten all the bolts by 30-50% first, make sure that all bolts are aligned correctly before fully tightening.

# step 5 ---Install the Left Armrest (B)

Use Screws (4) & Flat washer (2) and Allen Wrench (7) provided to attach the Left Armrest (B) to the Front panel (C) as shown.

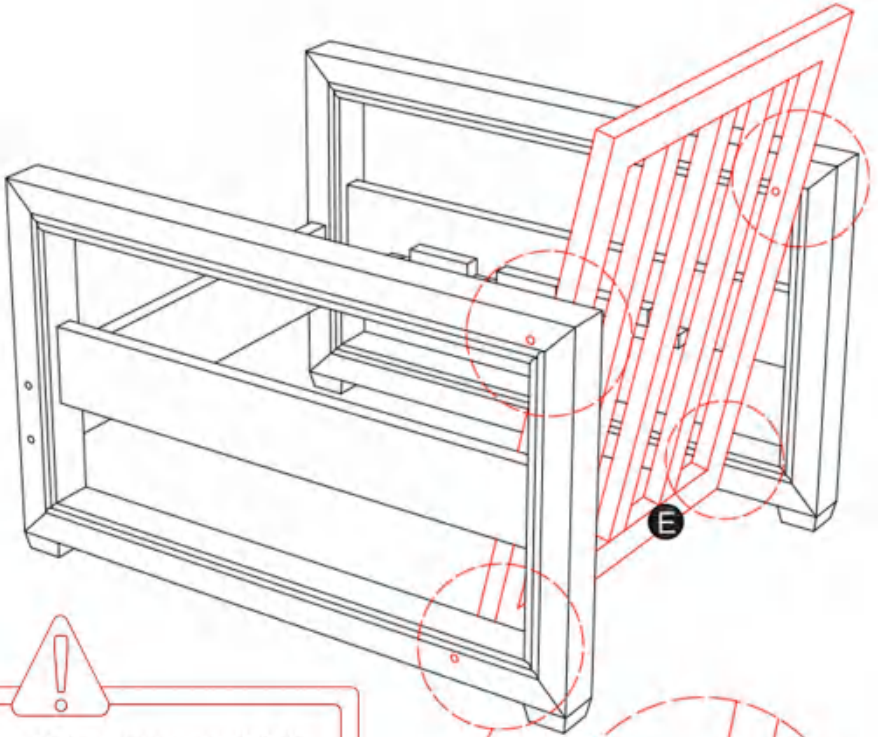


First add one flat washer on each bolt as shown, use the allen wrench provided to tighten all the bolts by 30-50% first, make sure that all bolts are aligned correctly before fully tightening.



# step 6 ---Install the Backrest Frame (E)

Align the Backrest Frame (E) with the holes on armrest as shown. Secure with Screws (3) & flat washer (2) on both sides and tighten firmly as shown.

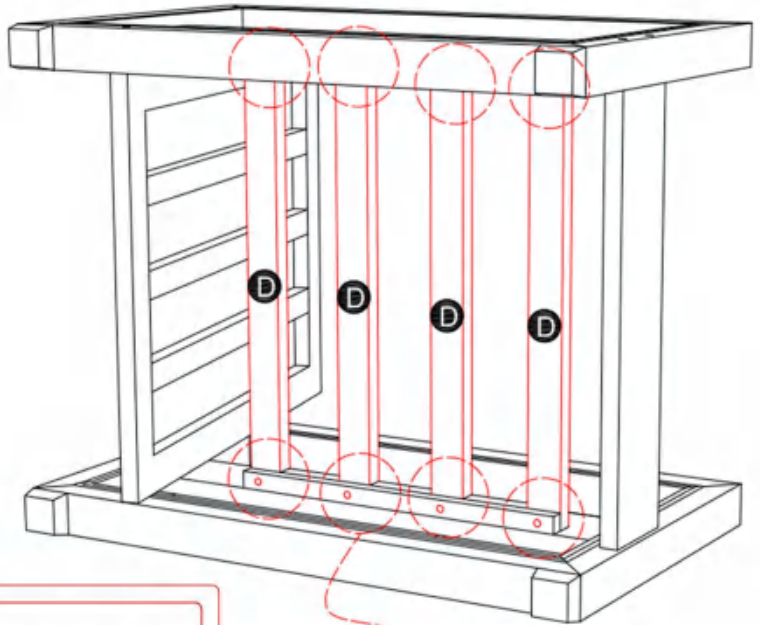



First add one flat washer on each bolt as shown, use the allen wrench provided to tighten all the bolts by 30-50% first, make sure that all bolts are aligned correctly before fully tightening.

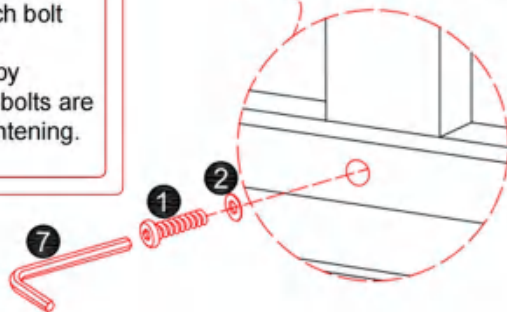


# step 7---Install the Seat frame bar (D)

Align the Seat Frame Bars (D) with the designated holes on both the Left and Right Armrests as shown. Place one washer (2) on each bolt (1), then use the provided allen wrench (7) to tighten all bolts (1).

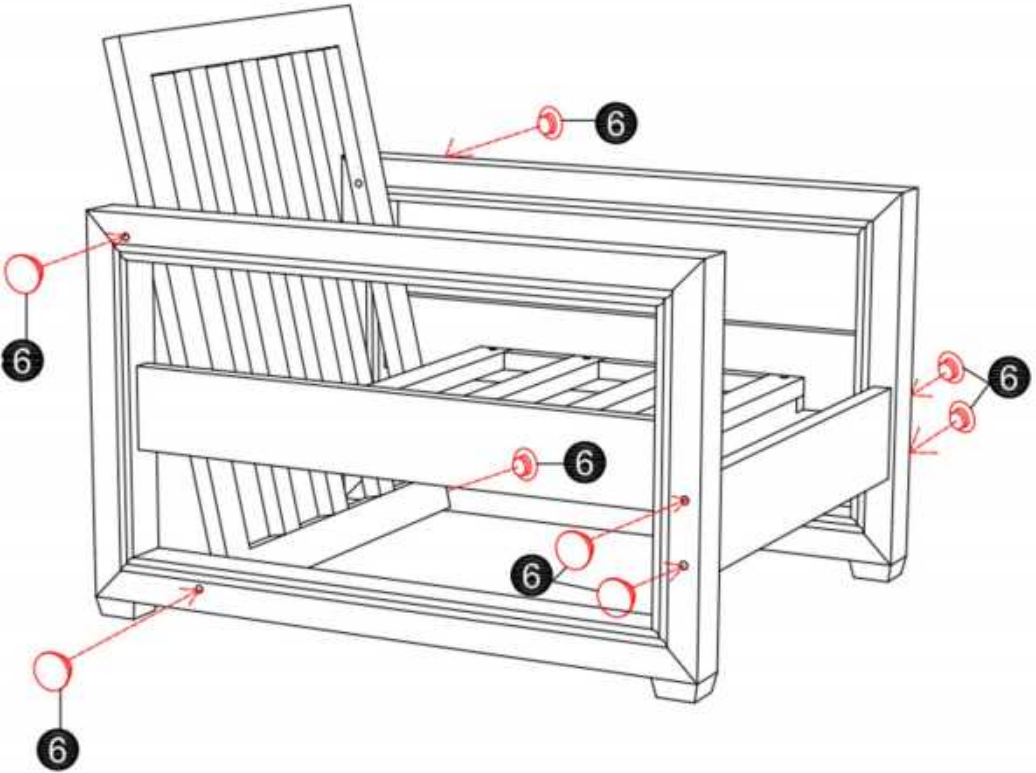


  
First add one flat washer on each bolt as shown, use the allen wrench provided to tighten all the bolts by 30-50% first, make sure that all bolts are aligned correctly before fully tightening.



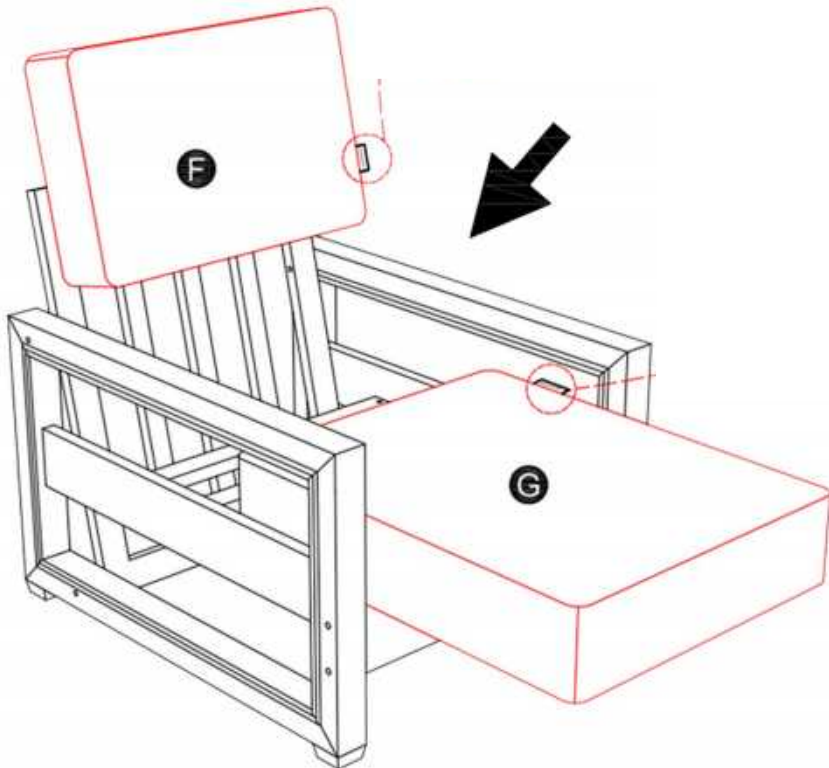
# step 8 ---Install the Plastic Caps (6)

Cover each screw hole with Plastic Caps (6). Press down firmly until flush with the surface.



# step 9 ---Place the seat &back cushion

Place the Seat Cushion (G) with the tag side up. Place the Back Cushion (F) against the backrest with the tag facing front as shown.



# step 10 ---Assemble complete

Congradulations! You have finished the assembly, thank you again for choosing our product! Please enjoy!

