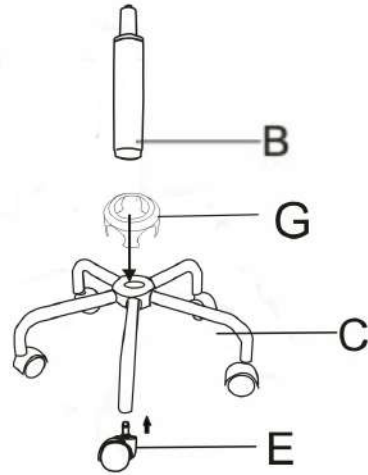


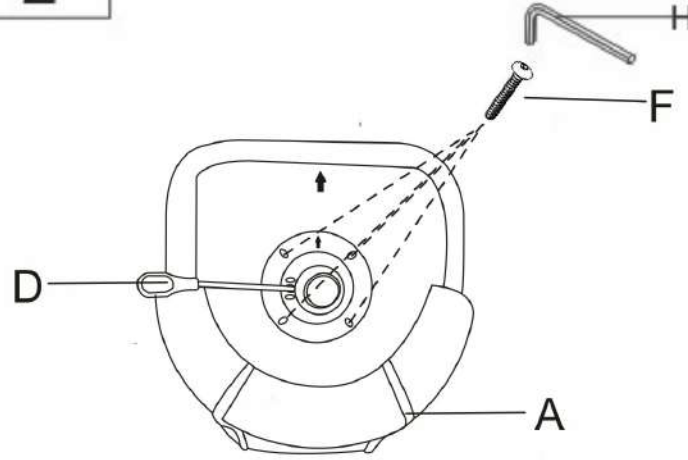
# ASSEMBLY INSTRUCTION

## ASSEMBLY PROGRAM

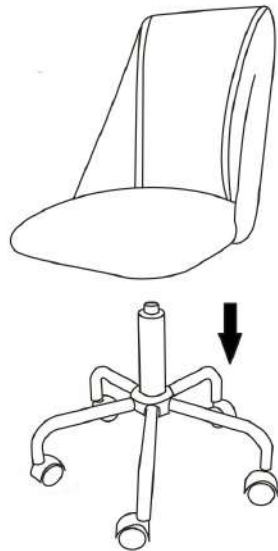
1



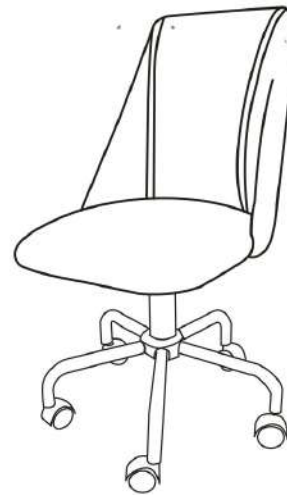
2



3



4



## PARTSxQTY

Ax1



Ex5



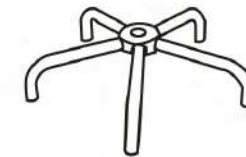
Bx1



Fx4



Cx1



Gx1



Dx1



Hx1

