

Owner Manual



WARRANTY

We strive to offer high quality product and we also try our best to satisfy each customer that order from us, no matter on products or services as needed. Each customer receives a record of their order, such as the order number or item receipt. For any items that are out of warranty period, you may still be able to purchase the replacement parts from our company if they are available.



MAINTENANCE AND WARNING

Please read the manual thoroughly
before you start installing.

Please keep the product away from
sharp object.

Packaging and small parts may have
chocking hazard, please keep them away
from children and pets.

Please clean the product according to each
clean code, check the product description
for more information.

Please keep the product away from
fire.

If you have any other questions, please
contact us, we will be glad to help you out.

If the product is placed under direct
sunlight, the pattern or color might fade
away overtime.

Check the product periodically to make
sure everything is secured and tightened.

Always use proper tools for installation.

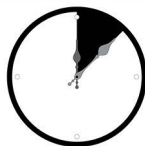
Do not jump on the product.



Two people



0-3



Around 25 min

PRODUCT DESCRIPTION

Premium Corduroy Fabric – The sofa is upholstered in corduroy, offering a warm, inviting texture that is both comfortable and visually distinctive.

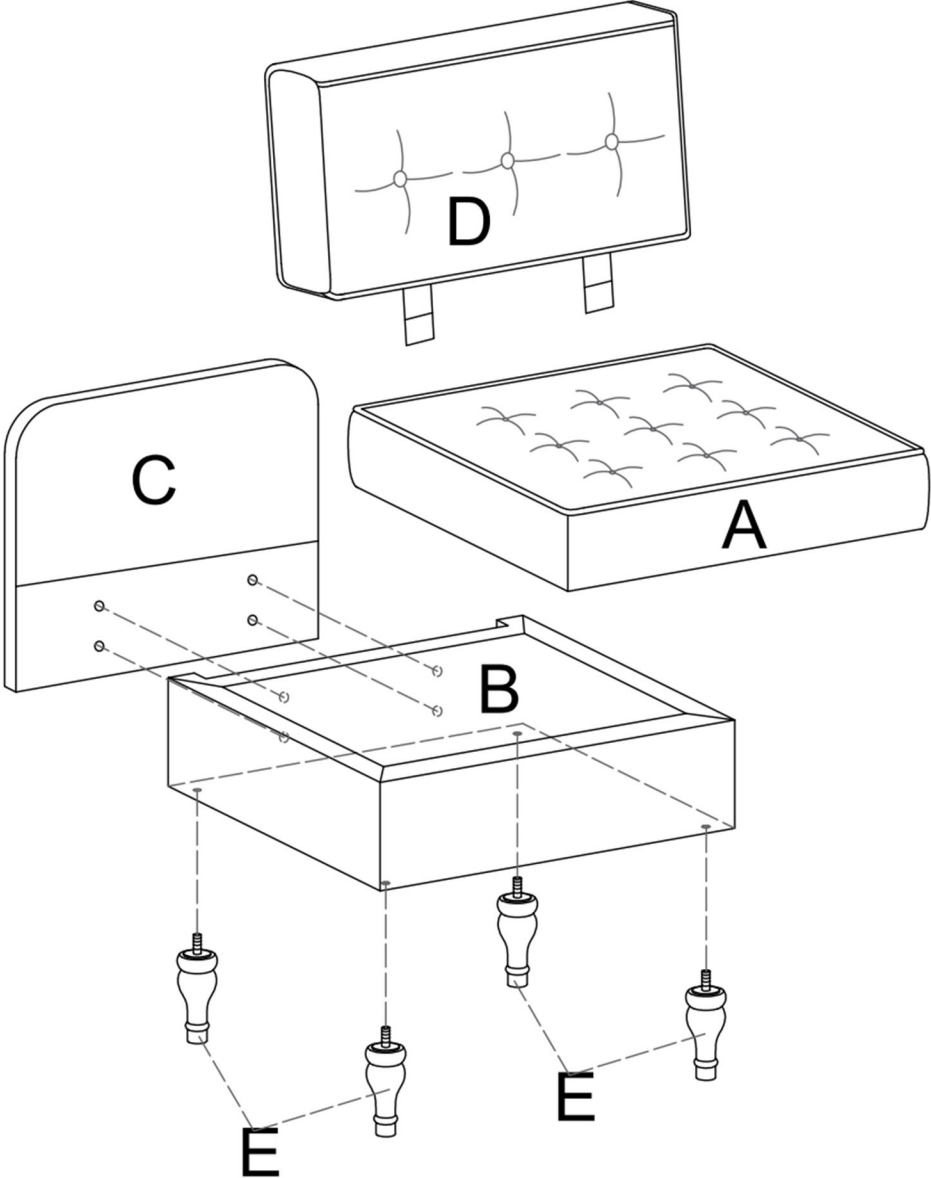
Durable Solid Wood Frame – Supported by a solid wood frame and sturdy wooden legs, this armless middle seat is built for long-term use.

Supportive Cushion Construction – Filled with high-quality foam sponge and synthetic fiber, the cushions provide consistent comfort and resilience.

Reinforced Seating Base – A serpentine spring system under the seat ensures excellent bounce, preventing sagging even with frequent use.

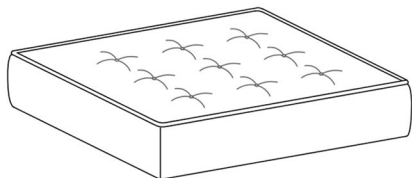
Modular Flexibility – Designed as part of a modular collection, this armless middle seat pairs seamlessly with other matching pieces for customizable layouts.

EXPLODED VIEW



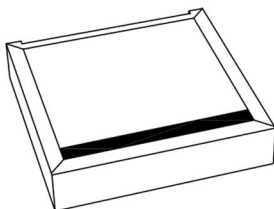
PARTS

A*1



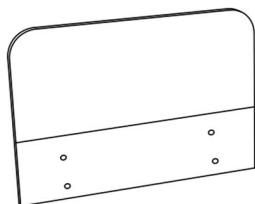
Seat cushion

B*1



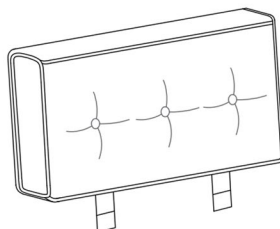
Seat frame

C*1



Backrest

D*1



Back cushion

E*4



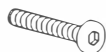
Wodden legs

HARDWARE

TOOL LIST

NOTE: Designated with (★) We provide additional spare parts in the hardware package

①*5



★ Screw

②*5



★ Flat washer

③*5



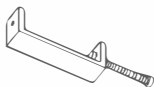
★ Spring washer

④*1



Allen key

⑤*1

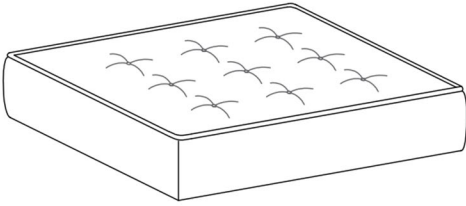
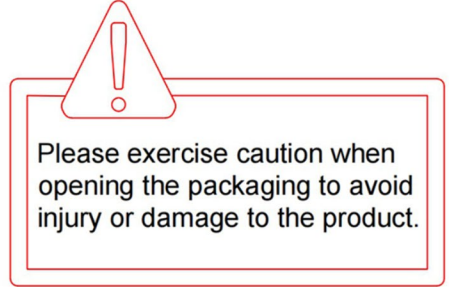
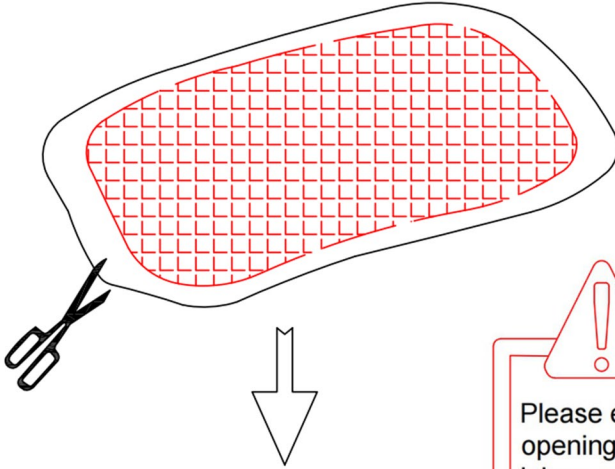


Hook

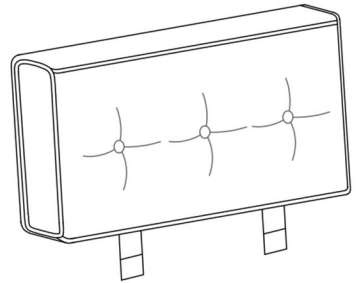
Please make sure all hardware & packing material fitting the list. Especially some small accessories may be missing during transportation. Please contact us if you have any question.

step 1 ---Cut the plastic air compression bags

Cut the plastic air compression bags, and take out cushions (A) and (D). Place them on the side for recover to their original shape, the whole process might take up to **48** hours, you may gently slap on them to speed up the process.



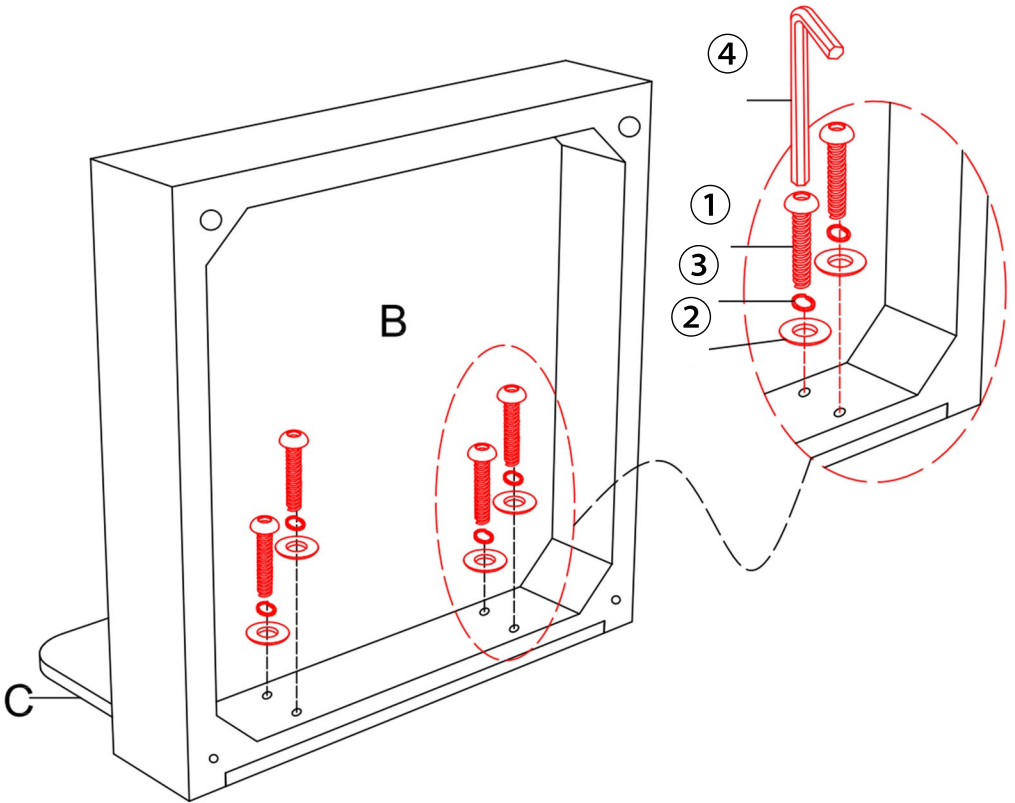
A



D

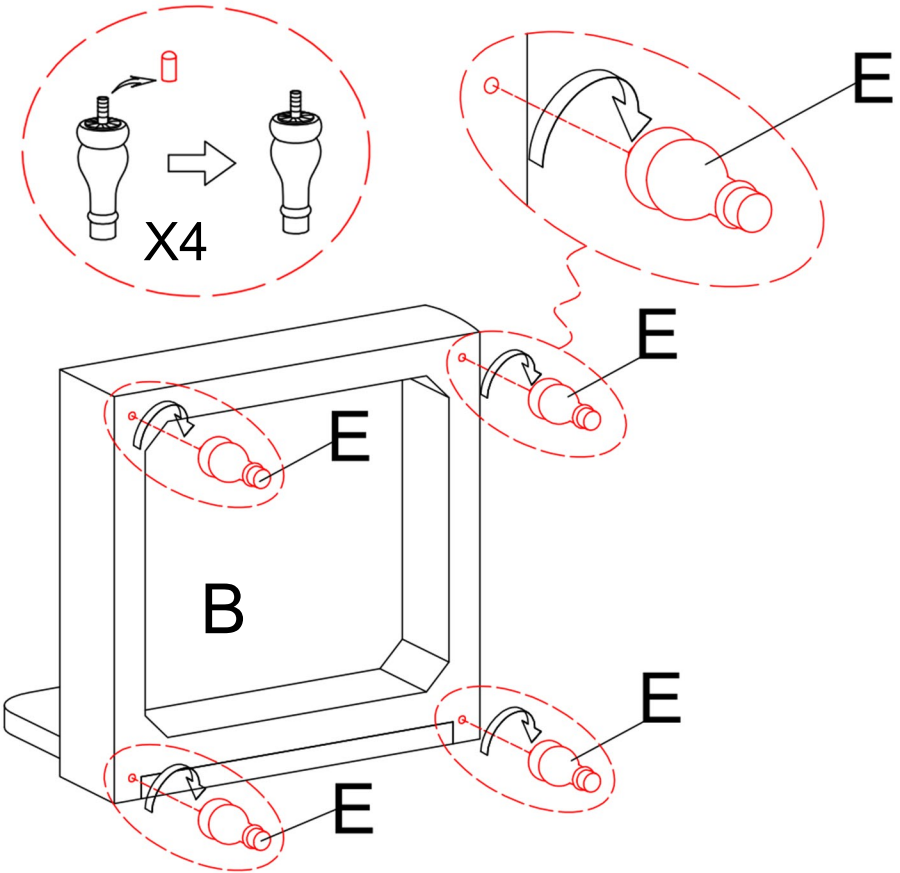
step 2 ---Install the Backrest (C)

Place the sofa Frame (B) in the indicated position. Insert four screws (1), flat washers (2), and spring washers (3) into the pre-drilled holes. Then, position the backrest/armrest (C) next to the sofa frame (B) as shown. Align all screw holes and tighten them using the provided allen wrench (4).



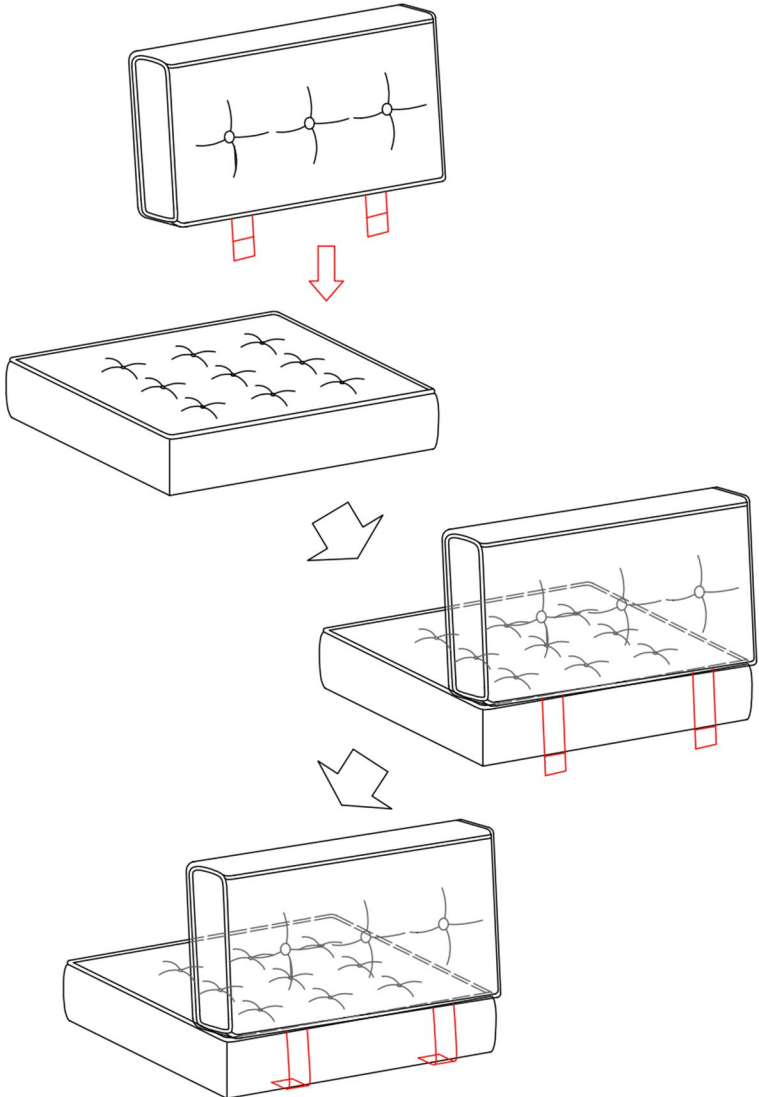
step 3 ---Install the Legs (E)

Please remember to remove the plastic caps from all sofa legs before attaching them. Flip the wooden sofa frame (B) over as shown. Gently twist each sofa leg (E) clockwise to screw it into the pre-drilled holes at all four corners of the frame.



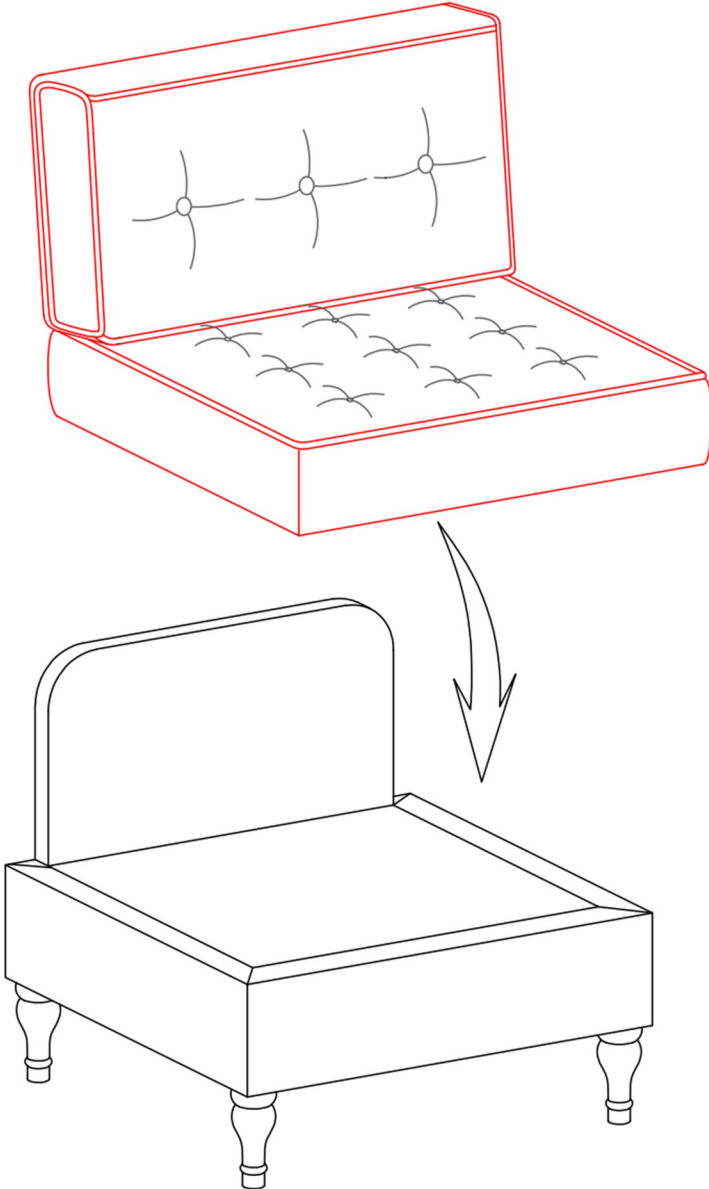
step 4 ---Attach the back cushion to the seat cushion.

Attach the Velcro bands from the back cushion to the bottom of the seat cushion. This connection will prevent the cushions from shifting during use.



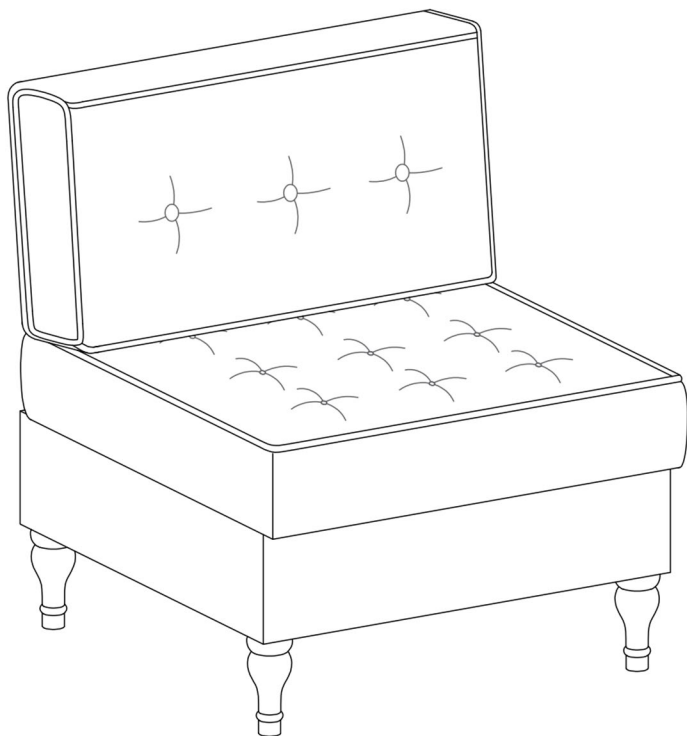
step 5 ---Place the back cushion and the seat cushion

Place the preassembly part on it.



step 6 ---Assemble complete

Congradualtions! The assembly has complete! Thank you again for choosing our product, please enjoy!



step 7

There is a metal hook inside the carton as a free part.
If you only purchased single part of the sofa, this hook will not be useful.

If you want to be combined with other sofa components (ottoman, chair, chaise etc), this hook can be used. Just use this hook to fix two parts together from the bottom to prevent displacement while using the products.

