

x2

Attention please:

**Improper use of screws may cause the product surface damage!
Please be careful when installing.**

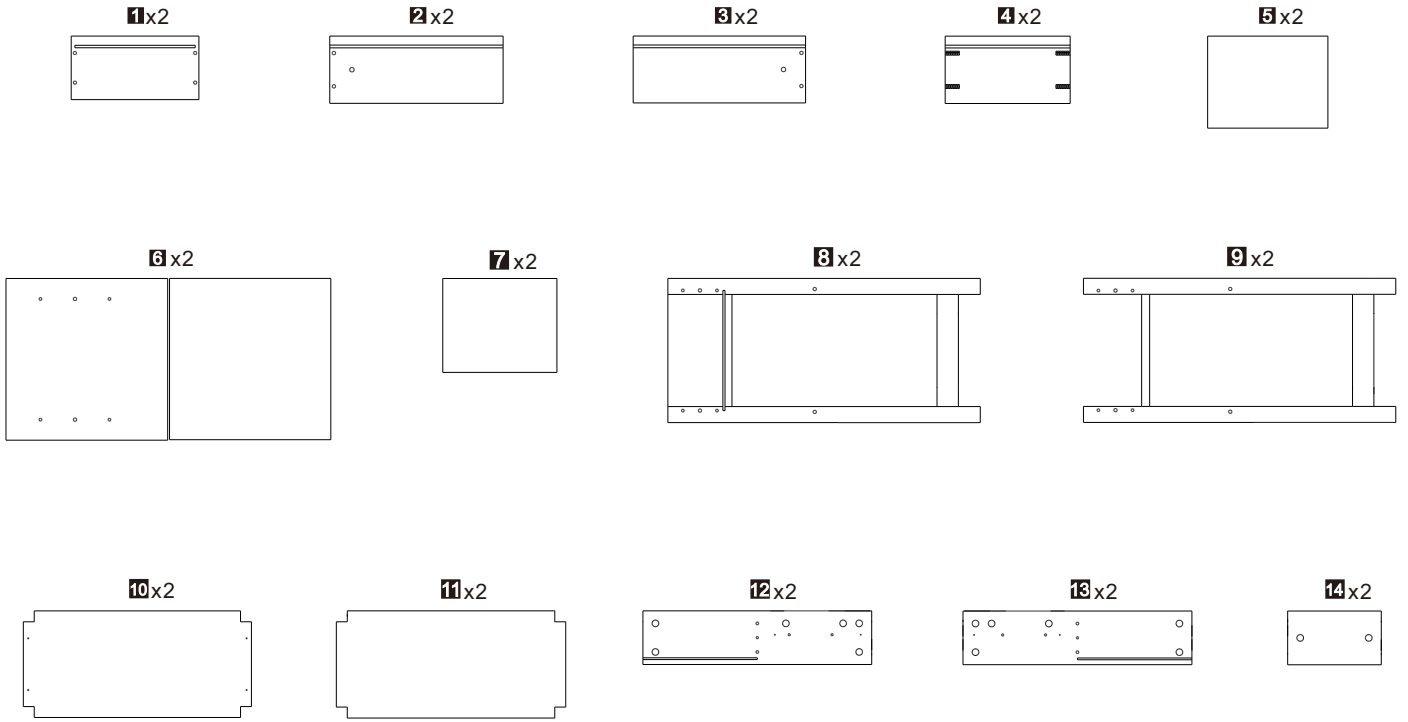
To prevent you from confusing the accessories and boards, Please do not mix the parts of different units when you buy two or more products at the same time.

This package contains two same tables. Before installation, please refer to the plates list to check the number of plates carefully. This instruction is a single product installation procedure, and the second one installation steps are exactly the same.

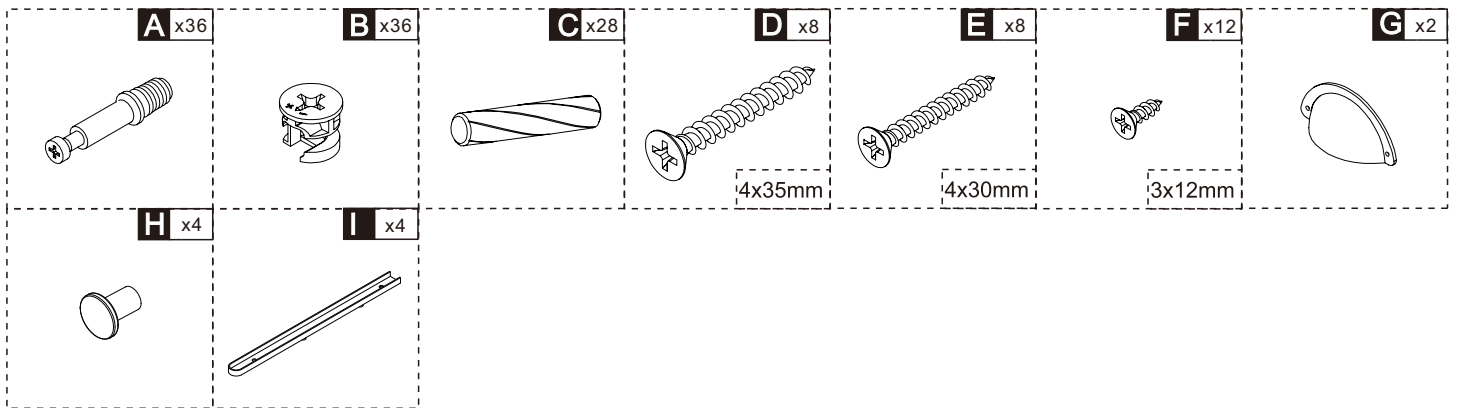
READ AND SAVE THIS INSTRUCTIONS FOR FUTURE USE

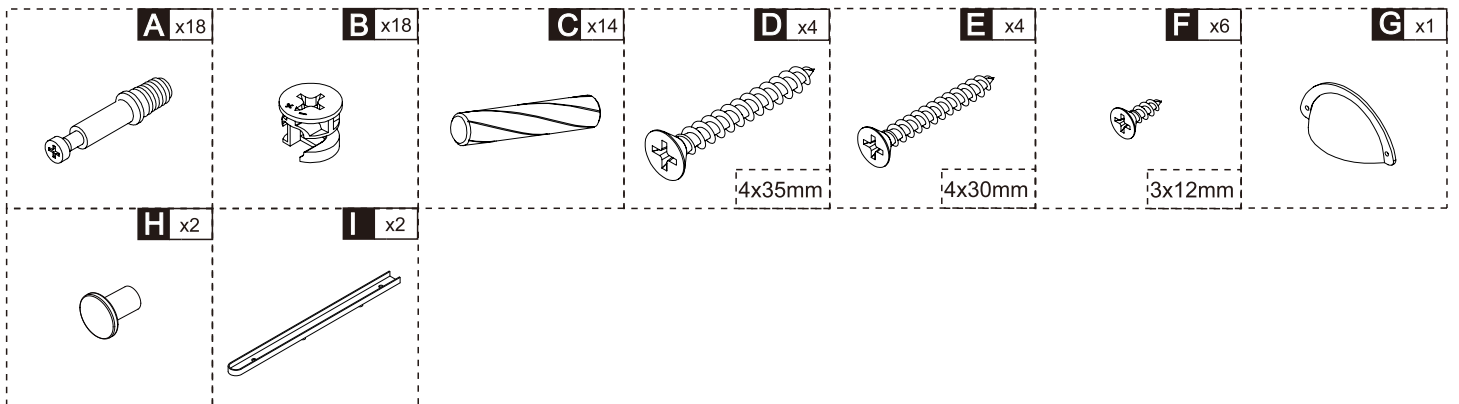
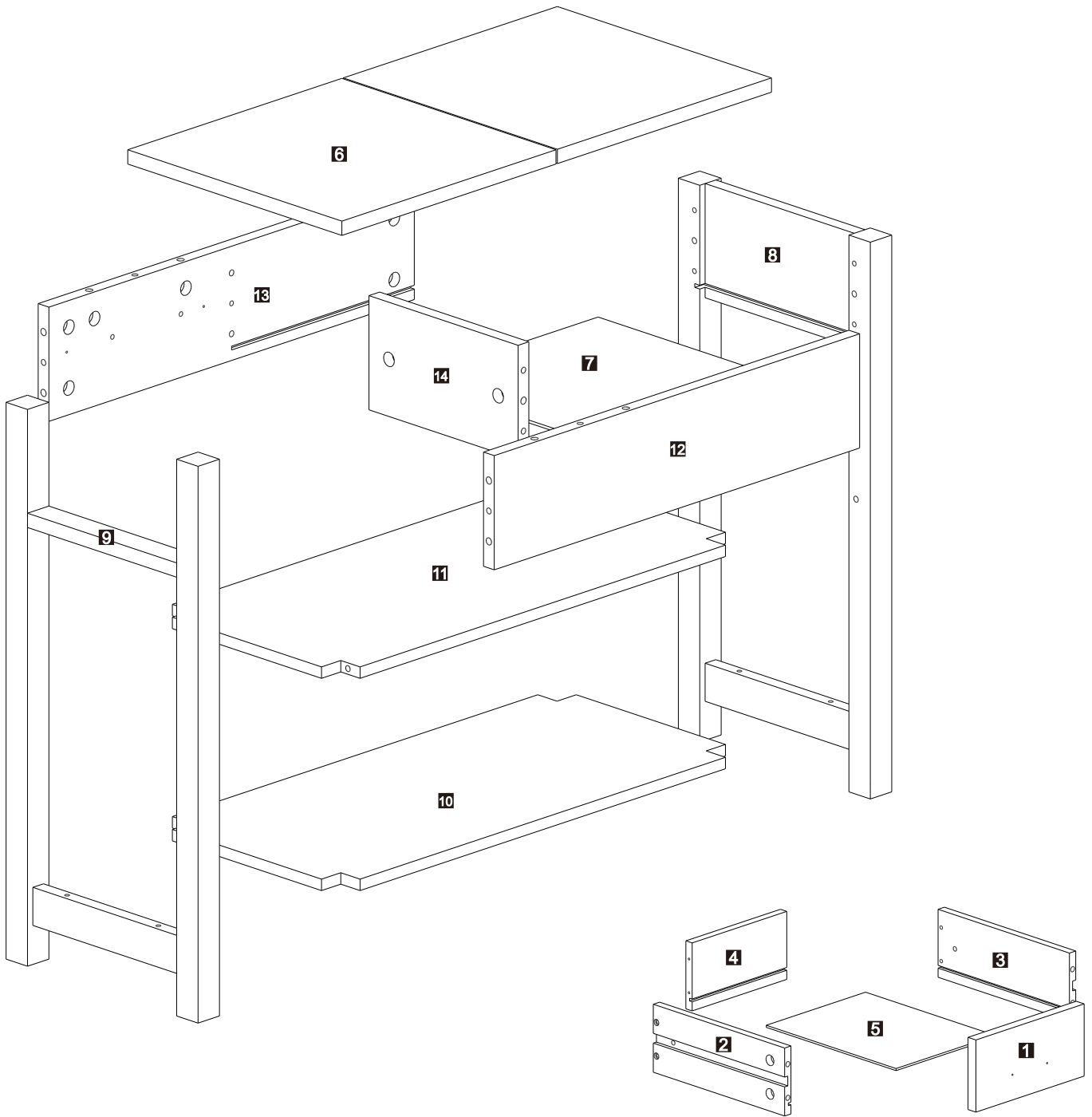
ASSEMBLY & INSTRUCTION MANUAL

板件总数量

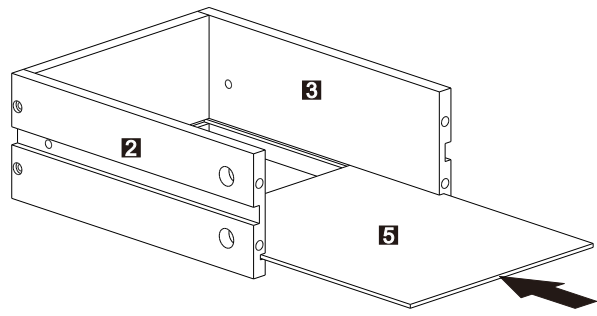
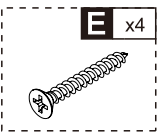
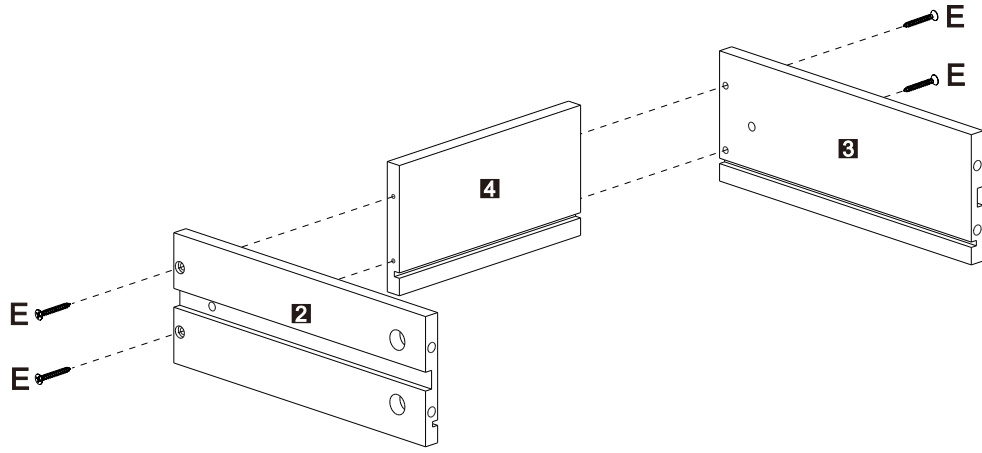


五金总数量

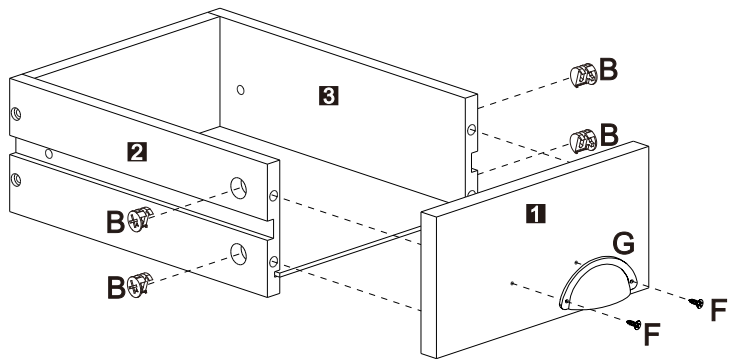
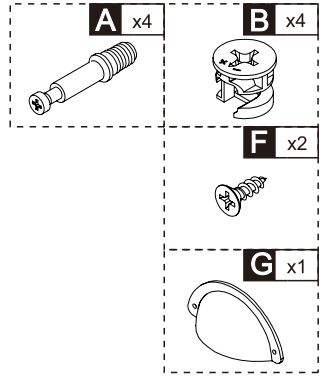
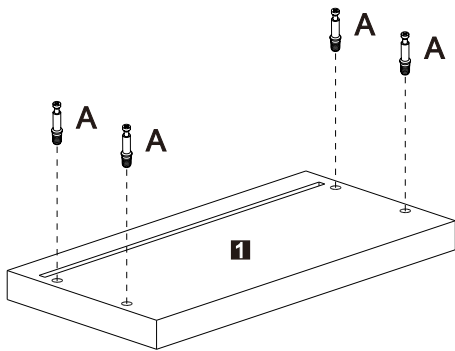




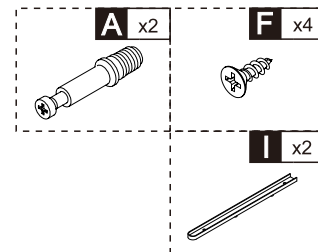
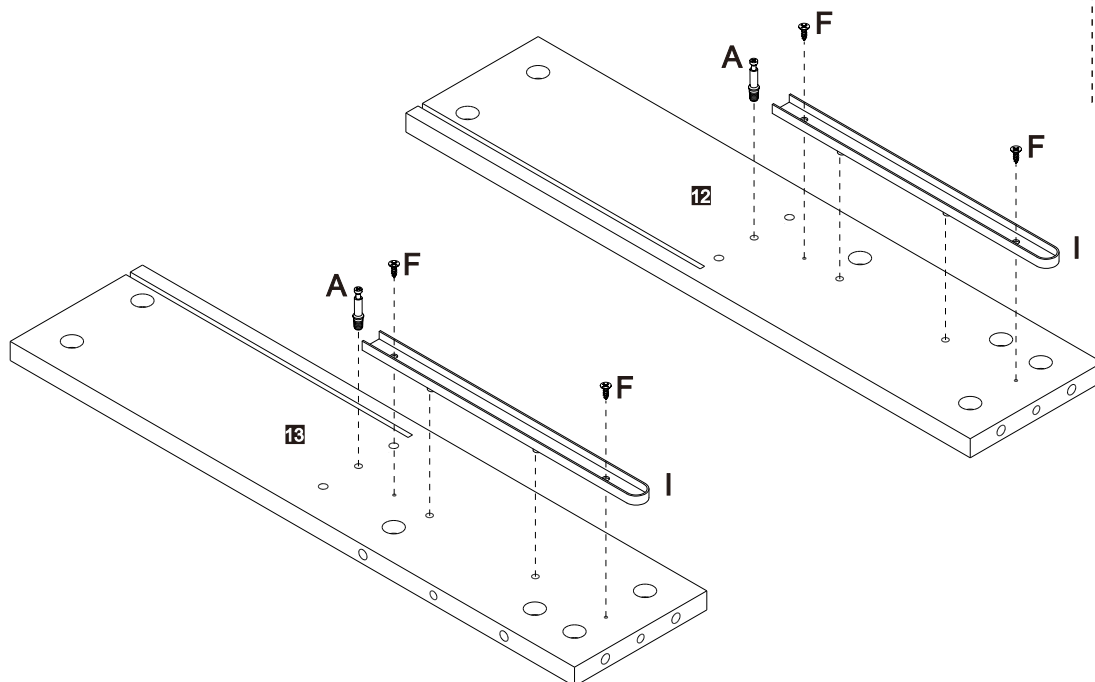
1



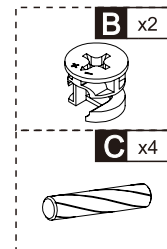
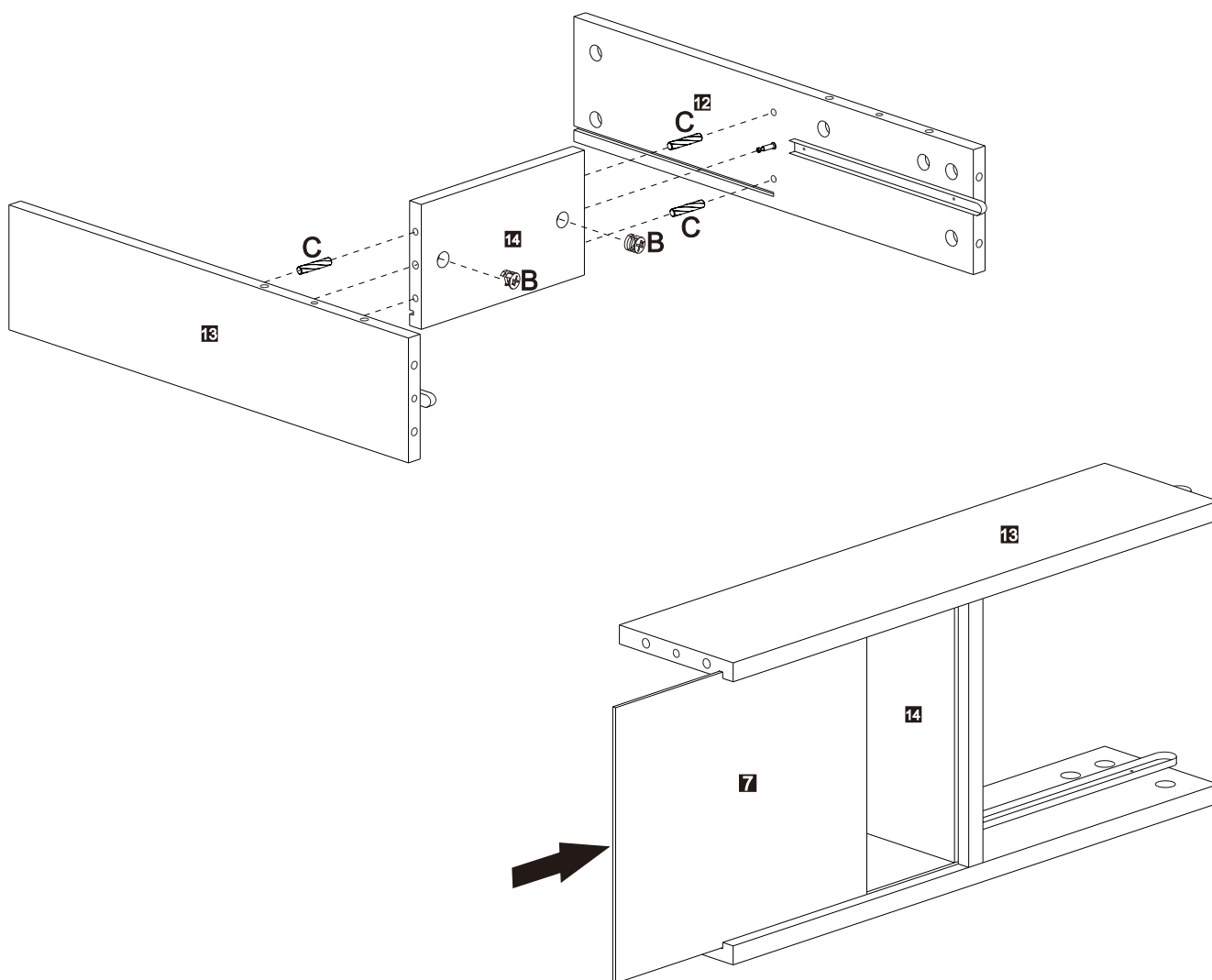
2



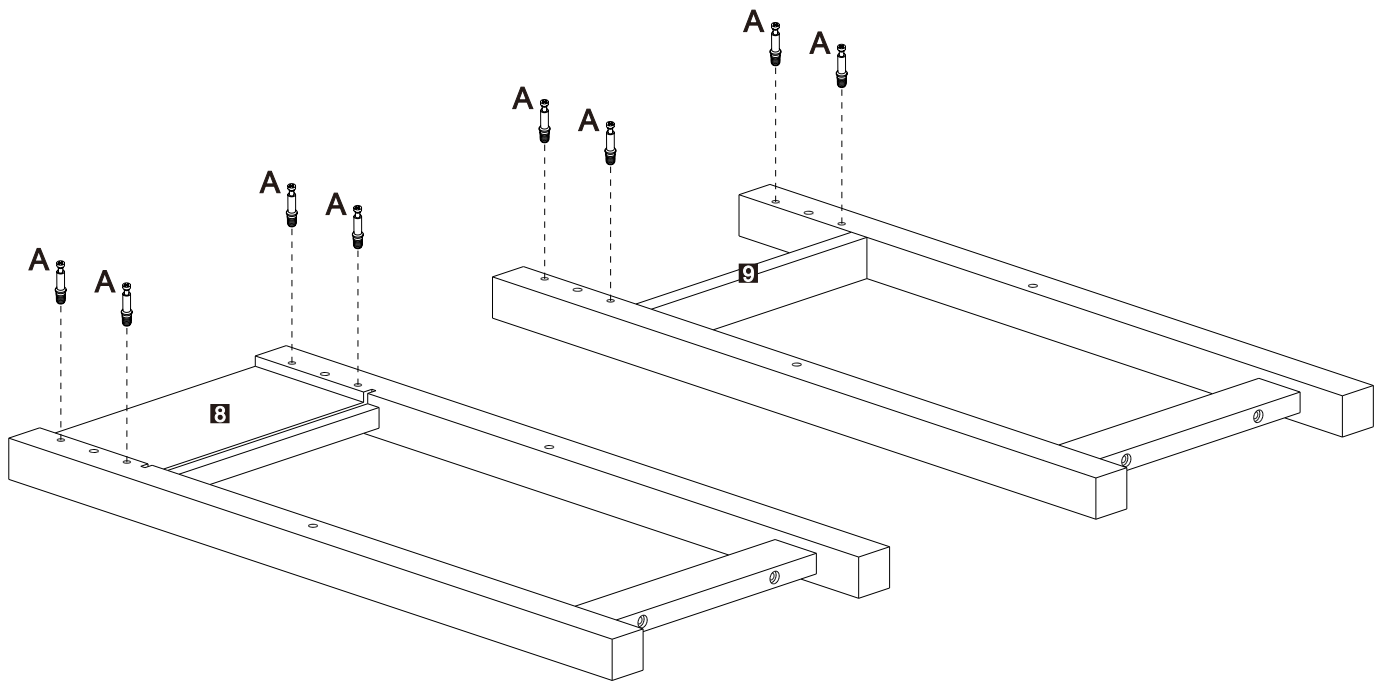
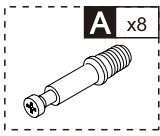
3



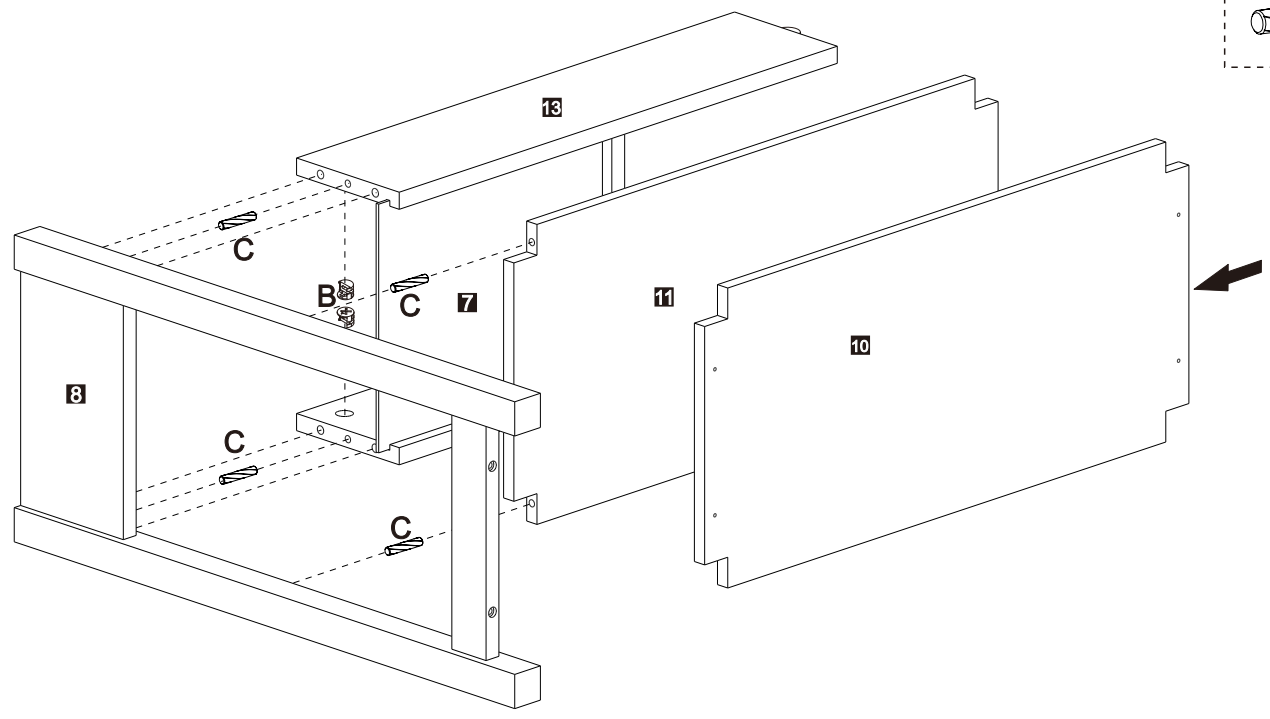
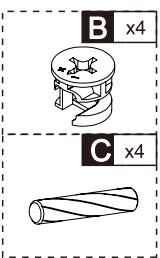
4



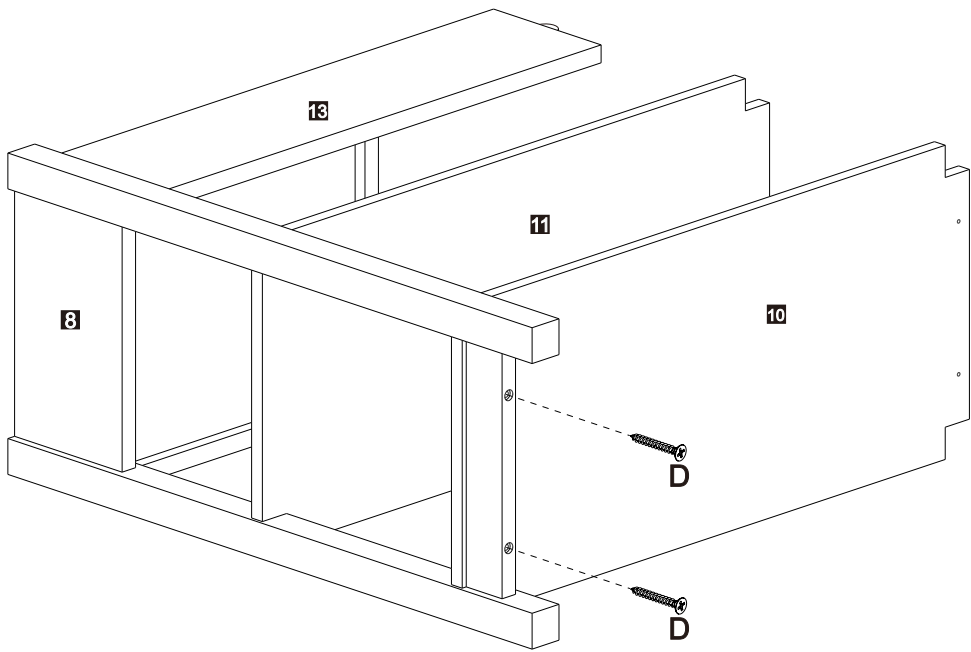
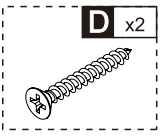
5



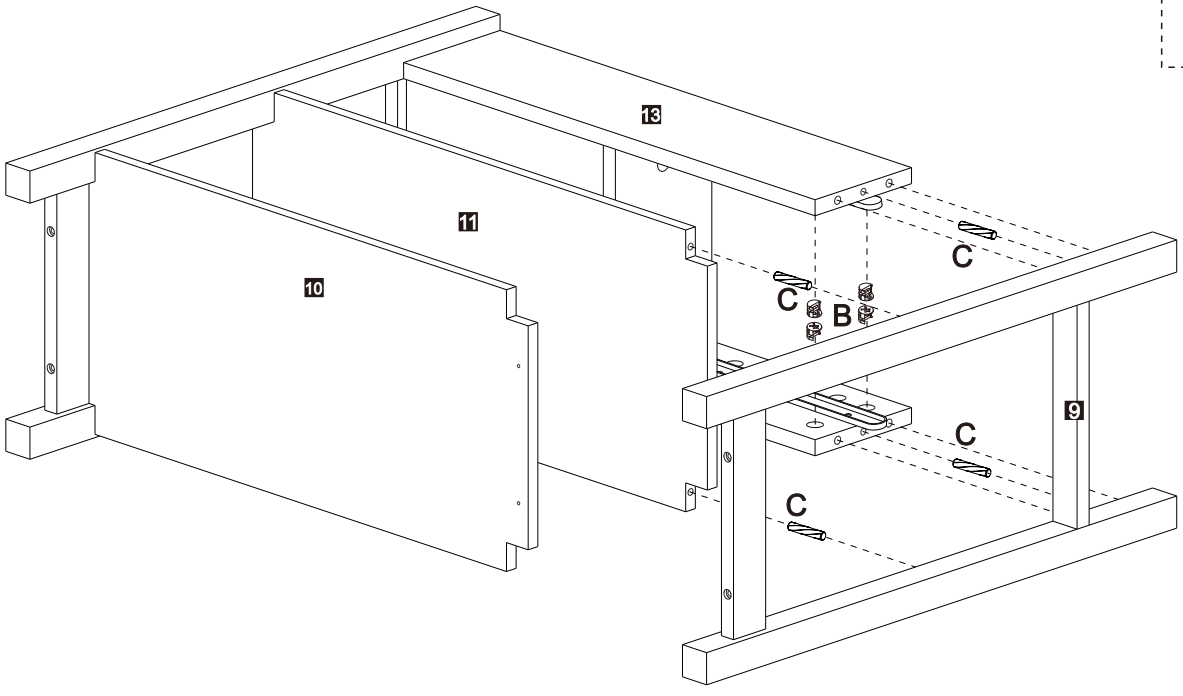
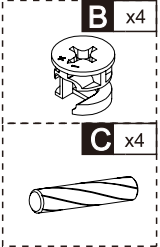
6



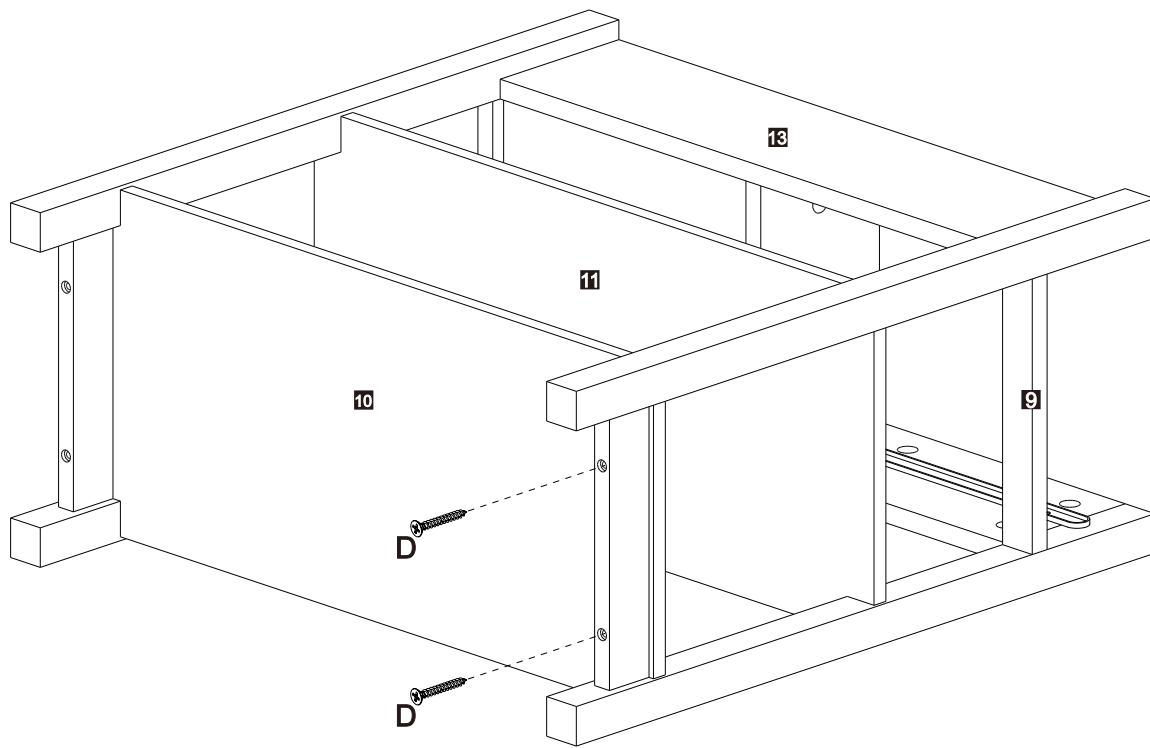
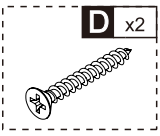
7



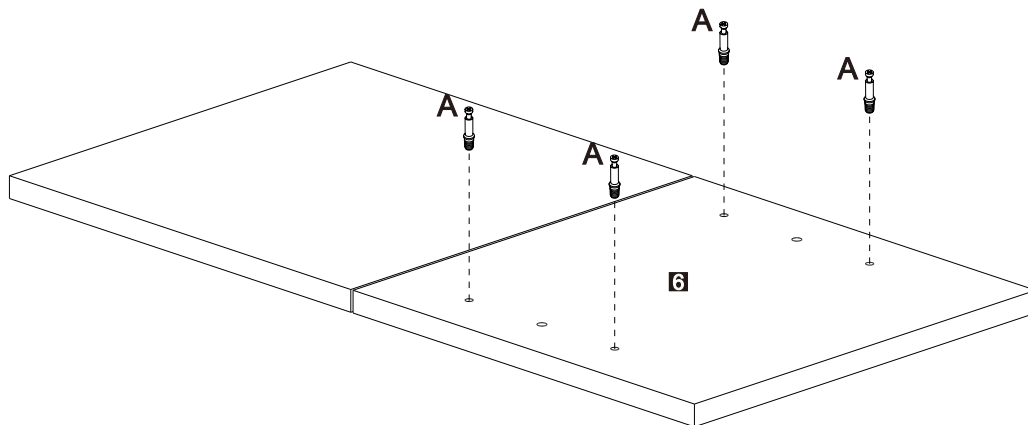
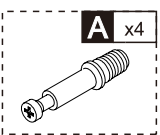
8



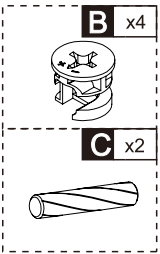
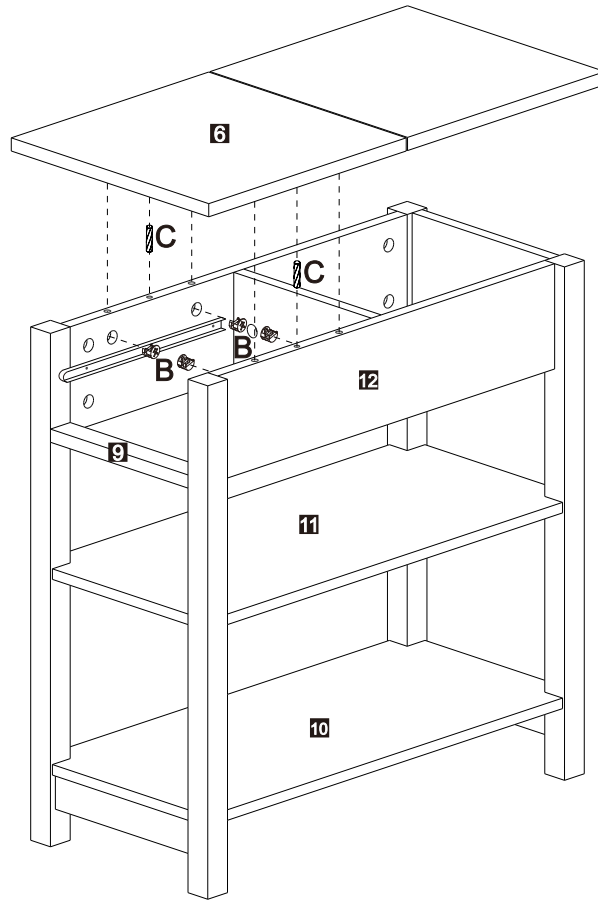
9



10



11



12

