

MICROWAVE OVEN

INSTRUCTION MANUAL

Model: FMO07ABTRDA



IMPORTANT SAFETY INSTRUCTIONS
READ CAREFULLY AND KEEP FOR
FUTURE REFERENCE
Household use only

SAVE THESE INSTRUCTIONS CAREFULLY

(rev. 6/20/25 WL)

FARBERWARE®

Farberware is a registered trademark of Farberware Licensing Company, LLC
Manufactured and sold pursuant to a license from Farberware Licensing Company,
LLC © 2025 Farberware Licensing Company, LLC. All rights reserved.

FARBERWARE®

Table of Contents

SAFETY.....	1
IMPORTANT SAFETY INSTRUCTIONS.....	4
GROUNDING	5
SPECIFICATIONS.....	6
INSTALLATION	7
CLEANING.....	8
PRODUCT INSTRUCTION	9
CONTROL PANEL.....	10
OPERATION	11
WARRANTY INFORMATION	21

IMPORTANT SAFETY INSTRUCTIONS

When using electrical appliances basic safety precautions should be followed, including the following:

WARNING - To reduce the risk of burns, electric shock, fire, injury to persons or exposure to excessive microwave energy:

1. Read all instructions before using the appliance.
2. Read and follow the specific "PRECAUTIONS TO AVOID POSSIBLE EXPOSURE TO EXCESSIVE MICROWAVE ENERGY" found on page 4.
3. This appliance must be grounded. Connect only to properly grounded outlet. See "GROUNDING INSTRUCTIONS" found on page 5.
4. Install or locate this appliance only in accordance with the provided installation instructions.
5. Some products such as whole eggs and sealed containers – for example, closed glass jars – are able to explode and should not be heated in this oven.
6. Use this appliance only for its intended use as described in the manual. Do not use corrosive chemicals or vapors in this appliance. This type of oven is specifically designed to heat, cook, or dry food. It is not designed for industrial or laboratory use.
7. **HOT CONTENTS CAN CAUSE SEVERE BURNS. DO NOT ALLOW CHILDREN TO USE THE MICROWAVE.** Use caution when removing hot items.
8. Do not operate this appliance if it has a damaged cord or plug, if it is not working properly, or if it has been damaged or dropped.
9. This appliance should be serviced only by qualified service personnel. Contact nearest authorized service facility for examination, repair, or adjustment.
10. Do not cover or block any openings on the appliance.
11. Do not store this appliance outdoors. Do not use this product near water – for example, near a kitchen sink, in a wet basement, near a swimming pool, or similar locations.
12. Do not immerse cord or plug in water.
13. Keep cord away from heated surfaces.
14. Do not let cord hang over edge of table or counter.
15. When cleaning surfaces of door and oven that comes together on closing the door, use only mild, nonabrasive soaps, or detergents applied with a sponge or soft cloth.
16. To reduce the risk of fire in the oven cavity:
 - a. Do not overcook food. Carefully attend appliance when paper, plastic, or other combustible materials are placed inside the oven to facilitate cooking.
 - b. Remove wire twist-ties from paper or plastic bags before placing bag in oven.
 - c. If materials inside the oven ignite, keep oven door closed, turn oven off, and disconnect the power cord, or shut off power at the fuse or circuit breaker panel.
 - d. Do not use the cavity for storage purposes. Do not leave paper products, cooking utensils, or food in the cavity when not in use.
17. Liquids, such as water, coffee, or tea are able to be overheated beyond the boiling point without appearing to be boiling. Visible bubbling or boiling when the container is removed from the microwave oven is not always present. **THIS COULD RESULT IN VERY HOT LIQUIDS SUDDENLY BOILING OVER WHEN THE CONTAINER IS DISTURBED OR A UTENSIL IS INSERTED INTO THE LIQUID.**

18. Notice for extension cord:

- a. A short power-supply cord is provided to reduce the risks resulting from becoming entangled in or tripping over a longer cord.
- b. Longer cord sets or extension cords are available and may be used if care is exercised in their use.
- c. If a long cord or extension cord is used:
 1. The marked electrical rating of the cord set or extension cord should be at least as great as the electrical rating of the appliance;
 2. The extension cord must be a grounding-type 3-wire cord; and
 3. The longer cord should be arranged so that it will not drape over the counter top or tabletop where it can be pulled on by children or tripped over unintentionally.


The following basic precautions should always be followed when using electrical appliance:

1. Read all instructions before using.
2. Make sure the voltage in your living area corresponding to the one shown on the rating label of the appliance. And the wall socket is properly grounded.
3. TO reduce the risk of fire in the oven cavity:
 - a. DO not overcook the food.
 - b. Remove wire twist -ties from paper or plastic bags before placing bags in the oven.
 - c. Do not heat oil or fat for deep drying as the temperature of oil cannot be controlled.
 - d. After use wipe the waveguide cover with a damp cloth, followed by dry cloth to remove any food splashes and grease. Built -up grease may overheat and begin to cause smoke or catch fire.
 - e. If materials inside the oven should smoke or ignite, keep oven door closed, turn oven off and disconnect the power supply.
 - f. Close supervision is necessary when using disposable containers made from plastic, paper or other combustible material.
4. TO reduce the risk of explosion and sudden boiling:
 - a. Do not place sealed containers in the oven. Baby bottles fitted with a screw cap or teat are considered to be sealed containers.
 - b. When boiling liquid in the oven, use the wide -mouthed container and stand about 20 seconds at the end of cooking to avoid delayed eruptive boiling of liquids.
 - c. Potatoes, sausage and chestnut should be peeled or pierced before cooking. Eggs in their shell, whole hard -boiled eggs should not be heated in microwave ovens since they may explode, even after microwave heating has ended.
 - d. The cooked liquid should not be removed out immediately. Several moments should be waited before removing. In order to avoid possible hazards caused by delayed eruptive boiling of liquids.
 - e. The contents of feeding bottles and baby food jars are to be stirred or shaken and the temperature is to be checked before consumption, in order to avoid burns.
5. Never operate the oven further if the door or door seals is damaged or the oven is malfunctioned or supply cord is damaged. Return the appliance to the nearest authorized service center for repair and maintenance. Never try to adjust or repair the oven yourself.
6. If the supply cord is damaged, it must be replaced by the manufacturer or its service agent or a qualified technician in order to avoid a shock hazard.

FARBERWARE®

7. After cooking, the container is very hot. Using gloves to take out the food and avoid steam burns by directing steam away from the face and hands.
8. Slowly lift the furthest edge of dishes cover and microwave plastic wrap and carefully open popcorn and oven cooking bags away from the face.
9. TO prevent the turntable from breaking:
 - a. Let the turntable cool down before cleaning.
 - b. Do not place hot foods or utensils on the cold turntable.
 - c. Do not place frozen foods or utensils on the hot turntable.
10. Make sure the utensils do not touch the interior walls during cooking.
11. Failure to maintain the oven in a clean condition could lead to deterioration of the surface that could adversely affect the life of the appliance and possibly result in a hazardous situation.
12. Only use utensils that are suitable for use in microwave ovens.
13. Do not store food or any other things inside the oven.
14. Do not operate the oven without any liquid or food inside the oven. This would do damage the oven.
15. This appliance is not intended for using by young children or infirm persons without supervision.
16. When the appliance is operated in the combination mode, children should only use the oven under adult supervision due to the temperatures generated.
17. Any accessories not recommended by the manufacturer may cause injuries to persons.
18. Do not use outdoors.
19. Save these instructions.
20. **WARNING:** If the door or door seals are damaged, the oven must not be operated until it has been repaired by a competent person.
21. **WARNING:** It is hazardous for anyone other than a competent person to carry out any service or repair operation that involves the removal of a cover which gives protection against exposure to microwave energy.
22. **WARNING:** Liquids and other foods must not be heated sealed container since they are liable to explode.
23. **WARNING:** Only allow children to use the oven without supervision when adequate instructions have been given so that the child is able to use the oven in a safe way and understands the hazards of improper use.
24. Only use utensils that are suitable for use in microwave ovens.
25. When heating food in plastic or paper containers, keep an eye on the oven due to the possibility of ignition.
26. If smoke is observed, switch off or unplug the appliance and keep the door closed in order to stifle any flames.
27. Microwave heating of beverages can result in delayed eruptive boiling, therefore care must be taken when handling the container.
28. The contents of feeding bottles and baby food jars shall be stirred or shaken and the temperature checked before consumption, in order to avoid burns.
29. Eggs in their shell and whole hard-boiled eggs should not be heated in microwave ovens since they may explode, even after microwave heating has ended.
30. The oven should be cleaned regularly and any food deposits removed.

31. Failure to maintain the oven in a clean condition could lead to deterioration of the surface that could adversely affect the life of the appliance and possibly result in a hazardous situation.
32. During use the appliance becomes hot. Care should be taken to avoid touching heating elements inside the oven.
33. **WARNING:** Accessible parts may become hot during use. Young children should be kept away.
34. Do not use harsh abrasive cleaners or sharp metal scrapers to clean the oven door glass since they can scratch the surface, which may result in shattering of the glass.
35. This appliance is not intended for use by persons (including children) with reduced physical, sensory or mental capabilities, or lack of experience and knowledge, unless they have been given supervision or instruction concerning use of the appliance by a person responsible for their safety.
36. Children should be supervised to ensure that they do not play with the appliance.
37. The appliances are not intended to be operated by means of an external timer or separate remote -control system.
38. The temperature of accessible surfaces may be high when the appliance is operating.

 **CAUTION - HOT SURFACE**

39. This device complies with Part 18 of the FCC Rules.

PRECAUTIONS TO AVOID POSSIBLE EXPOSURE TO EXCESSIVE MICROWAVE ENERGY

- a. Do not attempt to operate this oven with the door open since open-door operation can result in harmful exposure to microwave energy. It is important not to defeat or tamper with the safety interlocks.
- b. Do not place any object between the oven front face and the door or allow soil or cleaner residue to accumulate on sealing surfaces.
- c. Do not operate the oven if it is damaged. It is particularly important that the oven door close properly and that there is no damage to the: (1) door (bent), (2) hinges and latches (broken or loosened), (3) door seals and sealing surfaces.
- d. The oven should not be adjusted or repaired by anyone except properly qualified service personnel.
 1. As with any appliance, close supervision is necessary when used by children.
 2. If materials inside the oven should ignite, keep oven door closed, turn oven off, and disconnect the power cord, or shut off power at the fuse or circuit breaker panel.
 3. Information as to where qualified service may be obtained.

PRECAUTIONS TO BE OBSERVED BEFORE AND DURING SERVICING TO AVOID POSSIBLE EXPOSURE TO EXCESSIVE MICROWAVE ENERGY

- a. Do not operate or allow the oven to be operated with the door open.
- b. Make the following safety checks on all ovens to be serviced before activating the magnetron or other microwave source, and make repairs as necessary: (1) interlock operation, (2) proper door closing, (3) seal and sealing surfaces (arcing, wear, and other damage), (4) damage to or loosening of hinges and latches, (5) evidence of dropping or abuse.

FARBERWARE®

- c. Any defective or misadjusted components in the interlock, monitor, door seal, and microwave generation and transmission systems shall be repaired, replaced, or adjusted by procedures described in this manual before the oven is released to the owner.
- d. A microwave leakage check to verify compliance with the Federal Performance Standard should be performed on each oven prior to release to the owner.
- e. A microwave leakage check to verify compliance with the Federal Performance Standard should be performed on each oven prior to release to the owner.

Switch and Fuse replacement Marking

WARNING - For continued protection against excessive radiation emission, replace only with

1. Primary Switch : Type Nos.Type Nos.V-J
2. Secondary Switch : Type Nos. Type Nos.V-J
3. Monitor Switch : Type Nos. Type Nos.V-J
4. Fuses : UL listed or recognized type fuse rated 15 A.

GROUNDING INSTRUCTIONS

This appliance must be grounded. In the event of an electrical short circuit, grounding reduces the risk of electric shock by providing an escape wire for the electric current. This appliance is equipped with a cord having a grounding wire with a grounding plug. The plug must be plugged into an outlet that is properly installed and grounded.

WARNING – Improper use of the grounding can result in a risk of electric shock. Consult a qualified electrician or serviceman if the grounding instructions are not completely understood, or if doubt exists as to whether the appliance is properly grounded, and either:

1. If it is necessary to use an extension cord, use only a 3-wire extension cord that has a 3-blade grounding plug, and a 3-slot receptacle that will accept the plug on the appliance. The marked rating of the extension cord shall be equal to or greater than the electrical rating of the appliance, or
2. Do not use an extension cord. If the power supply cord is too short, have a qualified electrician or serviceman install an outlet near the appliance.

GROUNDING INSTRUCTIONS

This appliance must be connected to a grounded, metallic, permanent wiring system, or an equipment grounding conductor should be run with the circuit conductors and connected to the equipment grounding terminal or lead on the appliance.

SPECIFICATIONS

PRECAUTIONS TO AVOID POSSIBLE EXPOSURE TO EXCESSIVE MICROWAVE ENERGY

- a. Do not attempt to operate this oven with the door open since open-door operation can result in harmful exposure to microwave energy. It is important not to defeat or tamper with the safety interlocks.
- b. Do not place any object between the oven front face and the door or allows soil or cleaner residue to accumulate on sealing surfaces.
- c. Do not operate the oven if it is damaged. It is particularly important that the oven door close properly and that there is no damage to the:
 1. DOOR (bent)
 2. HINGEST AND LATCHES (broken or loosened)
 3. DOOR SEALS AND SEALING SURFACES
- d. The oven should not be adjusted or repaired by anyone except properly qualified service personnel.

Model	FMO07ABTRDA
Rated Voltage:	120V~60Hz
Rated Input Power(Microwave):	700W
Rated Output Power(Microwave):	1000W
Oven Capacity:	0.7cubic feet
Turntable Diameter:	9.65inch
External Dimensions	W17.52*D12.81*H9.53inch
Net Weight	21.83lbs



WARNING:

This product can expose you to chemicals including Phthalates or other chemicals which are known to the State of California to cause cancer, birth defects and other reproductive harm.

For more information, visit www.P65Warnings.ca.gov

INSTALLATION

1. Take out all the packing. If there is a safe film over the oven, tear it off before Use. Check carefully for damage. If any, immediately notify dealer or send to the manufacturer's service center.
2. Microwave ovens must be placed under dry and non-corrosiveness environments, kept away from heat and humidity, such as gas burner or water tank.
3. To ensure sufficient ventilation, the distance of the back of microwave to the wall should be at least 10cm, the side to the wall should be at least 5cm, the free distance above the top surface at least 20cm. The distance of the microwave to the ground should be at least 916mm.
4. The position of the oven shall be such that it is far from the TV, Radio or antenna as picture disturbance, or noise may occur.
5. The appliance must be positioned so that the plug is accessible, and must ensure a good grounding in case leakage, ground loop can be formed to avoid electric shock.
6. The microwave oven must be operated with the door closed.
7. The microwave oven shall not be placed in a cabinet.
8. The back of the oven must be placed against a wall.
9. As there is manufacturing residue or oil remained on the oven cavity or heat element, it usually would smell the odor, even a slight smoke, It is normal case and would not occur after several times use, keep the door or window open to ensure good ventilation. So it is strongly recommended to place a cup of water in the turntable, setting at high power and operate for several times.

CLEANING MICROWAVE OVEN CARE



CAUTION

The oven should be cleaned regularly and any food deposits removed.



WARNING

1. It is hazardous for anyone other than a competent person to carry out any service or repair operation that involves the removal of a cover which gives protection against exposure to microwave energy.
2. Remove the power cord from the wall outlet before cleaning.
3. Failure to maintain the oven in a clean condition could lead to deterioration of the surface that could adversely affect the life of the appliance and possibly result in a hazardous situation.
4. The oven should be cleaned regularly and any food deposits removed.
5. Details for cleaning door seals, cavities and adjacent parts.
6. Never use hard detergent, gasoline, abrasive powder or metal brush to clean any part of the appliance.
7. Do not remove the waveguide cover.
8. When the microwave oven has been used for a long time, there may be some strange odors exist in oven, following 3 methods can get rid of them:
 - a. Place several lemon slices in a cup, then heat with high power for 2-3 min.
 - b. Place a cup of red tea in oven, then heat with high power.
 - c. Put some orange peel into oven, and then heat them with high power for 1 minute.

TIPS FOR CLEANING

Exterior:

Wipe the enclosure with a dampened soft cloth

Door:

Using a dampened soft cloth, wipe clean the door and window

Wipe the door seals and adjacent parts to remove any spill or spatter

Wipe the control panel with a slightly dampened soft cloth

Interior walls:

Wipe clean the interior surfaces with a dampened soft cloth

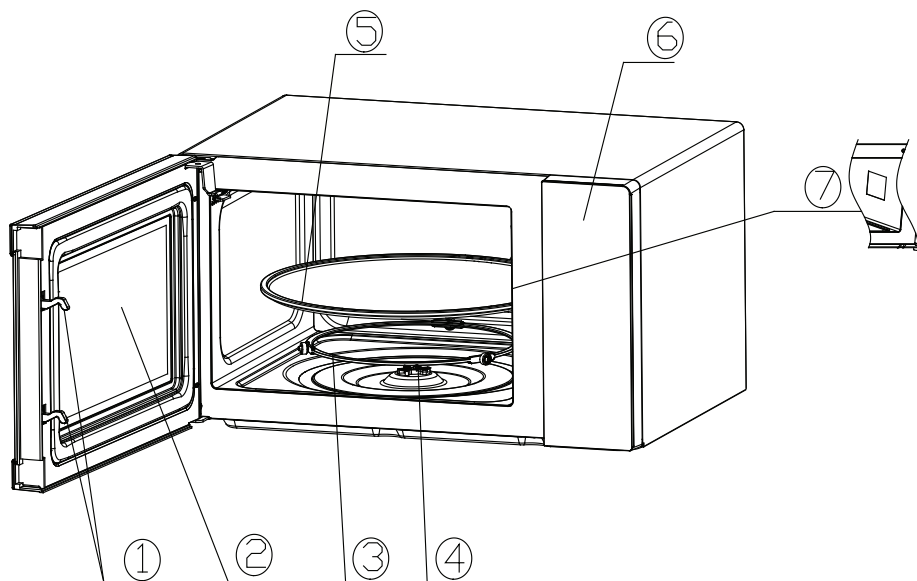
Wipe clean the waveguide cover to remove any food splashed

Turntable / Rotation ring / Rotation axis:

Wash with mild soap water

Rinse with clean water and allow drying thoroughly

PRODUCT INSTRUCTION



1. Door lock

Microwave oven door must be properly closed in order for it to operate

2. Viewing window

Allow user to see the cooking status

3. Rotating ring

The glass turntable sits on its wheels; it supports the turntable and helps it to balance when rotating

4. Rotating axis

The glass turntable sits on the axis; the motor underneath it drives the turntable to rotate

5. Turntable

The food sits on the turntable, its rotation during operation helps to cook food evenly

⚠ CAUTION

- Place the rotating ring first
- Fit the turntable onto the rotating axis and make sure that it is geared in properly

6. Control panel

See below in details (the control panel is subject to change without prior notice)

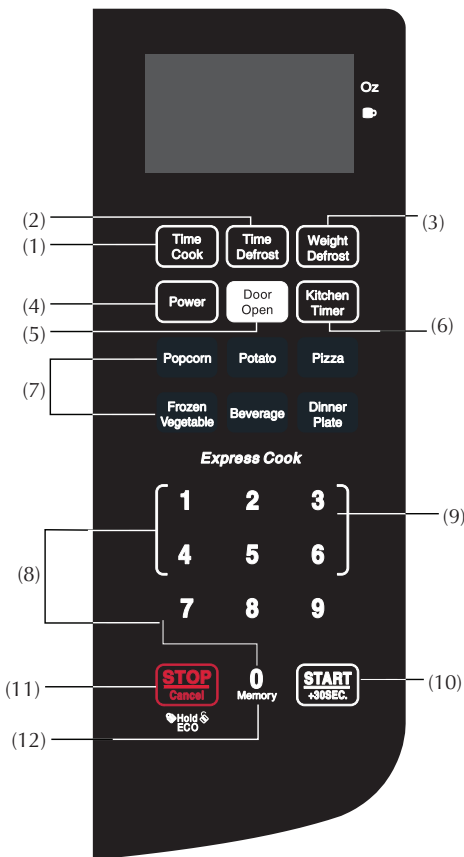
7. Waveguide cover

It is inside the microwave oven, next to the wall of control panel.

⚠ WARNING

Never remove the waveguide cover

CONTROL PANEL



- (1) Time Cook
- (2) Time Defrost
- (3) Weight Defrost
- (4) Power (10 power levels available)
- (5) Door Open
- (6) Timer/Clock
- (7) Auto Cook Menu (Popcorn, Potato, Pizza, Frozen Vegetable, Beverage, Dinner Plate)
- (8) Number Pad (0-9)
- (9) Express Cook (Number Pad 1-6)
- (10) START/+30 SEC.(egin cooking time or add time to cooking)
- (11) Stop/CANCEL (efore cooking starts, press to clear all previous settings; during cooking, press once to stop oven; press twice to stop oven and clear all settings).
- (12) Memory function

FARBERWARE®

1. BEFORE COOKING

The display lights up when plugged in power supply, then enter the standby state and display shows 1:00.

2. MICROWAVE FUNCTION

This mode is to first set the cooking time and then select the microwave power.

First, press the "Time Cook" button, and the screen will display 00:00. Press the numbers 0-9 to set the cooking time, with a maximum setting of 99:99.

Then press the "Power" button, and the screen will display PL10. Select the microwave power by pressing the numbers 0-9, where different numbers represent different powers. For example, 0 represents PL10,, and 5 represents PL5

Finally, press the "START+30SEC" button to start working. An buzzing sound to notify completion of the operation.

If there is no need to set the power, the microwave can be started directly after setting, and the default microwave power of the microwave oven is PL10.

NUMBER	Display	POWER
0	PL10	100%
9	PL9	90%
8	PL8	80%
7	PL7	70%
6	PL6	60%
5	PL5	50%
4	PL4	40%
3	PL3	30%
2	PL2	20%
1	PL1	10%

HIGH	100% and 90% power output	(Applicable for quick and thorough cooking)
M.High	80% and 70% power output	(Applicable for medium express cooking)
Med	60% and 50% power output	(Applicable for steaming food)
M.Low	40% and 30% power output	(Applicable for defrosting food)
LOW	20% and 10% power output	(Applicable for keeping warm)

⚠ CAUTION

- a. The max time which can be set is 99 minutes and 99 seconds.
- b. Never use the grill rack during microwave cooking.
- c. Never operate the oven empty.
- d. At the maximum microwave power, the oven will automatically lower the power after a certain time of cooking to lengthen the service life.
- e. If you turn the food during operation, press the START/+30SEC button once and the preset cooking procedure will continue.
- f. If you intend to remove the food before the preset time, you must press Stop button once to clear the preset procedure to avoid unintended operation of next time use.

3. WEIGHT DEFROST

1. Press the “Weight Defrost” button, and the display screen will show “dEF1”.
2. Enter the weight of the food according to the numbers 0-9, with a weight range of 4-100 Oz;
3. Press the “START” button to start working; An buzzing sound to notify completion of the operation.

⚠ CAUTION

- a. It is necessary to turn over the food during operation to obtain uniform effect.
- b. Usually defrosting will need longer time than that of cooking the food.
- c. If the food can be cut by knife, the defrosting process can be considered completed.
- d. Microwave penetrates around 4cm into most food
- e. Defrosted food should be consumed as soon as possible, it is not advised to put back to fridge and freeze again.

4. TIME DEFROST

1. Press the “Time Defrost” button, and the display screen will show “dEF2”.
2. Enter the thawing time from 0 to 9, and the maximum time that can be entered is 99:99;
3. Press the Power button, and the display screen will show PL3. The default firepower is 30%. At this point, you can press the number keys 0-9 to select the defrost firepower;
4. Press the “START” button to start working; An buzzing sound to notify completion of the operation.

⚠ CAUTION

- a. It is necessary to turn over the food during operation to obtain uniform effect.
- b. Usually defrosting will need longer time than that of cooking the food.
- c. If the food can be cut by knife, the defrosting process can be considered completed.
- d. Microwave penetrates around 4cm into most food
- e. Defrosted food should be consumed as soon as possible, it is not advised to put back to fridge and freeze again.

5. AUTO COOKING

There are 6 automatic menus “Popcorn, Potato, Pizza, Frozen Vegetable, Beverage and Dinner Plate” respectively. Select the desired auto menu and press the corresponding menu button which to be selected continuously to select the desired food portion size, and the display shows the corresponding portion size. After selecting the cooking portion size, press “START/+30SEC” button to start work. An buzzing sound to notify completion of the operation.

Kind	Method
Popcorn	The optional weight is 1.75oz, 3oz and 3.5oz.
Potato	The optional weights are 1,2,3. Each one about 8oz.
Pizza	The optional weights are 7oz and 14oz.
Frozen vegetable	The optional weights are 7oz, 14oz and 21oz.
Beverage	The optional portion sizes---1 cup, 2 cups or 3 cups, each one about 120ml.
Dinner Plate	The optional weights are 9oz, 12oz and 18oz.

⚠ CAUTION

- The temperature of food before cooking would be 68-77°F. Higher or lower temperature of the food before cooking would require increase or decrease of cooking time.
- The temperature, weight and shape of food will largely influence the cooking effect. If any deviation has been found to the factor noted on above menu, you can adjust the cooking time for best result.

6. TIMER

In standby mode, press this button to enter the setting interface, and the countdown function icon and “0:00” will be displayed on the display screen. Press the 0 ~ 9 number buttons to input the time. The maximum time that can be input is 99:99. After setting the time, press the “START/+30SEC” button to begins the countdown. An buzzing sound to notify completion of the countdown.

7. EXPRESS COOK

7.1 In standby mode, you can directly press the 1~6 number buttons, and the working time is 1~6 minutes, that is, press 1 to work for 1 minute, press 2 to work for 2 minutes, and so on. After select the time, press “START/+30SEC” button to start the microwave and start working, an buzzing sound to notify completion of the operation.

7.2 In standby mode, after putting food in and closing the door, press the “START/+30SEC” button to start the microwave quickly. The default working time is 30 seconds. In the working process, press the “START/+30SEC” button once for 30 seconds. An buzzing sound to notify completion of the operation.

8. CLOCK

The clock function and “Time” button are combined in one button. The clock is 12-hour system. The operation of the clock function is as follows:

In standby mode, press “Time/Clock” button twice to enter the clock setting interface, press the 0 ~ 9 number buttons to input the clock time directly and press the “START/+30SEC” button to confirm the specified time and exit the clock setting mode.

9. STOP/Cancel

In the process of cooking settings, can press “STOP/Cancel” button to cancel the settings and return to standby state. In the process of microwave oven working, can press “STOP/Cancel” button to pause. In the paused state, can press “STOP/Cancel” button again to cancel the function and return to standby state.

10. START/+30SEC

After setting the cooking time or food weight, press “START/+30SEC” button to start microwave oven immediately. In working state, can press “START/+30SEC” button to increase time, press one time to increase 30 seconds, but the menu mode and weight defrosting mode cannot adjust time. In paused state, can press “START/+30SEC” button to continue the microwave oven before cooking mode.

11. CHILD LOCK FUNCTION

Use this feature to lock the control panel when you are cleaning or so that children cannot use the oven unsupervised. All the buttons are rendered inoperable in this mode.

1. Set lock: In standby mode, press and hold down the “ STOP/Cancel “ button for more than 3 seconds, the child lock function is activated, and all buttons of the microwave oven cannot be operated.
2. Cancel lock: In the child lock state, press and hold down the “ STOP/Cancel “ button for more than 3 seconds to cancel the child lock function.

12. ECO

In standby mode, press the button to enter ECO mode, and the display screen will shut down. In ECO mode, press any button to exit ECO mode and the display screen will light up.

13. MEMORY FUNCTION

This function can help users pre-set and memorize commonly used microwave cooking functions, with a total of 3 settings available.

Set Memory function:

For example, to store in Memory 2, microwave cook time for 3 minutes, PL5 power, the steps are as follows:

1. In standby mode, press the “0/Memory” button twice, and the display screen will show “2”;
 2. Press “Time Cook” button once, then press the numbers 3, 0, and 0 in sequence;
 3. Press “Power” button once, select PL5 power by pressing the number 5, and the display screen will show PL5;
 4. Press “START” button to confirm and complete the memory. At this time, 3:00, PL5 Already stored in serial number 2;
- Enable Memory function:

1. The successfully set Memory function will not fail due to microwave power failure
2. MICROWAVE COOK and MULTI-SEQUENCE COOKING can use the Memory function

14. MULTI-SEQUENCE COOKING

To obtain best cooking result, some recipes call for different cook mode and time. You may program your personalized menu as follow:

For example, if you need to set PL8 power for 5 minutes and add PL6 power for 10 minutes, follow the following steps:

1. Press "Time Cook" button once, then press "5", "0", "0" to set the first cooking time;
2. Press "Power" button once, then press "8" to select PL8 microwave firepower;
3. Press "Time Cook" button once, then press "1", "0", "0", "0" to set the first cooking time;
4. Press "Power" button once, then press "6" to select PL6 microwave firepower;
5. Press the "START" button once to start working;
The microwave will first run the first stage PL8 for 5 minutes, and then run the second stage PL6 for 10 minutes

15. THE OPERATION METHOD AND SETTING OF THE TWO-STEP DOOR OPENING FUNCTION

15.1 The operation method of two-step door opening

In the operating state, the first step is to the "Door Open" button to unlock the microwave oven door lock. Second, the oven door can be opened within 10 seconds. If the oven door is not opened within 10 seconds, it will be locked again.

Within 30 minutes after the end of work, the display screen shows the End status and the oven door is locked. The first step is to press "Door Open" button to unlock the microwave oven door lock; The second step is to open the oven door within 10 seconds and return the microwave to standby mode. If the furnace door is not opened within 10 seconds, it will be locked again.

When not in operating condition or after 30 minutes of work, the oven door can be opened directly.

15.2 Setting of two-step door opening function

In the standby mode of the microwave oven, press and hold down the "Door Open +7+9" buttons in order without releasing them to turn on/off this function, and the corresponding display will be "ON" or "OFF".

CAUTION

To enable this function, it is not possible to directly open the oven door during operation, and a two-step door opening operation is required.

Turn off this function, and you can directly open the oven door in any state.

After the product is powered on, it defaults to the two-step door opening function.

UTENSILS GUIDELINE

It is strongly recommended to use the containers which are suitable and safe for microwave cooking. Generally speaking, the containers which are made of heat-resistant ceramic, glass or plastic are suitable for microwave cooking. Never use the metal containers for microwave cooking and combination cooking as spark is likely to occur. You can take the reference of below table.

Material of container	Microwave	Notes
Heat-resistant ceramic	Yes	Never use the ceramics which are decorated with metal rim or glazed. Recommend using ceramic, heat-resistant glass, and plastic containers that can withstand temperatures above 248°F.
Heat-resistant plastic	Yes	Can not be used for long time microwave cooking
Heat-resistant glass	Yes	
Grill rack	No	
Plastic film	Yes	It should not be used when cooking meat or chops as the over-temperature may do damage to the film

COOKING TIPS

The following factors may affect the cooking result:

Food arrangement

Place thicker areas towards outside of dish, the thinner part towards the centre and spread it evenly. Do not overlap if possible.

Cooking time length

Start cooking with a short time setting, evaluate it after it times out and extend it according to the actual need. Over cooking may result in smoke and burns.

Cooking food evenly

Food such as chicken, hamburger or steak should be turned once during cooking.

Depending on the type of food, if applicable, stir it from outside to centre of dish once or twice during cooking

Allow standing time

After cooking times out, leave the food in the oven for an adequate length of time, this allows it to complete its cooking cycle and cooling it down in a gradual manner

Whether the food is done

Color and hardness of food help to determine if it is done, these include:

- Steam coming out from all parts of food, not just the edge
- Joints of poultry can be moved easily
- Pork or poultry shows no signs of blood
- Fish is opaque and can be sliced easily with a fork

Browning dish

When using a browning dish or self-heating container, always place a heat-resistant insulator such as a porcelain plate under it to prevent damage to the turntable and rotating ring.

Microwave safe plastic wrap

When cooking food with high fat content, do not allow the plastic wrap come into contact with food as it may melt

Microwave safe plastic cookware

Some microwave safe plastic cookware might not be suitable for cooking foods with high fat and sugar content. Also, the preheating time specified in the dish instruction manual must not be exceeded

MAINTENANCE SERVICING

Please check the following before calling for services.

1. Place one cup of water (approx.150ml) in a glass measure in the oven and close the door securely. Oven lamp should go off if the door is closed properly. Let the oven work for 1 min.
2. Does the oven lamp light?
3. Does the cooling fan work?
(Put your hand over the rear ventilation openings.)
4. Does the turntable rotate?
(The turntable can rotate clockwise or counter clockwise. This is quite normal.)
5. Is the water inside the oven hot?

If "NO" is the answer to any of the above questions, please check your wall socket and the fuse in your meter box.

If both the wall socket and the fuse are functioning properly, CONTACT YOUR NEAREST SERVICE CENTER APPROVED.

SERVICING SAFEGUARDS

WARNING

MICROWAVE RADIATION!

WARNING

It is hazardous for anyone, other than a qualified service technician, to carry out any service for repairing operation which involves removal of any cover which gives protection against exposure to microwave energy.

WARNING

The temperature of accessible surfaces may be high when the appliance is operating.

WARNING

The high voltage capacitor remains charge after disconnection; short the negative terminal of H. V capacitor to the oven chassis (use a screwdriver) to discharge before touching.

WARNING

During servicing below listed parts are liable to be removed and give access to potentials above 250V to earth.

1. Magnetron
2. High voltage transformer
3. High voltage capacitor
4. High voltage diode
5. High voltage fuse

The actual configuration in order to prevail in kind.

⚠ **WARNING**

Conditions That May Lead to Undue Microwave Exposure During Servicing:

- Improper installation or fitting of the magnetron
- Misalignment of the door interlock, hinge, or door itself
- Incorrect positioning or installation of the switch support
- Damage to the door, door seal, or microwave enclosure

⚠ **CAUTION**

1. If LED displays Err0 during working, it indicates that sensor has been short circuit and you need replace it at the nearest repaired department.
2. If LED displays Err1 during working, it indicates that sensor has been open circuit and you need replace it at the nearest repaired department.

⚠ **WARNING**

If the door or door seals are damaged, the oven must not be operated until it has been repaired by a competent person.

It is hazardous for anyone, other than a qualified service technician, to carry out any service for repairing operation which involves removal of any cover which gives protection against exposure to microwave energy.

Liquids or other foods must not be heated in sealed containers since they are liable to explode.

Only allow children to use the oven without supervision when adequate instructions have been given so that the child is able to use the oven in a safe way and understands the hazards of improper use.

Correct Disposal Of This Product



This marking indicates that this product should not be disposed with other household wastes throughout the EU. To prevent possible harm to the environment or human health from uncontrolled waste disposal, recycle it responsibly to promote the sustainable reuse of material resources. To return your used device, please use the return and collection systems or contact the retailer where the product was purchased. They can take this product for environmental safe recycling.

ONE YEAR LIMITED WARRANTY

This warranty applies to products purchased and used in the U.S and Canada.

This is the only express warranty for this product and is in lieu of any other warranty or condition.

This product is warranted to be free from defects in material and workmanship for a period of one (1) year from the date of original purchase. This warranty is valid for the original retail purchaser or gift recipient from the date of initial retail purchase and is not transferable.

Keep your original sales receipt as proof of purchase is required to make a warranty claim.

IMPORTANT: This warranty does not cover damages resulting from use not in conformity with the printed directions, accident, misuse or abuse, alternation, the affixing of any attachments not provided with the product, loss of parts, or subjecting the appliance to any but the specified voltage. (Read directions carefully.) This warranty is void if the product is used for other than single-family household use or subjected to any voltage and waveform other than as specified on the rating label (e.g., 120V ~ 60 Hz).

Englewood Marketing Group LLC excludes all claims for special, incidental, and consequential damages caused by breach of express or implied warranty. All liability is limited to the amount of the purchase price. **Every implied warranty, including any statutory warranty or condition of merchantability or fitness for a particular purpose, is disclaimed except to the extent prohibited by law, in which case such warranty or condition is limited to the duration of this written warranty.** This warranty gives you specific legal rights. You may have other legal rights that vary depending on where you live. Some states or provinces do not allow limitations on implied warranties or special, incidental, or consequential damages, so the foregoing limitations may not apply to you.

To make a warranty claim or if service is required, please call our CUSTOMER SERVICE NUMBER.

Product registration is not mandatory. Failure to complete and return the card or form does not diminish the consumer's warranty rights.

For faster service, please have the model, type, and series numbers ready for the operator to assist you.

Customer Service Number
Englewood Marketing Group LLC
In the US 844-918-0509

Email: CustomerService@emllc-USA.com