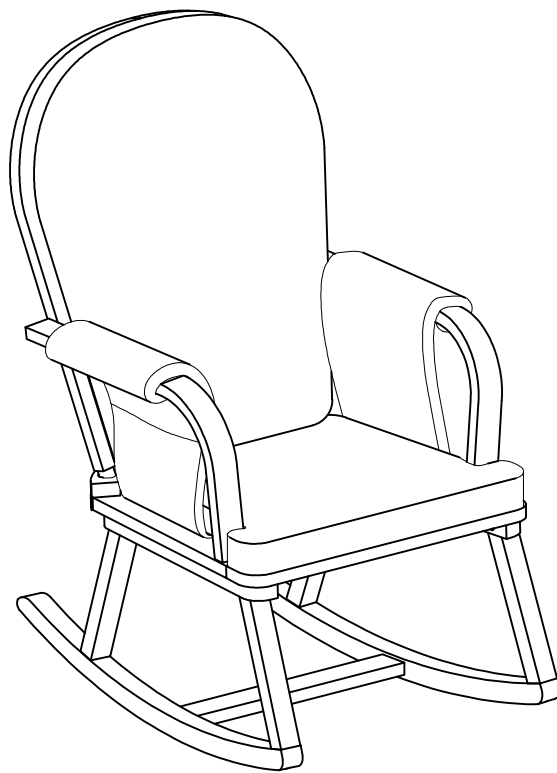


# TA05 Rocking Chair

## Assembly Instructions



---

**IMPORTANT**

RETAIN FOR FUTURE REFERENCE:

READ CAREFULLY

# Safety Warnings

Thank you for choosing our products. To ensure that your rocking chair is used in accordance with these instructions, please read them fully.

Your child's safety may be affected if you do not follow these instructions.

A child's safety is your responsibility.

Assembly should be carried out by a competent adult only.

**WARNING:** Care should be taken as the underside mechanism of this chair could present a hazard to other people when in use.

**WARNING:** If the product contains a ottoman, the ottoman is intended to be used for supporting the feet and legs only, not for sitting on.

**WARNING:** Do not sit on the edge of the seat, armrests or on the backrest as this could cause the chair to tip over.

**WARNING:** Do not leave children unattended on or beside the chair or ottoman.

Be aware of the risk of open fire and other sources of heat, such as electric bar fires, gas fires, etc. in the near vicinity of the rocking chair.

Do not use the rocking chair if any part is broken or missing. Use only spare parts approved by the manufacturer.

All assembly fittings should be tightened properly and care should be taken to ensure that no screws are loose, as a child could trap parts of the body, or clothing (e.g. ribbons, drawstrings, necklaces) this could lead to strangulation.

Wood is a natural material, the colour will darken with age.

During assembly children should be kept away from the product due to possible risk of injury.

## ROUTINE CARE & MAINTENANCE

Regularly check that all fittings and components of the cot/bed are fully tightened and in working order.

-Wipe away spills immediately to prevent staining.

-Use a cloth dampened with water and/or mild soap or a professional product to clean the fabric - always test an inconspicuous area first.

-Allow upholstery to dry and brush lightly.

-Cushions are to be dry cleaned only - do not machine wash the cushions.

-For cleaning the chair/stool frame, use only a mild detergent and warm water.

-DO NOT USE BLEACH.

-DO NOT USE any abrasive substances.

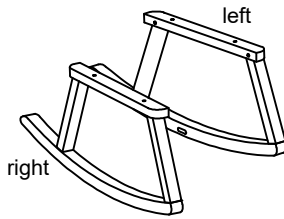
-From time to time, check your rocking chair for loose screws, and worn parts. Replace or adjust the parts as needed.

Due to constant updating and improvements, some components may occasionally differ slightly from the images shown in these instructions. We reserve the rights to change the specifications of any products without prior notice. If you need any assistance please contact your customer service from whom you purchased your product, who will take appropriate action.

## CONTACT US

Email: [ringo@tfwooden.com](mailto:ringo@tfwooden.com)

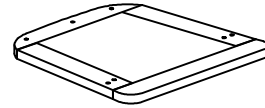
## YOUR SIMPLE PARTS LIST



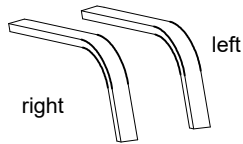
01 \*2



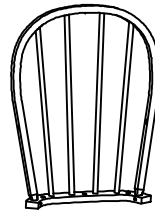
02 \*1



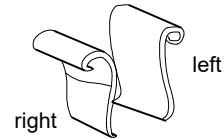
03 \*1



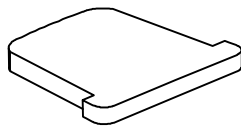
04 \*2



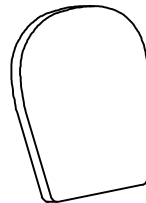
05 \*1



06 \*2

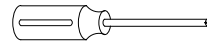


07 \*1



08 \*1

You also need to prepare:



Phillip screw driver

## ALL THE FITTINGS YOU WILL NEED



M6\*40mm  
Bolts

A \*4



M6\*35mm  
Bolts

B\*7



M6 Nut

C\*4



Little Batten

D\*2



M4\*30mm  
Wood screws

E\*2

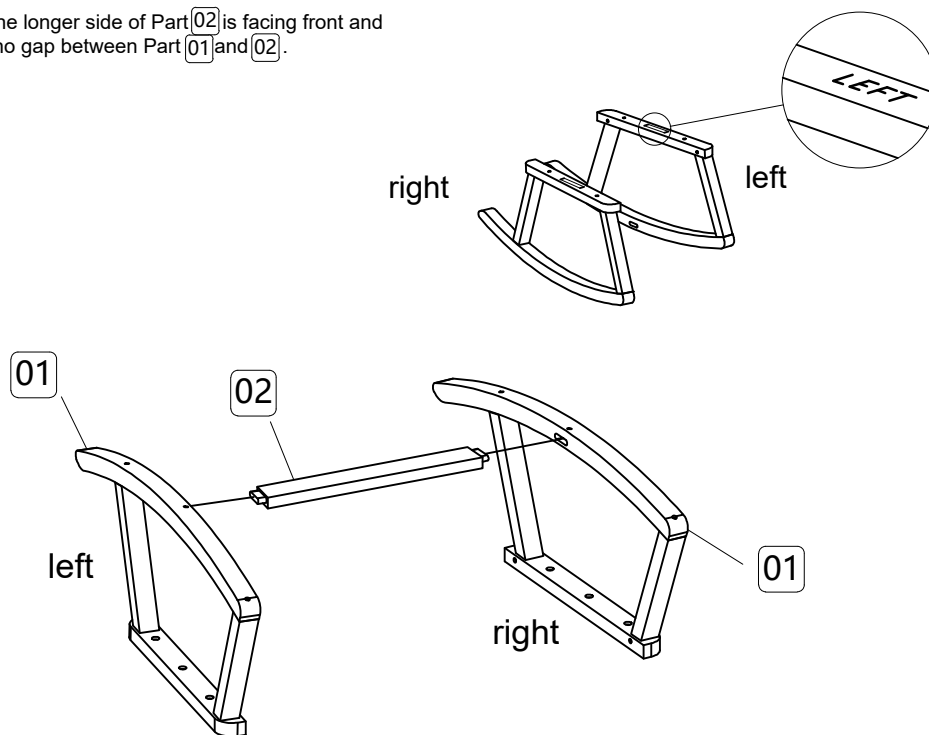


Allen Key

F\*1

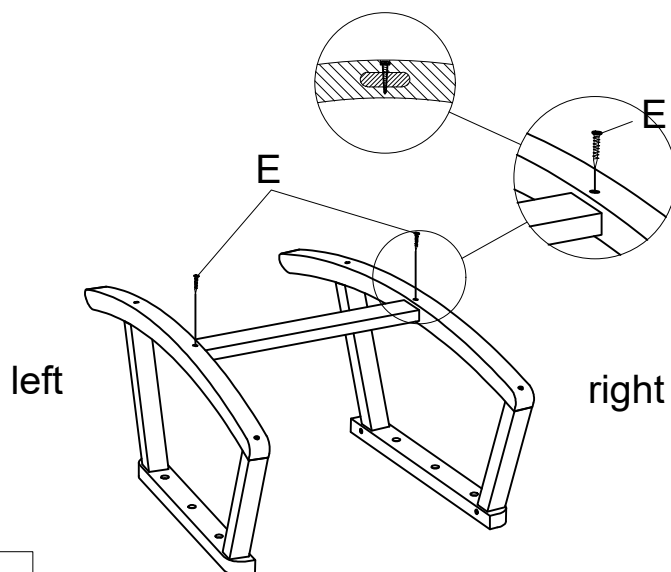
## STEP 1

Ensure the longer side of Part **02** is facing front and there is no gap between Part **01** and **02**.

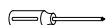


## STEP 2

Ensure the screws E are tightened and sit below the top surface of the countersunk holes, so as not to scratch your floor.

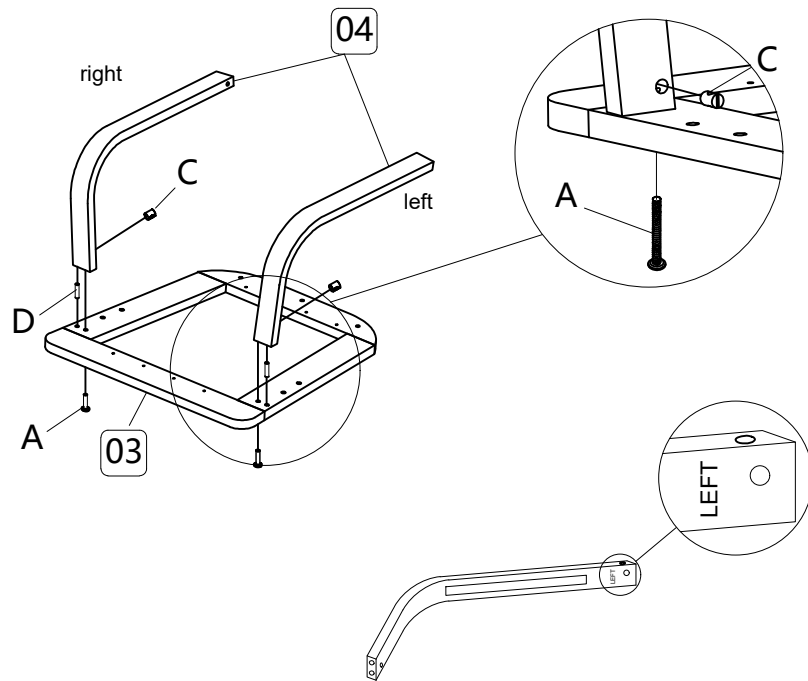






M4\*30mm  
Wood screws  
E \*2



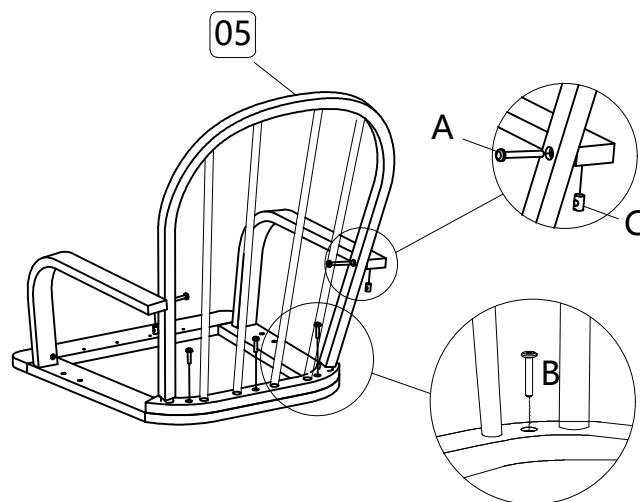
Phillip screw  
driver





## STEP 3



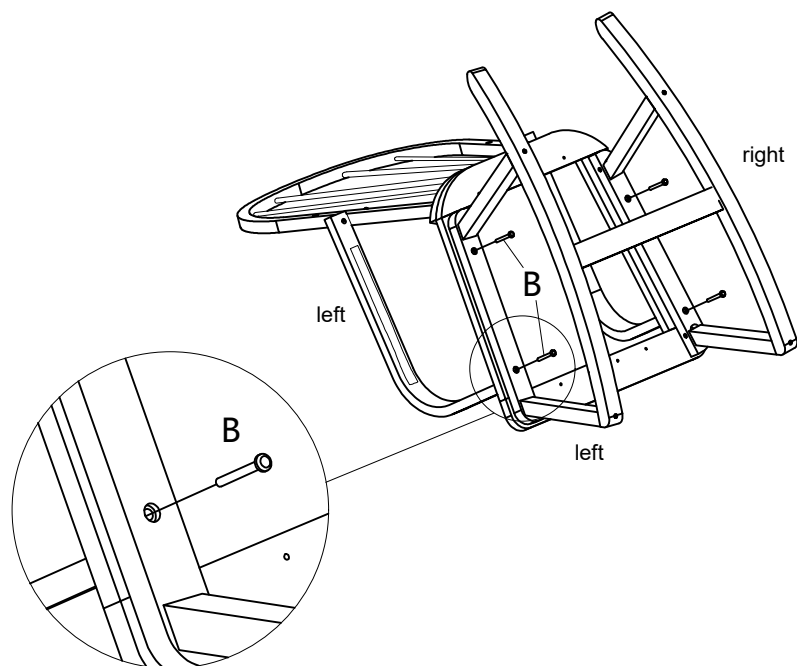
			
M6*40mm Bolts A *2	M6 Nut C*2	Little Batten D*2	Allen Key F*1


## STEP 4



			
M6*40mm Bolts A *2	M6 Nut C*2	M6*35mm Bolts B *3	Allen Key F*1

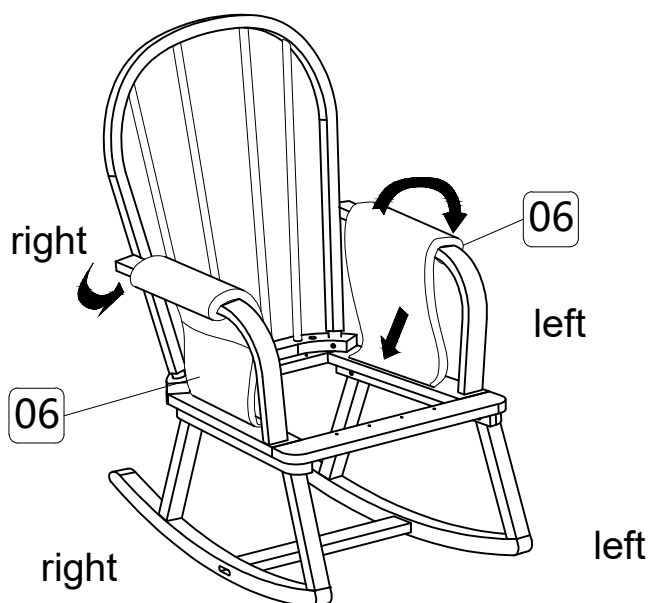
## STEP 5



  
M6\*35mm Bolts  
B \*3

  
Allen Key  
F\*1

## STEP 6



# STEP 7

