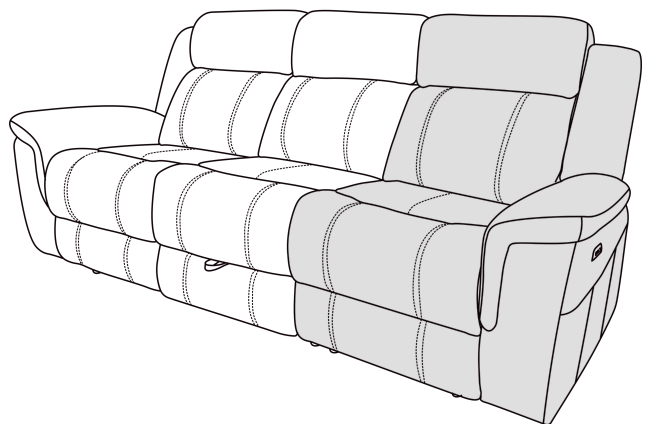
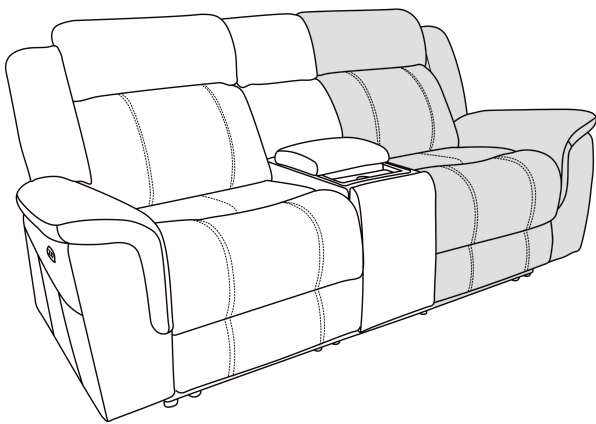


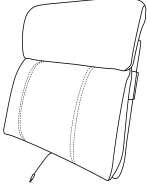
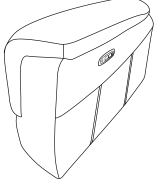
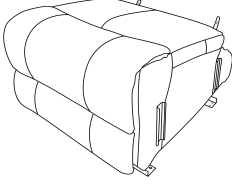

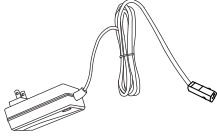
Power Right Chair **Assembly Manual**



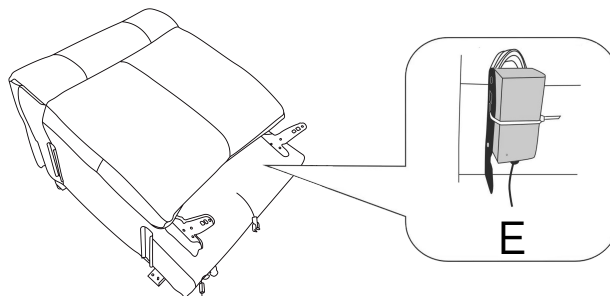
CAUTION

THIS ASSEMBLY MANUAL CONTAINS IMPORTANT SAFETY INFORMATION.
PLEASE READ AND KEEP FOR FUTURE REFERENCE.

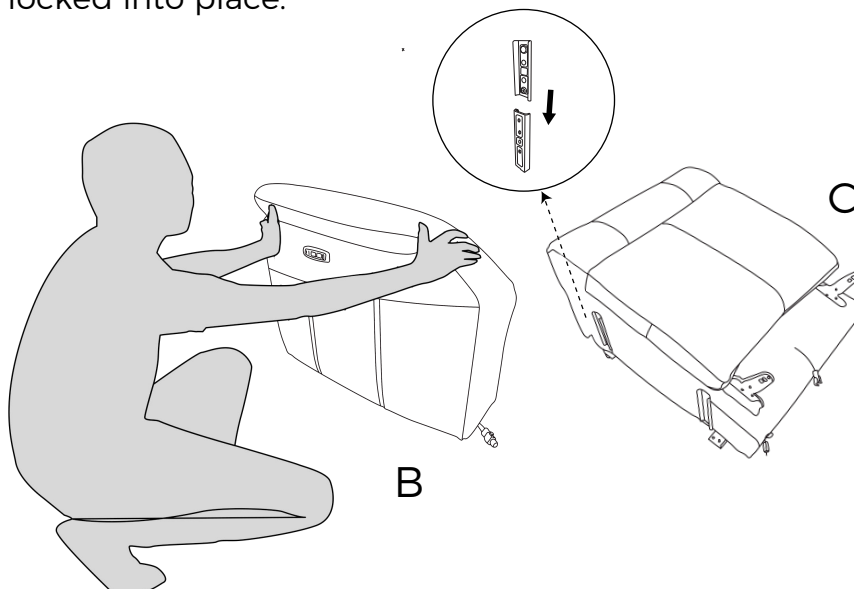
Parts

A  Back	B  Right Armrest	C  Seat
D  Right Wing	E  Power Supply	

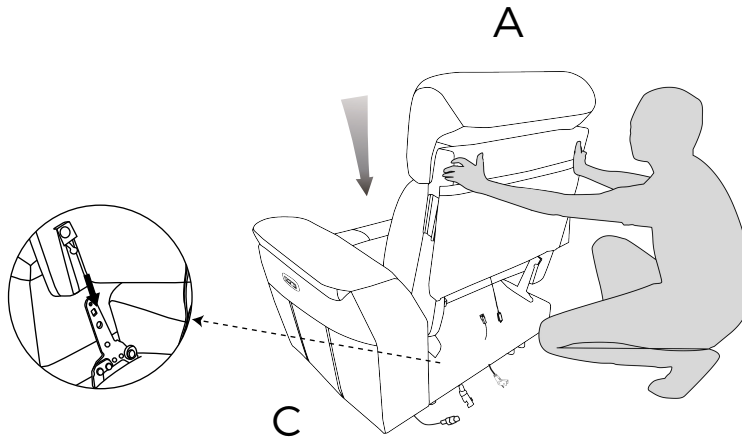
Before you begin: Locate the Power Supply (E) at the back of Power Right Chair Seat.



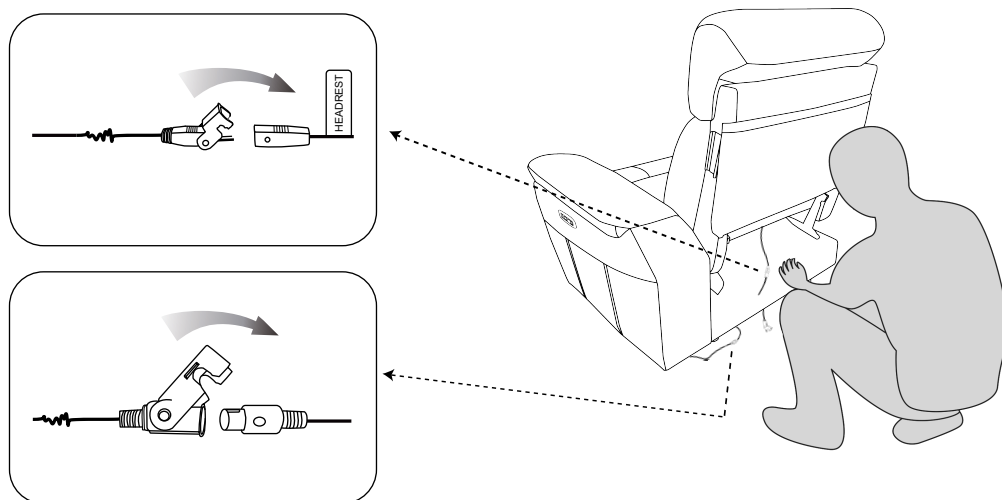
Step 1: Slide the Right Armrest (B) into the Seat (C). Push down the Right Armrest (B) firmly until it is locked into place.



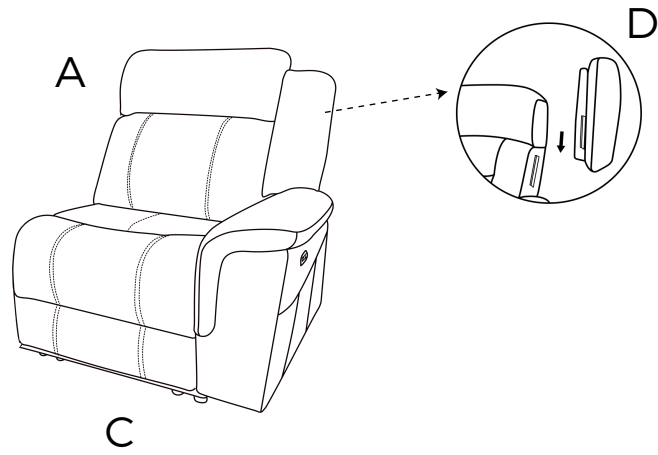
Step 2: Slide the Back (A) into the metallic quick connectors of the Seat (C). Push down the Back (A) firmly until each side is locked into place and an audible “click” is heard.



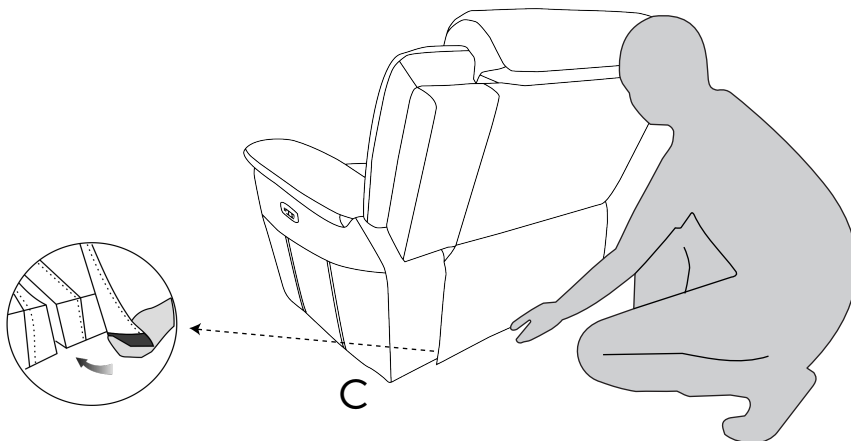
Step 3: Connect the Headrest cable into the Headrest cable. Connect the Footrest cable into the Footrest cable.



Step 4: Slide the the Right Wing (D) into the Back (A).

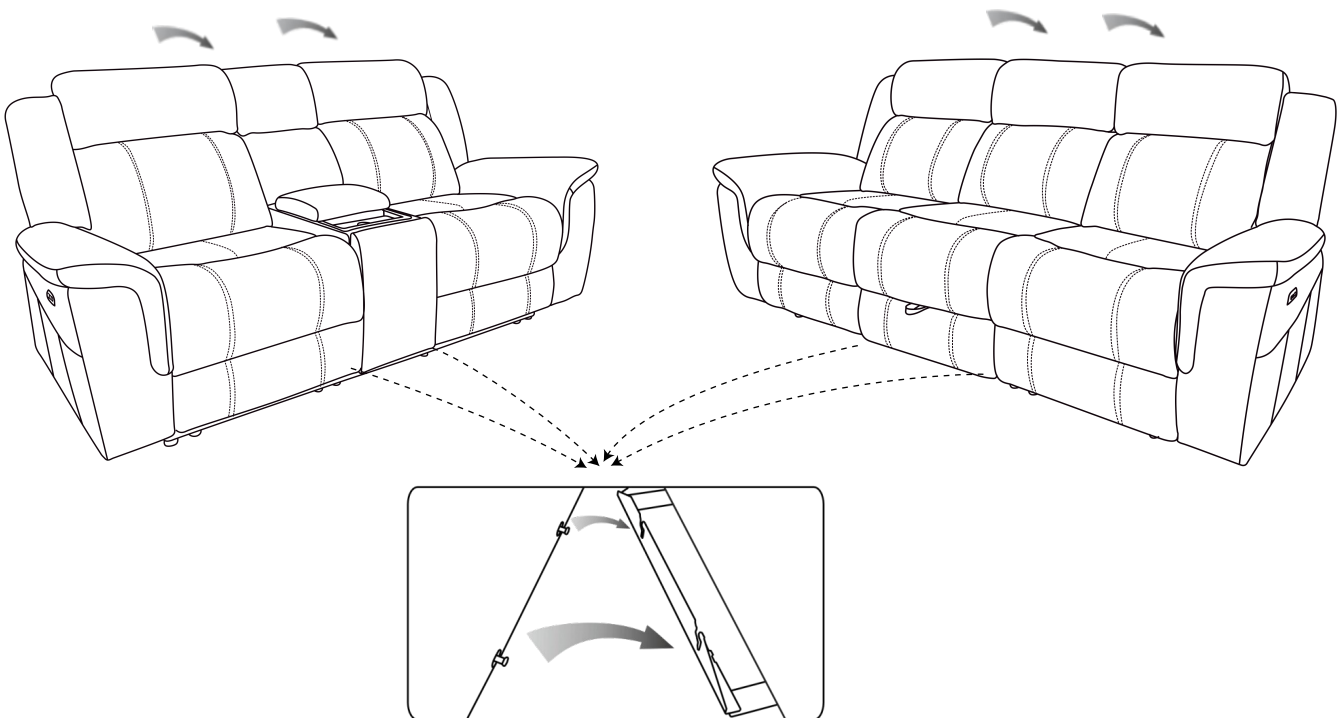


Step 5: Attach the back cover to the bottom of the Seat (C) with Velcro.

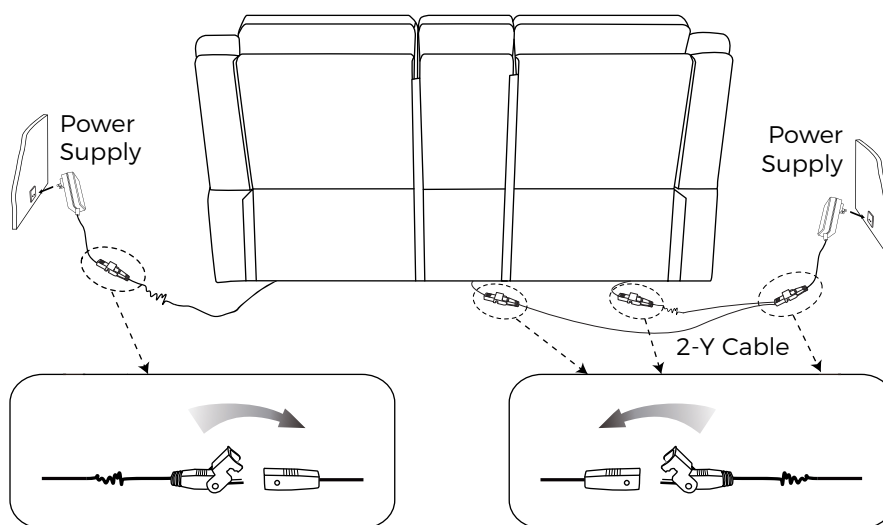


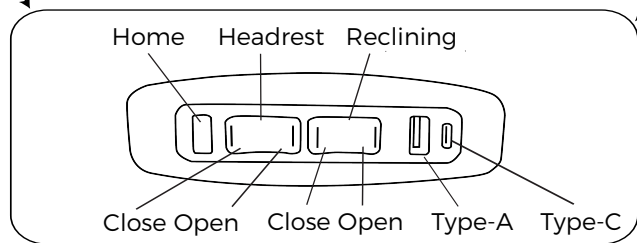
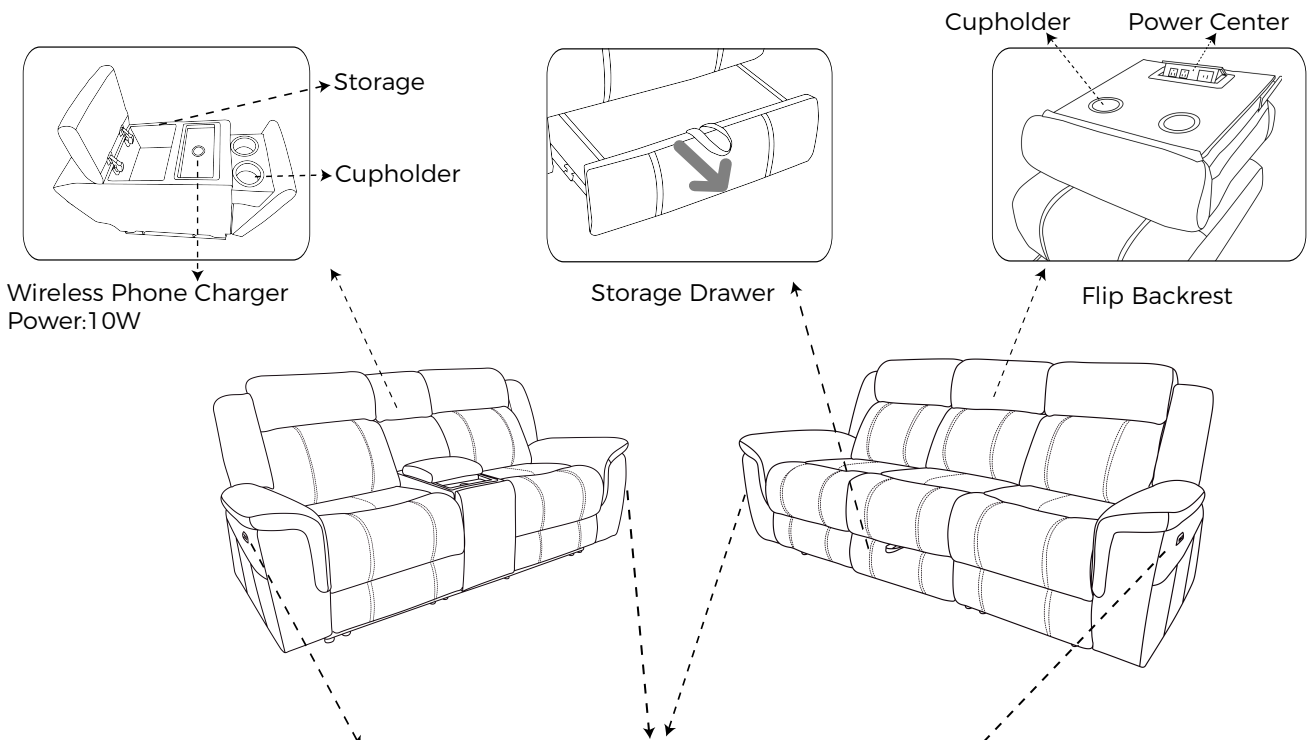
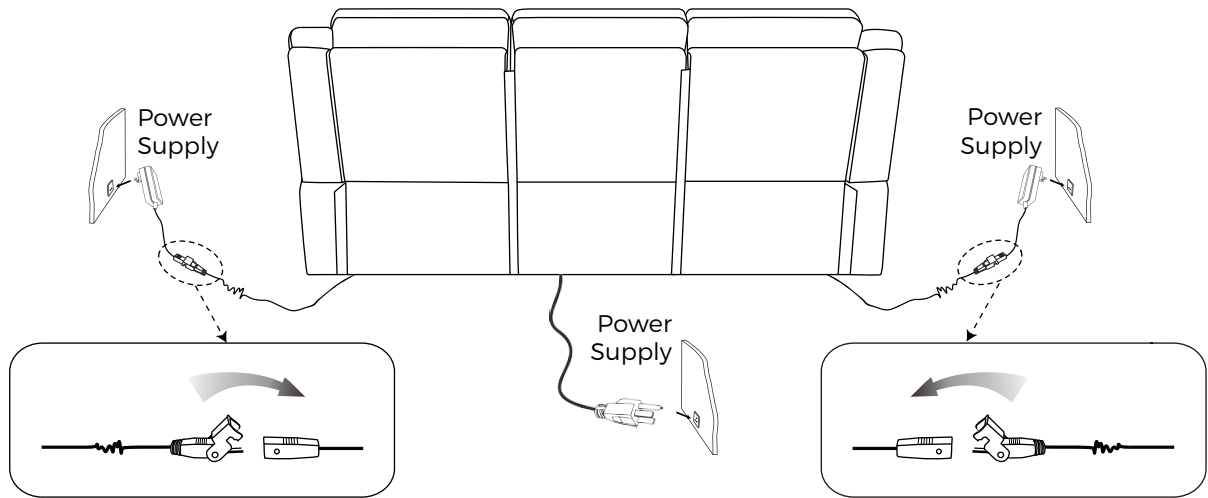
How to Connect

Step 1: Attach each piece with brackets on the side. Kindly note to attach from Left hand to Right hand.



Step 2: Using 2-Y cable (from Console parts) to connect your Console and Power Left Recliner together. Plug the Power Supply into the power outlet.





How to operate