

INTRODUCTION

Thank you for purchasing our products. Please read the instructions carefully before installation and keep it in a safe place for future reference. If you need any assistance or support, please feel free to contact our customer support team.

PRECAUTIONS

1. There are many components and accessories in the package. Each component and accessory is labeled with a letter or a number, check carefully before using any of them. Keep them away from children to prevent accidents.

2. Please install the product on a clean and soft underlay (such as carpet or cardboard) to avoid scratching or damaging the surface of the product.

3. The main components of the product is relatively heavy. Please pay attention to safety during installation.

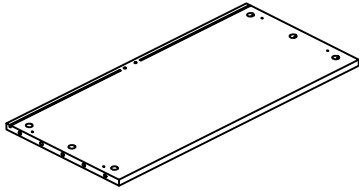
4. The product is not stable during installation. Please do not move it randomly before it is completely installed.

5. If you have any questions during installation, please contact the customer service in time.

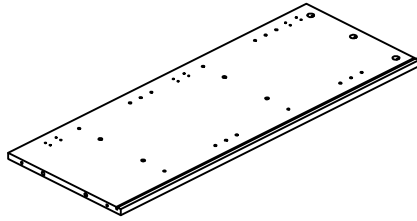
* PLEASE BE SURE TO FOLLOW THE INSTALLATION STEPS IN THE MANUAL TO AVOID UNNECESSARY LOSSES CAUSED BY IMPROPER INSTALLATION.

* IF YOU NEED FURTHER ASSISTANCE, PLEASE CONTACT THE CUSTOMER SERVICE ONLINE.

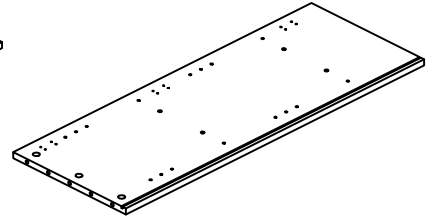
Parts List



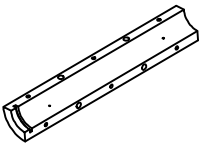
① 1PC



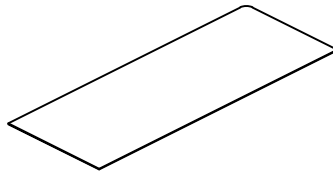
② 1PC



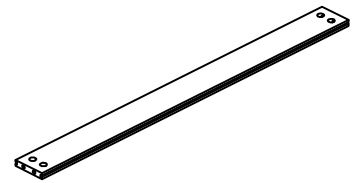
③ 1PC



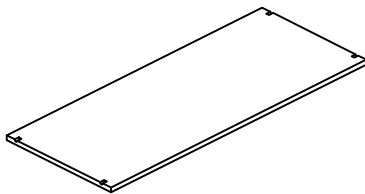
④ 2PCS



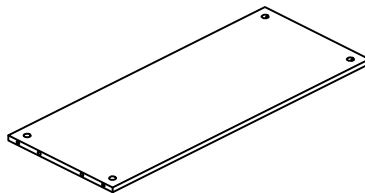
⑤ 2PCS



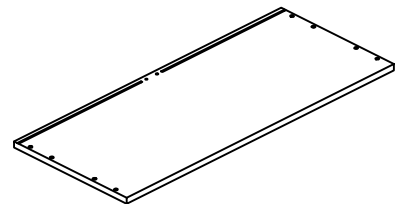
⑥ 1PC



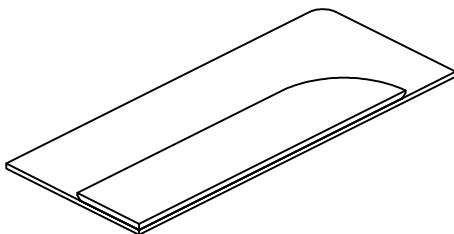
⑦ 2PCS



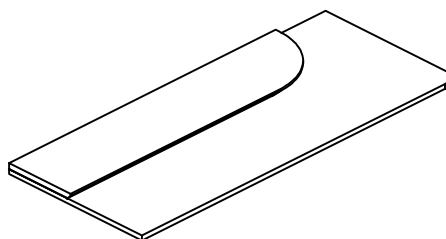
⑧ 2PCS



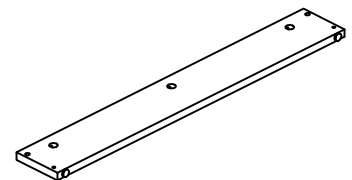
⑨ 1PC



⑩ 1PC

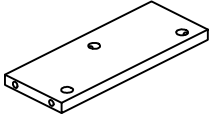


⑪ 1PC



⑫ 2PCS

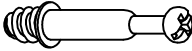



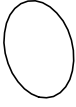
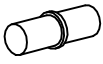


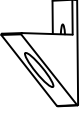

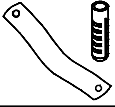
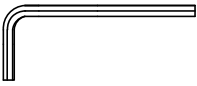

Parts List

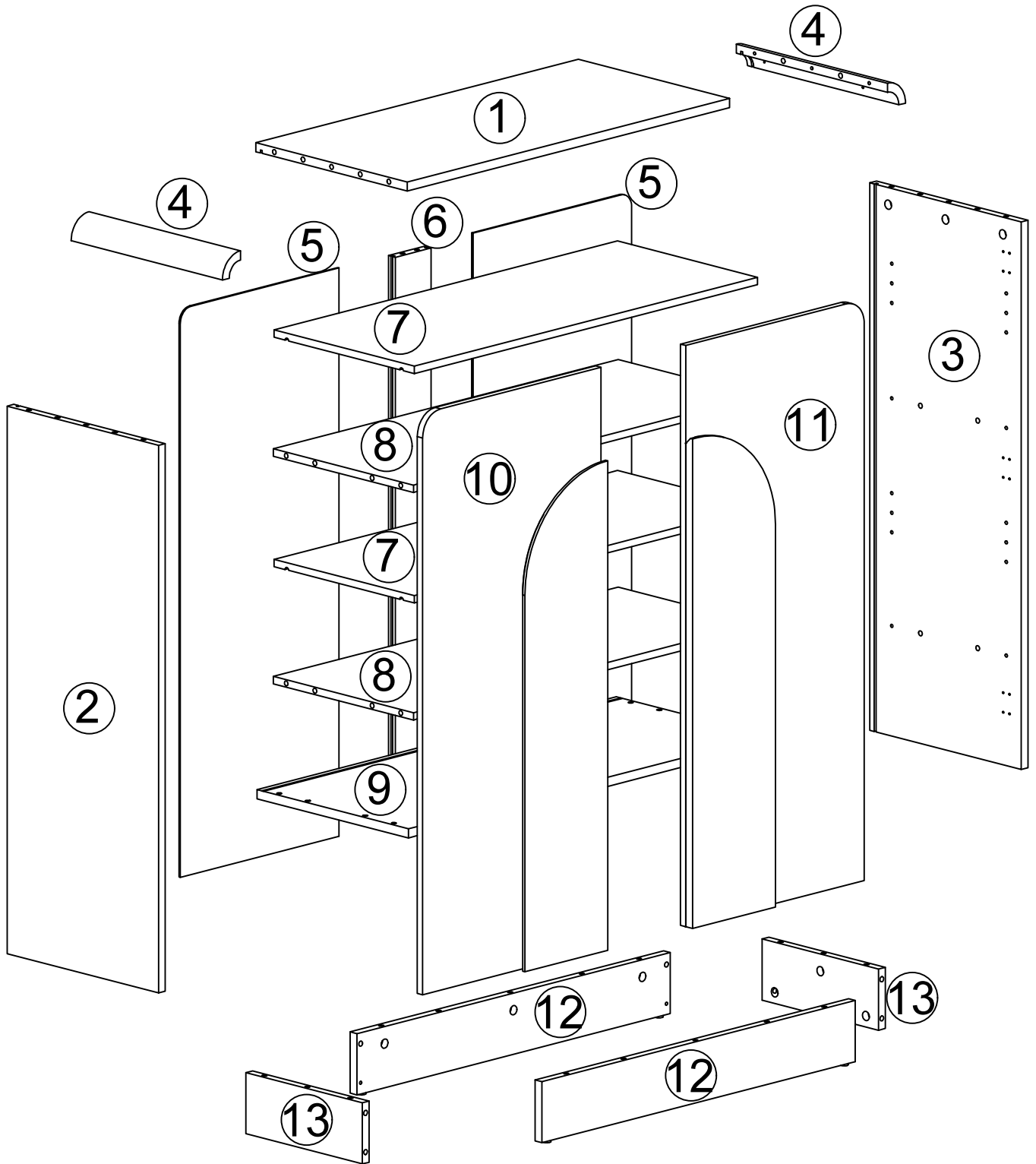


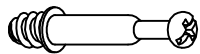
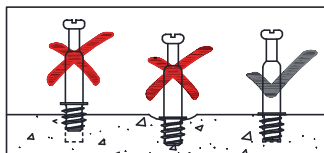
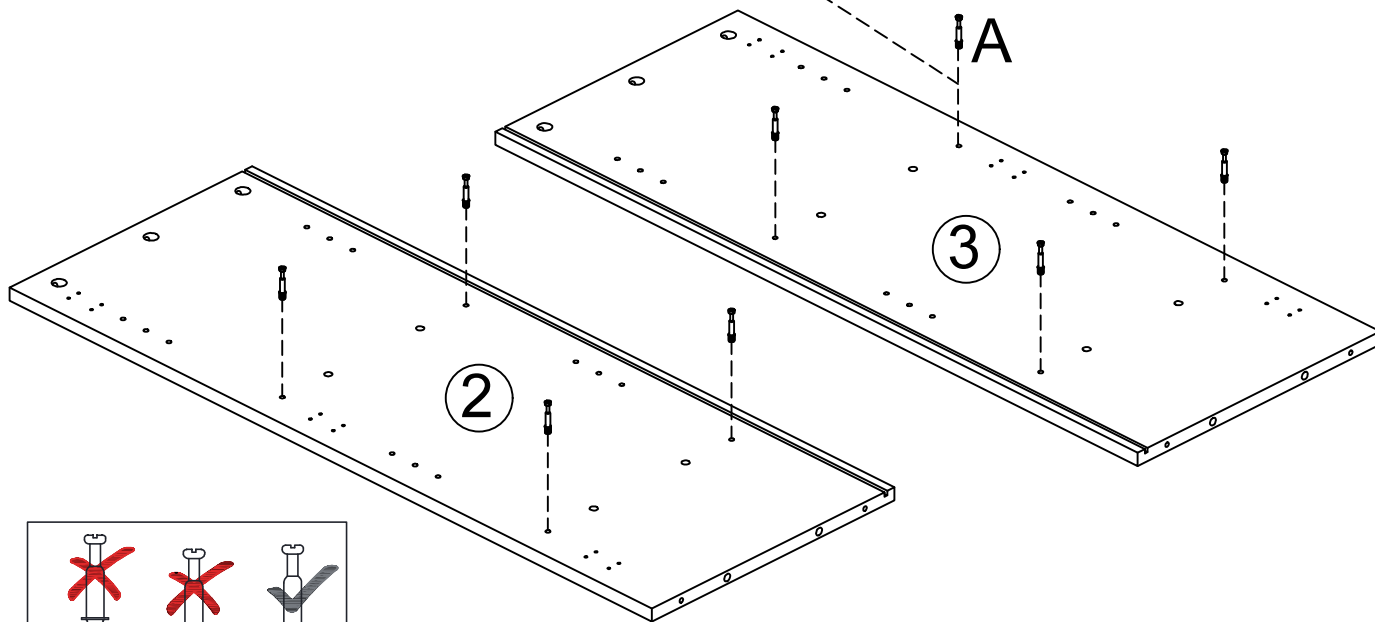
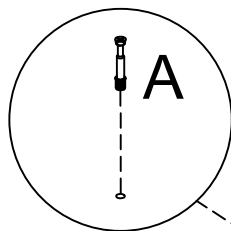
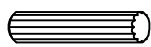
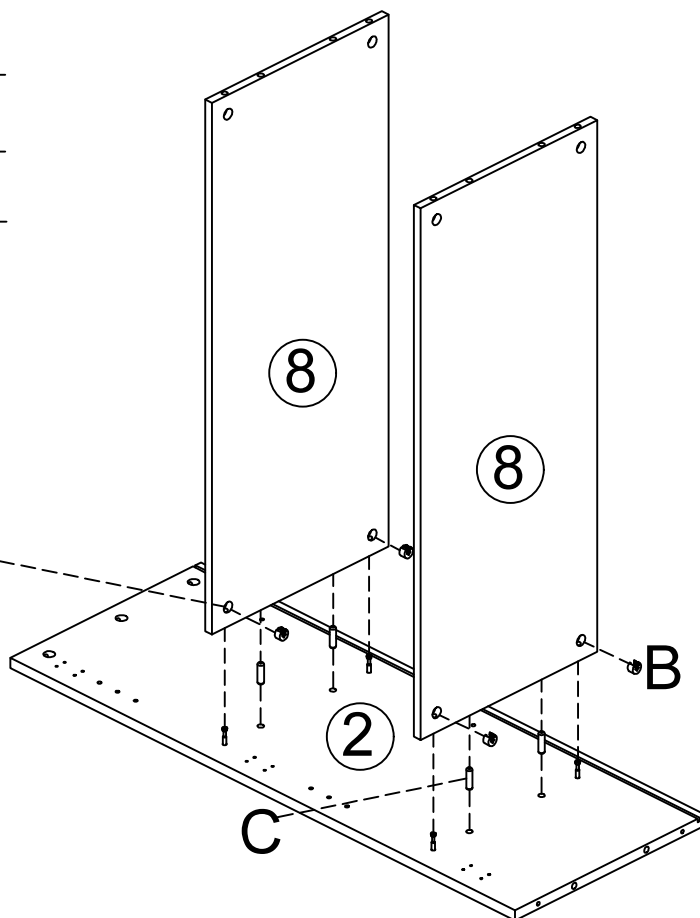
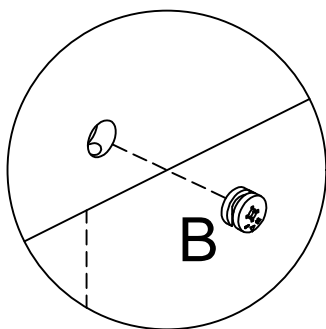
⑬ 2PCS

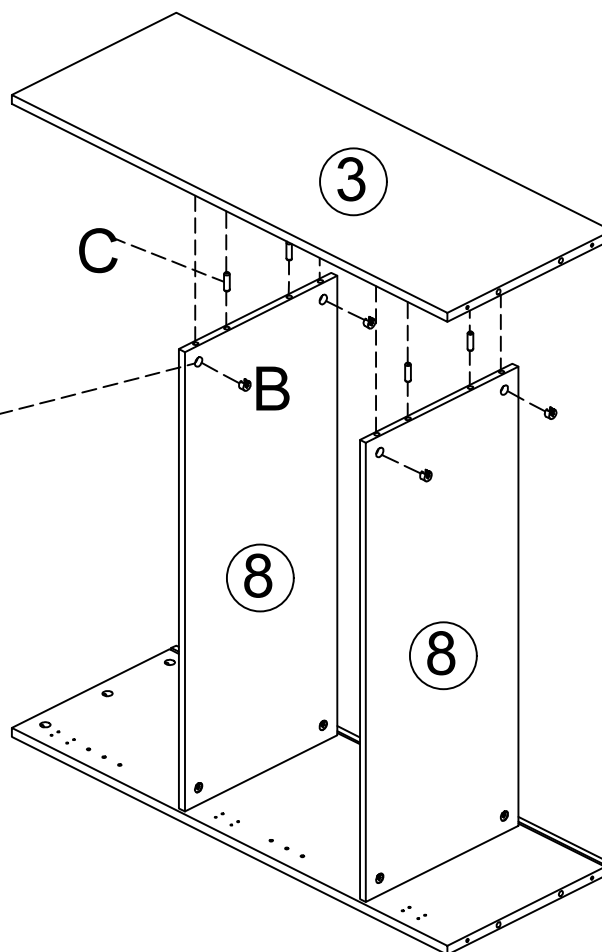
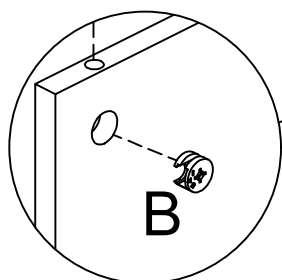
Hardware Provided

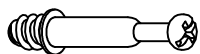
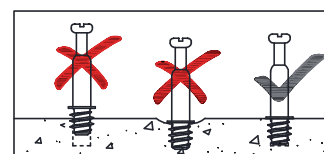
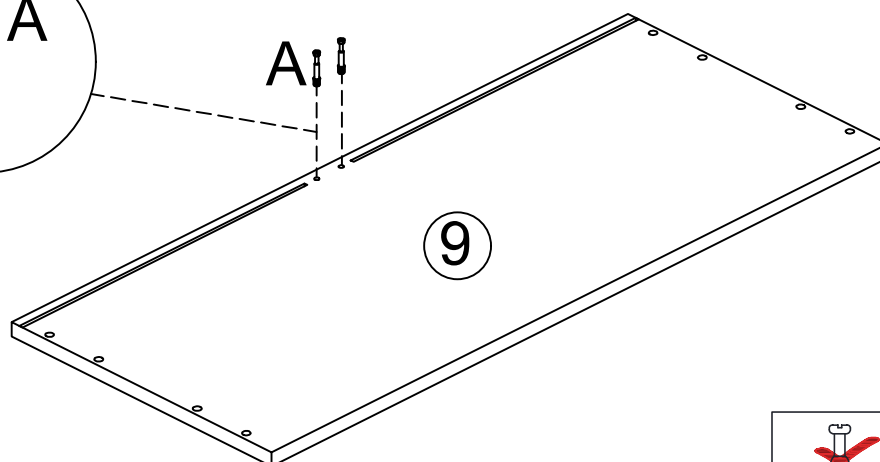
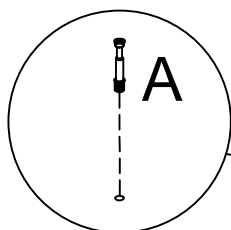
Hardware List


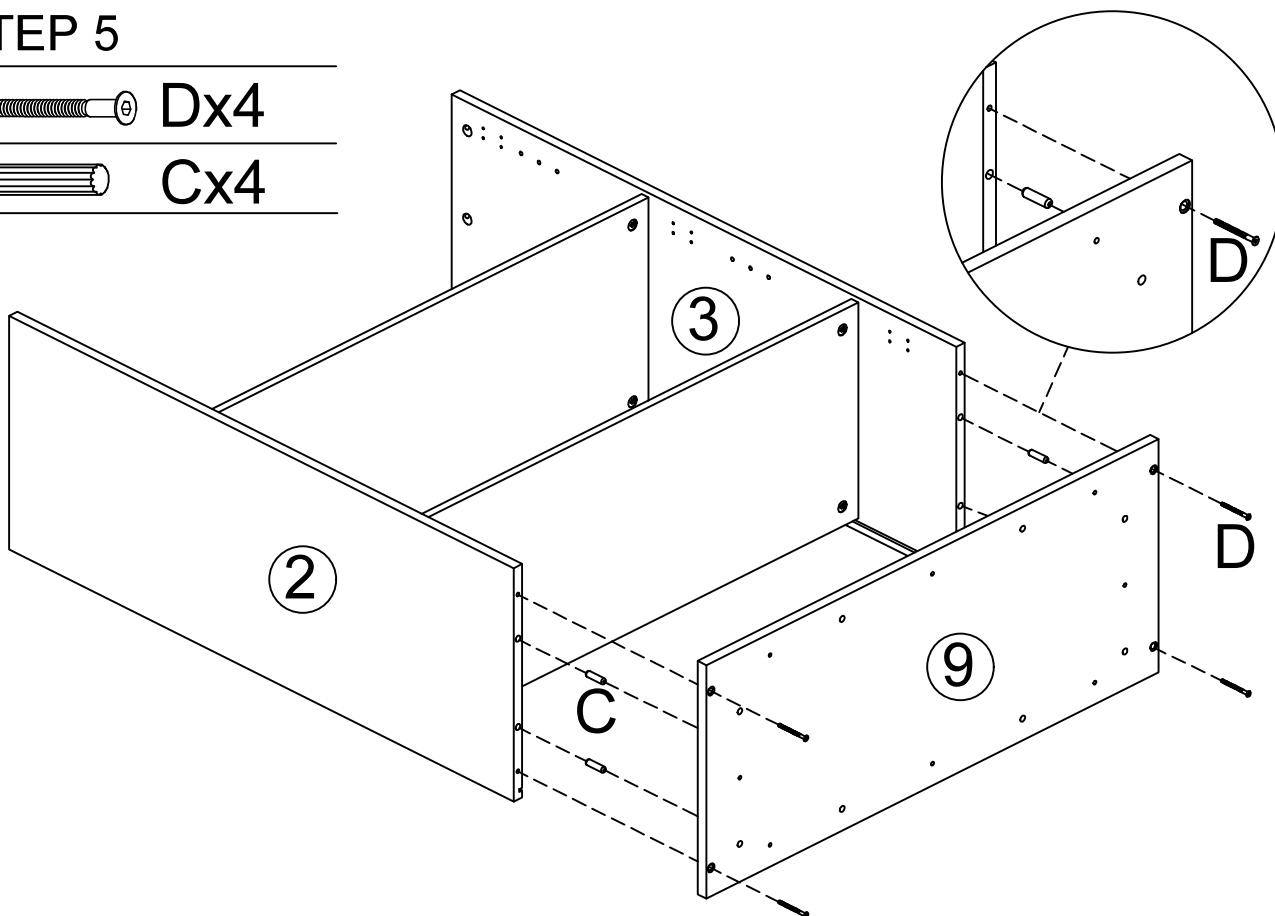
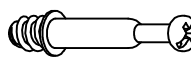
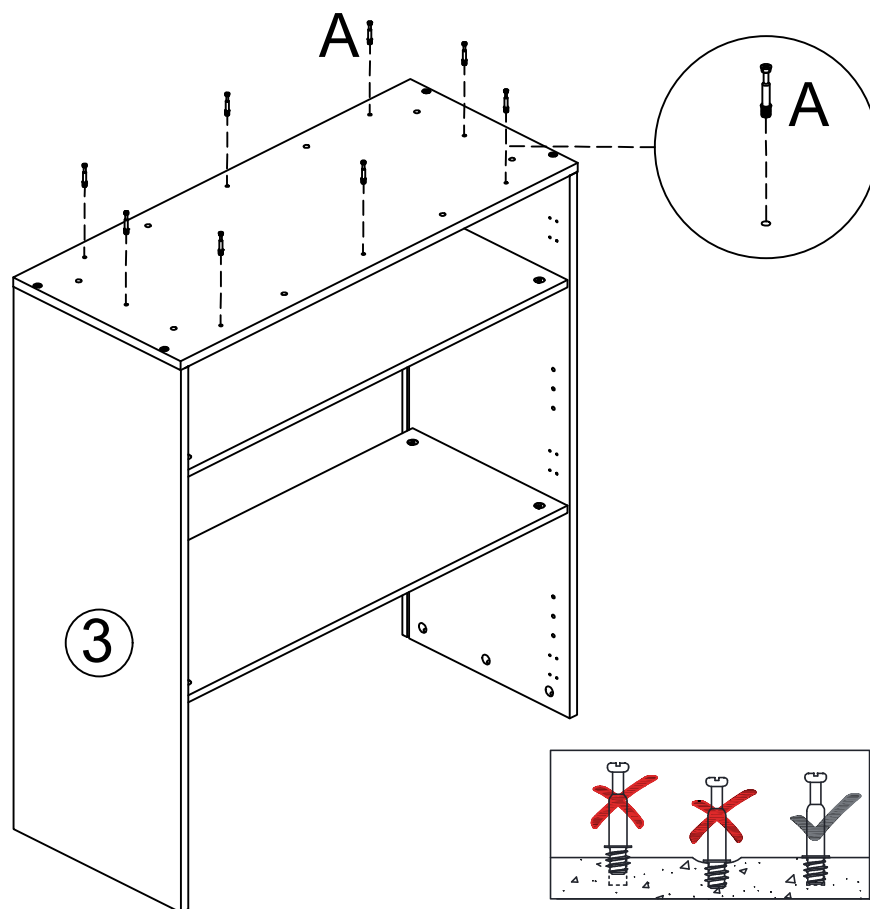
A	x36	B	x36	C	x32	D	x4	E	x12
									
Ø6*36mm		Ø15*9.5mm		Ø8*30mm		Ø6*40mm			
F	x8	G	x6	H	x44	I	x12	J	x12
									
				Ø3.5*12mm				Ø3*16mm	
K	x2	L	x1	M	x4				
									



STEP 1**Ax8****STEP 2****Bx4****Cx4**

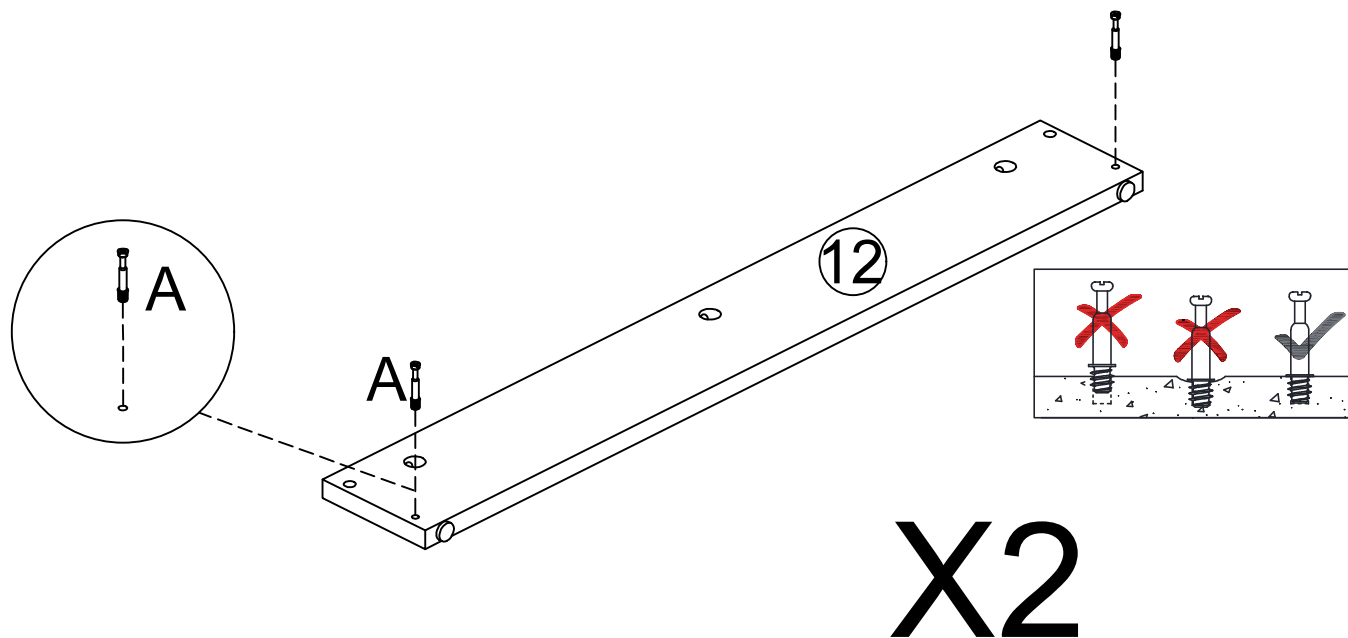
STEP 3**Bx4****Cx4**

STEP 4**Ax2**

STEP 5 **Dx4** **Cx4****STEP 6** **Ax8**

STEP 7

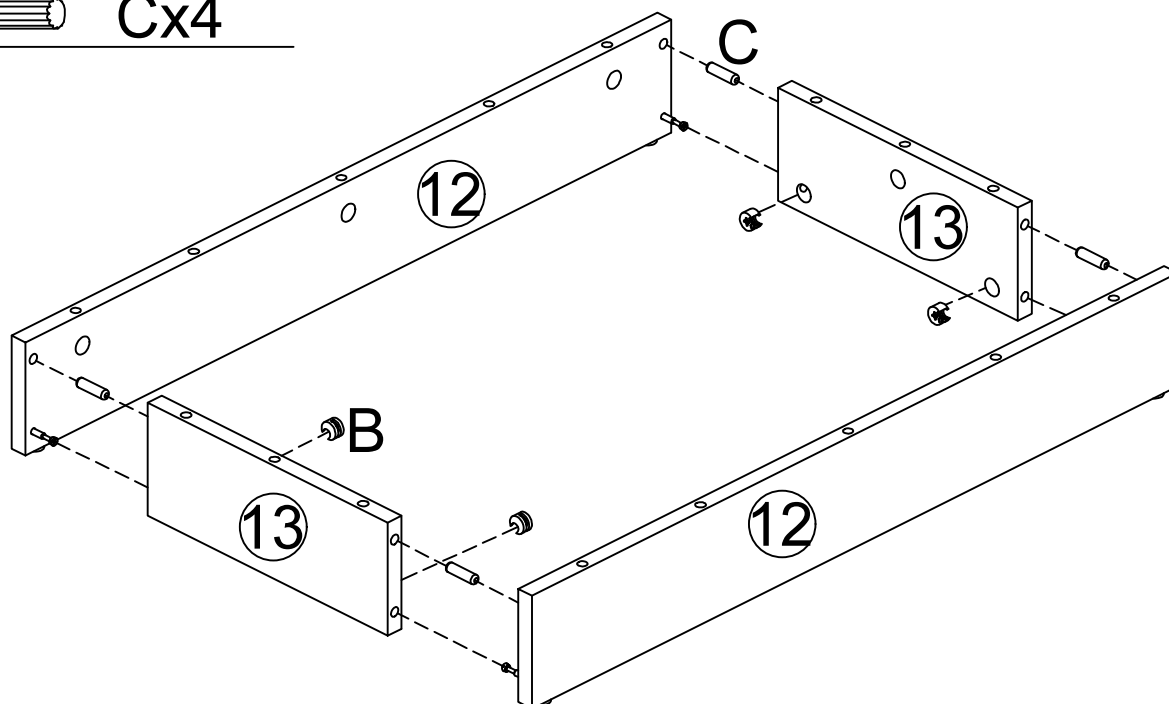
 **Ax4**

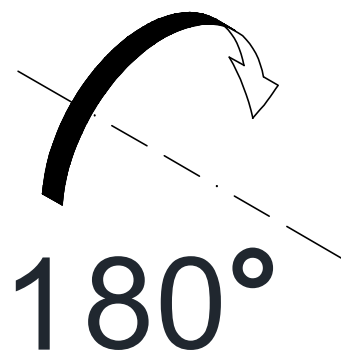
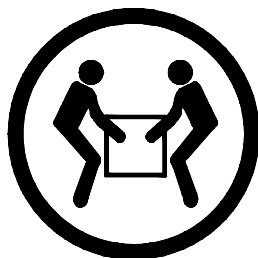
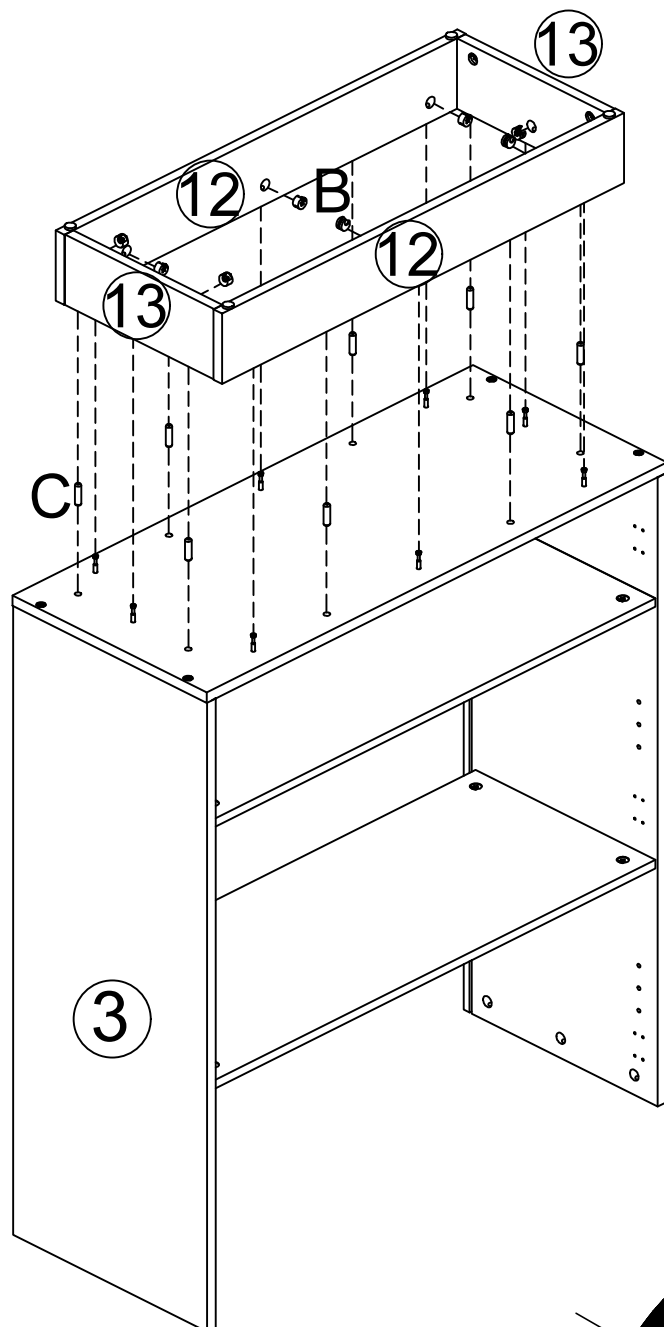


STEP 8

 **Bx4**

 **Cx4**

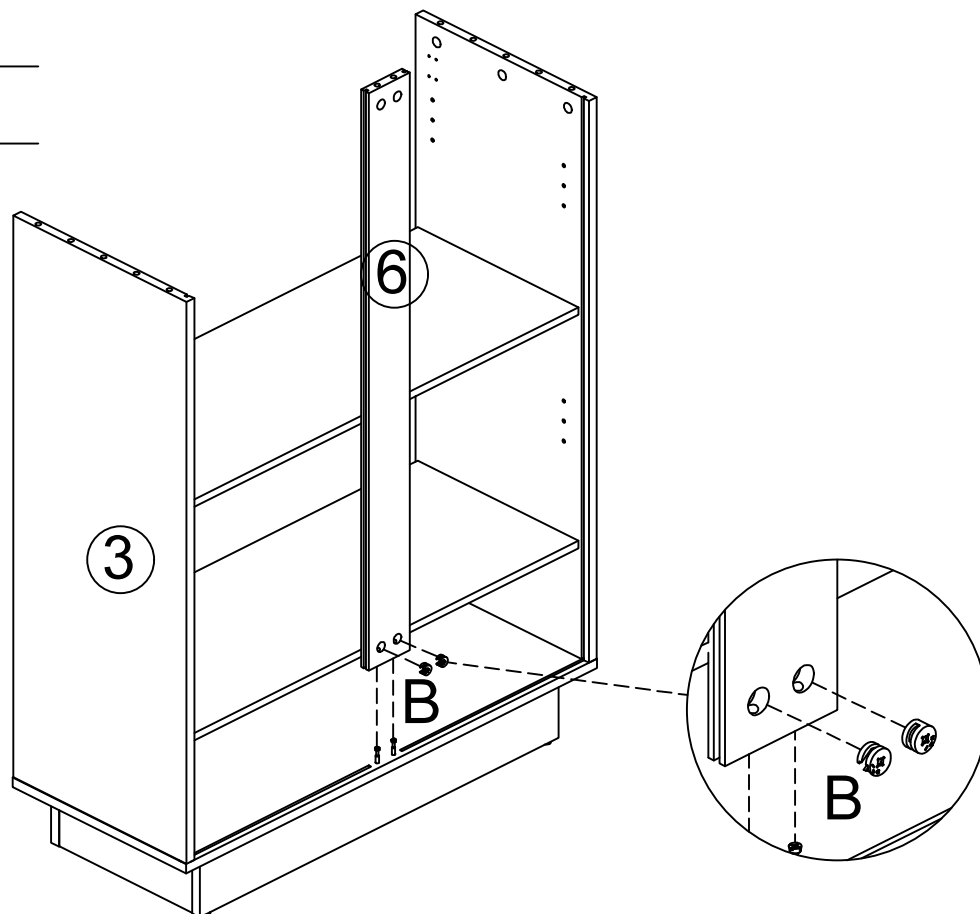


STEP 9**Bx8****Cx8****180°**

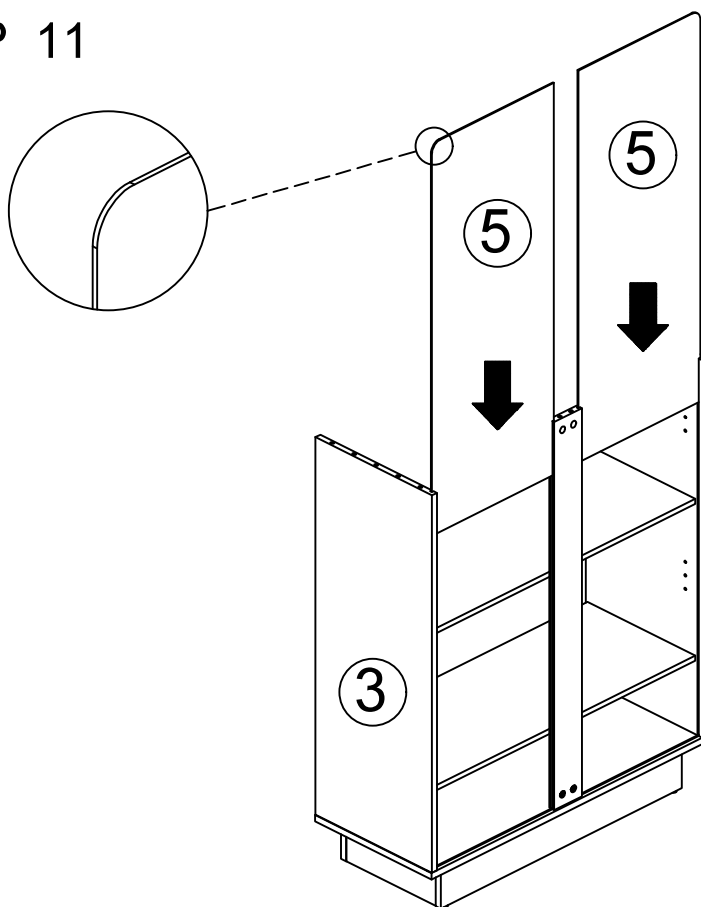
STEP 10



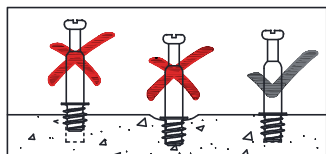
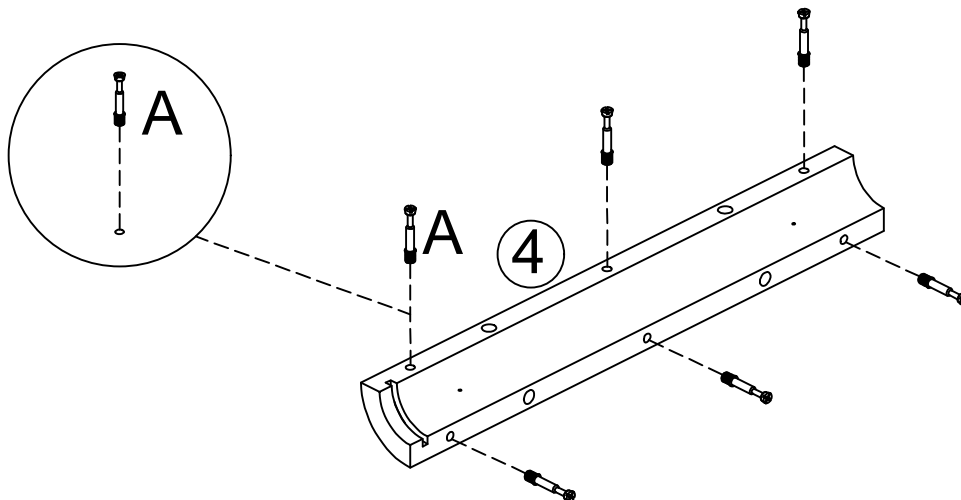
Bx2

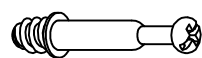


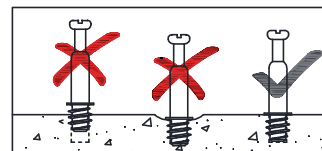
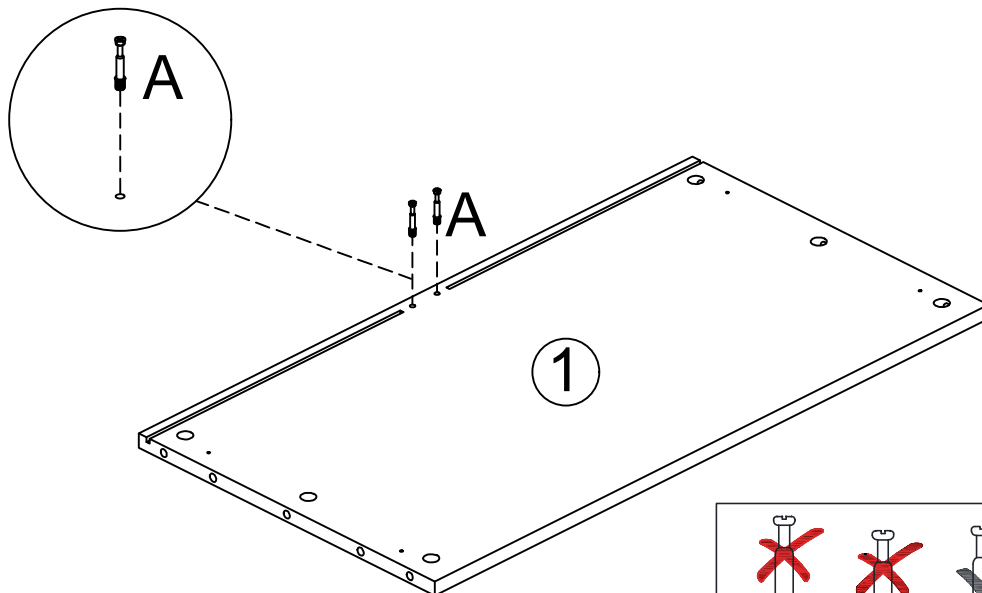
STEP 11

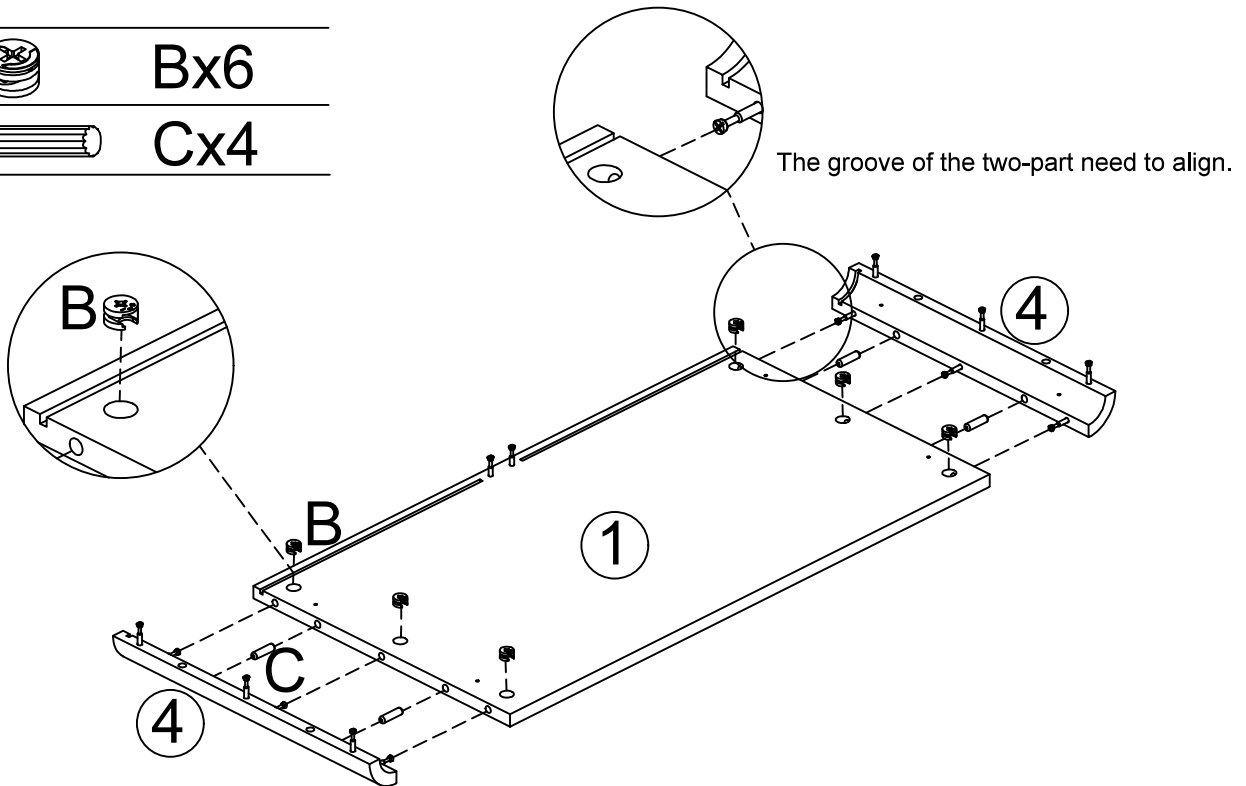
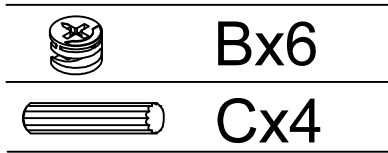


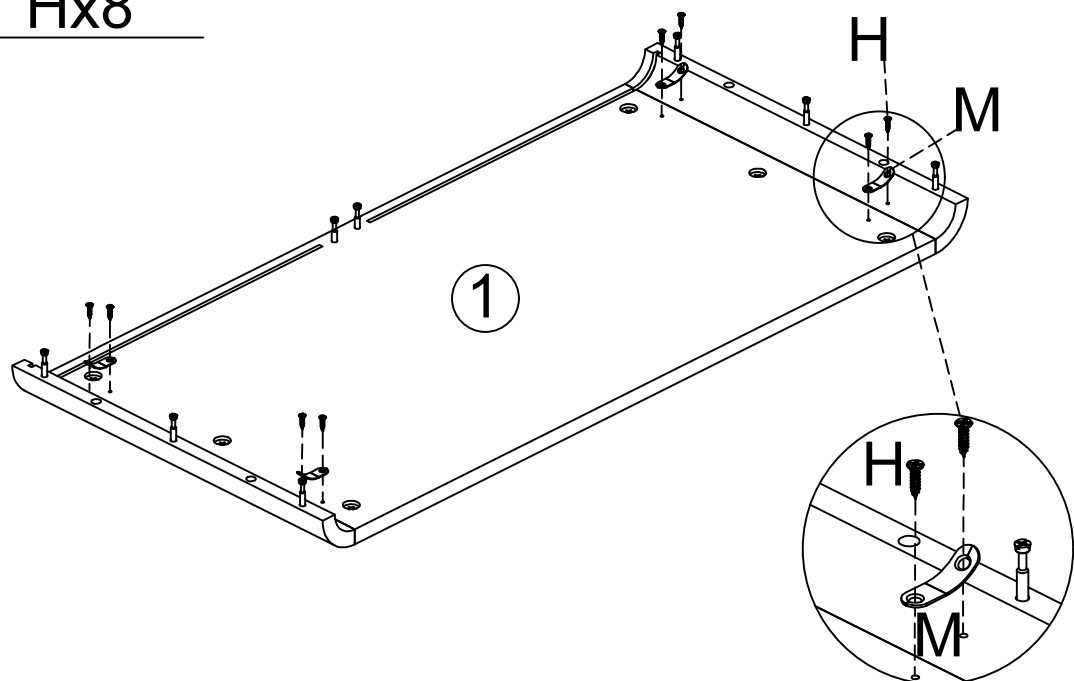
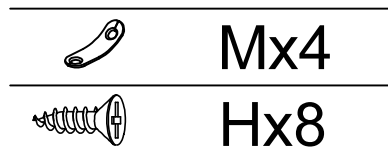
STEP 12 **Ax12**

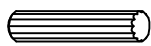
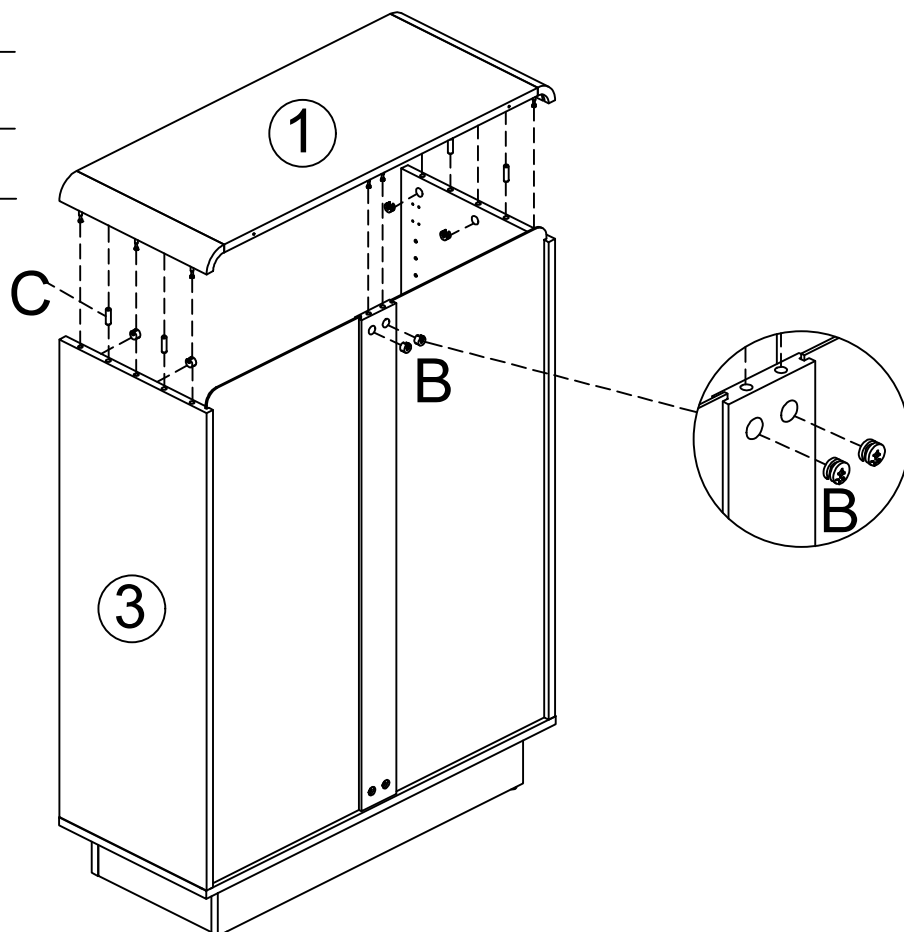
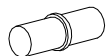
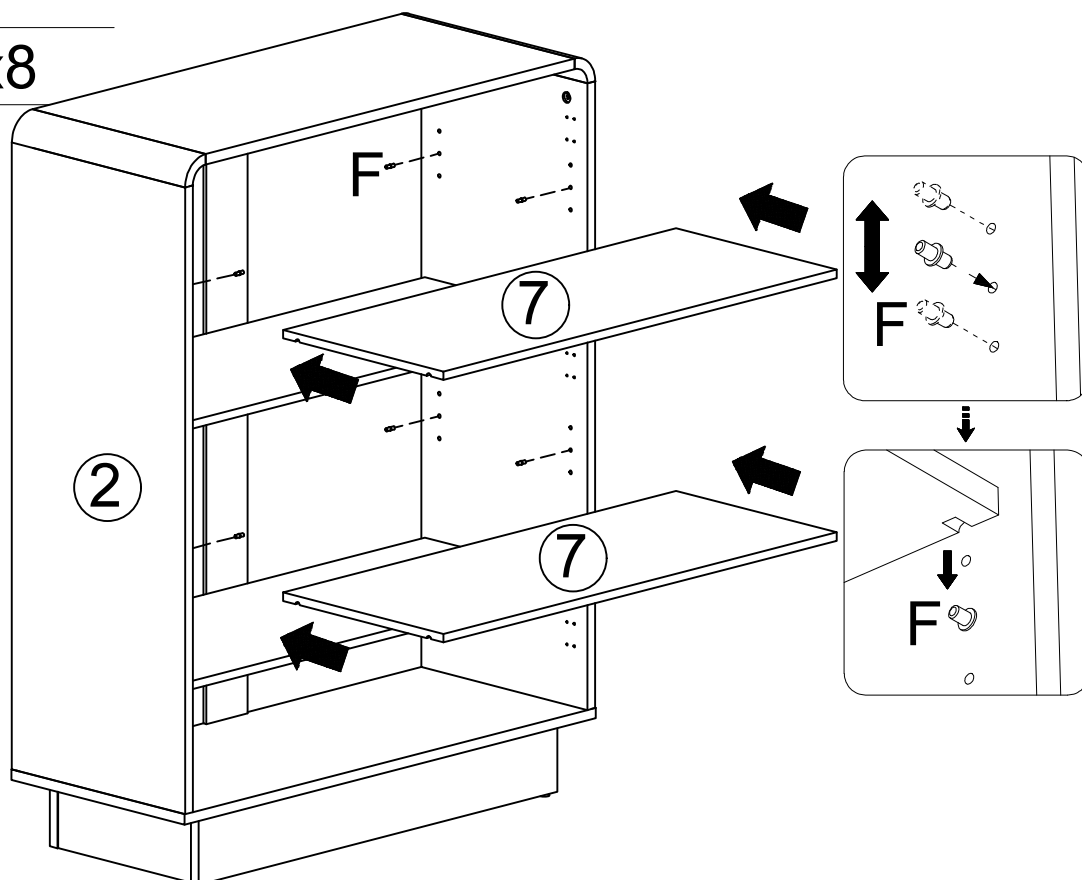
**X2**

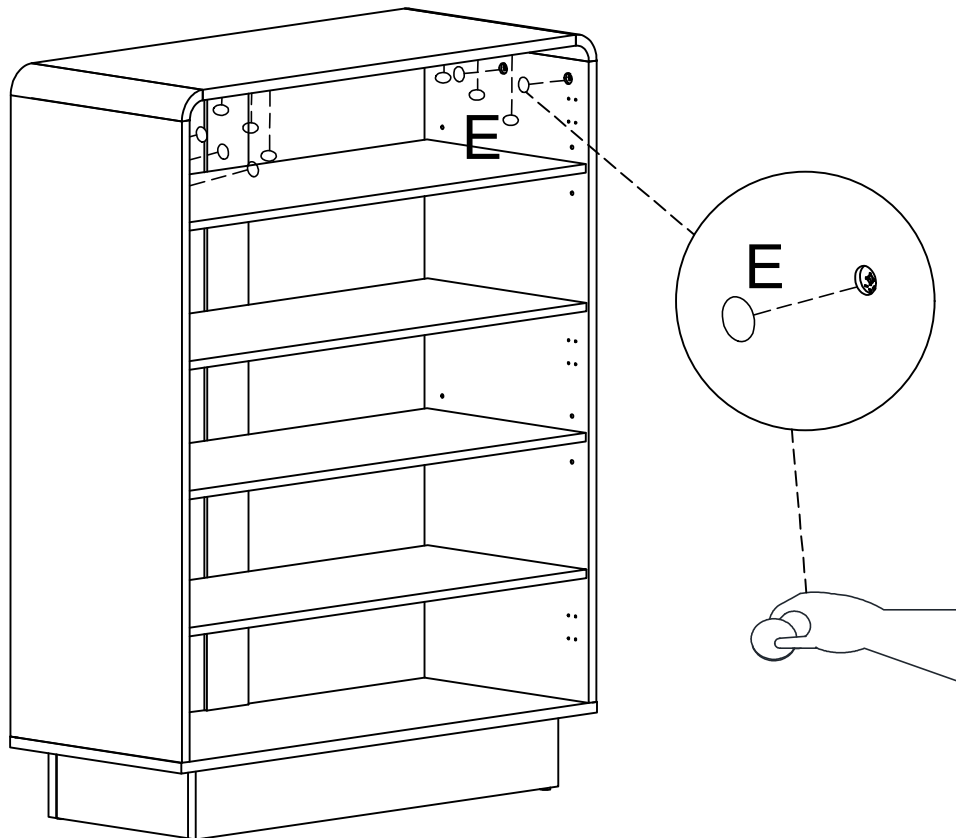
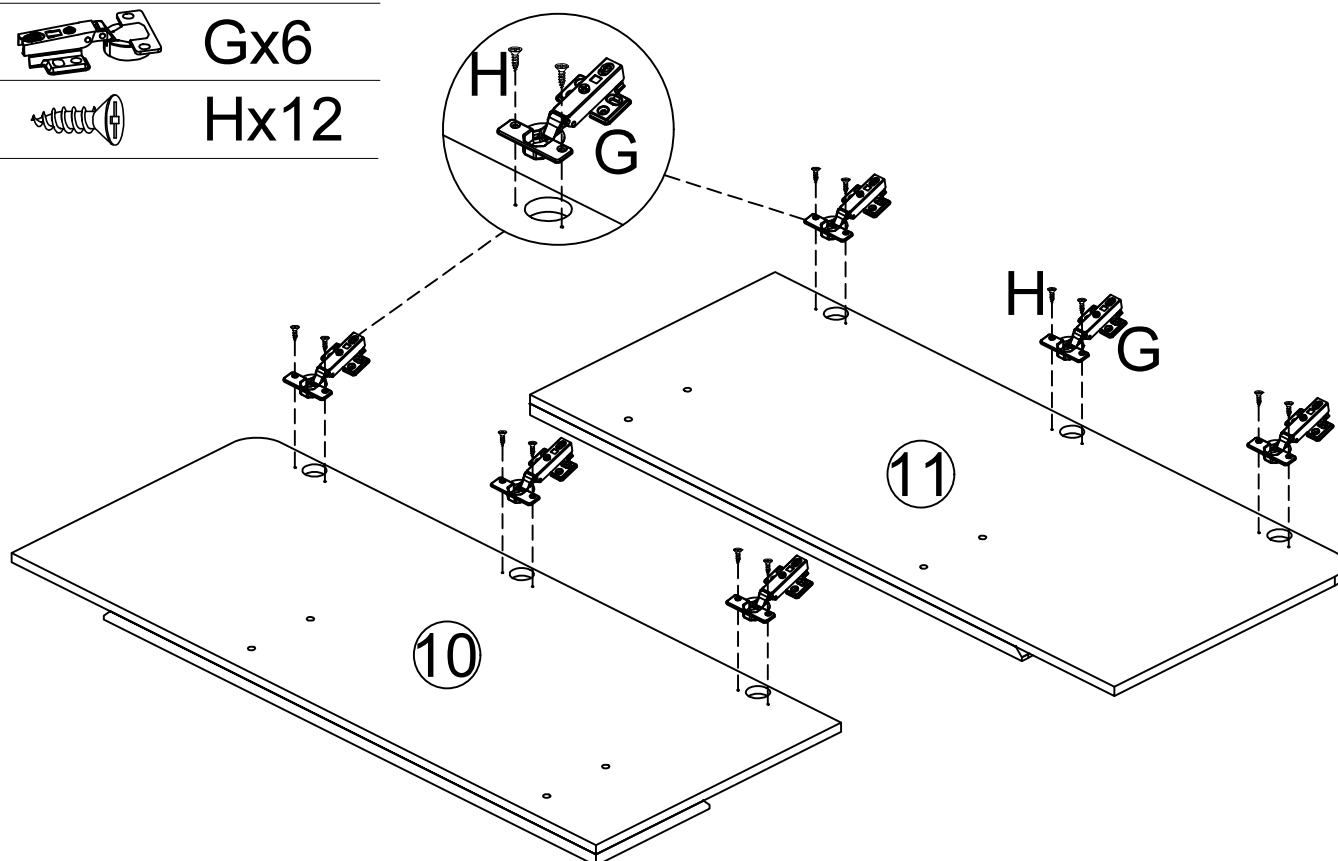
STEP 13 **Ax2**



STEP 14

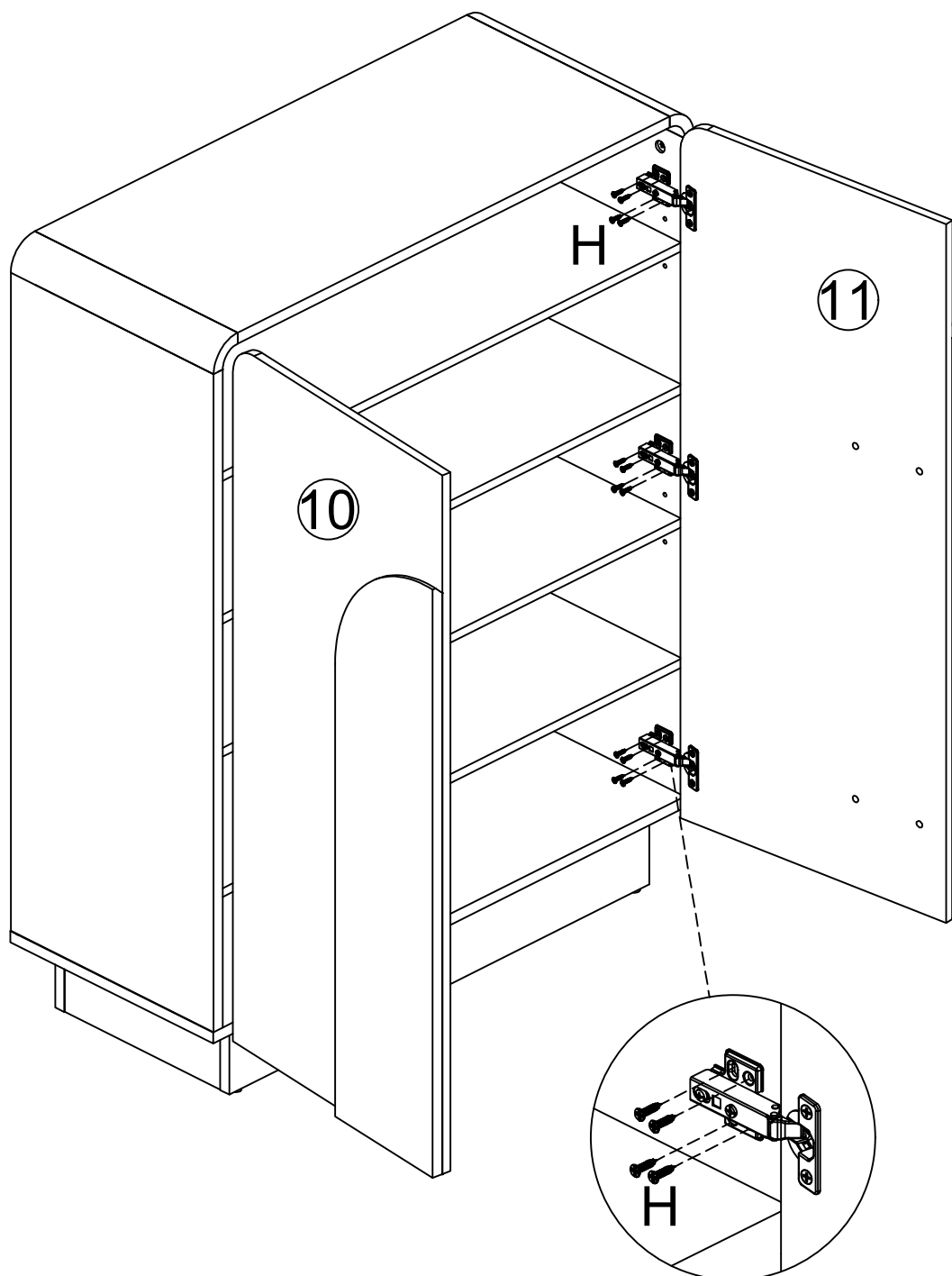
STEP 15

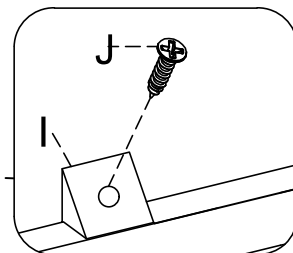
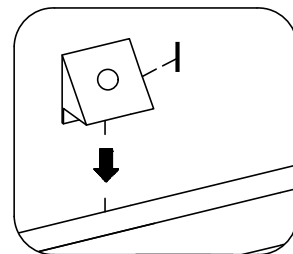
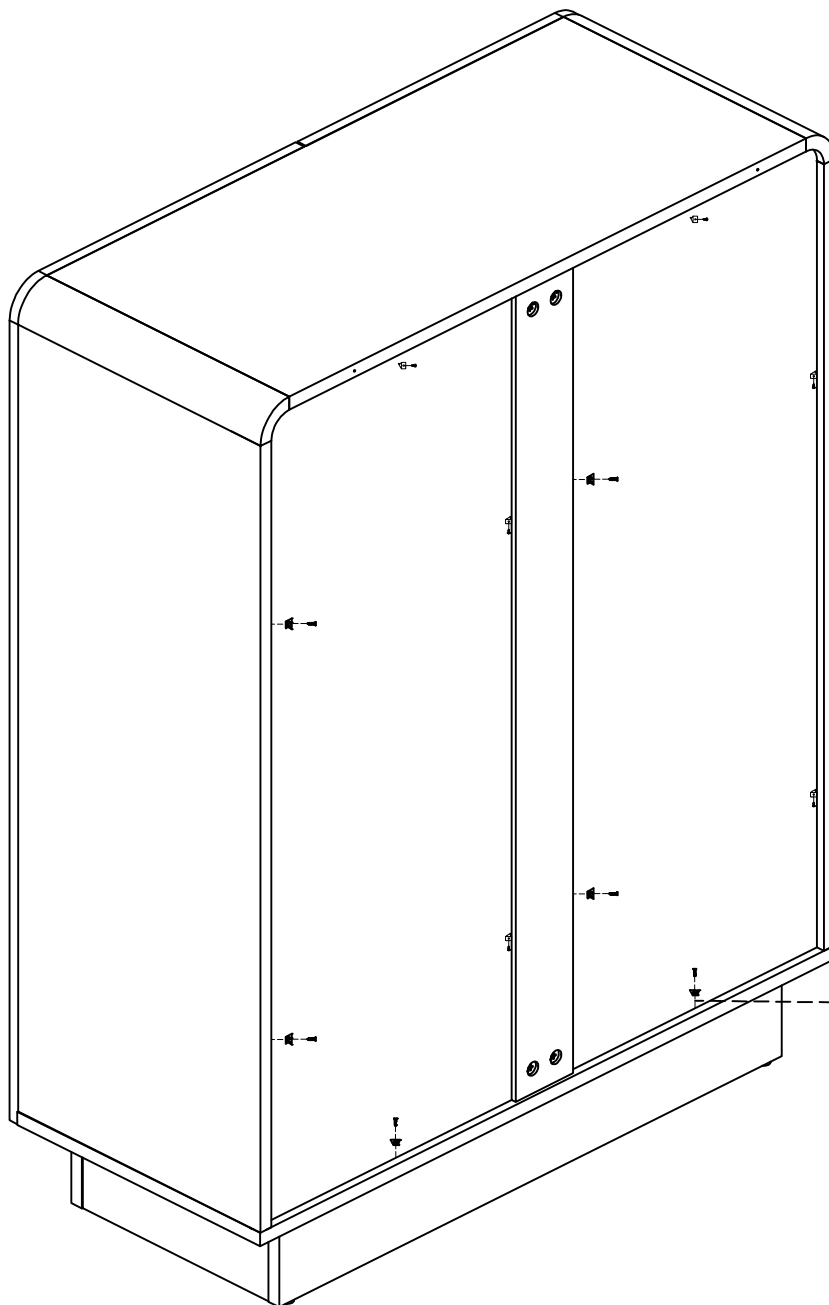
STEP 16**Bx8****Cx4****STEP 17****Fx8**

STEP 18**Ex12****STEP 19****Gx6****Hx12**

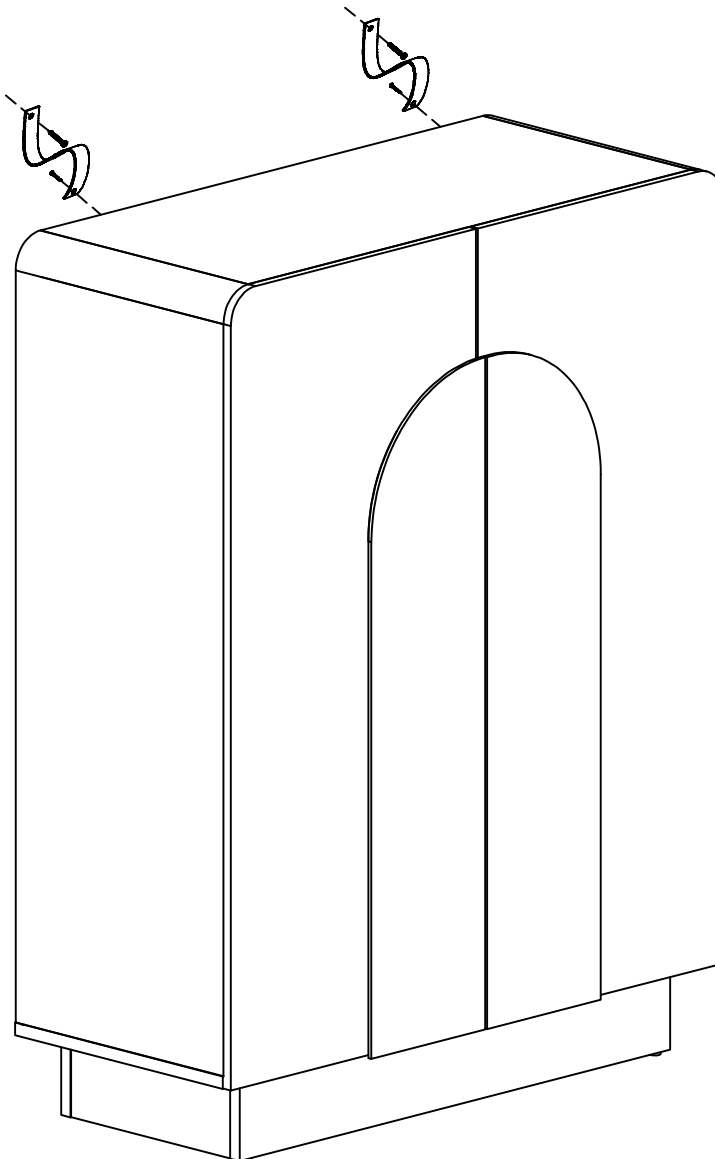
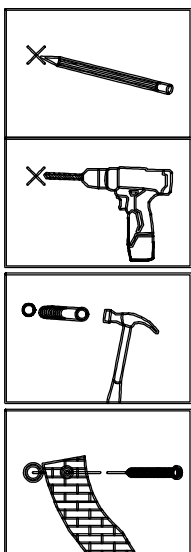
STEP 20

**Hx24**

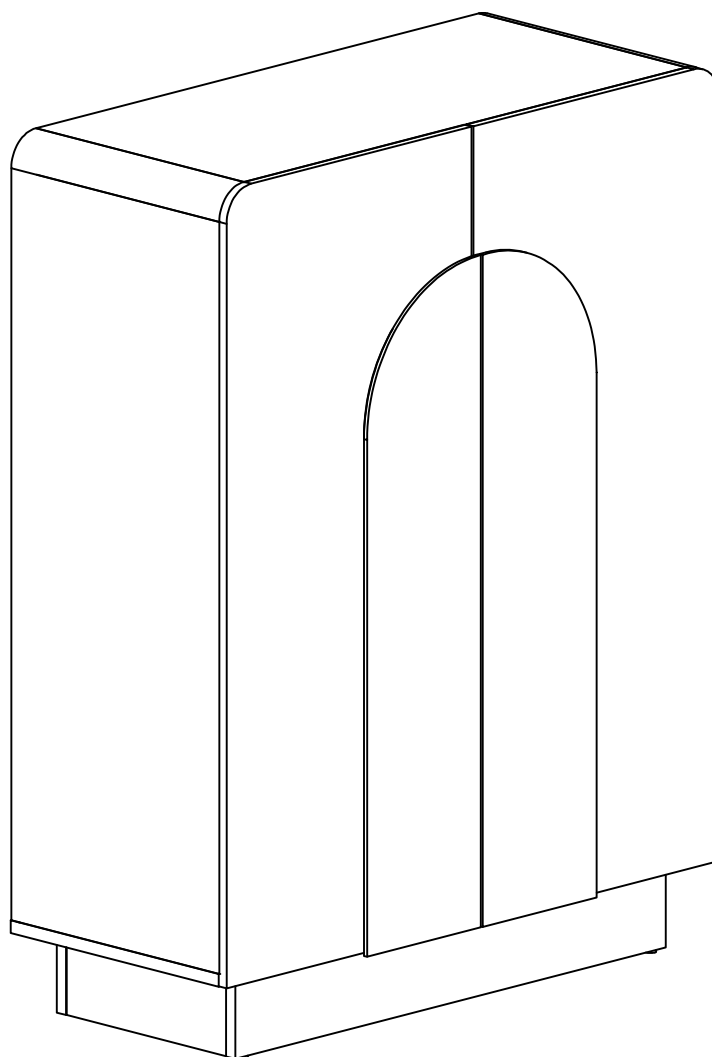


STEP 21**Ix12****Jx12**

STEP 22



STEP 23

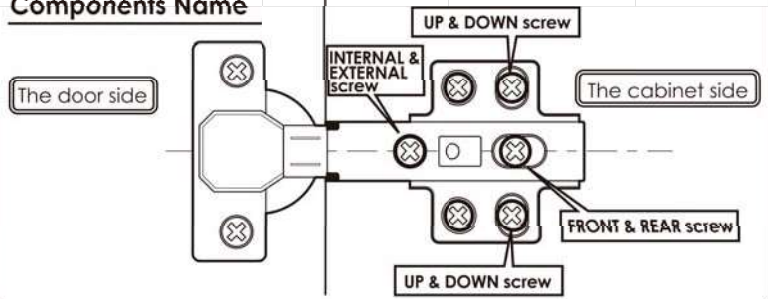


assemble finished

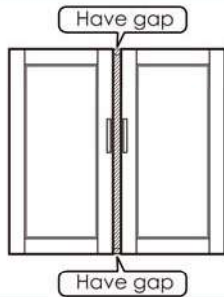
The ways to adjust the door

- Before adjusting the hinge, please check whether the cabinet is skewed.
- If the skew can not be repaired, please remove the anti-tipping device first, then adjust the cabinet to vertical position.
- Please adjust the hinge with the door open.
- Please operate it with more than 2 people, one person holds the door and the other one adjusts the screw.

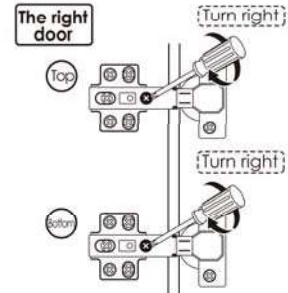
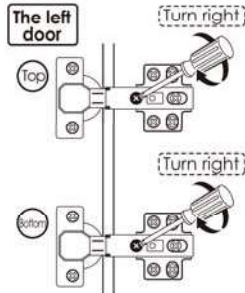
Components Name



Obvious gaps between doors or Doors don't look closed



- 1 Turn "internal & external screw" to the right can make the door approach inside. Please adjust the doors little by little.

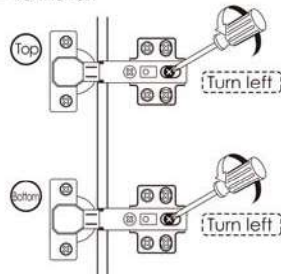


※ If the 2 doors are overlap, please turn the "internal & external screw" to the left.

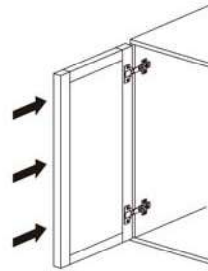
When door is crooked



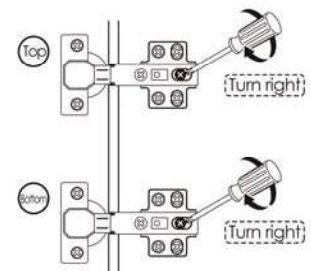
- 1 Rotate the "front and rear screws" to the left



- 2 Push the door to the cabinet



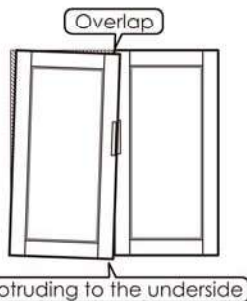
- 3 Rotate the "front and rear screws" to the right



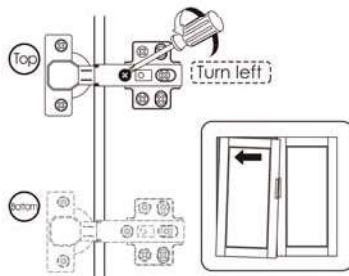
Please take the following steps to adjust first.

※ After adjusting the "front and rear screw", the door still does not change, please turn the "internal & external screw" to the right slightly.

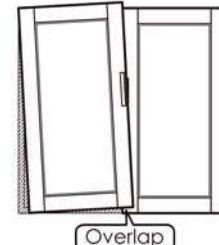
When door is leaning



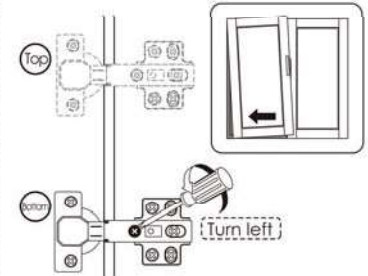
- 1 Turn "internal & external screw" to the left can make the top of the door tilted outward.



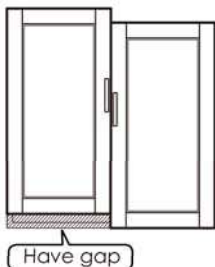
Protruding to the upside



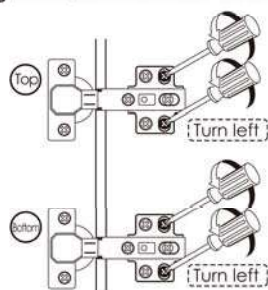
- 1 Turn "internal & external screw" to the left can make the bottom of the door tilted outward.



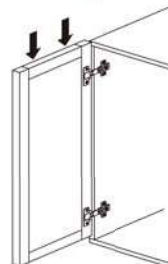
When the door is higher on top



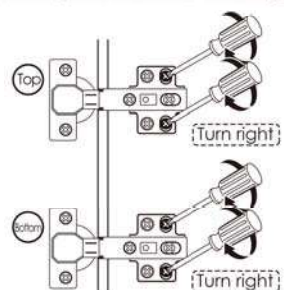
- 1 Turn "up & down screw" to the left



- 2 Lower the door's height so that 2 doors are of the same height.



- 3 Turn "up & down screw" to the right



※ If the door is lower on bottom, please lift up the left door slightly on step 2