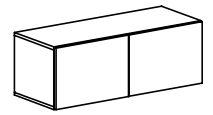
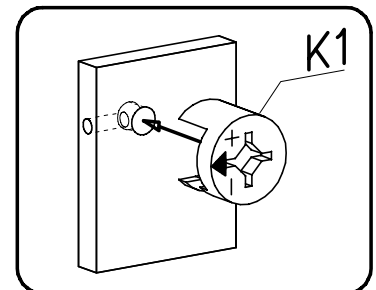
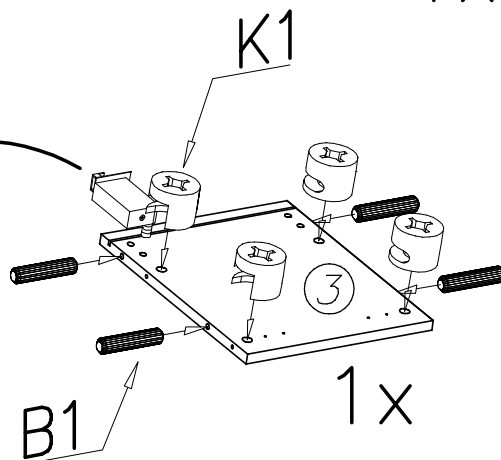
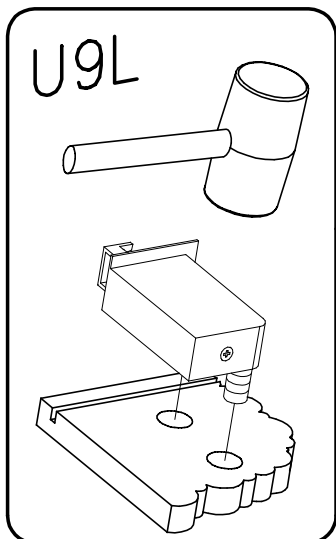
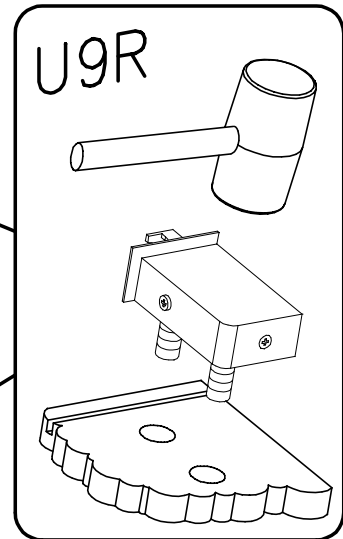
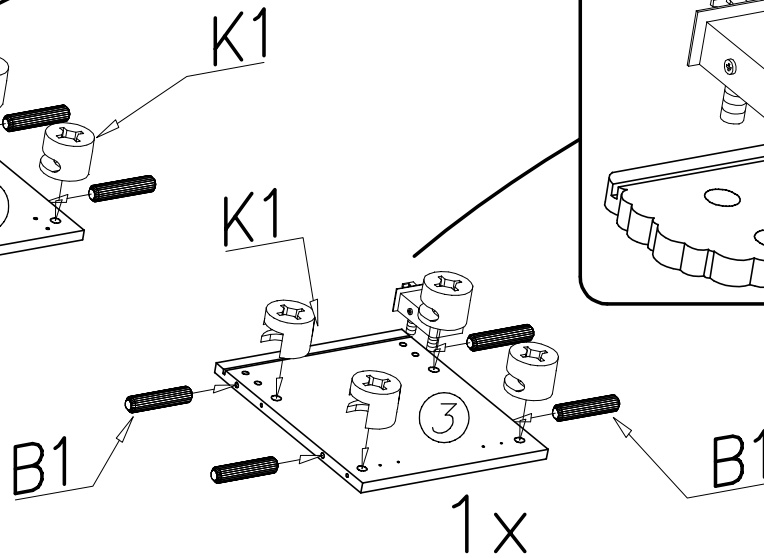
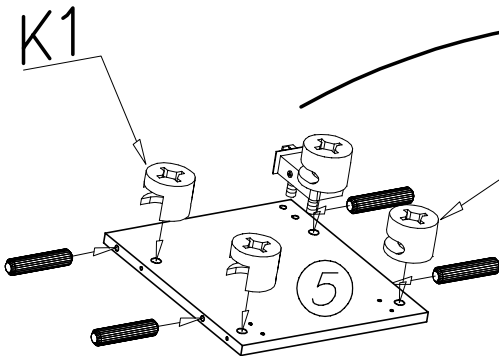
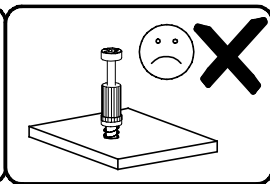
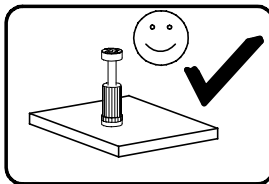
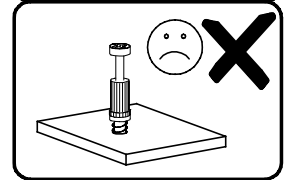
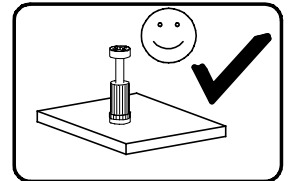
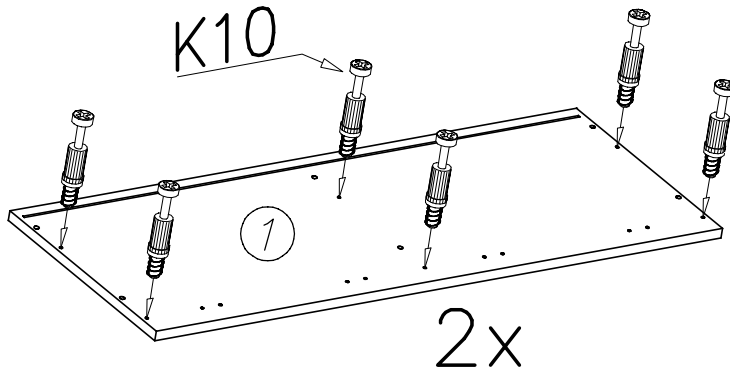
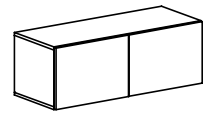


N7 M4x15 x...(2)	G32 3,5x16 x...(16)	I4 ø5 x...(4)	I10 ø10 x...(4)	L13 x...(2)
U9L x...(1)	U9R x...(2)	U10L x...(1)	U10R x...(2)	G57 3,5x16 x...(4)
K1 ø15x12 x...(12)	I7 x...(12)	I1 x...(6)	U7 x...(3)	U8 ø10x60 x...(3)
K10 x...(12)	B1 ø8x35 x...(12)	C3 Z35PR x...(4)	D3 PZ35PR x...(4)	G34 3,5x16 x...(11)

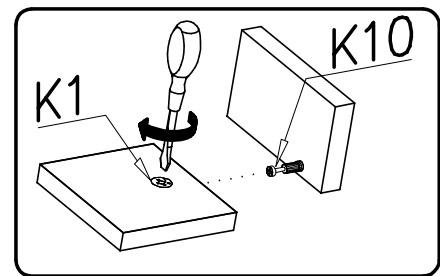
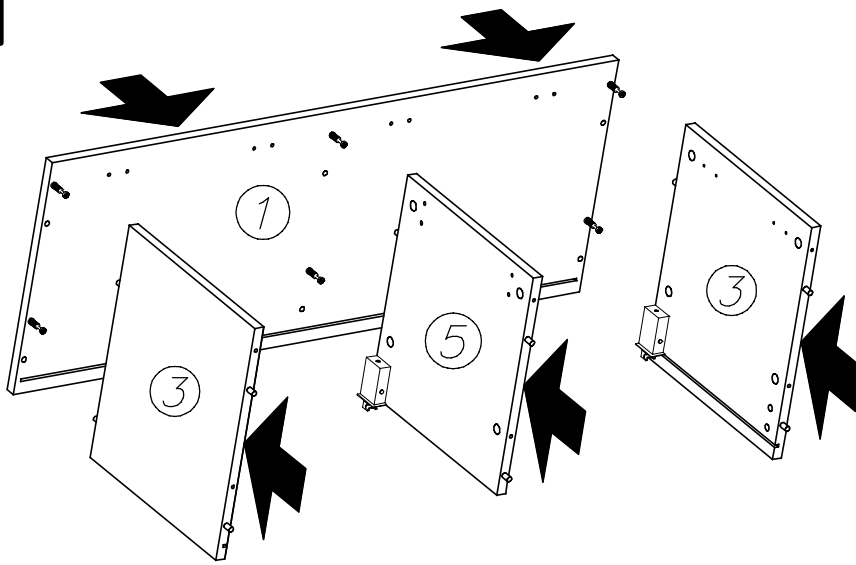


I

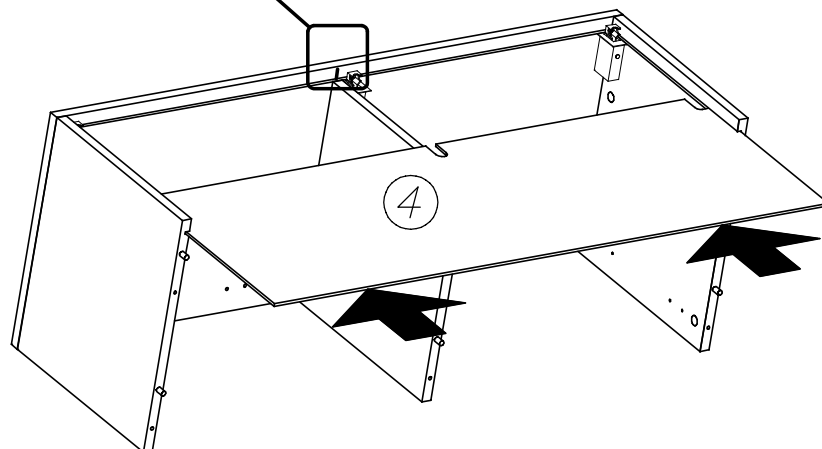
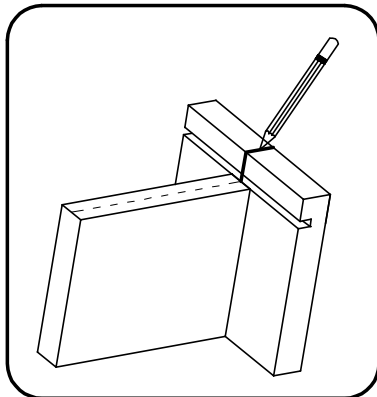


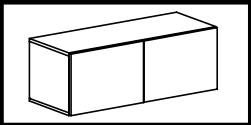


II

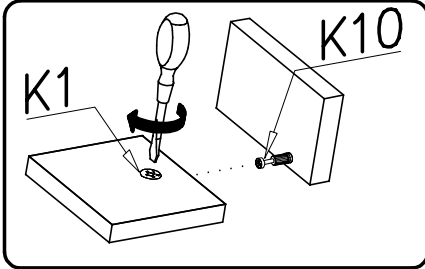
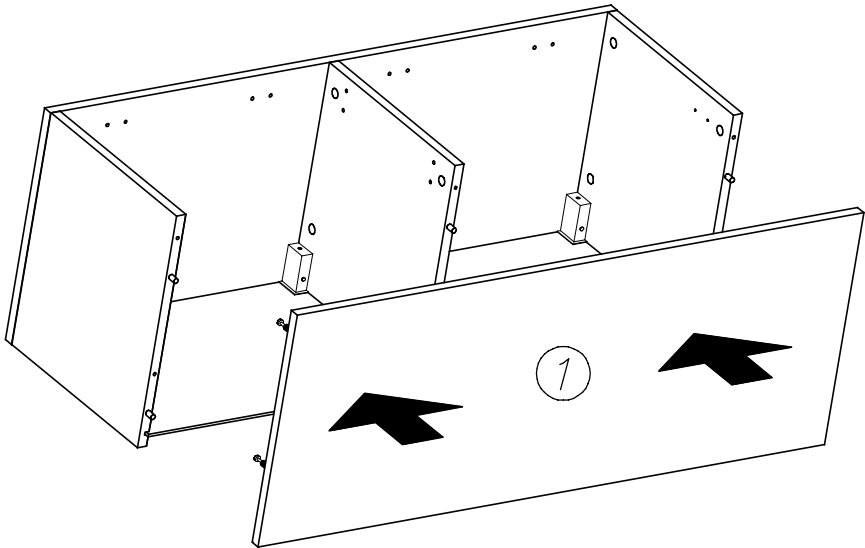


III

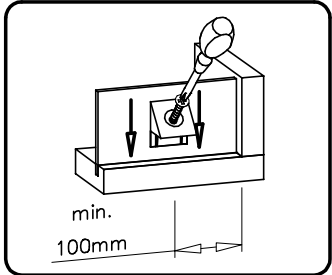
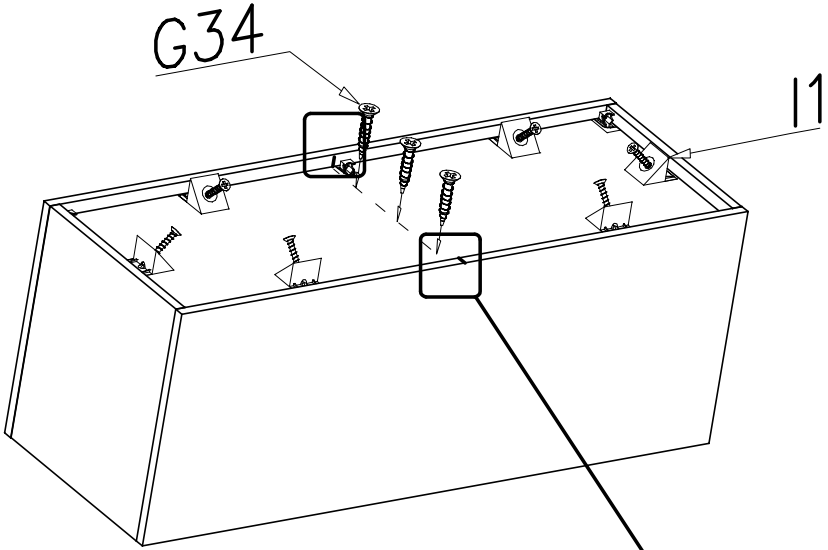




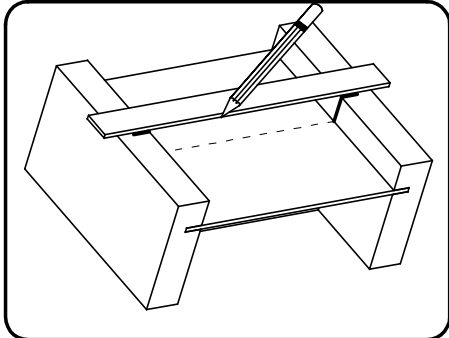
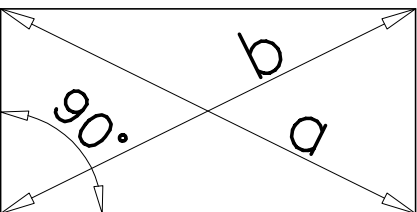
IV

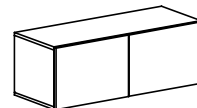


V

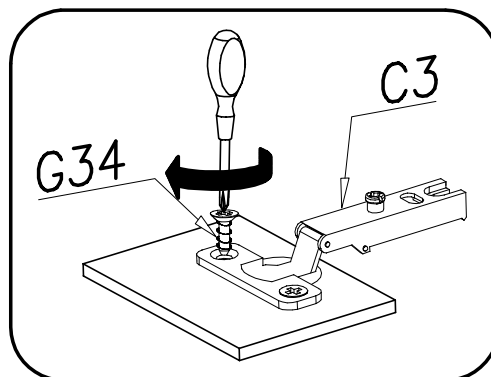
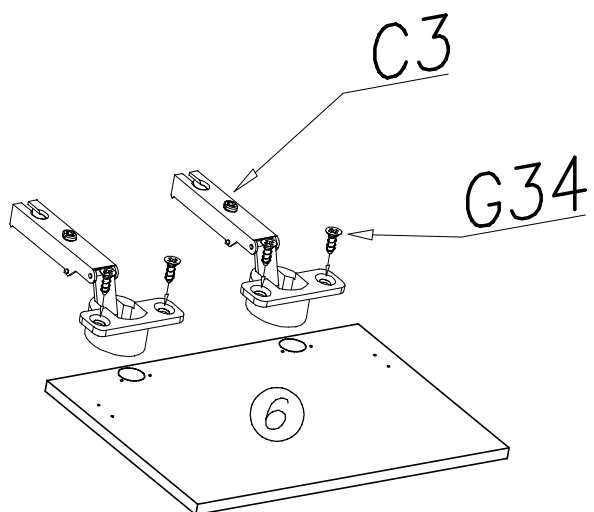


$a = b$

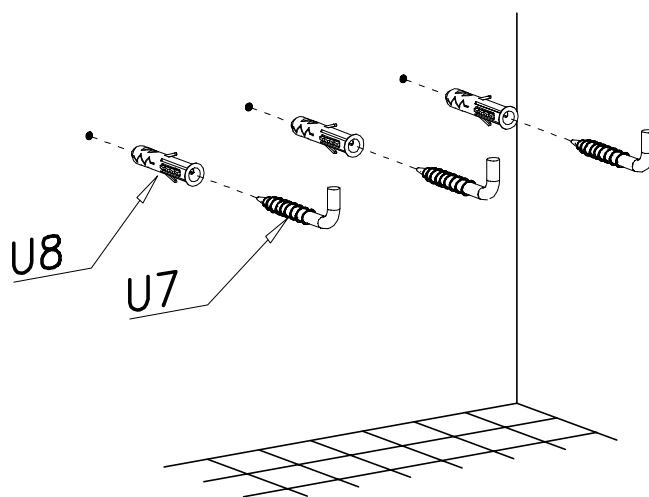
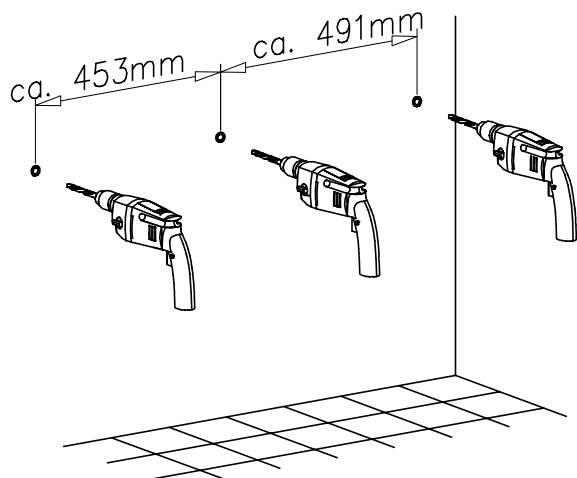
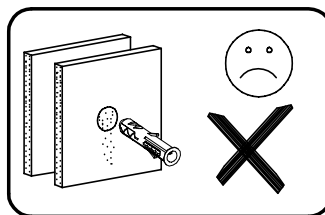
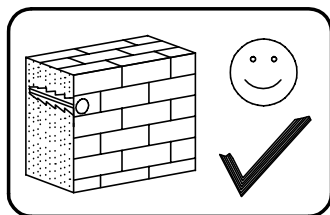


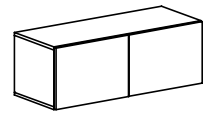


VI

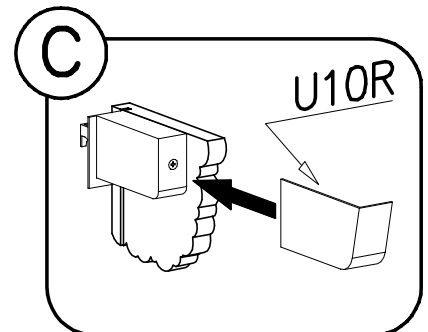
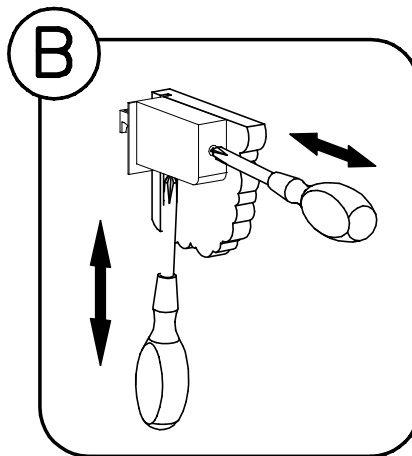
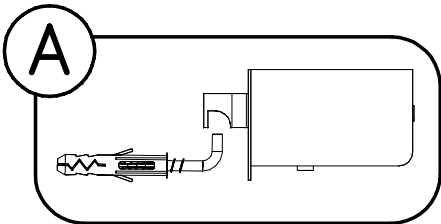
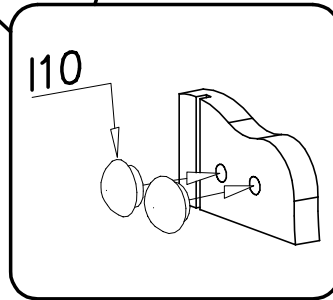
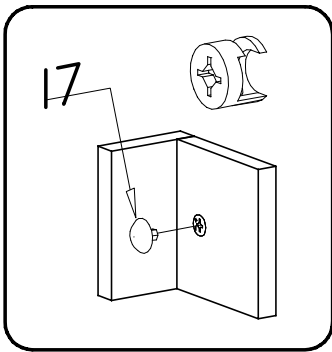
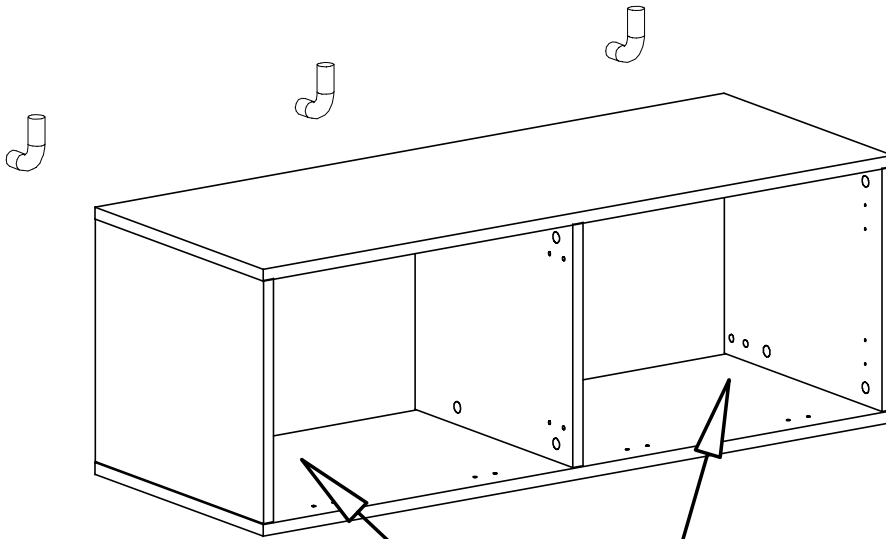


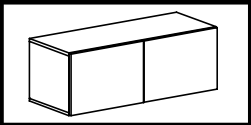
VII



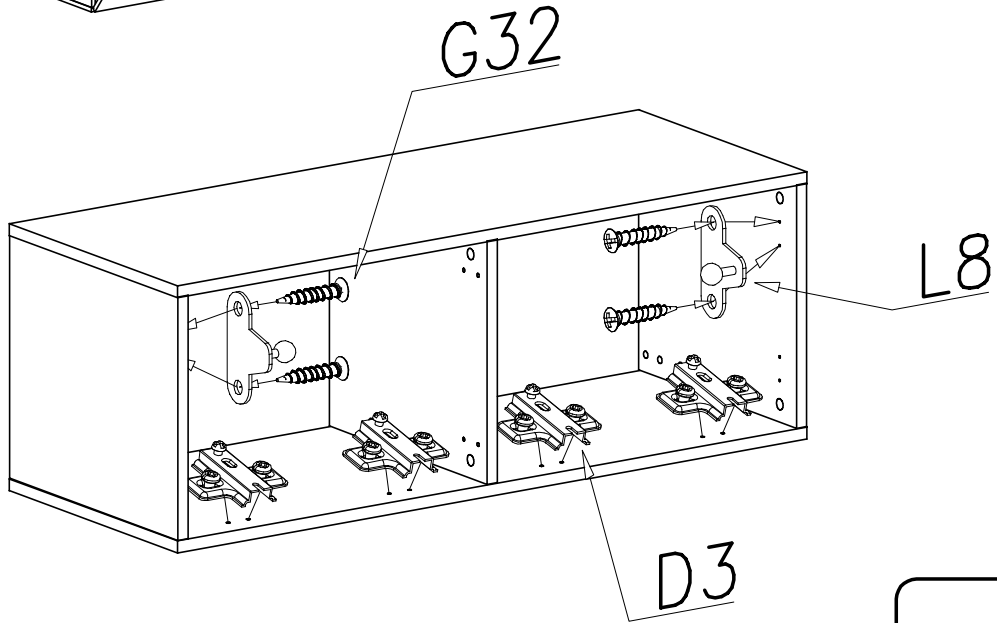
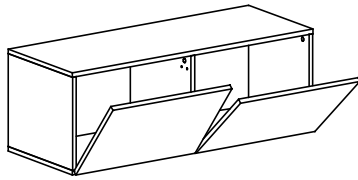


VIII

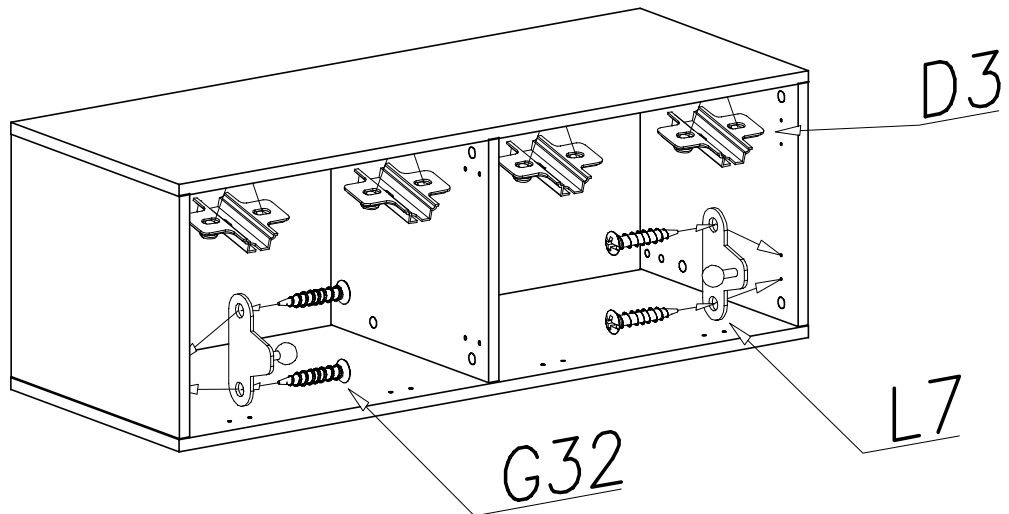
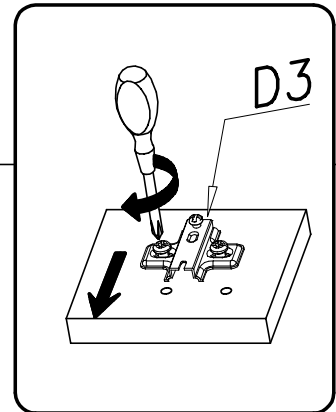
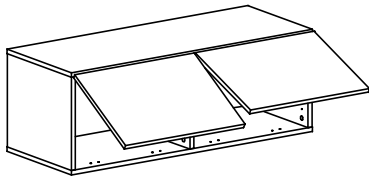


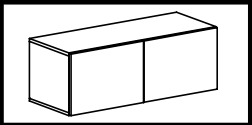


IX

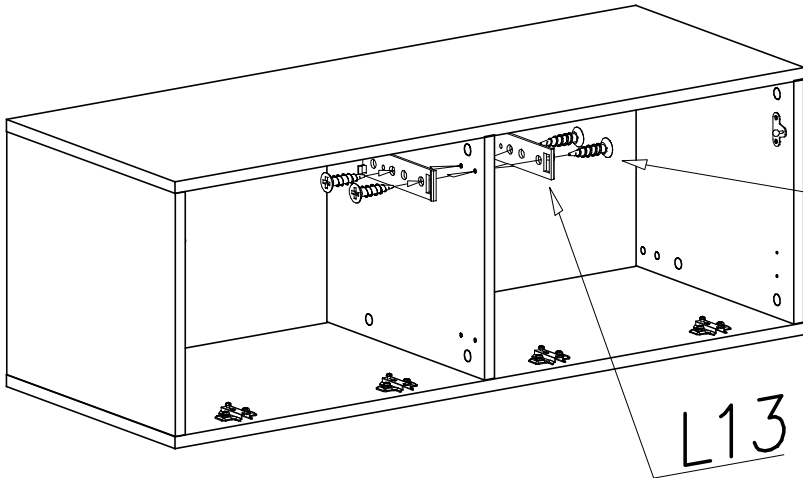
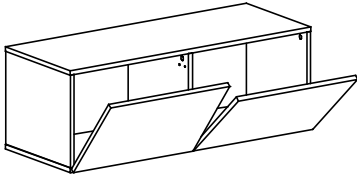


IX



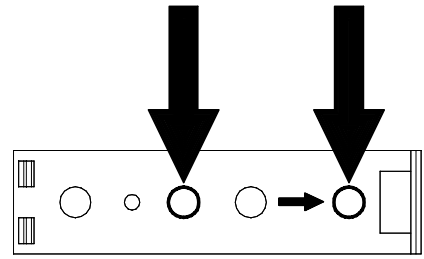


X



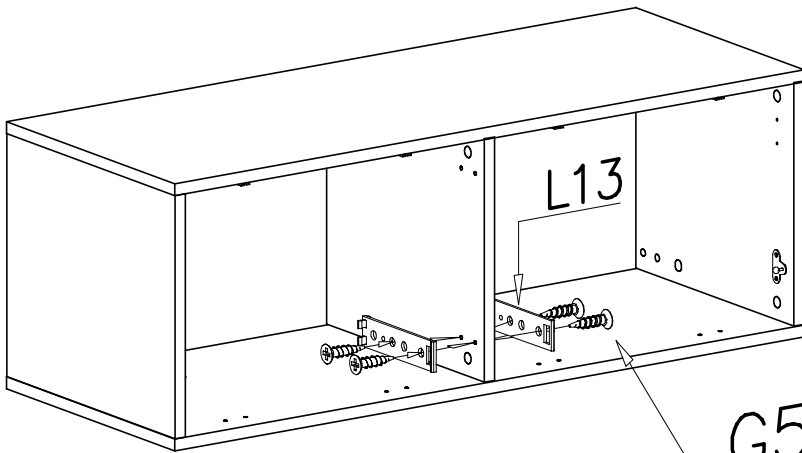
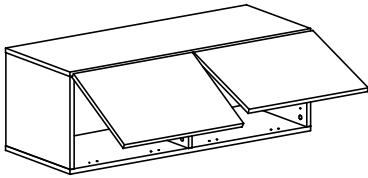
G57

L13

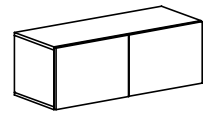


front

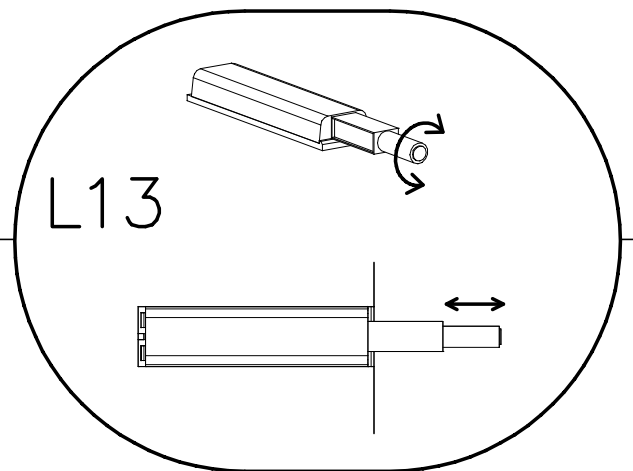
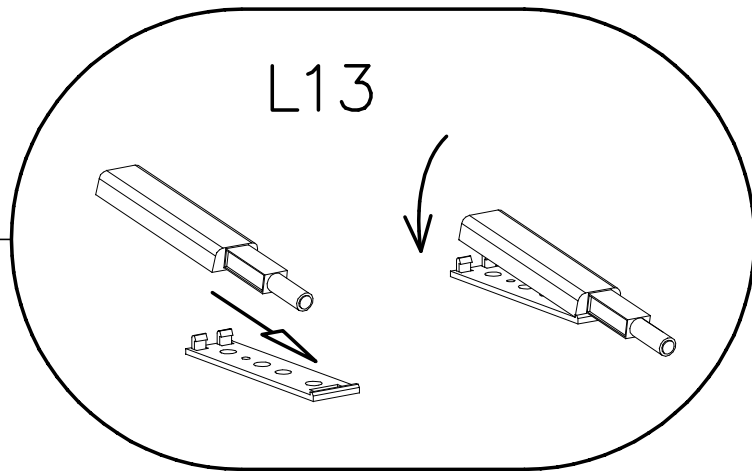
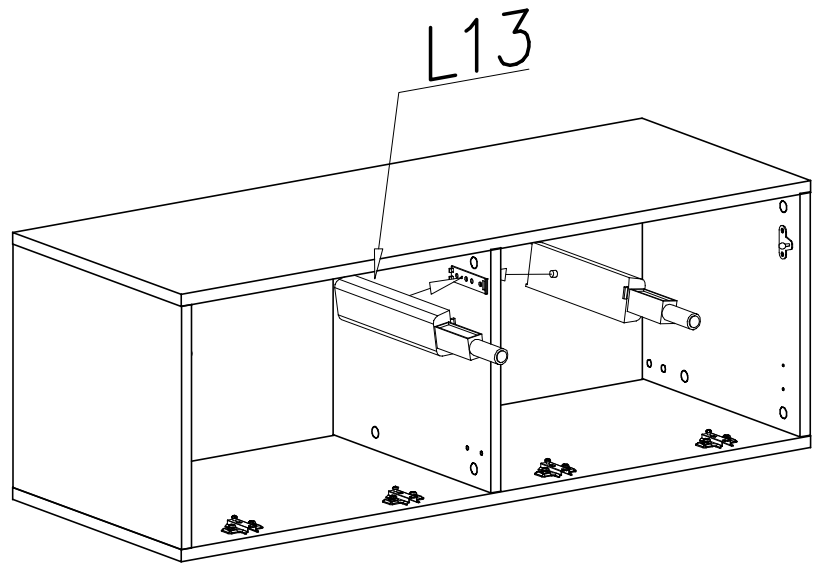
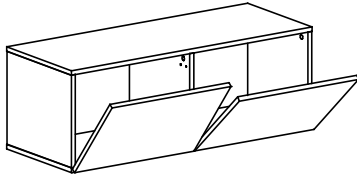
X



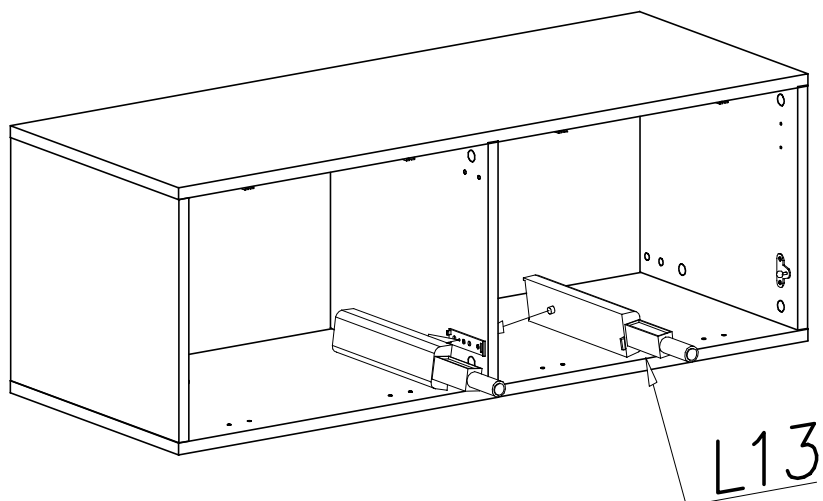
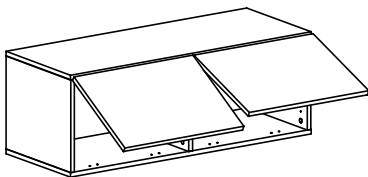
G57

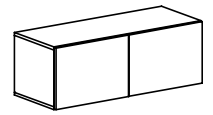


XI

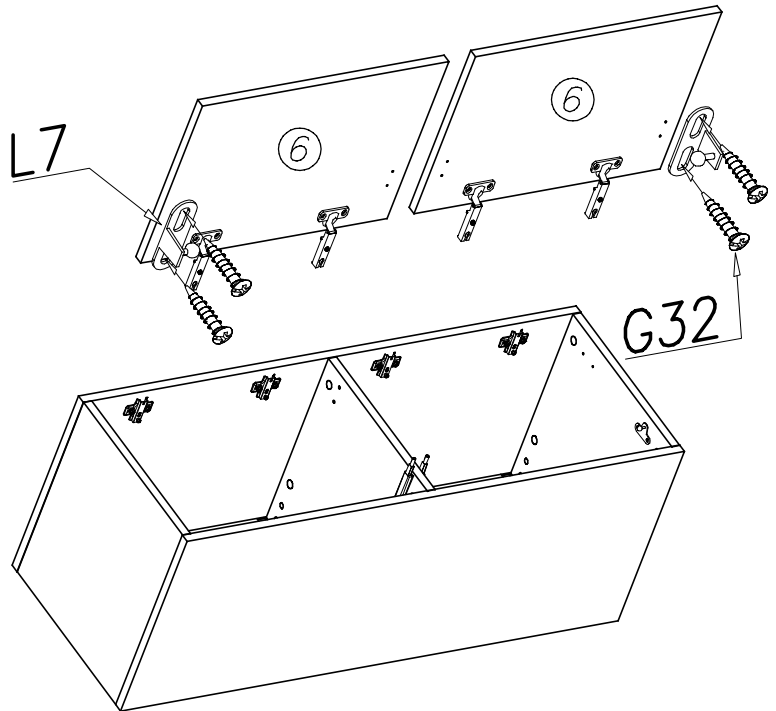
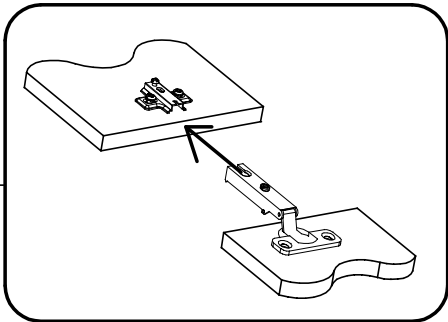
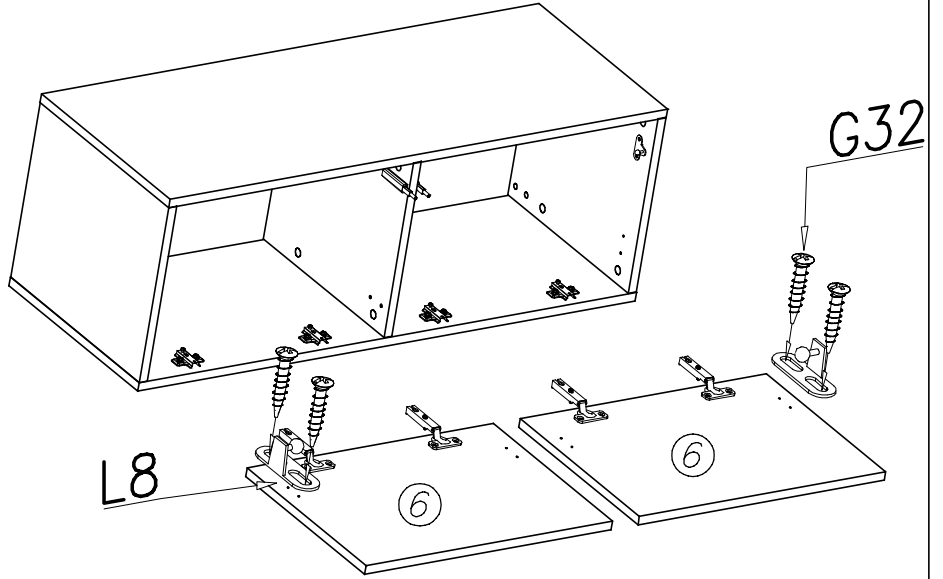
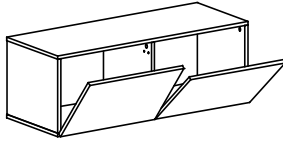


XI

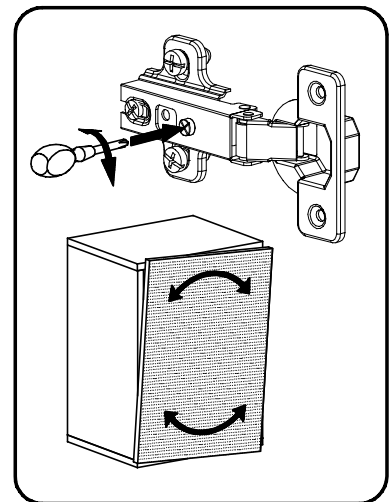
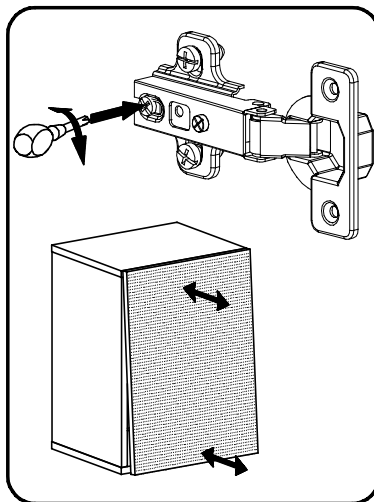
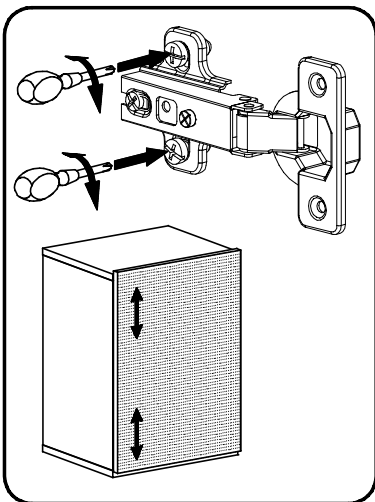
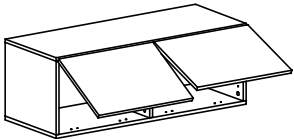


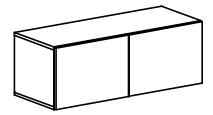


XII

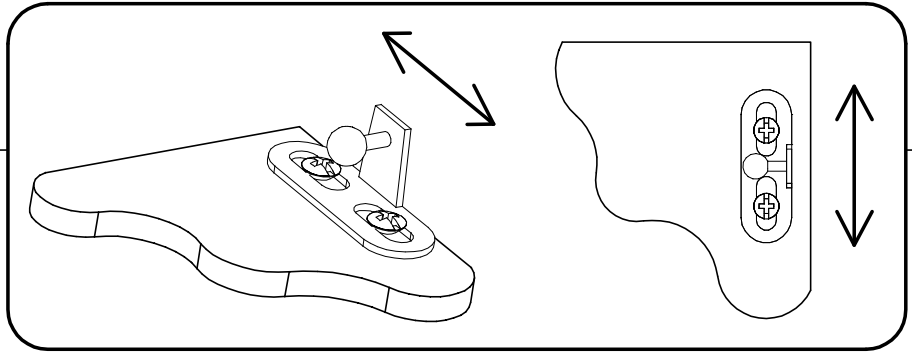
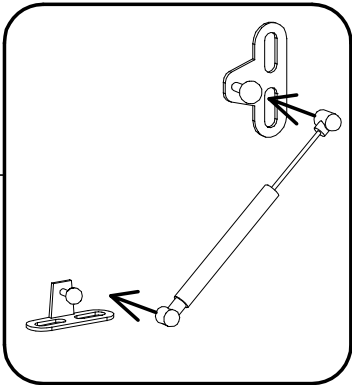
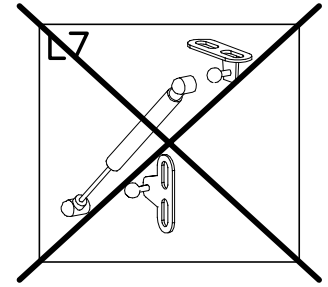
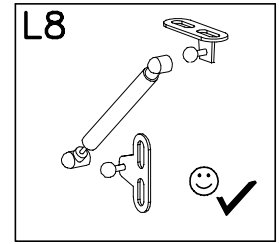
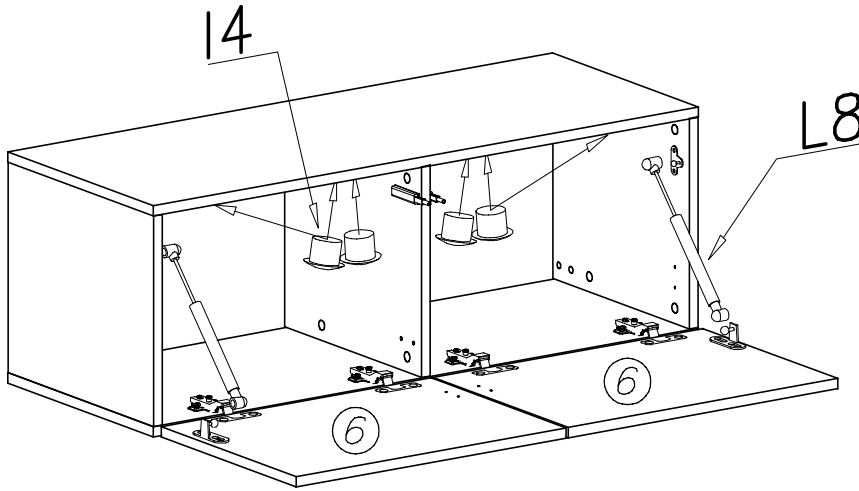
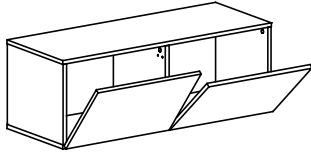


XII

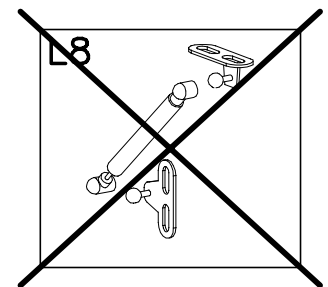
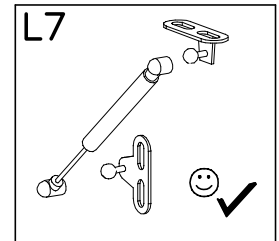
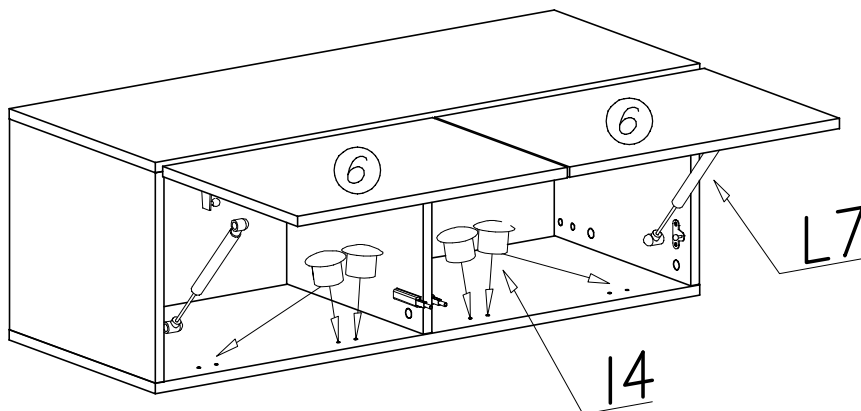
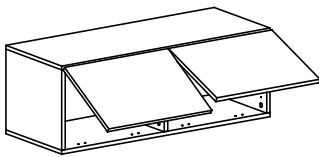


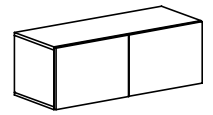


XIII

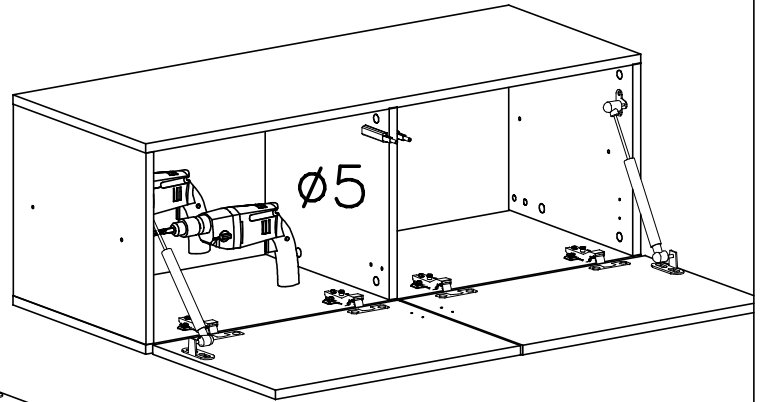
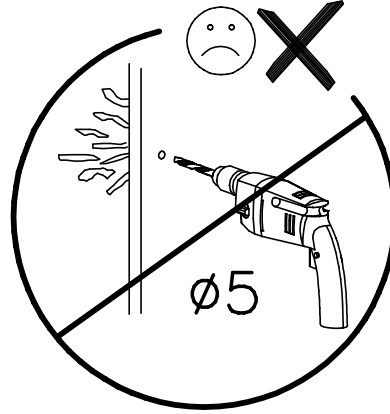
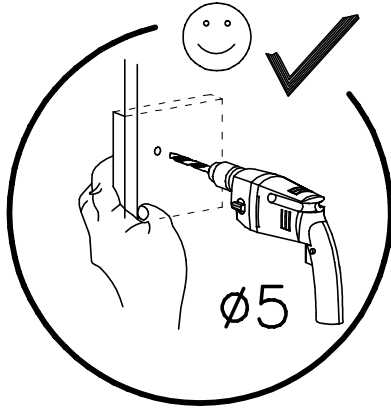


XIII





XIV



XV

