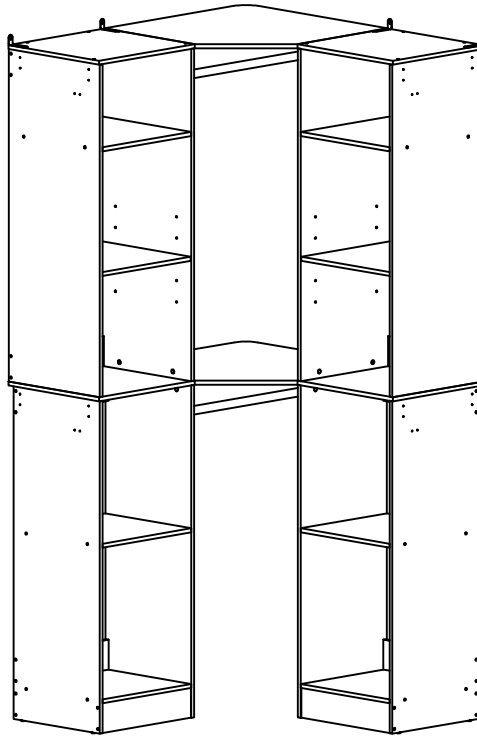


# Assembly Instructions

BO-YCG12S-CJZ1-V1.0



**Attention:** Please ensure you have all parts before commencing assembly.  
Please read all the instructions before commencing.

**Have problems when installing or missing parts?  
Please call for replacement parts or assistance: 1-315-888-6633.  
Mon-Fri 9am-5pm (PST)**

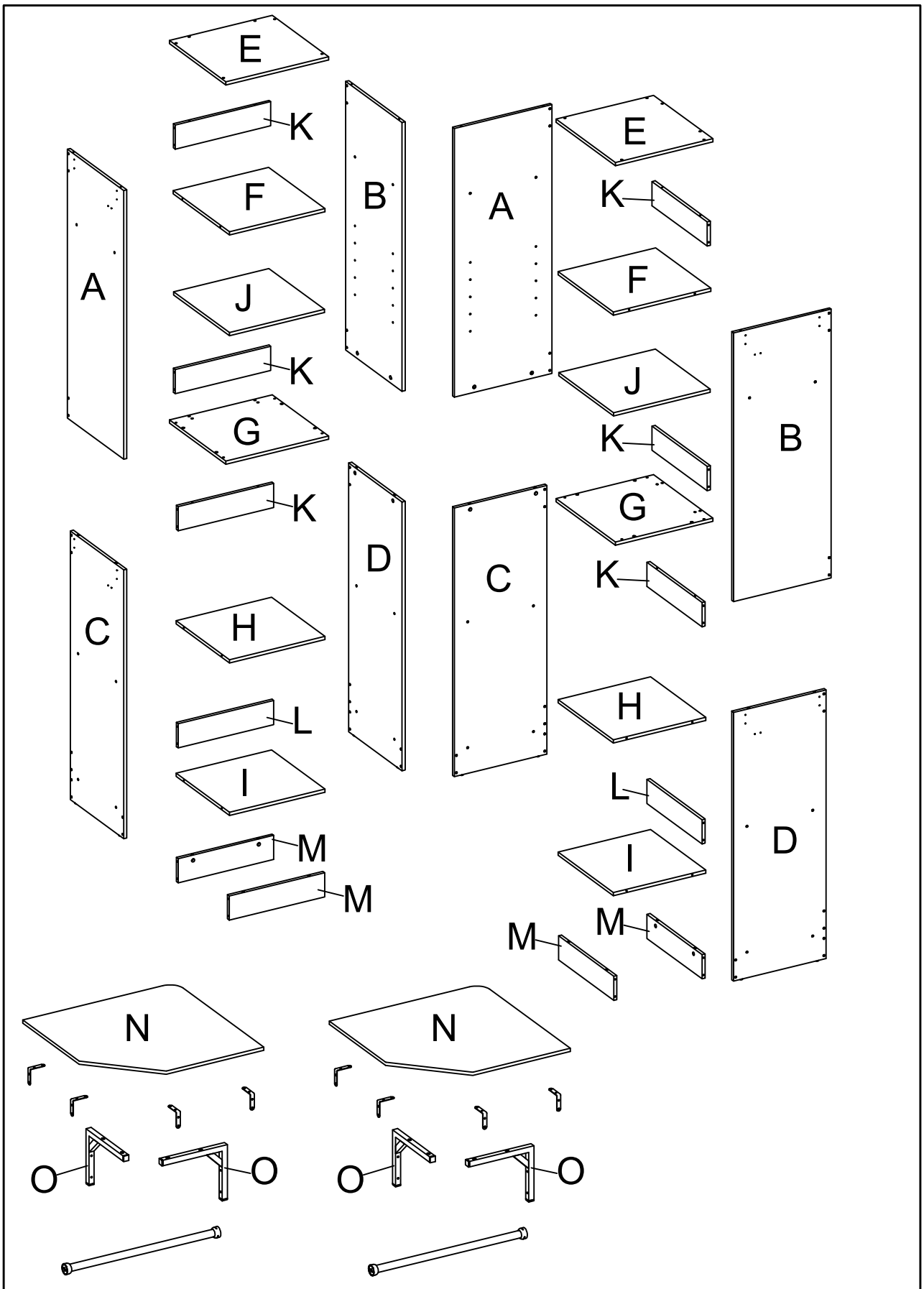
## How to find us?

 [homefursp@hotmail.com](mailto:homefursp@hotmail.com)

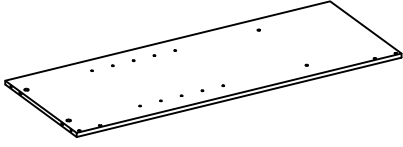
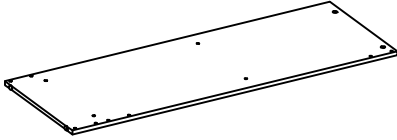
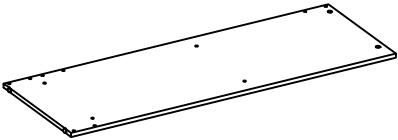
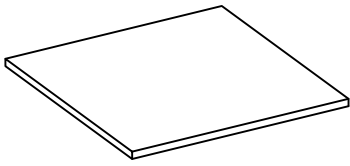
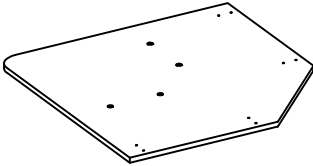
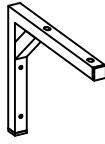


There are two packages for this closet, you may not receive them at the same time, please wait a few days if you only get one package.

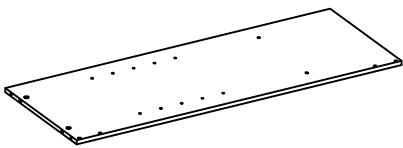
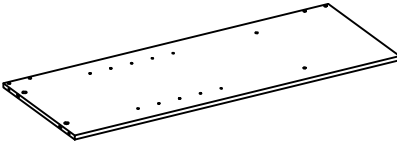
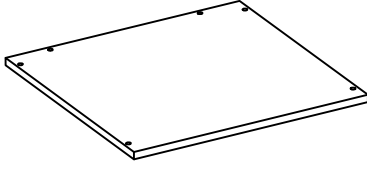
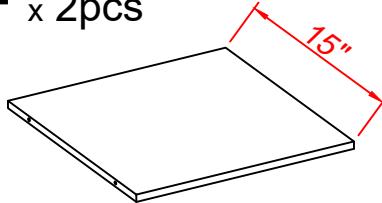
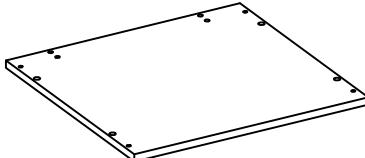
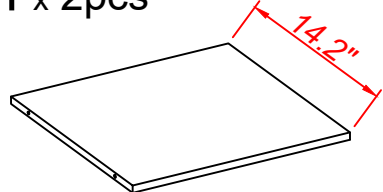
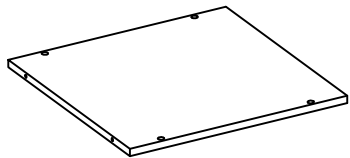
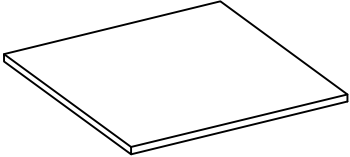
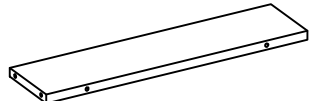
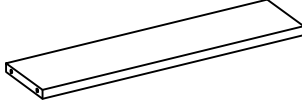
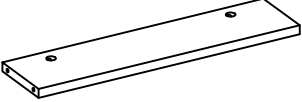
PART LIST



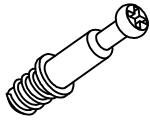

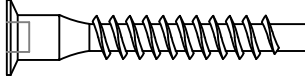

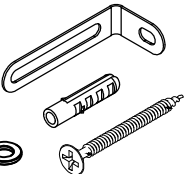
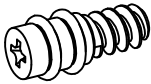
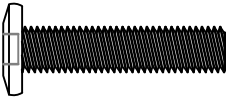
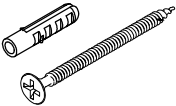

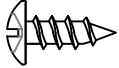




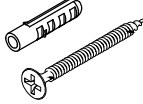
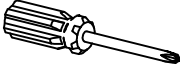
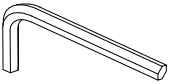
**PART LIST A**

<p><b>A x 1pc</b></p> 	<p><b>C x 2pcs</b></p> 	<p><b>D x 2pcs</b></p> 
<p><b>J x 1pc</b></p> 	<p><b>N x 2pcs</b></p> 	<p><b>O x 4pcs</b></p> 

**PART LIST B**

<p><b>A x 1pc</b></p> 	<p><b>B x 2pcs</b></p> 	<p><b>E x 2pcs</b></p> 
<p><b>F x 2pcs</b></p> 	<p><b>G x 2pcs</b></p> 	<p><b>H x 2pcs</b></p> 
<p><b>I x 2pcs</b></p> 	<p><b>J x 1pc</b></p> 	<p><b>K x 6pcs</b></p> 
<p><b>L x 2pcs</b></p> 	<p><b>M x 4pcs</b></p> 	

## HARDWARE LIST

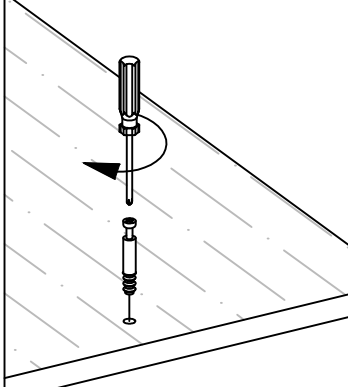
<p>①</p>  <p>M6x28      24 pcs</p>	<p>②</p>  <p>Ø12      24 pcs</p>	<p>③</p>  <p>M6x40      92 pcs</p>	<p>④</p>  <p>M6x30      8 pcs</p>
<p>⑤</p>  <p>M4x40      4 pcs</p>	<p>⑥</p>  <p>M6x19      8 pcs</p>	<p>⑦</p>  <p>M6x27      8 pcs</p>	<p>⑧</p>  <p>M4x60      8 pcs</p>
<p>⑨</p>  <p>8 pcs</p>	<p>⑩</p>  <p>M4x12      32 pcs</p>	<p>⑪</p>  <p>Ø25x584      2 pcs</p>	<p>⑫</p>  <p>4 pcs</p>
<p>⑬</p>  <p>4 pcs</p>	<p>⑭</p>  <p>M4x12      4 pcs</p>	<p>⑮</p>  <p>M4x40      4 pcs</p>	<p>⑯</p>  <p>1 pc</p>
<p>⑰</p>  <p>M4      1 pc</p>			

\*Please count and verify all parts before assembly .\*

# How to install Camlocks

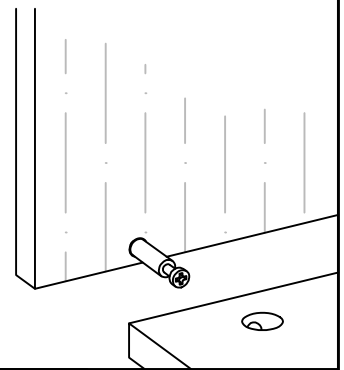
Connect the male camlock as directed in the assembly instructions with a screwdriver.

**1** DO NOT OVER TIGHTEN



Put the male camlock into the entry hole.

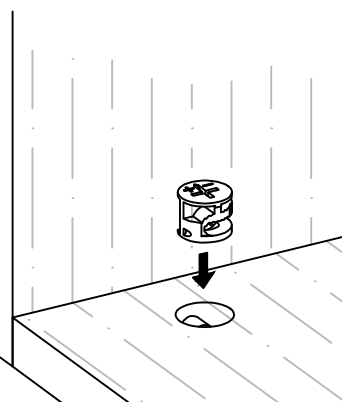
**2**



Insert the female camlock as shown in the instruction.

Note: ensure that the arrow on the top of the camlock points toward the entry hole for the male camlock.

**3**

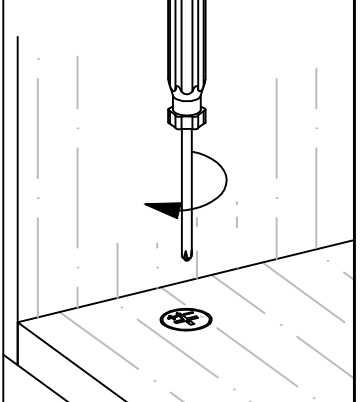


Screw the female camlock clockwise with a screwdriver.

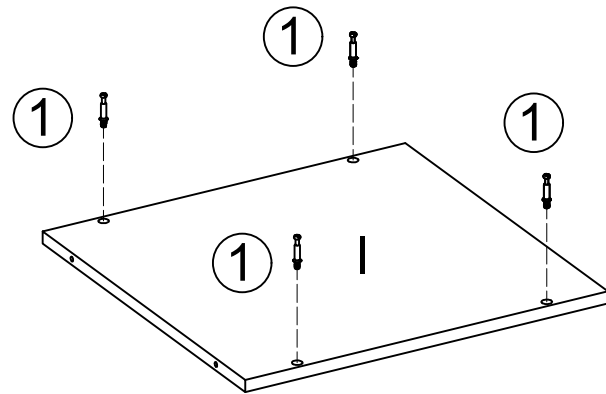
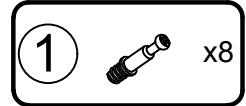
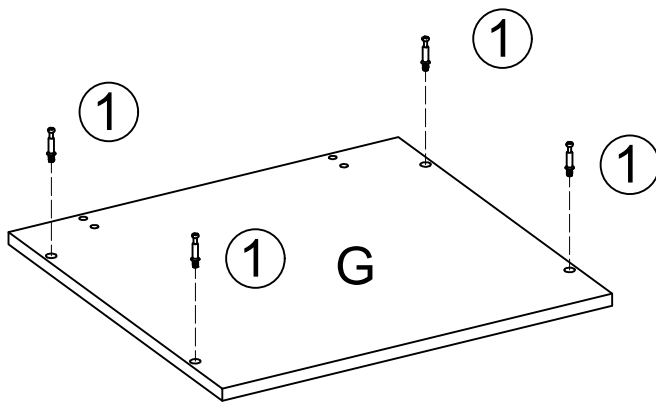
You will feel a click when the camlock is locked in place.

The camlock is now completed.

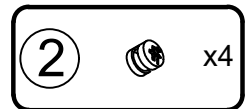
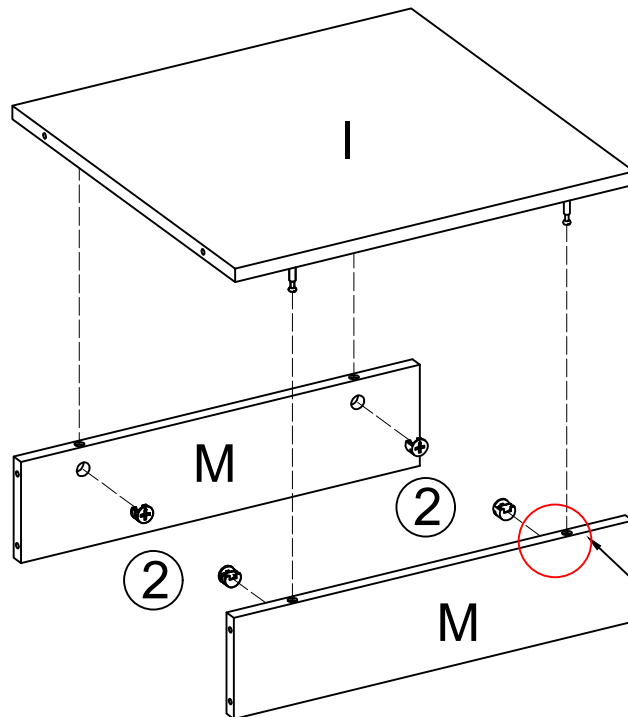
**4**



## STEP 1



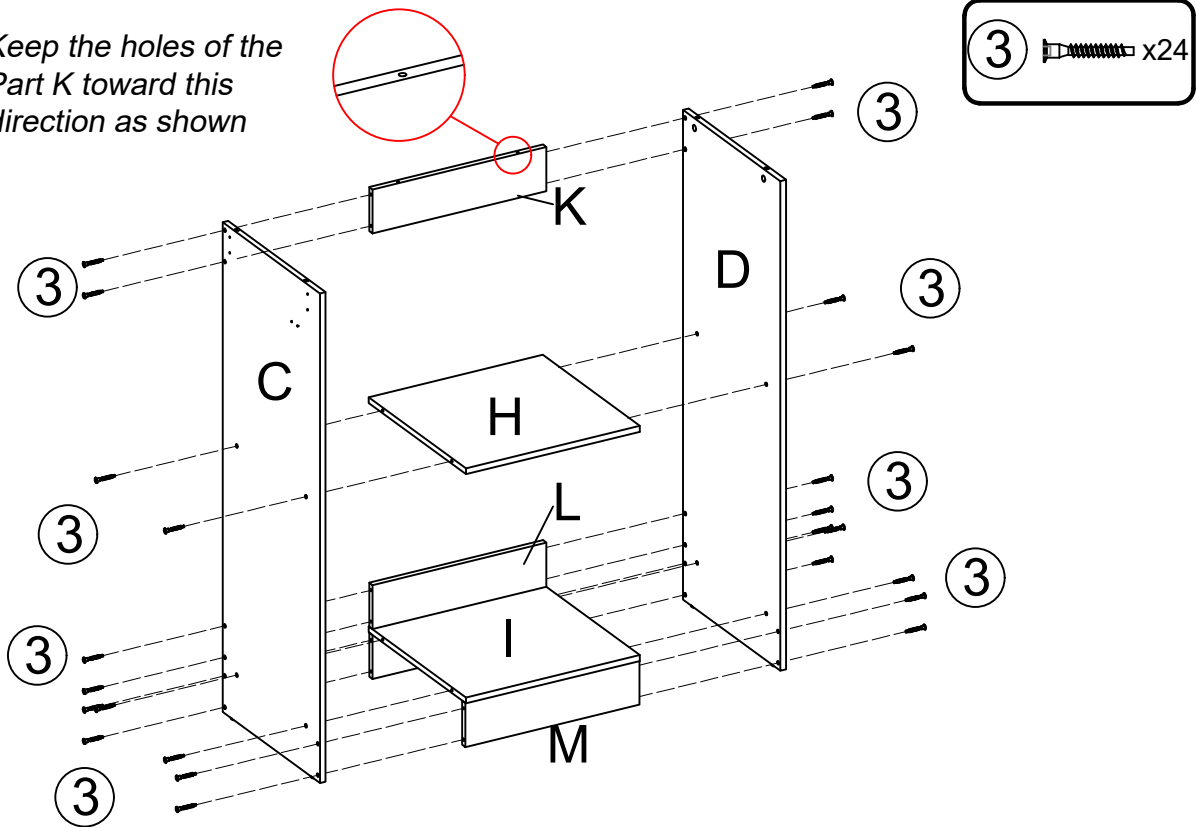
## STEP 2



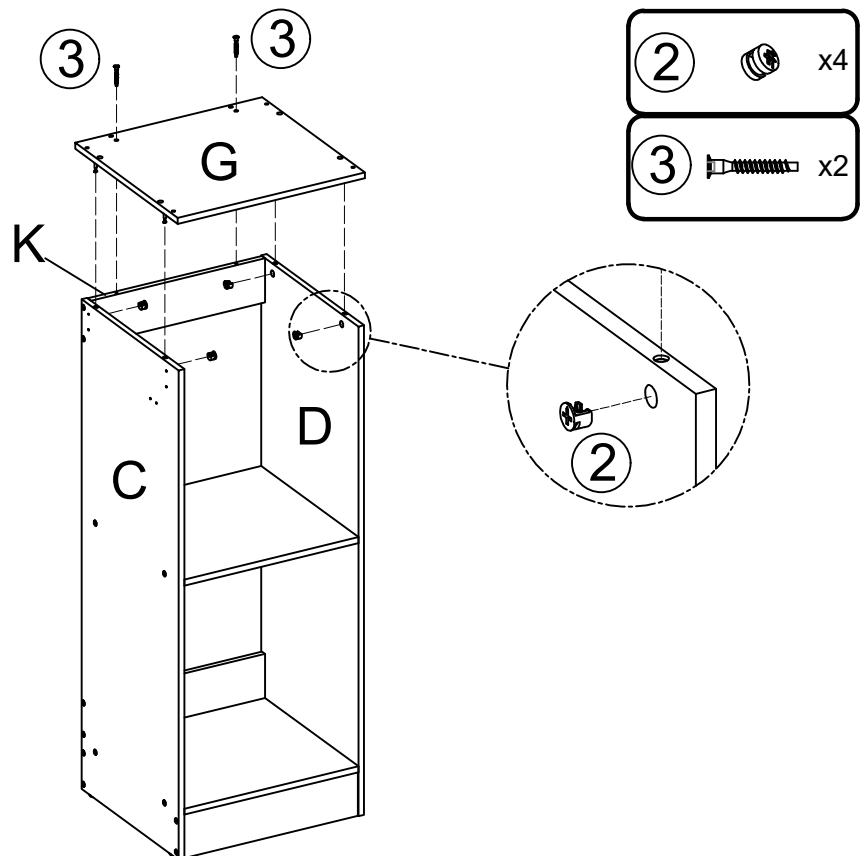
Keep the holes of the Part M toward this direction as shown

### STEP 3

Keep the holes of the Part K toward this direction as shown

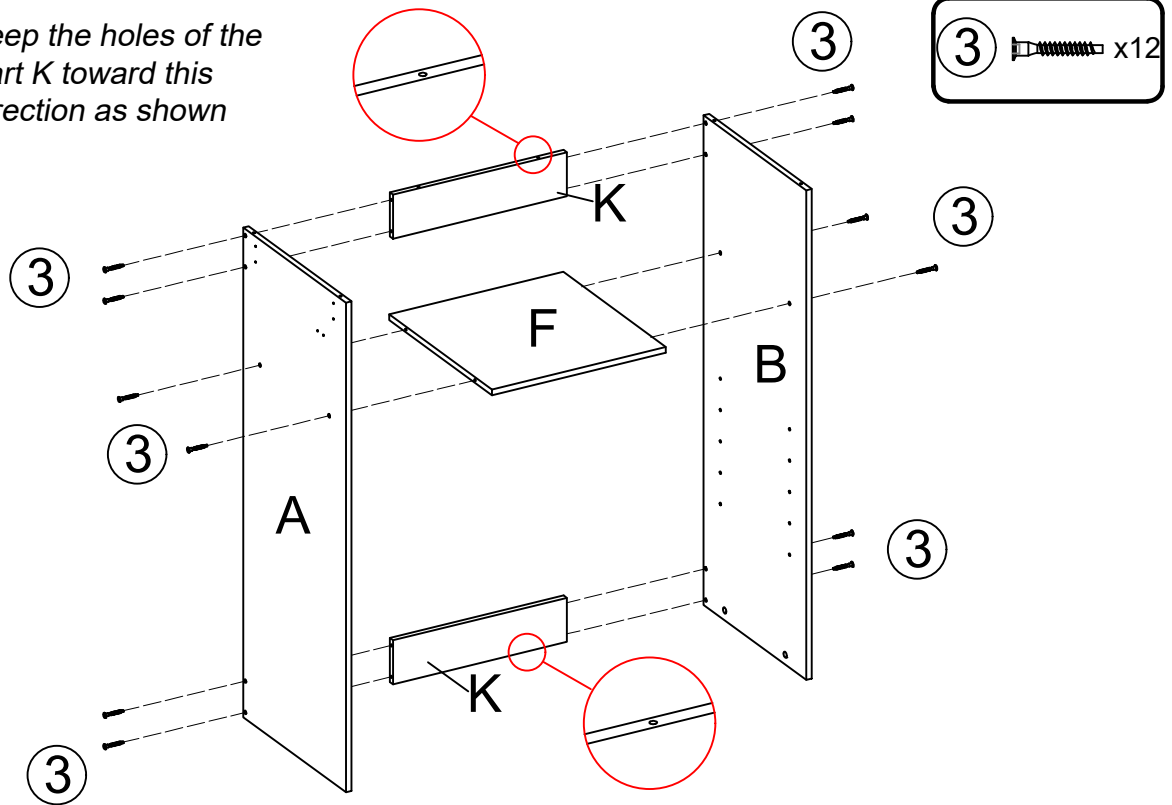


### STEP 4

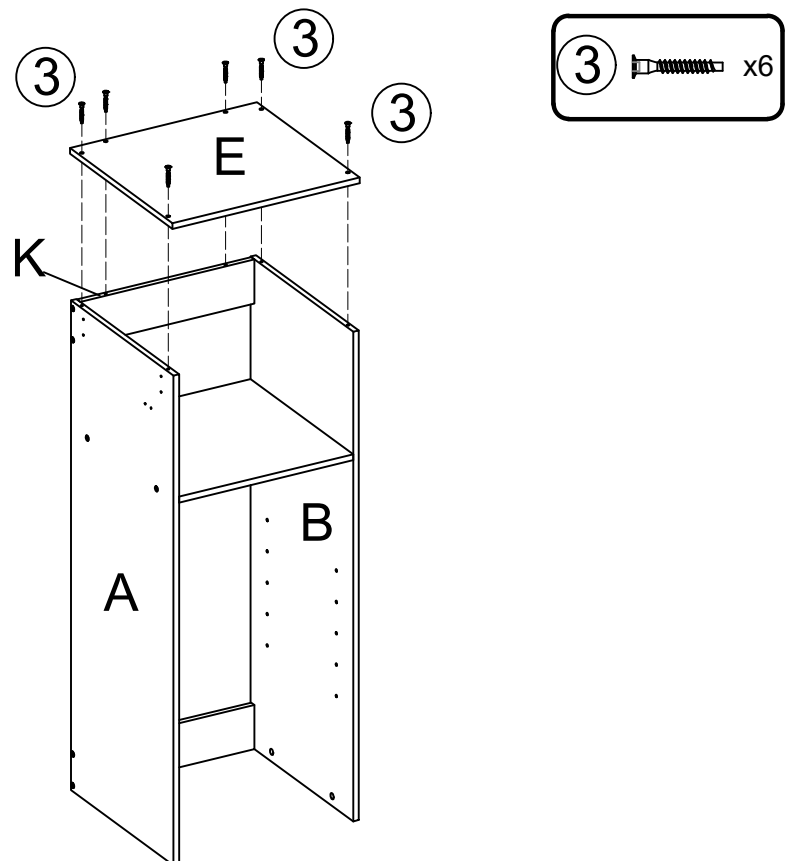


## STEP 5

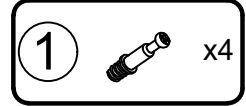
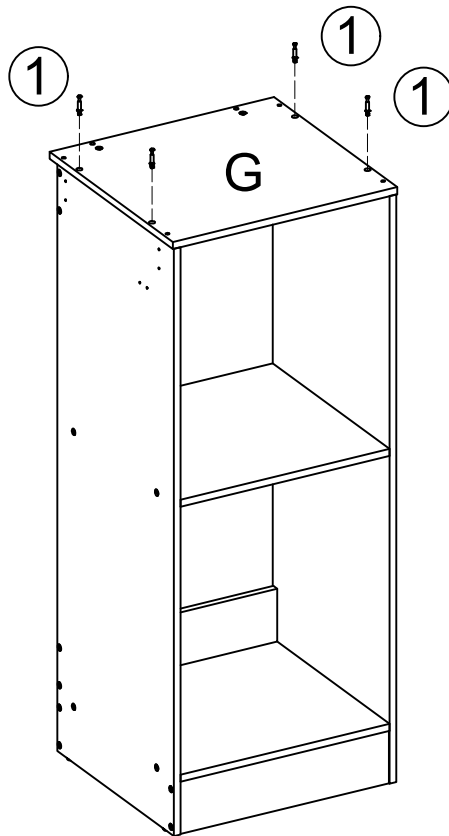
Keep the holes of the Part K toward this direction as shown



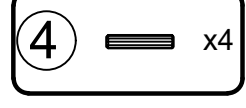
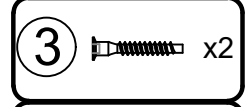
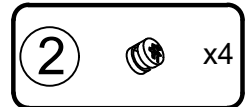
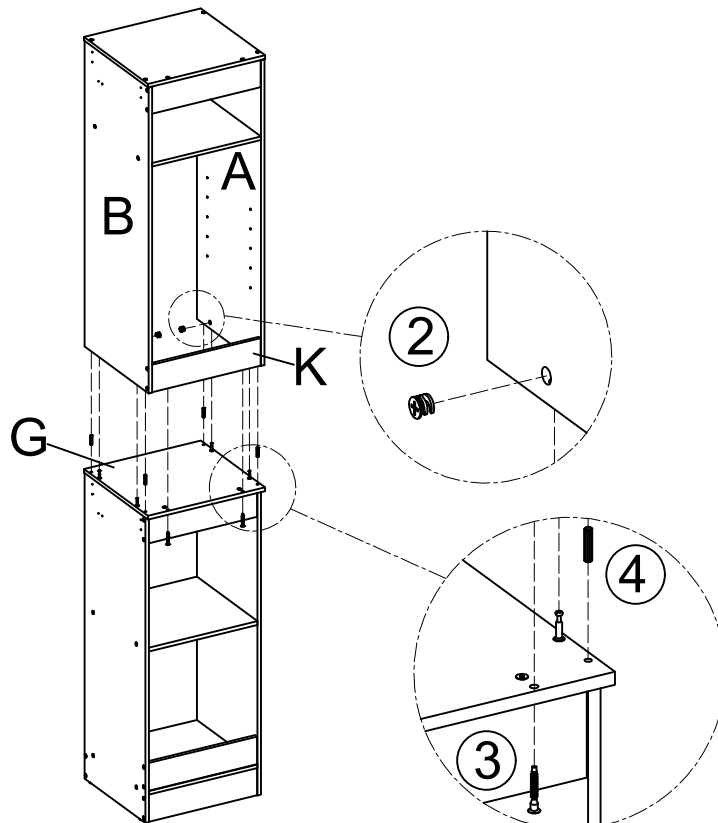
## STEP 6



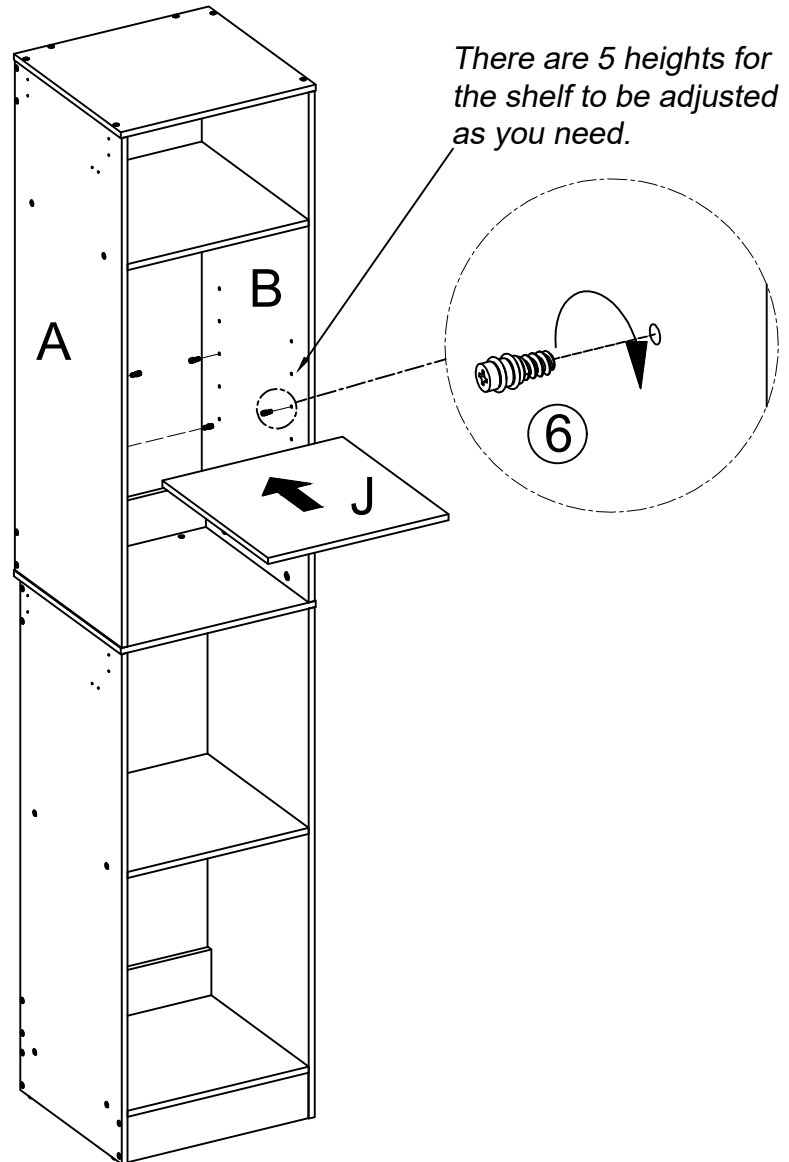
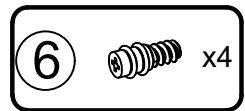
# STEP 7



# STEP 8



## STEP 9

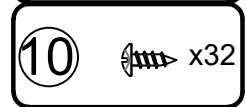
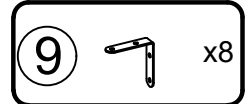
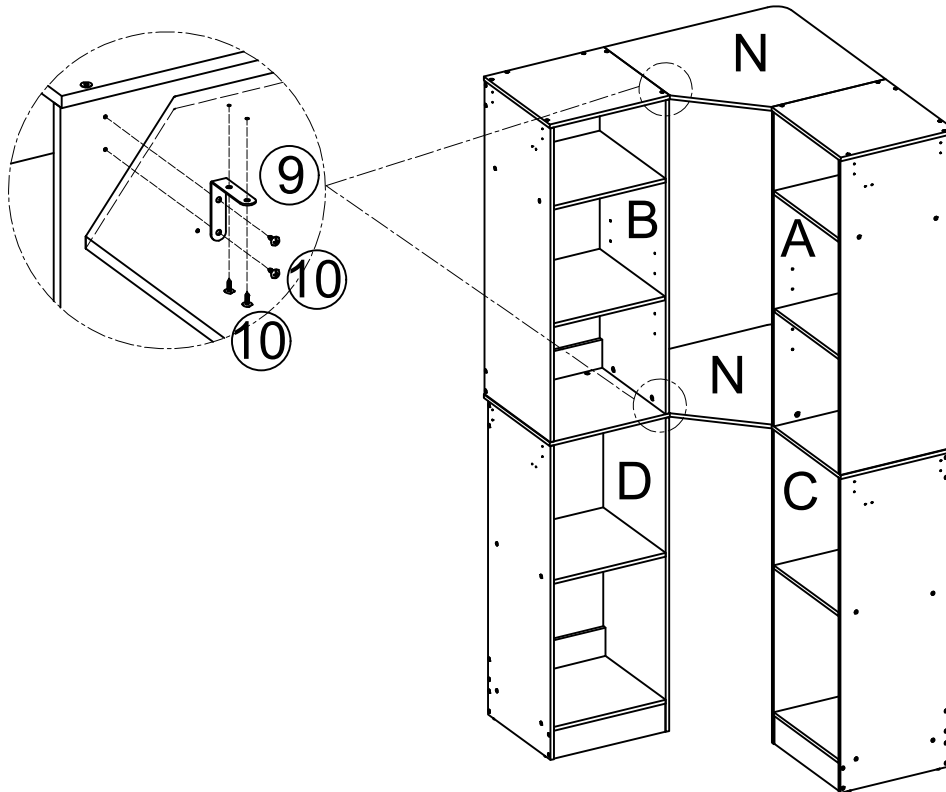


**NOTICE:**

The installation for all the two side closets is base on the 1-9 steps above.

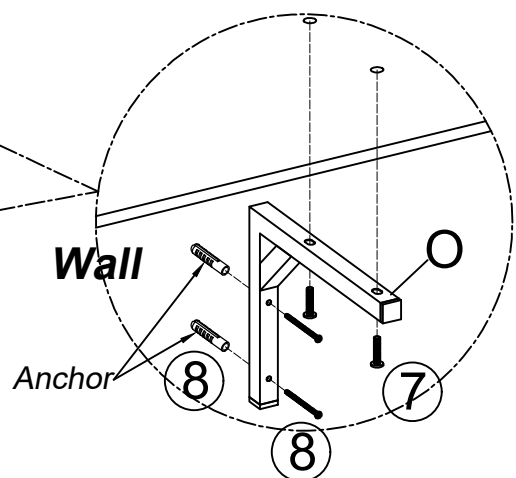
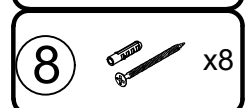
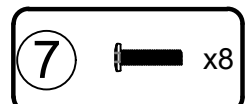
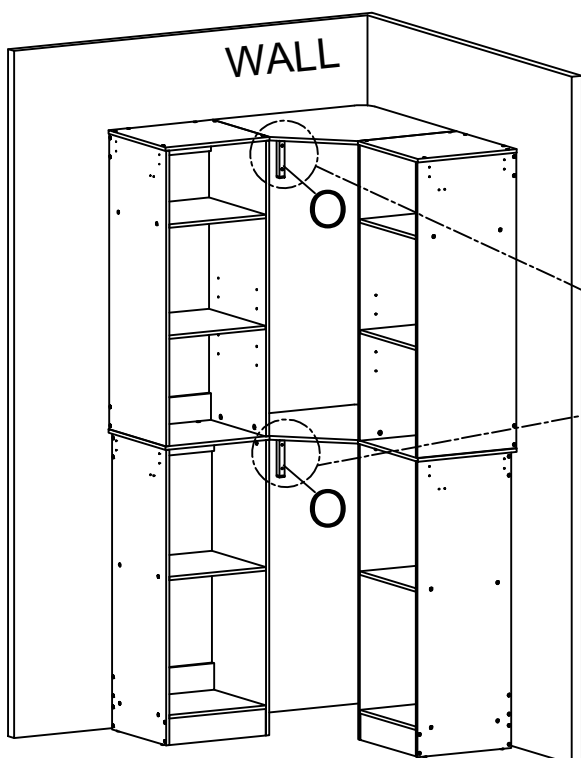
## STEP 10

### Corner Shelf Installation



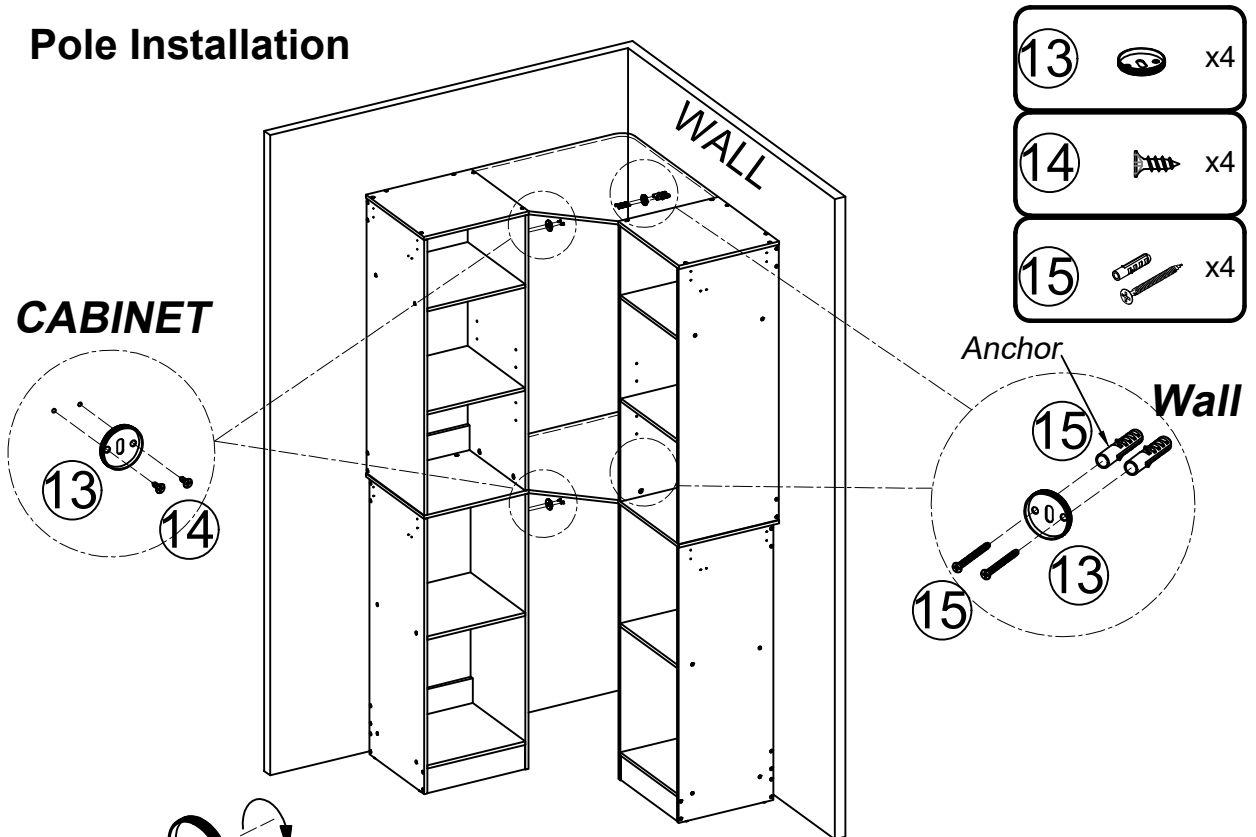
## STEP 11

### Shelf Support Installation



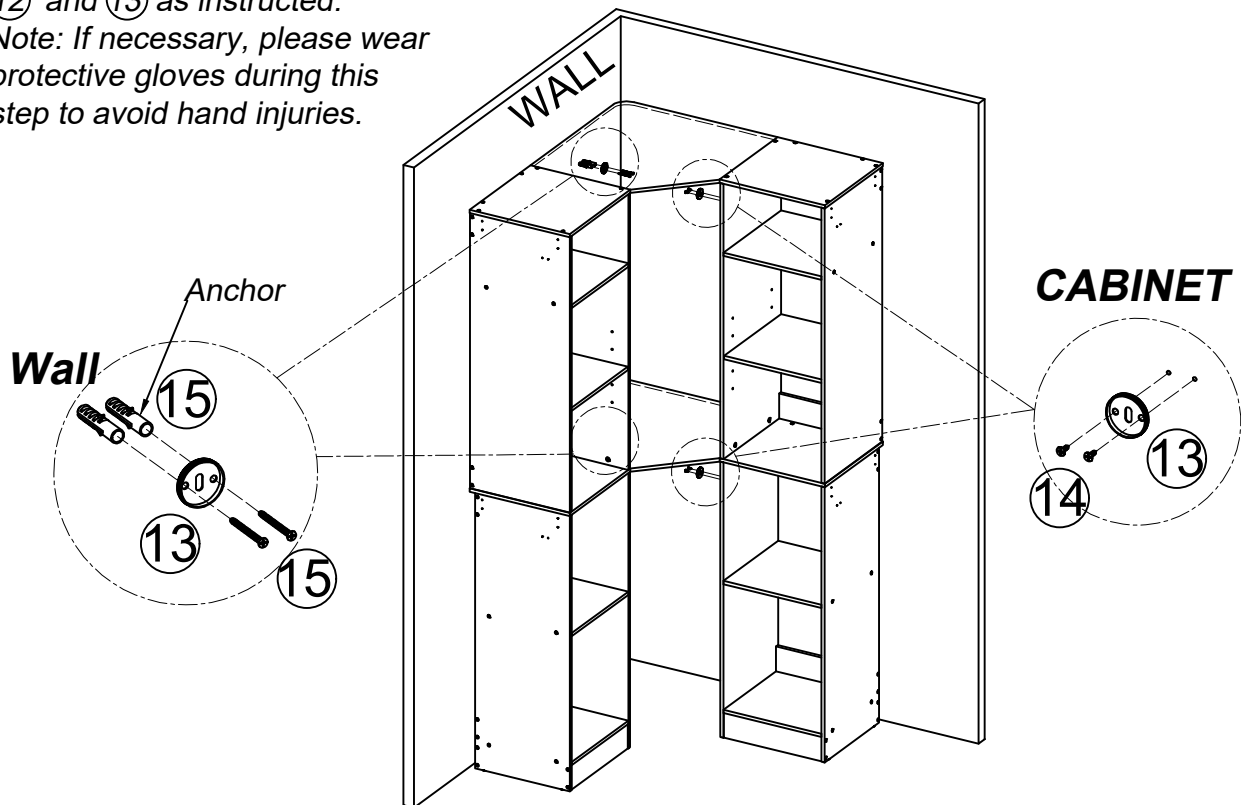
# STEP 12

## Pole Installation



# OR

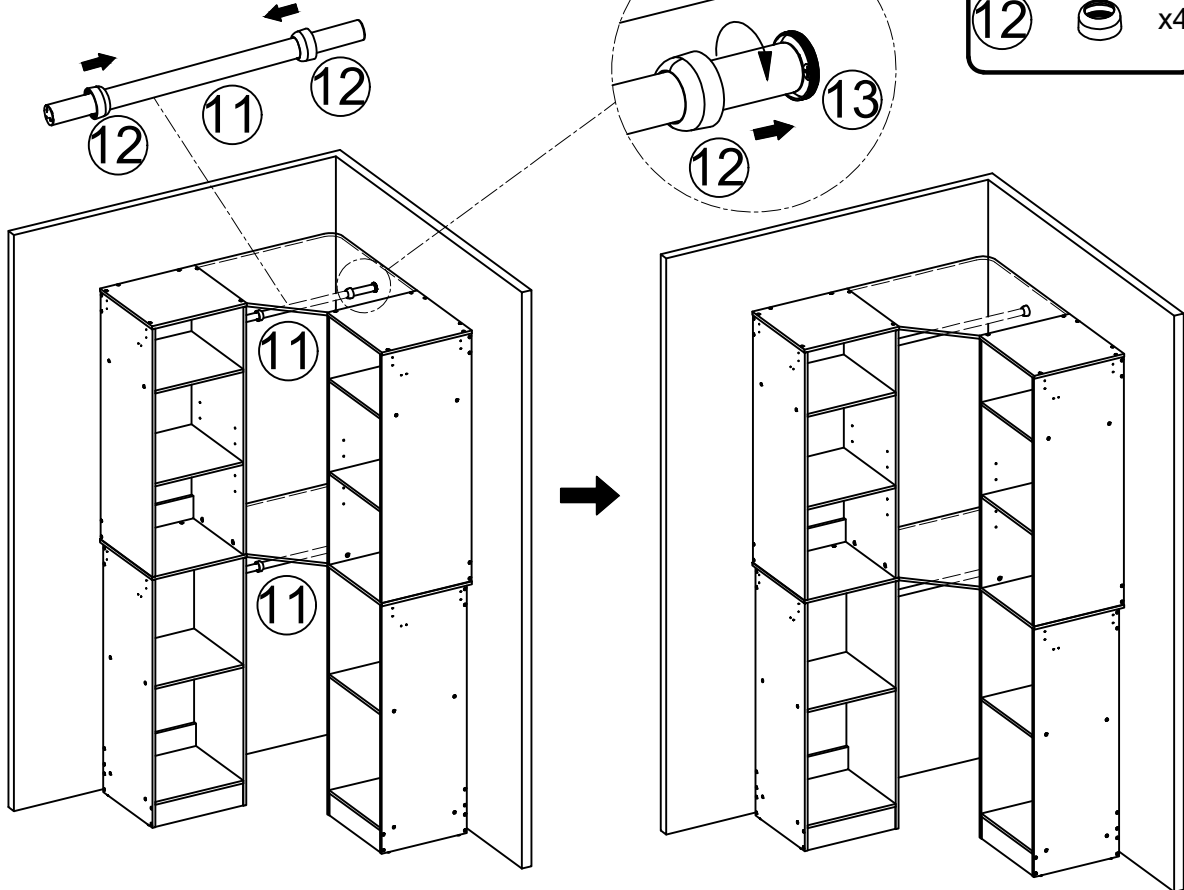
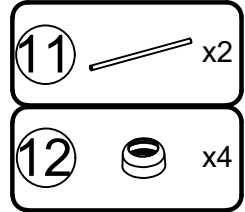
Please rotate and remove parts 12 and 13 as instructed.  
Note: If necessary, please wear protective gloves during this step to avoid hand injuries.



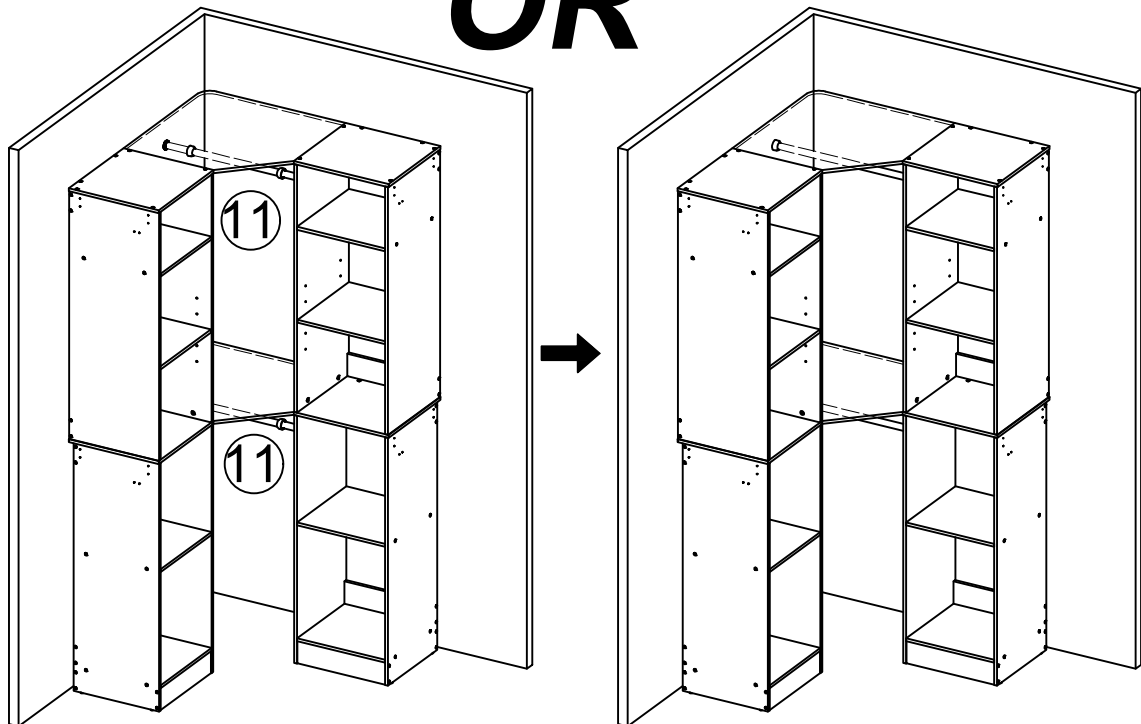
## STEP 13

Please slide part (12) onto the rod part (11) with the threads facing outwards.

reinstall part (12) to part (13).

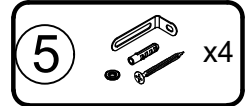


# OR



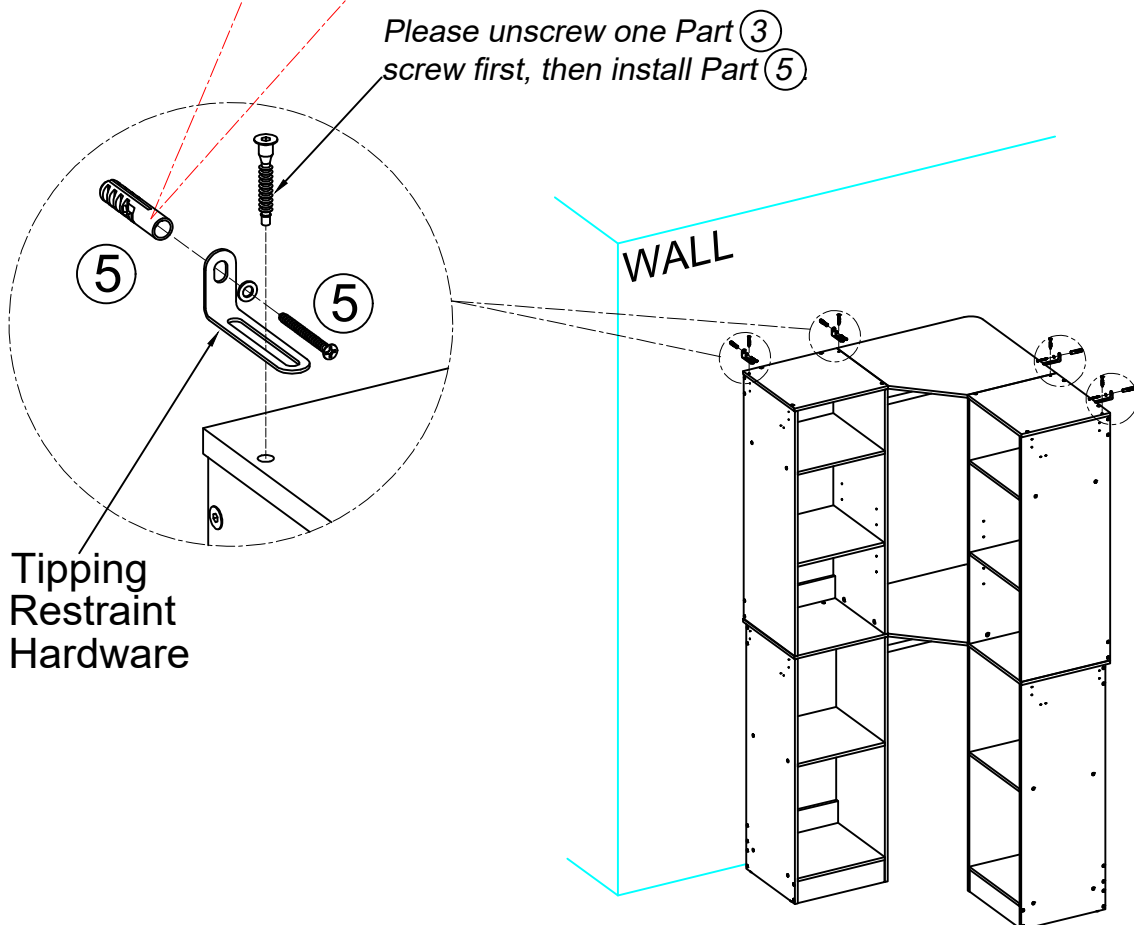
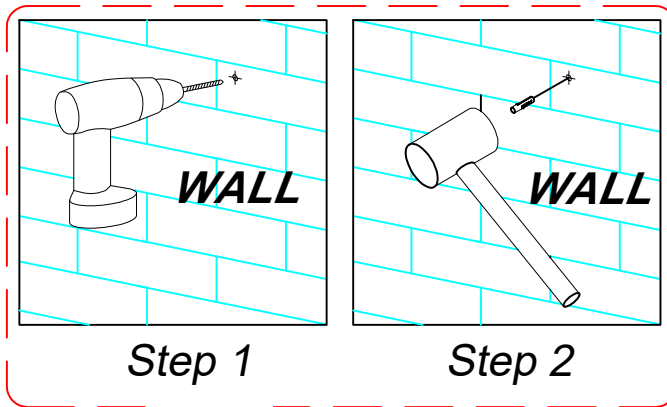
## STEP 14

### TIPPING RESTRAINT HARDWARE



**Note:** We have included four Tipping Restraint Hardware set for this Unit. When properly installed, this restraint can provide protection against the unexpected tipping of the Unit due to small tremors, bumps or climbing. We strongly recommend mounting this hardware to a wall stud and your Unit.

**Note:** You must install the Tipping Restraint Hardware with the unit in use to prevent any accidents or damage to the unit.



Tipping Restraint Hardware