

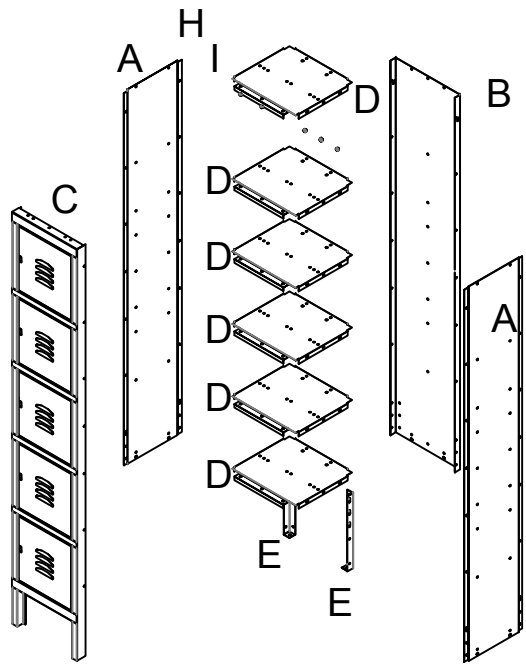
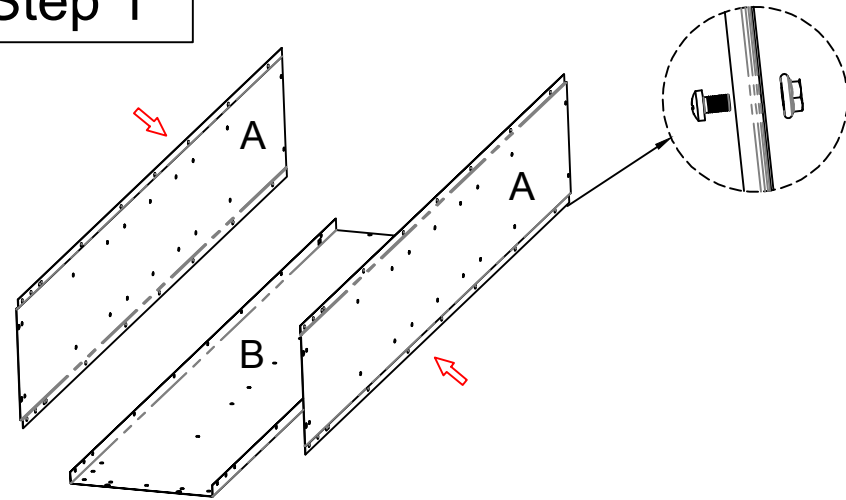


Spare parts list			
H		x80	
I		x80	

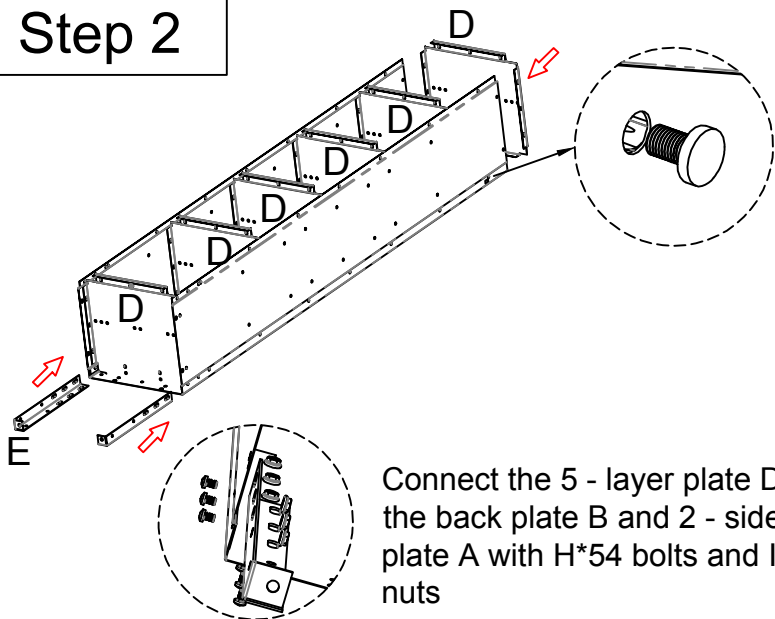


### Step 1



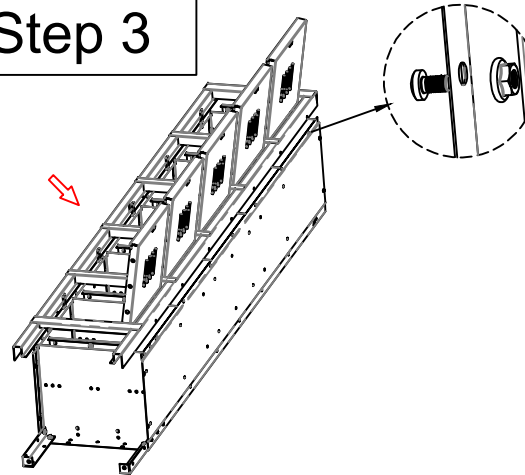
Connect 2 side plate A with H\*12 bolt and I\*12 nut and back plate B

### Step 2



Connect the 5 - layer plate D with the back plate B and 2 - side plate A with H\*54 bolts and I\*54 nuts

### Step 3



Connect front frame C with H\*14 bolts and I\*14 nuts and 2 side plates A

### Step 4

